

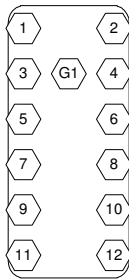
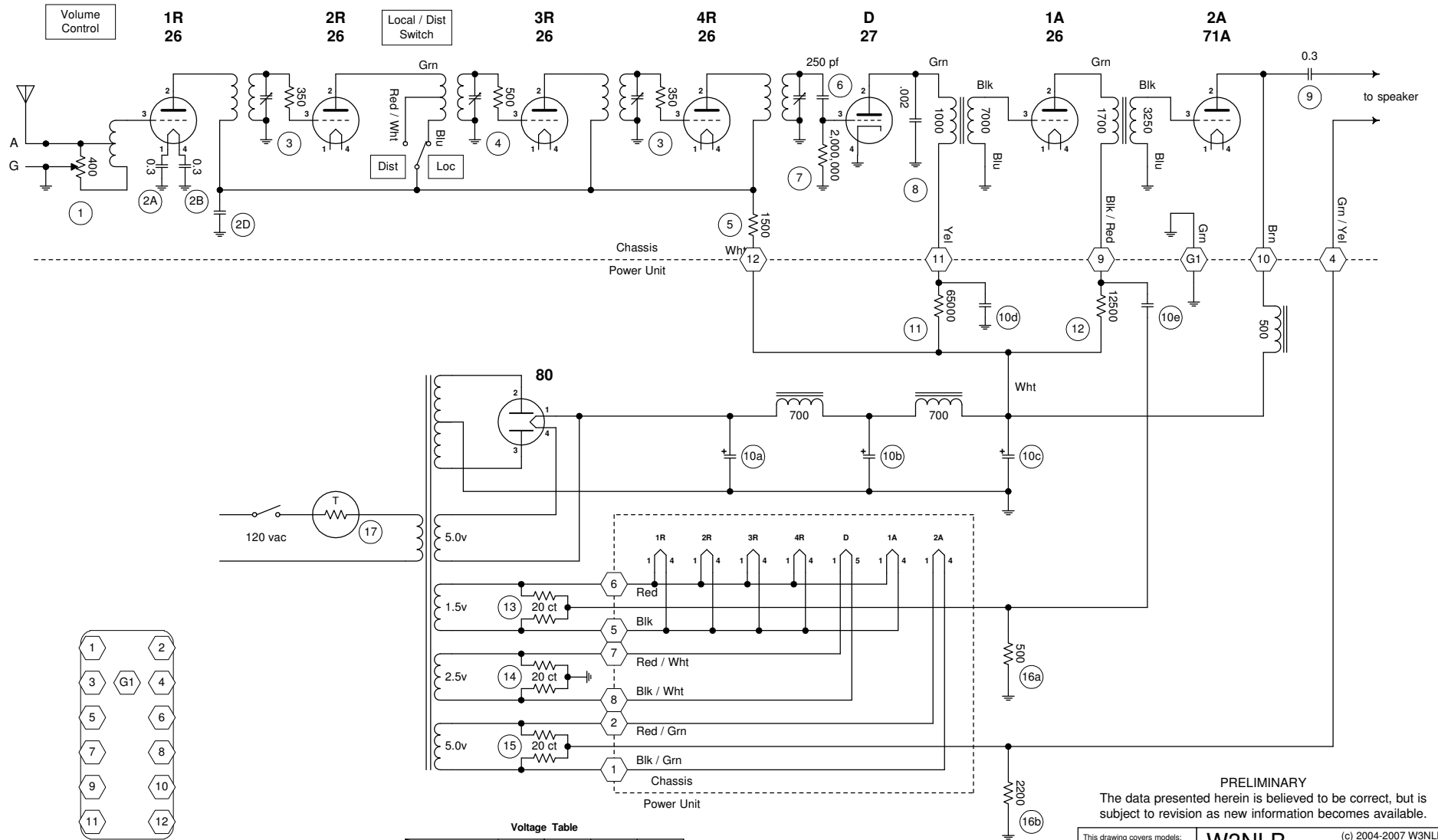
REF	PART NO.	VALUE	DESCRIPTION
1	13604	400	Volume control
2A	15158	0.3 / 200v	RF filament bypass
2B	15158	0.3 / 200v	RF filament bypass
2C	15158	0.2 / 400v	(not used)
2D	15158	0.05 / 400v	RF B+ bypass
3	8439	350	2R and 4R grid resistor
4	8225	500	3R grid resistor
5	16253	1500	RF plate circuit resistor
6	8112	250 pfd / 500v	Det. grid condenser
7	15892	2 Meg	Det. grid leak
8	9598	0.002 / 500v	Phone condenser
9	14902	0.3 / 450v	Speaker filter condenser

The following components are located in the Power Unit

10a	14247	1.0 / 450v <sup>1</sup>	Filter condenser #1
10b	14247	1.0 / 450v <sup>1</sup>	Filter condenser #2
10c	14247	1.5 / 450v <sup>1</sup>	Filter condenser #3
10d	14247	0.5 / 350v <sup>1</sup>	Detector filter condenser
10e	14247	0.5 / 350v <sup>1</sup>	1st AF bypass condenser
11	15592	65,000	Detector plate resistor
12	15941	12,500	1st AF plate resistor
13	9434	20 ct	RF-1st AF filament shunt resistor
14	9434	20 ct	Detector filament shunt resistor
15	9434	20 ct	2nd AF filament shunt resistor
16	13756	500 & 2200	RF-1st AF bias & 2nd AF bias
17	13755	21 (cold)	AC line regulator (ballast) <sup>2</sup>

**Notes**  
1 - Values from 2nd type of PU (with removable condenser block).  
2 - Ballast is not used in Model 45.

REV	DATE	DESCRIPTION
F	23 Mar 2007	Corrected the value of the 3R grid resistor.
E	30 Mar 2004	Corrected the resistance of the two filter chokes.
D	10 Jan 2004	Changed PU terminal designators to agree with Ken Owens' OTB article.
C	10 Jan 2004	Changed part designators to include bypass caps in the removable capacitor block.
REVISIONS		



Cable End  
PU Connector  
Top View

Element	Tube	1-4R	D	1A	2A
Plate		170±10	45	155	180
Grid		-13		-13	-45

All voltages measured from tube -F with volume at maximum. Taken with 1000 ohm-per-volt meter at 120 volt line. Reduce by 9% for 110 volt line.

**NOTE**  
This schematic is 11 x 21 inches. The 300 dpi GIF should print legibly on 8½ x 11 or 8½ x 14 paper.

PRELIMINARY  
The data presented herein is believed to be correct, but is subject to revision as new information becomes available.

This drawing covers models: 44 9900 45 9880		<b>W3NLB</b>		(c) 2004-2007 W3NLB All Rights Reserved	
<b>Atwater Kent Models 44 &amp; 45</b>					
<b>Schematic Diagram</b>					
Drawn by: Leigh Bassett W3NLB	Size B	FSCM NO	DWG NO AK09900SCH	REV F	
Date: 23 Mar 2007	SCALE		SHEET	1 OF 1	