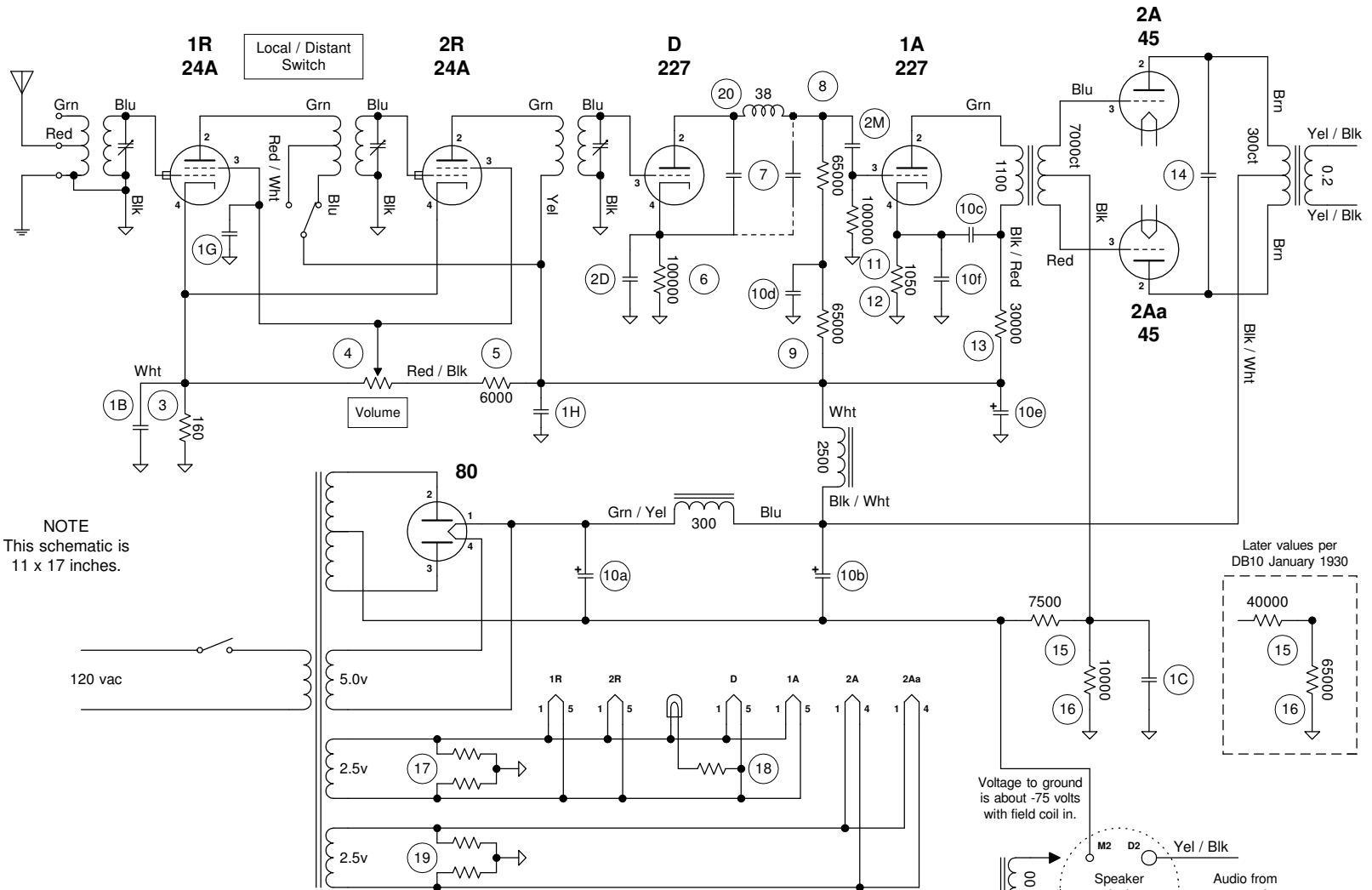
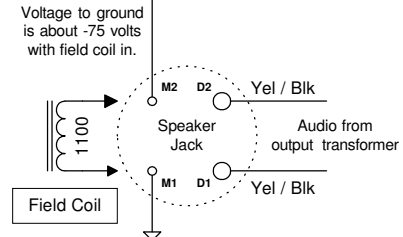
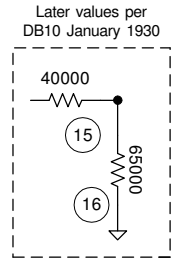


| REF | PART NO. | VALUE | DESCRIPTION |
|-----|---------------------|-------------|--|
| 1B | 15262 (H-1) | 0.1 / 150v | RF bias bypass |
| 1C | 15262 (H-1) | 0.1 / 150v | 2nd AF bias bypass |
| 1G | 15262 (H-1) | 0.1 / 400v | Screen grid bypass |
| 1H | 15262 (H-1) | 0.1 / 400v | RF plate circuit bypass |
| 2D | 15263 (H-2) | 0.3 / 150v | Det bias bypass |
| 2M | 15263 (H-2) | .075 / 400v | Det 1st AF coupling condenser |
| 3 | 16988 | 160 | RF bias resistor |
| 4 | 14250 | 6000 | Volume control |
| 5 | Purple | 6000 | Bleeder |
| 6 | Blue | 100,000 | Det bias resistor |
| 7 | 14072(15792) | .002 / 400v | Phone condenser single (double) ¹ |
| 8 | Black | 65,000 | Det coupling resistor |
| 9 | Black | 65,000 | Det filter resistor |
| 10a | 14340 | 2 / 450v | Filter condenser #1 |
| 10b | 14340 | 2.3 / 450v | Filter condenser #2 |
| 10c | 14340 | 0.5 / 400v | 1st AF filter condenser |
| 10d | 14340 | 1.0 / 400v | Det filter condenser |
| 10e | 14340 | 2.3 / 450v | Filter condenser #3 |
| 10f | 14340 | 0.1 / 400v | 1st AF bias bypass |
| 11 | Red - Blue | 100,000 | 1st AF grid leak |
| 12 | 15660 | 1050 | 1st AF bias resistor |
| 13 | Gray | 30,000 | 1st AF filter resistor |
| 14 | Note 2 | 0.01 / 600v | Quality condenser |
| 15 | Yellow ³ | 7,500 | 2nd AF bias resistor #2 |
| 16 | Maroon ³ | 10,000 | 2nd AF bias resistor #1 |
| 17 | 17077 | 5 + 5 | Filament shunt resistor |
| 18 | 15747 | 2 | Dial light resistor |
| 19 | 17077 | 5 + 5 | Filament shunt resistor |
| 20 | 15271 | - | Det plate choke |

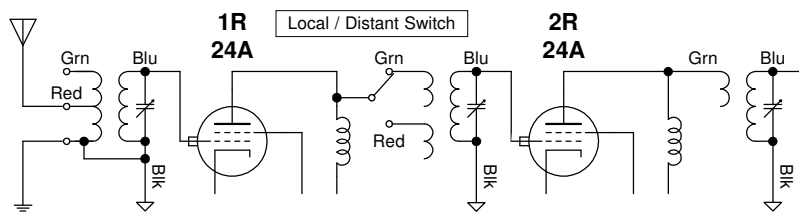
Notes
1 - Phone condenser was single or double; double shown in dotted lines.
2 - Quality condenser is mounted inside the audio output transformer.
3 - White 40,000 replaced Yellow, Black 65,000 replaced Maroon as a pair.



NOTE
This schematic is 11 x 17 inches.



PRELIMINARY
The data presented herein is believed to be correct, but is subject to revision as new information becomes available.



Detail of shunt-fed transformers used in some early sets. The primary is capacitively coupled to the secondary.

| Element \ Tube | 1R | 2R | D | 1A | 2A |
|----------------|-----|-----|-----|----|-----|
| Plate | 175 | 175 | 110 | 70 | 235 |
| Screen | 85 | 85 | | | |
| Grid | -3 | -3 | -12 | -2 | -42 |

All voltages measured from tube cathode (-F for 2A & 2Aa), volume at maximum. Taken with 1000 ohm-per-volt meter at 120 volt line. Reduce by 9% for 110 volt line.

This drawing covers models: 55 14900 below 3,380,001 55C 14800 below 4,140,001

W3NLB (c) 2003-2007 W3NLB All Rights Reserved

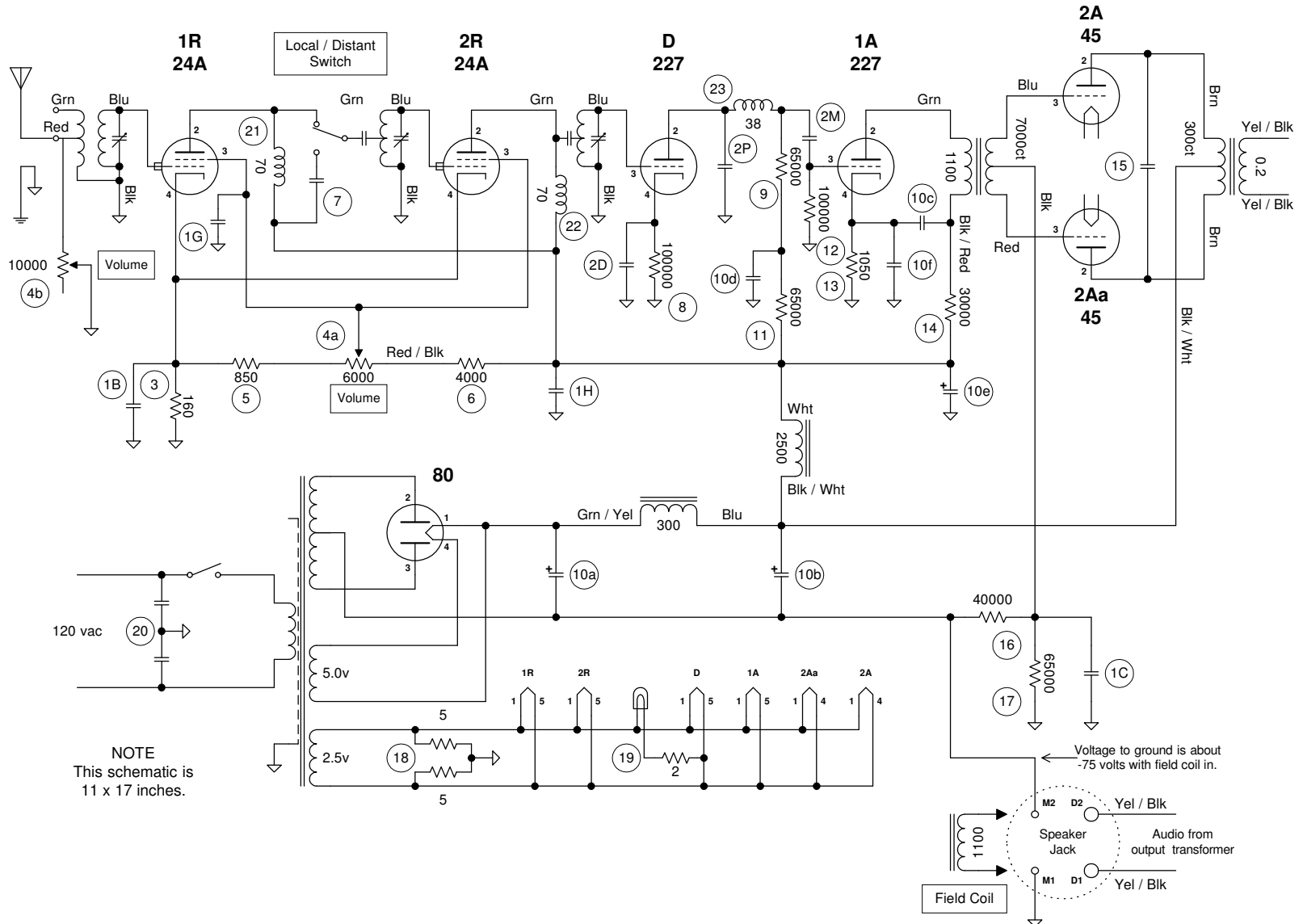
Atwater Kent Model 55 & 55C (early)

Schematic Diagram

Drawn by: Leigh Bassett W3NLB Size: B FSCM NO: DWG NO: AK14900SCH REV: I

Date: 15 Feb 07 SCALE: SHEET: 1 OF 1

| REF | PART NO. | VALUE | DESCRIPTION |
|-----|-------------|----------------|-------------------------------|
| 1B | 15262 (H-1) | 0.1 / 150v | RF bias bypass |
| 1C | 15262 (H-1) | 0.1 / 150v | 2nd AF bias bypass |
| 1G | 15262 (H-1) | 0.1 / 400v | Screen bypass |
| 1H | 15262 (H-1) | 0.1 / 400v | RF plate circuit bypass |
| 2D | 16745 (H-7) | 0.3 / 150v | Det bias bypass |
| 2M | 16745 (H-7) | .075 / 400v | Det 1st AF coupling condenser |
| 2P | 16745 (H-7) | 250 pfd / 400v | Phone condenser |
| 3 | 16988 | 160 | RF bias resistor |
| 4 | 15160 | 6000 / 10000 | Volume control |
| 5 | 16989 | 850 | Bleeder Resistor #2 |
| 6 | 16295 | 4,000 | Bleeder Resistor #1 |
| 7 | 16788 | 28 pfd | Loc/Dist switch condenser |
| 8 | Blue | 100,000 | Det bias resistor |
| 9 | Black | 65,000 | Det coupling resistor |
| 10a | 14340 | 2 / 450v | Filter condenser #1 |
| 10b | 14340 | 2.3 / 450v | Filter condenser #2 |
| 10c | 14340 | 0.5 / 400v | 1st AF filter condenser |
| 10d | 14340 | 1.0 / 400v | Det filter condenser |
| 10e | 14340 | 2.3 / 450v | Filter condenser #3 |
| 10f | 14340 | 0.1 / 400v | 1st AF bias bypass |
| 11 | Black | 65,000 | Det filter resistor |
| 12 | Red - Blue | 100,000 | 1st AF grid leak |
| 13 | 15660 | 1050 | 1st AF bias resistor |
| 14 | Gray | 30,000 | 1st AF filter resistor |
| 15 | Note 1 | 0.01 / 600v | Quality condenser |
| 16 | White | 40,000 | 2nd AF bias resistor #2 |
| 17 | Black | 65,000 | 2nd AF bias resistor #1 |
| 18 | 17077 | 5 + 5 | Filament shunt resistor |
| 19 | 15747 | 2 | Dial light resistor |
| 20 | 16828 (B-5) | 2 x .01 / 450v | Line bypass condenser |
| 21 | 16659 | 10 mHy | RF Plate Choke #1 |
| 22 | 16659 | 10 mHy | RF Plate Choke #2 |
| 23 | 15271 | - | Det plate RF choke |



Notes
 1 - Quality condenser is mounted inside the audio output transformer.
 2 - Part number is believed to be correct but unconfirmed.

Voltage Table

| Element \ Tube | 1R | 2R | D | 1A | 2A |
|----------------|-----|-----|-----|----|-----|
| Plate | 175 | 175 | 110 | 70 | 235 |
| Screen | 85 | 85 | | | |
| Grid | -3 | -3 | -12 | -2 | -42 |

All voltages measured from tube cathode (-F for 2A & 2Aa), volume at maximum.
 Taken with 1000 ohm-per-volt meter at 120 volt line. Reduce by 9% for 110 volt line.

PRELIMINARY
 The data presented herein is believed to be correct, but is subject to revision as new information becomes available.

| | | | |
|--|------------|------------------------|--|
| This drawing covers models: 55 14900 above 3,380,001 55C 14800 above 4,140,001 | | W3NLB | (c) 2003-2007 W3NLB All Rights Reserved |
| Atwater Kent Model 55 & 55C (late) | | | |
| Schematic Diagram | | | |
| Drawn by: Leigh Bassett W3NLB | Size: B | FSCM NO: AK14901SCH | DWG NO: REV K |
| Date: 15 Feb 2007 | SCALE: | SHEET | 1 OF 1 |