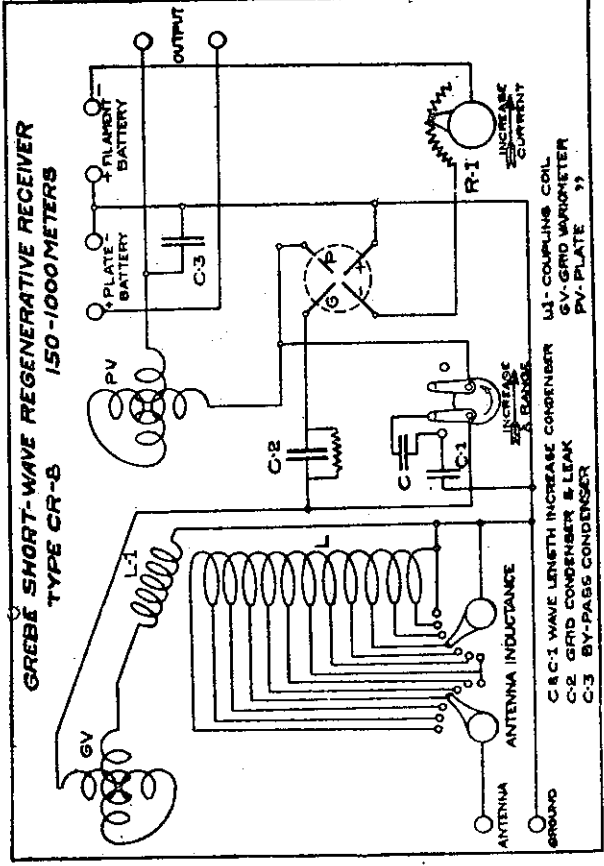
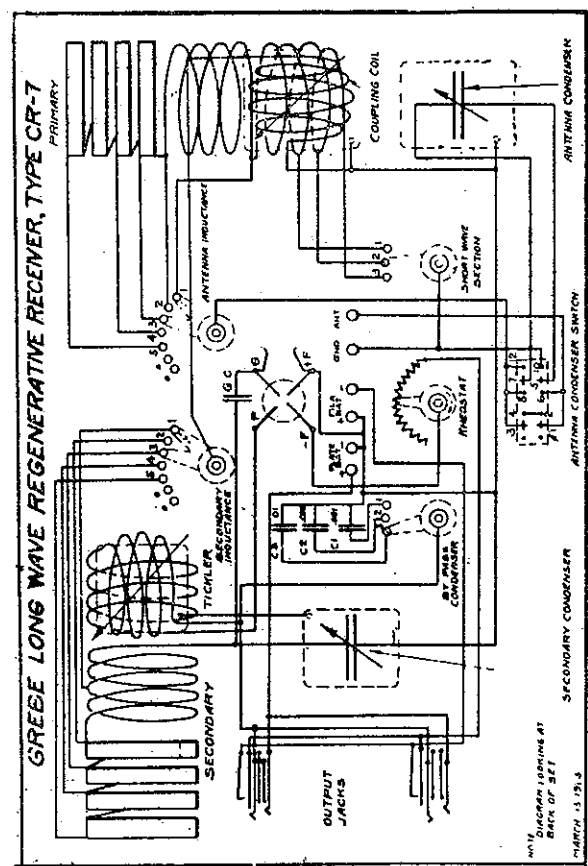
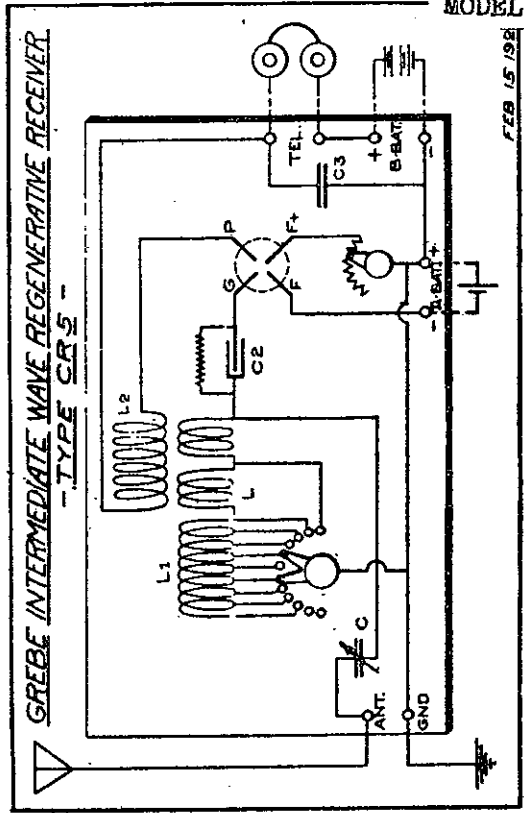
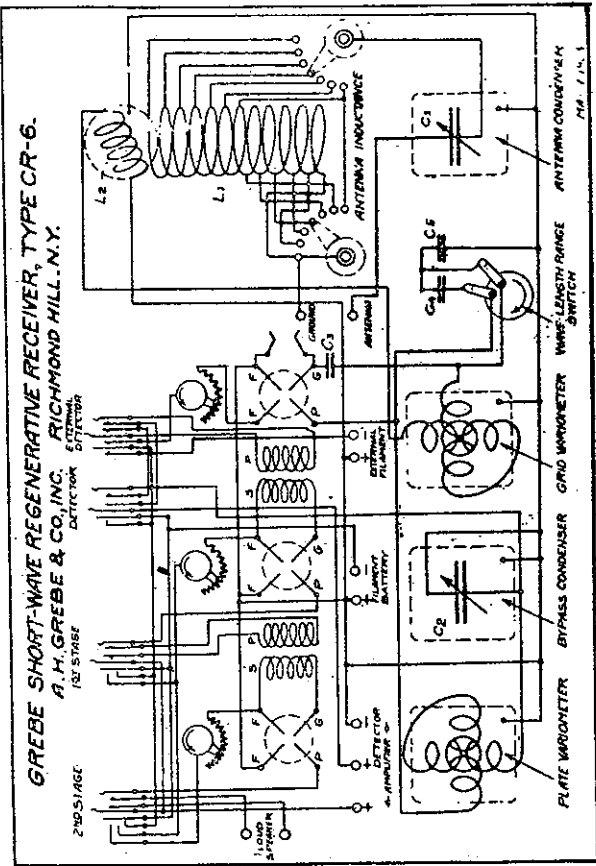


A. H. GREBE & CO.

- MODEL CR-5
- MODEL CR-6
- MODEL CR-7
- MODEL CR-8



F. 29 15 1936

NOTE: DIAGRAM IS DRAWING AT BACK OF SET MARCH 11, 1934