



**72B27LDML**

**PARTS  
MANUAL**

# Table of Contents

---

General Information	
Encore Warranty Information .....	<b>3</b>
72B27LDML Quick Reference Sheet.....	<b>4</b>
Deck Components .....	<b>5</b>
Mainframe Components .....	<b>10</b>
Seatframe Components .....	<b>14</b>
Hydraulics Components.....	<b>18</b>
Electrical Components.....	<b>21</b>
Wire Harness.....	<b>23</b>
Engine Wire Harness.....	<b>24</b>
Decal List .....	<b>25</b>
Notes .....	<b>27</b>



## **WARNING:**

THE ENGINE EXHAUST FROM THIS PRODUCT CONTAINS CHEMICALS KNOWN IN THE STATE OF CALIFORNIA TO CAUSE CANCER, BIRTH DEFECTS OR OTHER REPRODUCTIVE HARMS.

### **IMPORTANT:**

A separate Engine Owner's Manual is included with your owner's packet which contains additional engine information that will not be repeated in this manual. You are urged to read it before attempting any operation or repair of the engine. Engine Owner's Manual covers the engine manufactures warranty.

# ENCORE WARRANTY

## WHAT IS COVERED BY THIS WARRANTY

This warranty extends to the original retail purchaser only and commences on the date of original retail purchase of All Encore "Premier", "X-treme", and "Prowler" Series:

1. Residential use: The warranty will be **Two years from the date of purchase and 90 days for rental use** against defects in workmanship and materials for any Encore rider that is used for consumer purpose. Normal residential use means use of product on owners' property only.
2. Commercial use: The warranty will be **Two year from the date of purchase and 90 days for rental use** against defects in workmanship and materials for any Encore rider that is used for commercial purpose.
3. If the Purchaser discovers within this warranty period a defect in materials or workmanship:
  - Purchaser must promptly notify an Authorized Encore Dealer and return the mower, including any defective parts, to an Authorized Encore Service Dealer.
  - Encore Mfg. Co. Inc. will determine if material or workmanship is defective and then either repair or replace such parts.
  - Service calls and/or transportation expense of the product to and from the authorized dealer, for warranty work, will be paid by the owner of the product.
4. Encore Mfg. Co., Inc. provides a limited warranty for **90 days from the date of purchase** against defects in workmanship and materials for all parts, excluding **over the counter electrical parts and blades**.
5. The Deck Shell warranty is **Ten years from the date of purchase** against defects in workmanship and materials for any Encore rider that is used for consumer and commercial use only.
6. **NOTICE:** Cutter housings, electrical components, hydraulic components and electric-clutch must be returned before warranty will be paid.
7. **The engine warranty is covered by its respective manufacturer.** Please refer to the manufacture's warranty statement in the manufacture's engine manual that is included in the literature packet. **Engine warranties should be referred to the nearest authorized service outlet of the engine manufacturer.**

Encore Mfg. Co., Inc. reserves the right to change or improve the design of any mower without assuming any obligation to modify any mower previously manufactured.

## WHO MUST PERFORM THE WARRANTY SERVICE

All warranty service will be performed by dealers authorized by Encore Mfg., Co., Inc. Service calls and/or transportation expense of the product to and from the authorized dealer, for warranty work, will be paid by the owner of the product. For warranty service you can contact an authorized dealer or contact:

Encore Mfg., Co., Inc.  
PO Box 888  
Beatrice, Nebraska 68310  
1-800-267-4255  
www.seriousred.com

## WHAT IS NOT COVERED BY THIS WARRANTY

Encore Mfg., Co., Inc. does not warranty:

- Repairs made by unauthorized persons.
- Damage caused by use of the Encore equipment for purposes other than those for which it was designed

- Damages caused by disasters such as fire, flood, wind, and lightning.
- Damages caused by neglect, abuse, abnormal use, improper or unreasonable use, accident, negligence or misuse.
- Repairs or replacement resulting from the use of unauthorized parts, accessories or attachments.
- Repairs or replacement as the result of any alterations or modifications, in the determination of Encore, which adversely affects the operation, performance or durability of the equipment.
- Encore unit which has the serial number removed or made illegible.
- Depreciation or damage caused by normal wear, lack of reasonable and proper maintenance or failure to follow the product's owner's manual provided by Encore Mfg. Co., Inc.
- Normal maintenance parts and service including, but not limited to: filters, fuel, lubricants, tune-up parts, belts, blades, blade sharpening, brake or steering adjustments.
- Repairs necessary due to improper fuel, contaminates in the fuel system, or failure to properly prepare the fuel system prior to any period of non-use over three months.

## LIMITATION OF REMEDIES

In no case shall Encore Mfg., Co., Inc., be liable for any special, incidental, or consequential damages based upon breach of warranty, breach of contract, negligence, strict liability in tort, or any other legal theory.

Such damages include, but are not limited to

- Loss of profits
- Loss of savings or revenue
- Loss of use of Encore mower or any associated equipment
- Cost of capital
- Cost of any substitute equipment, facilities, services, or downtime
- The claims of third parties including customers, and injury to property
- Some states do not allow the exclusion or limitation of incidental or consequential damages, so the above limitation or exclusion may not apply to you.

## OWNER'S RESPONSIBILITY

You must maintain your Encore Product following the maintenance procedures described in your owner's manual. Such routine maintenance, whether performed by a dealer or by you, is at your expense.

This machine, like any other powered equipment, is potentially dangerous unless properly operated. Any operator must be cautious and keep safety in mind at all times. Any operator, prior to using the Encore equipment, should thoroughly familiarize himself with the owner's manual regarding operation and safety of the machine, as well as all safety warnings on the machine itself.

**ENCORE MFG. CO., INC. CANNOT BE RESPONSIBLE FOR THE WAY YOU OPERATE, OR THE CONDITIONS IN WHICH YOU OPERATE THE MOWER. USE COMMON SENSE AT ALL TIMES.**

## WARRANTY REGISTRATION

1. The Warranty registration form MUST be completed and forwarded to Encore Mfg., Co., Inc., within fifteen days following date of purchase.
2. The date of purchase constitutes delivery.

Encore Mfg. Co., Inc. does not assume or authorize anyone to assume for them any other obligation.

# General Information

## Quick Reference Sheet

### 72B27LDML

#### Engine

26.5hp Briggs & Stratton Daihatsu diesel 582447-0219

#### Blades

583287 25" offset blade

#### Belts

583153 blade drive belt  
593219 pump drive belt  
523374 clutch belt

#### Tires

583055 wheel/tire assy  
583059 drive tire (24x12x12)  
583058 rim w/ valvestem  
N/A knobby tire assy  
N/A knobby tire  
583487 bar lug tire (23x10.5x12)  
823220 front caster complete  
823339 tire (13x6.5x6 front caster)  
823338 front rim w/ valvestem

#### Spindles

583106 spindle assy comp.  
583111 housing  
363350 bearing  
583112 shaft  
583113 brg. Spacer tube

#### Transmission

593211 wheel motor TL0280US080AAWM **Seal Kit # 593217**  
593210 hydro pump H1A14A4021DDAAA **Seal Kit # 593215**  
583166 gearbox (model 211)  
583513 gasket/shim kit - gearbox  
583512 shaft seal kit - gearbox  
423361 hydro filter

#### PTO shaft

593064 complete shaft  
583481 yoke tube  
593075 yoke shaft  
523414 1" yoke  
823372 3/4" yoke  
523415 cross bearing  
583271 1" power shaft (12.5")

#### Engine Base

582165

#### Throttle

593045

#### Choke

N/A

#### Muffler

Briggs & Stratton Daihatsu

#### Muffler Gasket

N/A

#### Clutch

583308

#### Torque Specs

65 ft-lbs blade bolt  
90 ft-lbs nut on top of spindle  
50 ft-lbs clutch bolt  
250-300 ft-lbs wheel motor axle nut

#### Pulleys

483025 tensioner pulley-clutch  
823351 tensioner pulley-pump belt  
523329 tensioner pulley-blade drive belt  
523507 pump pulley  
583107 pulley-blade spindle  
583162 stationary idler pulley-back  
373068 stationary idler pulley-front  
583447 gearbox pulley  
523507 pulley-power shaft  
583200 pump drive pulley

#### Front Caster Bearings

363187 1" flange bearing

#### Brakes

583038 RH brake caliper  
583039 LH brake caliper  
583511 brake pad kit

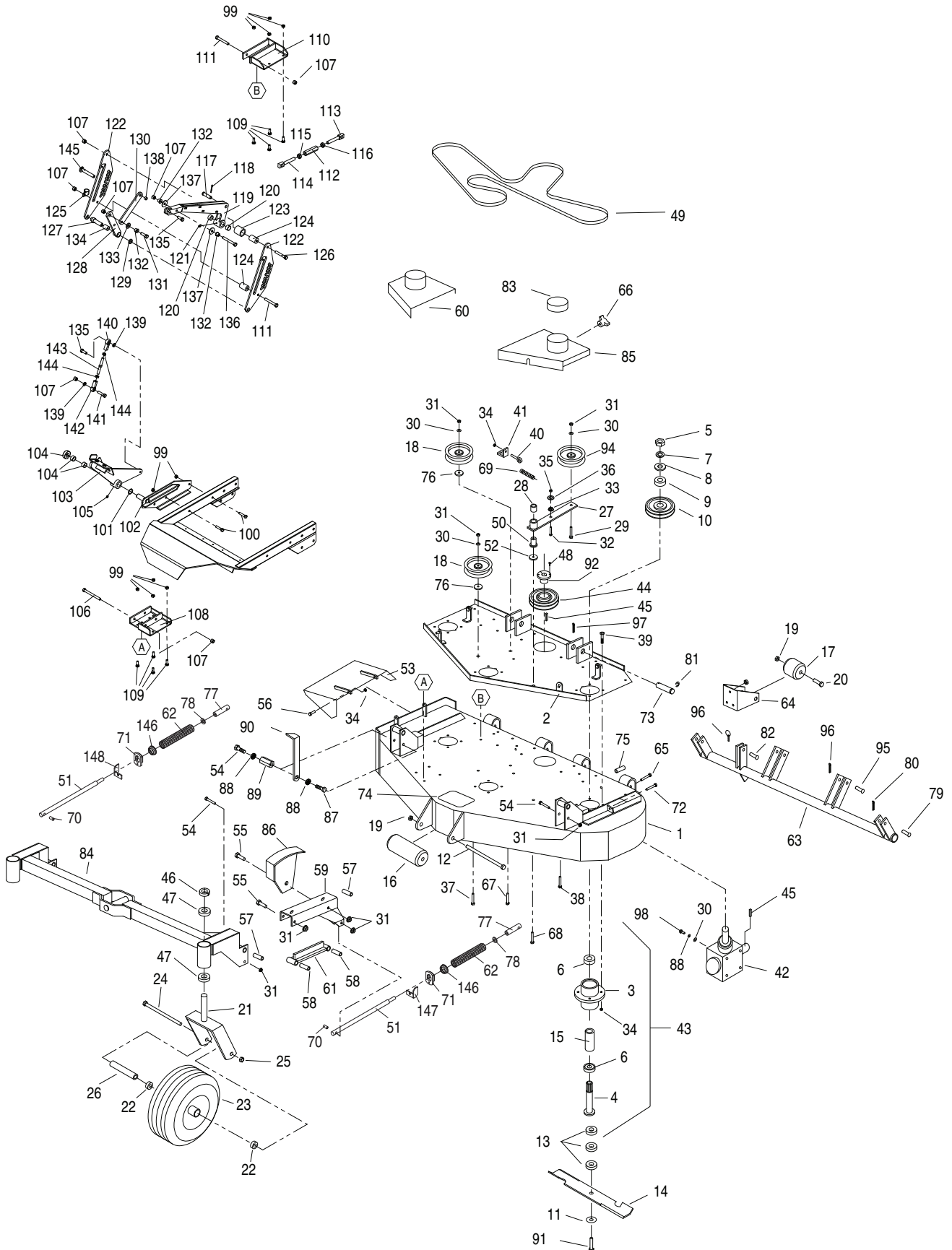
#### Seat

583519 full suspension seat  
583077 seat complete w/ tracks  
583089 seat cushion  
583090 back cushion  
593097 molded arm rest

#### Electrical Components

593051 wire harness  
N/A safety module  
583276 engine wire harness  
583423 time delay module  
523042 relay  
423027 igniton switch  
N/A starter relay  
523034 park brake switch  
593041 neutral switch  
523031 PTO switch  
523030 seat switch  
523283 hour meter  
823194 alarm

# Deck Components



# Deck Components

#	PART NO.	QTY	DESCRIPTION
1	582096	1	72" MC DECK WELDMENT
2	582098	1	72" DECK CHANNEL
3	583111	3	SPINDLE HOUSING
4	583112	3	SPINDLE SHAFT
5	104511	3	3/4"-16 HEX NUT
6	363350	6	BEARING - BLADE SPINDLE
7	105010	3	3/4" LOCK WASHER
8	105269	3	3/4" SAE FLAT WASHER
9	583110	3	PULLEY SPACER
10	583107	3	PULLEY - SPINDLE 5 3/4"
11	583108	3	5/8" SPRING DISC WASHER
12	100351	1	5/8"-11 X 8 1/2" HEX BOLT
13	583109	9	BLADE SPACER
14	583287	3	25" OFFSET BLADE
15	583113	3	BEARING SPACER TUBE
16	603023	1	ANTI-SCALP ROLLER
17	523084	2	REAR DECK ROLLER
18	583162	2	6" FLAT IDLER
19	104261	3	5/8"-11 NYLOC NUT
20	100346	2	5/8"-11 X 4 1/2" HEX BOLT
21	822088	2	WIDE TAIL WHEEL STRUT
22	363187	4	1" BEARING
23	823220	2	WIDE TAIL WHEEL ( COMPLETE )
23A	823339	X	TIRE ( 13 X 6.5 X 6 )
23B	823338	X	FRONT RIM W/ VALVESTEM
24	100352	2	5/8"-11 X 9" HEX BOLT
25	104261	2	5/8"-11 NYLOC NUT
26	823245	2	AXLE TUBE (WTW)
27	822144	1	DECK IDLER ARM W/BUSHING
28	523111	1	3/4" PLASTIC BUSHING
29	107511	1	3/8"-16 X 2" CARRIAGE BOLT
30	105260	8	3/8" FLAT WASHER
31	104257	16	3/8"-16 NYLOC NUT
32	100275	1	5/16"-18 X 1 1/2" HEX BOLT
33	109001	2	5/16"-18 WHIZLOCK NUT
34	104256	36	5/16"-18 NYLOC NUT
35	109007	2	3/8"-16 WHIZLOCK NUT
36	105258	9	5/16" FLAT WASHER
37	107503	10	5/16"-18 X 3/4" CARRIAGE BOLT
38	107509	5	5/16"-18 X 1" CARRIAGE BOLT
39	100274	12	5/16"-18 X 1 1/4" HEX BOLT

# Deck Components

#	PART NO.	QTY	DESCRIPTION
40	363080	1	EYEBOLT - RIGHT
41	523094	1	SPRING MOUNT - DECK
42	583166	1	GEAR BOX LARGE
43	583106	3	BLADE SPINDLE ASSY
44	583447	1	6" TAPER LOCK SHEAVE
45	107255	1	3/16" X 1" KEY
46	363145	2	1" CLAMP COLLAR
47	363187	2	1" FLANGE BEARING
48	100252	6	1/4"-20 X 3/4" HEX BOLT
49	583153	1	72" DECK BELT
50	423175	1	PUMP IDLER PIVOT
51	583474	2	CASTER ROD
52	373089	1	3/8" RETAINING WASHER
53	582108	1	DEFLECTOR SHIELD 72"
54	100300	4	3/8"-16 X 3" HEX BOLT
55	100301	4	3/8"-16 X 3 1/4" HEX BOLT
56	100273	2	5/16"-18 X 1" HEX BOLT
57	823330	4	CASTER ARM PIVOT
58	823090	4	CASTER BAR PIVOT
59A	582053	1	LEFT HAND CASTER ARM
59B	582051	1	RIGHT HAND CASTER ARM
60	582100	1	RIGHT HAND BELT SHIELD
61	582059	2	CASTER BAR WELDMENT
62	823150	2	SPRING
63	582112	1	72" DECK TUBE WELDMENT
64	583074	2	ROLLER MOUNT
65	100298	2	3/8"-16 X 2 1/2" HEX BOLT
66	753028	4	KNOB
67	107516	2	3/8" X 2 1/4" CARRIAGE BOLT
68	107513	3	3/8"-16 X 3" CARRIAGE BOLT
69	593074	1	FLOATING IDLER SPRING
70	823153	2	SPACER - DECK
71	823159	2	SPRING SLIDE
72	100030	2	3/8"-16 X 3" TAP BOLT
73	823333	2	DECK ATTACH PIN
74	823200	1	STEP TREAD
75	823314	2	TUBE SADDLE SPACER
76	483017	2	RIGHT HAND IDLER SPACER
77	583472	2	CASTER ROD END
78	109025	2	5/8" HEAVY WASHER
79	823210	2	1/2" X 2" CLEVIS PIN

# Deck Components

#	PART NO.	QTY	DESCRIPTION
80	106763	2	1/8" COTTER PIN
81	108510	4	7/8" E-RING
82	823209	2	1/2" X 1 1/2" CLEVIS PIN
83	363161	3	BELT SHIELD CAP
84	582090	1	FRONT AXLE - 72MC
85	582102	1	BELT SHIELD LEFT HAND 72"
86	582176	1	CUT GAGE WELDMENT
87	100291	1	3/8"-16 X 3/4" HEX BOLT
88	105006	2	3/8" LOCKWASHER
89	583422	1	NUT-CUT GAGE
90	583420	1	POINTER CUT GAGE
91	100358	3	5/8"-11 X 2 1/4" HEX BOLT
92	363215	1	1" TAPER LOCK HUB
93	XXXXXX	X	XXXXXX
94	523329	1	FLOATING IDLER - FLAT
95	823211	2	1/2" X 2 1/2" RING PIN
96	106778	3	3/16" X 1 1/2" COTTER PIN
97	108001	2	3/16" QUICK PIN
98	100293	4	3/8"-16 X 1 1/4" HHCS
99	104256	10	5/16-18 NYLOC NUT
100	100275	2	5/16-18 X 1-1/2 HHCS
101	593161	1	WAVEY WASHER - 3/4
102	592074	1	PEDAL MOUNT WELDMENT
103	592085	1	FOOT LIFT PEDAL W/ BUSHING
104	363089	2	BRONZE BUSHINGS
105	111004	1	1/4-28 ZERK
106	100303	1	3/8-16 X 4 HHCS
107	104257	7	3/8-16 NYLOC NUT
108	592080	1	FRONT HEIGHT MOUNT WELDM'T
109	107509	8	5/16-18 X 1 CARR. BOLT
110	592078	1	REAR LIFT MOUNT WELDMENT
111	100299	2	3/8-16 X 2-3/4 HHCS
112	593168	1	1/2 TURNBUCKLE
113	593170	1	1/2 RH ROD EYE
114	593172	1	1/2 LH ROD EYE
115	109038	1	1/2-20 LH HEX JAM NUT
116	104755	1	1/2-20 HEX JAM NUT
117	593165	2	CLEVIS PIN - 1/2 X 1 1/2
118	106763	2	1/2 X 1 1/4 COTTER PIN
119	592117	1	LIFT ARM W/BUSHING
120	363089	2	BRONZE BUSHINGS



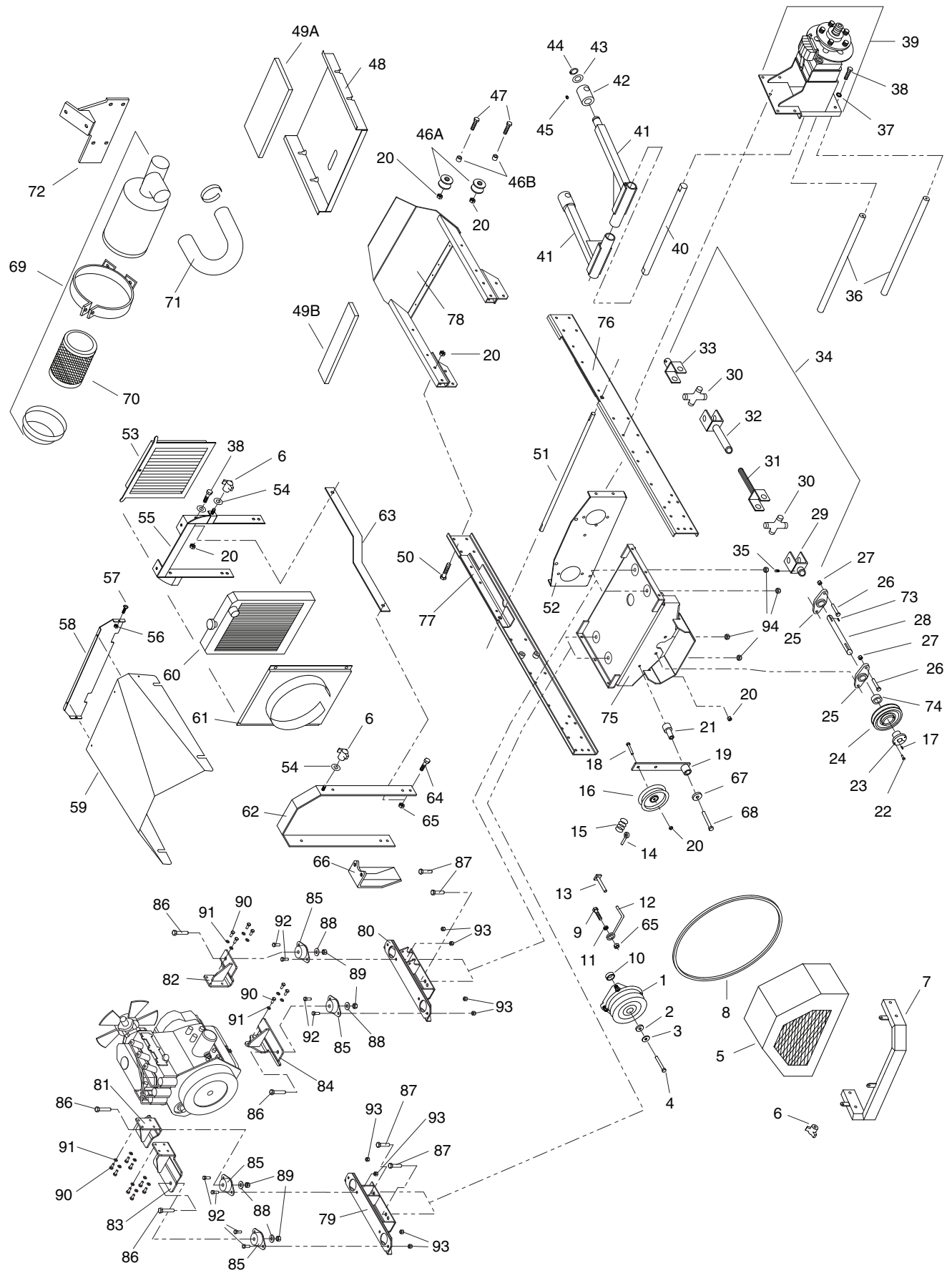
# Deck Components

#	PART NO.	QTY	DESCRIPTION
121	111004	1	1/4-28 ZERK
122	593138	2	CUTTING HEIGHT PLATE
123	593155	1	SPACER GRIP
124	593140	2	HEIGHT PLATE SPACER
125	603031	1	DRAIN CLAMP
126	100298	1	3/8-16 X 2-1/2 HHCS
127	593160	1	HEIGHT PLATE PIVOT
128	592082	1	LOWER SCISSOR ARM
129	363087	1	TRANSMISSION SHAFT SPACER
130	593146	1	UPPER SCISSOR ARM
131	100293	1	3/8-16 X 1-1/4 HHCS
132	123044	3	PIN BUSHING
133	593174	1	9/16 PLASTIC WASHER
134	253059	1	ENGAGEMENT BUSHING
135	100292	2	3/8-16 X 1 HHCS
136	100300	1	3/8-16 X 3 HHCS
137	753027	2	DISC SPRING WASHER
138	363174	1	EYE BOLT SPACER
139	105006	2	3/8 LOCK WASHER
140	593164	1	ROD END RHF 3/8
141	100294	1	3/8-16 X 1-1/2 HHCS
142	593163	1	ROD END 3/8
143	343158	1	FOOT PEDAL LINK
144	104754	2	3/8-24 HEX JAM NUT
145	109036	1	1/2 X 2 BALL LOCK PIN
146	593176	2	LIFT SPRING CUP
147	592092	1	CUP RETAINER - LEFT
148	592090	1	CUP RETAINER - RIGHT

**NOTES:**

- A     PREFORMANCE UPGRADE FOR DECK SPRING ASSY. REQUIRES ITEM 119. BOTH SIDES NEED BE UPGRADED AT THE SAME TIME.

# Mainframe Components



# Mainframe Components

#	PART NO.	QTY	DESCRIPTION
1	583308	1	CLUTCH - 200 FT/LBS
2	373089	1	RETAINER WASHER
3	423069	2	7/16" SPRING DISC WASHER
4	100534	1	7/16"-20 X 1 1/4" HEX BOLT
5	582157	1	CLUTCH COVER - IL3
6	753028	7	KNOB
7	582132	1	ENGINE GUARD
8	523374	1	CLUTCH BELT
9	100273	16	5/16"-18 X 1" HEX BOLT
10	823248	2	CLUTCH SPACER 9/32
11	105258	6	5/16" FLAT WASHER
12	363075	1	ROUND BELT GUIDE
13	582169	1	CLUTCH STOP
14	363080	1	RIGHT EYE BOLT
15	593074	1	IDLER SPRING HH
16	483025	1	RIGHT HAND IDLER PULLEY
17	107259	1	1/4" X 1/4" X 1" KEY
18	100294	6	3/8"-16 X 1 1/2" HEX BOLT
19	422025	1	TENSIONER W/BUSHING
X	523111	X	BUSHING ( SERVICE )
20	104257	32	3/8"-16 NYLOC NUT
21	823030	1	PUMP IDLER SUPPORT
22	100503	2	1/4" X 3/4" HEX BOLT
23	363215	1	TAPER LOCK HUB
24	523507	1	TAPER LOCK SHEAVE
25	823032	2	2-BOLT FLANGE BEARING
26	100311	4	7/16"-14 X 1 1/4" HEX BOLT
27	104258	4	7/16"-14 NYLOC NUT
28	583271	1	POWER SHAFT - MC - DSL
29	523414	1	1" YOKE
30	523415	2	CROSS & BEARING
31	593075	1	YOKE SHAFT
32	583481	1	YOKE TUBE
33	823372	1	3/4" YOKE
34	593064	1	DRIVE SHAFT MC
35	103295	2	3/8"-16 X 1/2" SET SCREW
36	823066	2	BRACE ROD - LOWER
37	105006	6	3/8" LOCK WASHER
38	100292	23	3/8"-16 X 1" HEX BOLT
39	XXXXXX	X	SEE HYDRAULIC ILLUSTRATION
40	823050	1	DECK ARM SHAFT

# Mainframe Components

#	PART NO.	QTY	DESCRIPTION
41	822036	2	DECK ARM
42	822090	2	DECK SWIVEL W/ZERK
43	823015	4	DECK ARM WASHER
44	108502	2	SNAP RING
45	111004	12	1/4"-28 GREASE ZERK
46	583464	2	FRONT ROLLER - MC
46A	583464	2	FRONT ROLLER
46B	583490	2	FRONT ROLLER TUBE
47	100298	2	3/8"-16 X 2 1/2" HEX BOLT
48	593078	1	FOOT PLATE
49A	583374	1	FOOT REST PAD LARGE
49B	583373	1	FOOT REST PAD SMALL
50	100295	4	3/8"-16 X 1 3/4" HEX BOLT
51	823140	1	PARK SHAFT
52	XXXXXX	X	SEE HYDRAULIC ILLUSTRATION
53	583301	1	RADIATOR SCREEN
54	105260	13	3/8" FLAT WASHER
55	582159	1	RADIATOR MOUNT
56	104252	15	#10-24 NYLOC NUT
57	101039	17	#10-24 X 5/8" SCREW
58	583010	1	FRONT ENGINE COVER - IL3
59	583296	1	ENGINE COVER
60	SEE NOTE A	1	RADIATOR ASSY.
61	583476	1	FAN SHROUD
62	582161	1	HOOD BRACE
63	583356	2	HOOD SIDE BRACE
64	100271	4	5/16"-18 X 3/4" HEX BOLT
65	104256	5	5/16"-18 NYLOC NUT
66	582134	1	FUEL FILTER MOUNT
67	373089	1	RETAINING WASHER
68	100300	2	3/8"-16 X 3" HEX BOLT
69	583297	1	AIR CLEANER ASSY
70	583298	1	AIR FILTER ELEMENT
71	583369	1	AIR FILTER HOSE U-SHAPE
72	582153	1	AIR FILTER MOUNT
73	107258		POWER SHAFT KEY
74	363145	1	1" CLAMP COLLAR
75	582163	1	ENGINE BASE 31 GAS MC
76	582124	1	FRAME-RH-MC-3 CYL
77	582126	1	FRAME-RH-MC-3 CYL
78	582006	1	FRONT FRAME WLDMNT

# Mainframe Components

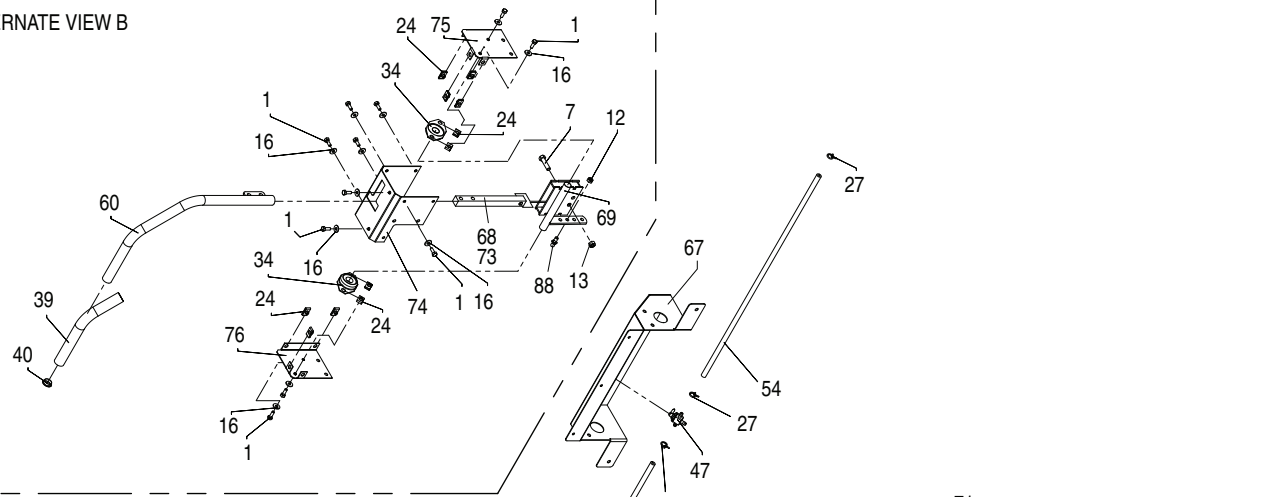
---

#	PART NO.	QTY	DESCRIPTION
79	592122	1	LEFT ENGINE MT. CHANNEL
80	592124	1	RIGHT ENGINE MT. CHANNEL
81	592125	1	LEFT FRONT ENGINE MT
82	592128	1	RIGHT FRONT ENGINE MT
83	592130	1	LEFT REAR ENGINE MT
84	592132	1	RIGHT REAR ENGINE MT
85	593089	4	FLANGED ISO MOUNT
86	100331	4	1/2-13 X 2.5 HHCS
87	100329	4	1/2-13 X 2 HHCS
88	105264	4	1/2 STD Flatwasher
89	104259	8	1/2-13 NYLOCK NUT
90	109031	1	M8-1.25 X 20MM
91	105005	1	3/8 LOCK WASHER
92	100292	8	3/8-16 X 1 HHCS
93	104257	8	3/8-16 Nyloc Nut
94	104259	4	1/2-13 NYLOCK NUT

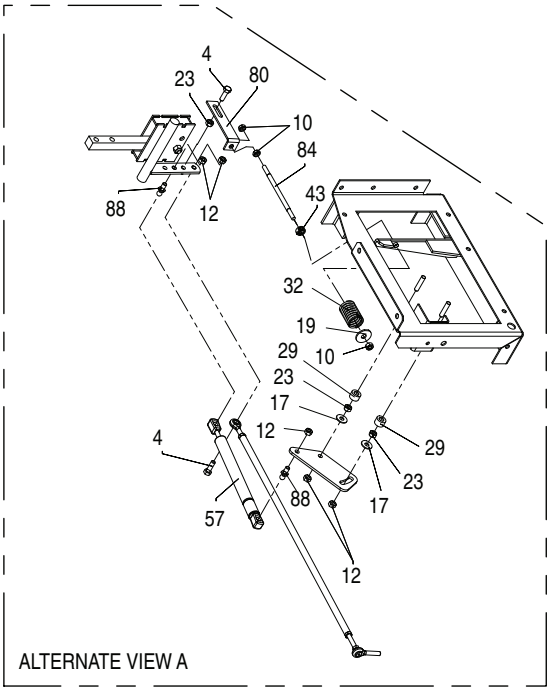
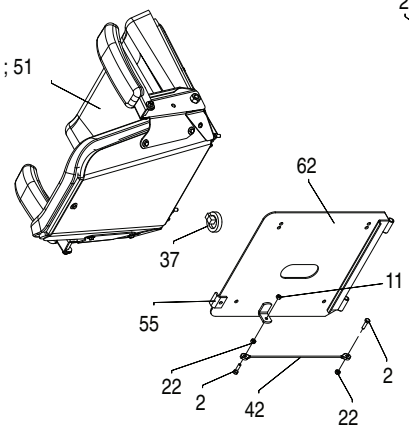
NOTES:

# Seatframe Components

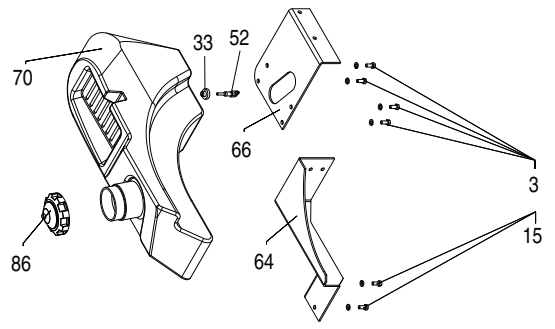
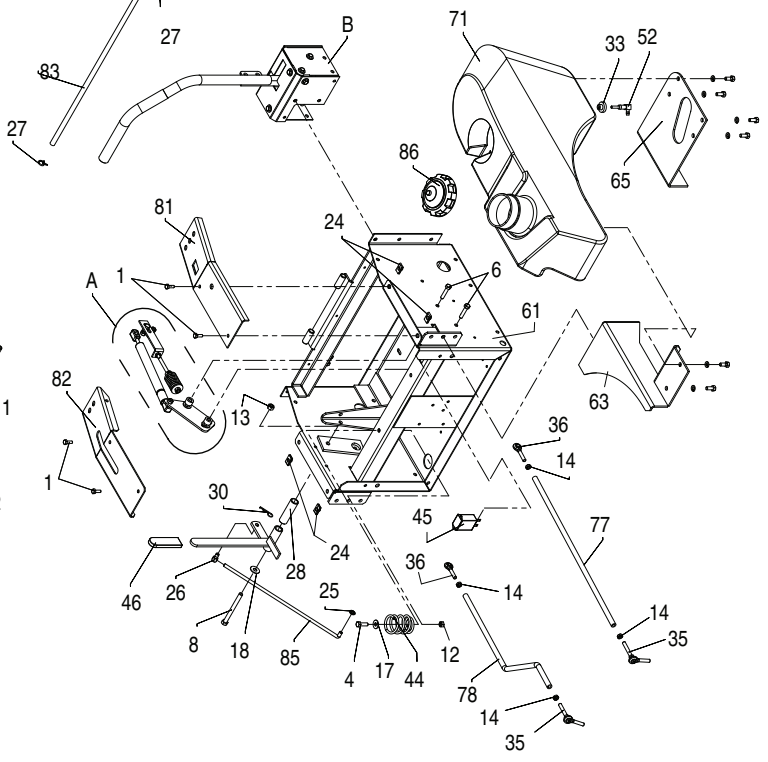
ALTERNATE VIEW B



48 ; 49 ; 50 ; 51



ALTERNATE VIEW A



# Seatframe Components

#	PART NO.	QTY	DESCRIPTION
1	100252	28	1/4-20 X 3/4 HHCS
2	100254	8	1/4"-20 X 1" HEX BOLT
3	100271	19	5/16-18 X 3/4 HHCS
4	100273	8	5/16-18 X 1 HHCS
5	100274	4	5/16-18 X 1-1/4 TAP BOLT
6	100275	2	5/16-18 X 1-1/2 HHCS
7	100294	2	3/8-16 – 1-1/2 HHCS
8	100303	2	3/8-16 X 4 HHCS
9	102000	3	#12-24 X 5/8 SELF TAP. SCREW
10	104253	2	5/16-24 NYLOC NUT
11	104255	2	1/4"-20 NYLOC NUT
12	104256	33	5/16-18 NYLOC NUT
13	104257	3	3/8"-16 NYLOC NUT
14	104752	4	5/16-24 JAM NUT
15	105005	10	5/16 LOCKWASHER - HEAV
16	105256	28	1/4 STD. FLATWASHER
17	105258	4	5/16 STD. FLATWASHER
18	105260	1	3/8 WASHER - STD FLAT
19	105261	2	3/8 ANS. TYPE B FLATWASHER
20	107503	2	5/16-18 X 3/4 CARR. BOLT
21	107520	2	5/16-18 X 1-3/4 CARR BOLT
22	109000	8	1/4"-20 WHIZ LOCK NUT
23	109001	4	5/16-18 WHIZLOCK NUT
24	109015	24	1/4-20 NUT CLIP
25	153045	1	5/16 PUSH NUT
26	363029	1	.312 ROD SWIVEL
27	363098	8	GAS LINE CLAMP - DSL
28	363105	1	BUSHING
29	363113	4	SPACER
30	363165	1	#3 ISSCO HAIRPIN COTTER (#2)
32	373054	2	SPRING
33	393042	2	GROMMET
34	423140	4	3/4 ID 2 BOLT BEARING
35	423160	2	5/16-24 BALL STUD
36	453082	2	5/16 ROD END
37	523030	1	SEAT SWITCH
38	523031	1	PTO SWITCH
39	523032	2	HANDLE GRIP
40	523033	2	HANDLE PLUG
41	523034	1	PARK SWITCH
42	523044	1	SEAT CABLE

# Seatframe Components

#	PART NO.	QTY	DESCRIPTION
43	523112	2	5/16 CLAMP COLLAR
44	523278	2	SEAT SPRING
45	523283	1	HOUR METER
46	582048	1	PARK LEVER w/ GRIP
47	583302	1	FUEL VALVE - DSL
48	583077	1	SEAT LT. GREY W/TRACK
49	583089	1	SEAT CUSHION
50	583090	1	BACK CUSHION
51A	583242	1	ARM REST PAD - LH
51B	583243	1	ARM REST PAD - RH
52	583183	2	FUEL TANK ADAPTER
55	583224	1	SEAT STOP
56	583401	1	BATTERY MOUNT
57	583415	2	DAMPENER
58	583438	2	ADJUSTMENT PLATE
60	592002	1	CONTROL HANDLE - RH
60	592004	1	CONTROL HANDLE - LH
61	592008	1	SEAT FRAME WELDMENT
62	592010	1	SEAT PLATE WELDMENT
63	592012	1	RH REAR TANK MT.
64	592014	1	LH REAR TANK MT.
65	592016	1	FRONT TANK MOUNT – RH
66	592018	1	FRONT TANK MOUNT – LH
67	592020	1	CONTROL PANEL
68	592060	2	HANDLE MOUNT WELDMNT-LH
69A	592024	2	CONTROL PIVOT RIGHT
69B	592026	1	CONTROL PIVOT LEFT
70	593001	1	FUEL TANK/FENDER - LH
71	593002	1	FUEL TANK/FENDER - RH
72	593008	2	1-1/2" GROMMET
73	593010	2	HANDLE MOUNT BAR
74A	593022	2	RH CONTROL MOUNT
74B	593024	1	LH CONTROL MOUNT
75	593026	2	RH CONTROL COVER
76	593028	2	LH CONTROL COVER
77	593032	1	RH CONTROL LINK
78	593034	1	LH CONTROL LINK
79	593048	1	SWITCH MOUNT – NEUTRAL
80	593058	2	NEUTRAL INDICATOR
81	593067	1	RH TANK PANEL
82	593068	1	LH TANK PANEL



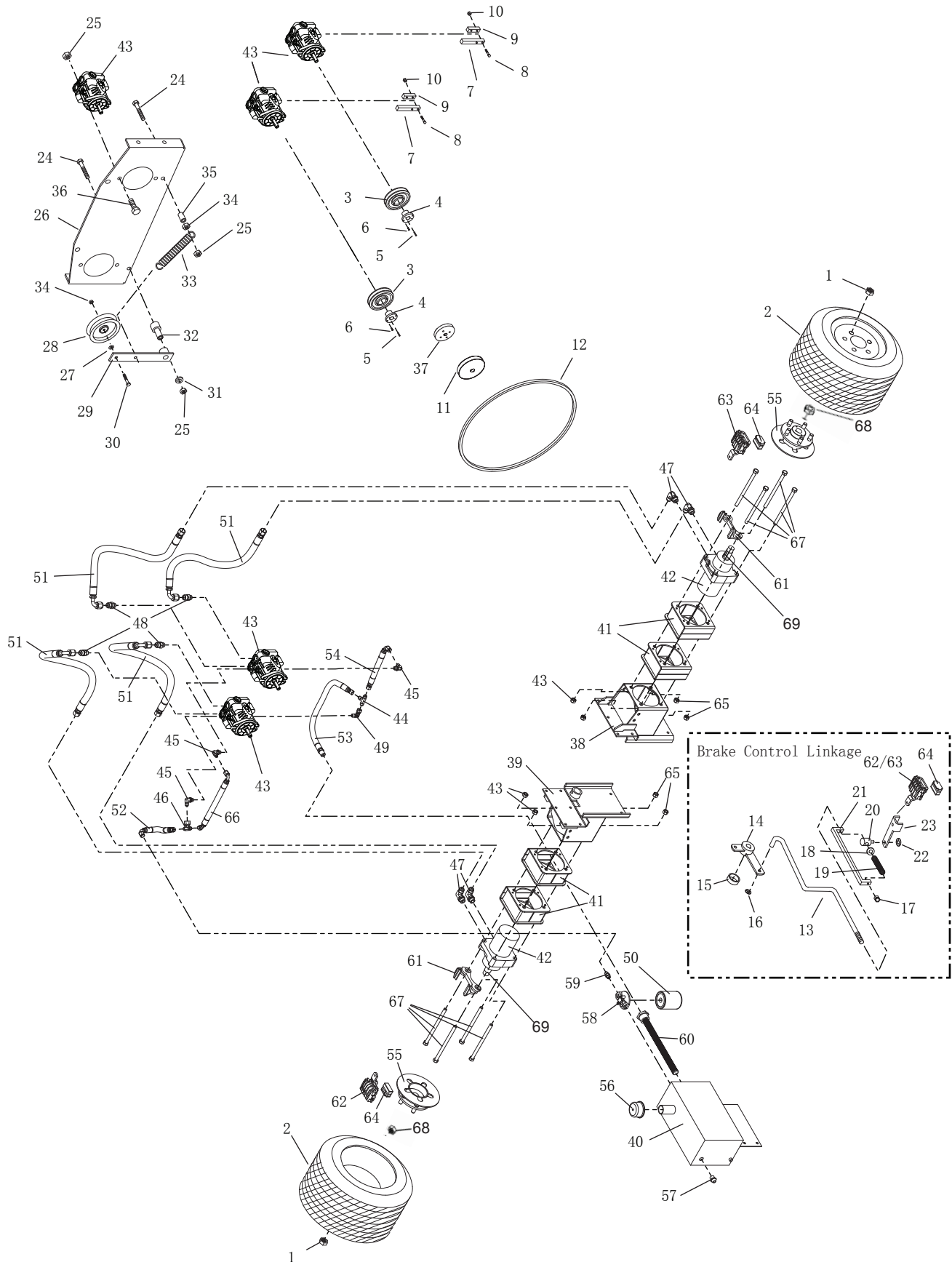
# Seatframe Components

---

#	PART NO.	QTY	DESCRIPTION
84	823127	2	NEUTRAL LINK
85	823132	1	PARK BRAKE LINK
87	823194	1	ALARM
86	583463	2	DEISEL CAP - LARGE
88	823221	4	BALL STUD
89	583480	1	FUEL LINE - ILS ( 1/4 X 13" )
90	583435	1	FUEL LINE - RETURN DSL ( 1/4 X 66" )
91	583184	2	FUEL LINE - ENG ( 1/4 X 58" )
92	523045	1	FUEL LINE - ( 5/16 X 15" )
93	583186	2	FUEL LINE - ( 1/4 X 29" )
94	603032	2	FUEL LINE - ( 1/4 X 24" )

**NOTES:**

# Hydraulic Components



# Hydraulic Components

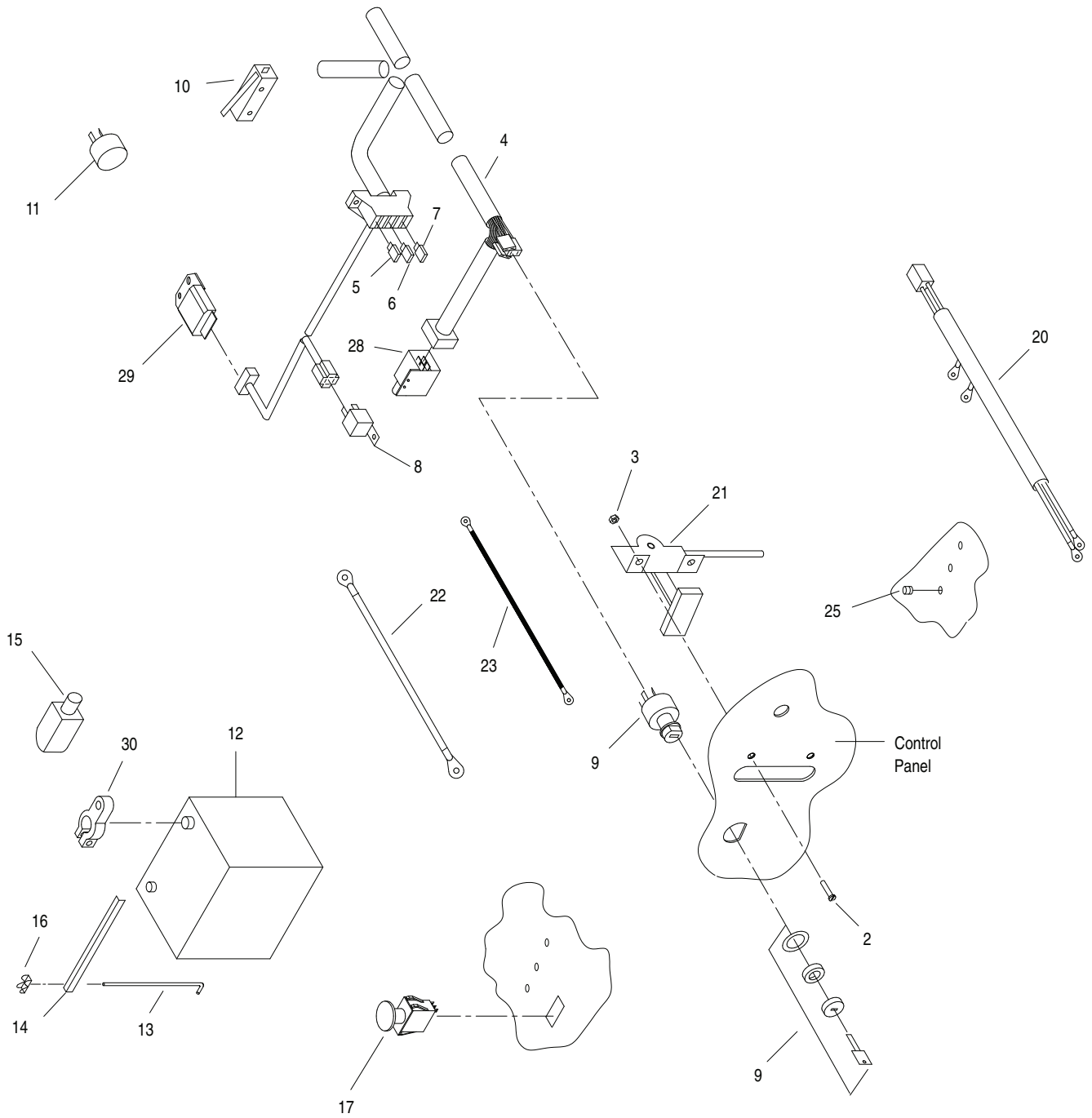
#	PART NO.	QTY	DESCRIPTION
1	103023	10	LUG NUT
2	583055	2	DRIVE WHEEL ( COMPLETE )
2A	583059	X	DRIVE TIRE ( 24 X 12 X 12 )
2B	583487	X	BAR LUG TIRE ( 23 X 10.5 X 12 )
2C	583058	X	RIM W/ VALVESTEM
3	583382	2	PUMP PULLEY
4	423178	2	15 MM TAPER HUB
5	453102	2	PUMP KEY
6	100252	2	1/4"-20 X 3/4" HEX BOLT
7	823104	2	CONTROL BAR
8	100257	4	1/4"-20 X 1 3/4" HEX BOLT
9	453090	2	CLAMP BAR
10	104255	6	1/4"-20 NYLOC NUT
11	583200	1	PUMP PULLEY
12	583385	1	PUMP BELT SML PUMP
13A	583042	1	RIGHT HAND BRAKE ROD
13B	583044	1	LEFT HAND BRAKE ROD
14	422049	1	BRAKE CRANK
15	373086	1	BLADE SPACER
16	104256	6	5/16" PUSH NUT
17	593116	2	BRAKE SPRING NUT
18	105257	2	5/16" SAE FLAT WASHER
19	523024	2	DECK DR. SPRING
20	423130	2	PARK BRAKE SWIVEL
21	593114	2	PARK BRAKE STRAP
22	363177	2	3/8" PUSH NUT
23	583190	2	BRAKE ARM
24	100300	2	3/8"-16 X 3" HEX BOLT
25	104257	32	3/8" NYLOC NUT
26	583328	1	PUMP PLATE -MCBBDP10
27	105260	13	3/8" FLAT WASHER
28	823351	1	PUMP DRIVE IDLER
29	422025	1	TENSIONER W/BUSHING
X	523111	X	BUSHING ( SERVICE )
30	100294	2	3/8"-16 X 1 1/2" HHCS
31	373089	2	RETAINING WASHER
32	423175	1	IDLER PIVOT
33	583144	1	PUMP IDLER SPRING
34	109007	2	3/8"-16 WHIZLOCK NUT
35	393070	1	IDLER SPACER
36	100293	1	3/8 X 1 1/4 HHCS

# Hydraulic Components

#	PART NO.	QTY	DESCRIPTION
37	583274	1	FRONT DRIVE ADAPTER
38	592102	1	RH MOTOR MT. WLDMNT - ML
39	592104	1	LH MOTOR MT. WLDMNT - ML
40	583049	1	OIL RESERVOIR
41	582031	4	MOTOR SPACER WLDMNT
42	593211	2	WHEEL MOTOR
43	593210	2	14 cc PARKER PUMP
44	453020	1	CROSS ADAPTER
45	453074	3	90° ADAPTER
46	453106	1	SWIVEL TEE
47	593208	4	LARGE MOTOR ADAPTER
48	593209	4	LARGE PUMP ADAPTER
49	453109	1	SWIVEL ELBOW
50	423361	1	OIL FILTER
51	593207a	4	LARGE MOTOR HOSE
52	593212	1	PUMP to FILTER ML
53	453025	1	HOSE 19in
54	583241	1	HOSE – PUMP – PUMP ZP
55	582008	2	WHEEL HUB WLDMNT
56	423165	1	OIL BREATHER CAP
57	423065	1	OIL EYE
58	423064	1	FILTER HEAD
59	583442	1	FILTER ADAPTER
60	583132	1	SUCTION SCREEN
61	583040	2	CALIPER MOUNT
62	583039	1	LEFT HAND BRAKE CALIPER
63	583038	1	RIGHT HAND BRAKE CALIPER
64	583511	2	BRAKE PAD KIT
65	104259	8	1/2-13 NYLOCK NUT
66	423373	1	PUMP FEED LINE - Z
67	100343	8	1/2-13 x 8 HHCS
68	593181	2	WHEEL MOTOR SHAFT NUT - TJ
69	107013	2	KEY, 5/16 X 1.0 (1001) WOODRUFF

NOTES:

# Electrical Components



# Electrical Components

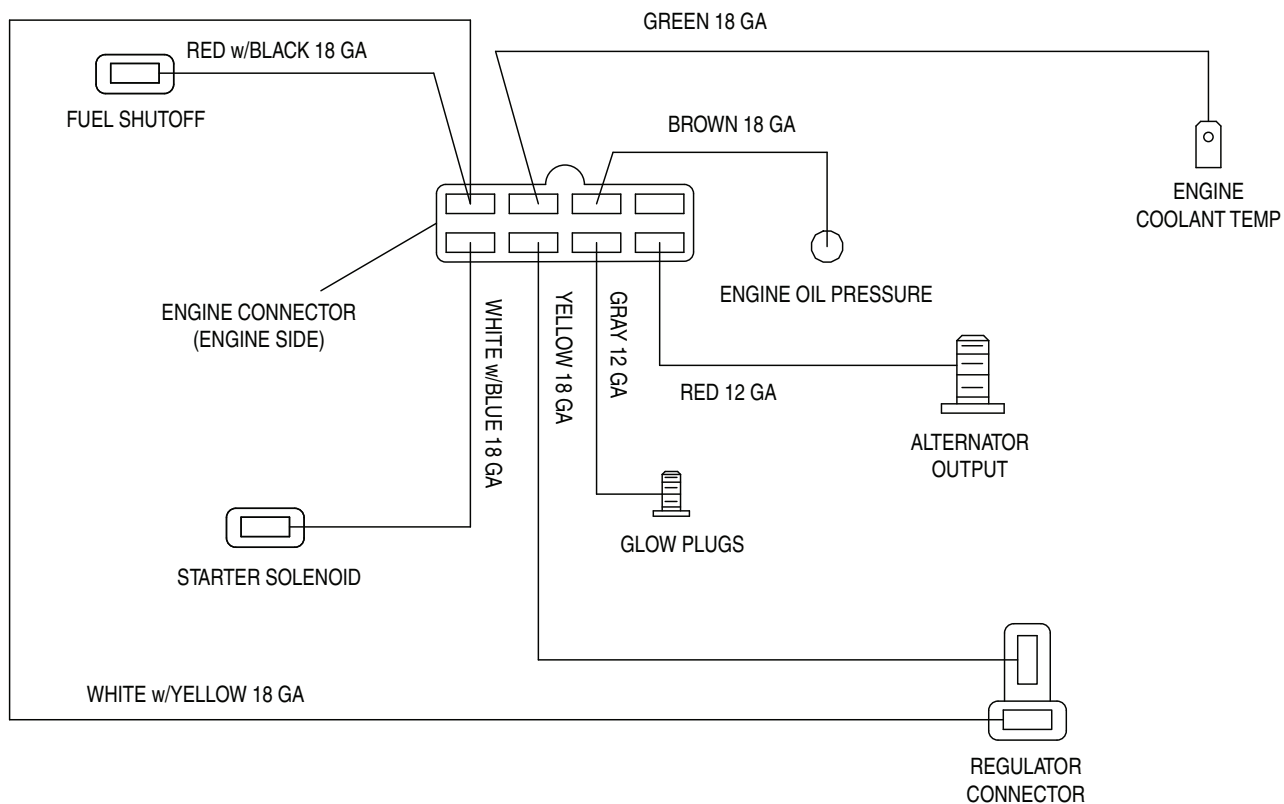
---

#	PART NO.	QTY	DESCRIPTION
2	101039	6	#10-24 X 5/8" PAN HEAD BOLT
3	104252	6	#10-24 NYLOC NUT
4	593051	1	WIRE HARNESS - 950D-MC
5	583502	1	30 AMP FUSE
6	523146	1	15 AMP FUSE
7	523147	1	10 AMP FUSE
8	523042	3	RELAY
9	423027	1	IGNITION SWITCH ASSEMBLY
10	593041	1	NEUTRAL SWITCH
11	823194	1	ALARM
12	523050	1	12 VOLT BATTERY
13	423172	2	BATTERY HOLD DOWN
14	583403	1	BATTERY ANGLE - IL3
15	583409	1	POSITIVE BATTERY BOOT
16	109017	2	1/4"-20 WING NUT
17	523031	1	PTO SWITCH
20	583276	1	ENGINE WIRE HARNESS DSL
21	593045	1	THROTTLE CONTROL
22	823196	1	POSITIVE CABLE
23	823197	1	NEGATIVE CABLE
25	523036	5	WARNING LIGHT
28	523034	1	PARK SWITCH
29	583423	1	TIME DELAY MODULE
30	583429	2	BATTERY TERMINAL

**NOTES:**



ALL VIEWS OF CONNECTORS ARE FROM WIRE-IN SIDE



ENCORE PART #: 583276

ENGINE WIRE HARNESS FOR 61B850P ; 26 HP BRIGGS - DIESEL

ENGINE WIRE HARNESS FOR 72B850P ; 26 HP BRIGGS - DIESEL

ENGINE WIRE HARNESS FOR 72B850ZP ; 26 HP BRIGGS - DIESEL

ENGINE WIRE HARNESS FOR B850PFC ; 26 HP BRIGGS - DIESEL

ENGINE WIRE HARNESS FOR 61B27LD ; 27 HP BRIGGS - DIESEL

ENGINE WIRE HARNESS FOR 72B27LD ; 27 HP BRIGGS - DIESEL



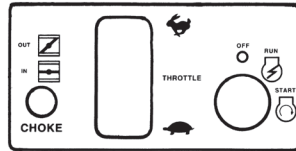
# Decal List



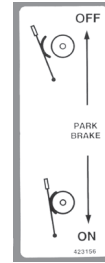
1

**ENCORE**

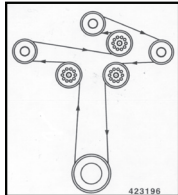
2,3,4



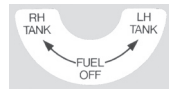
5



6



7



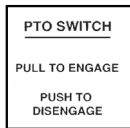
12

**PROWLER**

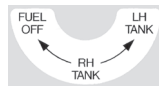
14,21



10



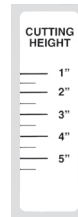
11



17



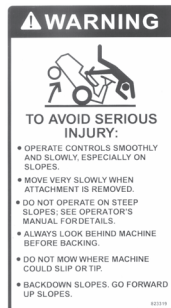
18



19

**PRO 72**

15



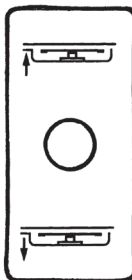
23



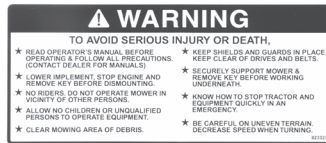
24

**DIESEL**

20



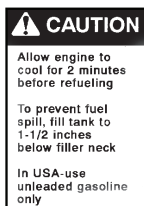
16



25



26



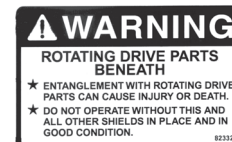
22



28



29



27



30



31

# Decal List

---

#	PART NO.	DESCRIPTION
1	363023	DANGER DECAL
2	363231	LARGE ENCORE LABEL
3	363243	ENCORE DECAL
4	363265	SMALL ENCORE LABEL
5	423155	RIDER CAUTION DECAL
6	423156	PARK LEVER DECAL
7	423196	BELT ROUTING DECAL
8	423197	CONTROL DECAL
9	453010	OIL DECAL
10	523020	LIGHT DECAL
11	523021	PTO DECAL
12	583023	LABEL – FUEL VALVE
13	XXXXXX	MOLDED INTO TANK ( No Decal Replacement )
14	583088	PROWLER - BLK DECAL
15	583193	PRO-72" DECAL
16	583232	DECAL – UP- DOWN
17	583280	FUEL VALVE LABEL – DSL
18	583372	GLOW PLUG DECAL
19	583416	CUT GAGE DECAL
20	583441	DIESEL LABEL
21	583443	PROWLER DECAL - RED
22	823318	FUEL TANK DECAL
23	823319	TIP OVER – WARNING
24	823320	BATTERY - WARNING DECAL
25	823321	OPERATING - WARNING
26	823322	ROTATING PARTS – DANGER
27	823323	ROTATING PARTS - WARNING
28	823324	SHIELD - DANGER
29	823325	THROWN OBJECTS - DANGER
30	823326	DISCHARGE - WARNING
31	823327	DISCHARGE - DANGER

NOTES:



