



B850PFC

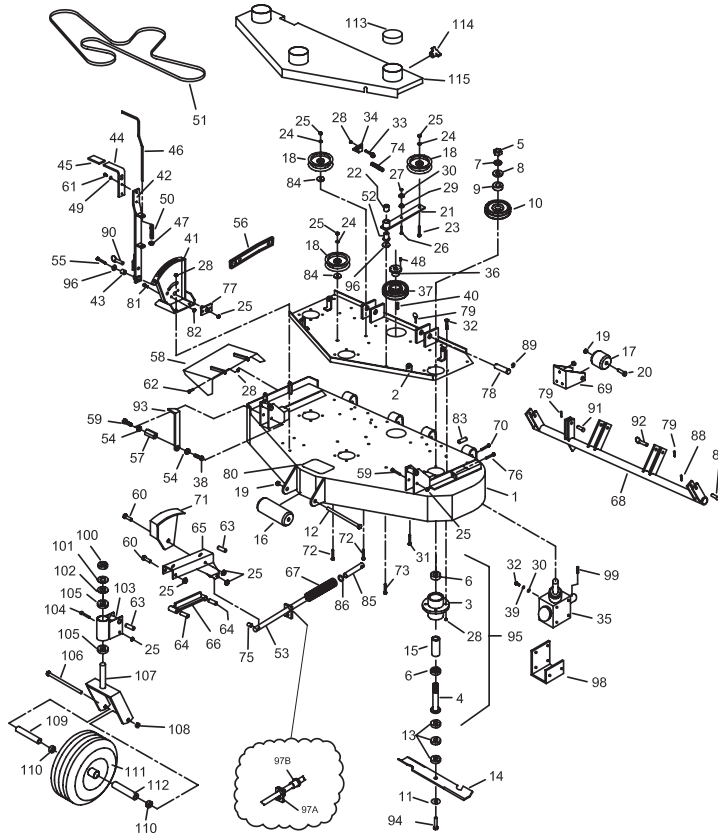
**PARTS
MANUAL**





Deck Components - D52FC

52" DECK ASSEMBLY

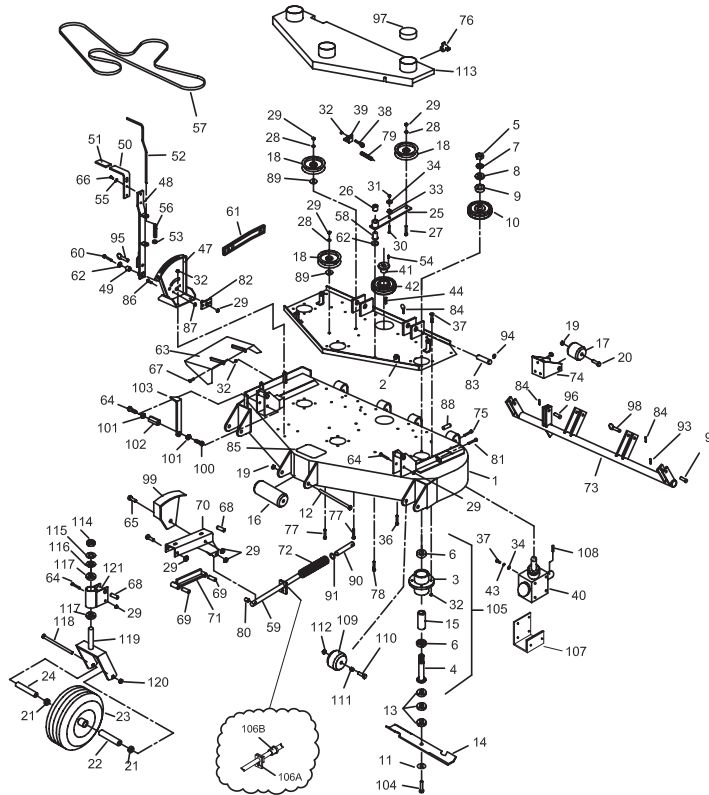


#	PART NO	QTY	DESCRIPTION	#	PART NO	QTY	DESCRIPTION
1	582018	1	DECK WELDMENT 52 MC	60	100301	4	3/8"-16 X 3 1/4" HEX BOLT
2	582020	1	52" SUB-PLATE WELDMENT	61	100251	2	1/4"-20 X 5/8" HEX BOLT
3	583111	3	SPINDLE HOUSING	62	100273	2	5/16"-18 X 1" HEX BOLT
4	583112	3	SPINDLE SHAFT	63	823330	4	CASTER ARM PIVOT
5	104511	3	3/4"-16 HEX NUT	64	823090	4	CASTER BAR PIVOT
6	363350	6	BEARING - BLADE SPINDLE	65A	582053	1	LEFT HAND CASTER ARM
7	105010	3	3/4" LOCK WASHER	65B	582051	1	RIGHT HAND CASTER ARM
8	105269	3	3/4" SAE FLAT WASHER	66	582059	2	CASTER BAR WELDMENT
9	583110	3	PULLEY SPACER	67	823150	2	COMPRESSION SPRING
10	583107	3	PULLEY - SPINDLE 5 3/4"	68	823040	1	DECK TUBE WELDMENT
11	583108	3	5/8" SPRING DISC WASHER	69	583074	2	ROLLER MOUNT
12	100351	1	5/8"-11 X 8 1/2" HEX BOLT	70	100298	2	3/8"-16 X 2 1/2" HEX BOLT
13	583109	9	BLADE SPACER	71	582176	1	CUT GAGE WELDMENT
14	823004	3	18" HI LIFT BLADE	72	107516	2	3/8"-16 X 2 1/4" CARRIAGE BOLT
15	583113	3	BEARING SPACER TUBE	73	107513	3	3/8"-16 X 3" CARRIAGE BOLT
16	603023	1	ANTI-SCALP ROLLER	74	523327	1	IDLER SPRING
17	523084	2	REAR DECK ROLLER	75	823153	2	CASTER ROD SPACER
18	523329	3	FLOATING IDLER - FLAT	76	100030	2	3/8"-16 X 3" TAP BOLT
19	104261	3	5/8"-11 NYLDC NUT	77	822132	1	DECK HEIGHT PIVOT
20	100346	2	5/8"-11 X 4 1/2" HEX BOLT	78	823339	2	DECK ATTACH PIN
21	822144	1	DECK IDLER ARM W/ BUSHING	79	100001	2	3/16" QUICK PIN
22	523111	1	3/4" PLASTIC BUSHING	80	823200	1	STEP TREAD
23	107511	1	3/8"-16 X 2" CARRIAGE BOLT	81	107502	2	1/4"-20 X 3/4" CARRIAGE BOLT
24	105260	8	3/8" FLAT WASHER	82	104255	2	1/4"-20 NYLDC NUT
25	104257	16	3/8"-16 NYLDC NUT	83	823314	2	TUBE SADDLE SPACER
26	100275	1	5/16"-18 X 1 1/2" HEX BOLT	84	483017	2	RIGHT HAND IDLER SPACER
27	109001	2	5/16"-18 WHIZLOCK NUT	85	823157	2	CASTER ROD END
28	104256	36	5/16"-18 NYLDC NUT	86	105260	2	5/8" HEAVY WASHER
29	109007	2	3/8"-16 WHIZLOCK NUT	87	823210	2	1/2" X 2" CLEVIS PIN
30	105258	9	5/16" FLAT WASHER	88	106763	2	1/8" COTTER PIN
31	107509	5	5/16"-18 X 1" CARRIAGE BOLT	89	108510	4	7/8" E-RING
32	100274	12	5/16"-18 X 1 1/4" HEX BOLT	90	109026	1	1/2" X 2" DETENT PIN
33	363080	1	EYEBOLT - RIGHT	91	823209	1	1/2" X 1 1/2" CLEVIS PIN
34	523094	1	SPRING MOUNT - DECK	92	823211	2	1/2" X 2 1/2" RING PIN
35	583087	1	DECK GEAR BDX	93	583420	1	POINTER CUT GAGE
36	523371	1	3/4" TAPER BUSHING	94	100358	3	5/8"-11 X 2 1/4" HEX BOLT
37	363216	1	TAPER LOCK SHEAVE	95	583106	3	BLADE SPINDLE ASSY
38	100291	1	3/8"-16 X 3/4" HEX BOLT	96	373089	1	3/8" RETAINING WASHER
39	105005	4	5/16" LOCK WASHER	97A	592006	1	SPRING RETAINER
40	107255	1	3/16" X 1" KEY	97B	592057	1	LIFT SPRING BUSHING WITH ZERK
41	582021	1	HEIGHT ADJUSTMENT BRACKET	98	593096	1	GEAR BDX TRUSS
42	822141	1	DECK HEIGHT BAR W/ BUSHING	99	107255	1	KEY - 3/16" X 1"
43	253059	1	ENGAGEMENT BUSHING	100	423071	2	7/8 CLAMP COLLAR
44	822062	1	DECK HEIGHT HANDLE W/ GRIP	101	583171	2	CASTER WASHER
45	823312	1	GRIP	102	105501	4	WAVY WASHER
46	823149	1	HANDLE ROD	103	582080	2	CASTER TUBE WLDMT W/ BEARINGS
47	823093	1	3/8" CLAMP COLLAR	104	100300	4	3/8-16 X 3 HHCS
48	100252	6	1/4"-20 X 3/4" HEX BOLT	105	423109	4	7/8 FLANGE BEARING
49	105004	2	1/4" LOCK WASHER	106	100339	2	1/2-13 X 6 HHCS
50	523028	1	ASSIST SPRING	107	422016	2	FRONT CASTER YOKE
51	823243	1	52" FC DECK BELT	108	104259	2	1/2-13 NYLDC NUT
52	423175	1	PUMP IDLER PIVOT	109	363307	2	AXLE TUBE
53	823155	2	CASTER ROD	110	423201	4	BEARING RETAINER
54	105006	2	3/8" LOCK WASHER	111	423103	2	FRONT CASTER COMPLETE
55	100297	1	3/8"-16 X 2 1/4" HEX BOLT	112	423200	2	BEARING
56	823214	1	HEIGHT ADJUSTMENT LINK	113	363161	3	BELT SHIELD CAP
57	583422	1	NUT-CUT GAGE	114	753028	4	KNOB
58	482017	1	GRASS DEFLECTOR	115	582023	1	52" BELT SHIELD
59	100300	4	3/8"-16 X 3" HEX BOLT				



Deck Components - D61FC

61 DESK ASSEMBLY

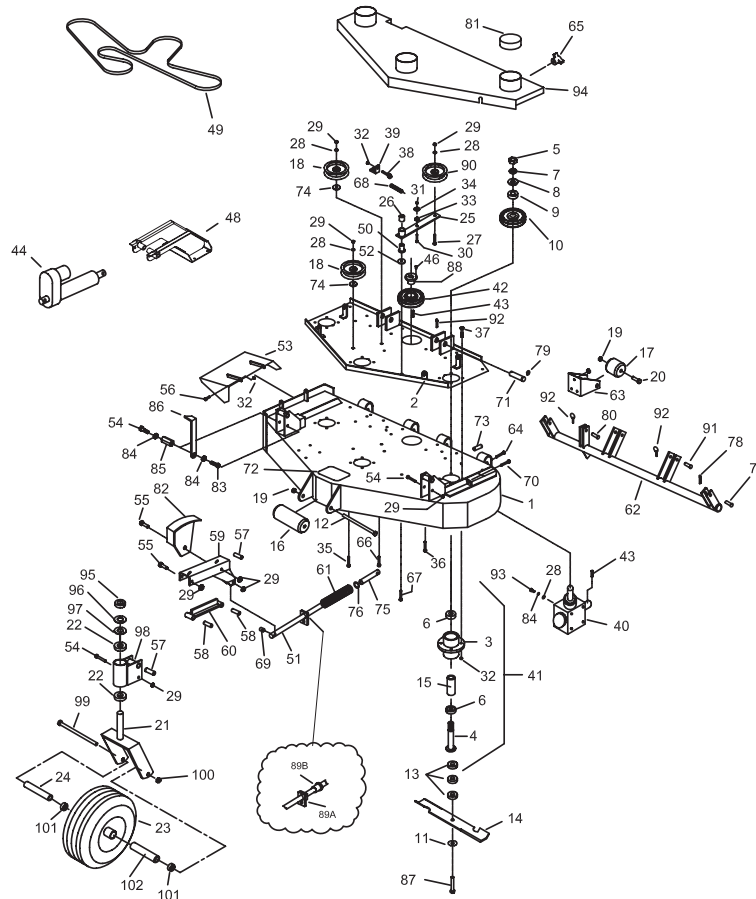


#	PART NO	QTY	DESCRIPTION	#	PART NO	QTY	DESCRIPTION
1	582017	1	61' FC DECK W/DMNT	63	582025	1	GRASS DEFLECTOR - 61
2	582012	1	61' FC DECK CHANNEL	64	100300	4	3/8"-16 X 3" HEX BOLT
3	583111	3	SPINDLE HOUSING	65	100301	4	3/8"-16 X 3 1/4" HEX BOLT
4	583112	3	SPINDLE SHAFT	66	100251	2	1/4"-20 X 5/8" HEX BOLT
5	104511	3	3/4"-16 HEX NUT	67	100273	2	5/16"-18 X 1" HEX NUT
6	363350	6	BEARING - BLADE SPINDLE	68	823330	4	CASTER ARM PIVOT
7	105010	3	3/4" LOCK WASHER	69	823090	4	CASTER BAR PIVOT
8	105262	3	3/4" X 5/8" FLAT WASHER	70A	583080	1	LEFT HAND CASTER ARM
9	583110	3	PULLEY SPACER	70B	582051	1	RIGHT HAND CASTER ARM
10	583107	3	SPINDLE PULLEY - 5 3/4"	71	582059	2	CASTER BAR WELDMENT
11	583108	3	5/8" SPRING DISC WASHER	72	823150	2	HEAVY COMPRESSION SPRING
12	100351	1	5/8"-11 X 8 1/2" HEX BOLT	73	822124	1	61" DECK TUBE WELDMENT
13	583109	9	BLADE SPACER	74	583074	2	ROLLER MOUNT
14	823006	3	210° HI LIFT BLADE	75	100298	2	3/8"-16 X 2 1/2" HEX BOLT
15	583113	3	BEARING SPACER TUBE	76	753008	4	KNOB
16	603023	1	ANTI-SCALP ROLLER	77	107516	2	3/8"-16 X 2 1/4" CARRIAGE BOLT
17	523084	2	REAR DECK ROLLER	78	107513	3	3/8"-16 X 3" CARRIAGE BOLT
18	523329	3	IDLER - FLAT	79	523327	1	IDLER SPRING
19	104261	3	5/8"-11 NYLOC NUT	80	823153	2	CASTER ROD SPACER
20	100346	2	5/8"-11 X 4 1/2" HEX BOLT	81	100030	2	3/8"-16 X 3" TAP BOLT
21	423201	4	BEARING RETAINER	82	822132	1	DECK HEIGHT PIVOT
22	423200	2	BEARING SPACER	83	823333	2	DECK ATTACH PIN
23	423103	2	FRONT CASTER COMPLETE	84	108001	2	3/16" QUICK PIN
24	363307	2	AXLE TUBE	85	823200	1	STEP TREAD
25	822144	1	DECK IDLER ARM W/ BUSHING	86	107502	2	1/4"-20 X 3/4" CARRIAGE BOLT
26	583111	1	3/4 PLASTIC BUSHING	87	104255	2	1/4"-20 NYLOC NUT
27	107511	1	3/8"-16 X 2" CARRIAGE BOLT	88	823314	2	TUBE SADDLE SPACER
28	105260	8	3/8" FLAT WASHER	89	483017	2	RIGHT HAND IDLER SPACER
29	104257	16	3/8"-16 NYLOC NUT	90	583472	2	CASTER ROD END
30	109275	1	5/16"-18 X 1 1/2" HEX BOLT	91	109205	2	5/8" HEAVY WASHER
31	109001	2	5/16"-18 WHIZLOCK NUT	92	823210	2	1/2" X 2" CLEVIS PIN
32	104256	36	5/16"-18 NYLOC NUT	93	106763	2	1/8" COTTER PIN
33	109007	1	3/8-16 WHIZLOCK NUT	94	108510	4	7/8" E-RING
34	105258	9	5/16" FLAT WASHER	95	109206	1	1/2" X 2" DETENT PIN
35	107503	10	5/16"-18 X 3/4" CARRIAGE BOLT	96	823209	1	1/2" X 1 1/2" CLEVIS PIN
36	107509	5	5/16"-18 X 1" CARRIAGE BOLT	97	363161	2	BELT SHIELD CAP
37	109274	12	1/2"-18 X 1 1/4" HEX BOLT	98	823211	1	1/2" X 2 1/2" RING PIN
38	363080	1	RIGHT EYE BOLT	99	582176	1	CUT GAGE WELDMENT
39	523094	1	SPRING MNT.-DECK	100	100291	1	3/8"-16 X 3/4" HEX BOLT
40	583087	1	DECK - GEAR BDX	101	105006	2	3/8" LOCK WASHER
41	523371	1	3/4" TAPER HUB	102	583422	1	NUT - CUT GAGE
42	523096	1	5" TAPERED PULLEY	103	583420	1	POINTNER - CUT GAGE
43	105005	4	5/16" LOCK WASHER	104	100358	3	5/8"-11 X 2 1/4" HEX BOLT
44	107255	1	3/16" X 1" KEY	105	583106	3	BLADE SPINDLE ASSY
45				106A	592006	1	SPRING RETAINER
46				106B	592057	1	LIFT SPRING BUSHING WITH ZERK
47	582021	1	HEIGHT ADJUSTMENT BRACKET	107	593096	1	GEAR BOX TRUSS
48	822141	1	DECK HEIGHT BAR W/ BUSHING	108	107255	1	KEY - 3/16" X 1"
49	253059	1	ENGAGEMENT BUSHING	109	423023	2	ANTI-SCALP ROLLER
50	822062	1	DECK HEIGHT HANDLE W/ GRIP	110	100036	2	1/2"-13 X 4 1/2" HHCS
51	823319	1	GRIP	111	453132	2	SPACER
52	823449	1	HANDLE ROD	112	104259	2	1/2"-13 NYLOC
53	823093	1	3/8" CLAMP COLLAR	113	582024	1	61" BELT SHIELD
54	100252	6	1/4"-20 X 3/4" HEX BOLT	114	423071	2	7/8 CLAMP COLLAR
55	105004	2	1/4" LOCK WASHER	115	583171	2	CASTER WASHER
56	523028	1	ASSIST SPRING	116	105501	4	WAVY WASHER
57	823242	1	61" DECK BELT	117	423109	4	7/8 FLANGE BEARING
58	423175	1	PUMP IDLER PIVOT	118	100392	2	1/2"-13 X 6 HHCS
59	583474	2	CASTER ROD	119	422016	2	FRONT SPINDLE YOKER
60	100297	1	3/8"-16 X 2 1/4" HEX BOLT	120	104259	2	1/2"-13 NYLOC NUT
61	823214	1	HEIGHT ADJUSTMENT LINK	121	582080	2	CASTER TUBE W/DMNT W/ BEARING
62	373089	1	3/8 STD RETAINING WASHER				



Deck Components - D72FC

72 DECK ASSEMBLY

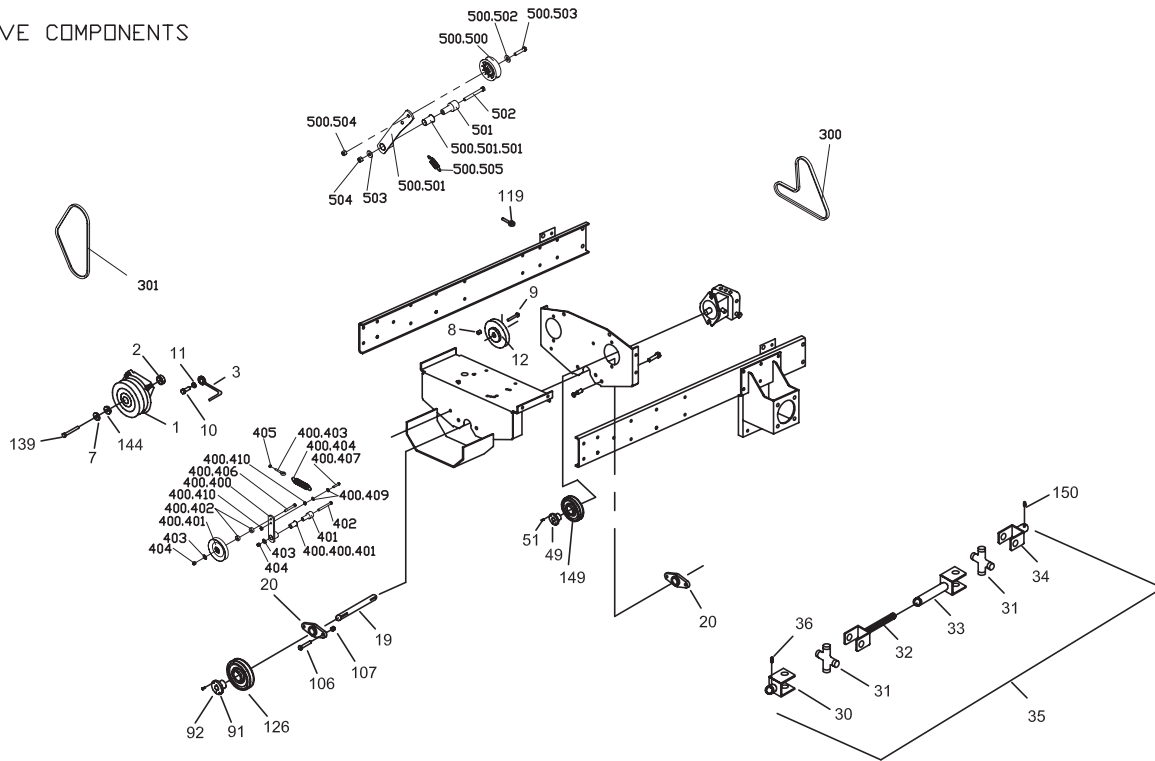


#	PART NO	QTY	DESCRIPTION	#	PART NO	QTY	DESCRIPTION
1	582104	1	72" MC DECK WELDMENT	53	583108	1	DEFLECTOR SHIELD 72"
2	582098	1	72" DECK CHANNEL	54	100300	4	3/8"-16 X 3" HEX BOLT
3	583111	3	SPINDLE HOUSING	55	100301	4	3/8"-16 X 3 1/4" HEX BOLT
4	583112	3	SPINDLE SHAFT	56	100273	2	5/16"-18 X 1" HEX BOLT
5	104511	3	3/4"-16 HEX NUT	57	823330	4	CASTER ARM PIVOT
6	363350	6	BEARING - BLADE SPINDLE	58	823090	4	CASTER BAR PIVOT
7	105010	3	3/4 LOCKWASHER	59A	582053	1	LEFT HAND CASTER ARM
8	105269	3	3/4" SAE FLAT WASHER	59B	582051	1	RIGHT HAND CASTER ARM
9	583110	3	PULLEY SPACER	60	582059	2	CASTER BAR WELDMENT
10	583107	3	PULLEY - SPINDLE 5 3/4"	61	823150	2	SPRING
11	583108	3	5/8" SPRING DISC WASHER	62	583112	1	72" DECK TUBE WELDMENT
12	100351	1	5/8"-11 X 8 1/2" HEX BOLT	63	583074	2	ROLLER MOUNT
13	583109	9	BLADE SPACER	64	100298	2	3/8"-16 X 2 1/2" HEX BOLT
14	583287	3	25" OFFSET BLADE	65	753028	4	KNOB
15	583113	3	BEARING SPACER TUBE	66	107516	2	3/8" X 2 1/4" CARRIAGE BOLT
16	603023	1	ANTI-SCALP ROLLER	67	107513	3	3/8"-16 X 3" CARRIAGE BOLT
17	523084	2	REAR DECK ROLLER	68	523327	1	FLOATING IDLER SPRING
18	583162	2	6" FLAT IDLER	69	823153	2	SPACER
19	104261	3	5/8"-11 NYLDC NUT	70	100030	2	3/8"-16 X 3" TAP BOLT
20	100346	2	5/8"-11 X 4 1/2" HEX BOLT	71	823333	2	DECK ATTACH PIN
21	422016	2	FRONT CASTER YOKE	72	823200	1	STEP TREAD
22	423109	4	7/8" FLANGE BEARING	73	823314	2	TUBE SADDLE SPACER
23	423103	2	FRONT CASTER COMPLETE	74	483017	2	RIGHT HAND IDLER SPACER
24	363307	2	AXLE TUBE	75	583105	2	CASTER ROD END - 72" FC
25	822144	1	DECK IDLER ARM W/BUSHING	76	109025	2	5/8" HEAVY WASHER
26	523111	1	3/4" PLASTIC BUSHING	77	823210	2	1/2" X 2" CLEVIS PIN
27	107511	1	3/8"-16 X 2" CARRIAGE BOLT	78	106763	2	1/8" COTTER PIN
28	105260	9	3/8" FLAT WASHER	79	108510	4	7/8" E-RING
29	104257	16	3/8"-16 NYLDC NUT	80	823202	2	1/2" X 1 1/2" CLEVIS PIN
30	100275	1	5/16"-18 X 1 1/2" HEX BOLT	81	363161	3	BELT SHIELD CAP
31	109001	2	5/16"-18 WHIZLOCK NUT	82	582176	1	CUT GAGE WELDMENT
32	104256	36	5/16"-18 NYLDC NUT	83	100291	1	3/8"-16 X 3/4" HEX BOLT
33	109007	2	3/8"-16 WHIZLOCK NUT	84	105006	2	3/8" LOCKWASHER
34	105258	9	5/16" FLAT WASHER	85	583422	1	NUT-CUT GAGE
35	107503	10	5/16"-18 X 3/4" CARRIAGE BOLT	86	583420	1	POINTER CUT GAGE
36	107509	5	5/16"-18 X 1" CARRIAGE BOLT	87	100358	3	5/8"-11 X 2 1/4" HEX BOLT
37	100274	12	5/16"-18 X 1 1/4" HEX BOLT	88	363215	1	1" TAPER LOCK HUB
38	363080	1	EYE BOLT - RIGHT	89A	522005	1	SPRING RETAINER
39	523094	1	SPRING MOUNT - DECK	89B	522057	1	LIFT SPRING BUSHING WITH ZERK
40	583166	1	GEAR BOX LARGE	90	523329	1	FLOATING IDLER - FLAT
41	583106	3	BLADE SPINDLE ASSY	91	823211	2	1/2" X 2 1/2" RING PIN
42	583447	1	6" TAPER LOCK SHEAVE	92	108001	2	3/16" QUICK PIN
43	107258	2	1/4 X 1/4 X 3/4 MACH. KEY	93	100293	4	3/8"-16 X 1 1/4" HHCS
44	583294	1	ELECTRIC ACTUATOR	94	582106	1	72" BELT SHIELD
45				95	423071	2	7/8" CLAMP COLLAR
46	100252	6	1/4"-20 X 3/4" HEX BOLT	96	583171	2	CASTER WASHER
47				97	105501	4	WAVY WASHER
48	582178	1	ELECT. LIFT MOUNT FC	98	582080	1	CASTER TUBE W/DMT W/ BEARINGS
49	583153	1	72" DECK BELT	99	100339	2	1/2-13 X 6 HHCS
50	423175	1	PUMP IDLER PIVOT	100	104259	2	1/2-13 NYLDC NUT
51	583474	2	CASTER ROD	101	423201	4	BEARING RETAINER
52	373089	1	3/8" RETAINING WASHER	102	423200	2	BEARING



Drive Components

DRIVE COMPONENTS



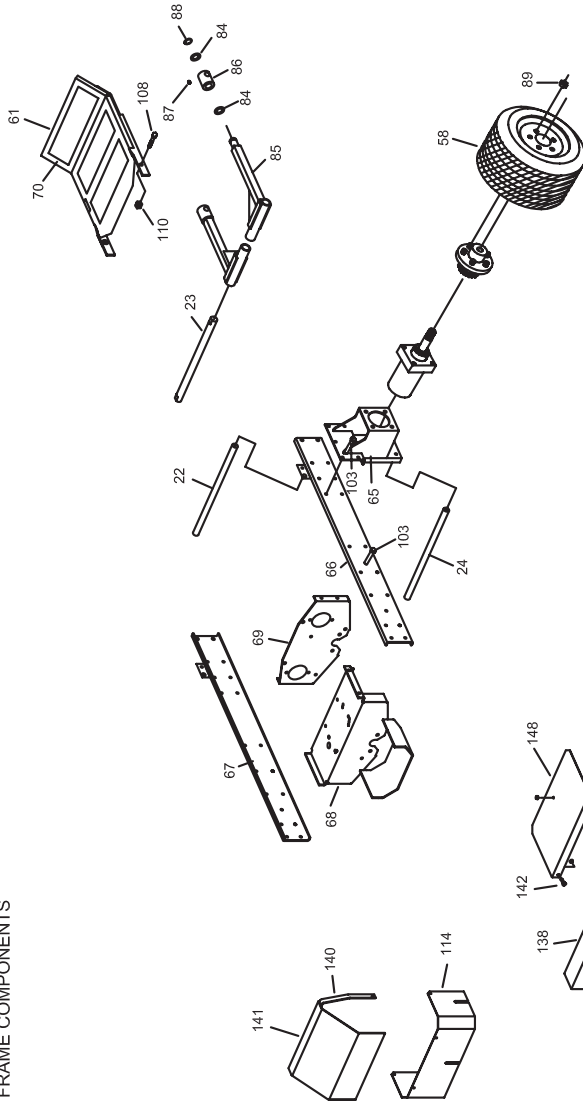
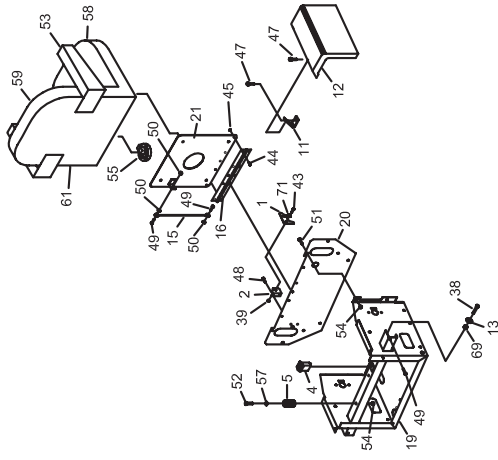
ITEM NUMBER	PART NUMBER	QUANTITY	DESCRIPTION	ITEM NUMBER	PART NUMBER	QUANTITY	DESCRIPTION
1	523370	1	ELECTRIC CLUTCH*	149	823306	2	PUMP PULLEY**
	823165	1	ELECTRIC CLUTCH**		823190	2	PUMP PULLEY*
2	523322	2	CLUTCH SPACER*	300	583385	1	PUMP BELT SML PUMP
	823248	1	CLUTCH SPACER**	301	583517	1	PTD BELT
3	363075	1	ROUND BELT GUIDE*	400	824061	1	CLUTCH IDLER ASSY.
	823250	1	ROUND CLUTCH STOP**	400.4	422025	1	TENSIONER W/BUSHING
7	753027	1	3/8" DISC SPRING WASHER	400.401	483025	1	RH IDLER PULLEY
	423069	2	7/16" DISC SPRING WASHER	400.402	483017	2	RH IDLER SPACER
8	363097	3	SPACER*	400.403	363080	1	RIGHT EYEBOLT
9	109022	3	8MM-1.25 X 50MM HEX BOLT	400.404	593074	1	IDLER SPRING - HH
10	100512	2	5/16"-24 X 1" HEX BOLT*	400.406	100299	1	3/8-16 X 2-3/4 HHCS
	100291	1	3/8"-16 X 2" HEX BOLT**	400.407	100275	1	5/16-18 X 1-1/2 HHCS
11	363226	4	DISC SPRING WASHER	400.409	105256	2	1/4 STD FLAT WASHER
12	523289	1	HYDR DRIVE PULLEY*	400.41	109001	2	5/16-18 WHIZLOCK NUT
	823206	1	HYDR DRIVE PULLEY**	401	823030	1	PUMP IDLER SUPPORT
19	823028	1	DECK SHAFT	402	100302	1	3/8-16 X 3-1/2 HHCS
20	823032	2	DECK SHAFT BEARING	403	105260	1	3/8 STD FLAT WASHER
30	523414	1	1" YOKE	404	104257	1	3/8-16 NYLDC NUT
31	523415	2	CROSS & BEARING	405	104256	1	5/16-18 NYLDC NUT
32	593075	1	YOKE SHAFT	500	584009	1	PUMP IDLER ASM.
33	583481	1	YOKE TUBE	500.5	823351	1	PUMP DRIVE IDLER
34	823372	1	3/4" YOKE	500.501	822138	1	IDLER ARM W/BUSHING
35	583172	1	DRIVE SHAFT FRONT CUT ONLY	500.502	105260	1	3/8 STD FLAT WASHER
36	103295	2	3/8"-16 X 1/2" SET SCREW	500.503	100295	1	3/8-16 X 1-3/4 HHCS
49	423178	2	15MM TAPER HUB	500.504	104257	1	3/8-16 NYLDC NUT
51	453102	2	PUMP KEY (SMM)	500.505	523048	1	FLOATING IDLER SPRING
91	363215	1	1" TAPER HUB	501	823030	1	PUMP IDLER SUPPORT
92	107259	2	1/4" X 1/4" X 1" KEY	502	100302	1	3/8-16 X 3-1/2 HHCS
106	100311	4	7/16"-14 X 1 1/2" HEX BOLT	503	105260	1	3/8 STD FLAT WASHER
107	104258	4	7/16"-14 NYLDC NUT	504	104257	1	3/8-16 NYLDC NUT
126	363216	1	TAPER LOCK SHEAVE*	400.400.401	523111	1	3/4 PLASTIC BUSHING
	523096	1	5" TAPER LOCK SHEAVE**	500.501.501	523111	1	3/4 PLASTIC BUSHING
139	109019	1	10MM-1.5 X 30MM HEX BOLT*				
	100533	1	7/16"-20 X 1 3/4" HEX BOLT**				
144	423068	1					

(*) KAWASAKI ENGINE ONLY
 (**) KOLHER ENGINE ONLY



Frame Components

FRAME COMPONENTS



FRAME COMPONENTS

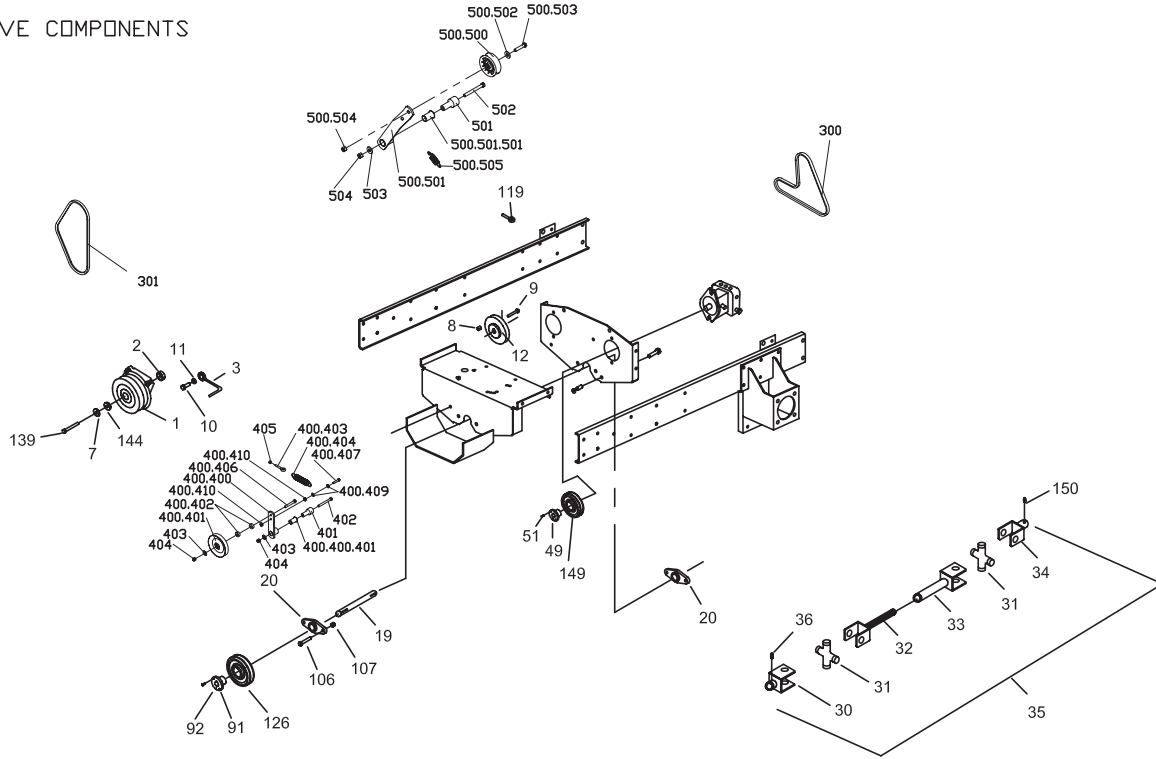
ITEM NUMBER	PART NUMBER	QUANTITY	DESCRIPTION
2	823046	1	UPPER BRACE**
3	823046	1	DECK ARM**
4	823046	1	LOWER BRACE**
5	823046	2	DRIVE WHEEL ASSY
6	823046	2	FOOT PLATE
7	582022	1	RIGHT HAND MOTOR MOUNT
8	822020	1	LEFT HAND MOTOR MOUNT
9	822022	1	RIGHT HAND FRAME CHANNEL
10	822022	1	LEFT HAND FRAME CHANNEL
11	822026	1	ENGINE BASE
12	822026	1	PUMP PLATE
13	822026	3	FOOT PLATE TREAD
14	823042	1	DECK ARM WASHER
15	823042	2	DECK ARM SWIVEL
16	822090	12	1/4"-28 ZERK
17	110004	12	SNAP RING
18	108502	10	1/2"-20 LUG NUT
19	103023	4	3/8"-16 X 1/2" HEX BOLT
20	100294	2	1/2"-13 X 2" HEX BOLT
21	100329	10	1/2"-13 NYLON NUT
22	1004261	10	REAR COVER
23	823301	1	FRONT GUARD**
24	823204	1	FRONT GUARD**
25	090015	2	1/4" NUT CLIP
26	137	1	FRONT GUARD**
27	138	1	FRONT GUARD**
28	139	1	FRONT GUARD**
29	823345	2	SEAT CUSHION STRAP**
30	823345	2	SEAT CUSHION STRAP**
31	822146	7	1/4"-20 X 5/8" HEX BOLT
32	100251	1	GUARD BRACE**
33	822140	1	ENGINE GUARD**
34	823206	1	ENGINE GUARD**

ITEM NUMBER	PART NUMBER	QUANTITY	DESCRIPTION
1	823110	1	FOOT PLATE LATCH
2	823110	1	FOOT PLATE LATCH
3	823283	1	HOOR WELDER
4	523278	2	SEAT SPRING
5	423184	2	FRONT FENDER MOUNT
6	823010	1	RIGHT FENDER
7	823011	1	LEFT FENDER
8	823192	2	STOP CAM
9	523044	1	SEAT CABLE
10	523105	1	SEAT HINGE
11	822054	1	SEAT FRAME WELDMENT
12	823302	1	SEAT FRAME FRONT
13	823058	1	SEAT PLATE
14	823058	6	5/16"-18 WHIZ LOCK NUT
15	109001	8	SHOULDER BOLT
16	109014	5	#10-28 X 5/8" SCREW
17	101039	4	#10-28 NYLON NUT
18	104252	7	#12-24 THREADED CUTTING SCREW
19	100200	4	1/4"-20 X 3/4" HEX BOLT
20	100252	8	1/4"-20 X 1" HEX BOLT
21	100254	8	1/4"-20 WHIZ LOCK NUT
22	109000	8	5/16"-18 X 3/4" HEX BOLT
23	100271	8	5/16"-18 X 1" HEX BOLT
24	100273	2	5/16"-18 X 1" HEX BOLT
25	100273	2	5/16"-18 X 1" HEX BOLT
26	100273	2	5/16"-18 X 1" HEX BOLT
27	100273	2	5/16"-18 X 1" HEX BOLT
28	100273	2	5/16"-18 X 1" HEX BOLT
29	523030	20	SEAT SWITCH NUT
30	523030	5	SEAT SWITCH
31	105268	1	SEAT CUSHION
32	583089	1	BACK CUSHION
33	583090	1	SEAT
34	583077	1	SEAT
35	363041	2	BUMPER SPACER
36	105259	2	3/8" SAE FLAT WASHER



Drive Components

DRIVE COMPONENTS



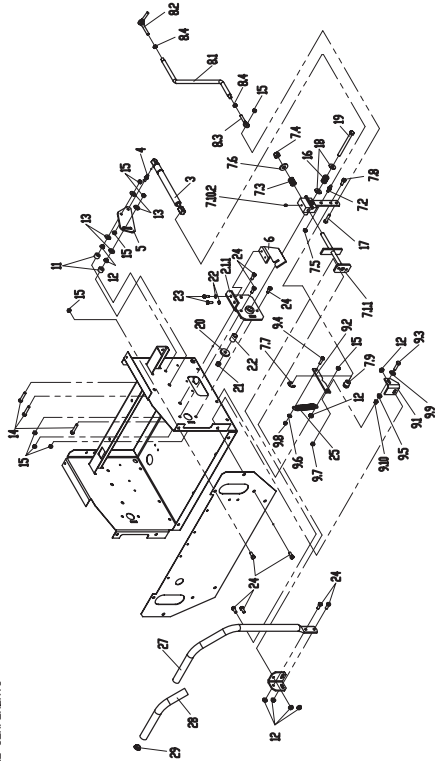
ITEM NUMBER	PART NUMBER	QUANTITY	DESCRIPTION	ITEM NUMBER	PART NUMBER	QUANTITY	DESCRIPTION
1	523370	1	ELECTRIC CLUTCH*	149	823306	2	PUMP PULLEY**
	823165	1	ELECTRIC CLUTCH**		823190	2	PUMP PULLEY*
2	523322	2	CLUTCH SPACER*	300	583385	1	PUMP BELT SML PUMP
	823248	1	CLUTCH SPACER**	301	583517	1	PTD BELT
3	363075	1	ROUND BELT GUIDE*	400	824061	1	CLUTCH IDLER ASSY.
	823250	1	ROUND CLUTCH STOP**	400.4	422025	1	TENSIONER W/BUSHING
7	753027	1	3/8" DISC SPRING WASHER	400.401	483025	1	RH IDLER PULLEY
	423069	2	7/16" DISC SPRING WASHER	400.402	483017	2	RH IDLER SPACER
8	363097	3	SPACER*	400.403	363080	1	RIGHT EYEBOLT
9	109022	3	8MM-1.25 X 50MM HEX BOLT	400.404	593074	1	IDLER SPRING - HH
10	100512	2	5/16"-24 X 1" HEX BOLT*	400.406	100299	1	3/8-16 X 2-3/4 HHCS
	100291	1	3/8"-16 X 2" HEX BOLT**	400.407	100275	1	5/16-18 X 1-1/2 HHCS
11	363226	4	DISC SPRING WASHER	400.409	105256	2	1/4 STD FLAT WASHER
12	523289	1	HYDR DRIVE PULLEY*	400.41	109001	2	5/16-18 WHIZLOCK NUT
	823206	1	HYDR DRIVE PULLEY**	401	823030	1	PUMP IDLER SUPPRT
19	823028	1	DECK SHAFT	402	100302	1	3/8-16 X 3-1/2 HHCS
20	823032	2	DECK SHAFT BEARING	403	105260	1	3/8 STD FLAT WASHER
30	523414	1	1" YOKE	404	104257	1	3/8-16 NYLDC NUT
31	523415	2	CROSS & BEARING	405	104256	1	5/16-18 NYLDC NUT
32	593075	1	YOKE SHAFT	500	584009	1	PUMP IDLER ASM.
33	583481	1	YOKE TUBE	500.5	823351	1	PUMP DRIVE IDLER
34	823372	1	3/4" YOKE	500.501	822138	1	IDLER ARM W/BUSHING
35	583172	1	DRIVE SHAFT FRONT CUT ONLY	500.502	105260	1	3/8 STD FLAT WASHER
36	103295	2	3/8"-16 X 1/2" SET SCREW	500.503	100295	1	3/8-16 X 1-3/4 HHCS
49	423178	2	15MM TAPER HUB	500.504	104257	1	3/8-16 NYLDC NUT
51	453102	2	PUMP KEY (SMM)	500.505	523048	1	FLOATING IDLER SPRING
91	363215	1	1" TAPER HUB	501	823030	1	PUMP IDLER SUPPRT
92	107259	2	1/4" X 1/4" X 1" KEY	502	100302	1	3/8-16 X 3-1/2 HHCS
106	100311	4	7/16"-14 X 1 1/2" HEX BOLT	503	105260	1	3/8 STD FLAT WASHER
107	104258	4	7/16"-14 NYLDC NUT	504	104257	1	3/8-16 NYLDC NUT
126	363216	1	TAPER LOCK SHEAVE*	400.400.401	523111	1	3/4 PLASTIC BUSHING
	523096	1	5" TAPER LOCK SHEAVE**	500.501.501	523111	1	3/4 PLASTIC BUSHING
139	109019	1	10MM-1.5 X 30MM HEX BOLT*				
	100533	1	7/16"-20 X 1 3/4" HEX BOLT**				
144	423068	1					

(*) KAWASAKI ENGINE ONLY
 (**) KOLHER ENGINE ONLY



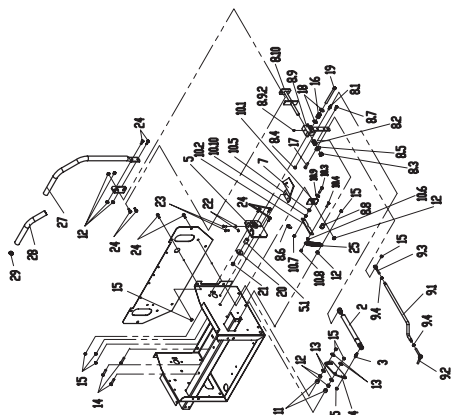
Control Components

CONTROL COMPONENTS



ITEM NO.	PART NUMBER	QTY.	DESCRIPTION	ITEM NO.	PART NUMBER	QTY.	DESCRIPTION
2	56210	1	LH CONTROL PIVOT W/ASH	92	82344	1	NEUTRAL ARM
21	56209	1	LH CONTROL PIVOT W/LOCK	93	1M274	1	5/16-18 X 1-1/4 INCS
21.1	56206	1	LH CONTROL PLATE W/LOCK	94	1M204	1	1/4-20 X 1 INCS
21.2	82304	1	LEVER PIVOT NUT	95	1M200	1	5/16-18 W/LOCK NUT
22	23089	1	ENGAGEMENT WASHER	96	1M200	1	1/4 - 20 W/LOCK NUT
3	56345	1	IMPELLER	97	1M206	1	5/16-18 W/LOCK NUT
4	82222-4	1	1MM BALL STUD	98	1M205	1	1/4-20 W/LOCK NUT
5	56348	1	IMPELLER ALL PLATE	99	1M208	1	5/16 STD FLAT WASHER
6	56226	1	LH LEVER LOCK	90	82306	1	FLANGE WASHER
7	56254	1	LH NEUTRAL LOCK PIVOT	10	56222	1	CONTROL LEVER ANGLE
7.1	56204	1	HANDLE INT. PLATE	11	36313	2	SPACER
7.2	56205	1	HANDLE PIVOT ROD	12	1M201	8	5/16-18 W/LOCK NUT
7.3	56207	1	NEUTRAL LOCK TAB	13	1M208	4	5/16 STD FLAT WASHER
7.4	82222-4	1	1MM BALL STUD	14	1M275	3	5/16-18 X 1-1/2 INCS
7.5	36324	1	COMPRESSION SPRING	15	1M206	9	5/16-18 W/LOCK NUT
7.6	1M209	1	1/2-13 W/LOCK NUT	16	36324	1	COMPRESSION SPRING
7.7	1M205	1	5/16-18 W/LOCK NUT	17	1M274	1	5/16-18 X 1-1/4 INCS
7.8	1M204	1	1/2 STD Flatwasher	18	1M206	2	3/8 STD FLAT WASHER
7.9	1M207	1	5/16-18 X 3/4 INCS	19	1M206	1	3/8-16 X 4-1/2 INCS
8	82305	1	RETAINING WASHER	20	37389	1	RETAINING WASHER
8.1	1M201	1	DRIVE BLOCK W/ZEK	21	1M207	1	3/8-16 W/LOCK NUT
8.2	82307	1	1/4 STD. LOCKWASHER	22	1M204	2	1/4 STD. LOCKWASHER
8.3	82305	1	1/4-20 X 3/4 INCS	23	1M202	2	1/4 STD. LOCKWASHER
8.4	1M201	1	RH PUMP ROD ASSY.	24	1M271	2	1/4-20 X 3/4 INCS
8.5	82306	1	RH DRIVE ROD	25	1M271	9	5/16-18 X 3/4 INCS
8.6	42340	1	5/16-24 BALL STUD	26	82307	1	SPRING
8.7	43382	1	5/16-24 END	27	36317	1	SEAT FRAME FRONT
8.8	1M272	2	5/16-24 JHM NUT	28	82302	1	HANDLE
8.9	82306	1	RH INT. - RH	29	56202	1	HANDLE GRIP
8.10	1M272	1	NEUTRAL ARM	30	56203	1	HANDLE PLUG
9	1M271	1	5/16-18 X 1-1/4 INCS				

CONTROL COMPONENTS

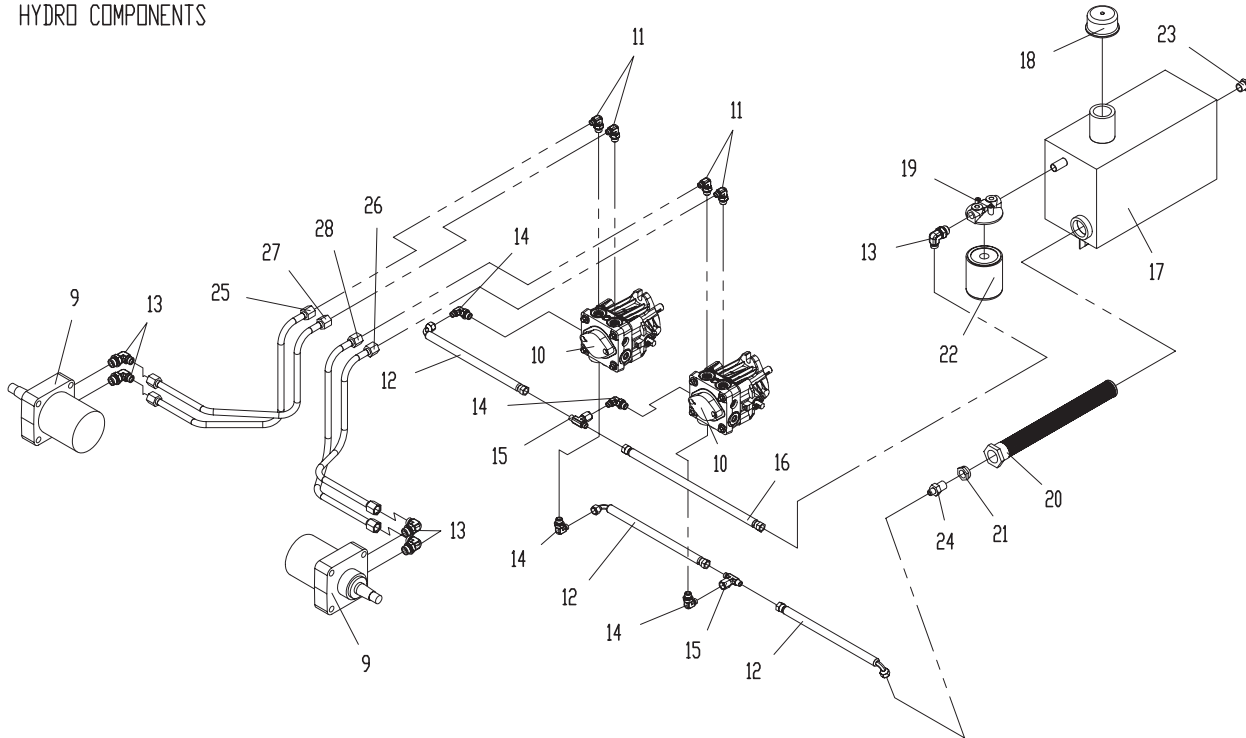


ITEM NO.	PART NUMBER	QTY.	DESCRIPTION	ITEM NO.	PART NUMBER	QTY.	DESCRIPTION
2	56345	1	IMPELLER	104	1M204	1	1/4-20 X 1 INCS
3	82222-4	1	1MM BALL STUD	105	1M200	1	5/16-18 W/LOCK NUT
4	56348	1	IMPELLER ALL PLATE	106	1M200	1	1/4 - 20 W/LOCK NUT
5	56210	1	RH CONTROL PIVOT W/ASH	107	1M206	1	5/16-18 W/LOCK NUT
5.1	23089	1	ENGAGEMENT WASHER	108	1M205	1	1/4-20 W/LOCK NUT
5.2	56348	1	RH CONTROL PIVOT W/LOCK	109	1M208	1	5/16 STD FLAT WASHER
6	56222	1	CONTROL LEVER ANGLE	110	82306	1	FLANGE WASHER
7	56254	1	RH LEVER LOCK	11	36313	2	SPACER
8	82222-4	1	1MM BALL STUD	12	1M201	8	5/16-18 W/LOCK NUT
8.1	36324	1	COMPRESSION SPRING	13	1M208	4	5/16 STD FLAT WASHER
8.2	1M209	1	1/2-13 W/LOCK NUT	14	1M275	3	5/16-18 X 1-1/2 INCS
8.3	1M205	1	5/16-18 W/LOCK NUT	15	1M206	9	5/16-18 W/LOCK NUT
8.4	1M204	1	1/2 STD Flatwasher	16	36324	1	COMPRESSION SPRING
8.5	1M207	1	5/16-18 X 3/4 INCS	17	1M274	1	5/16-18 X 1-1/4 INCS
8.6	1M205	1	RETAINING WASHER	18	1M206	2	3/8 STD FLAT WASHER
8.7	82305	1	1/4-20 X 3/4 INCS	19	1M206	1	3/8-16 X 4-1/2 INCS
8.8	82307	1	DRIVE BLOCK W/ZEK	20	37389	1	RETAINING WASHER
8.9	82305	1	1/4 STD. LOCKWASHER	21	1M207	1	3/8-16 W/LOCK NUT
8.10	56206	1	RH NEUTRAL LOCK PIVOT	22	1M204	2	1/4 STD. LOCKWASHER
9	82408	1	RH PUMP ROD ASSY.	23	1M202	2	1/4 STD. LOCKWASHER
9.1	82306	1	RH DRIVE ROD	24	1M271	9	5/16-18 X 3/4 INCS
9.2	42340	1	5/16-24 BALL STUD	25	1M271	1	SPRING
9.3	43382	1	5/16-24 END	26	82307	1	SEAT FRAME FRONT
9.4	1M272	2	5/16-24 JHM NUT	27	36317	1	HANDLE
10.1	82306	1	RH INT. - RH	28	82302	1	HANDLE GRIP
10.2	82304	1	NEUTRAL ARM	29	56203	1	HANDLE PLUG
10.3	1M271	1	5/16-18 X 1-1/4 INCS				



Hydro Components

HYDRO COMPONENTS

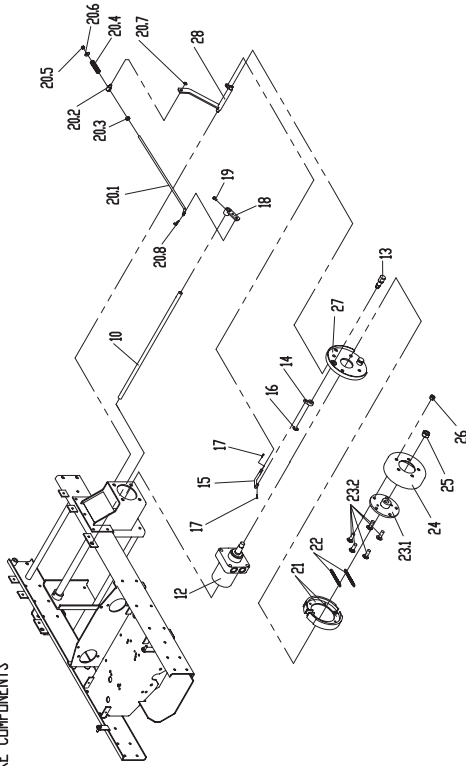


ITEM NO.	PART NUMBER	DESCRIPTION	QTY.
9	453153	WHEEL MOTOR	2
10	453166	PUMP - BDP10A	2
11	453167	90° ADAPTER	4
12	823185	PUMP TO PUMP FEED LINE	3
13	523058	RETURN ADAPTER	5
14	453074	90° ADAPTER	4
15	453106	SWIVEL TEE	2
16	453126	PUMP TO PUMP FEED LINE	1
17	823124	OIL RESERVOIR	1
18	423165	OIL BREATHER CAP	1
19	423064	FILTER HEAD	1
20	453043	SUCTION SCREEN	1
21	453128	REDUCER BUSHING	1
22	423361	OIL FILTER	1
23	423065	OIL EYE	1
24	583524	STRAIGHT ADAPTER	1
25	823186	OUTSIDE LINE - RH	1
26	823187	OUTSIDE LINE - LH	1
27	823188	INSIDE LINE - RH	1
28	823189	INSIDE LINE - LH	1



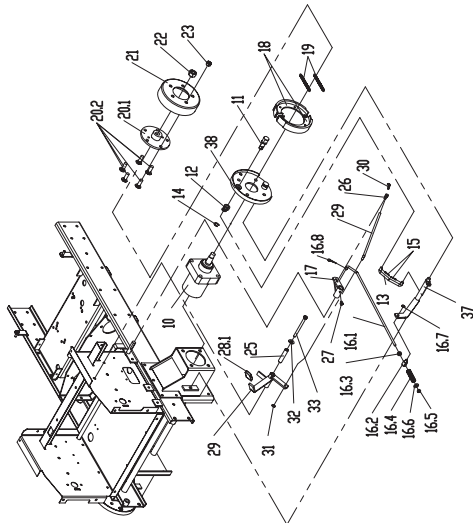
Brake Components

BRAKE COMPONENTS



ITEM NO.	PART NUMBER	DESCRIPTION	QTY.
10	823140	PARK SHAFT	1
12	453153	WHEEL MOTOR	1
13	423296	BRAKE CAM	1
14	423308	BRAKE CAM ARM	1
15	423312	BRAKE CAM LINK	1
16	106500	E-RING FOR 5/8 DIA	1
17	106753	3/2 X 3/4 COTTER PIN	2
18	422049	BRAKE CRANK V-LINK - PLATED	1
19	106501	1/4-28 X 1/2 HHCS	1
20	424016	BRAKE ROD ASSY	1
201	423128	PARK BRAKE LINK	1
202	423300	PARK BRAKE SWIVEL	1
203	523112	5/16 CLAMP COLLAR	1
204	523024	SPRING	1
205	104256	5/16-18 NYLOC NUT	1
206	106258	5/16 FLAT WASHER	1
207	363177	3/8 PUSH NUT	1
208	363165	#3 HAIRPIN COTTER	1
21	423276	BRAKE SHOE	2
22	423281	BRAKE SPRING	2
23	423275	WHEEL HUB	1
232	103014	1/2-20 UNF PRESS IN STUD	5
24	423310	BRAKE IRON 1 180	1
25	104511	3/4-16 HEX NUT	1
26	103023	1/2-20 LUG NUT	1
27	422110	CCV BACK PLATE - BRAKE	1
28	592064	BRAKE CONTROL RH	1

BRAKE COMPONENTS

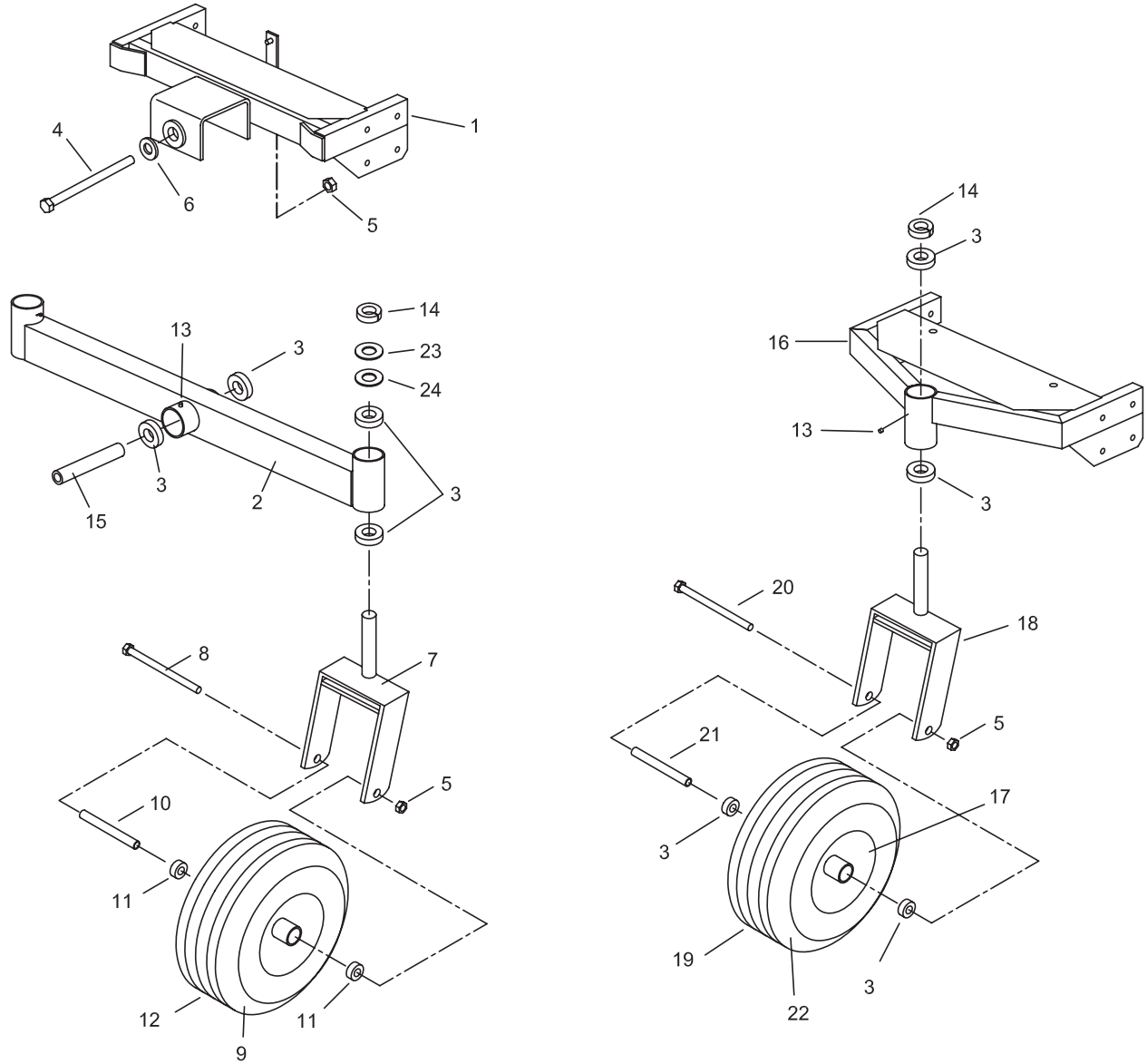


ITEM NO.	PART NUMBER	DESCRIPTION	QTY.
6	823048	BRAKE ROD UPPER	1
7	823066	BRAKE ROD - LOWER	1
8	823140	PARK SHAFT	1
10	453153	WHEEL MOTOR	1
11	423296	BRAKE CAM	1
12	423308	BRAKE CAM ARM	1
13	423312	BRAKE CAM LINK	1
14	106500	E-RING FOR 5/8 DIA	1
15	106753	3/2 X 3/4 COTTER PIN	2
16	424016	BRAKE ROD ASSY	1
16.1	423128	PARK BRAKE LINK	1
16.2	423300	PARK BRAKE SWIVEL	1
16.3	523112	5/16 CLAMP COLLAR	1
16.4	523024	SPRING	1
16.5	104256	5/16-18 NYLOC NUT	1
16.6	106258	5/16 FLAT WASHER	1
16.7	363177	3/8 PUSH NUT	1
16.8	363165	#3 HAIRPIN COTTER	1
17	422146	PARK BRAKE CRANK	1
18	423276	BRAKE SHOE	2
19	423281	BRAKE SPRING	2
20	423275	WHEEL HUB	1
20.2	103014	1/2-20 UNF PRESS IN STUD	5
21	423310	BRAKE IRON 1 180	1
22	104511	3/4-16 HEX NUT	1
23	103023	1/2-20 LUG NUT	1
25	363105	INLET BUSHING	1
26	363029	3/2 ROD SWIVEL	1
27	100501	1/4-28 X 1/2 HHCS	1
28	822070	BRAKE LEVER V/GRIP	1
28.1	363022	GRIP	1
29	823132	PARK BRAKE LINK	1
30	363165	#3 HAIRPIN COTTER	1
31	153045	5/16 PUSH NUT	1
32	106250	3/8 STD FLAT WASHER	1
33	100305	3/8-16 X 4-1/2 HHCS	1
36	592066	BRAKE CONTROL LH	1
37	422112	CCV BACK PLATE - BRAKE	1
38	422110	BRAKE CONTROL RH	1



Tail Wheel Components

TAIL WHEEL ASSEMBLIES

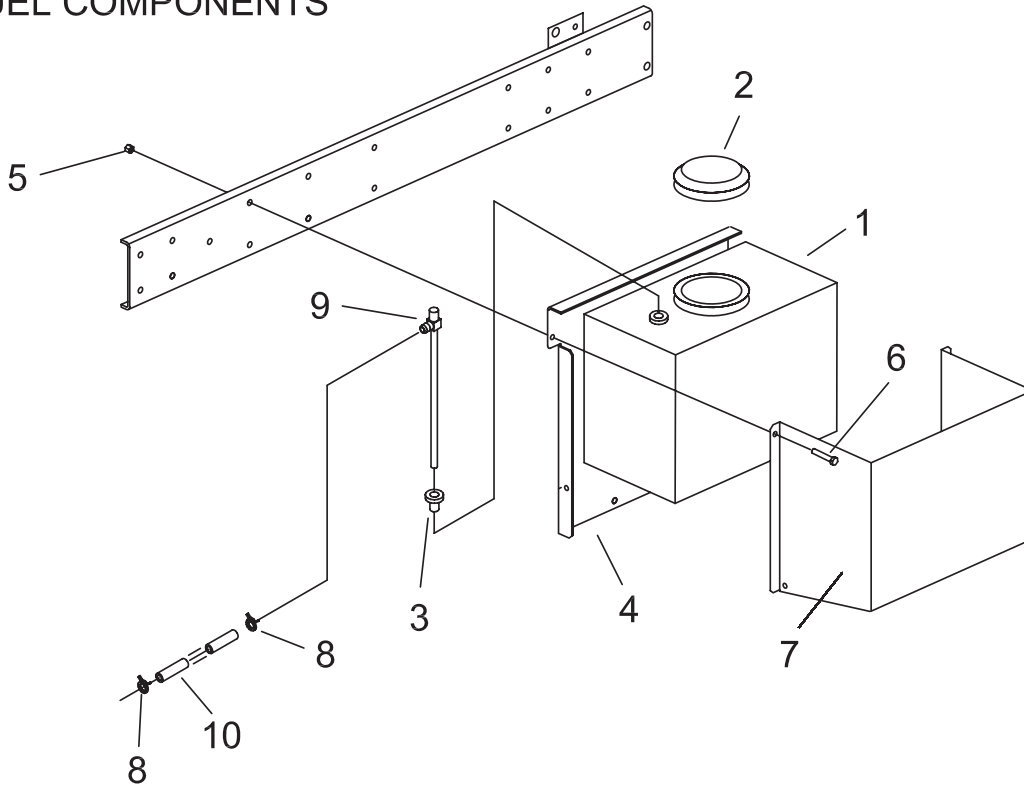


#	PART NUMBER	QTY.	DESCRIPTION	#	PART NUMBER	QTY.	DESCRIPTION
1	822086	1	ROCKER TAIL WHEEL FRAME	13	111005	4	1/8" NPT ZERK
2	822134	1	ROCKER AXLE	14	363145	3	1" CLAMP COLLAR
3	363187	10	DRIVE WHEEL BEARING	15	823217	1	PIVOT TUBE (RTW)
4	100350	1	5/8"-11 X 8" HEX BOLT	16	822016	1	TAIL WHEEL FRAME (SW)
5	104261	1	5/8"-11 NYLDC NUT	17	823338	1	6 X 5 3/4" RIM W/VALVE STEM
6	105268	1	5/8" FLAT WASHER	18	822088	1	WIDE TAIL WHEEL STRUT
7	522097	1	13" STRUT	19	823220	1	WIDE TAIL WHEEL
8	100348	2	5/8"-11 X 7" HEX BOLT	20	100352	1	5/8"-11 X 9" HEX BOLT
9	123049	1	13-5.00 X 6" TIRE	21	823245	1	AXLE TUBE (WTW)
10	523098	2	AXLE TUBE	22	823339	1	13-6.50 X 6 TIRE
11	523302	4	WHEEL BEARING	23	583171	2	FLAT WASHER
12	523280	1	WHEEL COMPLETE	24	105501	2	WAVY WASHER



Fuel Components

FUEL COMPONENTS



28hp A/C Kaw

ITEM NUMBER	PART NUMBER	QUANTITY	DESCRIPTION
1	823178	1	FUEL TANK
2	823179	1	LARGE FUEL CAP
3	393042	1	GROMMET
4	823291	1	FUEL TANK CHANNEL
5	104256	4	5/16"-18 NYLOC NUT
6	100271	4	5/16"-18 X 3/4" HEX BOLT
7	822060	1	GAS TANK BRACKET
8	363098	2	GAS LINE CLAMP
9	823181	1	VALVE DROP TUBE
10	823307	1	1/4" FUEL LINE - 45" LG (28KAWAC)

27hp L/Q Kaw

ITEM NUMBER	PART NUMBER	QUANTITY	DESCRIPTION
1	823178	1	FUEL TANK
2	823179	1	LARGE FUEL CAP
3	393042	1	GROMMET
4	823291	1	FUEL TANK CHANNEL
5	104256	4	5/16"-18 NYLOC NUT
6	100271	4	5/16"-18 X 3/4" HEX BOLT
7	822060	1	GAS TANK BRACKET
8	523185	2	GAS LINE CLAMP
9	823180	1	VALVE DROP TUBE
10	583523	1	5/16" FUEL LINE - 46" LG (27KAWLQ)



Decal List

DECAL LIST

PART NUMBER	QTY.	DESCRIPTION	PART NUMBER	QTY.	DESCRIPTION
423176	1	Park Lever Decal	823325	1	Thrown Objects Danger Decal
523020	1	Light Decal	823327	1	Discharge Danger Decal
823259	1	Deck Tilt Decal	823326	1	Discharge Warning Decal
423155	1	Rider Caution Decal	823260	1	Cutting Height Decal
823322	2	Rotating Parts Danger Decal	823324	1	Shield Danger Decal
823320	1	Battery Warning Decal	523467	1	Pro 52 Decal
823319	1	Tip Over Decal	363243	1	Small Encore Label
823318	1	Fuel Tank Decal	583088	1	Prowler Black Decal
583076	2	Prowler Decal	583192	1	Pro 61 Decal
363265	1	Small Encore Logo	423196	1	Belt Routing Decal
823321	1	Operating Warning Decal	823323	1	Rotating Parts Warning Decal

Notes

Notes

Notes

