



**42K17Z**

**PARTS  
MANUAL**



# Table of Contents

■ QUICK REFERENCE GUIDE FOR 42K17Z.....	A - 1
■ DECK COMPONENTS .....	B - 1
■ DECK LIFT COMPONENTS .....	C - 1
■ FRAME COMPONENTS.....	D - 1
■ DRIVE COMPONENTS .....	E - 1
■ CONTROL COMPONENTS	
LINKAGE PARTS.....	F - 1
RIGHT HAND CONTROL BOX PARTS.....	F - 3
LEFT HAND CONTROL BOX PARTS .....	F - 5
■ BRAKE COMPONENTS	
RIGHT HAND SIDE .....	G - 1
LEFT HAND SIDE.....	G - 3
■ HYDRO COMPONENTS .....	H - 1
■ FUEL COMPONENTS .....	I - 1
■ ELECTRICAL SCHEMATICS.....	J - 1
■ DECAL LIST.....	K - 1
■ BLANK NOTE PAGES	

## 42K17Z

### Engine

17hp Kawasaki electric FH500V-BS24

### Blades

423029	14.25" blade	14 1/8"
423014	low lift blade	14 1/4"
423173	mulch blade	13 7/8"
423210	super hi-lift blade	14 1/16"

### Belts

423018	deck drive belt
423272	pump belt

### Tires

823183	wheel/tire assy
823337	drive tire (20x10x10)
823336	rim w/ valvestem
823363	knobby tire assy
423218	knobby tire (20x11x10)
823364	rim - offset (10x7)
583007	bar lug tire (21x11x10)
423103	front caster complete
423256	tube (11x4x5 front caster)
423257	tire (11x4x5 front caster)
423229	front 5" rim w/ bearing
422143	front axle w/ bearings

### Spindles

583106	spindle assy comp.
583111	housing
363350	bearing
583112	shaft
583113	brg. Spacer tube

### Transmission

453153	wheel motor TD0195UR250AAA Seal Kit #453154
423330	hydro pump BDP-10A-438 Seal Kit #583514
423361	hydro filter

\*\*\*synthetic hydro oil capacity approx. 2.7 qts.

**Throttle** 363352

**Choke** 423153

**Wire Harness** 423351

**Safety Module** 423030

### Electrical Components

423027	Ignition Switch
423017	Starter Relay
523034	Park Brake Switch
593041	Neutral Switch
523031	PTO Switch
523030	Seat Switch
523283	Hour Meter

**Clutch** 423285

### Torque Specs

65 ft-lbs	blade bolt
90 ft-lbs	nut on top of spindle
50 ft-lbs	clutch bolt
175-200 ft-lbs	wheel motor axle nut

### Front Caster Bearings

423200	bearing
423201	bearing retainer

### Brakes

422110	ccw backplate - brake
422112	cw backplate - brake
423312	brake link
423310	brake drum
423276	brake shoe
423281	brake spring

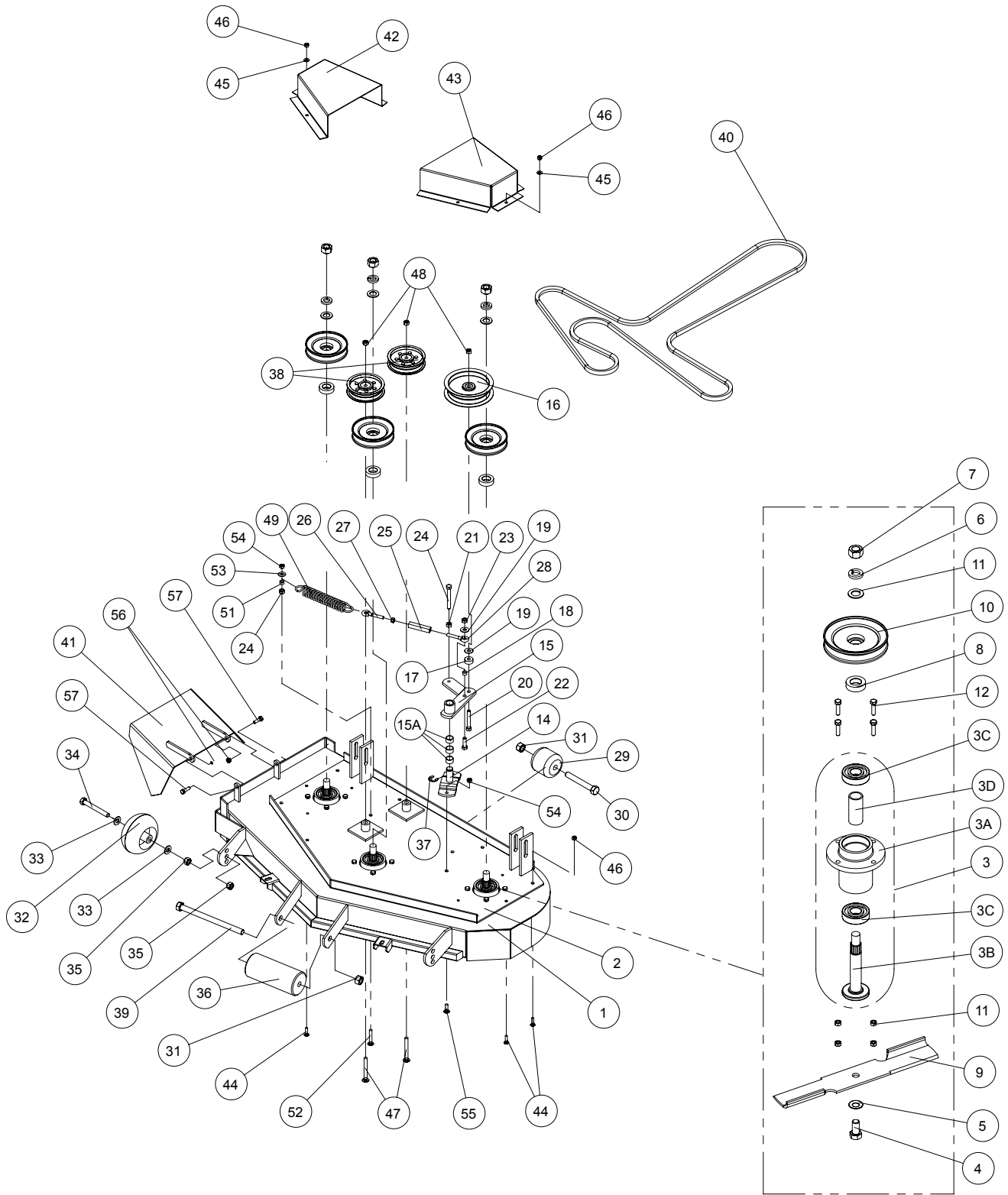
### Seat

423246	seat complete w/o tracks
583089	seat cushion
583090	back cushion
593097	molded arm rest

**Muffler** 423278

**Gasket** 423324

# Z42 Deck Components



# Z42

## Deck Components

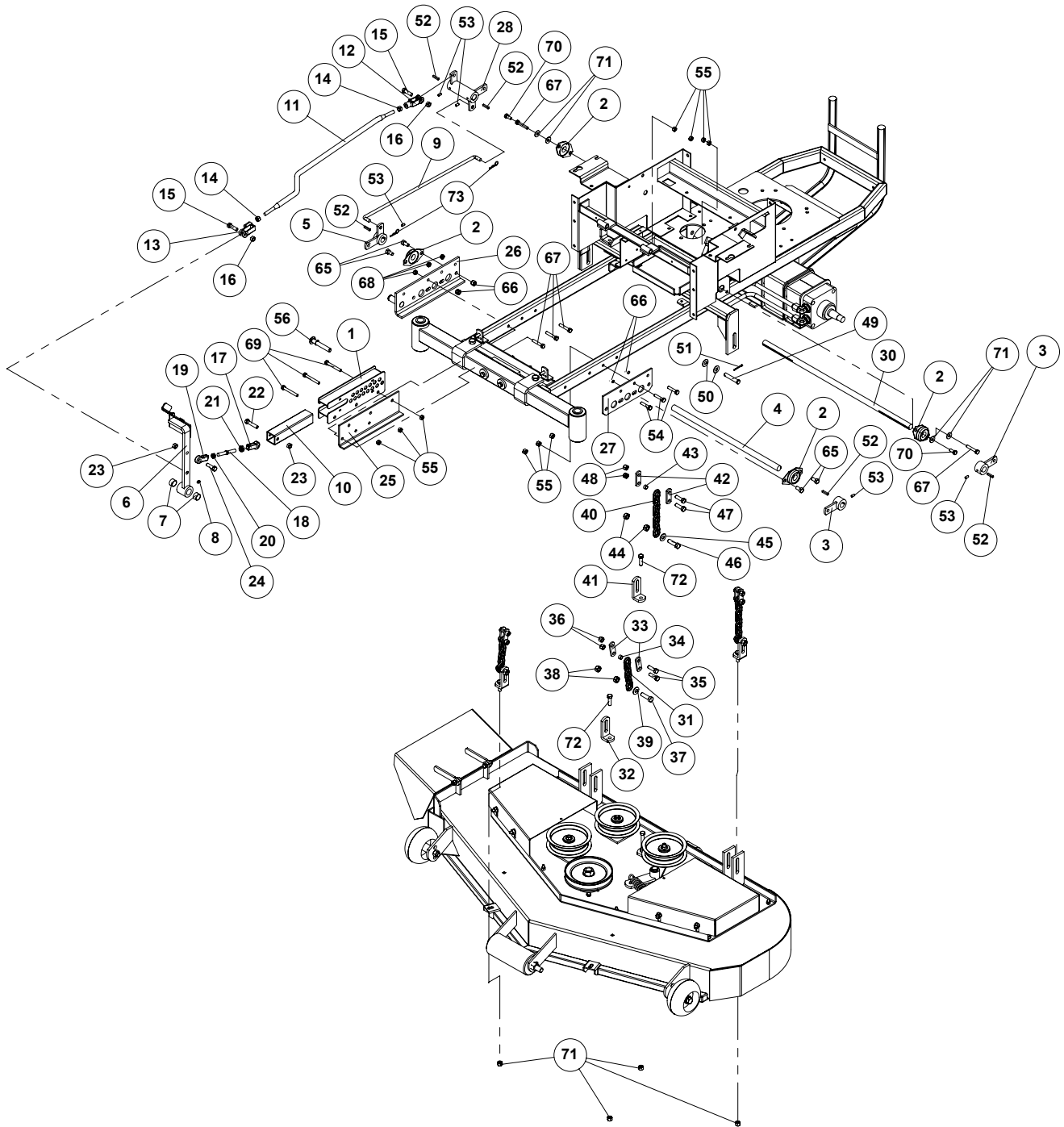
#	PART NO.	QTY.	DESCRIPTION
1	422094	1	42" DECK - WELDMENT - PAINTED
2	422002	1	42" SUB-PLATE - WELDMENT - PAINTED
3	583106	3	BLADE SPINDLE ASSY.
3A	583111	1	SPINDLE HOUSING
3B	583112	1	SPINDLE SHAFT
3C	363350	2	SPINDLE BEARING
3D	583113	1	BEARING SPACER TUBE
4	100355	1	5/8-11 X 1-1/4 HHCS
5	583108	1	5/8 DISC SPRING WASHER
6	105010	1	3/4 LOCK WASHER
7	104511	1	3/4-16 HEX NUT
8	583110	1	PULLEY SPACER
9	423029	1	14.25" HIGH LIFT BLADE
10	423262	1	5" HEX PULLEY
11	105269	1	3/4 SAE FLATWASHER
12	100274	4	5/16-18 X 1-1/4 HHCS
13	104256	4	5/16 NYLOCK NUT
14	522104	1	OFFSET PIVOT
15	422108	1	TENSIONER W/BRNZ BUSHINGS
15A	363089	3	BRONZE BUSHING
16	373068	1	ENGAGEMENT IDLER
17	483017	1	RH IDLER SPACER
18	363174	1	EYEBOLT SPACER
19	105260	2	3/8 STD. FLATWASHER
20	100298	1	3/8-16 X 2-1/2
21	109007	2	3/8-16 WHIZLOCK NUT
22	100293	1	3/8-16 X 1-1/4 HHCS
23	104257	1	3/8-16 NYLOCK NUT
24	100300	1	3/8-16 X 3 HHCS
25	363172	1	TURNBUCKLE BODY
26	363080	1	RIGHT EYEBOLT
27	109001	1	5/16-18 WHIZLOCK NUT - ZINC PLATED
28	363082	1	LEFT EYEBOLT
29	523084	1	REAR DECK ROLLER
30	100346	1	5/8-11 X 4-1/2
31	104261	2	5/8-11 HEX NUT
32	423023	1	DECK ROLLER
33	105264	2	1/2 FLAT WASHER
34	100335	1	1/-13 X 4 HHCS
35	104509	2	1/2-13 HEX NUT
36	603023	1	FRONT ANTI-SCALP ROLLER
37	108509	1	3/4 E-Ring
38	523329	2	FLAT IDLER

# Z42

## Deck Components

#	PART NO.	QTY.	DESCRIPTION
39	100351	1	5/8-11 X 8-1/2 HHCS
40	423018	1	DECK DRIVE BELT
41	422070	1	GRASS DEFLECTOR
42	423364	1	Z42 METAL BELT GUARD - RH
43	423366	1	Z42 METAL BELT GUARD - LH
44	107510	3	1/4-20 X CARR BOLT
45	105256	2	1/4 FLAT WASHER
46	104255	3	1/4 NYLOCK NUT
47	107506	2	3/8-16 X 3-1/4 CARR BOLT
48	109007	2	3/8 WHIZLOCK NUT
49	523327	1	FLOATING IDLER SPRING
50	109007	1	3/8-16 WHIZLOCK NUT
51	363174	1	EYEBOLT SPACER
52	107508	1	5/16-18 X 2 CARRIAGE BOLT - GRADE 5
53	105258	1	5/16 FLAT WASHER
54	109001	2	5/16 NYLOCK NUT
55	107509	1	5/16-18 X 1 CARRIAGE BOLT - GRADE 5
56	104256	2	5/16 NYLOCK NUT
57	100273	2	5/16-18 X 1 HHCS

# Z42 Deck Lift Components



# Z42

## Deck Lift Components

#	PART NO.	QTY.	DESCRIPTION
1	342016	1	HEIGHT CONTROL
2	423140	4	3/4" 2 BOLT BEARING
3	422041	2	DECK LIFT ARM
4	423098	1	FRONT DECK LIFT SHAFT
5	422043	1	DECK LIFT CRANK
6	422144	1	DECK LIFT PEDAL W/BUSH
7	363089	2	BRONZE BUSHING
8	111004	1	ZERK 1/4-28
9	423120	1	DECK LIFT ROD
10	343093	1	DECK HEIGHT TUBE
11	423336	1	DECK LIFT ROD
12	363192	1	LARGE YOKE
13	423353	1	OFFSET ROD END
14	109008	2	3/8-24 WHIZLOCK NUT
15	100293	2	3/8-16 X 1-1/4 HHCS
16	104257	2	3/8-16 NYLOCK
17	523104	1	3/8 ROD END
18	343158	1	FOOT PEDAL LINK
19	343160	1	LIFT ROD END - LH
20	104754	1	3/8-24 HEX JAM NUT
21	109037	1	3/8-24 HEX LH JAM NUT
22	100295	1	3/8-16 X 1-3/4 HHCS
23	104257	2	3/8-16 NYLOCK
24	100293	1	3/8-16 X 1-1/4 HHCS
25	423322	1	HEIGHT GAGE MOUNT
26	422128	1	LIFT MOUNT
27	423344	1	LH LIFT MOUNT
28	422124	1	DECK LIFT HUB
29	422056	1	SPRING ASSIST ARM
30	423096	1	REAR DECK LIFT SHAFT
31	423359	2	FRONT CHAIN
32	423358	2	DECK LIFT ANGLE
33	423356	4	LIFT CHAIN LINK
34	363174	2	EYE BOLT SPACER
35	100293	4	3/8-16 X 1-1/4 HHCS
36	104257	4	3/8-16 NYLOCK NUT
37	100311	2	7/16-14 X 1 1/2 HHCS
38	109027	4	7/16-14 WHIZLOC NUT
39	105260	2	3/8 STD. FLAT WASHER
40	423360	2	REAR CHAIN
41	423358	2	DECK LIFT ANGLE
42	423356	4	LIFT CHAIN LINK
43	363174	2	EYE BOLT SPACER

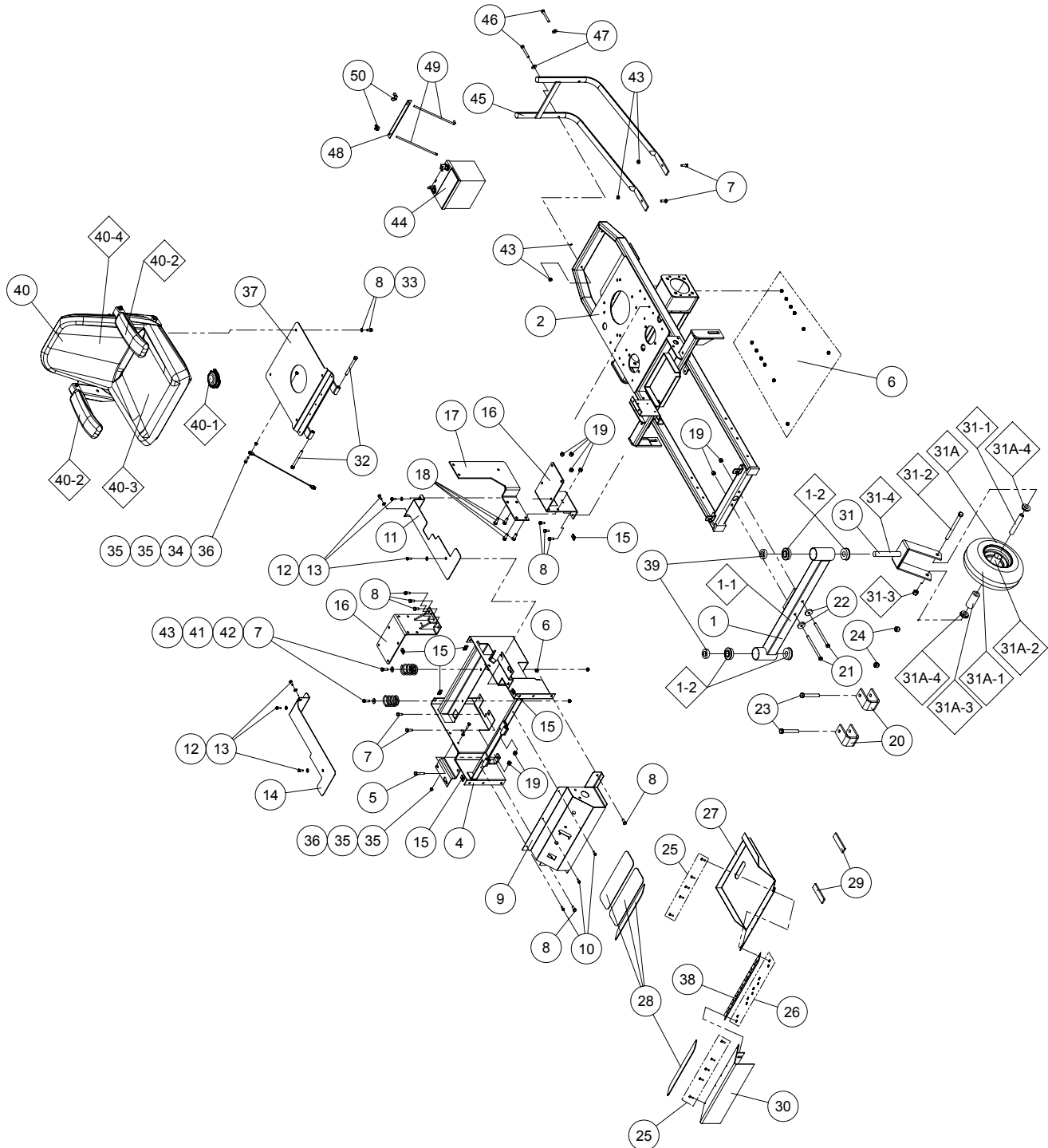


# Z42

## Deck Lift Components

#	PART NO.	QTY.	DESCRIPTION
44	109027	4	7/16-14 WHIZLOC NUT
45	105260	2	3/8 STD. FLAT WASHER
46	100311	2	7/16-14 X 1 1/2 HHCS
47	100293	4	3/8-16 X 1-1/4 HHCS
48	104257	4	3/8-16 NYLOCK NUT
49	523242	1	7/16 CLEVIS PIN - LONG
50	105260	2	3/8 STD. FLAT WASHER
51	106763	1	1/8 X 1-1/4 COTTER PIN
52	107255	6	3/16 X 3/16 X 1 MACH KEY
53	103292	6	1/4-28 KNURL POINT SET SCREW
54	100275	3	5/16-18 X 1 1/2 HHCS
55	104256	11	5/16 NYLOCK NUT
56	109036	1	DECK HEIGHT PIN ASSY
57	XXXXXX	X	XXXXXXXXXX
58	XXXXXX	X	XXXXXXXXXX
59	XXXXXX	X	XXXXXXXXXX
60	XXXXXX	X	XXXXXXXXXX
61	XXXXXX	X	XXXXXXXXXX
62	XXXXXX	X	XXXXXXXXXX
63	XXXXXX	X	XXXXXXXXXX
64	XXXXXX	X	XXXXXXXXXX
65	100291	4	3/8-16 X 3/4 HHCS
66	104257	8	3/8-16 NYLOCK NUT
67	100276	5	5/16-18 X 1-3/4 HHCS
68	109001	3	5/16 NYLOCK NUT
69	100279	3	5/16-18 X 2 1/2 HHCS
70	100271	2	5/16-18 X 3/4 HHCS
71	105258	4	5/16 FLAT WASHER
72	100293	4	3/8-16 X 1-1/4 HHCS
73	363165	2	HAIRPIN COTTER

# Z42 Frame Components



# Z42

## Frame Components

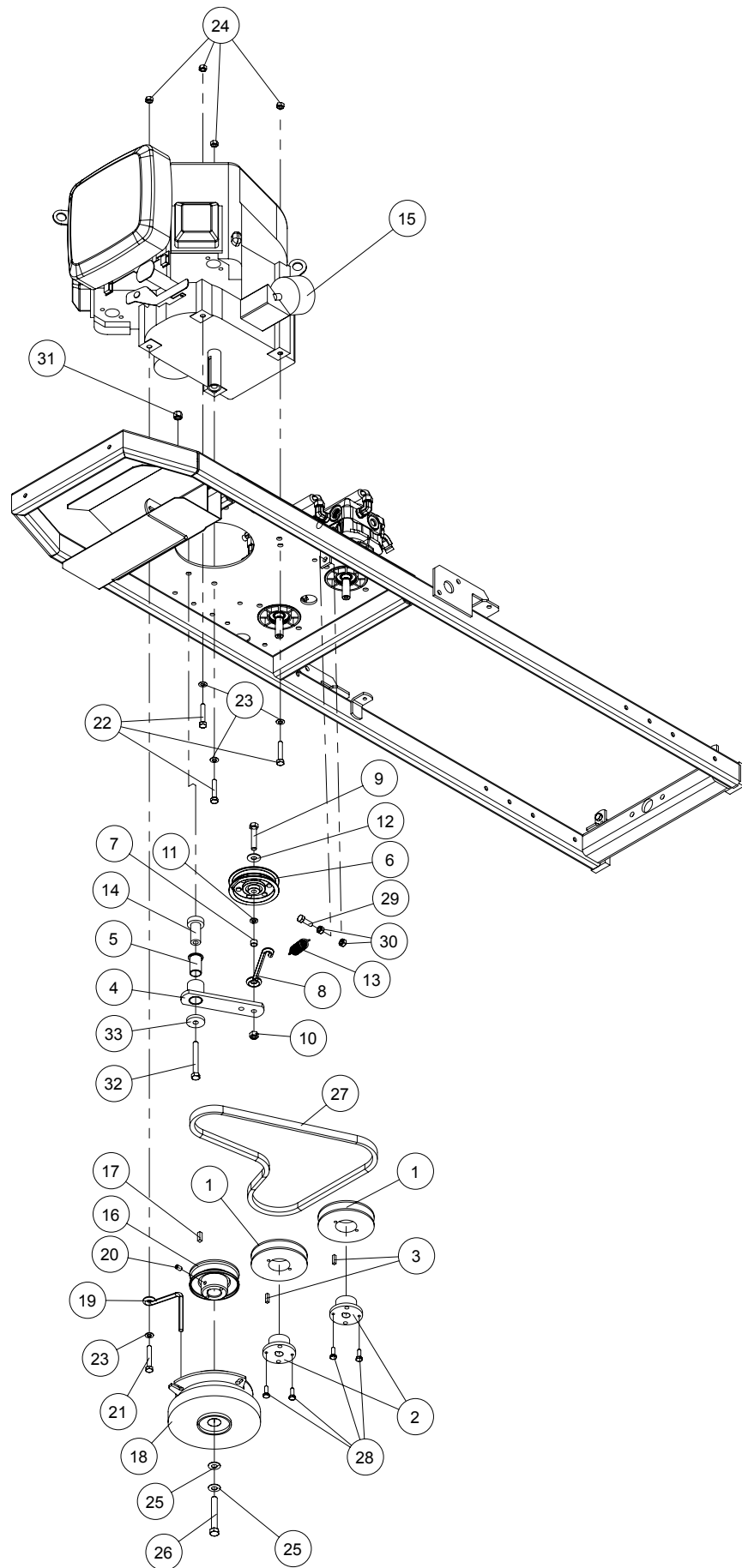
#	PART NO.	QTY.	DESCRIPTION
1	522160	1	FRONT AXLE RIGID W/ BEARINGS
1-1	422126	1	FRONT AXLE
1-2	423109	4	7/8" FLANGE BEARING
2	422008	1	MAIN FRAME WLDMNT - PNTD
3	422140	1	DECK SUPPORT TUBE
4	422142	1	SEAT FRAME WLDMNT - PNTD
5	100276	2	5/16-18 X 1-3/4 HHCS
6	109001	16	5/16 NYLOCK NUT
7	100273	6	5/16-18 X 1 HHCS
8	100271	14	5/16-18 X 3/4 HHCS
9	422148	1	CONTROL PANEL - Z
10	102000	3	SELF TAPPING SCREW #12-24 X 5/8
11	423372	1	LH SEAT FRAME COVER
12	105256	6	1/4 FLAT WASHER
13	100252	6	1/4-20 X 3/4 HHCS
14	423370	1	RH SEAT FRAME COVER
15	109015	6	1/4-20 NUT CLIP
16	422138	2	REAR TANK MOUNT
17	422136	1	OIL TANK MOUNT
18	100292	4	3/8-16 X 1 HHCS
19	104257	8	3/8-16 NYLOCK NUT
20	523481	2	AXLE MOUNT
21	100307	2	3/8-16 X 5-1/2 HHCS
22	373089	2	RETAINING WASHER
23	100334	2	1/2-13 X 3-1/2 HHCS
24	104259	2	1/2-13 NYLOCK NUT
25	101039	10	#10-24 X 5/8 PAN HEAD
26	104252	10	#10-24 NYLOCK NUT
27	423338	1	FOOT PLATE
28	423302	4	Z - STEP TREAD
29	363201	2	TANK PAD
30	422134	1	FOOT PLATE WELDMENT
31	424009	2	CASTER ASSY ( COMPLETE )
31-1	363307	1	AXLE TUBE
31-2	100339	1	1/2-13 X 6 HHCS
31-3	104259	1	1/2-13 NYLOCK NUT
31A	423103	1	FRONT CASTER WHEEL - COMPLETE
31A-1	423257	1	TIRE ( 11X4X5 ) ONLY
31A-2	423229	1	5" RIM W/BEARINGS
31A-3	423200	1	BEARING
31A-4	423201	2	BEARING RETAINER
31-4	422016	1	FRONT CASTER YOKE - PNTD
32	100303	2	3/8-16 X 4 HHCS

# Z42

## Frame Components

#	PART NO.	QTY.	DESCRIPTION
33	105005	4	5/16 LOCK WASHER
34	523044	1	SEAT CABLE
35	109000	4	1/4-20 WHIZLOCK NUT
36	100004	2	1/4-20 X 1 HHCS
37	422132	1	SEAT PLATE
38	523105	1	SEAT HINGE
39	423071	2	7/8 CLAMP COLLAR
40	423246	1	SEAT LT. GREY W/O TRACK
40-1	523030	1	SEAT SWITCH
40-2	593097	2	ARM REST PAD - GREY/MOLDED
40-3	583089	1	SEAT CUSHION - LT GRAY
40-4	583090	1	BACK CUSHION - LT GREY
41	523278	2	SEAT SPRING
42	105258	2	5/16 FLAT WASHER
43	104256	6	5/16 NYLOCK NUT
44	423142	1	BATTERY, U1-9
45	422068	1	REAR SKID BRKT - PAINTED
46	100279	2	HFBOLT 0.3125-18x2.5x2.5-N
47	105257	2	5/16 SAE WASHER
48	423011	1	HOLD-DOWN ANGLE - PNTD
49	423172	2	BATTERY HOLDDOWN - PLATED
50	109012	2	1/4 WING NUT

# Z42 Drive Components

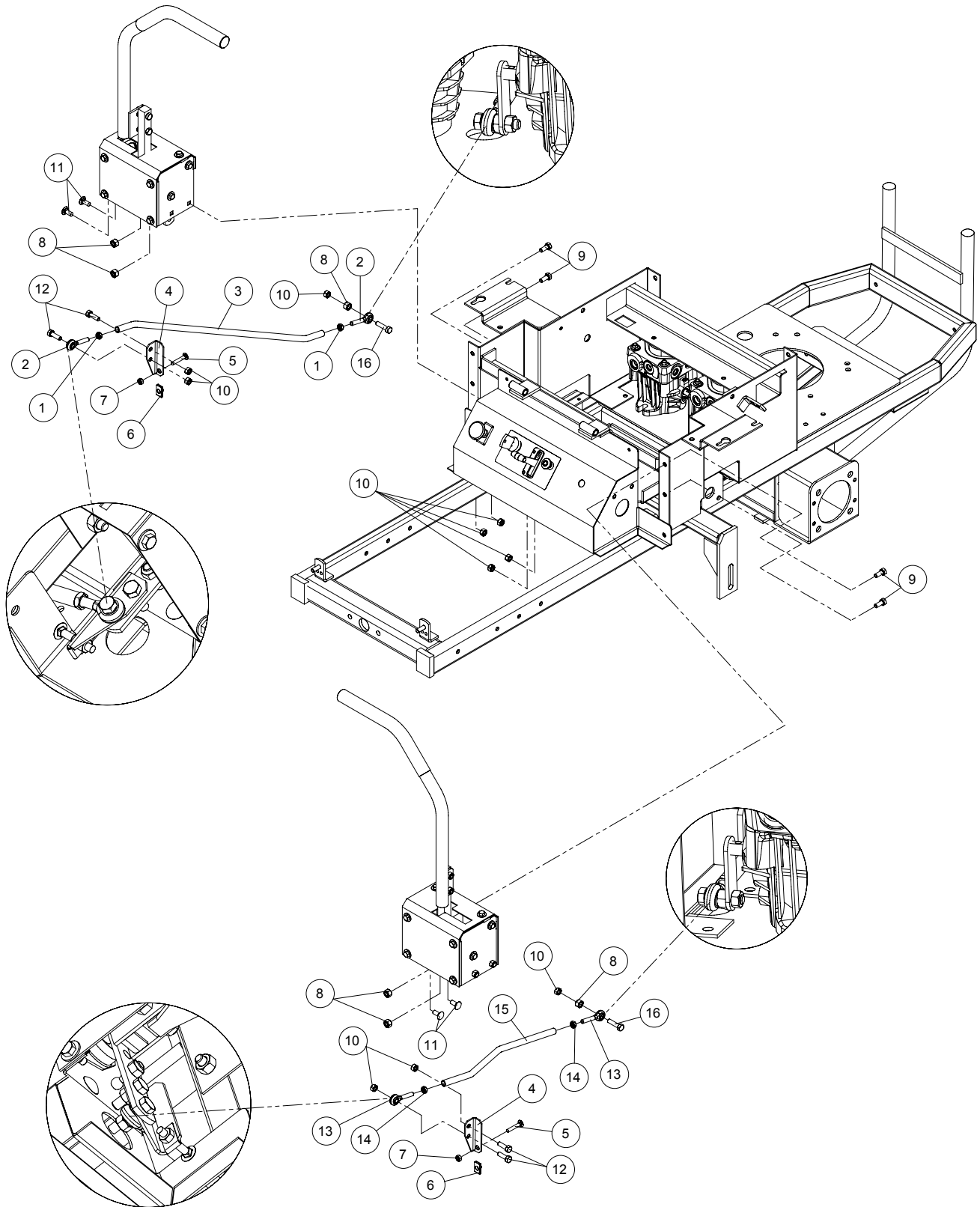


# Z42

## Drive Components

#	PART NO.	QTY.	DESCRIPTION
1	423177	1	PUMP PULLEY - TAPER
2	423178	1	15MM TAPER HUB
3	453102	1	PUMP KEY
4	422025	1	TENSIONER W/BUSHING
5	523111	1	3/4 PLASTIC BUSHING
6	523328	1	FLAT IDLER
7	363174	1	EYE BOLT SPACER
8	423122	1	PUMP TENSION ROD
9	100296	1	3/8 - 16 X 2 HHCS
10	109007	1	3/8-16 WHIZLOCK NUT
11	105006	1	3/8 LOCK WASHER
12	105260	1	3/8 STD. FLATWASHER
13	553007	1	IDLER SPRING
14	423175	1	PUMP IDLER PIVOT
15	xxxxxx	1	Engine
16	423231	1	DRIVE PULLEY - PUMP
17	107258	1	1/4 X 1/4 X 3/4 MACH. KEY
18	423285	1	ELECTRIC CLUTCH - 125 LB
19	373070	1	BELT GUIDE - LONG
20	103293	1	5/16 - 18 SET SCREW
21	100277	1	5/16-18 X 2 HHCS
22	100276	3	5/16-18 X 1-3/4 HHCS
23	363226	4	SPRING DISK WASHER
24	104256	4	5/16-18 NYLOCK
25	423069	2	7/16 SPRING DISC WASHER
26	100536	1	7/16-20 X 3 HHCS
27	423272	1	PUMP DRIVE BELT
28	100252	4	1/4-20 X 3/4 HHCS
29	100273	1	5/16-18 X 1 HHCS
30	104256	2	5/16-18 WHIZLOCK
31	104257	1	3/8-16 NYLOCK NUT
32	100300	1	3/8-16 x 3 HHCS
33	373089	1	RETAINING WASHER

# Z42 Steering Components - Linkage



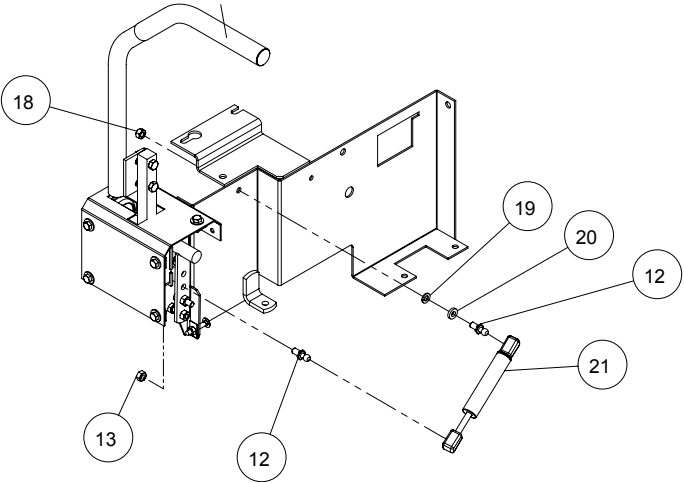
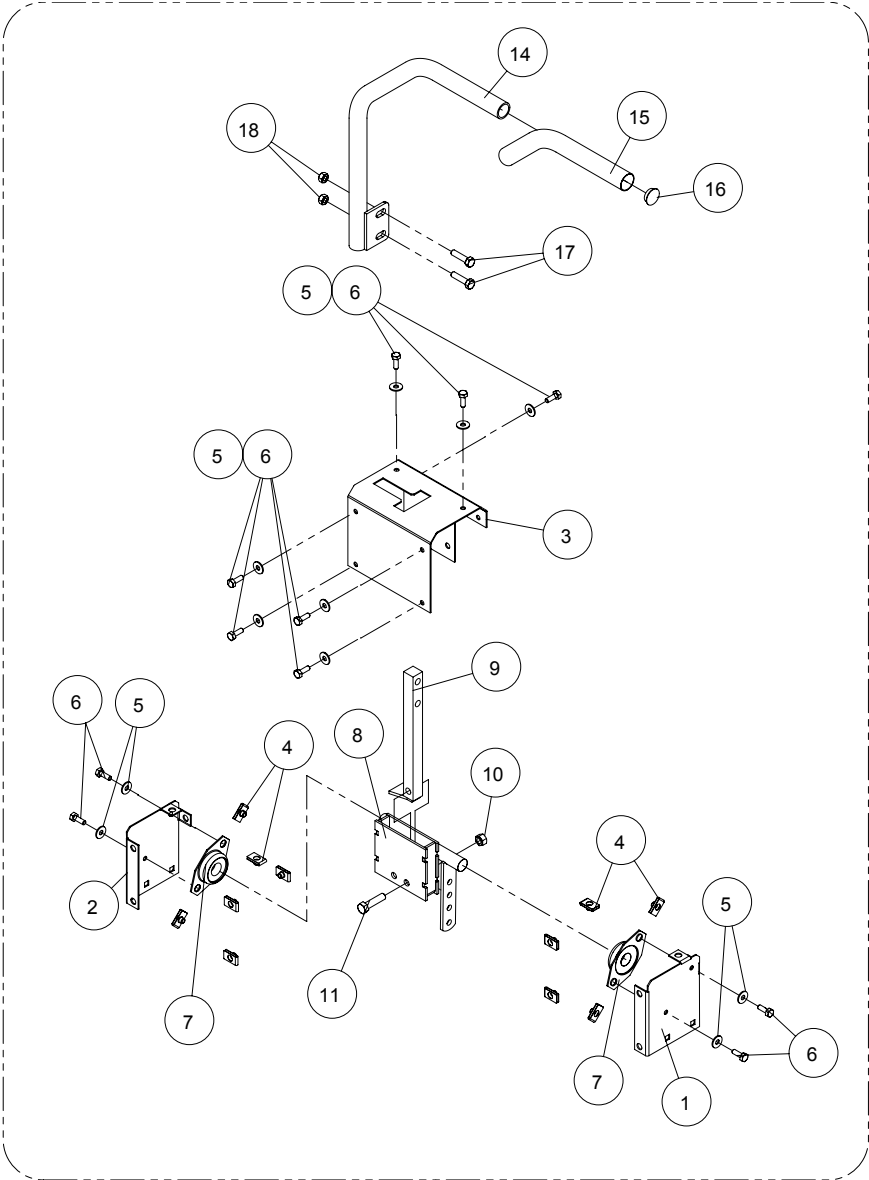
# Z42

## Steering Components - Linkage

#	PART NO.	QTY.	DESCRIPTION
1	104752	2	5/16-24 JAM NUT
2	453082	2	5/16 ROD END
3	423318	1	CONTROL LINK - RH
4	423376	2	LEVER STOP ANGLE
5	107523	2	1/4-20 x 1-1/2 CARR HD BOLT
6	109015	2	1/4-20 NUT CLIP
7	109000	2	1/4 - 20 WHIZ LOCK NUT
8	104256	7	5/16 NYLOCK NUT
9	100271	4	5/16-18 X 3/4 HHCS
10	104256	10	5/16-18 WHIZLOCK
11	107503	4	5/16-18 X 3/4 CARR BOLT
12	100273	4	5/16-18 X 1 HHCS
13	453082	2	5/16 ROD END
14	104752	2	5/16-24 JAM NUT
15	423317	1	CONTROL LINK - LH
16	100274	2	5/16-18 X 1-1/4 HHCS



# Z42 Steering Components - RH Handles



# Z42

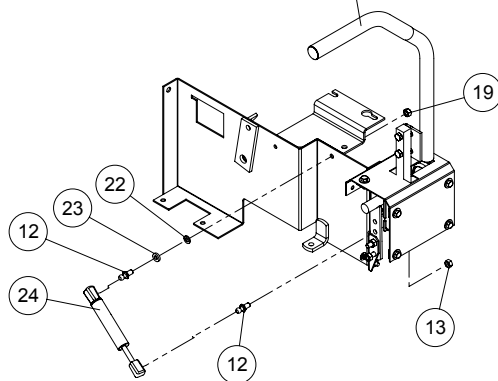
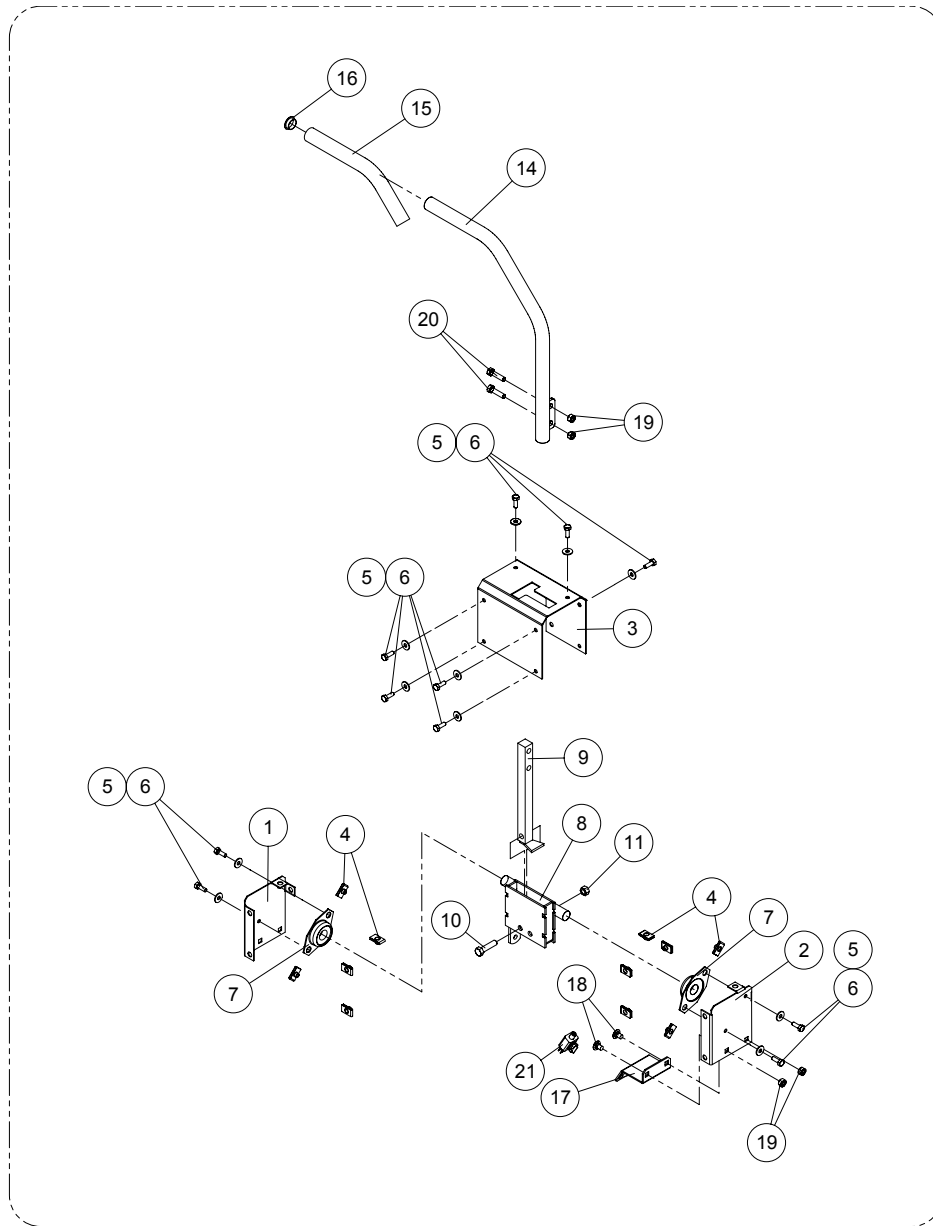
## Steering Components - Right Hand

#	PART NO.	QTY.	DESCRIPTION
1	593028	1	LH CONTROL COVER
2	593026	1	RH CONTROL COVER
3	593022	1	RH CONTROL MOUNT
4	109015	11	1/4-20 NUT CLIP
5	105004	11	1/4 STD. LOCKWASHER
6	100252	11	1/4-20 X 3/4 HHCS
7	423140	2	3/4" 2 BOLT BEARING
8	592024	1	CONTROL PIVOT RIGHT
9	592060	1	HANDLE BAR w/stop WELDMENT
10	104257	1	3/8-16 NYLOCK
11	100294	1	3/8-16 - 1-1/2 HHCS
12	823221	2	10 MM BALL STUD (SEE NOTE 1)
13	104256	2	5/16-18 NYLOC NUT (SEE NOTE 1)
14	592041	1	HANDLE RH w / GRIP
15	523032	1	HANDLE GRIP
16	523033	1	HANDLE PLUG
17	100274	2	5/16-18 X 1-1/4 HHCS
18	109001	2	5/16-18 WHIZLOCK NUT (SEE NOTE 1)
19	105005	1	5/16 LOCKWASHER - HEAV (SEE NOTE 1)
20	253075	1	CABLE ANCHOR SPACER (SEE NOTE 1)
21	823201	1	ANTI BUCK CYLINDER (SEE NOTE 1)

**NOTE:**

1. ON UNITS AFTER S/N 46679

# Z42 Steering Components - LH Handles



# Z42

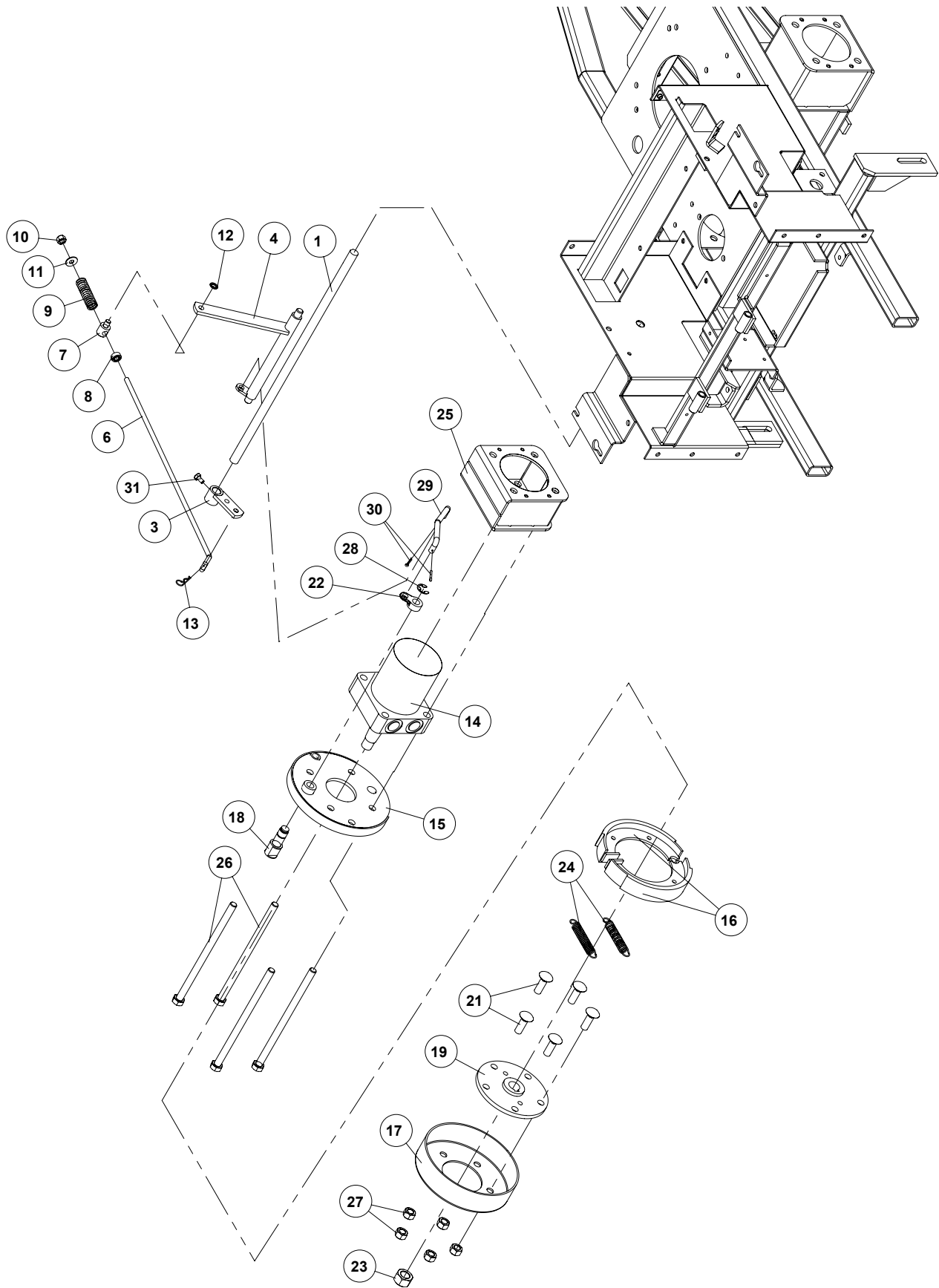
## Steering Components - Left Hand

#	PART NO.	QTY.	DESCRIPTION
1	593026	1	RH CONTROL COVER
2	593028	1	LH CONTROL COVER
3	593024	1	LH CONTROL MOUNT
4	109015	11	1/4-20 NUT CLIP
5	105004	11	1/4 STD. LOCKWASHER
6	100252	11	1/4-20 X 3/4 HHCS
7	423140	2	3/4" 2 BOLT BEARING
8	592026	1	CONTROL PIVOT LEFT
9	592060	1	HANDLE BAR w/stop WELDMNT
10	100294	1	3/8-16 - 1-1/2 HHCS
11	104257	1	3/8-16 NYLOCK
12	823221	2	10 MM BALL STUD (SEE NOTE 1)
13	104256	2	5/16-18 NYLOC NUT (SEE NOTE 1)
14	592042	1	HANDLE LH w / GRIP
15	523032	1	HANDLE GRIP
16	523033	1	HANDLE PLUG
17	593048	1	SWITCH MOUNT - NEUTRAL
18	107519	2	5/16-18 X 1/2 CARR BOLT
19	109001	4	5/16-18 WHIZLOCK NUT (SEE NOTE)
20	100274	2	5/16-18 X 1-1/4 HHCS
21	593041	1	NEUTRAL SWITCH
22	105005	1	5/16 LOCKWASHER - HEAV (SEE NOTE 1)
23	253075	1	CABLE ANCHOR SPACER (SEE NOTE 1)
24	823201	1	ANTI BUCK CYLINDER (SEE NOTE 1)

**NOTE:**

1. ON UNITS AFTER S/N 46679

# Z42 Brake Components - Right Hand

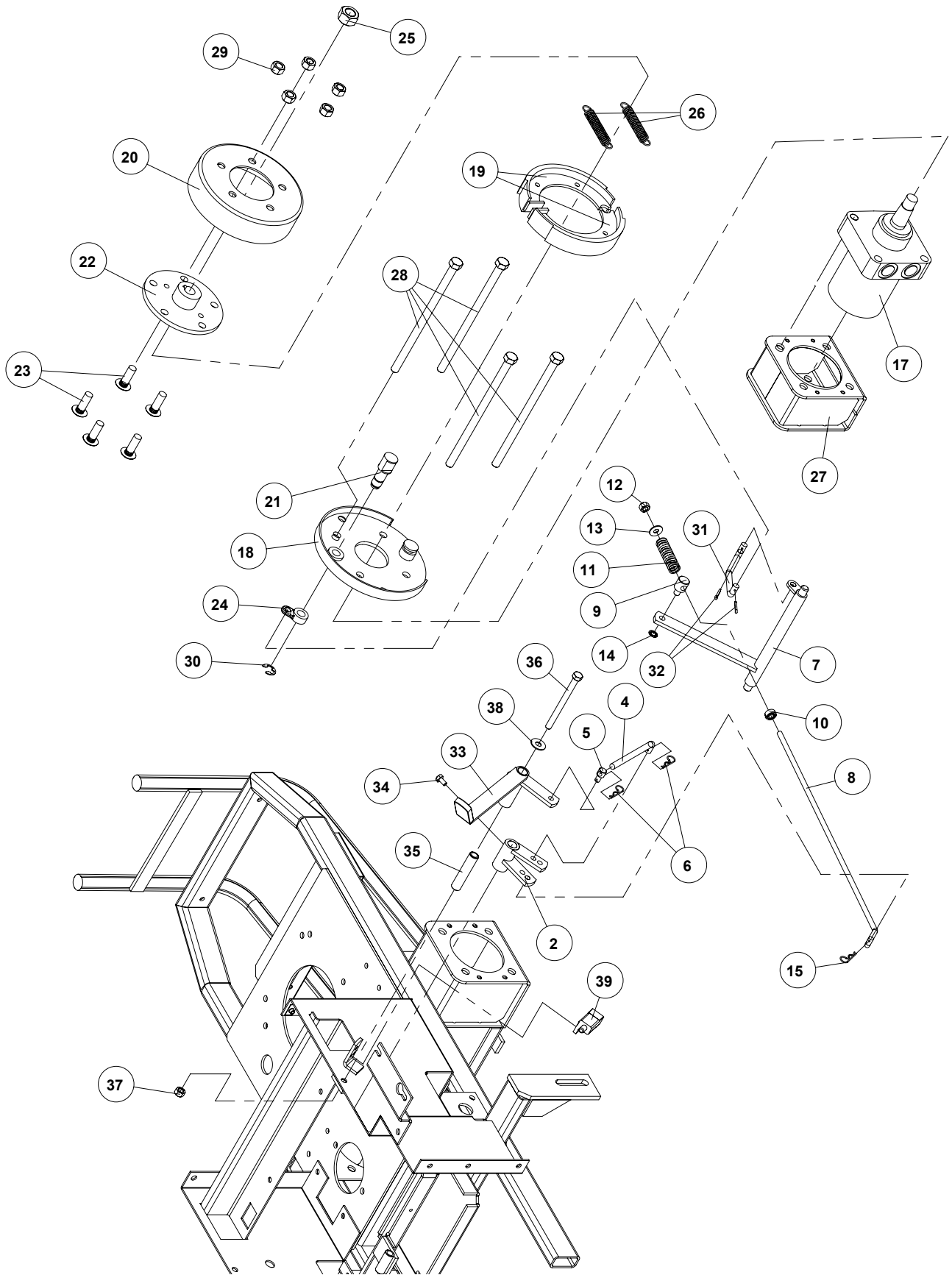


# Z42

## Brake Components - Right Hand

#	PART NO.	QTY.	DESCRIPTION
1	423368	1	BRAKE CROSS SHAFT
2	422146	1	PARK BRAKE CRANK
3	422049	1	BRAKE CRANK WLDMNT - PLATED
4	482042	1	RIGHT BRAKE CONTROL - Z52
5	109015	1	1/4-20 NUT CLIP
6	423128	1	PARK BRAKE LINK
7	423130	1	PARK BRAKE SWIVEL
8	523112	1	5/16 CLAMP COLLAR
9	523024	1	DECK DRIVE SPRING
10	104256	1	5/16 NYLOCK NUT
11	105258	1	5/16 FLAT WASHER
12	363177	1	3/8 PUSH NUT
13	363165	1	HAIRPIN COTTER
14	453153	1	WHEEL MOTOR
15	422112	1	CW BACK PLATE - BRAKE
16	423276	2	BRAKE SHOE
17	423310	1	BRAKE DRUM - 180
18	423296	1	BRAKE CAM
19	423275	1	WHEEL HUB
21	103029	5	1/2-20 UNF PRESS IN STUD
22	423308	1	BRAKE CAM ARM
23	104511	1	3/4-16 HEX NUT
24	423281	2	BRAKE SPRING
25	452026	1	MOTOR SPACER
26	100344	4	1/2-13 X 9-1/2 HHCS
27	103023	5	1/2-20 LUG NUT
28	108500	1	E-RING FOR 5/8 DIA
29	423312	1	BRAKE LINK
30	106753	2	3/32 X 3/4 COTTER PIN
31	100501	1	1/4-28 X 1/2 HHCS

# Z42 Brake Components - Left Hand



# Z42

## Brake Components - Left Hand

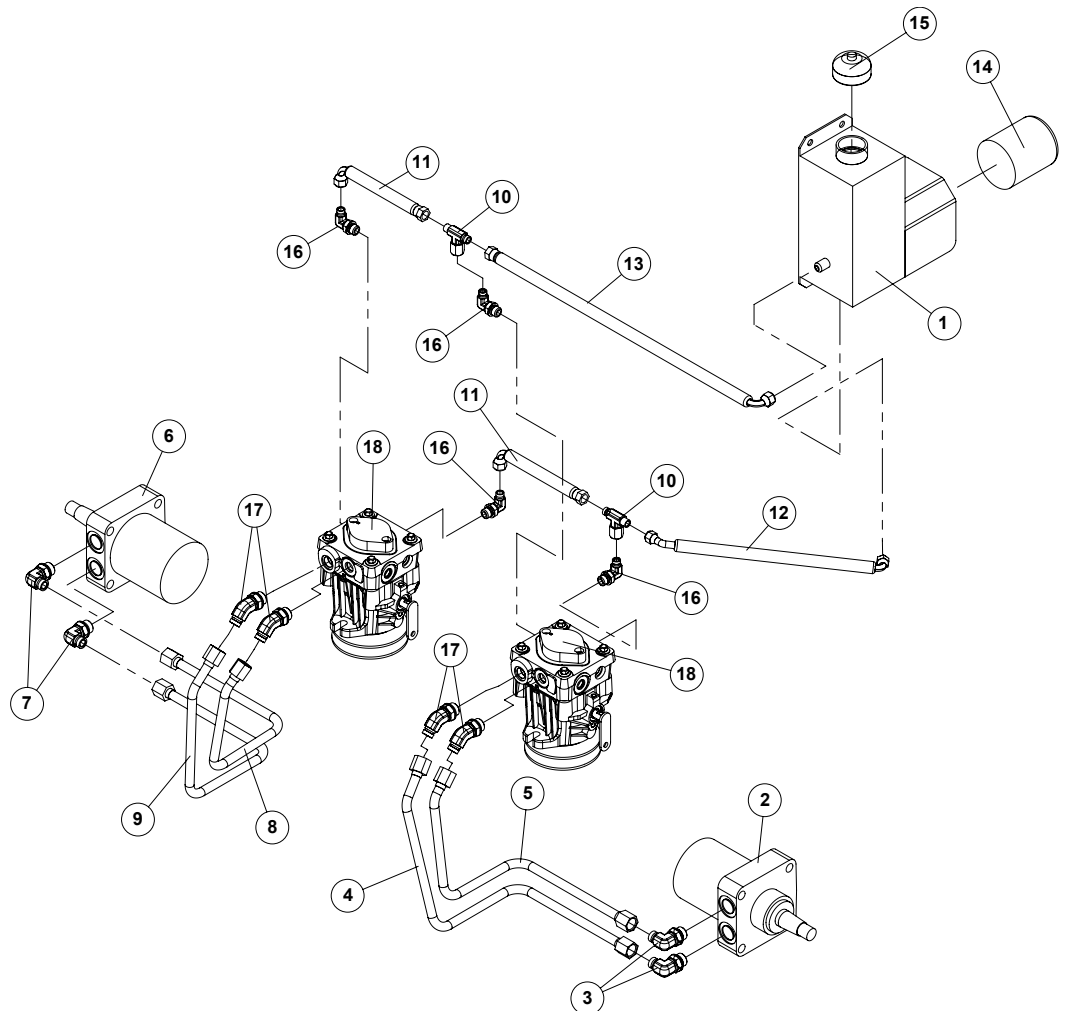
#	PART NO.	QTY.	DESCRIPTION
1	423368	1	BRAKE CROSS SHAFT
2	422146	1	PARK BRAKE CRANK
3	422049	1	BRAKE CRANK WLDMNT - PLATED
4	423350	1	BRAKE LINK
5	363029	1	.312 ROD SWIVEL
6	363165	2	HAIRPIN COTTER
7	482044	1	LEFT BRAKE CONTROL - Z52
8	423128	1	PARK BRAKE LINK
9	423130	1	PARK BRAKE SWIVEL
10	523112	1	5/16 CLAMP COLLAR
11	523024	1	DECK DRIVE SPRING
12	104256	1	5/16 NYLOCK NUT
13	105258	1	5/16 FLAT WASHER
14	363177	1	3/8 PUSH NUT
15	363165	1	HAIRPIN COTTER
16	109015	1	1/4-20 NUT CLIP
17	453153	1	WHEEL MOTOR
18	422110	1	CCW BACK PLATE - BRAKE
19	423276	2	BRAKE SHOE
20	423310	1	BRAKE DRUM - 180
21	423296	1	BRAKE CAM
22	423275	1	WHEEL HUB
23	103029	5	1/2-20 UNF PRESS IN STUD
24	423308	1	BRAKE CAM ARM
25	104511	1	3/4-16 HEX NUT
26	423281	2	BRAKE SPRING
27	452026	1	MOTOR SPACER
28	100344	4	1/2-13 X 9-1/2 HHCS
29	103023	5	1/2-20 LUG NUT
30	108500	1	E-RING FOR 5/8 DIA
31	423312	1	BRAKE LINK
32	106753	2	3/32 X 3/4 COTTER PIN
33	422086	1	Z- PARK LEVER W/GRIP
34	100501	1	1/4-28 X 1/2 HHCS
35	363105	1	IDLER BUSHING
36	100305	1	3/8-16 x 4-1/2
37	109007	1	3/8-16 WHIZLOCK NUT
38	105260	1	3/8 STD. FLAT WASHER
39	523034	1	PARK SWITCH



# Z42

## Hydro Components

#	PART NO.	QTY.	DESCRIPTION
1	423307	1	OIL TANK
2	453153	1	WHEEL MOTOR
3	523058	2	RETURN ADAPTER
4	423326	1	STEEL LINE L. INSIDE
5	423327	1	STEEL LINE L. OUTSIDE
6	453153	1	WHEEL MOTOR
7	523058	2	RETURN ADAPTER
8	423328	1	STEEL LINE R. INSIDE
9	423329	1	STEEL LINE R. OUTSIDE
10	453106	2	SWIVEL TEE
11	453127	2	PUMP TO PUMP FEED LINE
12	423373	1	PUMP FEED LINE - Z
13	593073	1	HOSE RETURN
14	423361	1	OIL FILTER
15	583406	1	OIL TANK CAP
16	453074	4	90° ADAPTER
17	423031	4	45° PRESSURE ADAPTER
18	423330	2	PUMP V



H-1

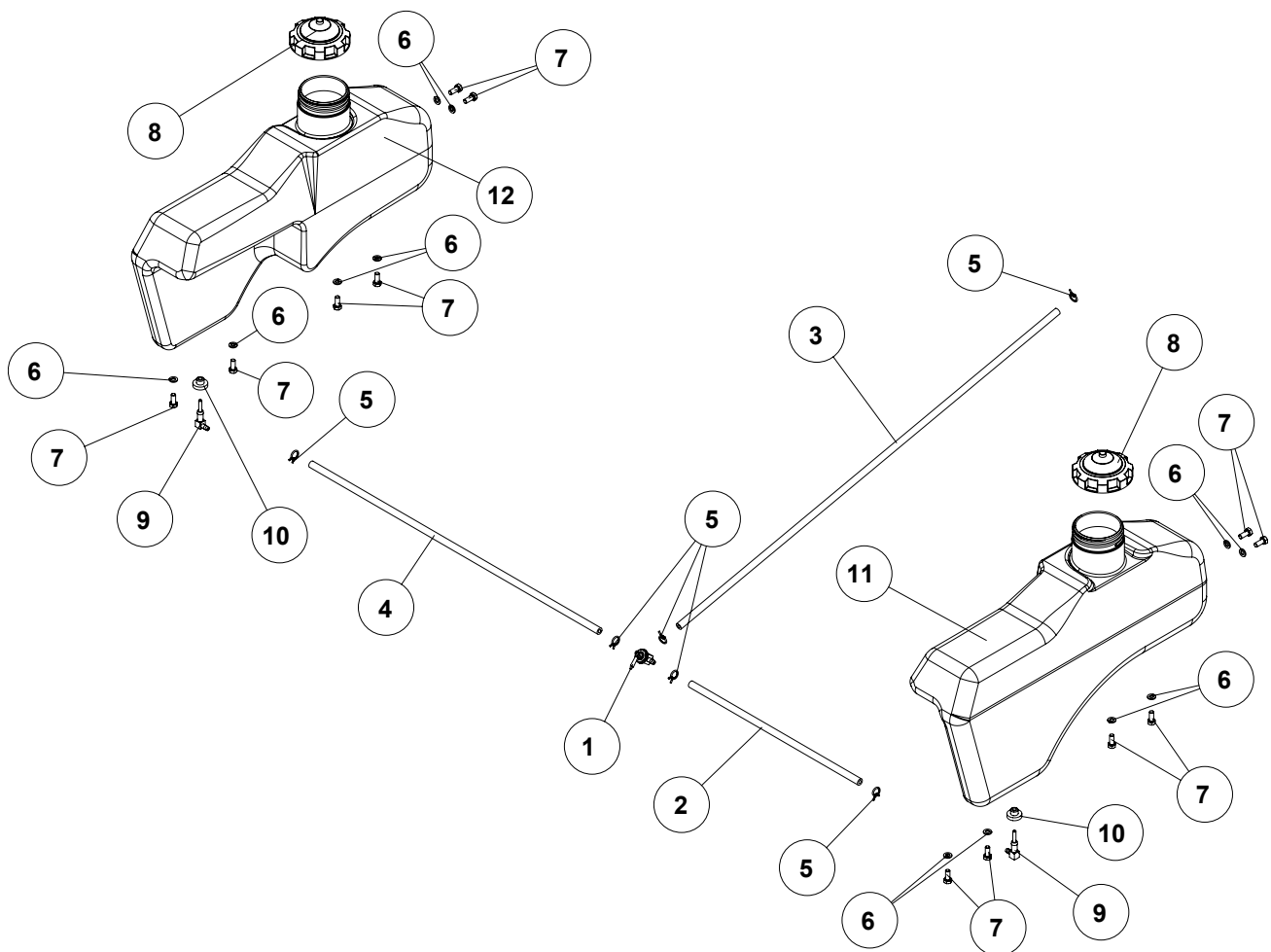
# Z42

## Fuel Components

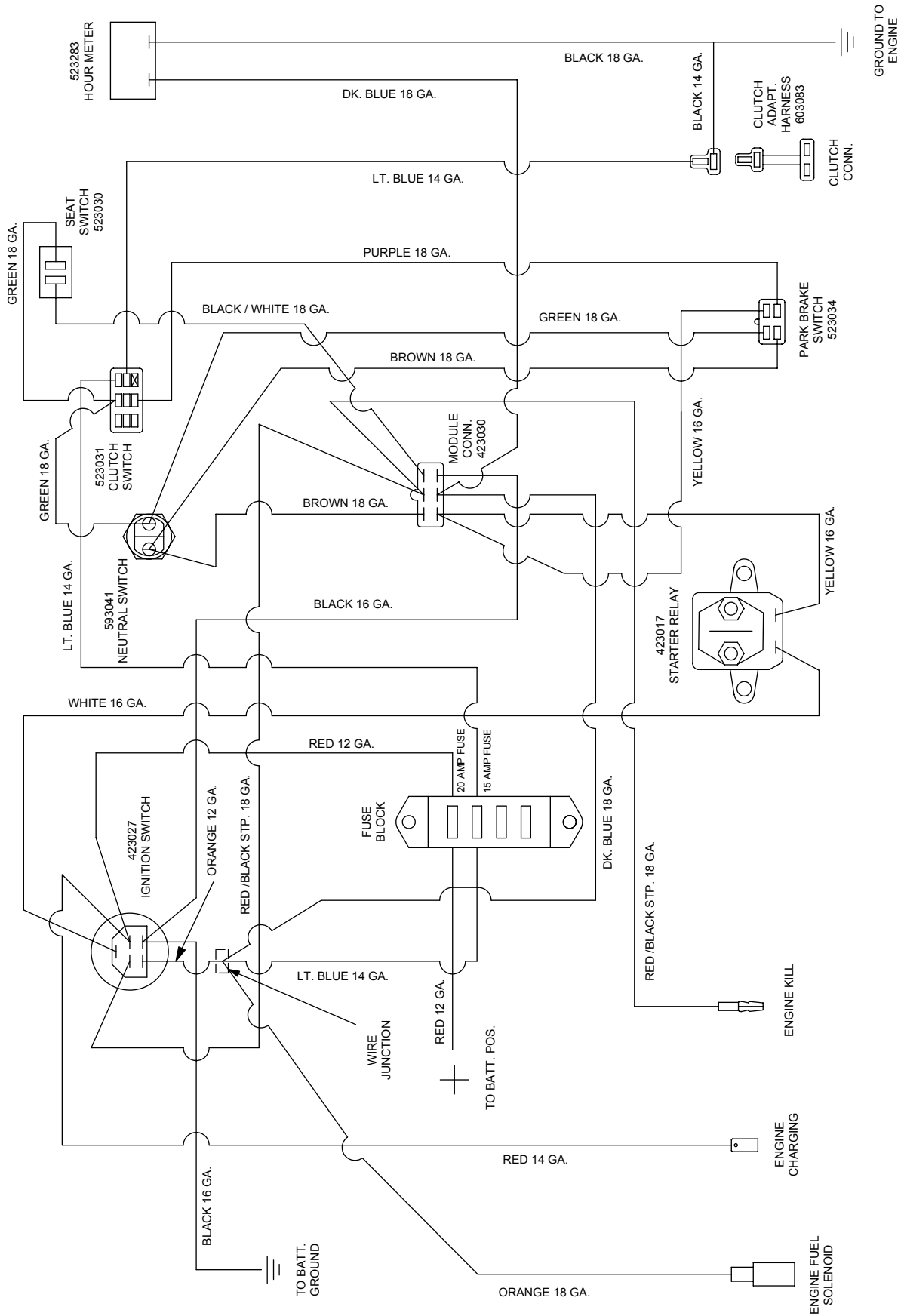
#	PART NO.	QTY.	DESCRIPTION
1	583050	1	FUEL VALVE
2	363099	1	FUEL LINE - 17"
3	583185	1	FUEL LINE - 39"
4	583186	1	FUEL LINE - 29"
5	363098	6	FUEL LINE CLAMP
6	105005	12	5/16 LOCK WASHER
7	100271	12	5/16-18 X 3/4 HHCS
8	823179	2	FUEL CAP - LARGE
9	583183	2	FUEL TANK ADAPTER
10	393042	2	VALVE GROMMET
11	343021	1	FUEL TANK / FENDER LH
12	423297	1	RH FUEL TANK

**NOTE:**

A: THERE ARE NO REPLACEMENT DECALS FOR TANKS. DUE TO THEIR MOLDED INTO THE TANK.



ENCORE PART# 423351  
 WIRE HARNESS FOR 42K17Z ; 17 HP KAWASAKI  
 WIRE HARNESS FOR 48K19Z ; 19 HP KAWASAKI  
 WIRE HARNESS FOR 52K21Z ; 21 HP KAWASAKI  
 WIRE HARNESS FOR 60K25Z ; 25 HP KAWASAKI



# Z42 Decals



1



2



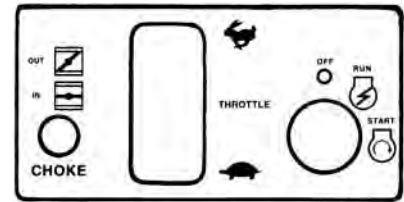
3



4



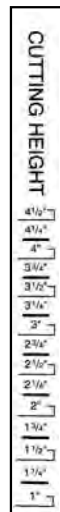
5



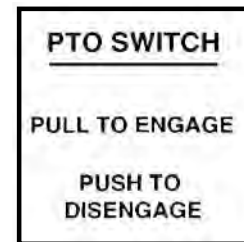
6



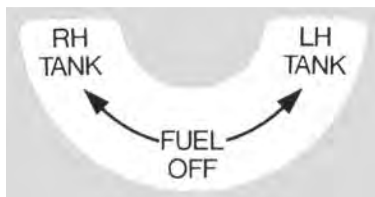
7



8



9



10



11



12

# Z42

## Decals

#	PART NO.	QTY.	DESCRIPTION
1	363001	1	CAUTION DECAL
2	363023	2	DANGER DECAL
3	N / A	1	SERIAL NO. PLATE
4	423155	1	RIDER CAUTION DECAL
5	423156	1	PARK LEVER DECAL
6	423197	1	CONTROL DECAL
7	423354	1	OIL DECAL - SYN.
8	423379	1	CUT GAGE DECAL
9	523021	1	PTO DECAL
10	583023	1	LABEL - FUEL VALVE
11	823320	1	BATTERY WARNING DECAL
12	423325	1	FRONT Z42 LABEL
13	423196	1	BELT ROUTING DECAL

# Notes:

# Notes:

