



PARTS MANUAL

**ED34FS600V
ED34FS600VCA**

FOR SERIAL NUMBERS 61567 AND ABOVE

CONTENTS

GENERAL INFORMATION	5
SERVICE LOCATOR CHART	6
DECK ASSEMBLY	7
DECK LIFT ASSEMBLY	10
FRAME ASSEMBLY	13
DRIVE ASSEMBLY	19
CONTROL ASSEMBLY – RIGHT HAND	21
CONTROL ASSEMBLY – LEFT HAND	23
BRAKE ASSEMBLY – RIGHT HAND	25
BRAKE ASSEMBLY – LEFT HAND	27
HYDRO ASSEMBLY	29
HYDRO TANK ASSEMBLY	31
FUEL ASSEMBLY.....	32
ELECTRICAL SYSTEM	34
DART DECAL ASSEMBLY.....	35

GENERAL INFORMATION

Engine		Pulleys		
	Kawasaki Electric FS600V-S00		603070	RH Spindle Pulley
			423262	LH Spindle Pulley
Blades			533114	Tensioner Pulley-Blade Drive Belt
	423029	14" Blade		
	423014	14" Low Lift Blade	823351	Pump Tensioner Pulley
	423173	14" Mulch Blade	353101	Pump Drive Pulley
	423210	14" Super Hi-Lift Blade		
	603035	20" Blade	Front Caster Bearings	
	603055	20" Blade	423200	Bearing
	603056	20" Super Hi-Lift Blade	423201	Bearing Retainer
Belts			Seat	
	353111	Blade Drive Belt	353244	Seat
	353112	Pump Drive Belt	353245	Molded Arm Rest
Tires				
	353231	Wheel/Tire Asm		
	353239	Drive Tire 18-7.50x10		
	353240	Rim W/Valvestem		
	363311	Front Caster Complete		
	363260	Front Tire & Tube 4.10-3.50-4		
Spindles				
	583106	Spindle Asm Complete		
	583111	Housing		
	363350	Bearing		
	583112	Shaft		
	583113	Bearing Spacer Tube		
Transmission				
	353228	RH 3100 Transaxle (Hydro-Gear Model #ZJ-GMEE-3LLB-1MLX)		
	353229	LH 3100 Transaxle (Hydro-Gear Model #ZJ-KMEE-3LLC-1MLX)		
	423361	Filter – 20W50 Motor Oil – Total System Capacity Approx 1.75 QT (1.66L)		
Throttle	593043			
Choke	593044			
Muffler	353193			
Wire Harness	353132			
Pigtail Harness	353180			
Clutch	423285			
Electrical Components				
	423027	Ignition Switch		
	422150	Starter Relay		
	583423	Time Delay Module		
	583351	Relay		
	523034	Park Brake Switch		
	593041	Neutral Switch		
	523031	PTO Switch		
	5000016A	Seat Switch		
	523283	Hour Meter		

SERVICE LOCATOR CHART

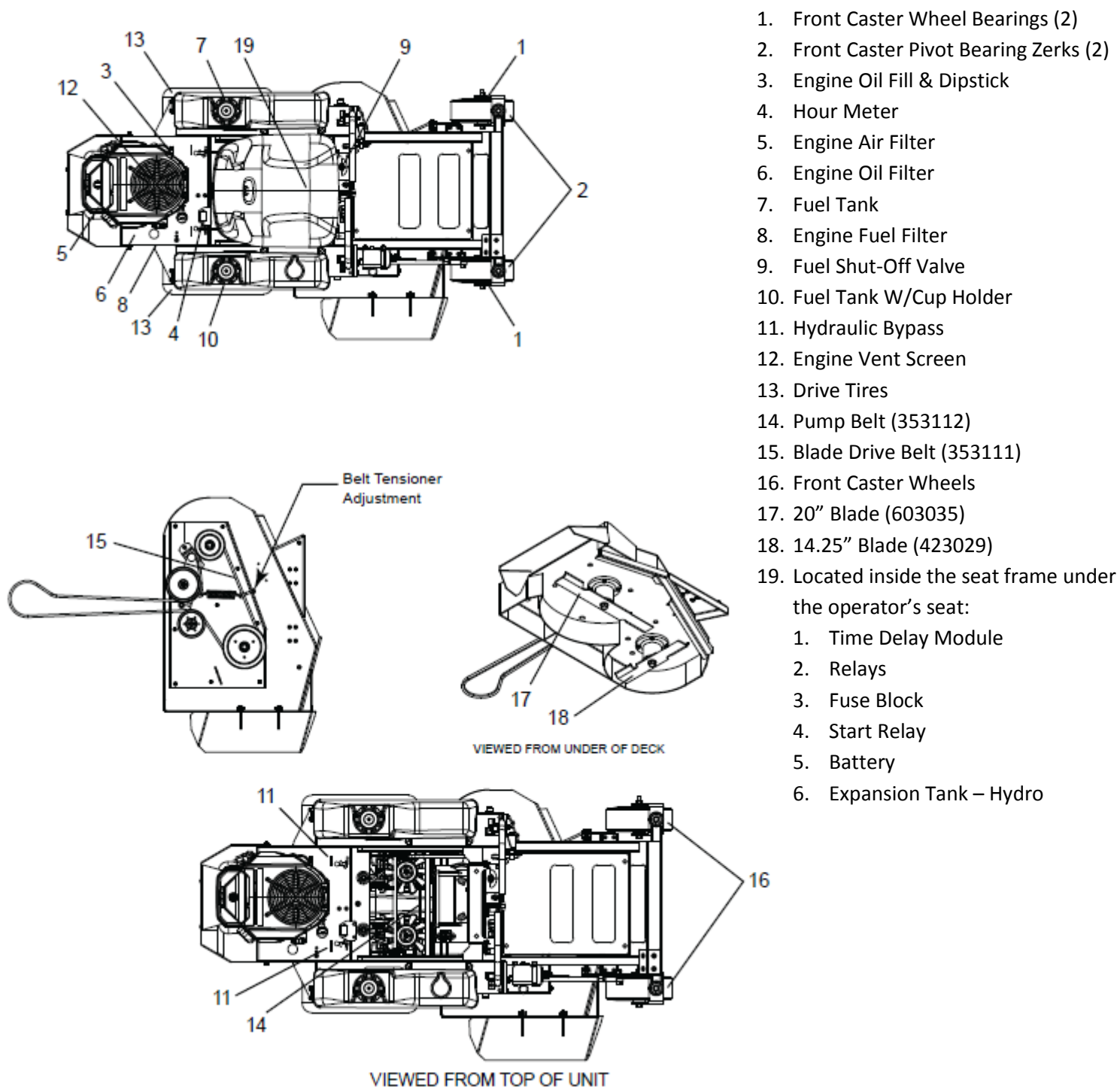
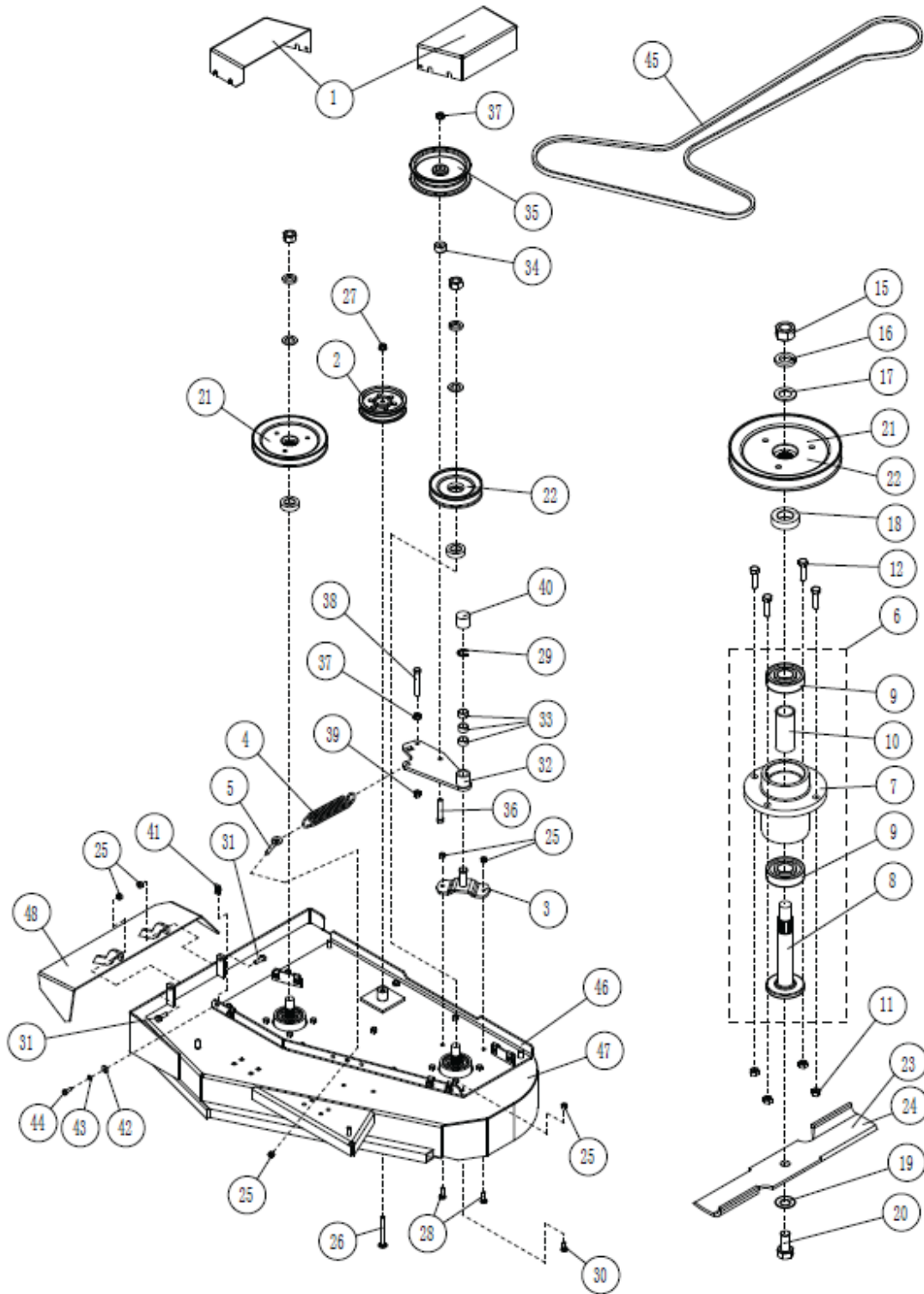


Figure 2

DECK ASSEMBLY

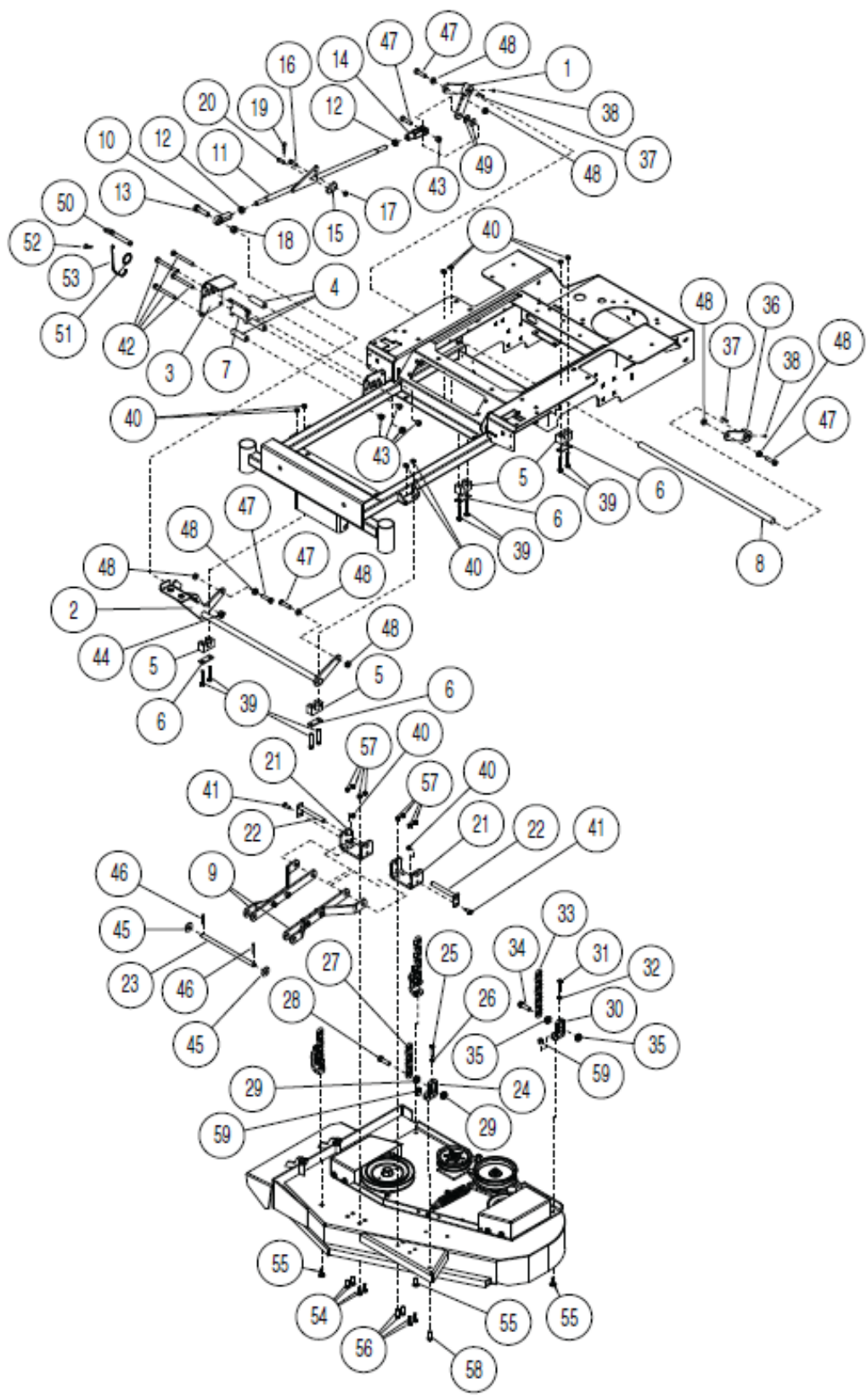


DECK ASSEMBLY

ITEM	PART NO.	DESCRIPTION
1	353105	34" BELT SHIELD
2	523329	FLOATING IDLER – FLAT
3	522104	OFFSET PIVOT
4	523327	FLOATING IDLER SPRING
5	363080	RIGHT EYEBOLT
6	583106	BLADE SPINDLE ASM
7	583111	SPINDLE HOUSING
8	583112	SPINDLE SHAFT
9	363350	BEARING – BLADE SPINDLE
10	583113	BEARING SPACER TUBE
11	104256	5/16-18 NYLOC NUT
12	100274	5/16-18 X 1-1/4 HHCS
13	-----	-----
14	-----	-----
15	104511	3/4-16 HEX NUT
16	105010	3/4 LOCK WASHER
17	823015	DECK ARM WASHER
18	583110	PULLEY SPACER
19	583108	5/8 DISC SPRING WASHER
20	100355	5/8-11 X 1-1/4 HHCS
21	603070	7" HEX PULLEY
22	423262	5" HEX PULLEY
23	603035	20" BLADE
24	423029	14.25 HIGH LIFT BLADE
25	104256	5/16-18 NYLOC NUT
26	107506	3/8-16 X 3-1/4 CARRIAGE BOLT
27	109007	3/8 -16 WHIZLOCK NUT
28	107509	5/16-18 X 1 CARRIAGE BOLT
29	108509	3/4 E-RING
30	107503	5/16 – 18 X 3/4 CARRIAGE BOLT
31	100273	5/16 – 18 X 1 HHCS
32	352048	IDLER ARM W/BUSHINGS
33	363089	BRONZE BUSHINGS
34	823309	FRAME SPACER
35	533114	ENGAGEMENT IDLER
36	100297	3/8-16 X 2-1/4 HHCS
37	109007	3/8 – 16 WHIZLOCK NUT
38	100299	3/8 – 16 X 2-3/4 HHCS
39	104257	3/8 – 16 NYLOC NUT
40	103009	CAPLUG 1-1/4
41	109015	1/4 – 20 NUT CLIP
42	105256	1/4 STD FLAT WASHER
43	105004	1/4 STD LOCKWASHER
44	100252	1/4 - 20 X 3/4 HHCS

45	353111	34 DECK BELT
46	352030	34 DECK PLATE
47	352016	Z34 DECK WELDMENT
48	532073	ASM, GRASS DEFLECTOR
	533132	CHUTE
	533134	TOP BRACKET
	533136	BOTTOM BRACKET

DECK LIFT ASSEMBLY



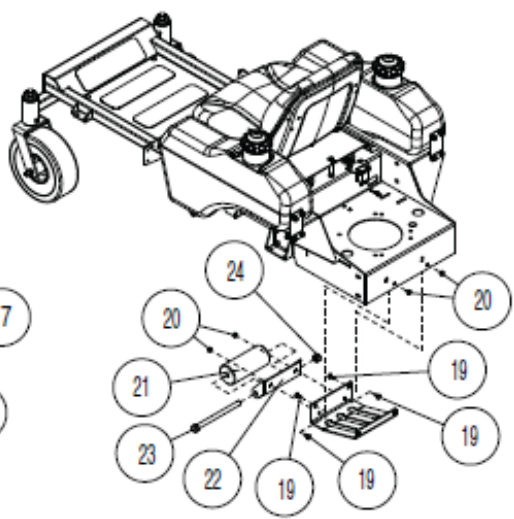
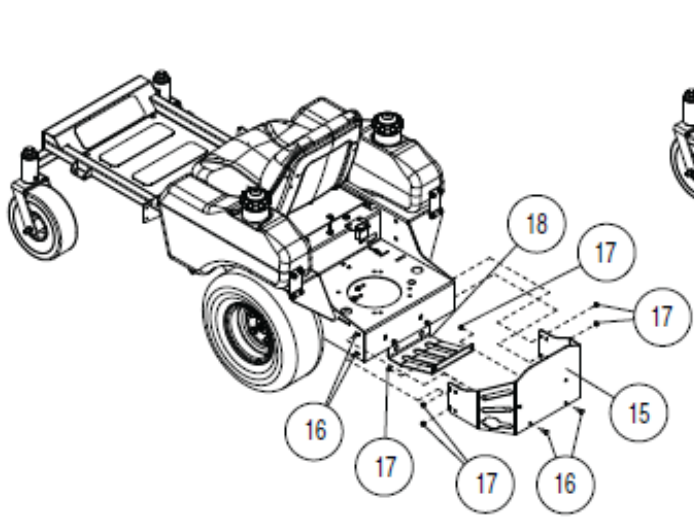
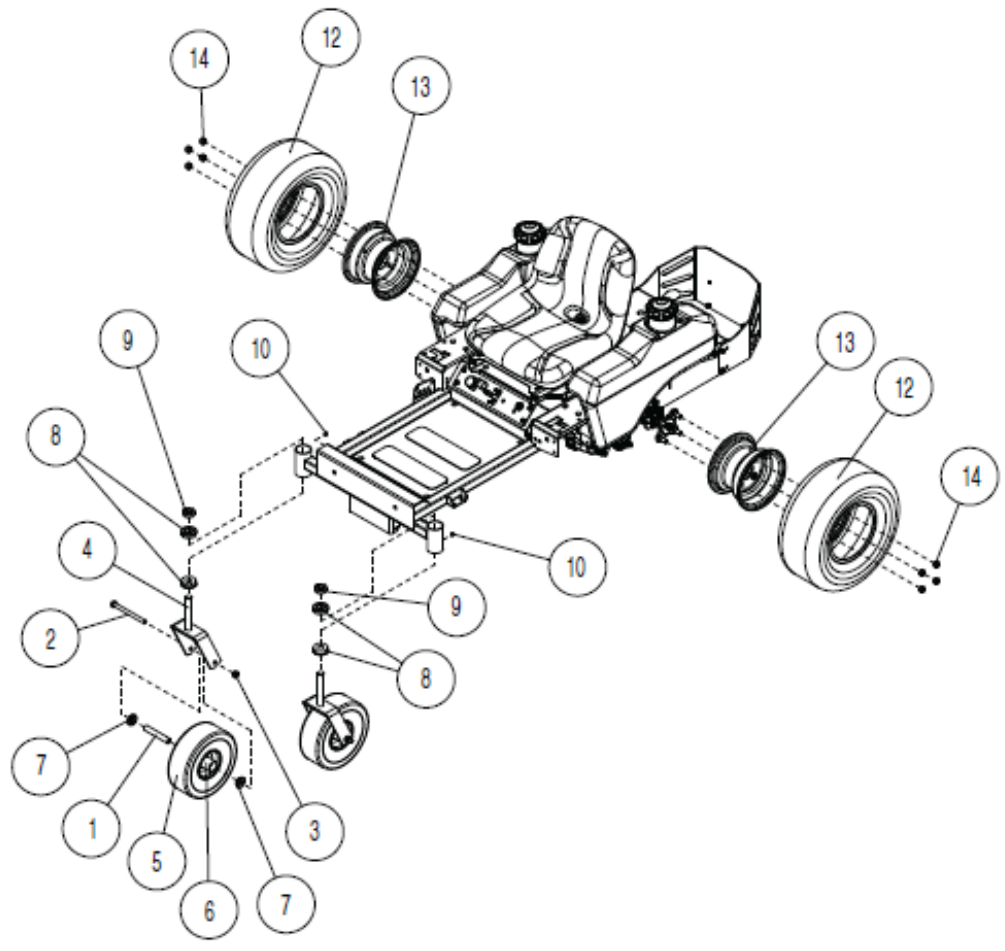
DECK LIFT ASSEMBLY

ITEM	PART NO.	DESCRIPTION
1	352010	REAR LIFT BELLCRANK, RT
2	352014	FRONT LIFT SHAFT
3	353043	HEIGHT PLATE, OUTER
4	353040	HEIGHT PLATE SPACER
5	353028	PIVOT BLOCK
6	353047	PIVOT BLOCK PLATE
7	352018	TRANSPORT LATCH
8	533010	LIFT SHAFT – FRONT
9	-----	STRUT ASM. (ORDER ITEM 60 & 61)
10	533084	ROD END 1/2"
11	352028	CONNECTING ROD
12	104755	1/2-20 HEX JAM NUT
13	100329	1/2-13 X 2 HHCS
14	533083	CLEVIS END 1/2"
15	353038	HEIGHT ADJUST TAB
16	100273	5/16-18 X 1 HHCS
17	104256	5/16-18 NYLOC NUT
18	104509	1/2-13 HEX NUT
19	363165	#3 HAIRPIN COTTER
20	363144	CLEVIS PIN 5/16
21	353045	STRUT MOUNT
22	352032	REAR STRUT PIVOT PIN
23	353110	FRONT STRUT PIN
24	533112	ADJUSTABLE CHAIN MT
25	100006	1/4-20 X 1.5 HH TAP BOLT
26	104758	1/4-20 HEX JAM NUT
27	423359	FRONT CHAIN
28	100311	7/16-14 X 1-1/2 HHCS
29	109027	7/16-14 WHIZLOCK NUT
30	533112	ADJUSTABLE CHAIN MT
31	100006	1/4-20 X 1.5 HH TAP BOLT
32	104758	1/4-20 HEX JAM NUT
33	423360	REAR CHAIN
34	100311	7/16-14 X 1-1/2 HHCS
35	109027	7/16-14 WHIZLOCK NUT
36	352012	REAR LIFT BELLCRANK, LT
37	107255	3/16 X 3/16 X 1 MACHINE KEY
38	103292	1/4-28 SETSCREW
39	100277	5/16-18 X 2 HHCS
40	104256	5/16-18 NYLOC NUT
41	100271	5/16-18 X 3/4 HHCS
42	100302	3/8-16 X 3-1/2 HHCS
43	104257	3/8-16 NYLOC NUT
44	104259	1/2-13 NYLOC NUT

DECK LIFT ASSEMBLY

ITEM	PART NO.	DESCRIPTION
45	105264	1/2 STD FLATWASHER
46	106763	1/2 X 1-1/4 COTTER PIN
47	100294	3/8-16 X 1-1/2 HHCS
48	109007	3/8-16 WHIZ LOCK NUT
49	105260	3/8 STD FLAT WASHER
50	353153	1/2 X 3 RING PIN
51	109002	1-1/2 O.D. SPLIT RING
52	153025	#4 HAIRPIN COTTER – PLTD
53	123012	SAFETY CHAIN
54	107509	5/16-18 X 1 CARR. BOLT
55	107528	3/8-16 X 1-1/4 CARR BOLT
56	100273	5/16-18 X 1 HHCS
57	104256	5/16-18 NYLOC NUT
58	100292	3/8-16 X 1 HHCS
59	104257	3/8-16 NYLOC NUT
60	353050	STRUT, BENT
61	353052	STRUT, STRAIGHT

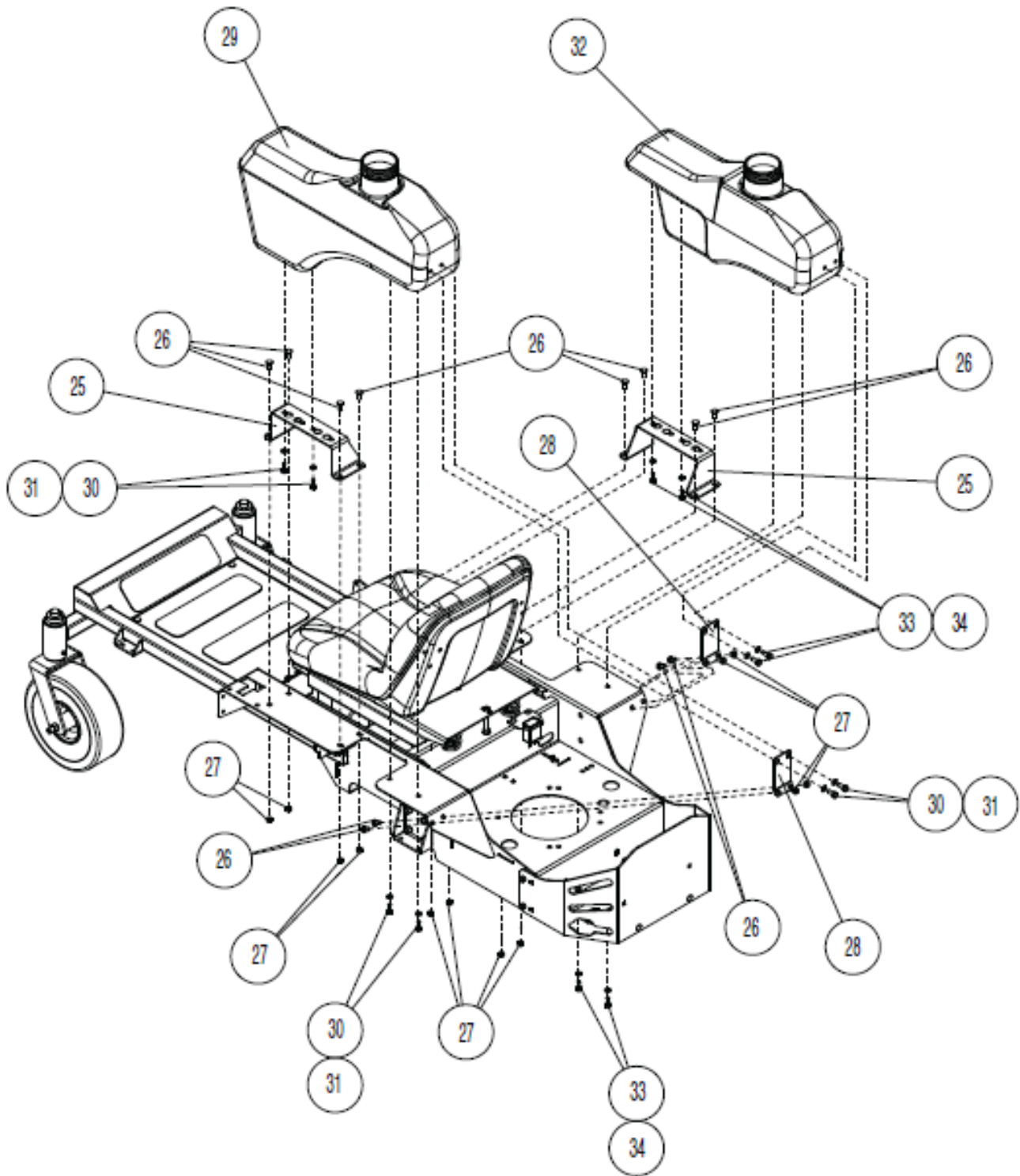
FRAME ASSEMBLY



FRAME ASSEMBLY

ITEM	PART NO.	DESCRIPTION
1	363307	AXLE TUBE
2	100339	1/2-13 X 6 HHCS
3	104259	1/2-13 NYLOC NUT
4	422016	FRONT CASTER YOKE WELDMENT
5	363260	FRONT TIRE W/TUBE (4.10 X 3.5 X 4)
6	363311	FRONT CASTER COMPLETE
	-----	FRONT RIM – NOT SERVICED
7	423201	BEARING RETAINER
8	423109	7/8 FLANGE BEARING
9	423071	7/8 CLAMP COLLAR
10	111001	1/8 NPT STRAIGHT
11	353231	18 X 7.50 – 10 TIRE ASM –NOT SHOWN
12	353239	DRIVE TIRE 18 X 7.5 X 10
13	353240	RIM W/VALVESTEM 10 X 5.375
14	103023	1/2-20 LUG NUT
15	353075	ENGINE GUARD
16	107503	5/16-18 X 3/4 CARR HEAD
17	104256	5/16-18 NYLOC NUT
18	353100	SKID PLATE
19	107503	5/16-18 X 3/4 CARR HEAD
20	104256	5/16-18 NYLOC NUT
21	603023	FRONT ANTI-SCALP ROLLER
22	353145	WHEELIE BAR
23	100351	5/8-11 X 8-1/2 HHCS
24	104261	5/8-11 HEX NUT

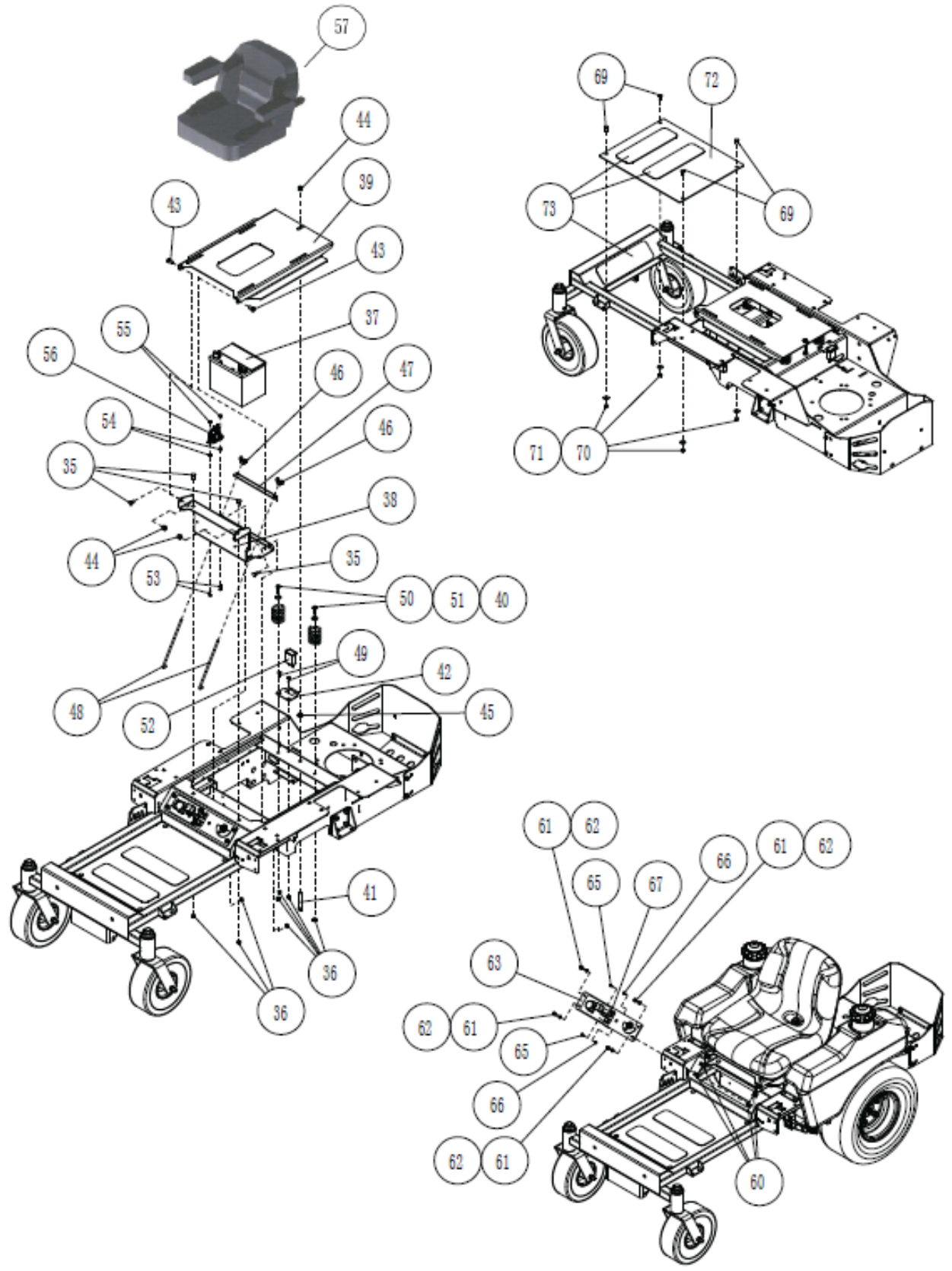
FRAME ASSEMBLY



FRAME ASSEMBLY

ITEM	PART NO	DESCRIPTION
25	353067	TANK SUPPORT
26	107503	5/16-18 X 3/4 CARR HEAD
27	104256	5/16-18 NYLOC NUT
28	353085	REAR TANK MOUNT
29	SEE FUEL SECTION	LH FUEL TANK
30	100271	5/16-18 X 3/4 HHCS
31	105005	5/16 LOCK WASHER
32	SEE FUEL SECTION	RH FUEL TANK
33	100271	5/16-18 X 3/4 HHCS
34	105005	5/16 LOCK WASHER

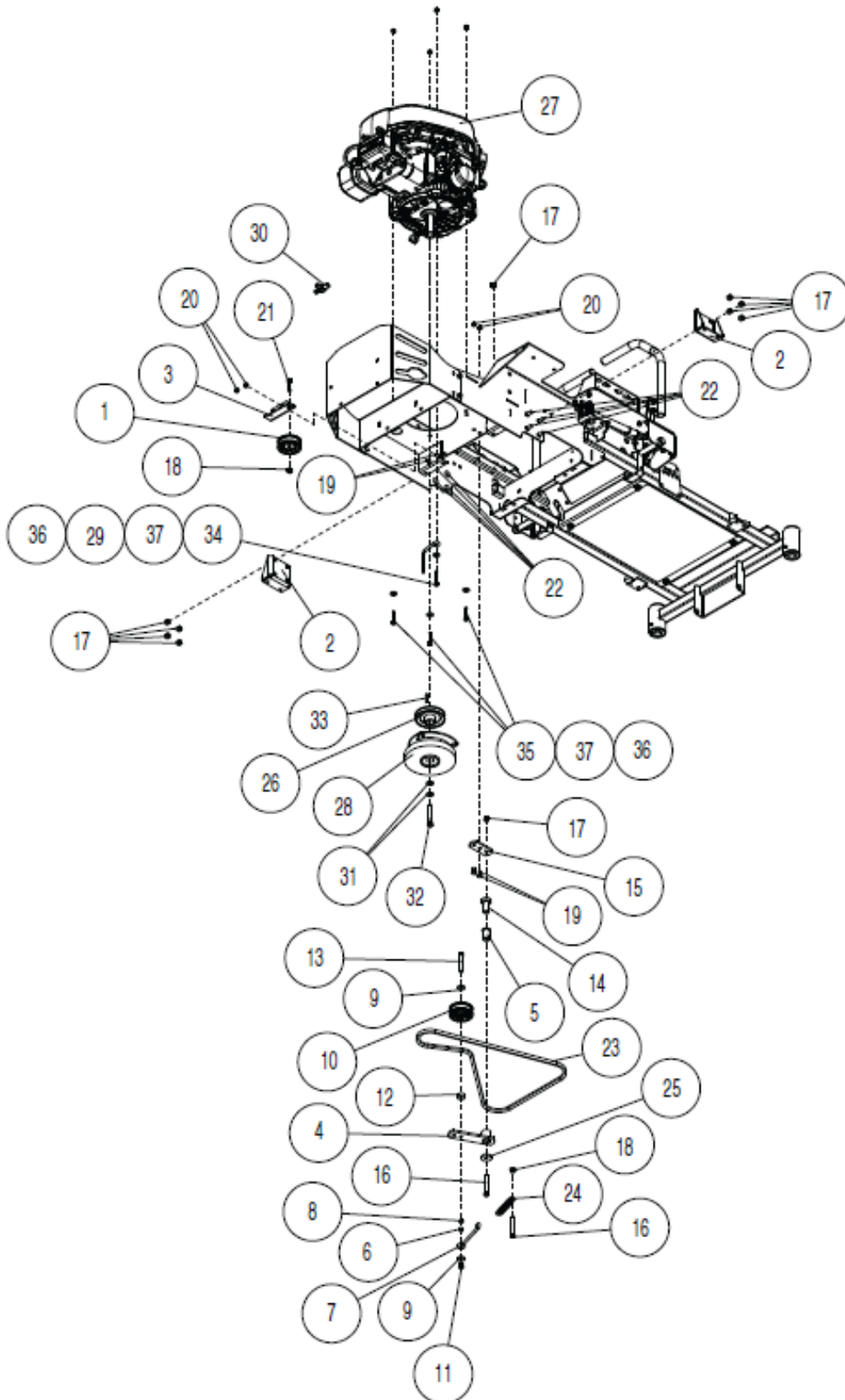
FRAME ASSEMBLY



FRAME ASSEMBLY

ITEM	PART NO.	DESCRIPTION
35	107503	5/16-18 X 3/4 CARR HEAD
36	104256	5/16-18 NYLOC NUT
37	-----	BATTERY – REFERENCE ONLY
38	353011	BATTERY TRAY
39	353015	SEAT PAN
40	523278	SEAT SPRING
41	100030	3/8-16 X 3 HHTB
42	353083	HOUR METER MOUNT
43	100291	3/8-16 X 3/4 HHCS
44	104257	3/8-16 NYLOC NUT
45	109007	3/8-16 WHIZLOCK NUT
46	109012	1/4 WING NUT
47	423011	HOLD DOWN ANGLE
48	423172	BATTERY HOLD DOWN
49	107502	1/4-20 X 3/4 CARR BOLT
50	100273	5/16-18 X 1 HHCS
51	105258	5/16 STD FLAT WASHER
52	523283	HOUR METER
53	109009	#10-24 X .75 HHS
54	109006	#10 WHIZLOCK NUT
55	104252	#10-24 NYLOC NUT
56	422150	STARTER RELAY – WP
57	353244	SEAT COMPLETE W/O TRACKS
-----	353245	PAD, SK ARM REST
-----	353246	RH ARM REST BRKT
-----	353247	LH ARM REST BRKT
-----	353048	SEAT SWITCH MOUNT – NOT SHOWN
-----	5000016A	SEAT SWITCH – NOT SHOWN
60	109015	1/4-20 NUT CLIP
61	100252	1/4-20 X 3/4 HHCS
62	105004	1/4 STD LOCKWASHER
63	353177	CONSOLE PLATE W/CHOKE
64	523031	PTO SWITCH – NOT SHOWN
65	101039	#10-24 X 5/8 PAN HD SCREW
66	104252	#10-24 NYLOC NUT
67	593043	THROTTLE CONTROL
68	423027	IGNITION SWITCH – NOT SHOWN
69	107503	5/16-18 X 3/4 CARR HEAD
70	104256	5/16-18 NYLOC NUT
71	105258	5/16 STD FLAT WASHER
72	353079	FLOOR PAN
73	423302	Z-STEP TREAD

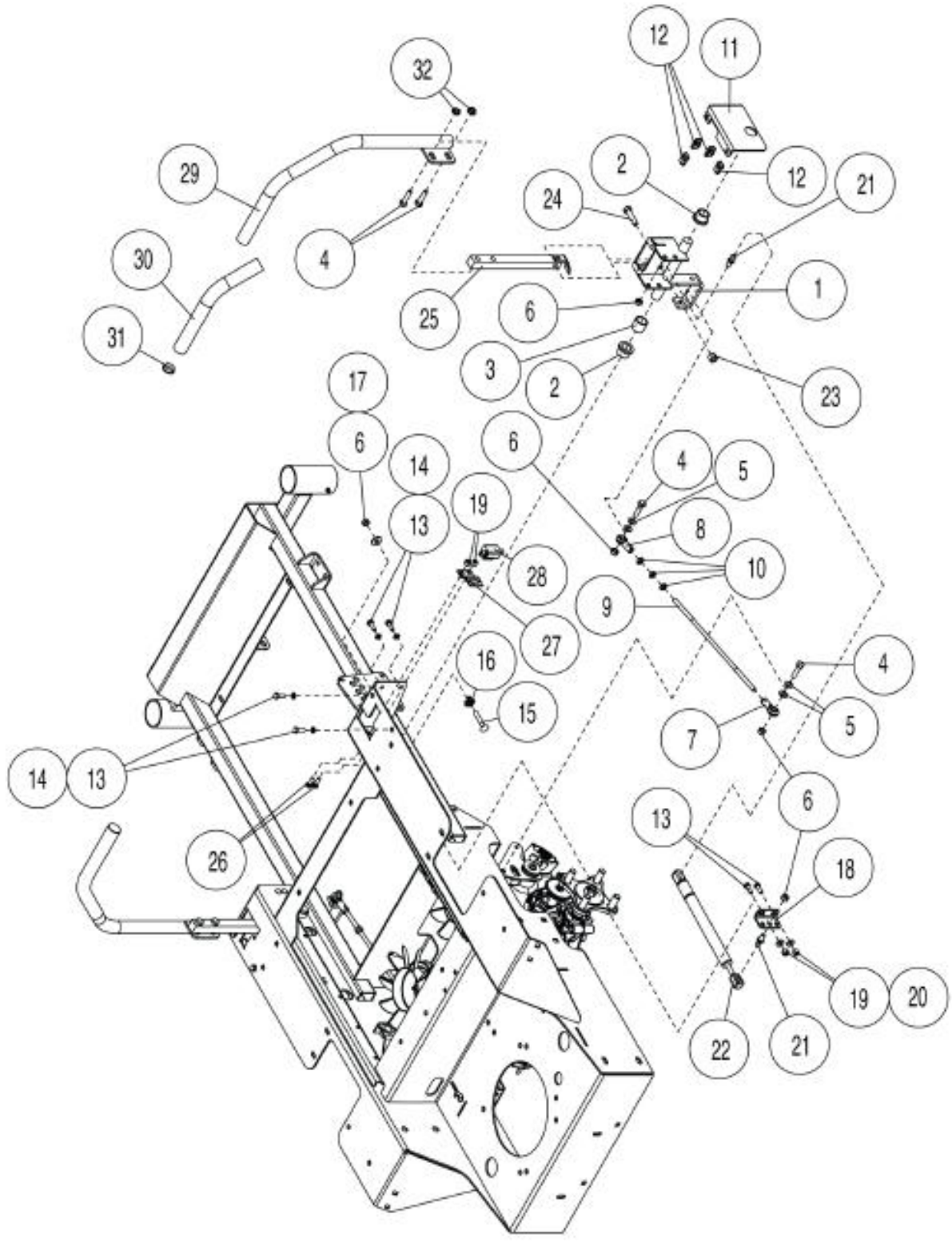
DRIVE ASSEMBLY



DRIVE ASSEMBLY

ITEM	PART NO.	DESCRIPTION
1	353207	PUMP DRIVE IDLER
2	352026	AXLE SUPPORT
3	353087	IDLER MOUNT
4	422025	TENSIONER W/BUSHING
5	523111	3/4 PLASTIC BUSHING
6	363174	EYE BOLT SPACER
7	423122	PUMP TENSION ROD
8	105005	3/8 LOCK WASHER
9	105260	3/8 STD FLAT WASHER
10	823351	PUMP DRIVE IDLER
11	104257	3/8-16 NYLOC NUT
12	483017	RH IDLER SPACER
13	100299	3/8-16 X 2-3/4 HHCS
14	423175	IDLER PIVOT
15	353089	PUMP IDLER MOUNT
16	100300	3/8-16 ZX 3 HHCS
17	104257	3/8-16 NYLOC NUT
18	109007	3/8-16 WHIZ LOCK NUT
19	107503	5/16-18 X 3/4 CARR BOLT
20	104256	5/16-18 NYLOC NUT
21	100294	3/8-16 X 1-1/2 HHCS
22	107526	3/8-16 X 1 CARR BOLT
23	353112	PUMP BELT
24	553007	IDLER SPRING
25	373089	RETAINING WASHER
26	353101	PULLEY
27	-----	KAWASAKI FS600V – FOR REFERENCE ONLY
28	423285	CLUTCH
29	373070	BELT GUIDE – LONG
30	343146	OIL DRAIN VALVE 3/8 NPT
31	423069	7/16 DISC SPRING WASHER
32	100536	5/8-11 X 7 HHCS
33	107260	1/4 X 1/4 X 1.25
34	100277	5/16-18 X 2 HHCS
35	100276	5/1618 X 1-3/4 HHCS
36	104256	5/16-18 NYLOC NUT
37	363226	5/16 DISC SPRING WASHER

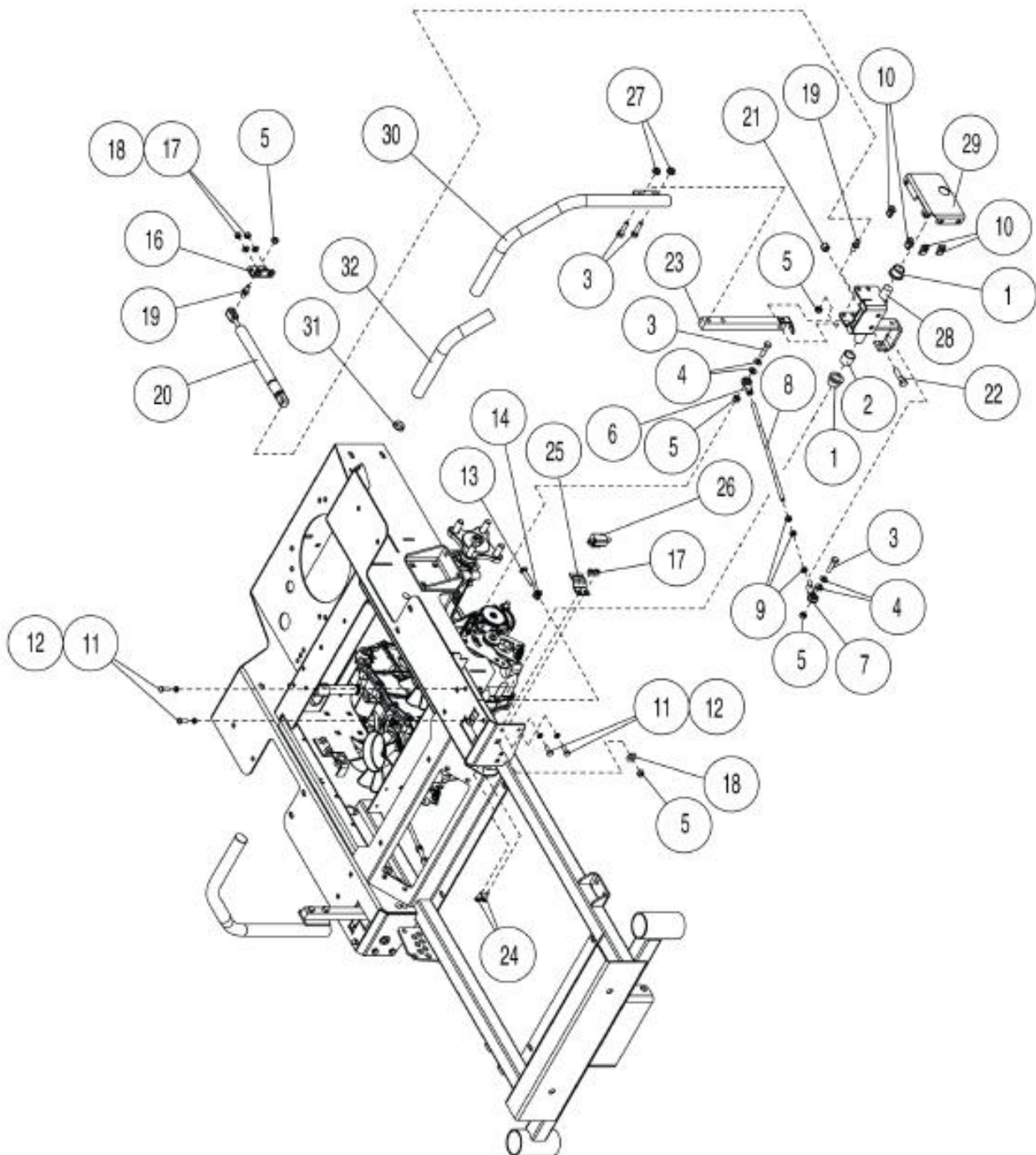
CONTROL ASSEMBLY – RIGHT HAND



CONTROL ASSEMBLY – RIGHT HAND

ITEM	PART NO.	DESCRIPTION
1	352004	STEERING CONTROL RT
2	353018	3/4" FLANGE BEARING
3	353024	DRIVE CONTROL SPACER
4	100274	5/16-18 X 1-1/4 HHCS
5	105257	5/16 SAE FLATWASHER
6	104256	5/16-18 NYLOC NUT
7	623095	5/16 LH ROD END (F)
8	453081	.312 ROD END (F)
9	353093	DRIVE LINKAGE
10	104752	5/16-24 JAM NUT
11	353061	RT CONTROL BRACKET
12	109015	1/4-20 NUT CLIP
13	100252	1/4-20 X 3/4 HHCS
14	105004	1/4 STD LOCKWASHER
15	107520	5/16-18 X 1-3/4 TAP CARR BOLT
16	353151	5/16-18 SQ CAGE NUT
17	105258	5/16 STD FLAT WASHER
18	353143	DAMPER MOUNT
19	104255	1/4-20 NYLOC NUT
20	105255	1/4 SAE WASHER
21	823221	10MM BALL STUD
22	583415	DAMPENER/CONTROL
23	104257	3/8-16 HEX NYLOC NUT
24	100294	3/8-16 X 1-1/2 HHCS
25	852052	HANDLE MOUNT
26	107502	1/4-20 X 3/4 CARR BOLT
27	353021	SWITCH BRACKET
28	593041	NEUTRAL SWITCH
29	592041	HANDLE RH W/GRIP
30	523032	HANDLE GRIP
31	523033	HANDLE PLUG
32	109001	5/16-18 WHIZLOCK NUT

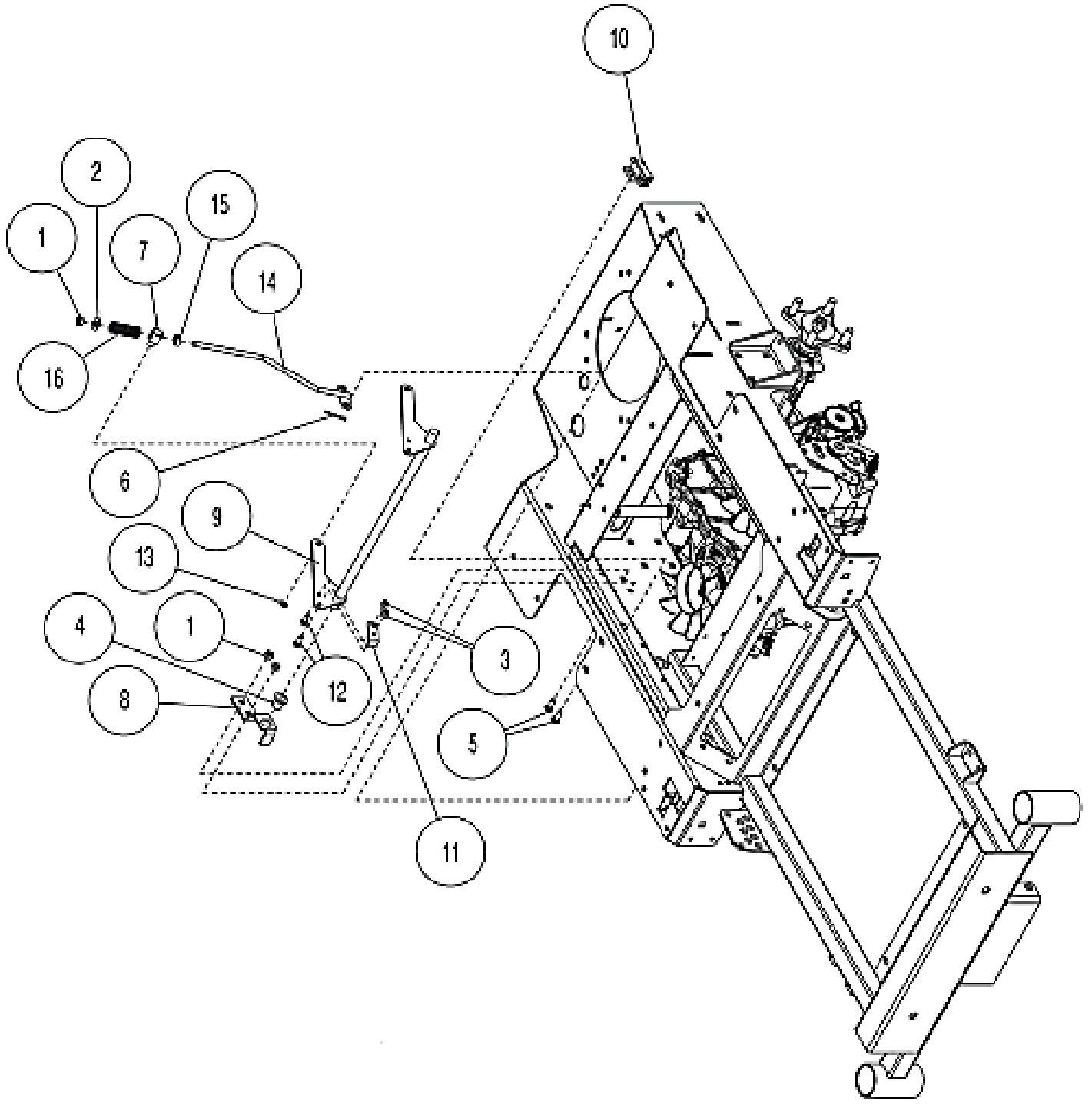
CONTROL ASSEMBLY – LEFT HAND



CONTROL ASSEMBLY – LEFT HAND

ITEM	PART NO.	DESCRIPTION
1	353018	3/4 FLANGE BEARING
2	353024	DRIVE CONTROL SPACER
3	100274	5/16-18 X 1-1/4 HHCS
4	105257	5/16 SAE FLATWASHER
5	104256	5/16-18 NYLOC NUT
6	623095	5/16 LH ROD END (F)
7	453081	.312 ROD END (F)
8	353093	DRIVE LINKAGE
9	104752	5/16-24 JAM NUT
10	109015	1/4-20 X NUT CLIP
11	100252	1/4-20 X 3/4 HHCS
12	105004	1/4 STD LOCKWASHER
13	107520	5/16-18 X 1-3/4 TAP CARR BOLT
14	353151	5/16-18 SQ CAGE NUT
15	105258	5/16 STD FLAT WASHER
16	353143	DAMPER MOUNT
17	104255	1/4-20 NYLOC NUT
18	105255	1/4 SAE WASHER
19	823221	10MM BALL STUD
20	583415	DAMPER / CONTROL
21	104257	3/8-16 NYLOC NUT
22	100294	3/8-16 X 1-1/2 HHCS
23	852052	HANDLE MOUNT
24	107502	1/4-20 X 3/4 CARR BOLT
25	353021	SWITCH BRACKET
26	593041	NEUTRAL SWITCH
27	109001	5/16-18 WHIZLOCK NUT
28	352006	STEERING CONTROL LT
29	353063	LT CONTROL BRACKET
30	592042	HANDLE LH W/GRIP
31	523033	HANDLE PLUG
32	523032	HANDLE GRIP

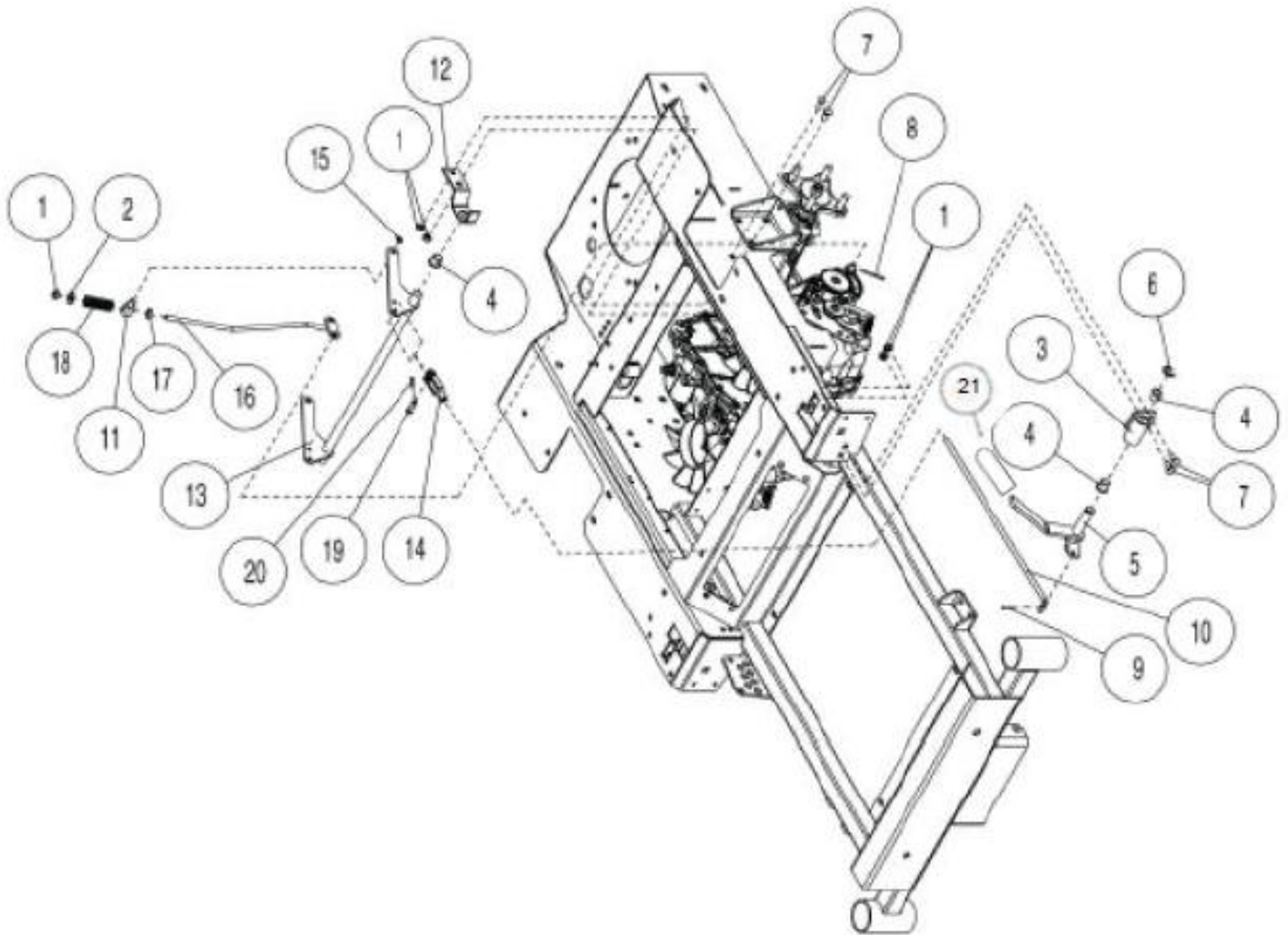
BRAKE ASSEMBLY – RIGHT HAND



BRAKE ASSEMBLY – RIGHT HAND

ITEM	PART NO.	DESCRIPTION
1	104256	5/16-18 NYLOC NUT
2	105258	5/16 STD FLAT WASHER
3	104255	1/4-20 NYLOC NUT
4	353057	5/8 FLANGE BUSHING
5	107503	5/16-18 X 3/4 CARR HEAD
6	100271	5/16-18 X 3/4 HHCS
7	423130	PARK BRAKE SWIVEL
8	353224	BRAKE SHAFT MOUNT – RH
9	352020	BRAKE SHAFT
10	523034	PARK BRAKE SWITCH
11	353073	BRAKE SWITCH ACTUATOR
12	100251	1/4-20 X 5/8 HHCS
13	363177	3/8 PUSH NUT
14	352062	LOWER BRAKE LINKAGE
15	523112	5/16 CLAMP COLLAR
16	523024	SPRING

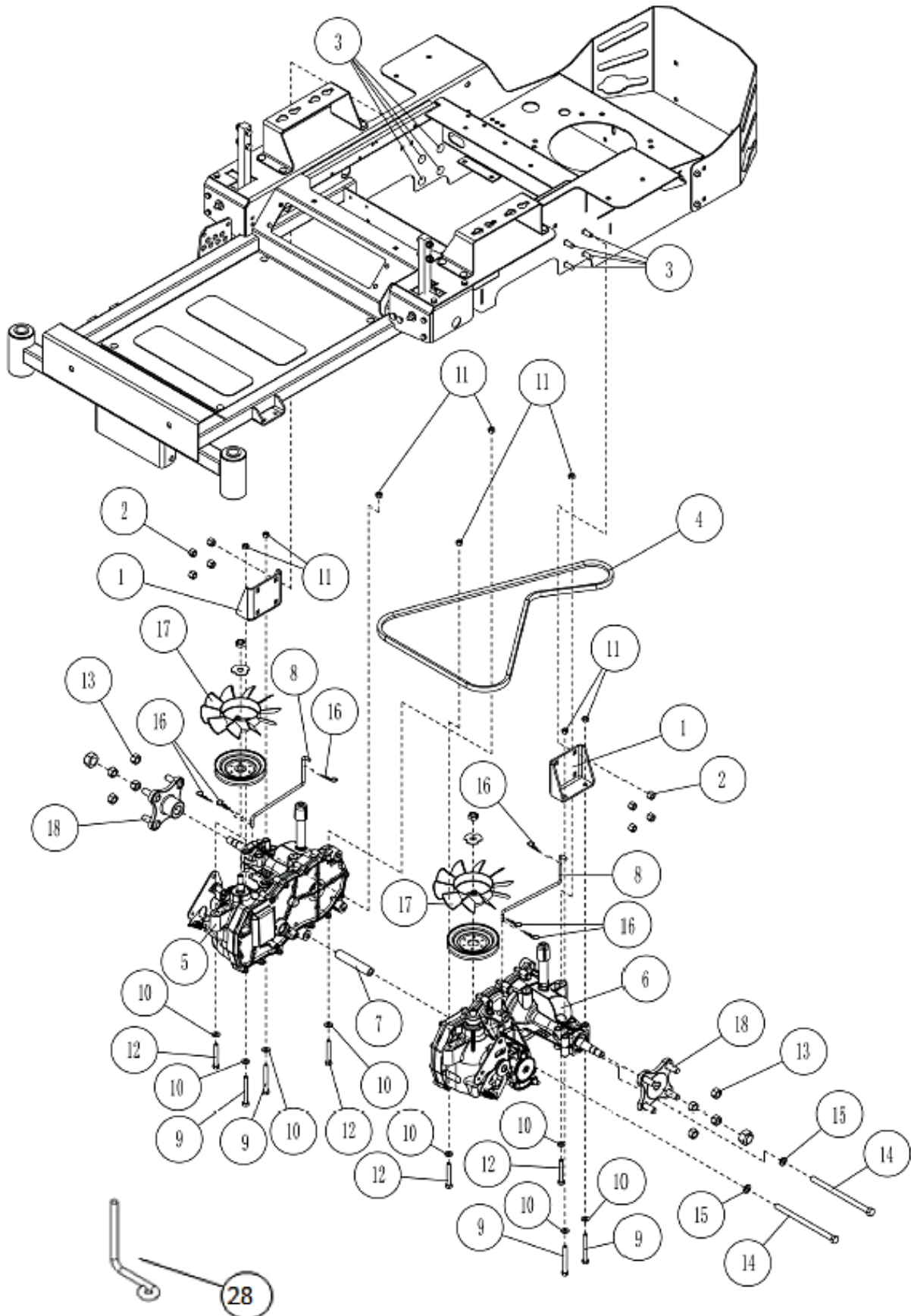
BRAKE ASSEMBLY – LEFT HAND



BRAKE ASSEMBLY – LEFT HAND

ITEM	PART NO.	DESCRIPTION
1	104256	5/16-18 NYLOC NUT
2	105256	5/16 STD FLAT WASHER
3	352024	BRAKE LEVER PIVOT
4	353057	5/8 FLANGE BUSHING
5	352022	BRAKE LEVER
6	108500	E-RING FOR 5/8 DIA
7	107503	5/16-18 X 3/4 CARR HEAD
8	100271	5/16 X 3/4 HHCS
9	106753	3/32 X 3/4 COTTER PIN
10	353071	BRAKE LINKAGE
11	423130	PARK BRAKE SWIVEL
12	353225	BRAKE SHAFT MOUNT – LH
13	352020	BRAKE SHAFT
14	363152	YOKE 5/16-24
15	363177	3/8 PUSH NUT
16	352064	LOWER BRAKE LINKAGE – LH
17	523112	5/16 CLAMP COLLAR
18	523024	SPRING
19	363144	CLEVIS PIN 5/16
20	106763	COTTER PIN 1/8 X 3/4

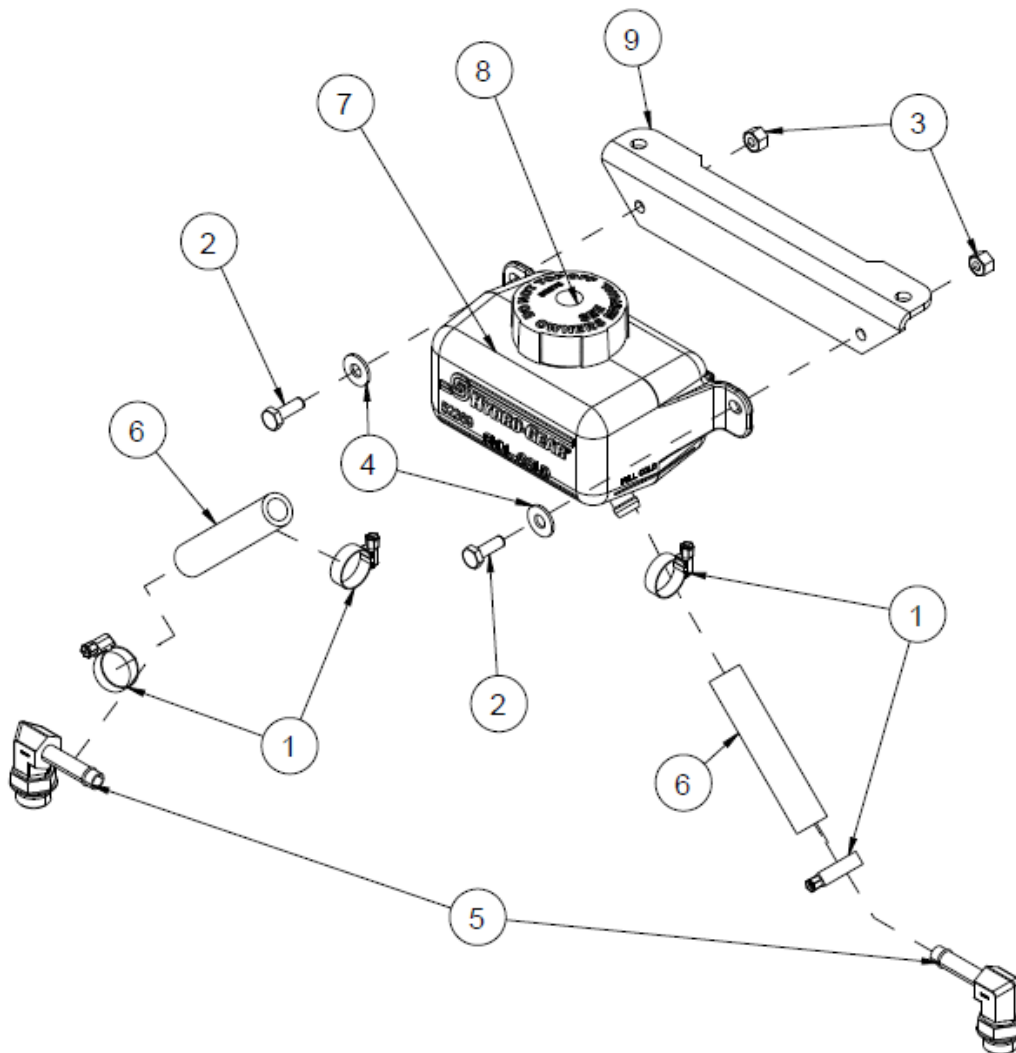
HYDRO ASSEMBLY



HYDRO ASSEMBLY

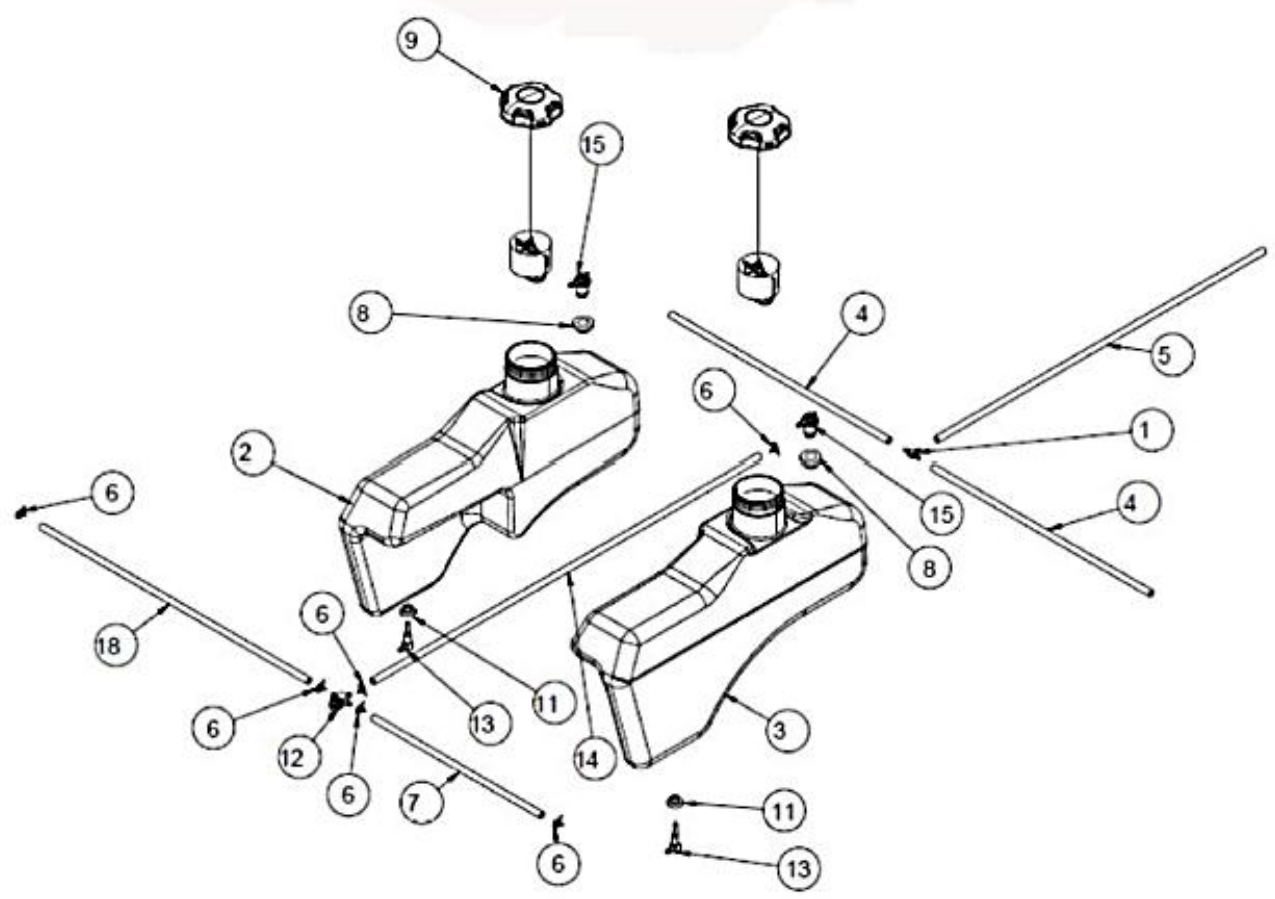
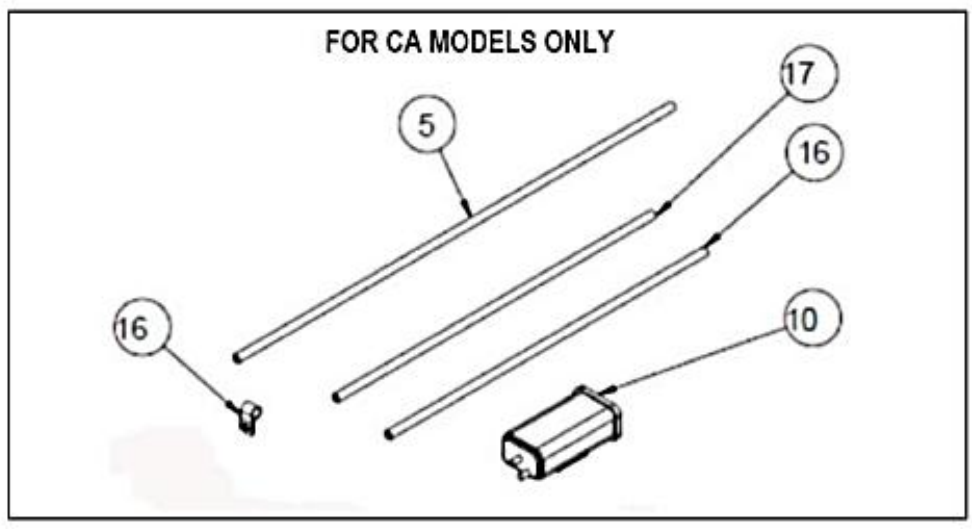
ITEM	PART NO.	DESCRIPTION
1	353013	AXLE MOUNT
2	104257	3/8-16 HEX NYLOC NUT
3	107526	3/8-16 X 1 CARR. BOLT
4	353112	PUMP BELT
5	353228	HYDRO, RH 3100-HYDRO GEAR # ZJ-GMEE-3LLB-1MLX
6	353229	HYDRO, LH 3100-HYDRO GEAR # ZJ-KMEE-3LLC-1MLX
7	353232	TIE ROD
8	353091	BYPASS LINKAGE
9	100280	5/16-18 X 2-3/4 HHCS
10	105257	5/16 SAE FLAT WASHER
11	104256	5/16-18 HEX NYLOC NUT
12	100278	5/16-18 X 2-1/4 HHCS
13	103023	1/2-20 LUG NUT
14	100296	3/8-16 X 2 HHCS
15	105006	3/8 LOCKWASHER
16	363165	#3 HAIRPIN COTTER
17	H-72125	FAN & PULLEY KIT
18	H-71446	HUB KIT
21	353227	HOSE
22	363269	CLAMP
23	353230	ADAPTER
24	353243	OIL TANK CAP
25	100252	1/4-20 X 3/4 HHCS
26	104255	1/4-20 HEX NYLOC NUT
27	105256	1/4 STD FLAT WASHER
28	353241	BELT GUIDE

HYDRO TANK ASSEMBLY



ITEM	PART NO.	DESCRIPTION
1	363269	FUEL VALVE CLAMP
2	100252	1/4-20 X 3/4 HHCS
3	104255	1/4-20 HEX NYLOC NUT
4	105256	1/4 STD FLAT WASHER
5	353230	ADPT, .50 X 90° HOSE BARB
6	353227	HOSE, EXPANSION TANK
7	853119	OIL TANK W/CAP
8	353243	CAP, EXPANSION TANK
9	353226	MOUNT, EXPANSION TANK

FUEL ASSEMBLY

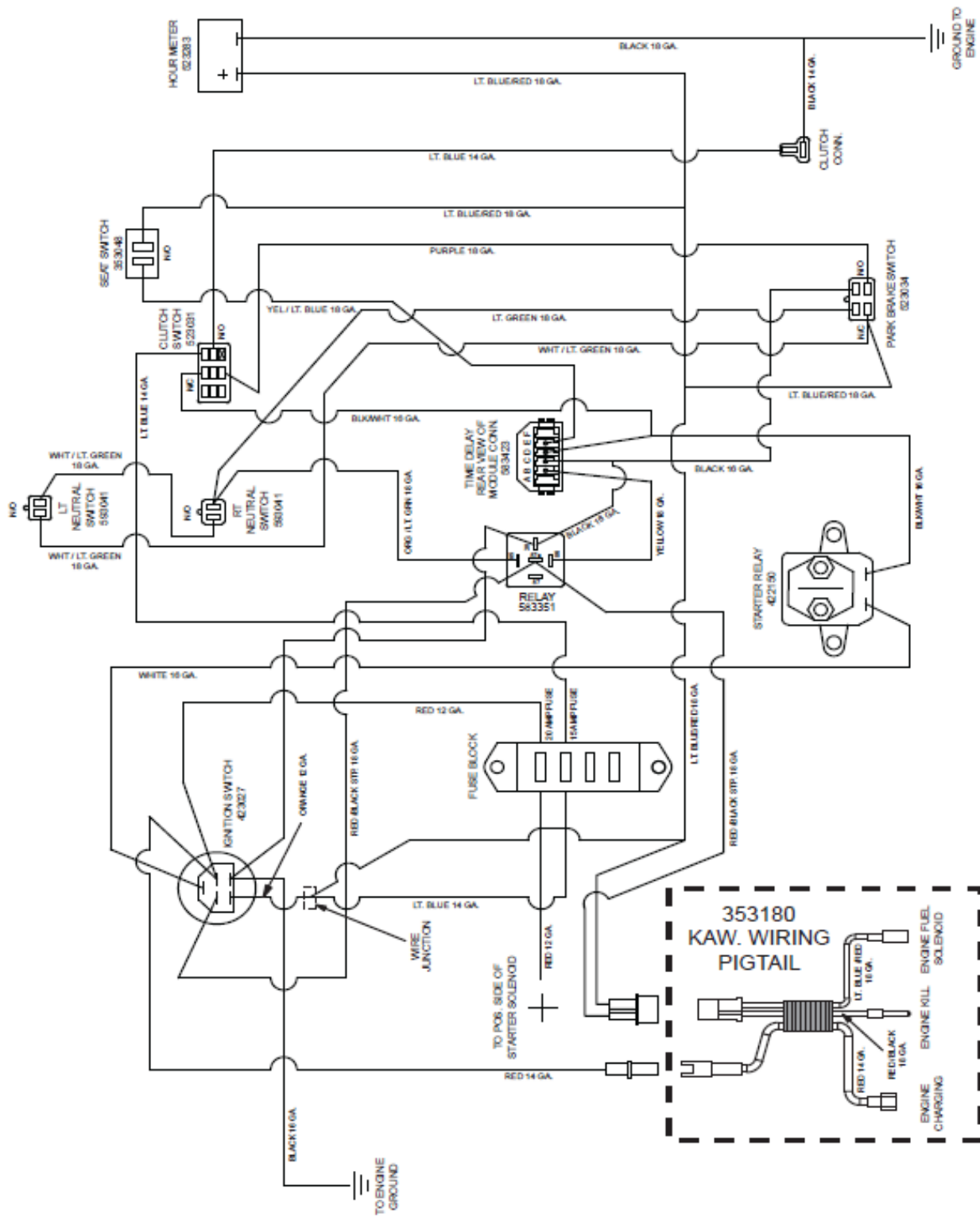


FUEL ASSEMBLY

ITEM	PART NO.	DESCRIPTION
1	623196	FTG FUEL TEE .25 BRASS BARBED
2	353221	TANK, LOW PERM FUEL LH
3	353220	TANK, LOW PERM FUEL RH
4	353223	HOSE, VENT 3/16 X 22"
5	353242	HOSE, VENT 3/16 X 33"
6	363098	FUEL LINE CLAMP
7	363099	FUEL LINE 17"
8	363412	GROMMET, VENT
9	363413	FUEL CAP – LARGE
10	353213	CARBON CANISTER 320CC
11	533125	VALVE GROMMET
12	583050	FUEL VALVE
13	583183	FUEL TANK ADAPTER
14	583185	FUEL LINE RH
15	593370	REMOTE VENT
16	603031	DRAIN CLAMP
17	623531	FUEL LINE (3/16 X 24")
18	823315	FUEL LINE – 27"

ELECTRICAL SYSTEM

WIRING HARNESS FOR FS600V KAWASAKI ENGINE – ENCORE PART #353132
 KAWASAKI WIRING PIGTAIL FOR FS600V ENGINE – ENCORE PART #353180



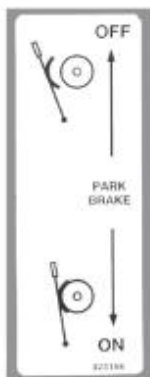
DART DECAL ASSEMBLY



1



2



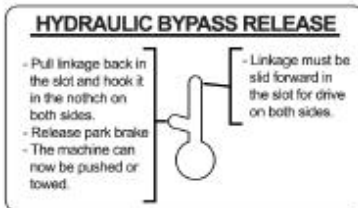
3



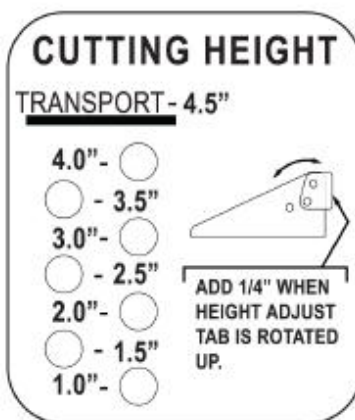
4



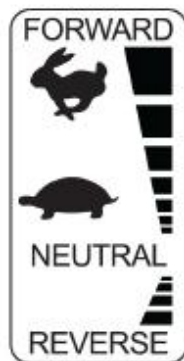
5



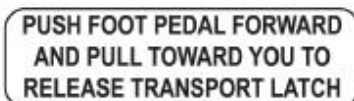
6



7



8



9



10



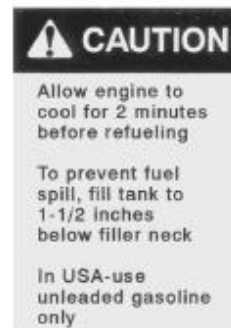
11



12



13



14

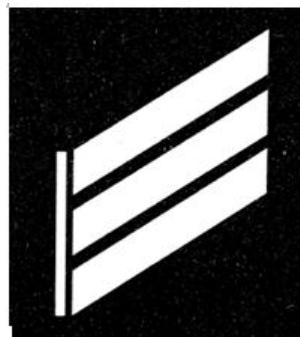
DART DECAL ASSEMBLY



15



16



17

ITEM	PART NO.	DESCRIPTION
1	453009	ENCORE W/LOGO
2	423155	DECAL, RIDER CAUTION
3	423156	DECAL, PARK LEVER
4	823320	DECAL, BATTERY WARNING
5	823323	DECAL, ROTATING PARTS
6	353125	DECAL, BYPASS
7	353129	DECAL, HEIGHT ADJUST
8	353130	DECAL, MOTION CONTROL
9	353131	DECAL, TRANSPORT
10	353236	DECAL, DART
11	353238	DECAL, PRO 34
12	363001	DECAL, CAUTION
13	363023	DECAL, DANGER
14	363290	DECAL, CAUTION FUEL
15	363363	ENCORE DECAL 10"
16	453010	OIL DECAL
17	543406	DECAL, ENCORE LOGO



ENCORE

ALL RIGHT RESERVED

CONTENTS SUBJECT TO CHANGE

ED34FS600V PARTS MANUAL

DART

20140805