



PARTS MANUAL

**ED34FS600V
ED34FS600VCA**

FOR SERIAL NUMBERS 62925 AND ABOVE

CONTENTS

| | |
|--|-----------|
| GENERAL INFORMATION | 5 |
| SERVICE LOCATOR CHART | 6 |
| DECK ASSEMBLY | 7 |
| DECK LIFT ASSEMBLY | 10 |
| FRAME ASSEMBLY | 13 |
| DRIVE ASSEMBLY | 19 |
| CONTROL ASSEMBLY – RIGHT HAND | 21 |
| CONTROL ASSEMBLY – LEFT HAND | 23 |
| BRAKE ASSEMBLY – RIGHT HAND | 25 |
| BRAKE ASSEMBLY – LEFT HAND | 27 |
| HYDRO ASSEMBLY | 29 |
| HYDRO TANK ASSEMBLY | 31 |
| FUEL ASSEMBLY..... | 32 |
| ELECTRICAL SYSTEM | 34 |
| DART DECAL ASSEMBLY..... | 35 |

GENERAL INFORMATION

| | | | | |
|------------------------------|---|------------------------------|-----------------------------------|--|
| Engine | | Pulleys | | |
| Kawasaki Electric FS600V-S00 | | 603070 | RH Spindle Pulley | |
| | | 423262 | LH Spindle Pulley | |
| Blades | | 533114 | Tensioner Pulley-Blade Drive Belt | |
| 423029 | 14" Blade | | Pump Tensioner Pulley | |
| 423014 | 14" Low Lift Blade | 823351 | Pump Drive Pulley | |
| 423173 | 14" Mulch Blade | 353101 | | |
| 423210 | 14" Super Hi-Lift Blade | | | |
| 603035 | 20" Blade | Front Caster Bearings | | |
| 603055 | 20" Blade | 423200 | Bearing | |
| 603056 | 20" Super Hi-Lift Blade | 423201 | Bearing Retainer | |
| Belts | | Seat | | |
| 353111 | Blade Drive Belt | 353244 | Seat | |
| 353112 | Pump Drive Belt | 353245 | Molded Arm Rest | |
| Tires | | | | |
| 353231 | Wheel/Tire Asm | | | |
| 353239 | Drive Tire 18-7.50x10 | | | |
| 353240 | Rim W/Valvestem | | | |
| 363311 | Front Caster Complete | | | |
| 363260 | Front Tire & Tube 4.10-3.50-4 | | | |
| Spindles | | | | |
| 583106 | Spindle Asm Complete | | | |
| 583111 | Housing | | | |
| 363350 | Bearing | | | |
| 583112 | Shaft | | | |
| 583113 | Bearing Spacer Tube | | | |
| Transmission | | | | |
| 353228 | RH 3100 Transaxle (Hydro-Gear Model #ZJ-GMEE-3LLB-1MLX) | | | |
| 353229 | LH 3100 Transaxle (Hydro-Gear Model #ZJ-KMEE-3LLC-1MLX) | | | |
| 423361 | Filter – 20W50 Motor Oil – Total System Capacity Approx 1.75 QT (1.66L) | | | |
| Throttle | 593043 | | | |
| Choke | 593044 | | | |
| Muffler | 353193 | | | |
| Wire Harness | 353132 | | | |
| Pigtail Harness | 353180 | | | |
| Clutch | 423285 | | | |
| Electrical Components | | | | |
| 423027 | Ignition Switch | | | |
| 422150 | Starter Relay | | | |
| 583423 | Time Delay Module | | | |
| 583351 | Relay | | | |
| 523034 | Park Brake Switch | | | |
| 593041 | Neutral Switch | | | |
| 523031 | PTO Switch | | | |
| 5000016A | Seat Switch | | | |
| 523283 | Hour Meter | | | |

SERVICE LOCATOR CHART

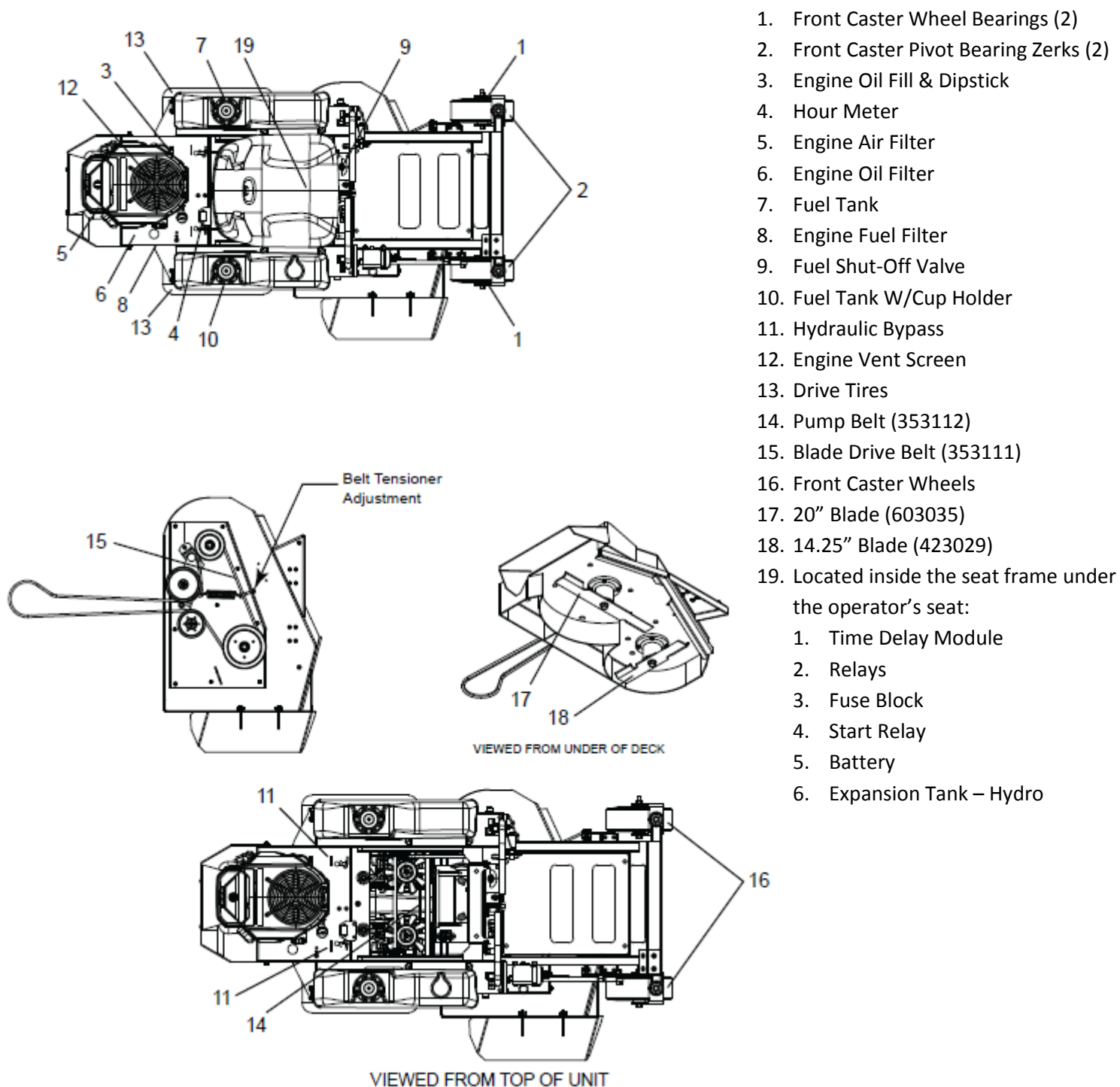
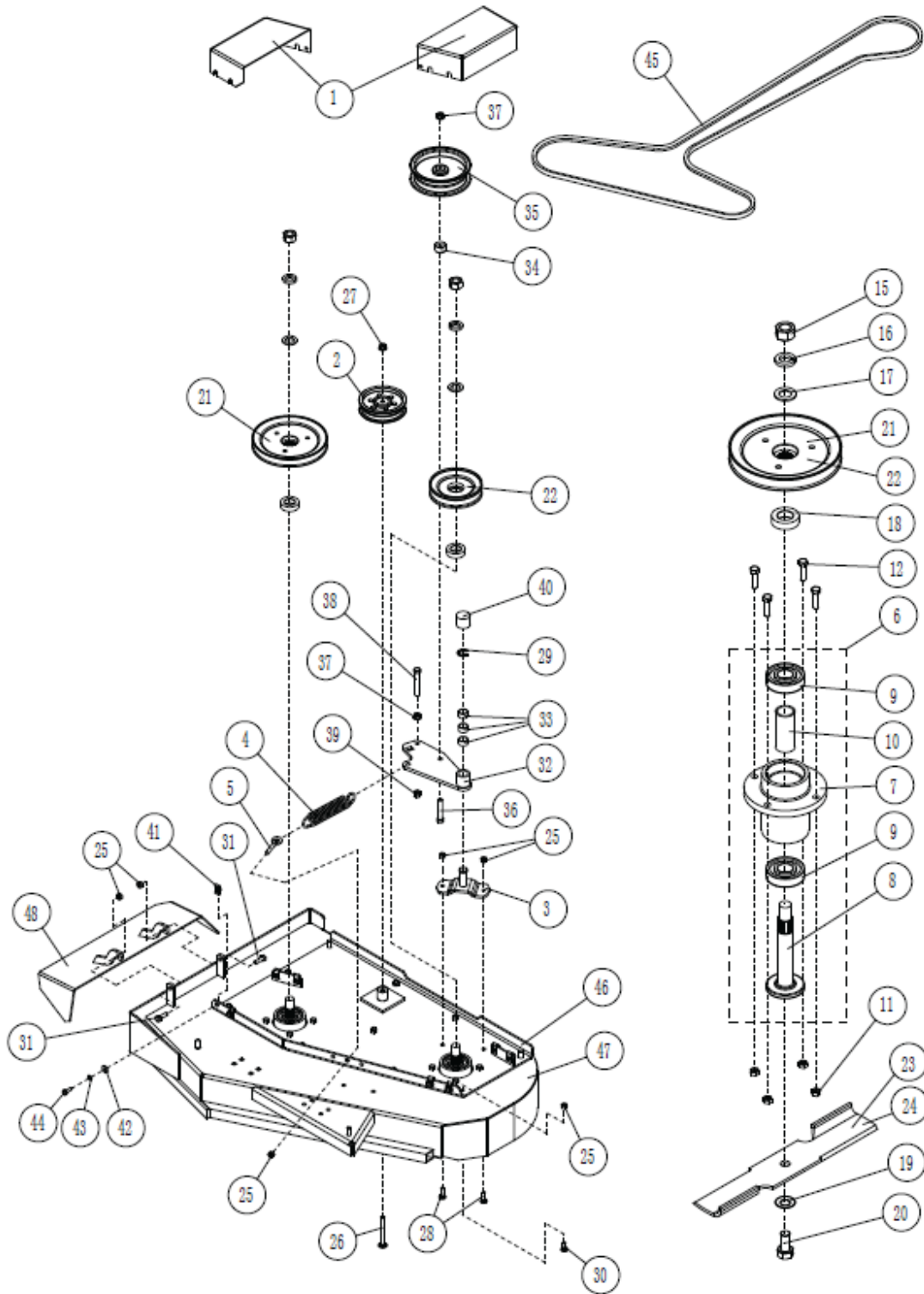


Figure 2

DECK ASSEMBLY

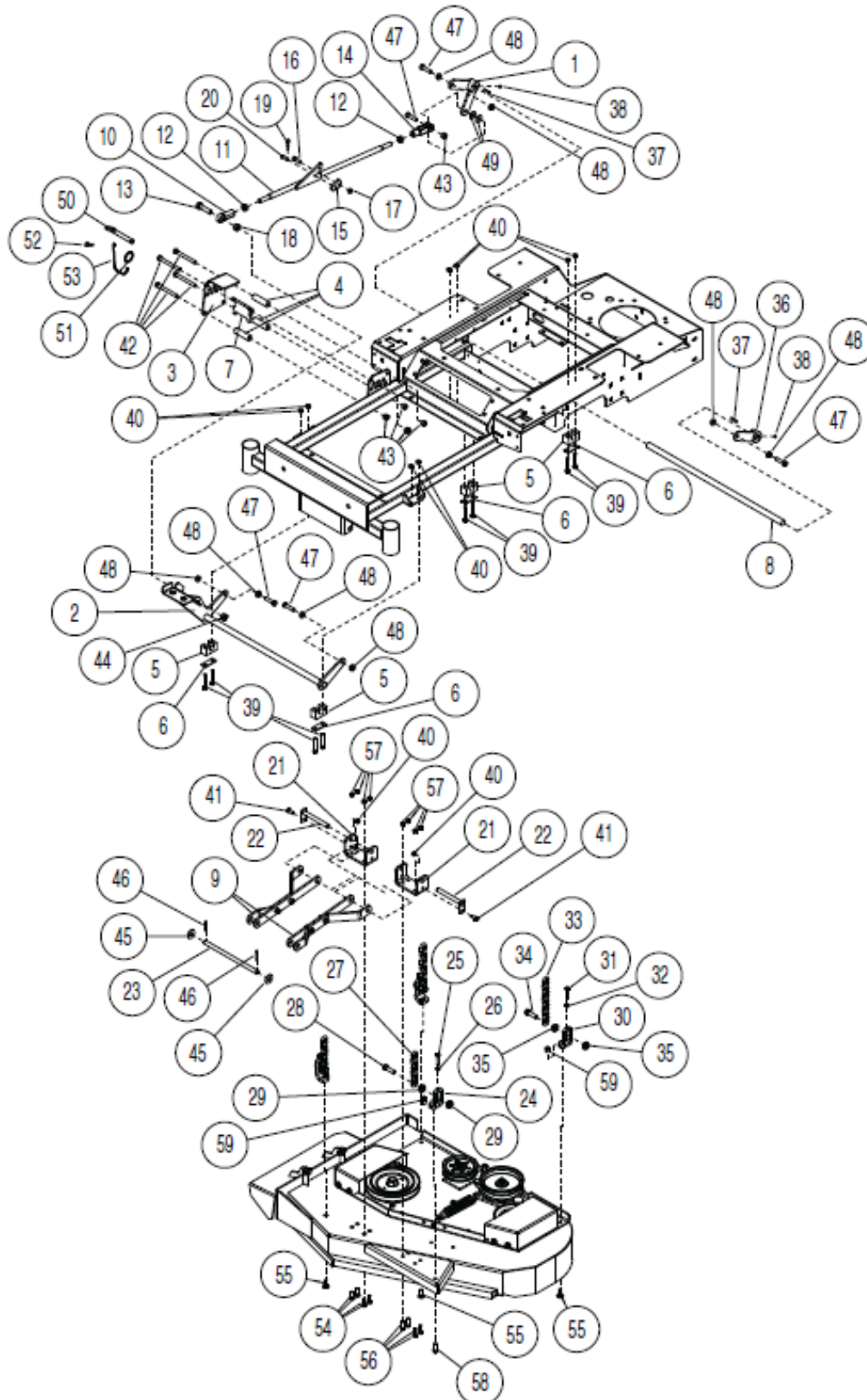


DECK ASSEMBLY

| ITEM | PART NO. | DESCRIPTION |
|------|----------|-------------------------------|
| 1 | 353105 | 34" BELT SHIELD |
| 2 | 523329 | FLOATING IDLER – FLAT |
| 3 | 522104 | OFFSET PIVOT |
| 4 | 523327 | FLOATING IDLER SPRING |
| 5 | 363080 | RIGHT EYEBOLT |
| 6 | 583106 | BLADE SPINDLE ASM |
| 7 | 583111 | SPINDLE HOUSING |
| 8 | 583112 | SPINDLE SHAFT |
| 9 | 363350 | BEARING – BLADE SPINDLE |
| 10 | 583113 | BEARING SPACER TUBE |
| 11 | 104256 | 5/16-18 NYLOC NUT |
| 12 | 100274 | 5/16-18 X 1-1/4 HHCS |
| 13 | ----- | ----- |
| 14 | ----- | ----- |
| 15 | 104511 | 3/4-16 HEX NUT |
| 16 | 105010 | 3/4 LOCK WASHER |
| 17 | 823015 | DECK ARM WASHER |
| 18 | 583110 | PULLEY SPACER |
| 19 | 583108 | 5/8 DISC SPRING WASHER |
| 20 | 100355 | 5/8-11 X 1-1/4 HHCS |
| 21 | 603070 | 7" HEX PULLEY |
| 22 | 423262 | 5" HEX PULLEY |
| 23 | 603035 | 20" BLADE |
| 24 | 423029 | 14.25 HIGH LIFT BLADE |
| 25 | 104256 | 5/16-18 NYLOC NUT |
| 26 | 107506 | 3/8-16 X 3-1/4 CARRIAGE BOLT |
| 27 | 109007 | 3/8 -16 WHIZLOCK NUT |
| 28 | 107509 | 5/16-18 X 1 CARRIAGE BOLT |
| 29 | 108509 | 3/4 E-RING |
| 30 | 107503 | 5/16 – 18 X 3/4 CARRIAGE BOLT |
| 31 | 100273 | 5/16 – 18 X 1 HHCS |
| 32 | 352048 | IDLER ARM W/BUSHINGS |
| 33 | 363089 | BRONZE BUSHINGS |
| 34 | 823309 | FRAME SPACER |
| 35 | 533114 | ENGAGEMENT IDLER |
| 36 | 100297 | 3/8-16 X 2-1/4 HHCS |
| 37 | 109007 | 3/8 – 16 WHIZLOCK NUT |
| 38 | 100299 | 3/8 – 16 X 2-3/4 HHCS |
| 39 | 104257 | 3/8 – 16 NYLOC NUT |
| 40 | 103009 | CAPLUG 1-1/4 |
| 41 | 109015 | 1/4 – 20 NUT CLIP |
| 42 | 105256 | 1/4 STD FLAT WASHER |
| 43 | 105004 | 1/4 STD LOCKWASHER |
| 44 | 100252 | 1/4 - 20 X 3/4 HHCS |

| | | |
|-----------|---------------|-----------------------------|
| 45 | 353111 | 34 DECK BELT |
| 46 | 352030 | 34 DECK PLATE |
| 47 | 352016 | Z34 DECK WELDMENT |
| 48 | 532073 | ASM, GRASS DEFLECTOR |
| | 533132 | CHUTE |
| | 533134 | TOP BRACKET |
| | 533136 | BOTTOM BRACKET |

DECK LIFT ASSEMBLY



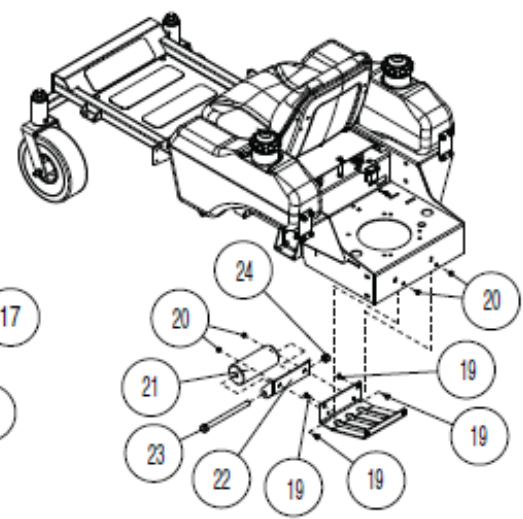
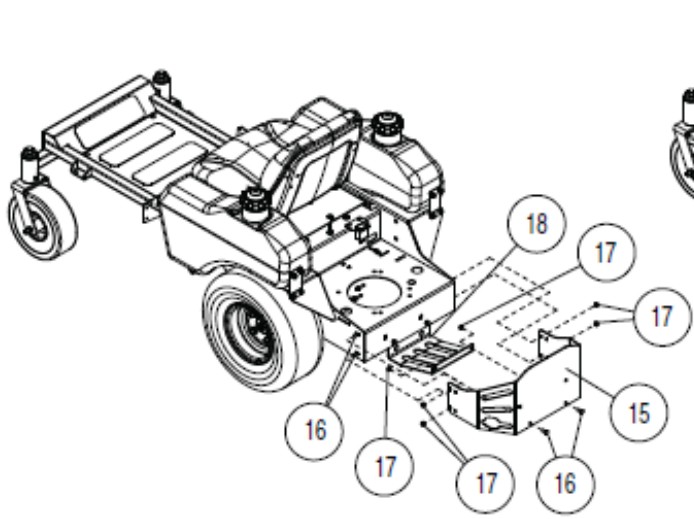
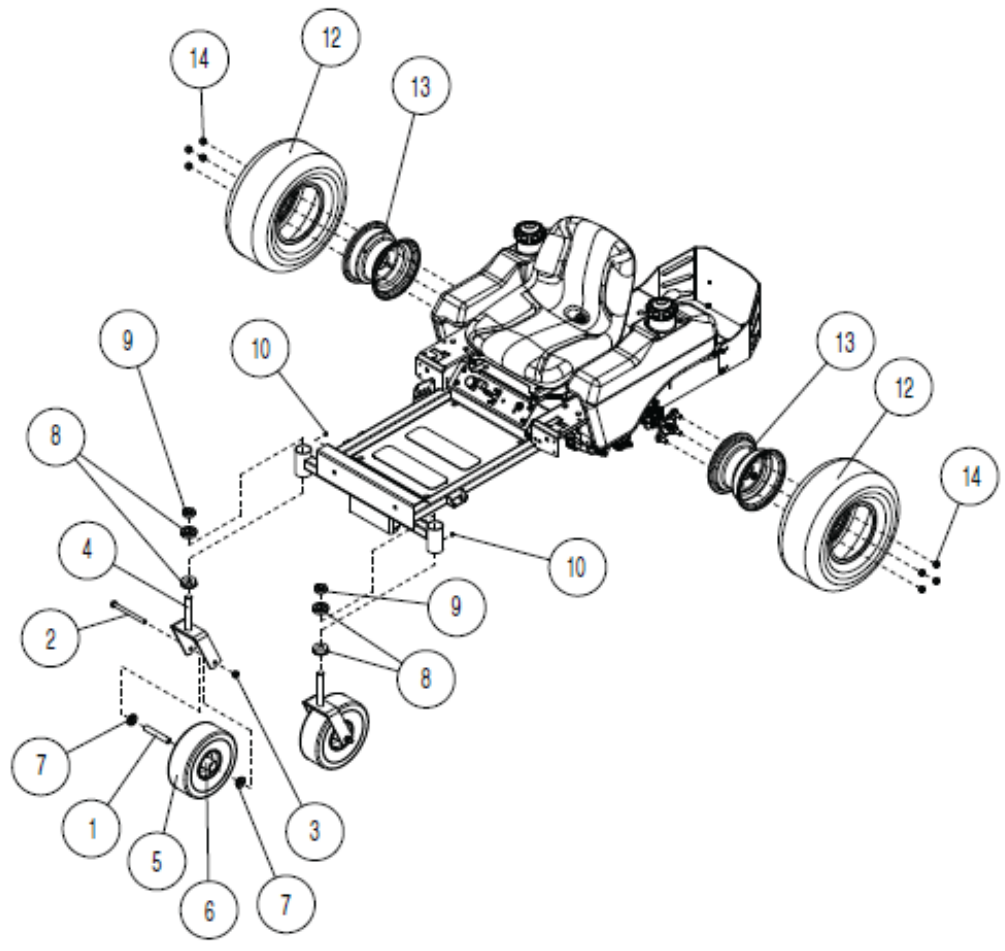
DECK LIFT ASSEMBLY

| ITEM | PART NO. | DESCRIPTION |
|------|----------|---------------------------------|
| 1 | 352010 | REAR LIFT BELLCRANK, RT |
| 2 | 352014 | FRONT LIFT SHAFT |
| 3 | 353043 | HEIGHT PLATE, OUTER |
| 4 | 353040 | HEIGHT PLATE SPACER |
| 5 | 353028 | PIVOT BLOCK |
| 6 | 353047 | PIVOT BLOCK PLATE |
| 7 | 352018 | TRANSPORT LATCH |
| 8 | 533010 | LIFT SHAFT – FRONT |
| 9 | ----- | STRUT ASM. (ORDER ITEM 60 & 61) |
| 10 | 533084 | ROD END 1/2" |
| 11 | 352028 | CONNECTING ROD |
| 12 | 104755 | 1/2-20 HEX JAM NUT |
| 13 | 100329 | 1/2-13 X 2 HHCS |
| 14 | 533083 | CLEVIS END 1/2" |
| 15 | 353038 | HEIGHT ADJUST TAB |
| 16 | 100273 | 5/16-18 X 1 HHCS |
| 17 | 104256 | 5/16-18 NYLOC NUT |
| 18 | 104509 | 1/2-13 HEX NUT |
| 19 | 363165 | #3 HAIRPIN COTTER |
| 20 | 363144 | CLEVIS PIN 5/16 |
| 21 | 353045 | STRUT MOUNT |
| 22 | 352032 | REAR STRUT PIVOT PIN |
| 23 | 353110 | FRONT STRUT PIN |
| 24 | 533112 | ADJUSTABLE CHAIN MT |
| 25 | 100006 | 1/4-20 X 1.5 HH TAP BOLT |
| 26 | 104758 | 1/4-20 HEX JAM NUT |
| 27 | 423359 | FRONT CHAIN |
| 28 | 100311 | 7/16-14 X 1-1/2 HHCS |
| 29 | 109027 | 7/16-14 WHIZLOCK NUT |
| 30 | 533112 | ADJUSTABLE CHAIN MT |
| 31 | 100006 | 1/4-20 X 1.5 HH TAP BOLT |
| 32 | 104758 | 1/4-20 HEX JAM NUT |
| 33 | 423360 | REAR CHAIN |
| 34 | 100311 | 7/16-14 X 1-1/2 HHCS |
| 35 | 109027 | 7/16-14 WHIZLOCK NUT |
| 36 | 352012 | REAR LIFT BELLCRANK, LT |
| 37 | 107255 | 3/16 X 3/16 X 1 MACHINE KEY |
| 38 | 103292 | 1/4-28 SETSCREW |
| 39 | 100277 | 5/16-18 X 2 HHCS |
| 40 | 104256 | 5/16-18 NYLOC NUT |
| 41 | 100271 | 5/16-18 X 3/4 HHCS |
| 42 | 100302 | 3/8-16 X 3-1/2 HHCS |
| 43 | 104257 | 3/8-16 NYLOC NUT |
| 44 | 104259 | 1/2-13 NYLOC NUT |

DECK LIFT ASSEMBLY

| ITEM | PART NO. | DESCRIPTION |
|------|----------|--------------------------|
| 45 | 105264 | 1/2 STD FLATWASHER |
| 46 | 106763 | 1/2 X 1-1/4 COTTER PIN |
| 47 | 100294 | 3/8-16 X 1-1/2 HHCS |
| 48 | 109007 | 3/8-16 WHIZ LOCK NUT |
| 49 | 105260 | 3/8 STD FLAT WASHER |
| 50 | 353153 | 1/2 X 3 RING PIN |
| 51 | 109002 | 1-1/2 O.D. SPLIT RING |
| 52 | 153025 | #4 HAIRPIN COTTER – PLTD |
| 53 | 123012 | SAFETY CHAIN |
| 54 | 107509 | 5/16-18 X 1 CARR. BOLT |
| 55 | 107528 | 3/8-16 X 1-1/4 CARR BOLT |
| 56 | 100273 | 5/16-18 X 1 HHCS |
| 57 | 104256 | 5/16-18 NYLOC NUT |
| 58 | 100292 | 3/8-16 X 1 HHCS |
| 59 | 104257 | 3/8-16 NYLOC NUT |
| 60 | 353050 | STRUT, BENT |
| 61 | 353052 | STRUT, STRAIGHT |

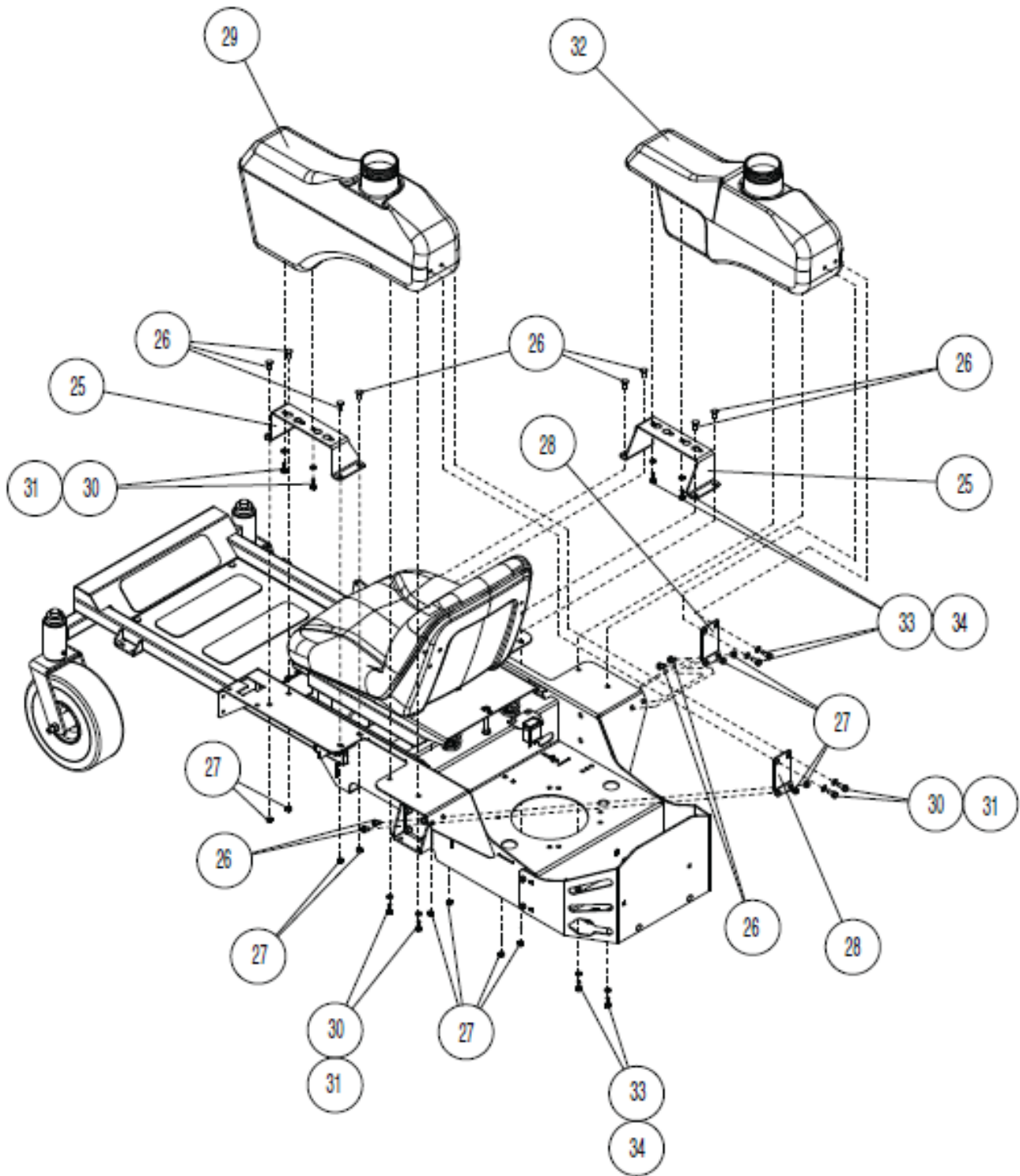
FRAME ASSEMBLY



FRAME ASSEMBLY

| ITEM | PART NO. | DESCRIPTION |
|------|----------|------------------------------------|
| 1 | 363307 | AXLE TUBE |
| 2 | 100339 | 1/2-13 X 6 HHCS |
| 3 | 104259 | 1/2-13 NYLOC NUT |
| 4 | 422016 | FRONT CASTER YOKE WELDMENT |
| 5 | 363260 | FRONT TIRE W/TUBE (4.10 X 3.5 X 4) |
| 6 | 363311 | FRONT CASTER COMPLETE |
| | ----- | FRONT RIM – NOT SERVICED |
| 7 | 423201 | BEARING RETAINER |
| 8 | 423109 | 7/8 FLANGE BEARING |
| 9 | 423071 | 7/8 CLAMP COLLAR |
| 10 | 111001 | 1/8 NPT STRAIGHT |
| 11 | 353231 | 18 X 7.50 – 10 TIRE ASM –NOT SHOWN |
| 12 | 353239 | DRIVE TIRE 18 X 7.5 X 10 |
| 13 | 353240 | RIM W/VALVESTEM 10 X 5.375 |
| 14 | 103023 | 1/2-20 LUG NUT |
| 15 | 353075 | ENGINE GUARD |
| 16 | 107503 | 5/16-18 X 3/4 CARR HEAD |
| 17 | 104256 | 5/16-18 NYLOC NUT |
| 18 | 353100 | SKID PLATE |
| 19 | 107503 | 5/16-18 X 3/4 CARR HEAD |
| 20 | 104256 | 5/16-18 NYLOC NUT |
| 21 | 603023 | FRONT ANTI-SCALP ROLLER |
| 22 | 353145 | WHEELIE BAR |
| 23 | 100351 | 5/8-11 X 8-1/2 HHCS |
| 24 | 104261 | 5/8-11 HEX NUT |

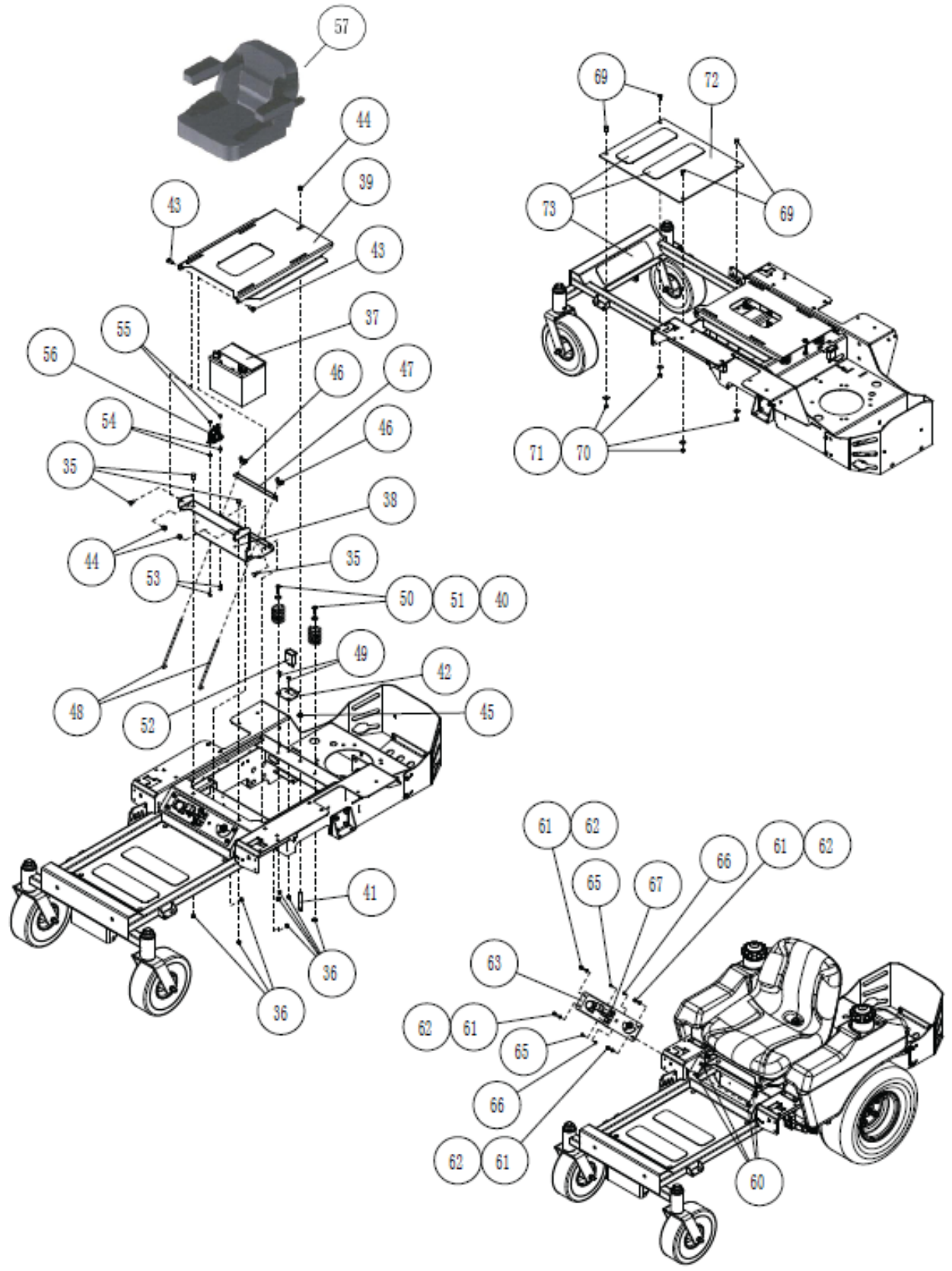
FRAME ASSEMBLY



FRAME ASSEMBLY

| ITEM | PART NO | DESCRIPTION |
|-------------|-------------------------|--------------------------------|
| 25 | 353067 | TANK SUPPORT |
| 26 | 107503 | 5/16-18 X 3/4 CARR HEAD |
| 27 | 104256 | 5/16-18 NYLOC NUT |
| 28 | 353085 | REAR TANK MOUNT |
| 29 | SEE FUEL SECTION | LH FUEL TANK |
| 30 | 100271 | 5/16-18 X 3/4 HHCS |
| 31 | 105005 | 5/16 LOCK WASHER |
| 32 | SEE FUEL SECTION | RH FUEL TANK |
| 33 | 100271 | 5/16-18 X 3/4 HHCS |
| 34 | 105005 | 5/16 LOCK WASHER |

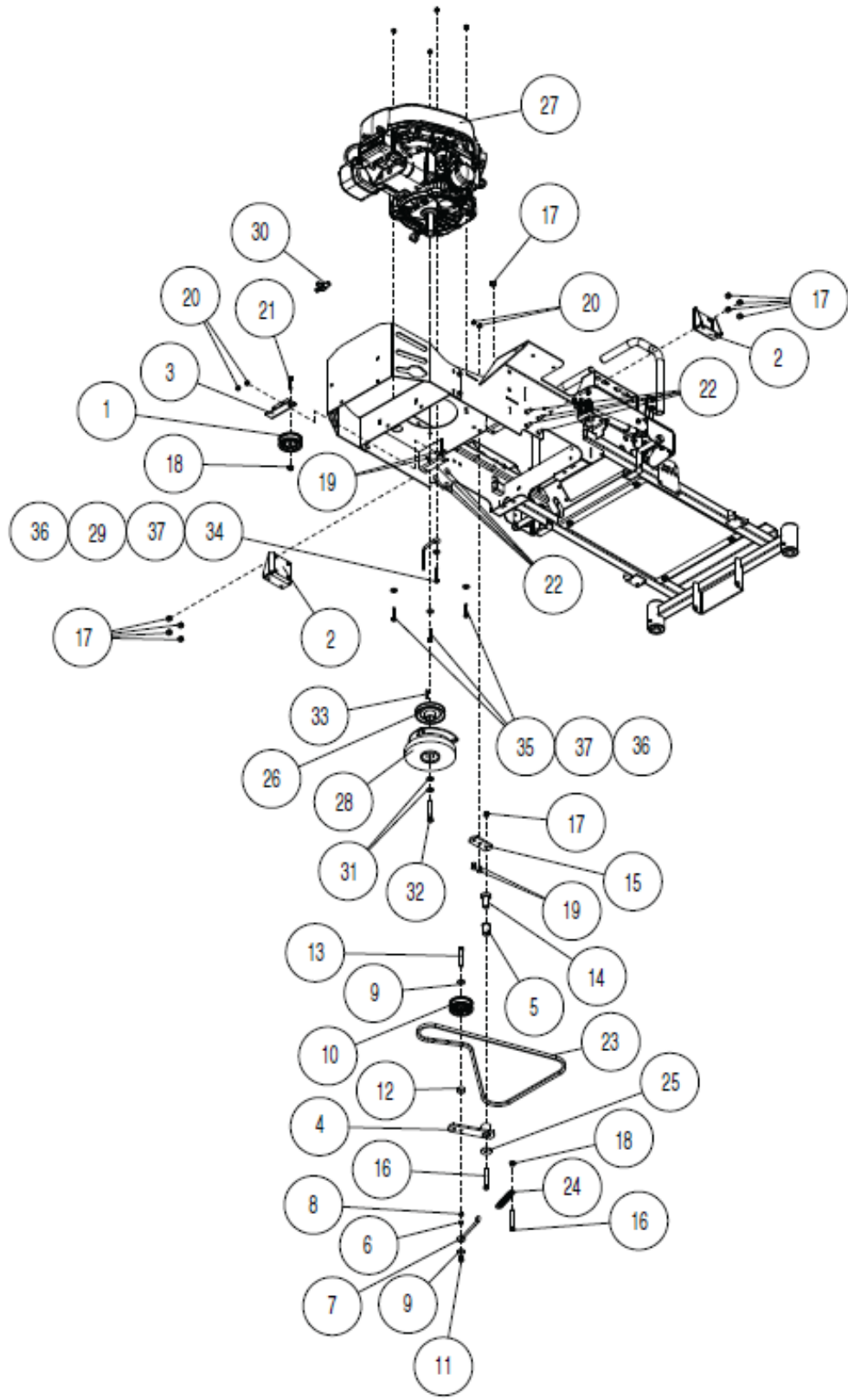
FRAME ASSEMBLY



FRAME ASSEMBLY

| ITEM | PART NO. | DESCRIPTION |
|-------|----------|-------------------------------|
| 35 | 107503 | 5/16-18 X 3/4 CARR HEAD |
| 36 | 104256 | 5/16-18 NYLOC NUT |
| 37 | ----- | BATTERY – REFERENCE ONLY |
| 38 | 353011 | BATTERY TRAY |
| 39 | 353015 | SEAT PAN |
| 40 | 523278 | SEAT SPRING |
| 41 | 100030 | 3/8-16 X 3 HHTB |
| 42 | 353083 | HOUR METER MOUNT |
| 43 | 100291 | 3/8-16 X 3/4 HHCS |
| 44 | 104257 | 3/8-16 NYLOC NUT |
| 45 | 109007 | 3/8-16 WHIZLOCK NUT |
| 46 | 109012 | 1/4 WING NUT |
| 47 | 423011 | HOLD DOWN ANGLE |
| 48 | 423172 | BATTERY HOLD DOWN |
| 49 | 107502 | 1/4-20 X 3/4 CARR BOLT |
| 50 | 100273 | 5/16-18 X 1 HHCS |
| 51 | 105258 | 5/16 STD FLAT WASHER |
| 52 | 523283 | HOUR METER |
| 53 | 109009 | #10-24 X .75 HHS |
| 54 | 109006 | #10 WHIZLOCK NUT |
| 55 | 104252 | #10-24 NYLOC NUT |
| 56 | 422150 | STARTER RELAY – WP |
| 57 | 353244 | SEAT COMPLETE W/O TRACKS |
| ----- | 353245 | PAD, SK ARM REST |
| ----- | 353246 | RH ARM REST BRKT |
| ----- | 353247 | LH ARM REST BRKT |
| ----- | 353048 | SEAT SWITCH MOUNT – NOT SHOWN |
| ----- | 5000016A | SEAT SWITCH – NOT SHOWN |
| 60 | 109015 | 1/4-20 NUT CLIP |
| 61 | 100252 | 1/4-20 X 3/4 HHCS |
| 62 | 105004 | 1/4 STD LOCKWASHER |
| 63 | 353177 | CONSOLE PLATE W/CHOKE |
| 64 | 523031 | PTO SWITCH – NOT SHOWN |
| 65 | 101039 | #10-24 X 5/8 PAN HD SCREW |
| 66 | 104252 | #10-24 NYLOC NUT |
| 67 | 593043 | THROTTLE CONTROL |
| 68 | 423027 | IGNITION SWITCH – NOT SHOWN |
| 69 | 107503 | 5/16-18 X 3/4 CARR HEAD |
| 70 | 104256 | 5/16-18 NYLOC NUT |
| 71 | 105258 | 5/16 STD FLAT WASHER |
| 72 | 353079 | FLOOR PAN |
| 73 | 423302 | Z-STEP TREAD |

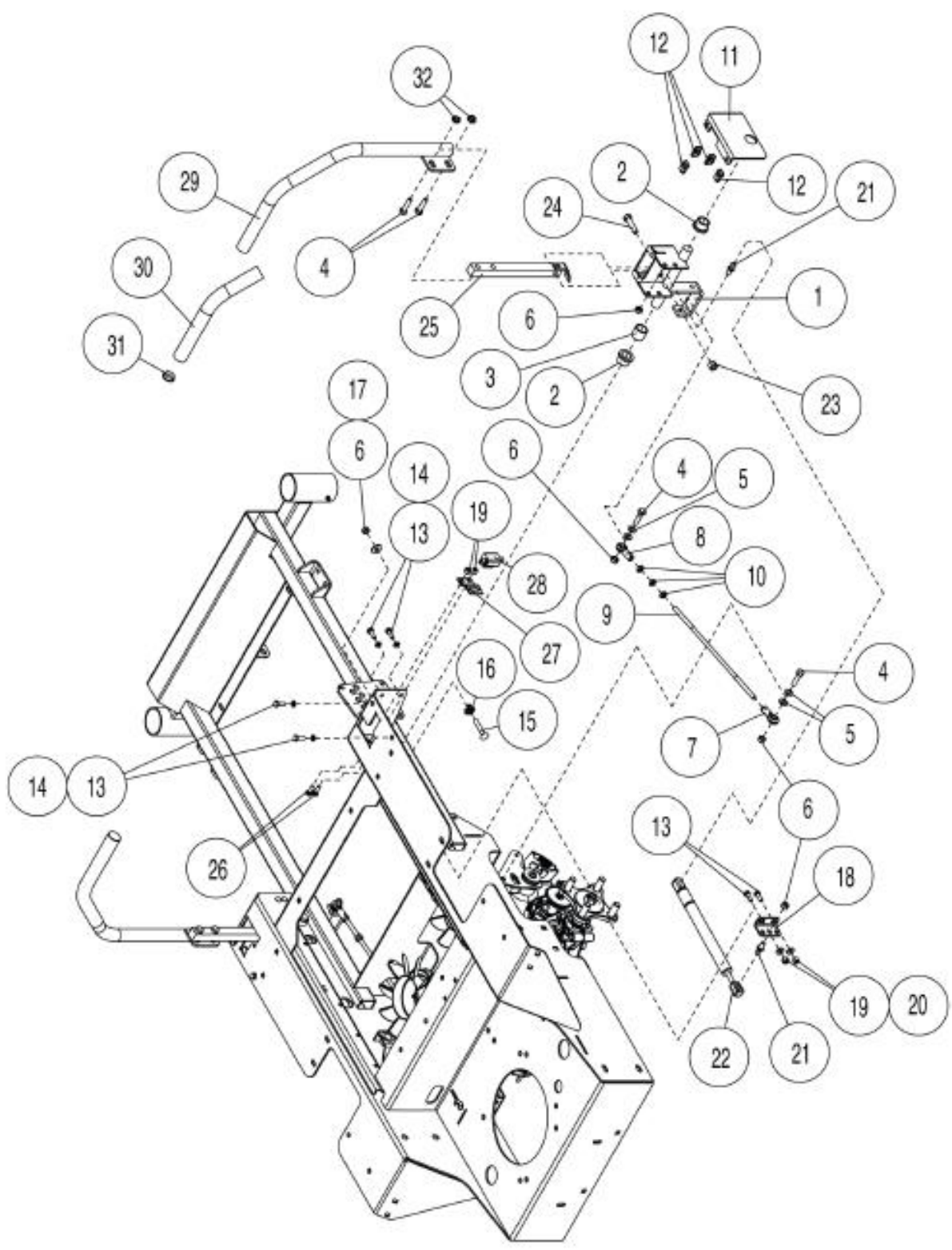
DRIVE ASSEMBLY



DRIVE ASSEMBLY

| ITEM | PART NO. | DESCRIPTION |
|------|----------|--------------------------------------|
| 1 | 353207 | PUMP DRIVE IDLER |
| 2 | 352026 | AXLE SUPPORT |
| 3 | 353087 | IDLER MOUNT |
| 4 | 422025 | TENSIONER W/BUSHING |
| 5 | 523111 | 3/4 PLASTIC BUSHING |
| 6 | 363174 | EYE BOLT SPACER |
| 7 | 423122 | PUMP TENSION ROD |
| 8 | 105005 | 3/8 LOCK WASHER |
| 9 | 105260 | 3/8 STD FLAT WASHER |
| 10 | 823351 | PUMP DRIVE IDLER |
| 11 | 104257 | 3/8-16 NYLOC NUT |
| 12 | 483017 | RH IDLER SPACER |
| 13 | 100299 | 3/8-16 X 2-3/4 HHCS |
| 14 | 423175 | IDLER PIVOT |
| 15 | 353089 | PUMP IDLER MOUNT |
| 16 | 100300 | 3/8-16 ZX 3 HHCS |
| 17 | 104257 | 3/8-16 NYLOC NUT |
| 18 | 109007 | 3/8-16 WHIZ LOCK NUT |
| 19 | 107503 | 5/16-18 X 3/4 CARR BOLT |
| 20 | 104256 | 5/16-18 NYLOC NUT |
| 21 | 100294 | 3/8-16 X 1-1/2 HHCS |
| 22 | 107526 | 3/8-16 X 1 CARR BOLT |
| 23 | 353112 | PUMP BELT |
| 24 | 553007 | IDLER SPRING |
| 25 | 373089 | RETAINING WASHER |
| 26 | 353101 | PULLEY |
| 27 | ----- | KAWASAKI FS600V – FOR REFERENCE ONLY |
| 28 | 423285 | CLUTCH |
| 29 | 373070 | BELT GUIDE – LONG |
| 30 | 343146 | OIL DRAIN VALVE 3/8 NPT |
| 31 | 423069 | 7/16 DISC SPRING WASHER |
| 32 | 100536 | 5/8-11 X 7 HHCS |
| 33 | 107260 | 1/4 X 1/4 X 1.25 |
| 34 | 100277 | 5/16-18 X 2 HHCS |
| 35 | 100276 | 5/1618 X 1-3/4 HHCS |
| 36 | 104256 | 5/16-18 NYLOC NUT |
| 37 | 363226 | 5/16 DISC SPRING WASHER |

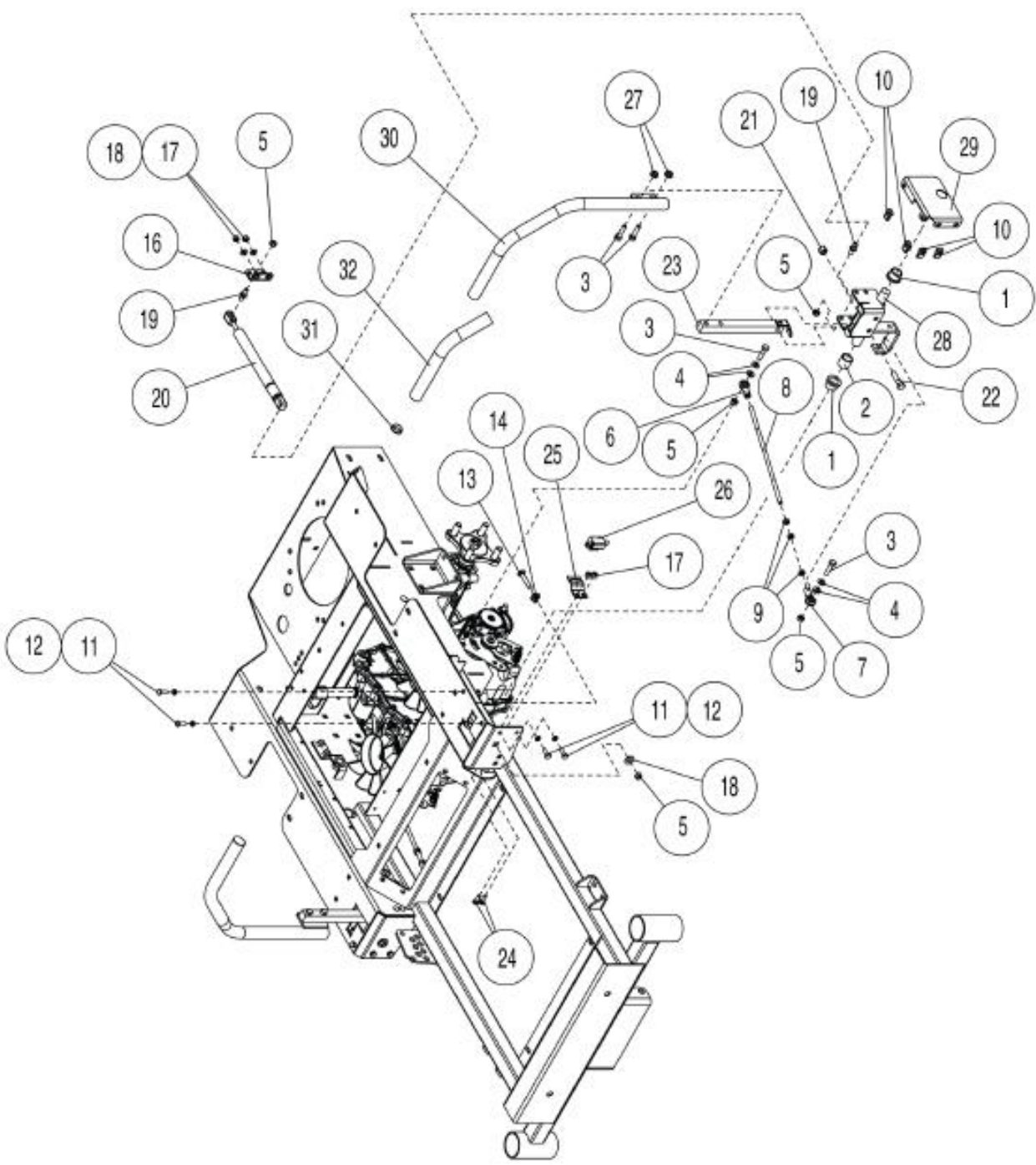
CONTROL ASSEMBLY – RIGHT HAND



CONTROL ASSEMBLY – RIGHT HAND

| ITEM | PART NO. | DESCRIPTION |
|------|----------|-------------------------------|
| 1 | 352004 | STEERING CONTROL RT |
| 2 | 353018 | 3/4" FLANGE BEARING |
| 3 | 353024 | DRIVE CONTROL SPACER |
| 4 | 100274 | 5/16-18 X 1-1/4 HHCS |
| 5 | 105257 | 5/16 SAE FLATWASHER |
| 6 | 104256 | 5/16-18 NYLOC NUT |
| 7 | 623095 | 5/16 LH ROD END (F) |
| 8 | 453081 | .312 ROD END (F) |
| 9 | 353093 | DRIVE LINKAGE |
| 10 | 104752 | 5/16-24 JAM NUT |
| 11 | 353061 | RT CONTROL BRACKET |
| 12 | 109015 | 1/4-20 NUT CLIP |
| 13 | 100252 | 1/4-20 X 3/4 HHCS |
| 14 | 105004 | 1/4 STD LOCKWASHER |
| 15 | 107520 | 5/16-18 X 1-3/4 TAP CARR BOLT |
| 16 | 353151 | 5/16-18 SQ CAGE NUT |
| 17 | 105258 | 5/16 STD FLAT WASHER |
| 18 | 353143 | DAMPER MOUNT |
| 19 | 104255 | 1/4-20 NYLOC NUT |
| 20 | 105255 | 1/4 SAE WASHER |
| 21 | 823221 | 10MM BALL STUD |
| 22 | 583415 | DAMPENER/CONTROL |
| 23 | 104257 | 3/8-16 HEX NYLOC NUT |
| 24 | 100294 | 3/8-16 X 1-1/2 HHCS |
| 25 | 852052 | HANDLE MOUNT |
| 26 | 107502 | 1/4-20 X 3/4 CARR BOLT |
| 27 | 353021 | SWITCH BRACKET |
| 28 | 593041 | NEUTRAL SWITCH |
| 29 | 592041 | HANDLE RH W/GRIP |
| 30 | 523032 | HANDLE GRIP |
| 31 | 523033 | HANDLE PLUG |
| 32 | 109001 | 5/16-18 WHIZLOCK NUT |

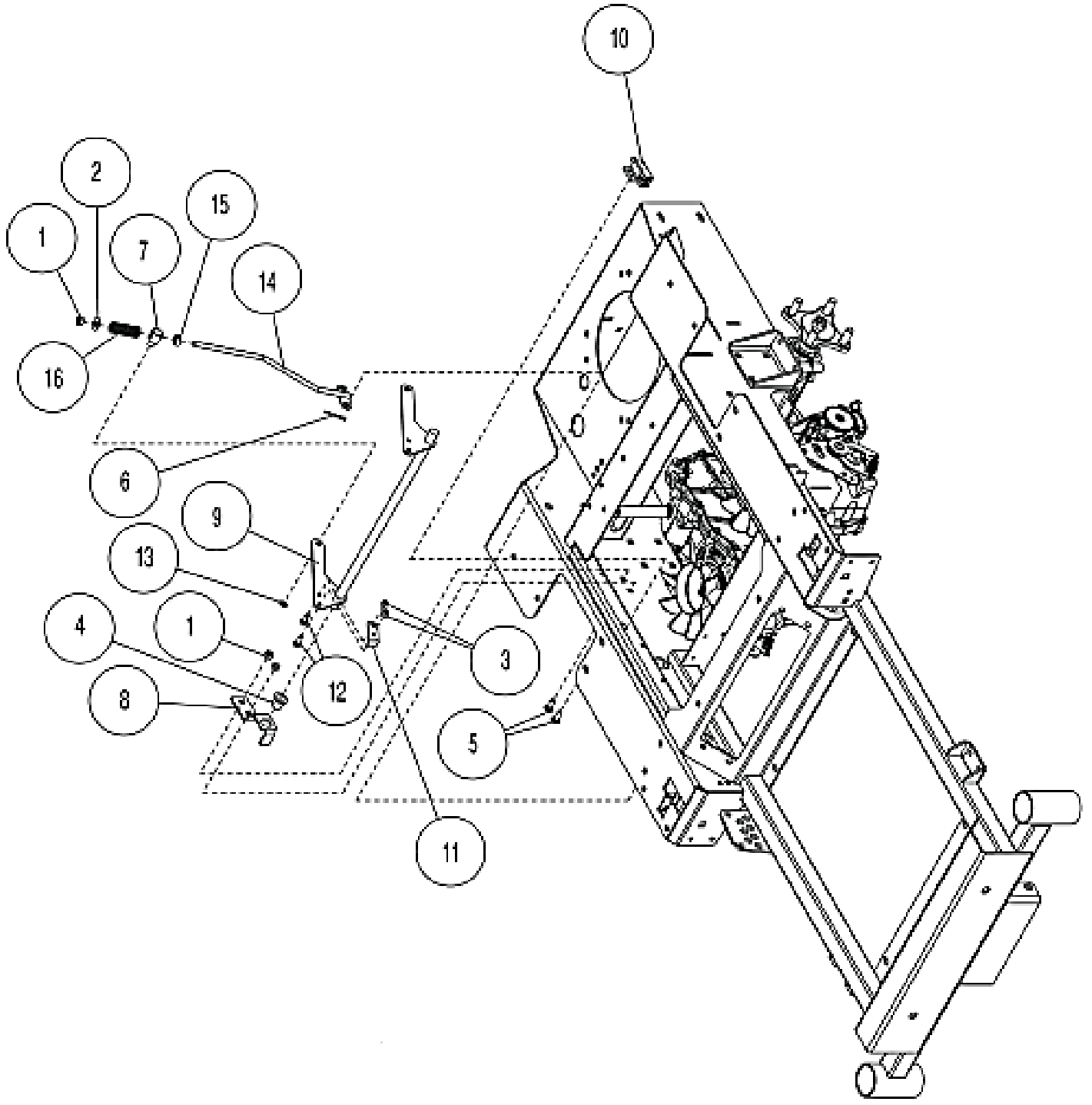
CONTROL ASSEMBLY – LEFT HAND



CONTROL ASSEMBLY – LEFT HAND

| ITEM | PART NO. | DESCRIPTION |
|------|----------|-------------------------------|
| 1 | 353018 | 3/4 FLANGE BEARING |
| 2 | 353024 | DRIVE CONTROL SPACER |
| 3 | 100274 | 5/16-18 X 1-1/4 HHCS |
| 4 | 105257 | 5/16 SAE FLATWASHER |
| 5 | 104256 | 5/16-18 NYLOC NUT |
| 6 | 623095 | 5/16 LH ROD END (F) |
| 7 | 453081 | .312 ROD END (F) |
| 8 | 353093 | DRIVE LINKAGE |
| 9 | 104752 | 5/16-24 JAM NUT |
| 10 | 109015 | 1/4-20 X NUT CLIP |
| 11 | 100252 | 1/4-20 X 3/4 HHCS |
| 12 | 105004 | 1/4 STD LOCKWASHER |
| 13 | 107520 | 5/16-18 X 1-3/4 TAP CARR BOLT |
| 14 | 353151 | 5/16-18 SQ CAGE NUT |
| 15 | 105258 | 5/16 STD FLAT WASHER |
| 16 | 353143 | DAMPER MOUNT |
| 17 | 104255 | 1/4-20 NYLOC NUT |
| 18 | 105255 | 1/4 SAE WASHER |
| 19 | 823221 | 10MM BALL STUD |
| 20 | 583415 | DAMPER / CONTROL |
| 21 | 104257 | 3/8-16 NYLOC NUT |
| 22 | 100294 | 3/8-16 X 1-1/2 HHCS |
| 23 | 852052 | HANDLE MOUNT |
| 24 | 107502 | 1/4-20 X 3/4 CARR BOLT |
| 25 | 353021 | SWITCH BRACKET |
| 26 | 593041 | NEUTRAL SWITCH |
| 27 | 109001 | 5/16-18 WHIZLOCK NUT |
| 28 | 352006 | STEERING CONTROL LT |
| 29 | 353063 | LT CONTROL BRACKET |
| 30 | 592042 | HANDLE LH W/GRIP |
| 31 | 523033 | HANDLE PLUG |
| 32 | 523032 | HANDLE GRIP |

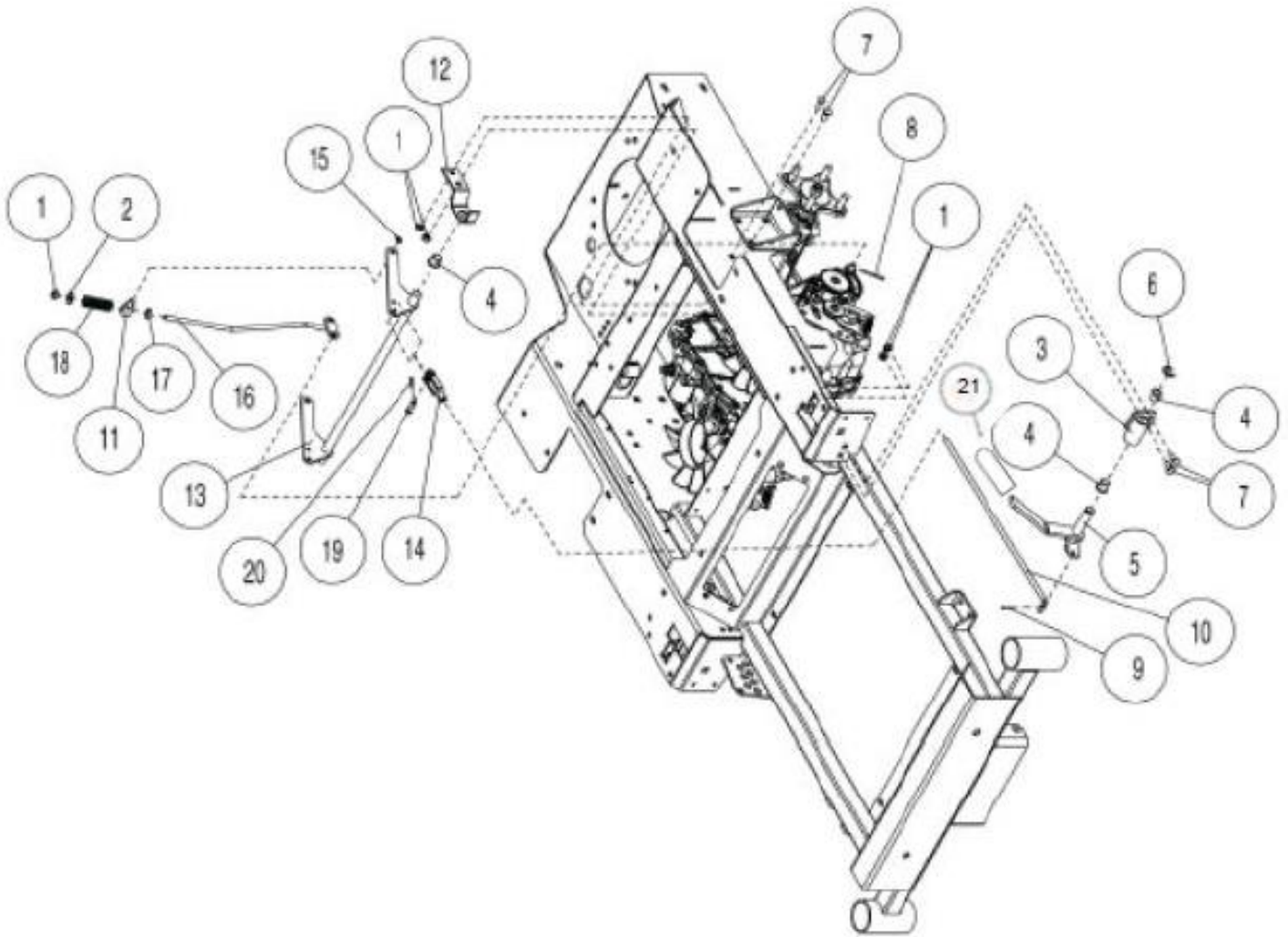
BRAKE ASSEMBLY – RIGHT HAND



BRAKE ASSEMBLY – RIGHT HAND

| ITEM | PART NO. | DESCRIPTION |
|-------------|-----------------|-------------------------|
| 1 | 104256 | 5/16-18 NYLOC NUT |
| 2 | 105258 | 5/16 STD FLAT WASHER |
| 3 | 104255 | 1/4-20 NYLOC NUT |
| 4 | 353057 | 5/8 FLANGE BUSHING |
| 5 | 107503 | 5/16-18 X 3/4 CARR HEAD |
| 6 | 100271 | 5/16-18 X 3/4 HHCS |
| 7 | 423130 | PARK BRAKE SWIVEL |
| 8 | 353224 | BRAKE SHAFT MOUNT – RH |
| 9 | 352020 | BRAKE SHAFT |
| 10 | 523034 | PARK BRAKE SWITCH |
| 11 | 353073 | BRAKE SWITCH ACTUATOR |
| 12 | 100251 | 1/4-20 X 5/8 HHCS |
| 13 | 363177 | 3/8 PUSH NUT |
| 14 | 352062 | LOWER BRAKE LINKAGE |
| 15 | 523112 | 5/16 CLAMP COLLAR |
| 16 | 523024 | SPRING |

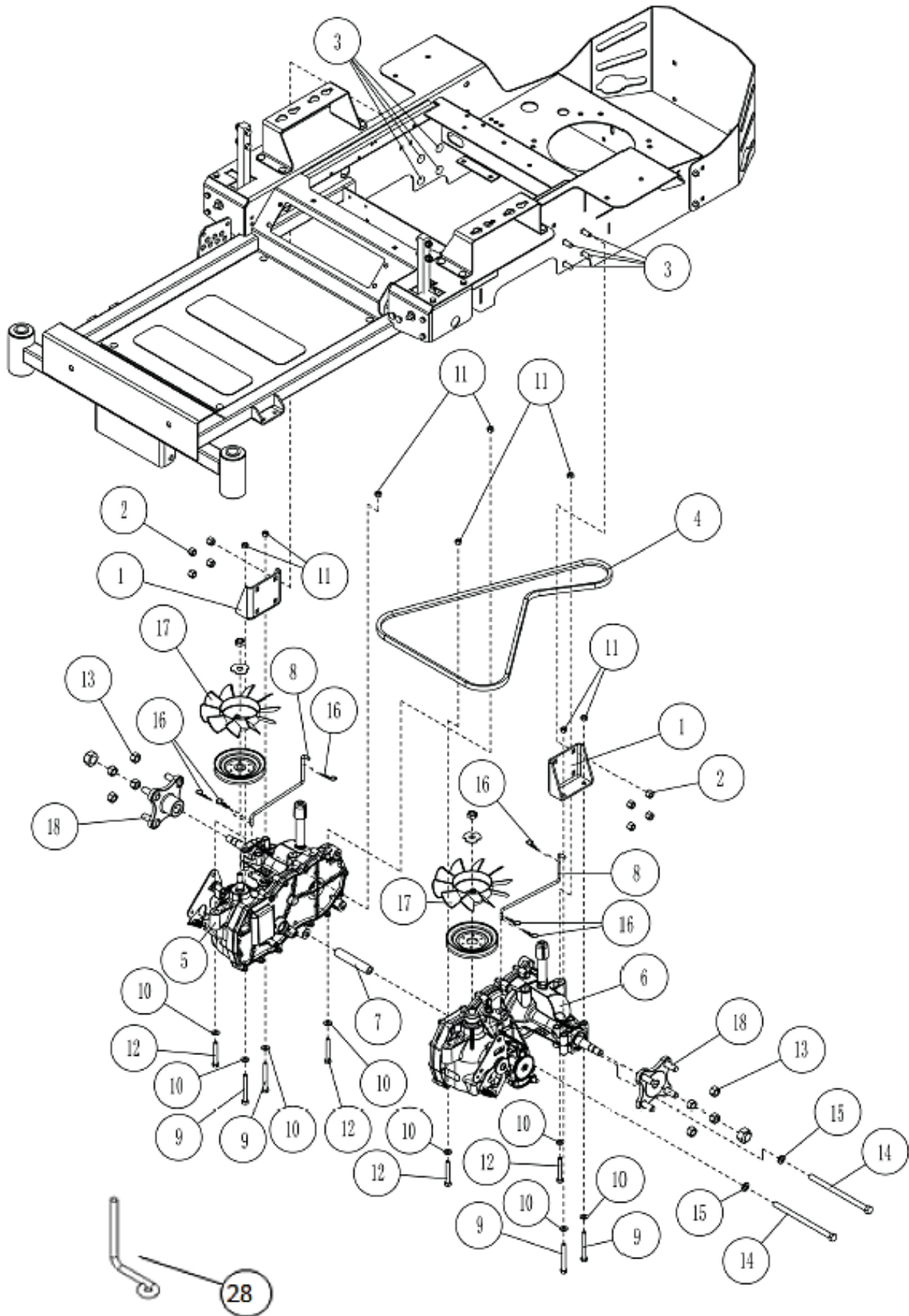
BRAKE ASSEMBLY – LEFT HAND



BRAKE ASSEMBLY – LEFT HAND

| ITEM | PART NO. | DESCRIPTION |
|------|----------|--------------------------|
| 1 | 104256 | 5/16-18 NYLOC NUT |
| 2 | 105256 | 5/16 STD FLAT WASHER |
| 3 | 352024 | BRAKE LEVER PIVOT |
| 4 | 353057 | 5/8 FLANGE BUSHING |
| 5 | 352022 | BRAKE LEVER |
| 6 | 108500 | E-RING FOR 5/8 DIA |
| 7 | 107503 | 5/16-18 X 3/4 CARR HEAD |
| 8 | 100271 | 5/16 X 3/4 HHCS |
| 9 | 106753 | 3/32 X 3/4 COTTER PIN |
| 10 | 353071 | BRAKE LINKAGE |
| 11 | 423130 | PARK BRAKE SWIVEL |
| 12 | 353225 | BRAKE SHAFT MOUNT – LH |
| 13 | 352020 | BRAKE SHAFT |
| 14 | 363152 | YOKE 5/16-24 |
| 15 | 363177 | 3/8 PUSH NUT |
| 16 | 352064 | LOWER BRAKE LINKAGE – LH |
| 17 | 523112 | 5/16 CLAMP COLLAR |
| 18 | 523024 | SPRING |
| 19 | 363144 | CLEVIS PIN 5/16 |
| 20 | 106763 | COTTER PIN 1/8 X 3/4 |

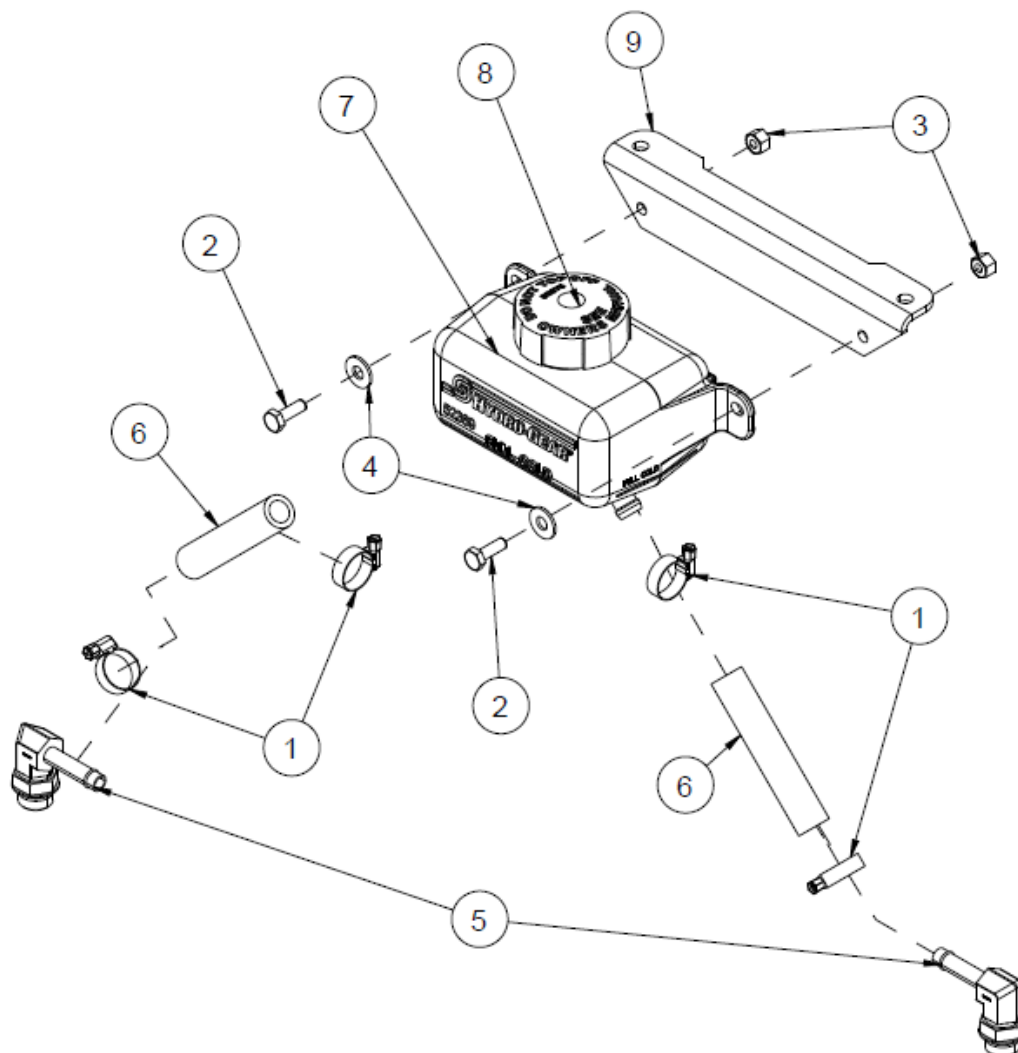
HYDRO ASSEMBLY



HYDRO ASSEMBLY

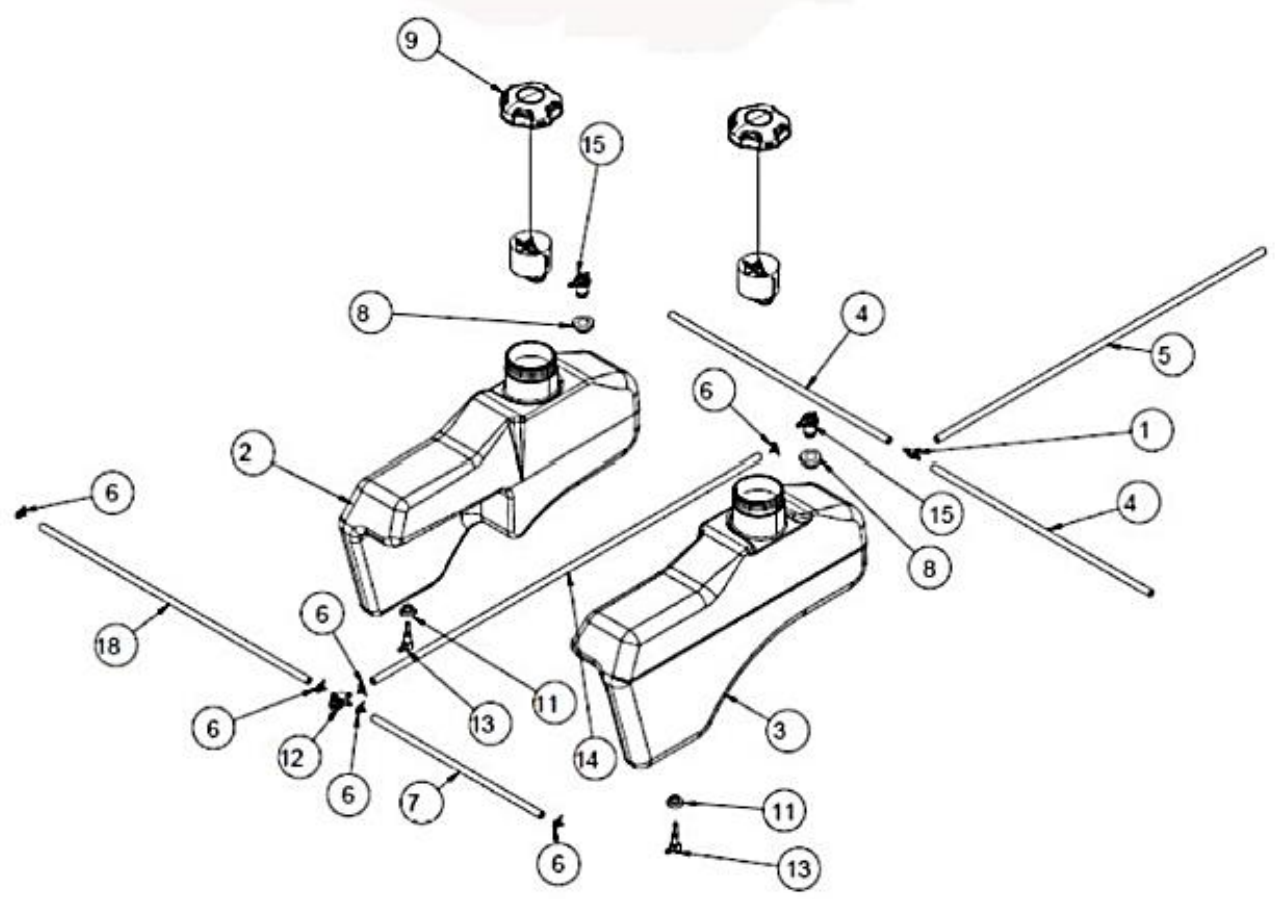
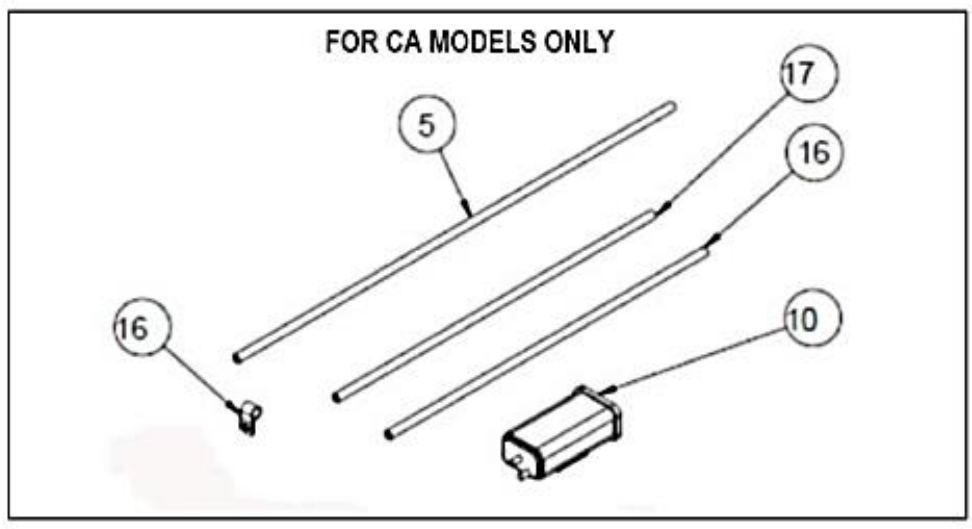
| ITEM | PART NO. | DESCRIPTION |
|-------------|-----------------|---|
| 1 | 353013 | AXLE MOUNT |
| 2 | 104257 | 3/8-16 HEX NYLOC NUT |
| 3 | 107526 | 3/8-16 X 1 CARR. BOLT |
| 4 | 353112 | PUMP BELT |
| 5 | 353228 | HYDRO, RH 3100-HYDRO GEAR # ZJ-GMEE-3LLB-1MLX |
| 6 | 353229 | HYDRO, LH 3100-HYDRO GEAR # ZJ-KMEE-3LLC-1MLX |
| 7 | 353232 | TIE ROD |
| 8 | 353091 | BYPASS LINKAGE |
| 9 | 100280 | 5/16-18 X 2-3/4 HHCS |
| 10 | 105257 | 5/16 SAE FLAT WASHER |
| 11 | 104256 | 5/16-18 HEX NYLOC NUT |
| 12 | 100278 | 5/16-18 X 2-1/4 HHCS |
| 13 | 103023 | 1/2-20 LUG NUT |
| 14 | 100296 | 3/8-16 X 2 HHCS |
| 15 | 105006 | 3/8 LOCKWASHER |
| 16 | 363165 | #3 HAIRPIN COTTER |
| 17 | H-72125 | FAN & PULLEY KIT |
| 18 | H-71446 | HUB KIT |
| 21 | 353227 | HOSE |
| 22 | 363269 | CLAMP |
| 23 | 353230 | ADAPTER |
| 24 | 353243 | OIL TANK CAP |
| 25 | 100252 | 1/4-20 X 3/4 HHCS |
| 26 | 104255 | 1/4-20 HEX NYLOC NUT |
| 27 | 105256 | 1/4 STD FLAT WASHER |
| 28 | 353241 | BELT GUIDE |

HYDRO TANK ASSEMBLY



| ITEM | PART NO. | DESCRIPTION |
|------|----------|-----------------------|
| 1 | 363269 | FUEL VALVE CLAMP |
| 2 | 100252 | 1/4-20 X 3/4 HHCS |
| 3 | 104255 | 1/4-20 HEX NYLOC NUT |
| 4 | 105256 | 1/4 STD FLAT WASHER |
| 5 | 353264 | ADPT, EXPANSION TANK |
| 6 | 353257 | HOSE, EXPANSION TANK |
| 7 | 853119 | OIL TANK W/CAP |
| 8 | 353243 | CAP, EXPANSION TANK |
| 9 | 353226 | MOUNT, EXPANSION TANK |

FUEL ASSEMBLY



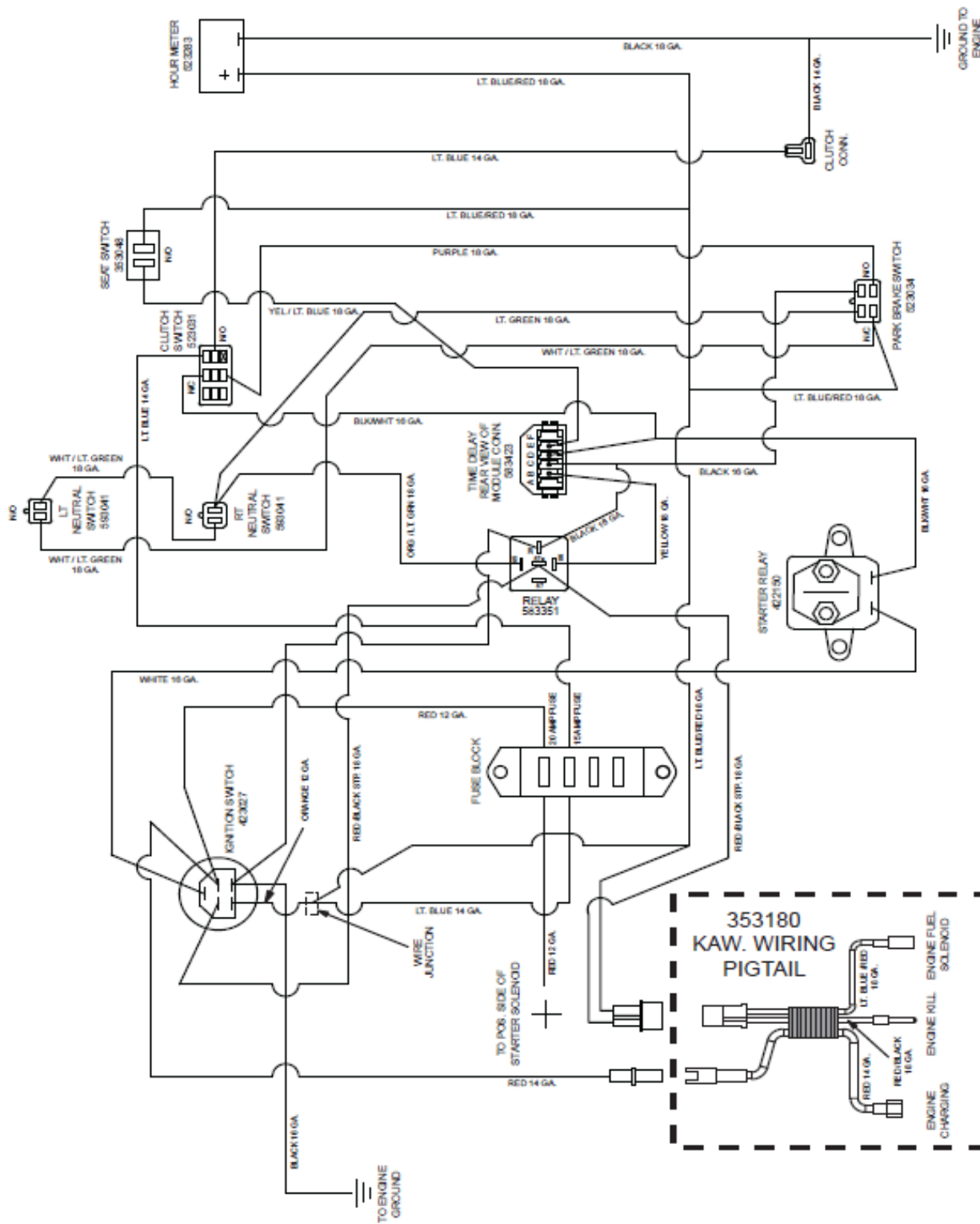
FUEL ASSEMBLY

| ITEM | PART NO. | DESCRIPTION |
|-------------|-----------------|-------------------------------|
| 1 | 623196 | FTG FUEL TEE .25 BRASS BARBED |
| 2 | 353254 | TANK, LOW PERM FUEL LH |
| 3 | 353253 | TANK, LOW PERM FUEL RH |
| 4 | 353223 | HOSE, VENT 3/16 X 22" |
| 5 | 353242 | HOSE, VENT 3/16 X 33" |
| 6 | 363098 | FUEL LINE CLAMP |
| 7 | 363099 | FUEL LINE 17" |
| 8 | 363412 | GROMMET, VENT |
| 9 | 363413 | FUEL CAP – LARGE |
| 10 | 353213 | CARBON CANISTER 320CC |
| 11 | 533125 | VALVE GROMMET |
| 12 | 583050 | FUEL VALVE |
| 13 | 583183 | FUEL TANK ADAPTER |
| 14 | 583185 | FUEL LINE RH |
| 15 | 593370 | REMOTE VENT |
| 16 | 603031 | DRAIN CLAMP |
| 17 | 623531 | FUEL LINE (3/16 X 24") |
| 18 | 823315 | FUEL LINE – 27" |

ELECTRICAL SYSTEM

WIRING HARNESS FOR FS600V KAWASAKI ENGINE – ENCORE PART #353132

KAWASAKI WIRING PIGTAIL FOR FS600V ENGINE – ENCORE PART #353180



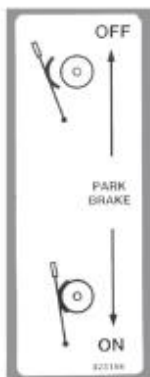
DART DECAL ASSEMBLY



1



2



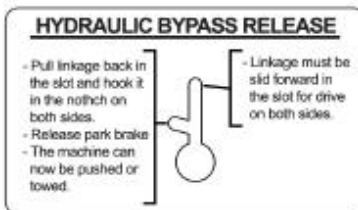
3



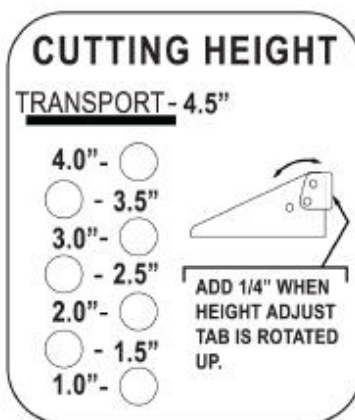
4



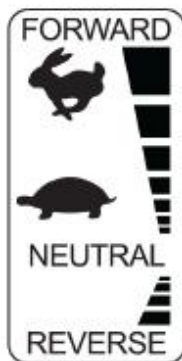
5



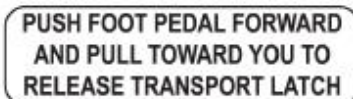
6



7



8



9



10



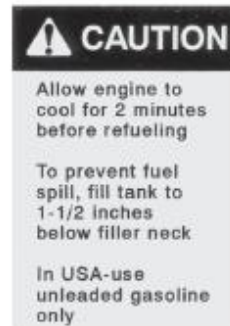
11



12



13



14

DART DECAL ASSEMBLY



15



16



17

| ITEM | PART NO. | DESCRIPTION |
|------|----------|------------------------|
| 1 | 453009 | ENCORE W/LOGO |
| 2 | 423155 | DECAL, RIDER CAUTION |
| 3 | 423156 | DECAL, PARK LEVER |
| 4 | 823320 | DECAL, BATTERY WARNING |
| 5 | 823323 | DECAL, ROTATING PARTS |
| 6 | 353125 | DECAL, BYPASS |
| 7 | 353129 | DECAL, HEIGHT ADJUST |
| 8 | 353130 | DECAL, MOTION CONTROL |
| 9 | 353131 | DECAL, TRANSPORT |
| 10 | 353236 | DECAL, DART |
| 11 | 353238 | DECAL, PRO 34 |
| 12 | 363001 | DECAL, CAUTION |
| 13 | 363023 | DECAL, DANGER |
| 14 | 363290 | DECAL, CAUTION FUEL |
| 15 | 363363 | ENCORE DECAL 10" |
| 16 | 453010 | OIL DECAL |
| 17 | 543406 | DECAL, ENCORE LOGO |



ENCORE

ALL RIGHT RESERVED

CONTENTS SUBJECT TO CHANGE

ED34FS600V PARTS MANUAL

DART

201705