



F48K19

**PARTS
MANUAL**



Table of Contents

| | |
|---|-----|
| GENERAL INFORMATION | |
| ENCORE WARRANTY INFORMATION | A-1 |
| FUZION KAWASAKI QUICK REFERENCE SHEET | A-2 |
| SERVICE LOCATOR CHART | A-3 |
| DECK COMPONENTS | B-1 |
| DECK LIFT COMPONENTS | C-1 |
| FRAME COMPONENTS..... | D-1 |
| DRIVE COMPONENTS..... | E-1 |
| CONTROL COMPONENTS | |
| RIGHT HAND CONTROL PARTS | F-1 |
| LEFT HAND CONTROL PARTS | F-3 |
| BRAKE COMPONENTS | |
| RIGHT HAND SIDE | G-1 |
| LEFT HAND SIDE..... | G-3 |
| HYDRO COMPONENTS | H-1 |
| FUEL COMPONENTS..... | I-1 |
| WIRE HARNESS SCHEMATIC | |
| F48K19 WIRE HARNESS SCHEMATIC..... | J-1 |
| DECAL LIST..... | K-1 |
| NOTES | L-1 |



WARNING:

THE ENGINE EXHAUST FROM THIS PRODUCT CONTAINS CHEMICALS KNOWN IN THE STATE OF CALIFORNIA TO CAUSE CANCER, BIRTH DEFECTS OR OTHER REPRODUCTIVE HARMS.

IMPORTANT:

A separate Engine Owner's Manual is included with your owner's packet which contains additional engine information that will not be repeated in this manual. You are urged to read it before attempting any operation or repair of the engine. Engine Owner's Manual covers the engine manufactures warranty.

ENCORE WARRANTY

WHAT IS COVERED BY THIS WARRANTY

This warranty extends to the original retail purchaser only and commences on the date of original retail purchase:

1. Residential use: The warranty will be **Three years from the date of purchase** against defects in workmanship and materials for any Encore rider that is used for consumer purpose. Normal residential use means use of product on owners' property only.
2. Commercial use: The warranty will be **One year from the date of purchase and 90 days for rental use** against defects in workmanship and materials for any Encore rider that is used for commercial purpose.
3. If the Purchaser discovers within this warranty period a defect in materials or workmanship:
 - Purchaser must promptly notify an Authorized Encore Dealer and return the mower, including any defective parts, to an Authorized Encore Service Dealer.
 - Encore Mfg. Co. Inc. will determine if material or workmanship is defective and then either repair or replace such parts.
 - Service calls and/or transportation expense of the product to and from the authorized dealer, for warranty work, will be paid by the owner of the product.
3. Encore Mfg. Co., Inc. provides a limited warranty for **One year from the date of purchase** against defects in workmanship and materials for all parts, excluding normal wear items such as batteries, tires, belts and blades.
4. The Deck Shell warranty is **Ten years from the date of purchase** against defects in workmanship and materials for any Encore rider that is used for consumer and commercial use only.
5. **NOTICE:** Cutter housings, electrical components, hydraulic components and electric-clutch must be returned before warranty will be paid.
6. **The engine warranty is covered by its respective manufacturer.** Please refer to the manufacturer's warranty statement in the manufacturer's engine manual that is included in the literature packet. **Engine warranties should be referred to the nearest authorized service outlet of the engine manufacturer.**

Encore Mfg. Co., Inc. reserves the right to change or improve the design of any mower without assuming any obligation to modify any mower previously manufactured.

WHO MUST PERFORM THE WARRANTY SERVICE

All warranty service will be performed by dealers authorized by Encore Mfg., Co., Inc. Service calls and/or transportation expense of the product to and from the authorized dealer, for warranty work, will be paid by the owner of the product. For warranty service you can contact an authorized dealer or contact:

Encore Mfg., Co., Inc.
PO Box 888
Beatrice, Nebraska 68310
1-800-267-4255
www.encoreequipment.com
www.seriousred.com

WHAT IS NOT COVERED BY THIS WARRANTY

Encore Mfg., Co., Inc. does not warranty:

- Repairs made by unauthorized persons.
- Damage caused by use of the Encore equipment for purposes other than those for which it was designed

- Damages caused by disasters such as fire, flood, wind, and lightning.
- Damages caused by neglect, abuse, abnormal use, improper or unreasonable use, accident, negligence or misuse.
- Repairs or replacement resulting from the use of unauthorized parts, accessories or attachments.
- Repairs or replacement as the result of any alterations or modifications, in the determination of Encore, which adversely affects the operation, performance or durability of the equipment.
- Encore unit which has the serial number removed or made illegible.
- Depreciation or damage caused by normal wear, lack of reasonable and proper maintenance or failure to follow the product's owner's manual provided by Encore Mfg. Co., Inc.
- Normal maintenance parts and service including, but not limited to: filters, fuel, lubricants, tune-up parts, belts, blades, blade sharpening, brake or steering adjustments.
- Repairs necessary due to improper fuel, contaminates in the fuel system, or failure to properly prepare the fuel system prior to any period of non-use over three months.

LIMITATION OF REMEDIES

In no case shall Encore Mfg., Co., Inc., be liable for any special, incidental, or consequential damages based upon breach of warranty, breach of contract, negligence, strict liability in tort, or any other legal theory.

Such damages include, but are not limited to

- Loss of profits
- Loss of savings or revenue
- Loss of use of Encore mower or any associated equipment
- Cost of capital
- Cost of any substitute equipment, facilities, services, or downtime
- The claims of third parties including customers, and injury to property
- Some states do not allow the exclusion or limitation of incidental or consequential damages, so the above limitation or exclusion may not apply to you.

OWNER'S RESPONSIBILITY

You must maintain your Encore Product following the maintenance procedures described in your owner's manual. Such routine maintenance, whether performed by a dealer or by you, is at your expense.

This machine, like any other powered equipment, is potentially dangerous unless properly operated. Any operator must be cautious and keep safety in mind at all times. Any operator, prior to using the Encore equipment, should thoroughly familiarize himself with the owner's manual regarding operation and safety of the machine, as well as all safety warnings on the machine itself.

ENCORE MFG. CO., INC. CANNOT BE RESPONSIBLE FOR THE WAY YOU OPERATE, OR THE CONDITIONS IN WHICH YOU OPERATE THE MOWER. USE COMMON SENSE AT ALL TIMES.

WARRANTY REGISTRATION

1. The Warranty registration form **MUST** be completed and forwarded to Encore Mfg., Co., Inc., within fifteen days following date of purchase.
2. The date of purchase constitutes delivery.

Encore Mfg. Co., Inc. does not assume or authorize anyone to assume for them any other obligation.

General Information

Quick Reference Sheet

Engine

19hp Kawasaki electric FH601V-CS26R

Blades

483035 16" blade
483049 16" mulch blade
483050 16" super hi-lift blade

Belts

353139 blade drive belt
353112 pump drive belt

Tires

353126 wheel/tire assy
353148 drive tire (18x9.5x8)
353149 rim w/ valvestem
363311 front caster complete
363260 front tire & tube (4.10/3.50-4)
* * * *
front rim not serviced

Spindles

583106 spindle assy comp.
583111 housing
363350 bearing
583112 shaft
583113 brg. Spacer tube

Transmission

353127 RH EZT transaxle (Hydro-Gear Model # ZC-ACBB-2YLB-1EXA)
353128 LH EZT transaxle (Hydro-Gear Model # ZC-DCBB-2YLC-1EXA)

*** lifetime lubricated transaxles

Throttle 363352

Choke 523037

Muffler 353182

Wire Harness 353132

Pigtail Harness 353180

Clutch 423285

Electrical Components

423027 Ignition Switch
422150 Starter Relay
583423 Time Delay Module
583351 Relay
523034 Park Brake Switch
593041 Neutral Switch
523031 PTO Switch
353048 Seat Switch
523283 Hour Meter

Torque Specs

65 ft-lbs blade bolt
90 ft-lbs nut on top of spindle
50 ft-lbs clutch bolt

Pulleys

483078 spindle pulley
523329 stationary idler pulleys
533114 tensioner pulley-blade drive belt
823351 pump tensioner pulley
353101 pump drive pulley

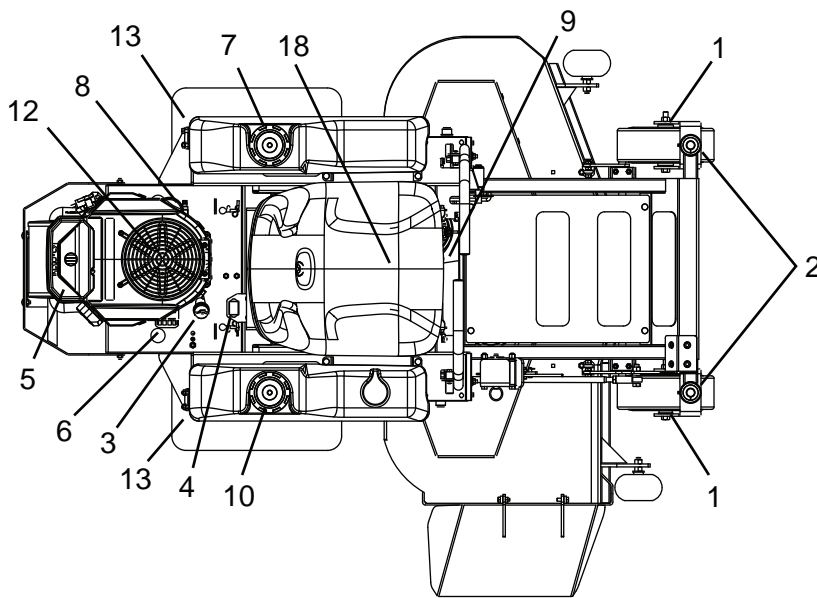
Front Caster Bearings

423200 bearing
423201 bearing retainer

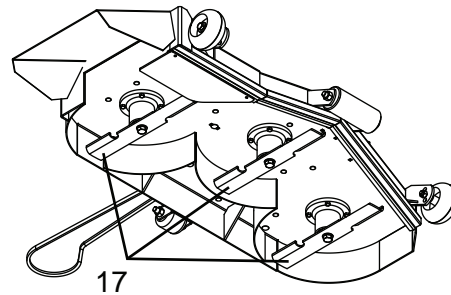
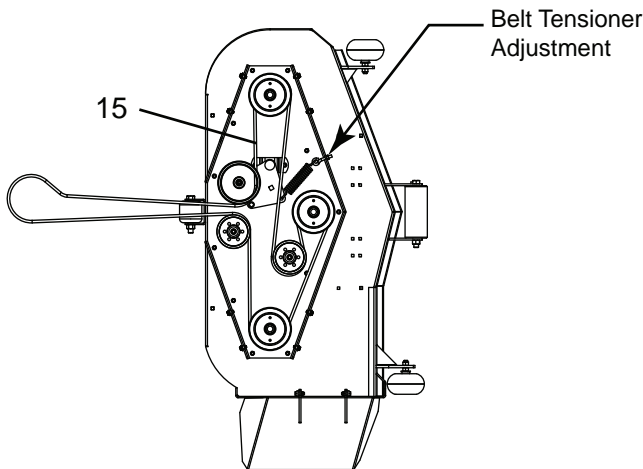
Seat

353098 seat complete w/o tracks
593097 molded arm rest

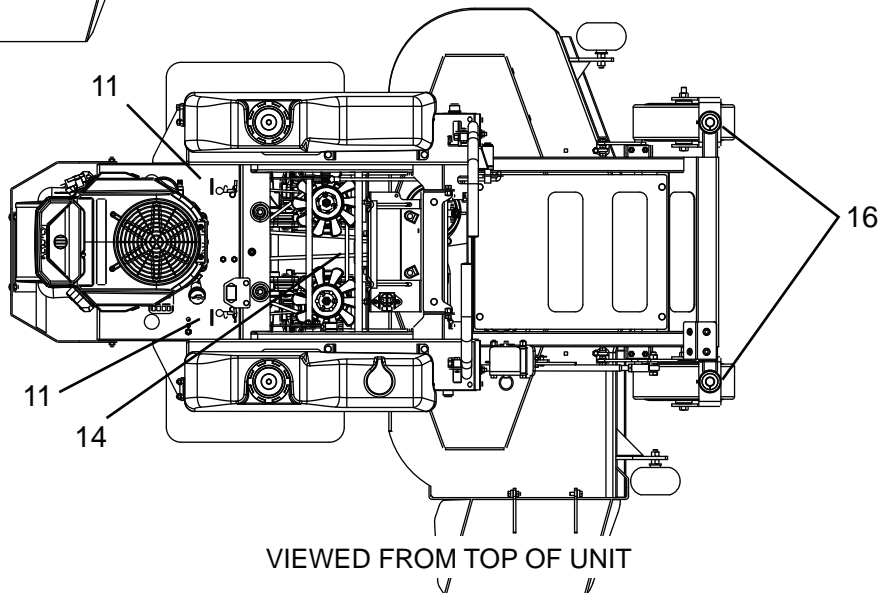
SERVICE LOCATOR CHART



1. Front Caster Wheel Bearings (2)
2. Front Caster Pivot Bearing Zerks (2)
3. Engine Oil Fill & Dipstick
4. Hour Meter
5. Engine Air Filter
6. Engine Oil Filter
7. Fuel Tank
8. Engine Fuel Filter
9. Fuel Shut-off Valve
10. Fuel Tank w/ Cup Holder
11. Hydraulic Bypass
12. Engine Vent Screen
13. Drive Tires
14. Pump Belt (353112)
15. Blade Drive Belt (353139)
16. Front Casters Wheels
17. 16" Blade (483035)
18. Located inside the seat frame under operators seat:
 1. Time delay module
 2. Relays
 3. Fuse Block
 4. Start Relay
 5. Battery

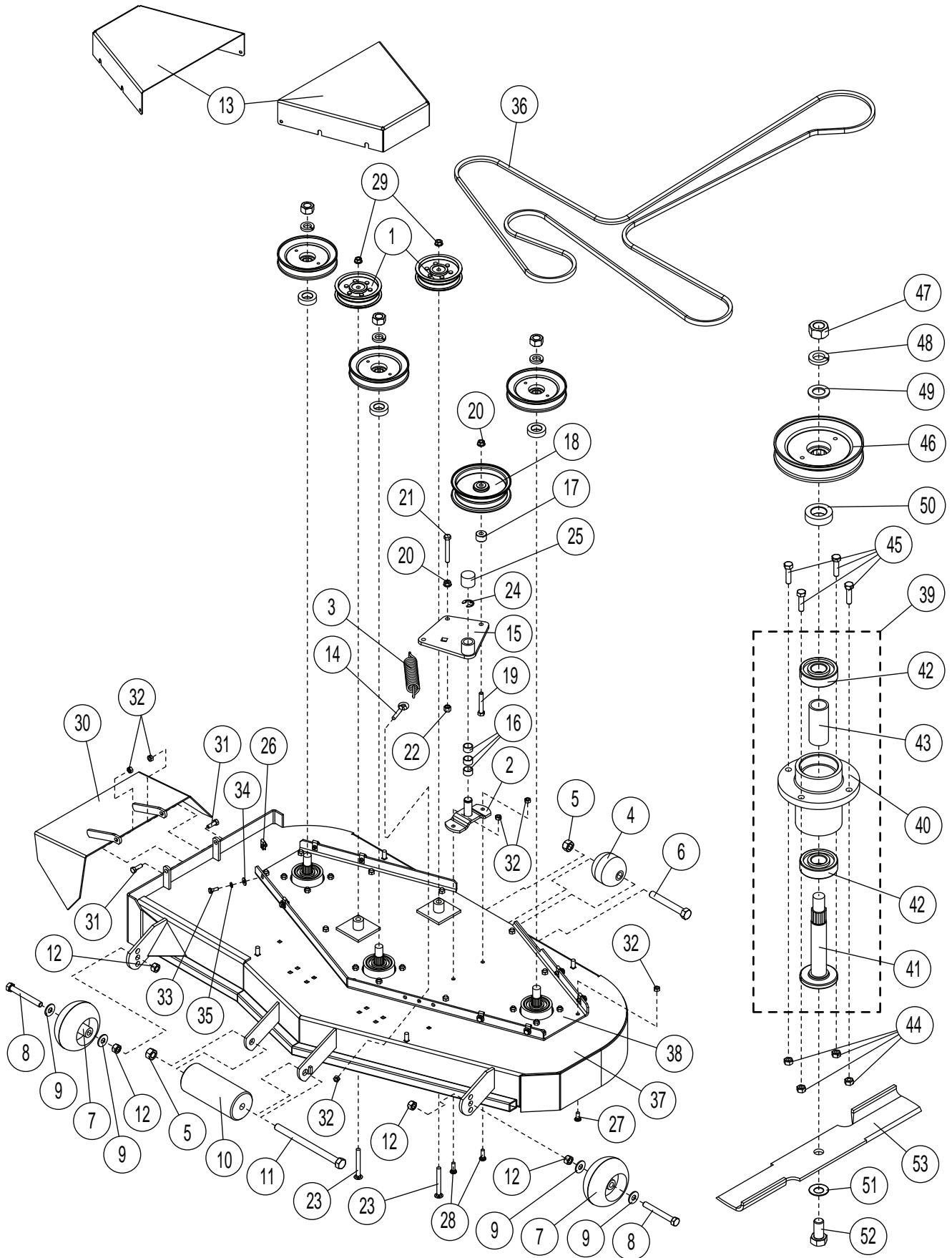


VIEWED FROM UNDER OF DECK



VIEWED FROM TOP OF UNIT

Figure 2





Deck Components

| # | PART NUMBER | DESCRIPTION | QTY. |
|----|-------------|------------------------------|------|
| 1 | 523329 | FLOATING IDLER - FLAT | 2 |
| 2 | 522104 | OFFSET PIVOT | 1 |
| 3 | 523327 | FLOATING IDLER SPRING | 1 |
| 4 | 523084 | REAR DECK ROLLER | 1 |
| 5 | 104261 | 5/8-11 HEX NUT | 2 |
| 6 | 100346 | 5/8-11 X 4-1/2 HHCS | 1 |
| 7 | 423023 | DECK ROLLER | 2 |
| 8 | 100335 | 1/2-13 X 4 HHCS | 2 |
| 9 | 105264 | 1/2 STD FLATWASHER | 4 |
| 10 | 603023 | FRONT ANT-SCALP ROLLER | 1 |
| 11 | 100351 | 5/8-11 X 8-1/2 HHCS | 1 |
| 12 | 104509 | 1/2-13 HEX NUT | 4 |
| 13 | 353138 | 48 BELT SHIELD | 2 |
| 14 | 363080 | RIGHT EYEBOLT | 1 |
| 15 | 352045 | IDLER ARM W/BUSHINGS | 1 |
| 16 | 363089 | BRONZE BUSHINGS | 3 |
| 17 | 823309 | FRAME SPACER | 1 |
| 18 | 533114 | ENGAGEMENT IDLER | 1 |
| 19 | 100297 | 3/8-16 X 2-1/4 HHCS | 1 |
| 20 | 109007 | 3/8 - 16 WHIZ LOCK NUT | 2 |
| 21 | 100299 | 3/8-16 X 2-3/4 HHCS | 1 |
| 22 | 104257 | 3/8-16 NYLOC NUT | 1 |
| 23 | 107506 | 3/8-16 X 3-1/4 CARRIAGE BOLT | 2 |
| 24 | 108509 | 3/4 E-RING | 1 |
| 25 | 103009 | CAPLUG 1-1/4 | 1 |
| 26 | 109015 | 1/4 - 20 NUT CLIP | 8 |
| 27 | 107503 | 5/16 - 18 X 3/4 CARR. HEAD | 11 |
| 28 | 107509 | 5/16-18 X 1 CARR. BOLT | 10 |
| 29 | 109007 | 3/8 - 16 WHIZ LOCK NUT | 2 |
| 30 | 582025 | GRASS DEFLECTOR WLDMNT | 1 |
| 31 | 100273 | 5/16-18 X 1 HHCS | 2 |
| 32 | 104256 | 5/16-18 NYLOC NUT | 36 |
| 33 | 100252 | 1/4-20 X 3/4 HHCS | 8 |
| 34 | 105256 | 1/4 STD FLAT WASHER | 10 |
| 35 | 105004 | 1/4 STD. LOCKWASHER | 8 |
| 36 | 353139 | 48 DECK BELT | 1 |
| 37 | 352038 | 48 DECK WELDMENT | 1 |
| 38 | 352040 | 48 DECK PLATE | 1 |
| 39 | 583106 | BLADE SPINDLE ASSY | 3 |



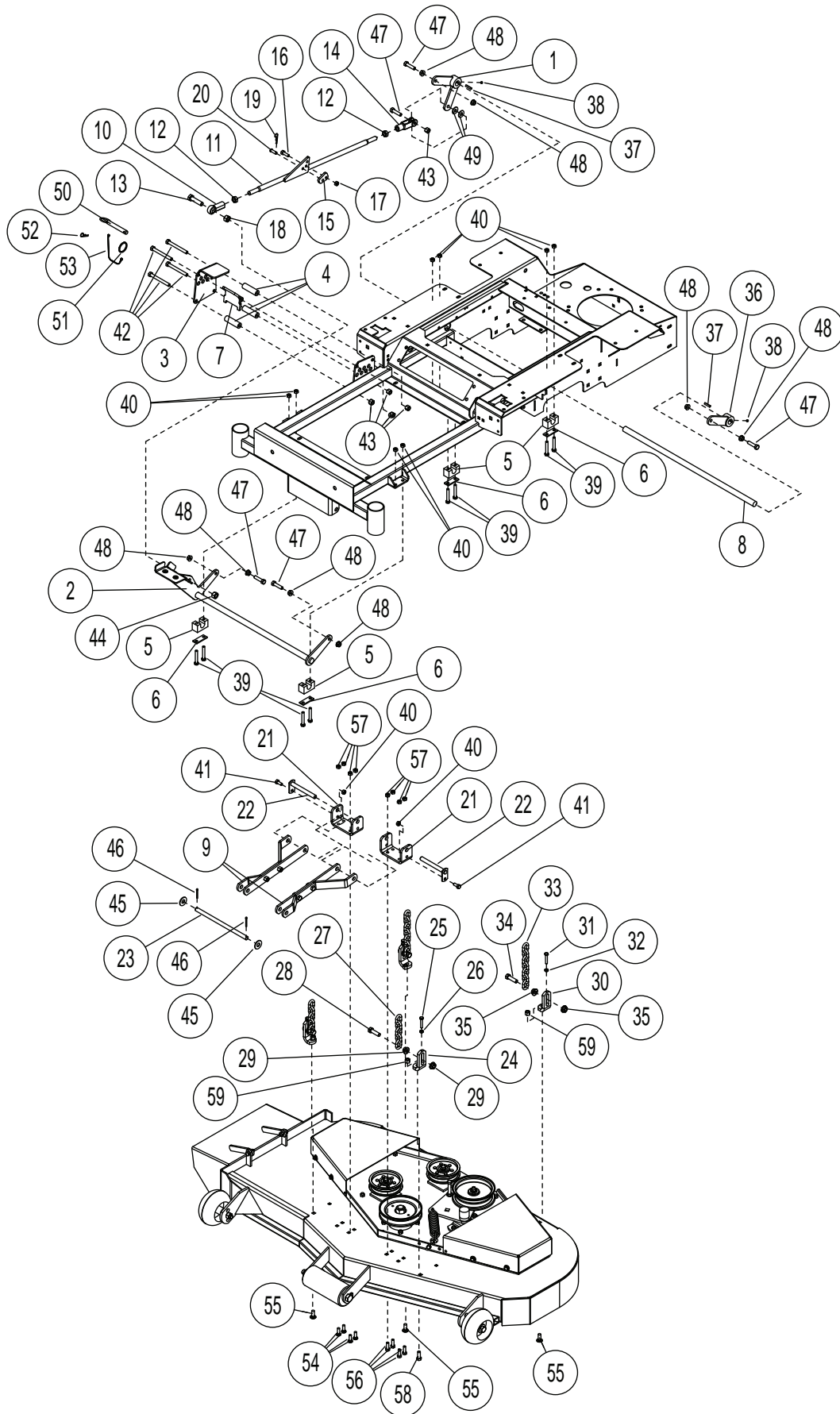
Deck Components

| # | PART NUMBER | DESCRIPTION | QTY. |
|----|-------------|-------------------------|------|
| 40 | 583111 | SPINDLE HOUSING | 3 |
| 41 | 583112 | SPINDLE SHAFT | 3 |
| 42 | 363350 | BEARING - BLADE SPINDLE | 6 |
| 43 | 583113 | BEARING SPACER TUBE | 3 |
| 44 | 104256 | 5/16-18 NYLOC NUT | 12 |
| 45 | 100274 | 5/16-18 X 1-1/4 HHCS | 12 |
| 46 | 483078 | 5.75 HEX PULLEY | 3 |
| 47 | 104511 | 3/4-16 HEX NUT | 3 |
| 48 | 105010 | 3/4 LOCK WASHER | 3 |
| 49 | 105269 | 3/4 SAE FLAT WASHER | 3 |
| 50 | 583110 | PULLEY SPACER | 3 |
| 51 | 583108 | 5/8 DISC SPRING WASHER | 3 |
| 52 | 100355 | 5/8-11 X 1-1/4 HHCS | 3 |
| 53 | 483035 | 16" BLADE | 3 |

NOTE:



Deck Lift Components





Deck Lift Components

| # | PART NUMBER | DESCRIPTION | QTY. |
|----|-------------|-------------------------------|------|
| 1 | 352010 | REAR LIFT BELLCRANK, RT | 1 |
| 2 | 352014 | FRONT LIFT SHAFT | 1 |
| 3 | 353043 | HEIGHT PLATE, OUTER | 1 |
| 4 | 353040 | HEIGHT PLATE SPACER | 3 |
| 5 | 353028 | PIVOT BLOCK | 4 |
| 6 | 353047 | PIVOT BLOCK PLATE | 4 |
| 7 | 352018 | TRANSPORT LATCH | 1 |
| 8 | 533010 | LIFT SHAFT- FRONT | 1 |
| 9 | ----- | STRUT ASM. (ORDER ITEM 60,61) | 2 |
| 10 | 533084 | ROD END 1/2" | 1 |
| 11 | 352028 | CONNECTING ROD | 1 |
| 12 | 104755 | 1/2-20 HEX JAM NUT | 2 |
| 13 | 100329 | 1/2-13 X 2 HHCS | 1 |
| 14 | 533083 | CLEVIS END 1/2" | 1 |
| 15 | 353038 | HEIGHT ADJUST TAB | 1 |
| 16 | 100273 | 5/16-18 X 1 HHCS | 1 |
| 17 | 104256 | 5/16-18 NYLOC NUT | 1 |
| 18 | 104509 | 1/2-13 HEX NUT | 1 |
| 19 | 363165 | #3 HAIRPIN COTTOR | 1 |
| 20 | 363144 | CLEVIS PIN 5/16 | 1 |
| 21 | 353045 | STRUT MOUNT | 2 |
| 22 | 352032 | REAR STRUT PIVOT PIN | 2 |
| 23 | 353110 | FRONT STRUT PIN | 1 |
| 24 | 533112 | ADJUSTABLE CHAIN MT. | 2 |
| 25 | 100006 | 1/4-20 X 1.5 HH TAP BOLT | 2 |
| 26 | 104758 | 1/4-20 HEX JAM NUT | 2 |
| 27 | 423359 | FRONT CHAIN | 2 |
| 28 | 100311 | 7/16-14 X 1-1/2 HHCS | 2 |
| 29 | 109027 | 7/16-14 WHIZLOCK NUT | 4 |
| 30 | 533112 | ADJUSTABLE CHAIN MT. | 2 |
| 31 | 100006 | 1/4-20 X 1.5 HH TAP BOLT | 2 |
| 32 | 104758 | 1/4-20 HEX JAM NUT | 2 |
| 33 | 423360 | REAR CHAIN | 2 |
| 34 | 100311 | 7/16-14 X 1-1/2 HHCS | 2 |
| 35 | 109027 | 7/16-14 WHIZLOCK NUT | 4 |
| 36 | 352012 | REAR LIFT BELLCRANK, LT | 1 |
| 37 | 107255 | 3/16 X 3/16 X 1 MACHINE KEY | 2 |
| 38 | 103292 | 1/4-28 SETSCREW | 2 |
| 39 | 100277 | 5/16-18 X 2 HHCS | 8 |



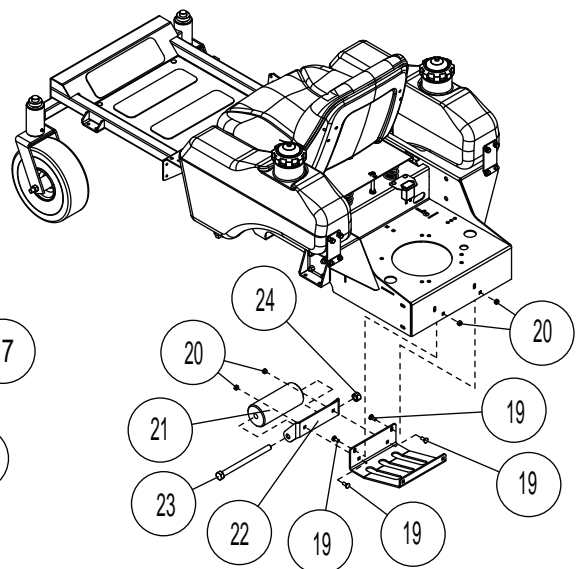
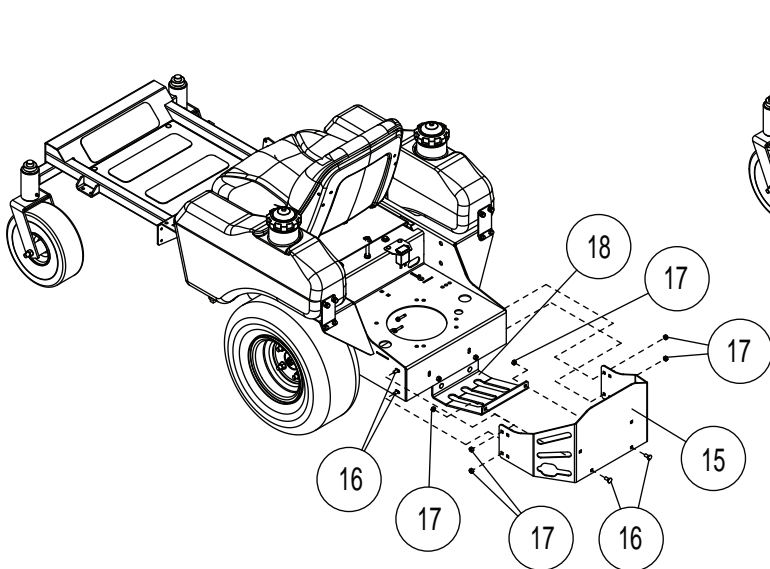
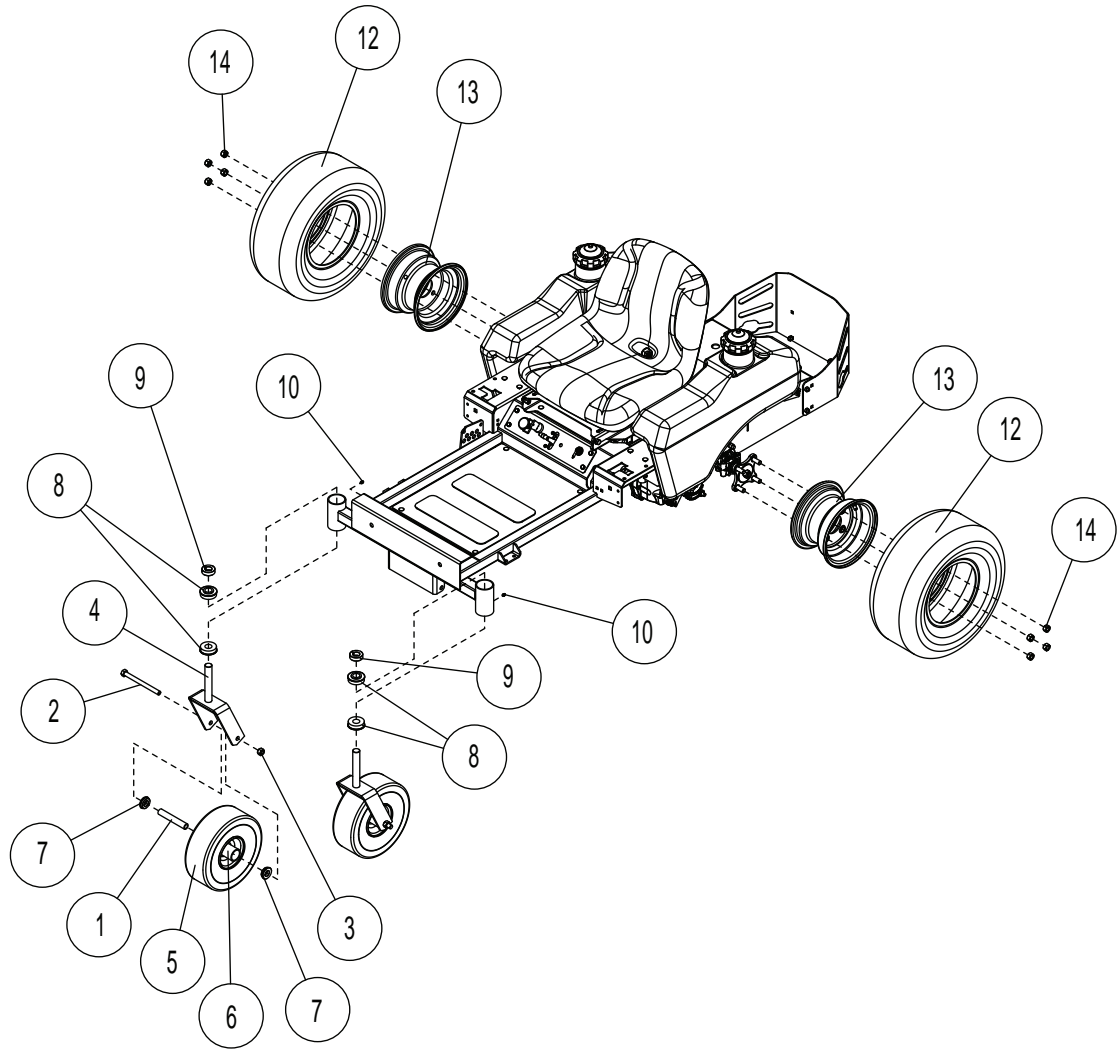
Deck Lift Components

| # | PART NUMBER | DESCRIPTION | QTY. |
|----|-------------|----------------------------|------|
| 40 | 104256 | 5/16-18 NYLOC NUT | 10 |
| 41 | 100271 | 5/16-18 X 3/4 HHCS | 2 |
| 42 | 100302 | 3/8-16 X 3-1/2 HHCS | 4 |
| 43 | 104257 | 3/8-16 NYLOC NUT | 5 |
| 44 | 104259 | 1/2-13 NYLOCK NUT | 1 |
| 45 | 105264 | 1/2 STD FLATWASHER | 2 |
| 46 | 106763 | 1/2 X 1 1/4 COTTER PIN | 2 |
| 47 | 100294 | 3/8-16 X 1-1/2 HHCS | 5 |
| 48 | 109007 | 3/8 - 16 WHIZ LOCK NUT | 8 |
| 49 | 105260 | 3/8 STD FLAT WASHER | 2 |
| 50 | 353153 | 1/2 X 3 RING PIN | 1 |
| 51 | 109002 | 1-1/2 O.D. SPLIT RING | 1 |
| 52 | 153025 | # 4 HAIRPIN COTTER - PLTD. | 1 |
| 53 | 123012 | SAFETY CHAIN | 1 |
| 54 | 107509 | 5/16-18 X 1 CARR. BOLT | 4 |
| 55 | 107526 | 1/4-20 X 3/4" CARR BOLT | 3 |
| 56 | 100273 | 5/16-18 X 1 HHCS | 4 |
| 57 | 104256 | 5/16-18 NYLOC NUT | 8 |
| 58 | 100292 | 3/8-16 X 1 HHCS | 1 |
| 59 | 104257 | 3/8-16 NYLOC NUT | 4 |
| 60 | 353050 | STRUT BENT | 2 |
| 61 | 353052 | STRUT STRAIGHT | 2 |

NOTE:

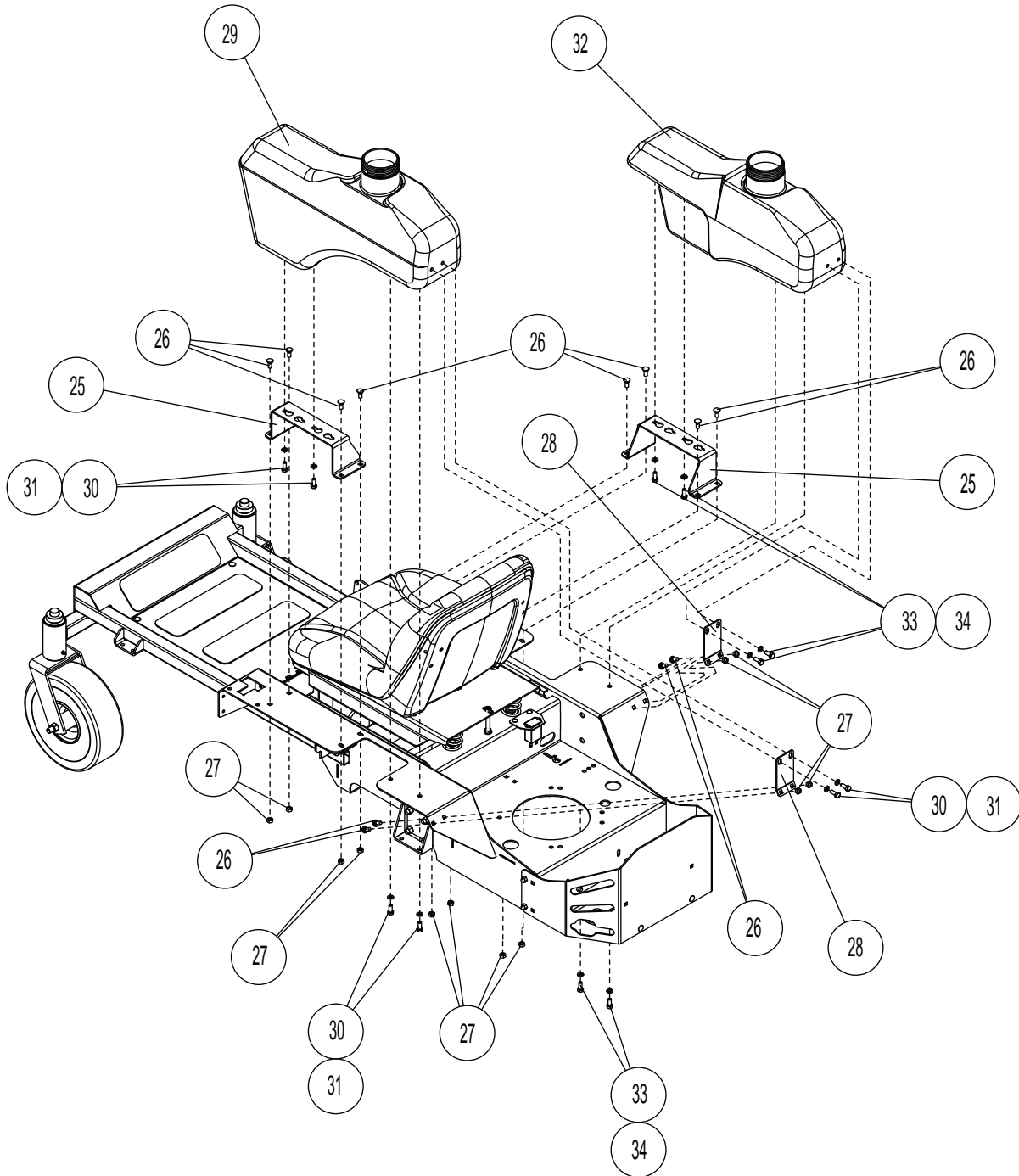


Frame Components



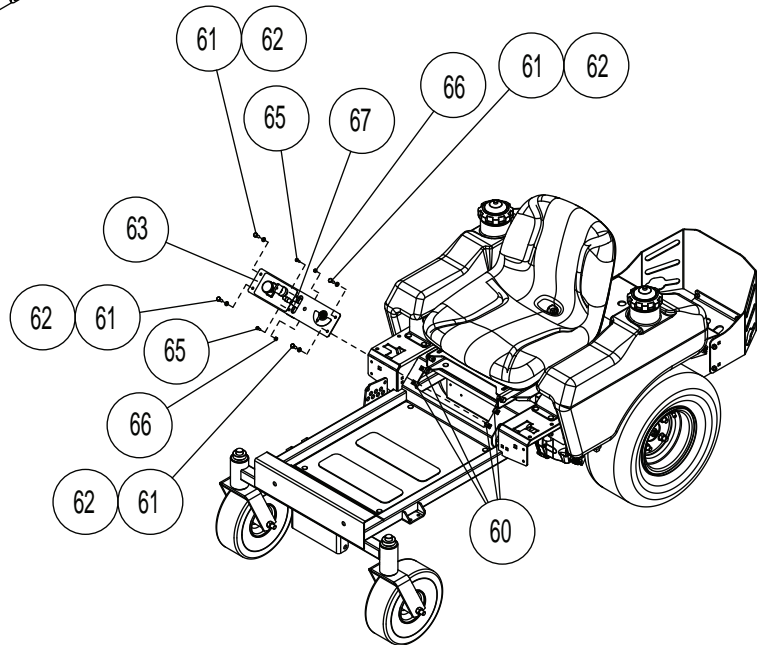
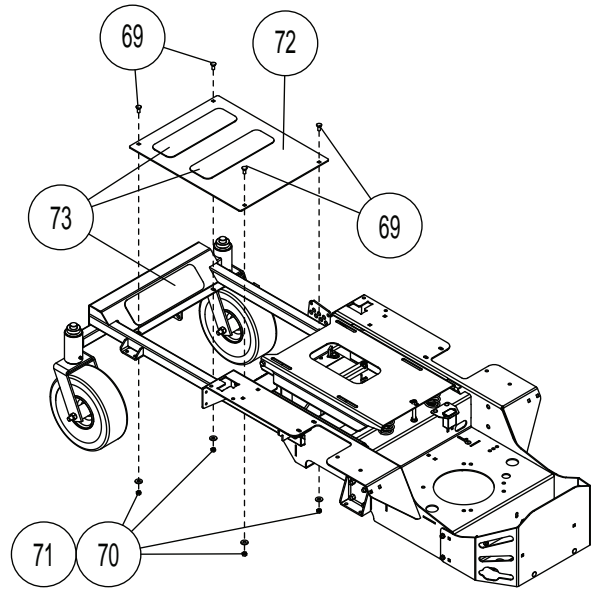
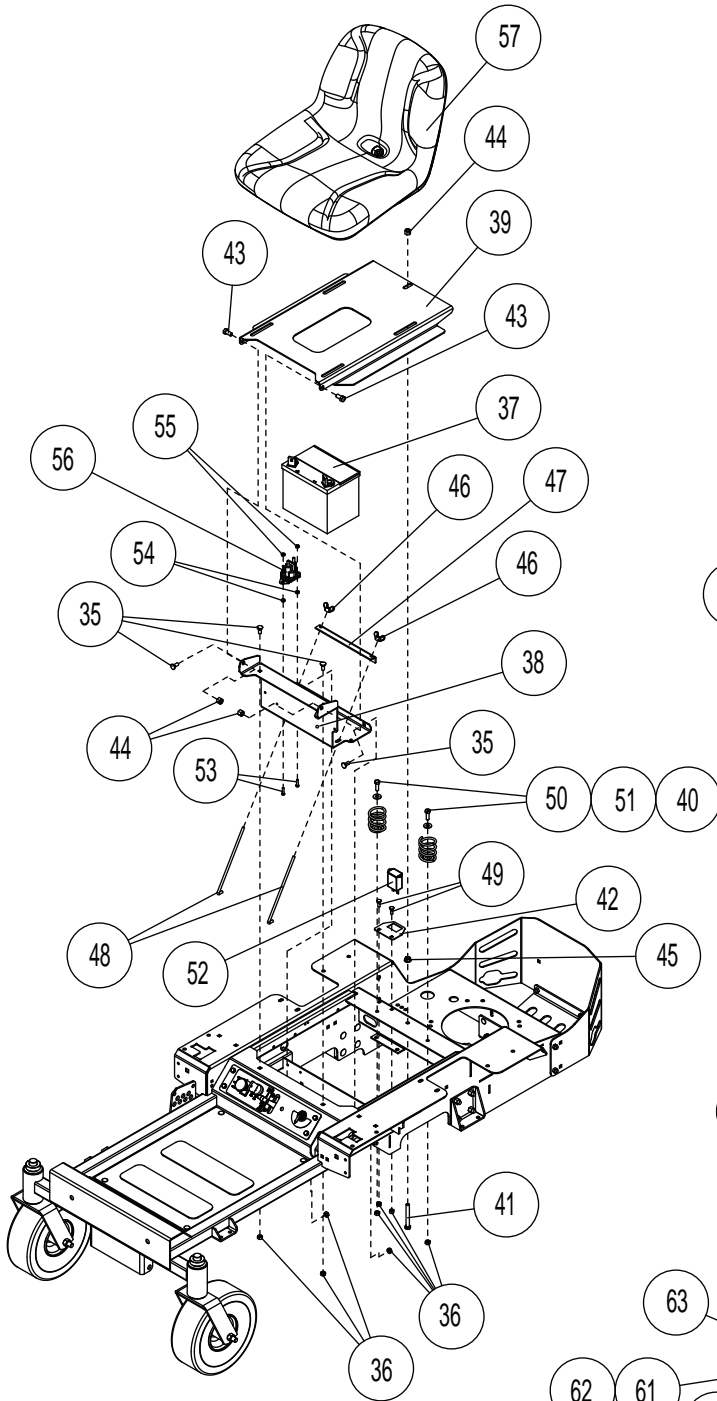


Frame Components





Frame Components





Frame Components

| # | PART NUMBER | DESCRIPTION | QTY. |
|---|------------------|-------------------------------------|------|
| 1 | 363307 | AXLE TUBE | 2 |
| 2 | 100339 | 1/2-13 X 6 HHCS | 2 |
| 3 | 104259 | 1/2-13 NYLOCK NUT | 2 |
| 4 | 422016 | FRONT CASTER YOKE WELDMENT | 2 |
| 5 | 363260 | FRONT TIRE W/TUBE (4.10 X 3.50 X 4) | 2 |
| 6 | 363311 | FRONT CASTER COMPLETE | 2 |
| -- | ----- | FRONT RIM NOT SERVICED | 2 |
| 7 | 423201 | BEARING RETAINER | 2 |
| 8 | 423109 | 7/8 FLANGE BEARING | 4 |
| 9 | 423071 | 7/8 CLAMP COLLAR | 2 |
| 10 | 111001 | 1/8 NPT STRAIGHT | 2 |
| 11 | 353126 | 18 X 9.50 - 8 TIRE ASM. (NOT SHOWN) | 2 |
| 12 | 353148 | DRIVE TIRE (18 X 9.5 X 8) | 2 |
| 13 | 353149 | RIM W/VALVESTEM | 2 |
| 14 | 103023 | 1/2-20 LUG NUT | 8 |
| 15 | 353075 | ENGINE GUARD | 1 |
| 16 | 107503 | 5/16 - 18 X 3/4 CARR. HEAD | 6 |
| 17 | 104256 | 5/16-18 NYLOC NUT | 6 |
| 18 | 353100 | SKID PLATE | 1 |
| 19 | 107503 | 5/16 - 18 X 3/4 CARR. HEAD | 6 |
| 20 | 104256 | 5/16-18 NYLOC NUT | 6 |
| 21 | 603023 | FRONT ANT-SCALP ROLLER | 1 |
| 22 | 353145 | WHEELIE BAR | 1 |
| 23 | 100351 | 5/8-11 X 8-1/2 HHCS | 1 |
| 24 | 104261 | 5/8-11 HEX NUT | 1 |
| <i>Items 1 thru 24 shown on page D-1</i> | | | |
| 25 | 353067 | TANK SUPPORT | 2 |
| 26 | 107503 | 5/16 - 18 X 3/4 CARR. HEAD | 18 |
| 27 | 104256 | 5/16-18 NYLOC NUT | 17 |
| 28 | 353085 | REAR TANK MOUNT | 2 |
| 29 | SEE FUEL SECTION | LH FUEL TANK | 1 |
| 30 | 100271 | 5/16-18 X 3/4 HHCS | 1 |
| 31 | 105005 | 5/16 LOCK WASHER | 1 |
| 32 | SEE FUEL SECTION | RH FUEL TANK | 1 |
| 33 | 100271 | 5/16-18 X 3/4 HHCS | 1 |
| 34 | 105005 | 5/16 LOCK WASHER | 1 |
| <i>Items 25 thru 34 shown on page D-2</i> | | | |
| 35 | 107503 | 5/16 - 18 X 3/4 CARR. HEAD | 22 |
| 36 | 104256 | 5/16-18 NYLOC NUT | 17 |
| 37 | 423142 | BATTERY | 1 |
| 38 | 353011 | BATTERY TRAY | 1 |
| 39 | 353015 | SEAT PAN | 1 |

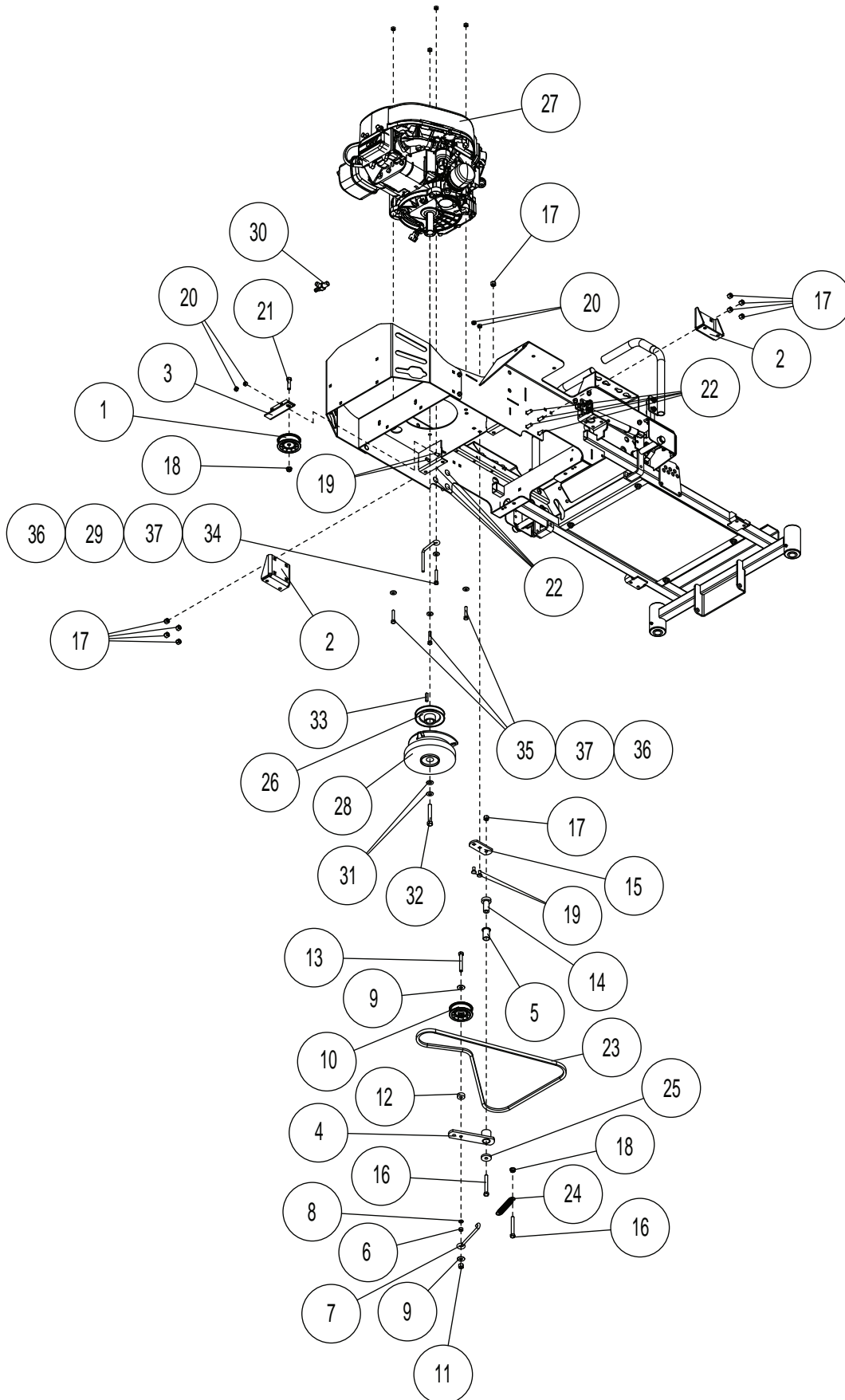


Frame Components

| # | PART NUMBER | DESCRIPTION | QTY. |
|----|-------------|-----------------------------|------|
| 40 | 523278 | SEAT SPRING | 2 |
| 41 | 100030 | 3/8-16 X 3 HHTB | 1 |
| 42 | 353083 | HOUR METER MOUNT | 1 |
| 43 | 100291 | 3/8-16 X 3/4 HHCS | 2 |
| 44 | 104257 | 3/8-16 NYLOC NUT | 2 |
| 45 | 109007 | 3/8 - 16 WHIZ LOCK NUT | 1 |
| 46 | 109012 | 1/4 WING NUT | 2 |
| 47 | 423011 | HOLD DOWN ANGLE | 1 |
| 48 | 423172 | BATTERY HOLD DOWN | 2 |
| 49 | 107502 | 1/4-20 X 3/4 CARR. BOLT | 2 |
| 50 | 100273 | 5/16-18 X 1 HHCS | 2 |
| 51 | 105258 | 5/16 STD FLAT WASHER | 2 |
| 52 | 523283 | HOUR METER | 1 |
| 53 | 109009 | #10-24 X .75 HHS | 2 |
| 54 | 109006 | #10 WHIZLOCK NUT | 2 |
| 55 | 104252 | #10-24 NYLOC NUT | 2 |
| 56 | 422150 | STARTER RELAY - WP | 1 |
| 57 | 353098 | SEAT COMPLETE W/O TRACKS | 1 |
| 58 | 593097 | MOLDED ARM REST (NOT SHOWN) | - |
| 59 | 353048 | SEAT SWITCH (NOT SHOWN) | 1 |
| 60 | 109015 | 1/4 - 20 NUT CLIP | 4 |
| 61 | 100252 | 1/4-20 X 3/4 HHCS | 4 |
| 62 | 105004 | 1/4 STD. LOCKWASHER | 4 |
| 63 | 353177 | CONSOLE PLATE W/CHOKE | 1 |
| 64 | 523031 | PTO SWITCH (NOT SHOWN) | 1 |
| 65 | 101039 | #10-24 X 5/8 PAN HD. SCREW | 2 |
| 66 | 104252 | #10-24 NYLOC NUT | 2 |
| 67 | 363352 | THROTTLE CONTROL CONSOLE | 1 |
| 68 | 423027 | IGNITION SWITCH (NOT SHOWN) | 1 |
| 69 | 107503 | 5/16 - 18 X 3/4 CARR. HEAD | 22 |
| 70 | 104256 | 5/16-18 NYLOC NUT | 17 |
| 71 | 105258 | 5/16 STD FLAT WASHER | 2 |
| 72 | 353079 | FLOOR PAN | 1 |
| 73 | 423302 | Z-STEP TREAD | 3 |

Items 35 thru 73 shown on page D-3

NOTE:





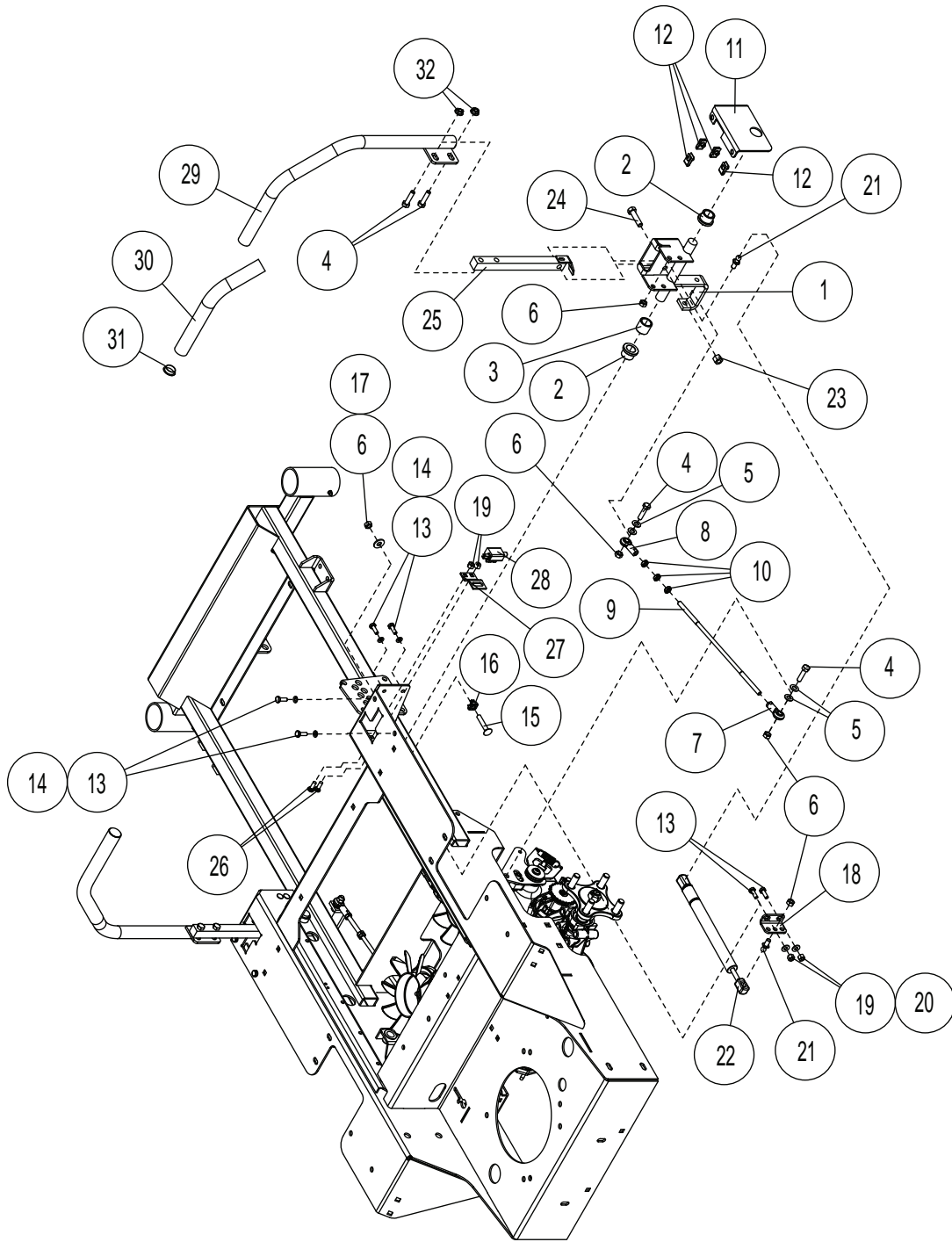
Drive Components

| # | PART NUMBER | DESCRIPTION | QTY. |
|----|-------------|-------------------------------------|------|
| 1 | 823351 | PUMP DRIVE IDLER | 1 |
| 2 | 352026 | AXLE SUPPORT | 2 |
| 3 | 353087 | IDLER MOUNT | 1 |
| 4 | 422025 | TENSIONER W/BUSHING | 1 |
| 5 | 523111 | 3/4 PLASTIC BUSHING | 1 |
| 6 | 363174 | EYE BOLT SPACER | 1 |
| 7 | 423122 | PUMP TENSION ROD | 1 |
| 8 | 105005 | 3/8 LOCK WASHER | 1 |
| 9 | 105260 | 3/8 STD FLAT WASHER | 2 |
| 10 | 823351 | PUMP DRIVE IDLER | 1 |
| 11 | 104257 | 3/8-16 NYLOC NUT | 1 |
| 12 | 483017 | RH IDLER SPACER | 1 |
| 13 | 100299 | 3/8-16 X 2-3/4 HHCS | 1 |
| 14 | 423175 | IDLER PIVOT | 1 |
| 15 | 353089 | PUMP IDLER MOUNT | 1 |
| 16 | 100300 | 3/8-16 X 3 HHCS | 2 |
| 17 | 104257 | 3/8-16 NYLOC NUT | 10 |
| 18 | 109007 | 3/8 - 16 WHIZ LOCK NUT | 2 |
| 19 | 107503 | 5/16 - 18 X 3/4 CARR. HEAD | 4 |
| 20 | 104256 | 5/16-18 NYLOC NUT | 4 |
| 21 | 100294 | 3/8-16 X 1-1/2 HHCS | 1 |
| 22 | 107526 | 1/4-20 X 3/4" CARR BOLT | 8 |
| 23 | 353112 | PUMP BELT | 1 |
| 24 | 553007 | IDLER SPRING | 1 |
| 25 | 373089 | RETAINING WASHER | 1 |
| 26 | 353101 | PULLEY | 1 |
| 27 | ----- | 19HP KAWASAKI ELECTRIC FH601V-CS26R | 1 |
| 28 | 423285 | CLUTCH | 1 |
| 29 | 373070 | BELT GUIDE - LONG | 1 |
| 30 | 423406 | OIL DRAIN VALVE 3/8 NPT | 1 |
| 31 | 423069 | 7/16 DISC SPRING WASHER | 2 |
| 32 | 100536 | 5/8-11 X 7 HHCS | 1 |
| 33 | 107260 | 1/4 X 1/4 X 1.25 | 1 |
| 34 | 100277 | 5/16-18 X 2 HHCS | 1 |
| 35 | 100276 | 5/16-18 X 1-3/4 HHCS | 3 |
| 36 | 104256 | 5/16-18 NYLOC NUT | 6 |
| 37 | 363226 | 5/16 DISC SPRING WASHER | 4 |

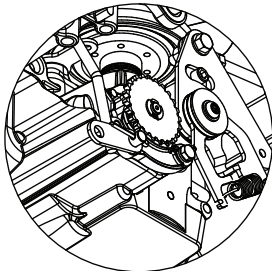
NOTE:



Control Components - Right Hand

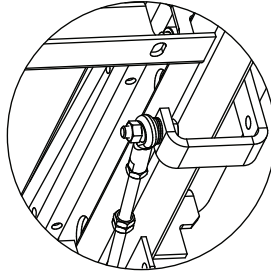


ITEM 7



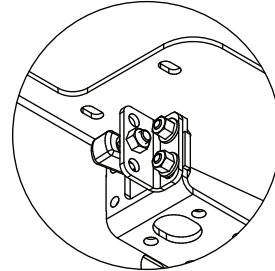
MOUNTING VIEW

ITEM 8



MOUNTING VIEW

ITEM 18



MOUNTING VIEW



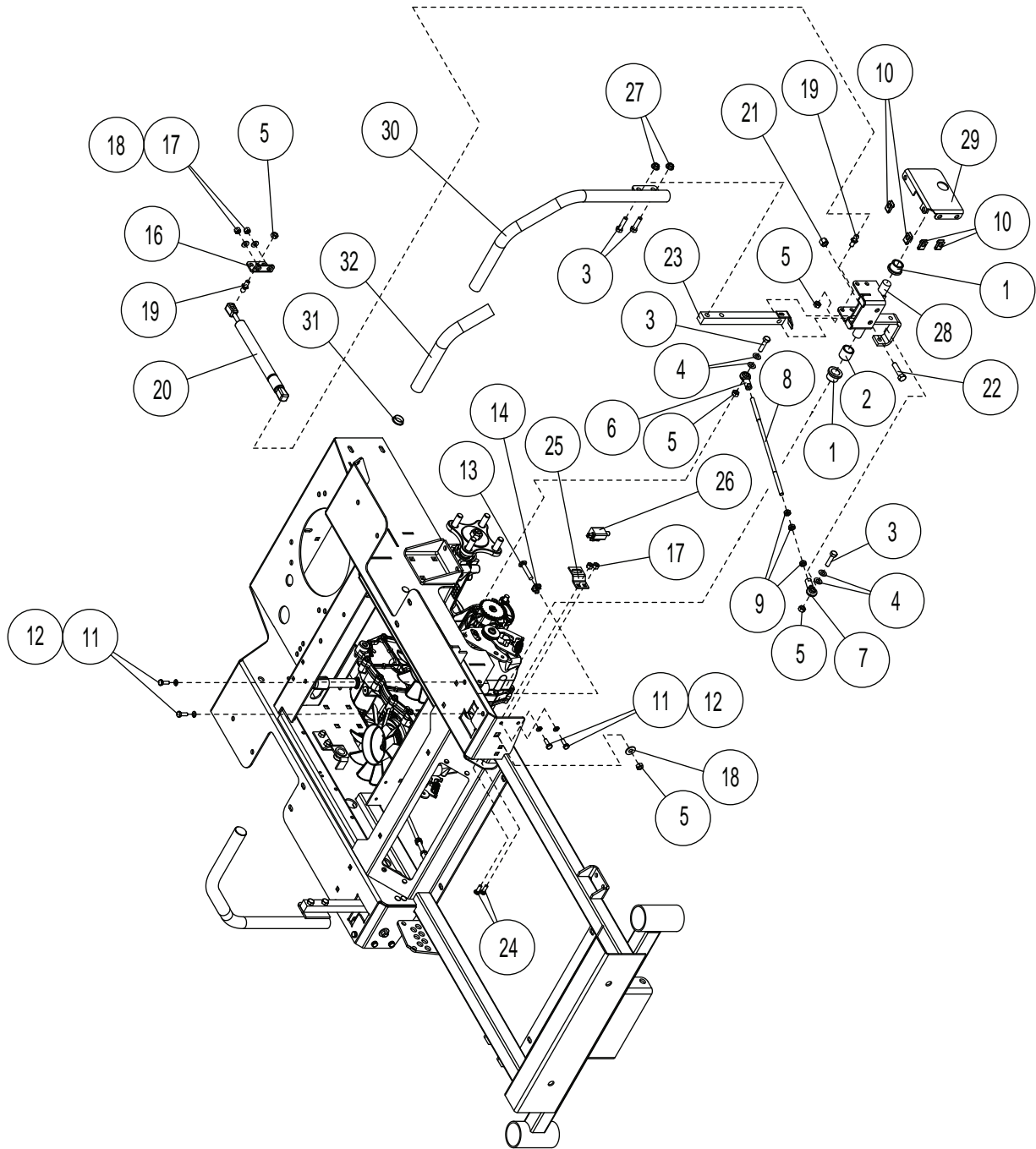
Control Components - Right Hand

| # | PART NUMBER | DESCRIPTION | QTY. |
|----|-------------|--------------------------------|------|
| 1 | 352004 | STEERING CONTROL RT | 1 |
| 2 | 353018 | 3/4" FLANGE BEARING | 2 |
| 3 | 353024 | DRIVE CONTROL SPACER | 1 |
| 4 | 100274 | 5/16-18 X 1-1/4 HHCS | 8 |
| 5 | 105257 | 5/16 SAE FLATWASHER | 8 |
| 6 | 104256 | 5/16-18 NYLOC NUT | 13 |
| 7 | 623095 | 5/16 LH ROD END (F) | 2 |
| 8 | 453081 | .312 ROD END (F) | 2 |
| 9 | 353093 | DRIVE LINKAGE | 2 |
| 10 | 104752 | 5/16-24 JAM NUT | 6 |
| 11 | 353061 | RT CONTROL BRACKET | 1 |
| 12 | 109015 | 1/4 - 20 NUT CLIP | 4 |
| 13 | 100252 | 1/4-20 X 3/4 HHCS | 6 |
| 14 | 105004 | 1/4 STD. LOCKWASHER | 4 |
| 15 | 107520 | 5/16-18 X 1-3/4 TAP CARR. BOLT | 1 |
| 16 | 353151 | 5/16-18 SQ. CAGE NUT | 1 |
| 17 | 105258 | 5/16 STD FLAT WASHER | 1 |
| 18 | 353143 | DAMPENER MOUNT | 1 |
| 19 | 104255 | 1/4-20 NYLOC NUT | 6 |
| 20 | 105255 | 1/4" SAE WASHER | 2 |
| 21 | 823221 | 10MM BALL STUD | 2 |
| 22 | 583415 | DAMPENER / CONTROL | 1 |
| 23 | 104257 | 3/8-16 NYLOC NUT | 1 |
| 24 | 100294 | 3/8-16 X 1-1/2 HHCS | 1 |
| 25 | 352008 | HANDLE MOUNT | 1 |
| 26 | 107502 | 1/4-20 X 3/4 CARR. BOLT | 2 |
| 27 | 353021 | SWITCH BRACKET | 1 |
| 28 | 593041 | NEUTRAL SWITCH | 1 |
| 29 | 592041 | HANDLE RH W / GRIP | 1 |
| 30 | 523032 | HANDLE GRIP | 1 |
| 31 | 523033 | HANDLE PLUG | 1 |
| 32 | 109001 | 5/16-18 WHIZLOCK NUT | 2 |

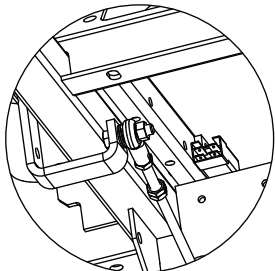
NOTE:



Control Components - Left Hand

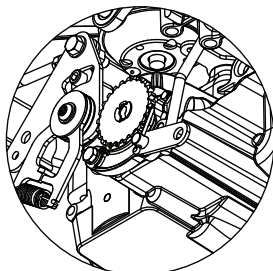


ITEM 7



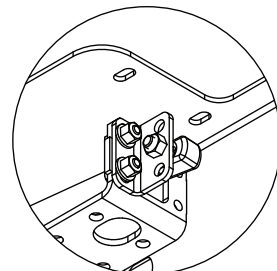
MOUNTING VIEW

ITEM 6



MOUNTING VIEW

ITEM 16



MOUNTING VIEW



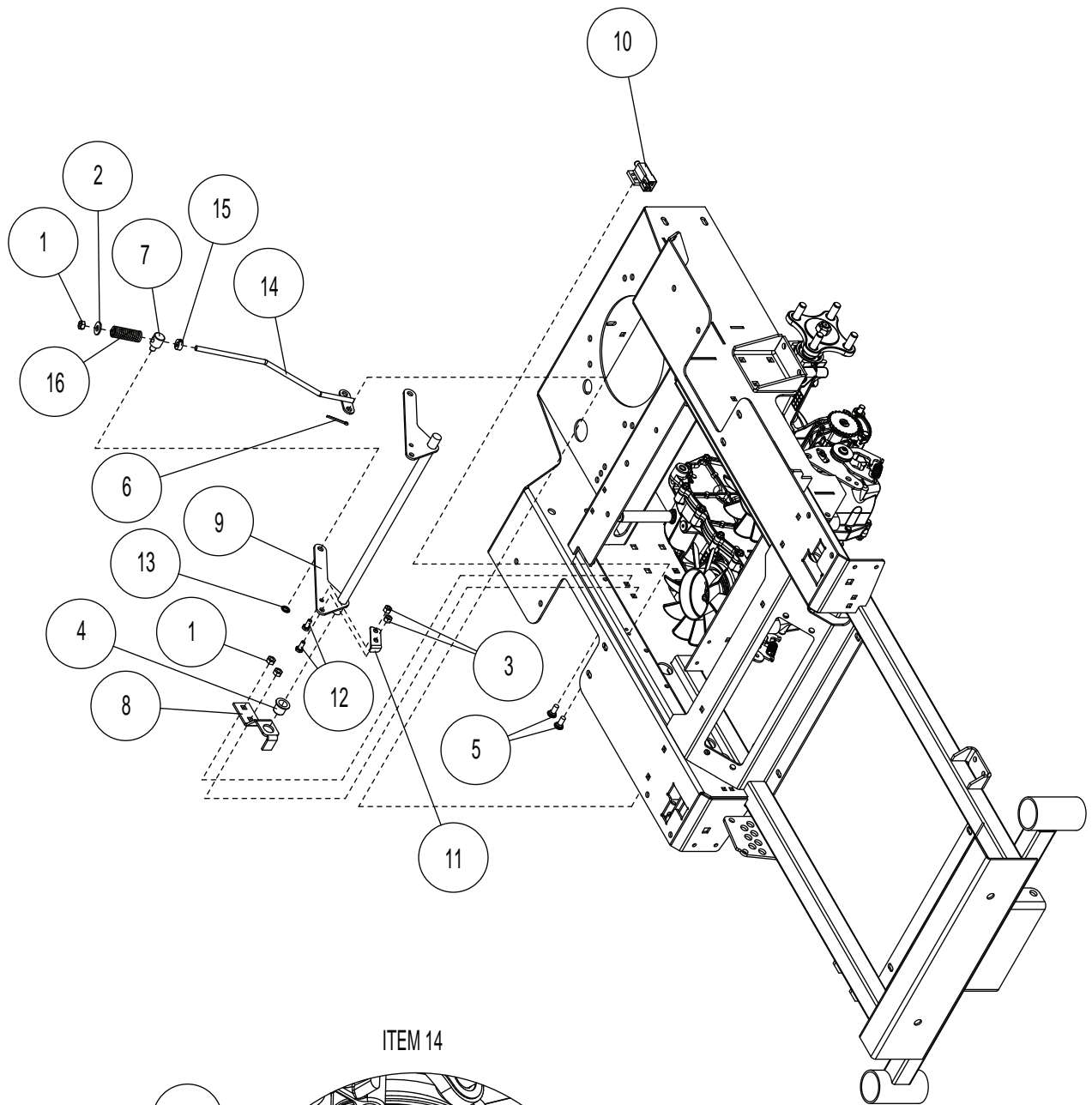
Control Components - Left Hand

| # | PART NUMBER | DESCRIPTION | QTY. |
|----|-------------|--------------------------------|------|
| 1 | 353018 | 3/4" FLANGE BEARING | 2 |
| 2 | 353024 | DRIVE CONTROL SPACER | 1 |
| 3 | 100274 | 5/16-18 X 1-1/4 HHCS | 8 |
| 4 | 105257 | 5/16 SAE FLATWASHER | 8 |
| 5 | 104256 | 5/16-18 NYLOC NUT | 11 |
| 6 | 623095 | 5/16 LH ROD END (F) | 2 |
| 7 | 453081 | .312 ROD END (F) | 2 |
| 8 | 353093 | DRIVE LINKAGE | 2 |
| 9 | 104752 | 5/16-24 JAM NUT | 6 |
| 10 | 109015 | 1/4 - 20 NUT CLIP | 4 |
| 11 | 100252 | 1/4-20 X 3/4 HHCS | 6 |
| 12 | 105004 | 1/4 STD. LOCKWASHER | 4 |
| 13 | 107520 | 5/16-18 X 1-3/4 TAP CARR. BOLT | 1 |
| 14 | 353151 | 5/16-18 SQ. CAGE NUT | 1 |
| 15 | 105258 | 5/16 STD FLAT WASHER | 1 |
| 16 | 353143 | DAMPENER MOUNT | 2 |
| 17 | 104255 | 1/4-20 NYLOC NUT | 4 |
| 18 | 105255 | 1/4" SAE WASHER | 2 |
| 19 | 823221 | 10MM BALL STUD | 2 |
| 20 | 583415 | DAMPENER / CONTROL | 1 |
| 21 | 104257 | 3/8-16 NYLOC NUT | 1 |
| 22 | 100294 | 3/8-16 X 1-1/2 HHCS | 1 |
| 23 | 352008 | HANDLE MOUNT | 1 |
| 24 | 107502 | 1/4-20 X 3/4 CARR. BOLT | 2 |
| 25 | 353021 | SWITCH BRACKET | 1 |
| 26 | 593041 | NEUTRAL SWITCH | 1 |
| 27 | 109001 | 5/16-18 WHIZLOCK NUT | 4 |
| 28 | 352006 | STEERING CONTROL LT | 1 |
| 29 | 353063 | LT CONTROL BRACKET | 1 |
| 30 | 592042 | HANDLE LH W / GRIP | 1 |
| 31 | 523033 | HANDLE PLUG | 1 |
| 32 | 523032 | HANDLE GRIP | 1 |

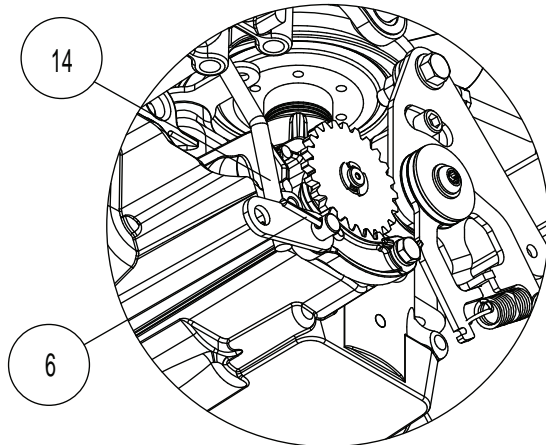
NOTE:



Brake Components - Right Hand



ITEM 14



MOUNTING VIEW



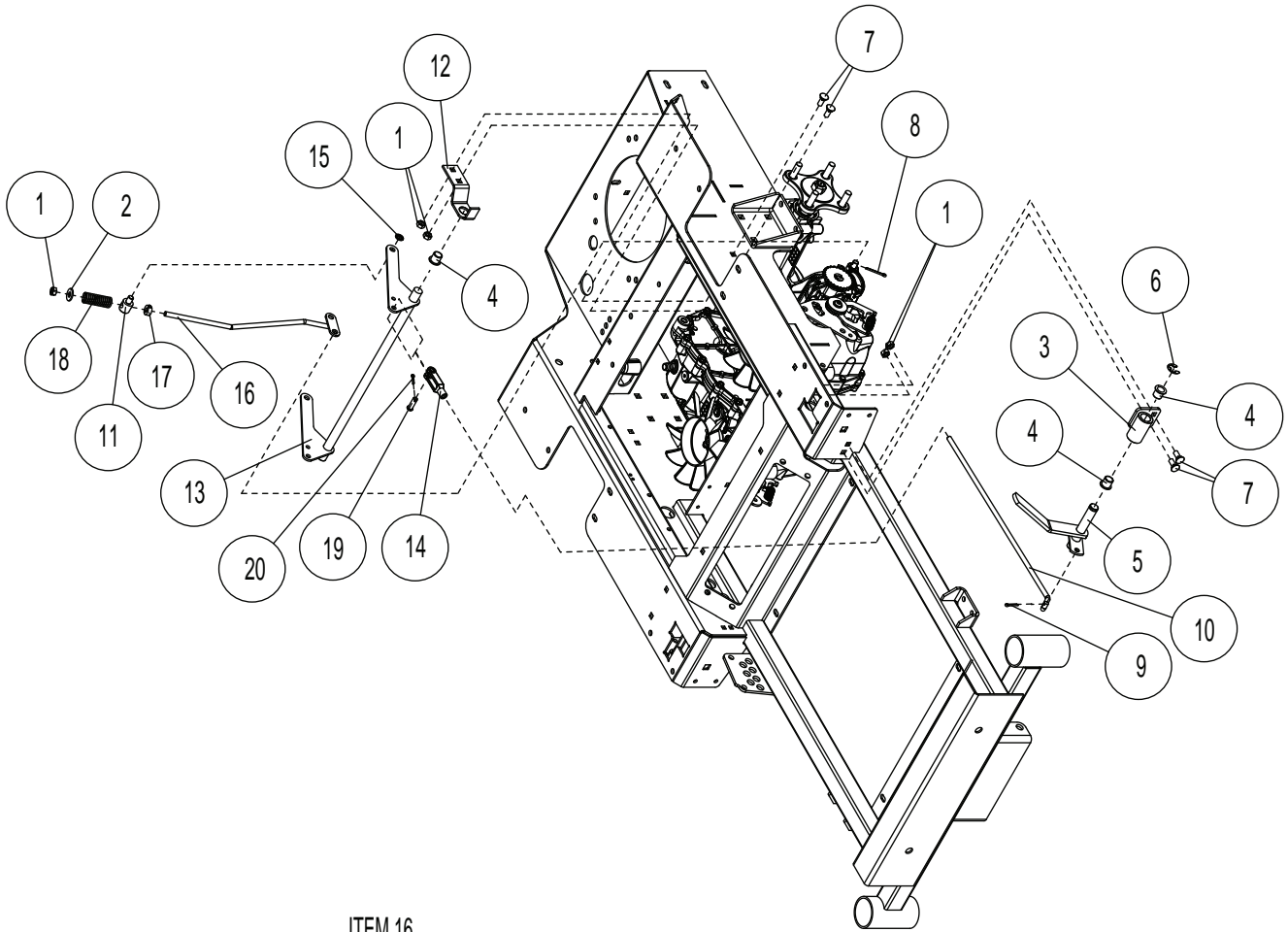
Brake Components - Right Hand

| # | PART NUMBER | DESCRIPTION | QTY. |
|----|-------------|----------------------------|------|
| 1 | 104256 | 5/16-18 NYLOC NUT | 4 |
| 2 | 105258 | 5/16 STD FLAT WASHER | 1 |
| 3 | 104255 | 1/4-20 NYLOC NUT | 2 |
| 4 | 353057 | 5/8 FLANGE BUSHING | 1 |
| 5 | 107503 | 5/16 - 18 X 3/4 CARR. HEAD | 2 |
| 6 | 106763 | 1/2 X 1 1/4 COTTER PIN | 1 |
| 7 | 423130 | PARK BRAKE SWIVEL | 1 |
| 8 | 353059 | BRAKE SHAFT MOUNT | 1 |
| 9 | 352020 | BRAKE SHAFT | 1 |
| 10 | 523034 | PARK BRAKE SWITCH | 1 |
| 11 | 353073 | BRAKE SWITCH ACTUATOR | 1 |
| 12 | 100251 | 1/4-20 X 5/8 HHCS | 2 |
| 13 | 363177 | 3/8 PUSH NUT | 1 |
| 14 | 352042 | LOWER BRAKE LINKAGE | 1 |
| 15 | 523112 | 5/16 CLAMP COLLAR | 1 |
| 16 | 523024 | SPRING | 1 |

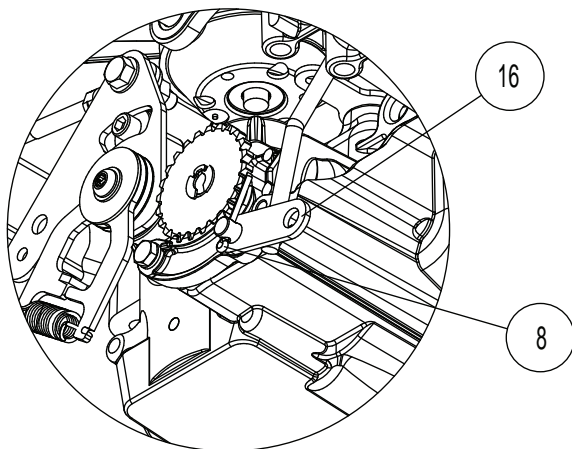
NOTE:



Brake Components - Left Hand



ITEM 16



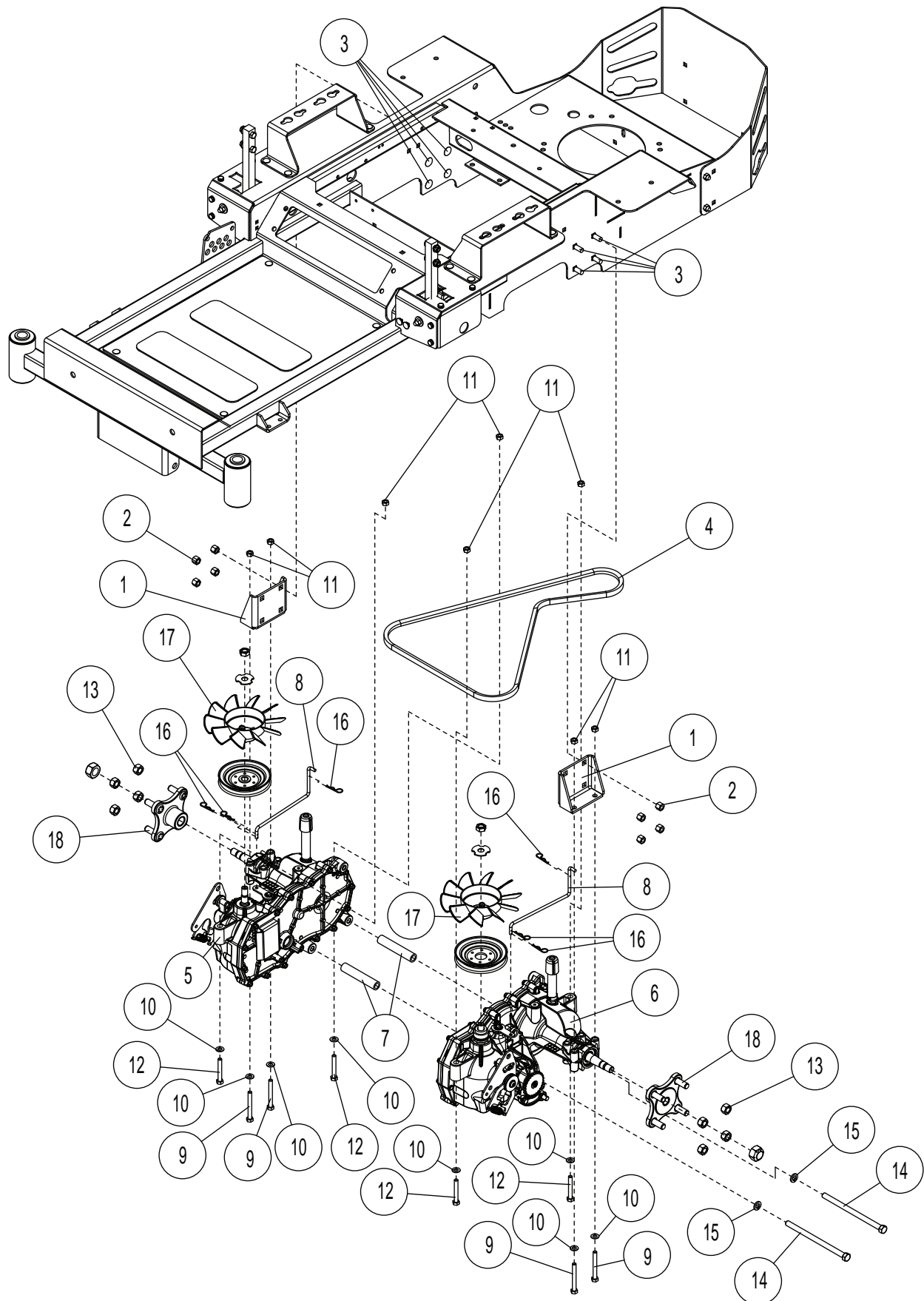
MOUNTING VIEW



Brake Components - Left Hand

| # | PART NUMBER | DESCRIPTION | QTY. |
|----|-------------|----------------------------|------|
| 1 | 104256 | 5/16-18 NYLOC NUT | 6 |
| 2 | 105258 | 5/16 STD FLAT WASHER | 1 |
| 3 | 352024 | BRAKE LEVER PIVOT | 1 |
| 4 | 353057 | 5/8 FLANGE BUSHING | 3 |
| 5 | 352022 | BRAKE LEVER | 1 |
| 6 | 108500 | E-RING FOR 5/8 DIA | 1 |
| 7 | 107503 | 5/16 - 18 X 3/4 CARR. HEAD | 4 |
| 8 | 106763 | 1/2 X 1 1/4 COTTER PIN | 2 |
| 9 | 106753 | 3/32 X 3/4 COTTER PIN | 1 |
| 10 | 353071 | BRAKE LINKAGE | 1 |
| 11 | 423130 | PARK BRAKE SWIVEL | 1 |
| 12 | 353059 | BRAKE SHAFT MOUNT | 1 |
| 13 | 352020 | BRAKE SHAFT | 1 |
| 14 | 363152 | YOKE 5/16-24 | 1 |
| 15 | 363177 | 3/8 PUSH NUT | 1 |
| 16 | 352042 | LOWER BRAKE LINKAGE | 2 |
| 17 | 523112 | 5/16 CLAMP COLLAR | 1 |
| 18 | 523024 | SPRING | 1 |
| 19 | 363144 | CLEVIS PIN 5/16 | 1 |
| 20 | 106763 | COTTER PIN 1/8 X 3/4 | 1 |

NOTE:





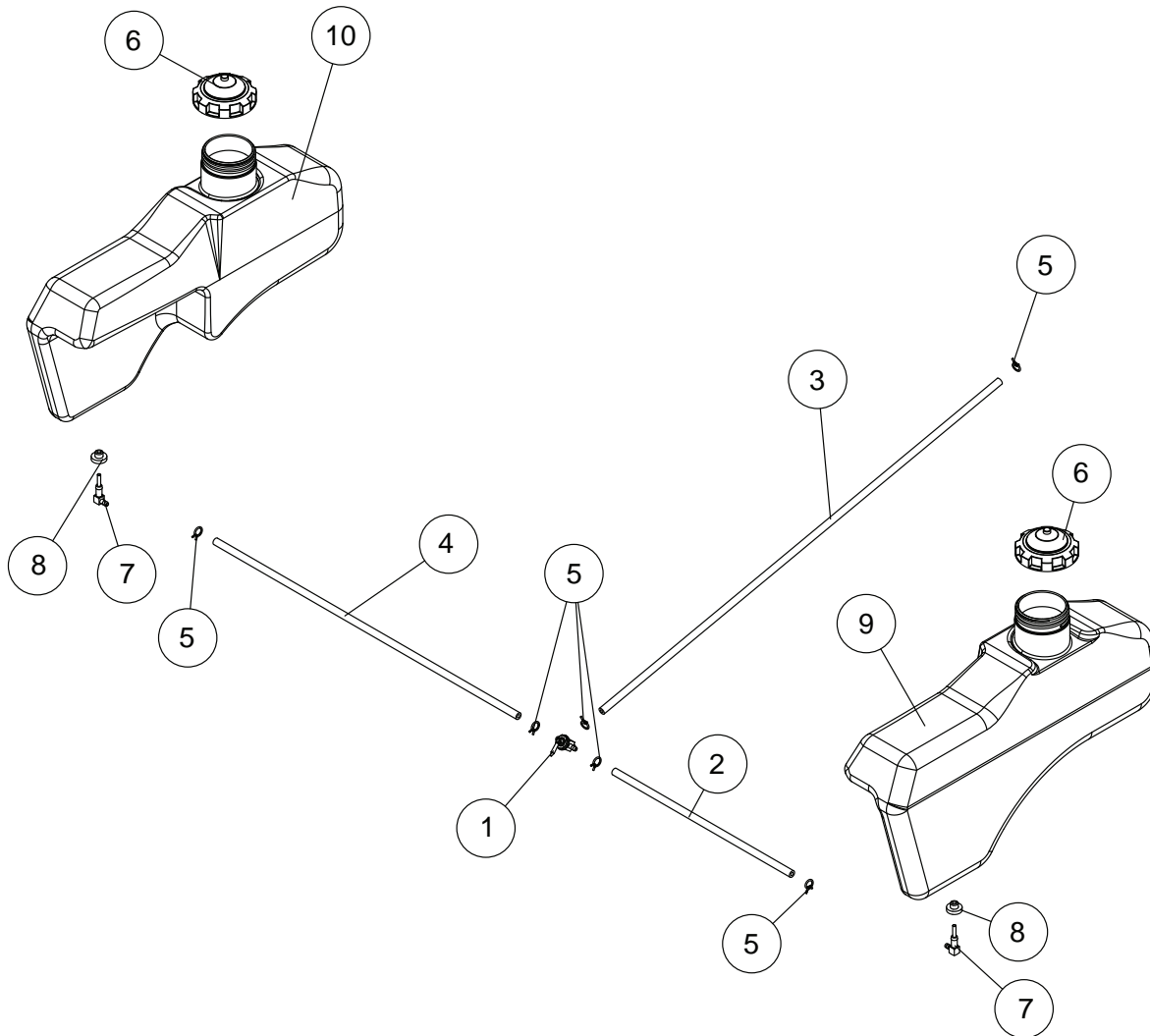
Hydro Components

| # | PART NUMBER | DESCRIPTION | QTY. |
|----|-------------|---------------------------------------|------|
| 1 | 353013 | AXLE MOUNT | 1 |
| 2 | 104257 | 3/8-16 NYLOC NUT | 20 |
| 3 | 107526 | 1/4-20 X 3/4" CARR BOLT | 8 |
| 4 | 353112 | PUMP BELT | 1 |
| 5 | 353127 | EZT RH | 1 |
| 6 | 353128 | EZT LH | 1 |
| 7 | 353118 | TIE ROD | 2 |
| 8 | 353091 | BYPASS LINKAGE | 2 |
| 9 | 100280 | 5/16-18 X 2-1/2 HHCS | 4 |
| 10 | 105257 | 5/16 SAE FLATWASHER | 16 |
| 11 | 104256 | 5/16-18 NYLOC NUT | 12 |
| 12 | 100278 | 5/16-18 X 2-1/2 HHCS | 4 |
| 13 | 103023 | 1/2-20 LUG NUT | 8 |
| 14 | 100321 | 7/16-14 X 7.0 HHCS | 2 |
| 15 | 105007 | 7/16 ANSI STD LOCK WASHER | 2 |
| 16 | 363165 | #3 HAIRPIN COTTOR | 6 |
| 17 | 353189 | FAN - SERVICE PART | - |
| 18 | 353190 | HUB - SERVICE PART (HYDROGEAR# 71093) | - |

NOTE:



Fuel Components



| # | PART NO. | DESCRIPTION | QTY. |
|----|----------|-------------------|------|
| 1 | 583050 | FUEL VALVE | 1 |
| 2 | 363099 | FUEL LINE - 17" | 1 |
| 3 | 583185 | FUEL LINE - 39" | 1 |
| 4 | 823315 | FUEL LINE - 27" | 1 |
| 5 | 363098 | FUEL LINE CLAMP | 6 |
| 6 | 823179 | FUEL CAP - LARGE | 2 |
| 7 | 583183 | FUEL TANK ADAPTER | 2 |
| 8 | 533125 | VALVE GROMMET | 2 |
| 9 | 353156 | LH FUEL TANK | 1 |
| 10 | 353155 | RH FUEL TANK | 1 |

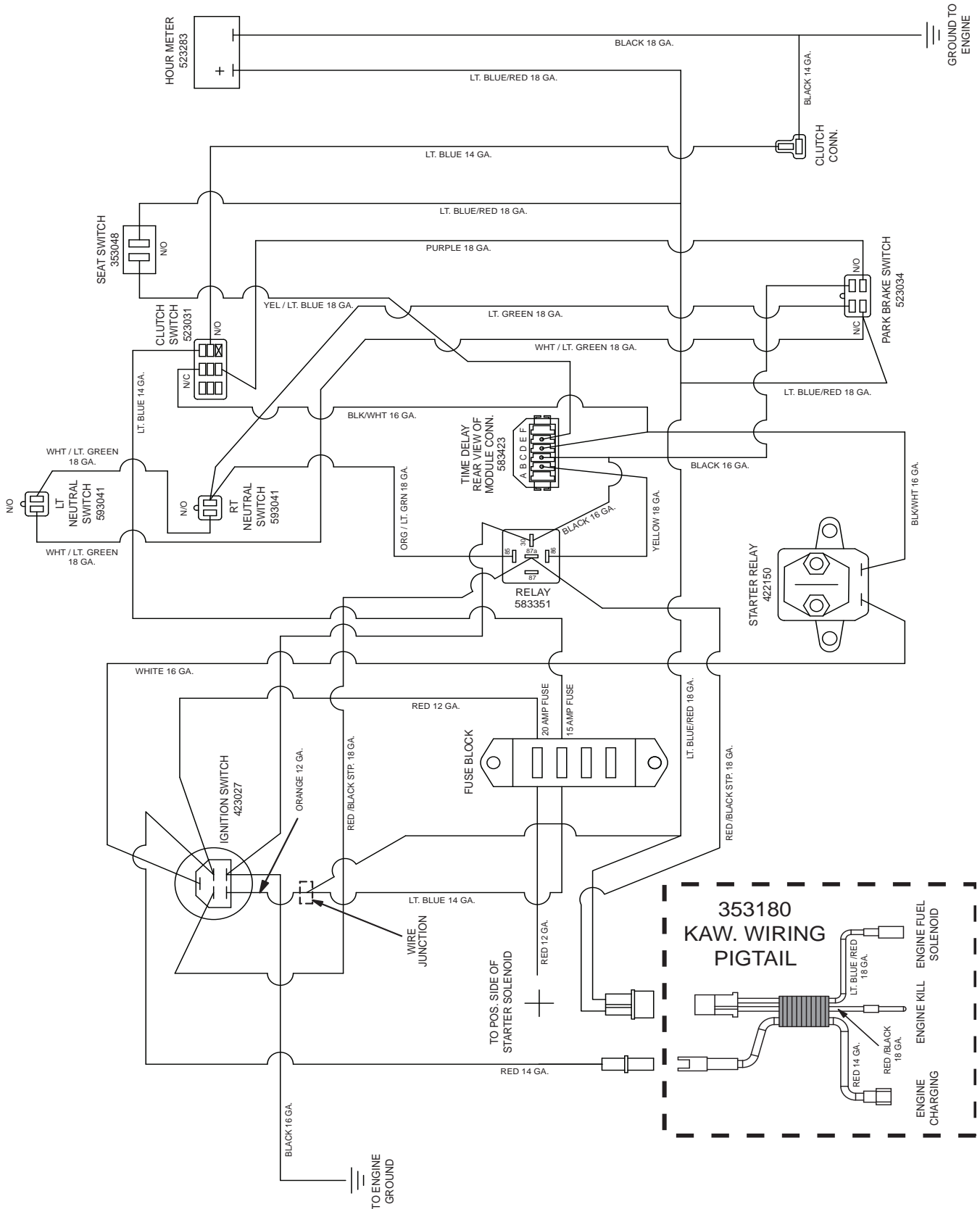
NOTE:

- A:** THERE ARE NO REPLACEMENT DECALS FOR TANKS, BECAUSE THEY ARE MOLDED INTO THE TANK.



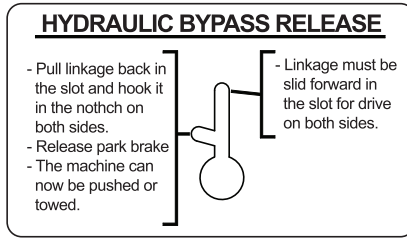
Electrical Section

ENCORE PART # 353132
 WIRE HARNESS FOR F48K19 ; 19 HP KAWASAKI
 ENCORE PART #353180
 KAW. WIRING PIGTAIL FOR F48K19 ; 19 HP KAWASAKI





1



6



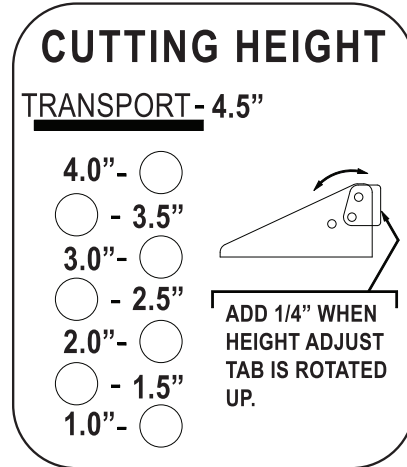
10



2



3



7



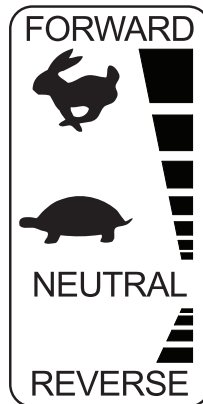
11



12



4



8



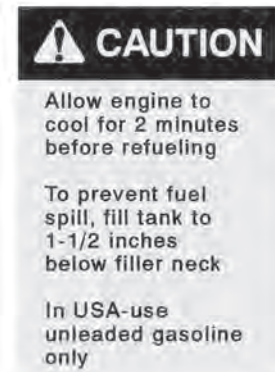
13



5



9



14



Decals

| # | PART NO. | DESCRIPTION | QTY. |
|----|----------|------------------------|------|
| 1 | 363026 | SERIAL PLATE | 1 |
| 2 | 423155 | DECAL, RIDER CAUTION | 1 |
| 3 | 423156 | DECAL, PARK LEVER | 1 |
| 4 | 823320 | DECAL, BATTERY WARNING | 1 |
| 5 | 823323 | DECAL, ROTATING PARTS | 1 |
| 6 | 353125 | DECAL, BYPASS | 1 |
| 7 | 353129 | DECAL, HEIGHT ADJUST | 1 |
| 8 | 353130 | DECAL, MOTION CONTROL | 2 |
| 9 | 353131 | DECAL, TRANSPORT | 1 |
| 10 | 353174 | DECAL, FUZION | 1 |
| 11 | 353186 | DECAL, 48" DECK | 1 |
| 12 | 363001 | DECAL, CAUTION | 1 |
| 13 | 363023 | DECAL, DANGER | 2 |
| 14 | 363290 | DECAL, CAUTION FUEL | 1 |

NOTE:

- A:** THERE ARE NO REPLACEMENT DECALS FOR TANKS, BECAUSE THEY ARE MOLDED INTO THE TANK.

Notes

Notes

Notes

