



PARTS MANUAL

**EC52FX730V3
EC52FX730VCA
EC52FX730V5
EC52FX730V5CA
EC60FX730V3
EC60FX730VCA
EC60FX801V3
EC60FX801V5
EC60FX801V5CA
EC60FX850V5**



401 COMMERCE STREET

BEATRICE, NE 68310

800-267-4255

FAX – 402-223-4103

Contents

AVAILABLE ACCESSORIES7

CASTER ASSEMBLY9

FRAME ASSEMBLY 3400 HYDRO MODELS.....11

FRAME ASSEMBLY 5400 HYDRO MODELS.....13

MOTION CONTROL ASSEMBLY.....15

SEAT ASSEMBLY17

REAR TIRE ASSEMBLY – 52” DECK 3400 HYDRO MODELS19

REAR TIRE ASSEMBLY – 60” DECK 3400 HYDRO MODELS20

REAR TIRE ASSEMBLY – 52” DECK 5400 HYDRO MODELS21

REAR TIRE ASSEMBLY – 60” DECK 5400 HYDRO MODELS22

DECK LIFT ASSEMBLY23

52” DECK ASSEMBLY25

60” DECK ASSEMBLY27

SPINDLE HOUSING ASSEMBLY29

DECK IDLER ASSEMBLY.....31

LEFT DECK IDLER.....33

LEFT DECK IDLER.....34

ENGINE ASSEMBLY FX730V35

ENGINE ASSEMBLY FX801V37

ENGINE ASSEMBLY FX850V39

FUEL ASSEMBLY – FX730 - FX801 - FX85041

3400 HYDRO ASSEMBLY.....43

5400 HYDRO ASSEMBLY.....46

ELECTRICAL ASSEMBLY49

DECAL ASSEMBLY51

ROPS ASSEMBLY53



AVAILABLE ACCESSORIES

FITS MODELS:

EC52FX730V3

EC52FX730V3CA

EC52FX730V5

EC52FX730V5CA

MULCH KIT:

541005

52" MULCH KIT

GRASS CATCHER ASSEMBLY

542128

52" GRASS CATCHER W/WEIGHTS

5101002

52" BLOWER

542119

52" COLLECTION TUBE

FITS MODELS:

EC60FX730V3

EC60FX730V3CA

EC60FX801V3

EC60FX801V5

EC60FX730V5CA

EC60FX850V5

MULCH KIT:

541006

60" MULCH KIT

GRASS CATCHER ASSEMBLY:

542129

60" GRASS CATCHER W/WEIGHTS

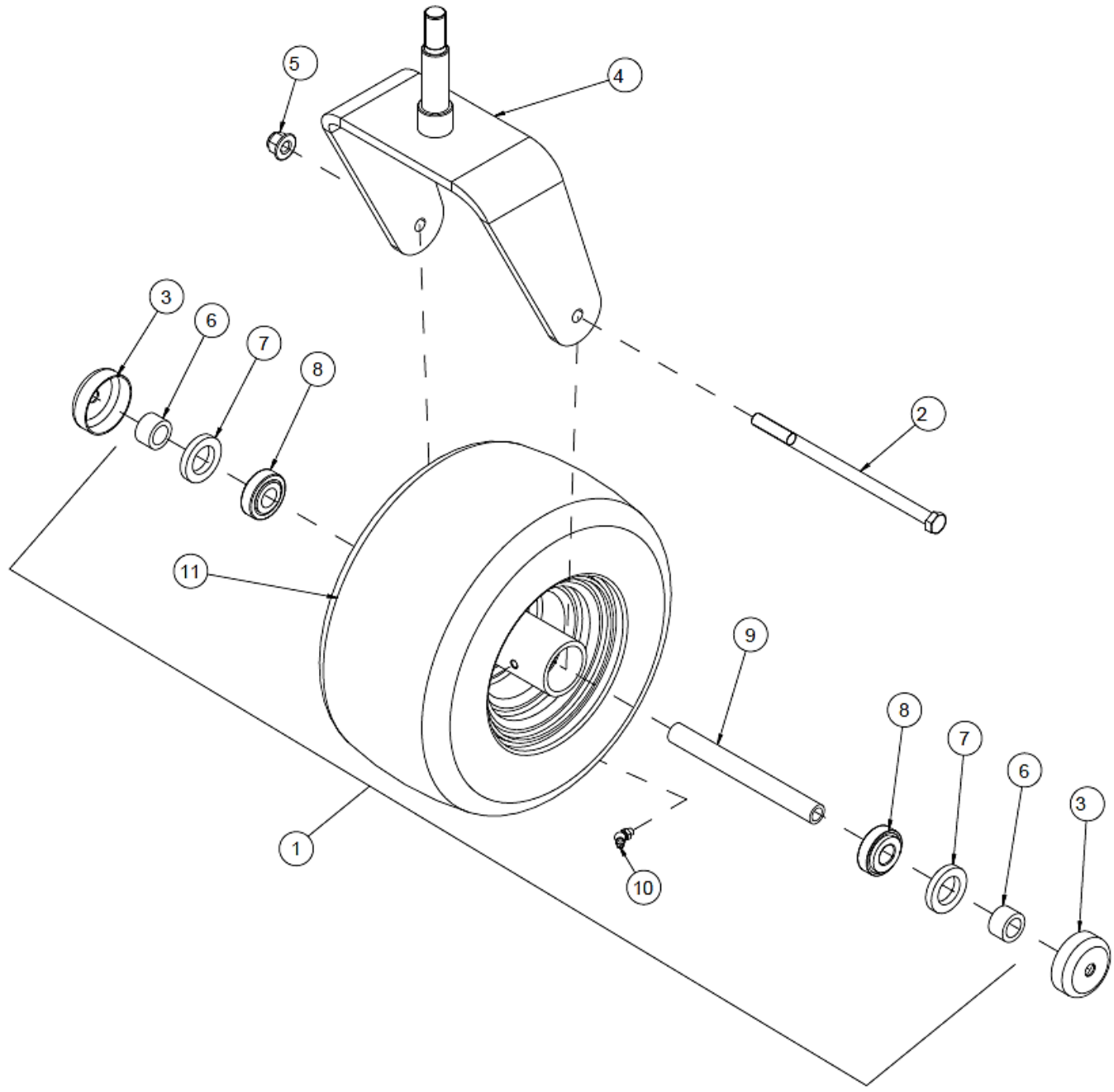
5101003

60" BLOWER

542120

60" COLLECTION TUBE

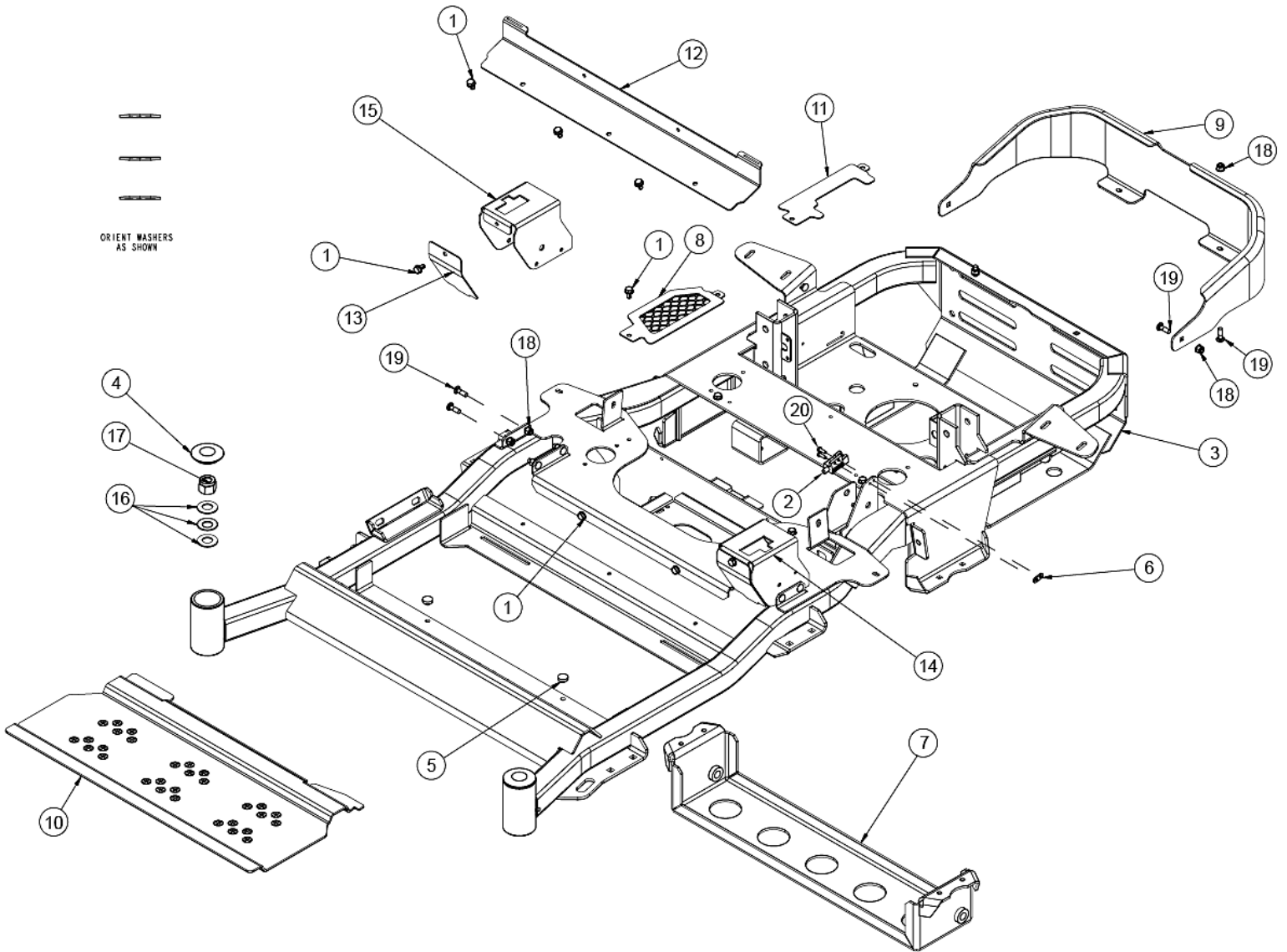
CASTER ASSEMBLY



CASTER ASSEMBLY

ITEM	PART NO.	DESCRIPTION
1	542070	ASM, WHEEL COMPLETE 13 X 6.5-6 PNEUM
2	543189	BOLT, M12 X 225 MM
3	5202026	CAP, DUST
4	542011-2	WLD, CASTER FORK 6.5, RED
5	B6183-12	NUT, NYLOC FLANGE M12
6	5202035	SPACER
7	5202036	SEAL, LIP
8	5202037	BEARING, TAPERED ROLLER
9	543230	TUBE, AXLE
10	111009	ZERK, 45° 1/4-28
11	542007	TIRE, 13 X 6.5-6 PNEUMATIC

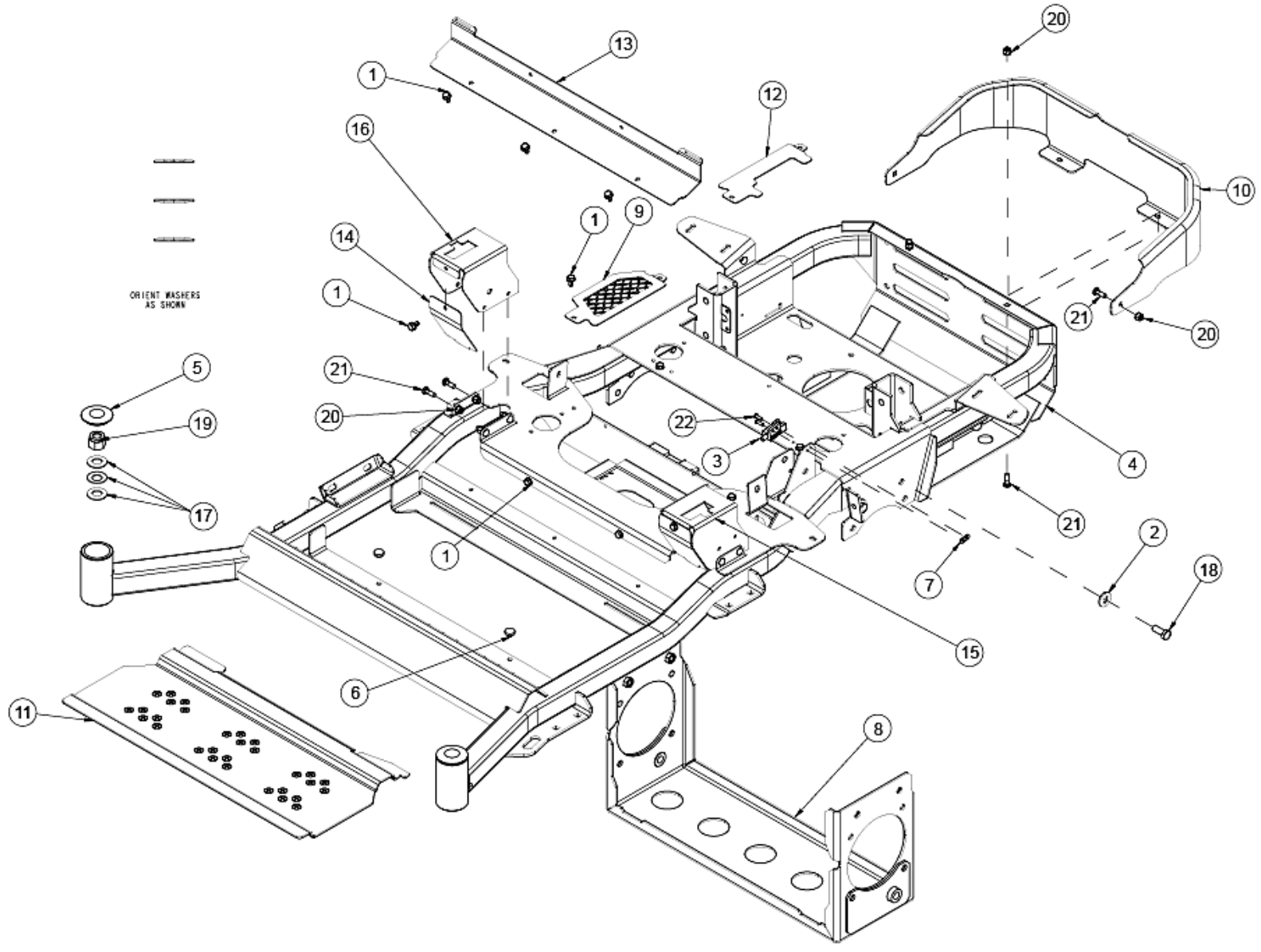
FRAME ASSEMBLY 3400 HYDRO MODELS



FRAME ASSEMBLY 3400 HYDRO MODELS

ITEM	PART NO.	DESCRIPTION
1	102500	SCREW, FLANGE TF M8X16 CA-PT
2	523034	PARK SWITCH
3	542104	52" FRAME W/DECALS 3400
	542105	60" FRAME W/DECALS 3400
4	5202009	DUST CAP
5	5203907	BUMPER, RUBBER
6	5208103	NUT PLATE
7	542020-2	WLD, LOWER HYDRO 3400, RED
8	542081-1	WLD, FAN GUARD RH, BLACK
9	543224-1	GUARD, ENGINE, BLACK
10	543226-1	FLOORPAN, BLACK
11	543319-1	GUARD, FAN LH, BLACK
12	543418-1	KICKBOARD, BLACK
13	543419-1	COVER, MOTION CONTROL, BLK
14	542108	BRACKET, T-SLOT LH, BLK WITH DECAL
15	542109	BRACKET, T-SLOT RH, BLK WITH DECAL
16	B1972-A40	WASHER, SPRING DISC A40
17	B6182-20	NUT, NYLOC M20
18	B6183-8	NUT, FLANGED NYLOC M8
19	B801-825	BOLT, CARRIAGE SN M8X25
20	B823-516	SCREW M5X16
21	B297-30205	BEARING 30205
22	B13871-B32528	SEAL (F) 32X52X8

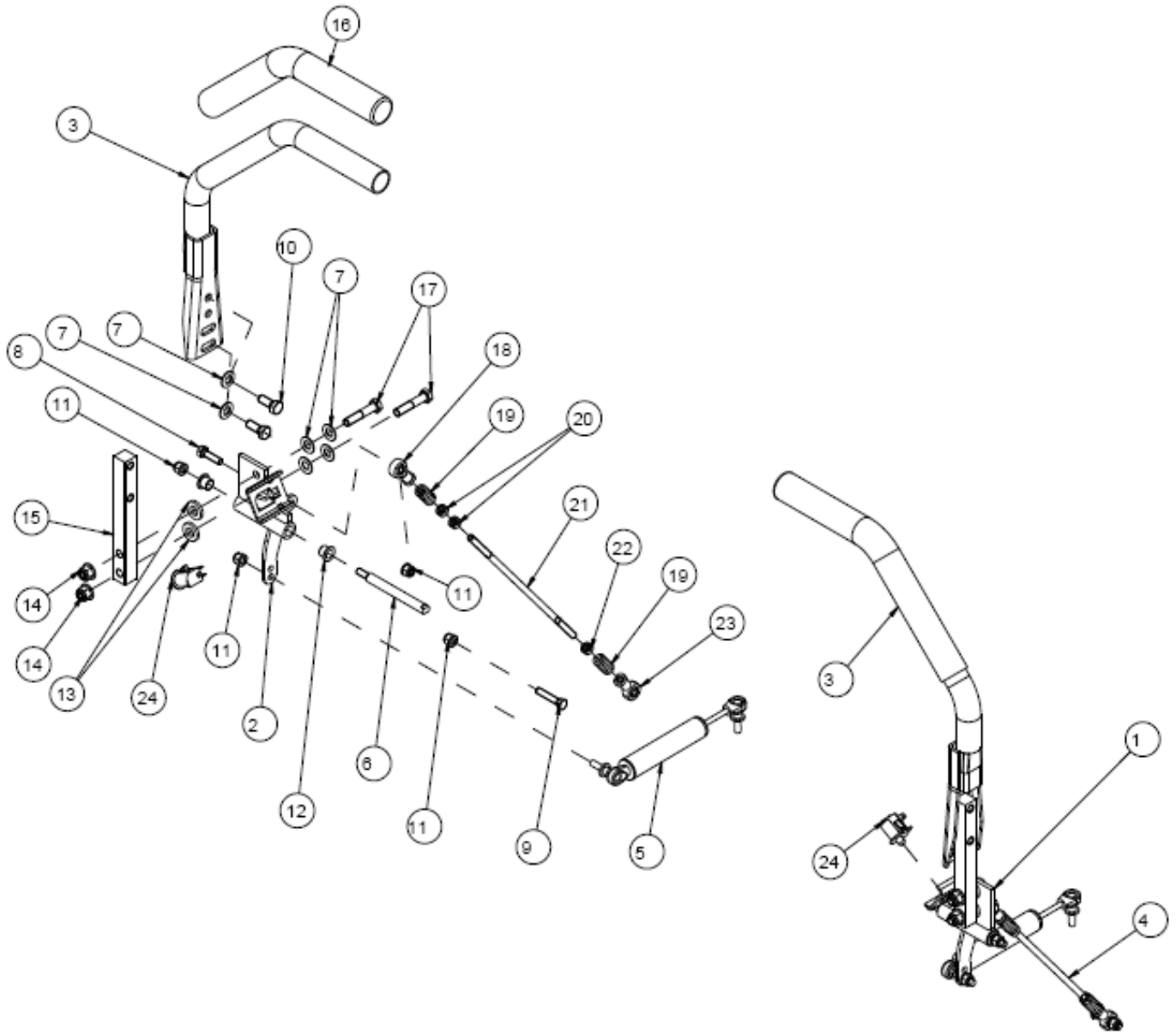
FRAME ASSEMBLY 5400 HYDRO MODELS



FRAME ASSEMBLY 5400 HYDRO MODELS

ITEM	PART NO.	DESCRIPTION
1	102500	SCREW, FLANGE TF M8X16 CA-PT
2	105502	WASHER, SPRING DISC 1/2
3	523034	PARK SWITCH
4	542106	52" FRAME W/DECALS 5400
	542107	60" FRAME W/DECALS 5400
5	5202009	DUST CAP
6	5203907	BUMPER, RUBBER
7	5208103	NUT RACK
8	542021-2	WLD, LOWER HYDRO 5400, RED
9	542081-1	WLD, FAN GUARD RH, BLACK
10	543224-1	GUARD, ENGINE, BLACK
11	543226-1	FLOORPAN, BLACK
12	543319-1	GUARD, FAN LH, BLACK
13	543418-1	KICKBOARD, BLK
14	543419-1	COVER, MOTION CONTROL, BLK
15	542108	T SLOT LH W/DECALS
16	542109	T SLOT RH W/DECALS
17	B1972-A40	WASHER, SPRING DISC A40
18	B5783-1230	BOLT M12x30
19	B6182-20	NUT, NYLOC M20
20	B6183-8	NUT, FLANGED NYLOC M8
21	B801-825	BOLT, CARRIAGE SN M8X25
22	B823-516	SCREW M5x16
23	B297-30205	BEARING 30205
24	B13871-B32528	SEAL (F) 32x52x8

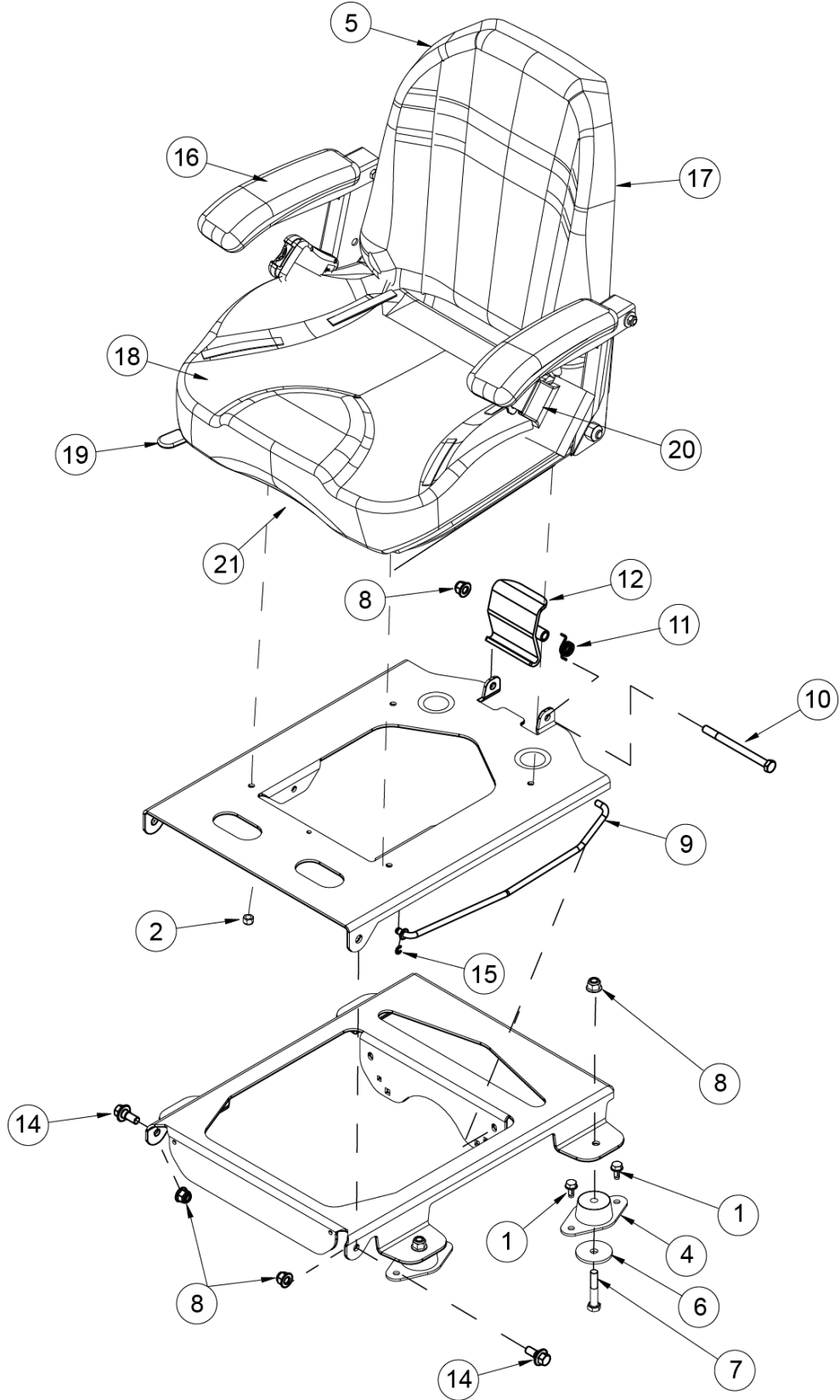
MOTION CONTROL ASSEMBLY



MOTION CONTROL ASSEMBLY

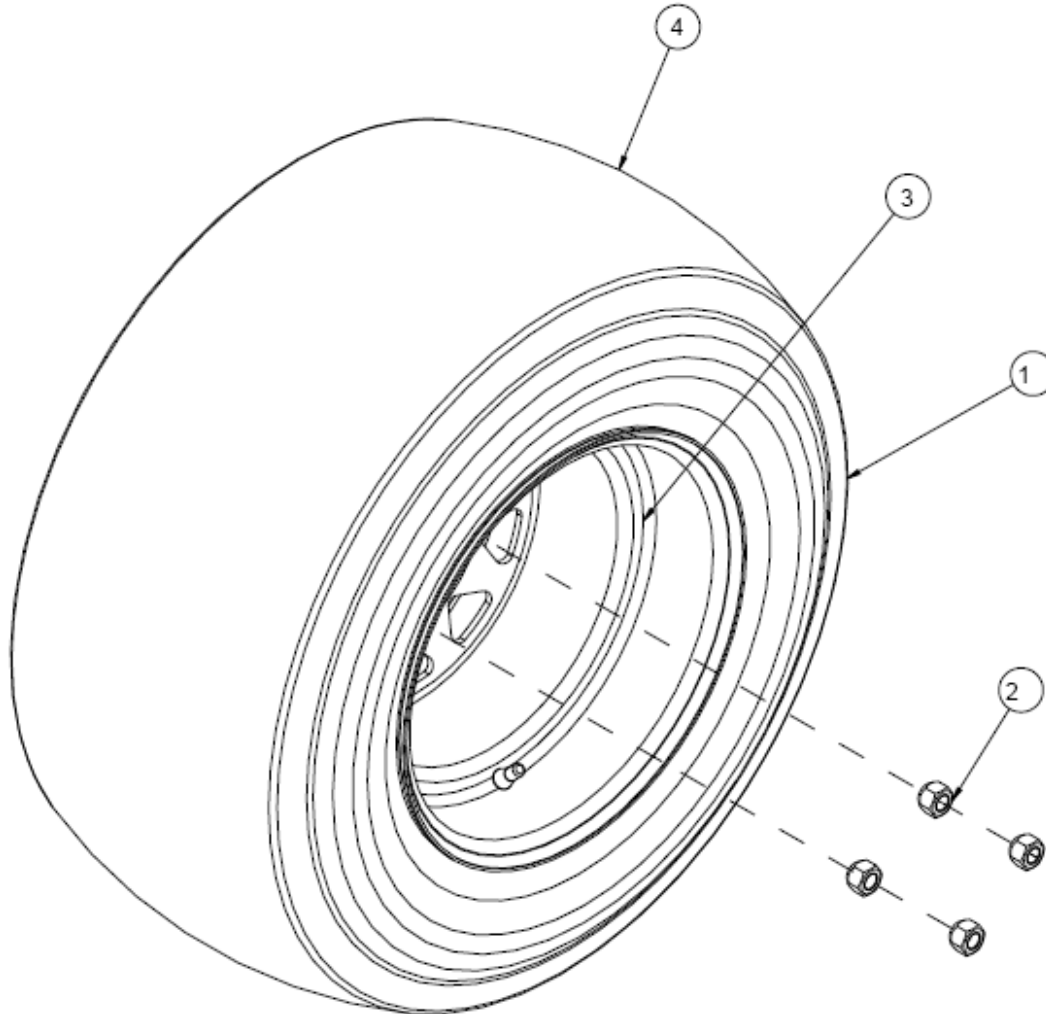
ITEM	PART NO.	DESCRIPTION
1	542044	WLD, MOTION CONTROL LH
2	542079	WLD, MOTION CONTROL RH
3	542048	MOTION CONTROL LEVER W/GRIP
4	542065	5400 LINKAGE COMPLETE
	542049	3400 LINKAGE COMPLETE
5	543229	DAMPER
6	5002111	ROD, MOTION CONTROL
7	B1972-A22.5-2	WASHER, SPRING DISC A22.5 OD
8	B5783-830	SCREW, HH TAP M8x30
9	B5783-840	SCREW, HH TAP M8 X 40
10	B5783-1025	SCREW, HH TAP M10x25
11	B6183-8	NUT, FLANGED NYLOC M8
12	543154	BUSHING, MOTION CONTROL
13	543152	WASHER, PLASTIC
14	B6183-10	NUT, NYLOC FLANGE M10
15	543153	ARM, MOTION CONTROL
16	543156	GRIP, MOTION CONTROL LEVER
17	B5782-1050	BOLT 10X50
18	5205016	ROD END, SPHERICAL M8 RH SIBJK8S
19	5205003	SPRING, COMPRESSION
20	B6171-8	NUT M8
21	543193	ROD, LINKAGE HYDRO LONG
22	B6171-8L	NUT M8X1 (LH)
23	5205017	ROD END, SPHERICAL M8 LH SILBJK8S
24	353048	SWITCH

SEAT ASSEMBLY

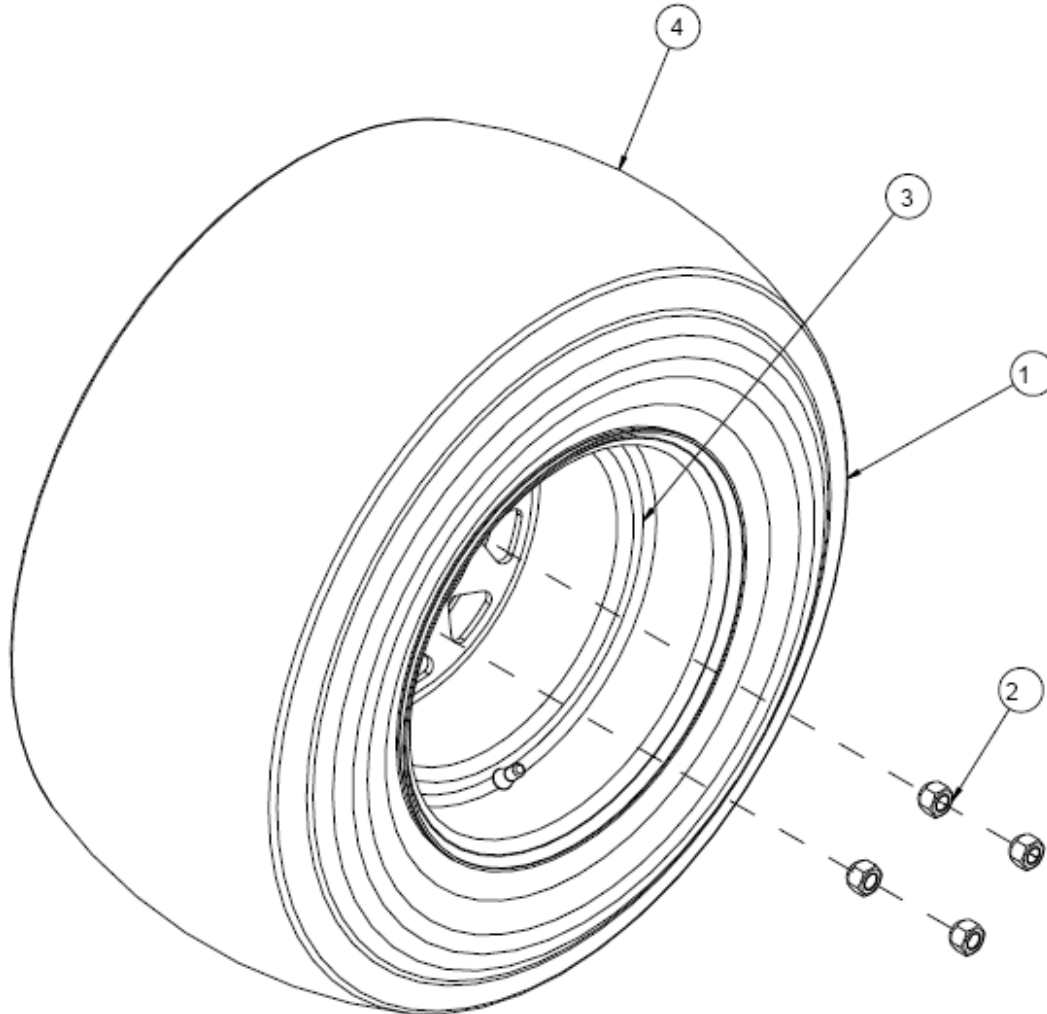


SEAT ASSEMBLY

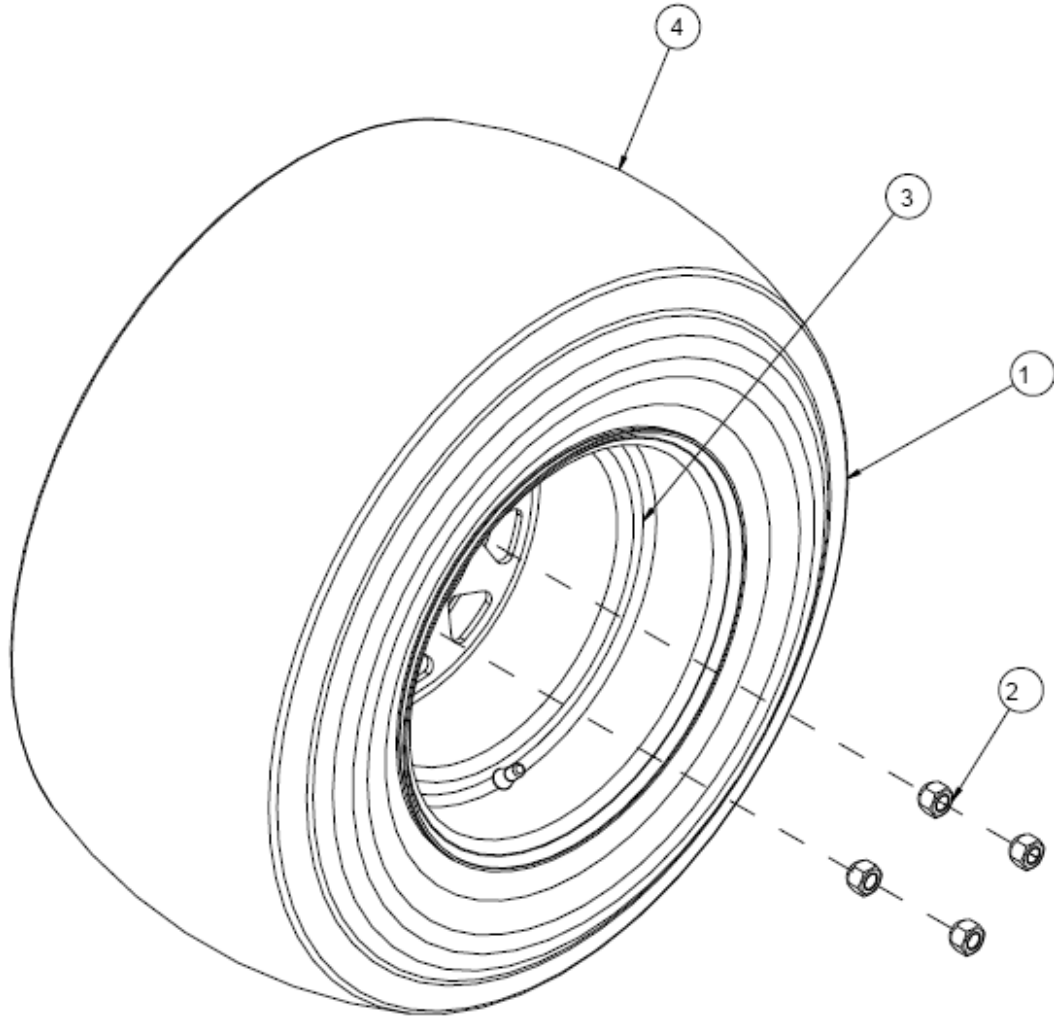
ITEM	PART NO	DESCRIPTION
1	102500	SCREW, FLANGE TF M8X16 CA-PT
2	104256	5/16-18 HEX NYLOC NUT
3	542110	PAN, SEAT, BLACK
4	543181	ISO- MOUNT, SEAT
5	543373	SEAT, ENCORE
6	543296	WASHER, SNUBBER
7	B5782-1055	SCREW, HH M10x55
8	B6183-10	NUT, NYLOC FLANGE M10
9	543252	SEAT ROD
10	B5782-10125	SCREW, HH M10x125
11	543180	SPRING, TORSION
12	542060	WLD, SEAT LATCH
13	542111	FRAME, SEAT, BLACK
14	543177	SHOULDER BOLT 10MM
15	B896-6	E-CLIP 6
16	593097	ARM REST PAD-GREY/MOLDED
17	543440	BACK, SEAT ENCORE
18	543439	CUSHION, SEAT ENCORE
19	543438	KIT, SEAT TRACK 4"
20	543004	SEAT BELT KIT - RETRACTABLE
21	353048	SEAT SWITCH

REAR TIRE ASSEMBLY – 52” DECK 3400 HYDRO MODELS


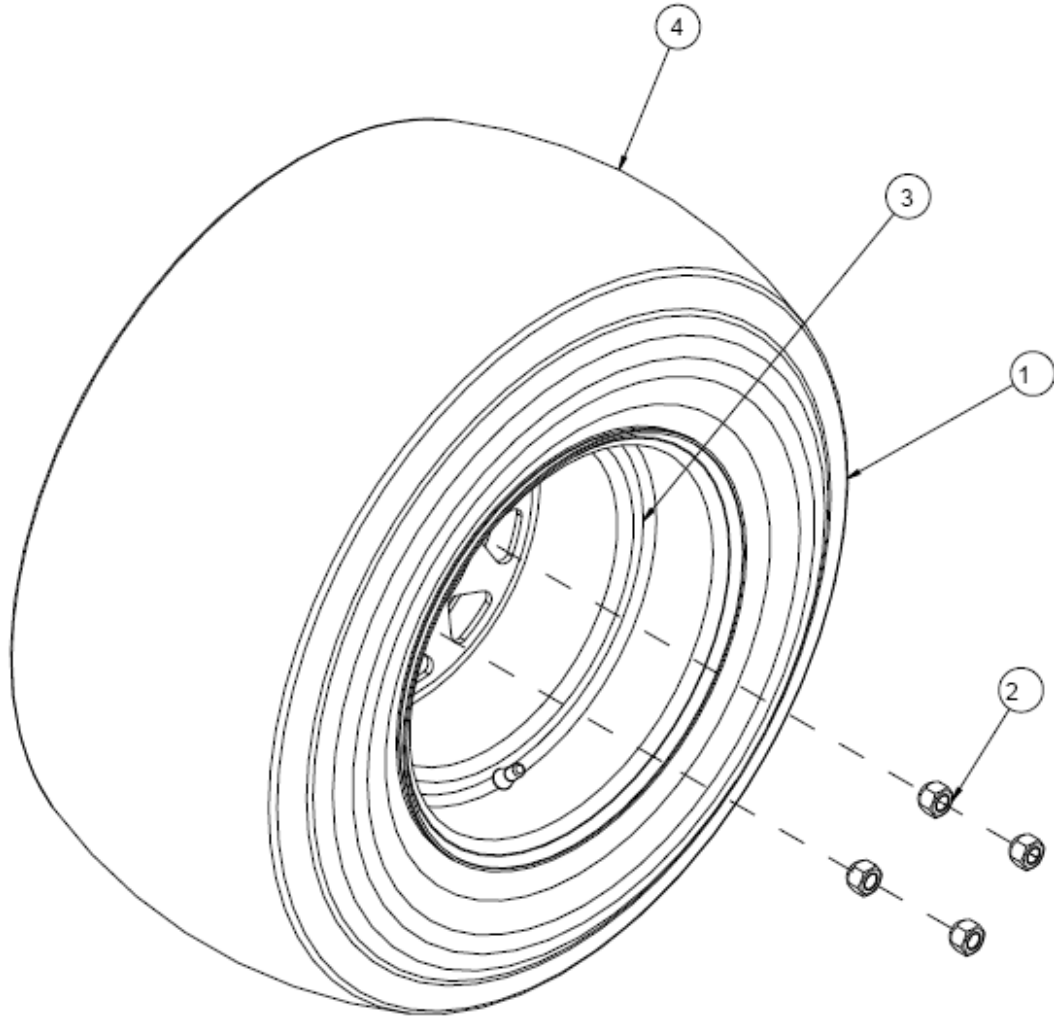
ITEM	PART NO.	DESCRIPTION
1	543289	ASM, WHEEL 23 X 9.5-12
2	103023	1/2-20 X 60 T LUG NUT
3	542078	WHEEL, 12 X 7 WITH VALVE
4	542073	TIRE, 23 X 9.5-12

REAR TIRE ASSEMBLY – 60” DECK 3400 HYDRO MODELS


ITEM	PART NO.	DESCRIPTION
1	5200001	ASM, WHEEL 23 X 10.5-12
2	103023	1/2-20 X 60 T LUG NUT
3	5200012	WHEEL, 12 X 8.5
4	5200011	TIRE, 23 X 10.5-12

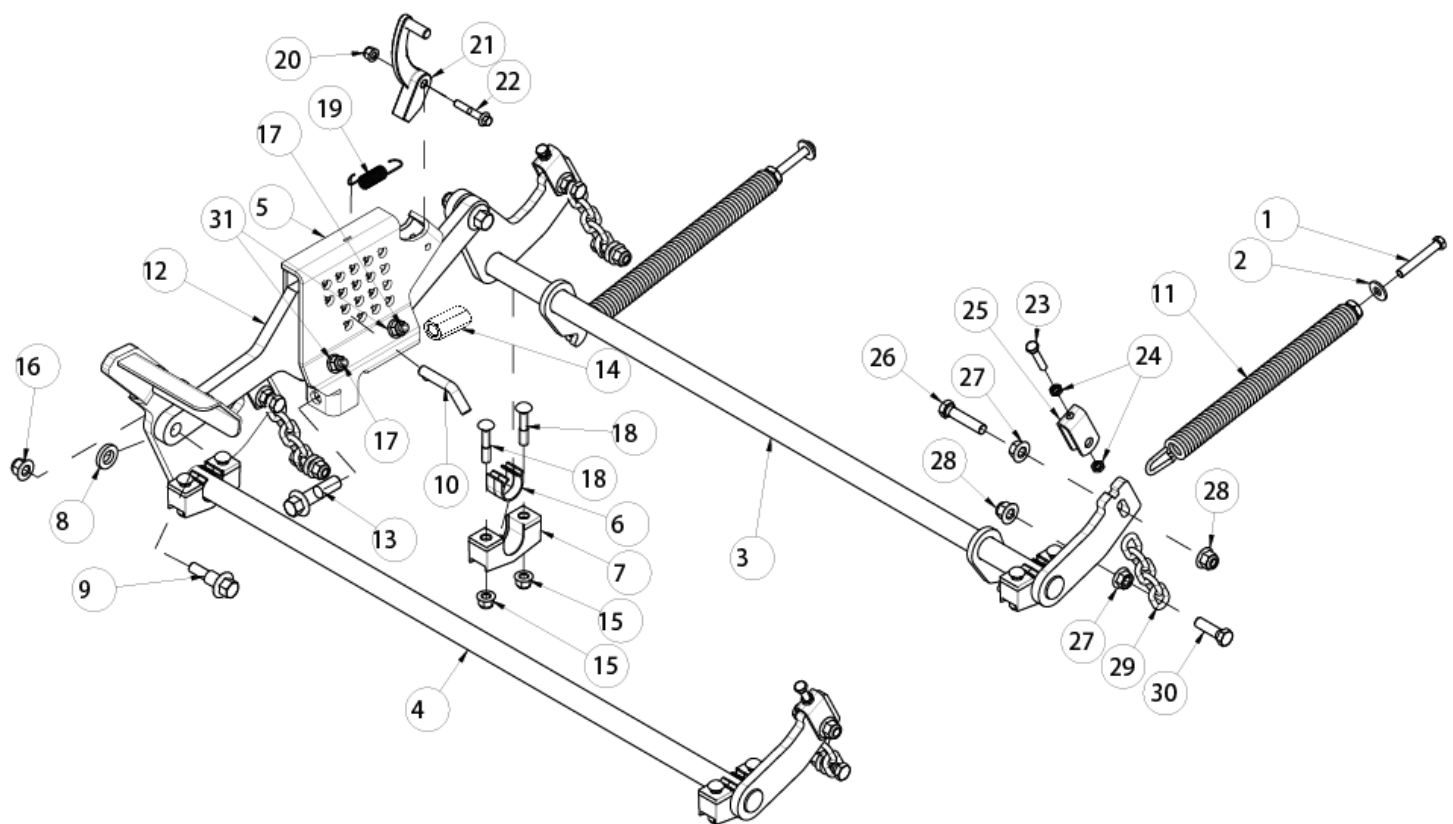
REAR TIRE ASSEMBLY – 52” DECK 5400 HYDRO MODELS


ITEM	PART NO.	DESCRIPTION
1	543427	ASM, WHEEL 24 X 9.5-12
2	103023	1/2-20 X 60 T LUG NUT
3	542101	WHEEL, 12 X 7
4	542102	TIRE, 24 X 9.5-12

REAR TIRE ASSEMBLY – 60” DECK 5400 HYDRO MODELS


ITEM	PART NO.	DESCRIPTION
1	543012	ASM, WHEEL 24 X 12-12
2	103023	1/2-20 X 60 T LUG NUT
3	542018	WHEEL, 12 X 10.5
4	542019	TIRE, 24 X 12.0-12

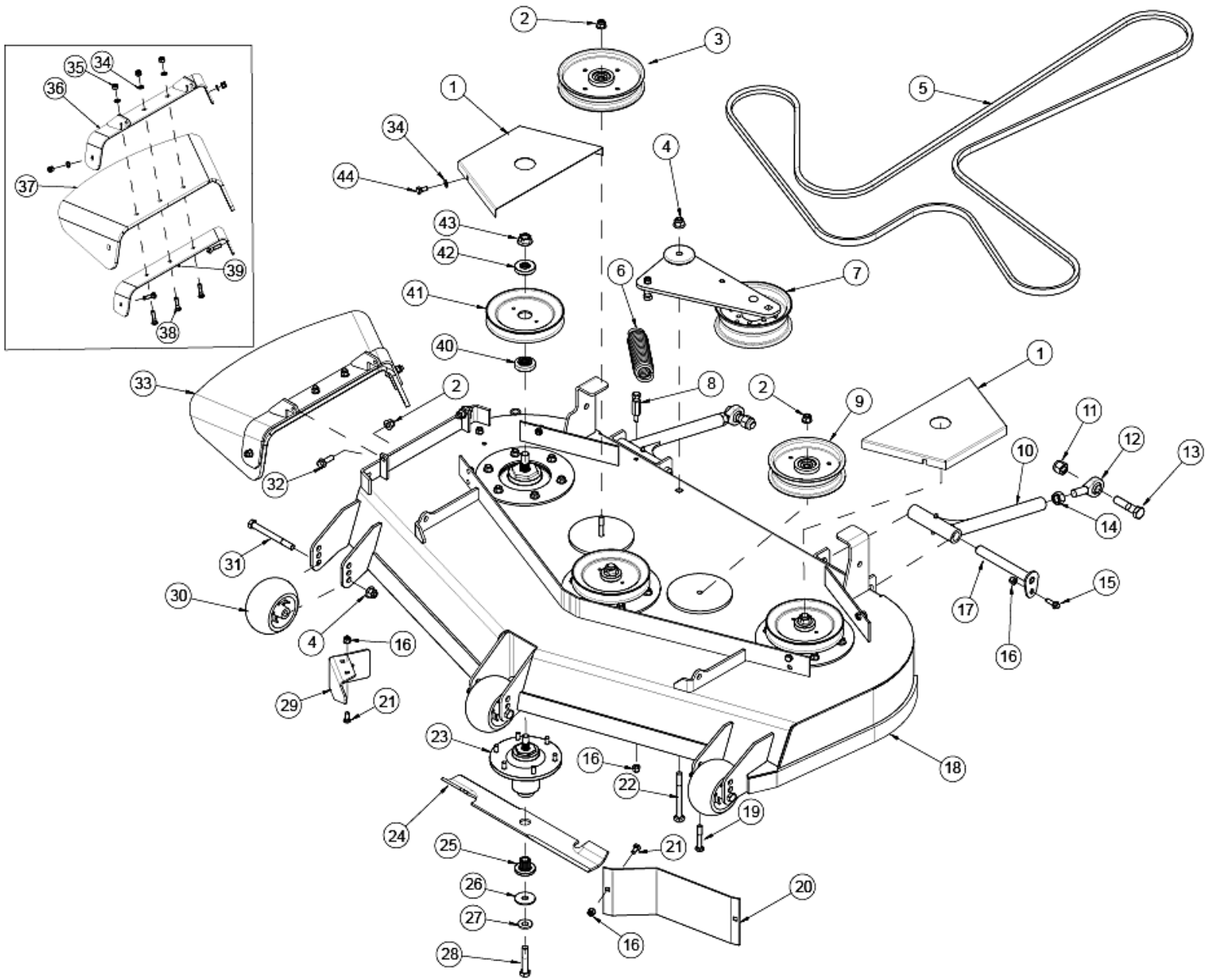
DECK LIFT ASSEMBLY



DECK LIFT ASSEMBLY

ITEM	PART NO.	DESCRIPTION
1	100028	SCREW, HH TAP 3/8-16 X 2-1/2
2	105260	3/8 STD FLAT WASHER
3	542038	ASM, CROSS SHAFT, REAR
4	542039	ASM, CROSS SHAFT, FRONT
5	542112	HOC PLATE W/DECAL
6	543123	BUSHING, CROSS SHAFT
7	543124	MOUNT, CROSS SHAFT
8	543126	SPACER, 16MM X 5M
9	543127	BOLT, SHOULDER 12MM
10	543207	PIN, HOC
11	622135	SPRING TENSION ASSY.755x1.147x14.71
12	543122-1	LINK, SIDE, BLACK
13	B5787-1660	SCREW, HH FLANGE M16 X 60
14	543445	NUT, LONG 16MM
15	B6183-10	NUT, NYLOC FLANGE M10
16	B6183-12	NUT, NYLOC FLANGE M12
17	B801-1030	BOLT, CARRIAGE SN M10X30
18	B801-1050	BOLT, CARRIAGE SN M10x50
19	543302	SPRING, EXTENSION
20	B6183-8	NUT, FLANGED NYLOC M8
21	543138	PAWL, TRANSPORT
22	B5787-845	SCREW, HH FLANGE M8X45
23	B5783-840	SCREW, HH TAP M8 X 40
24	B6172-8	NUT, THIN HEX M8
25	543125	YOKE, DECK ADJUST
26	B5783-1255	SCREW,HH TAP M12 x 55
27	B6177-12	NUT M12
28	B6183-12	NUT, NYLOC FLANGE M12
29	423359	CHAIN (5 LINKS)
30	B5783-1240	SCREW, HH TAP M12 x 40

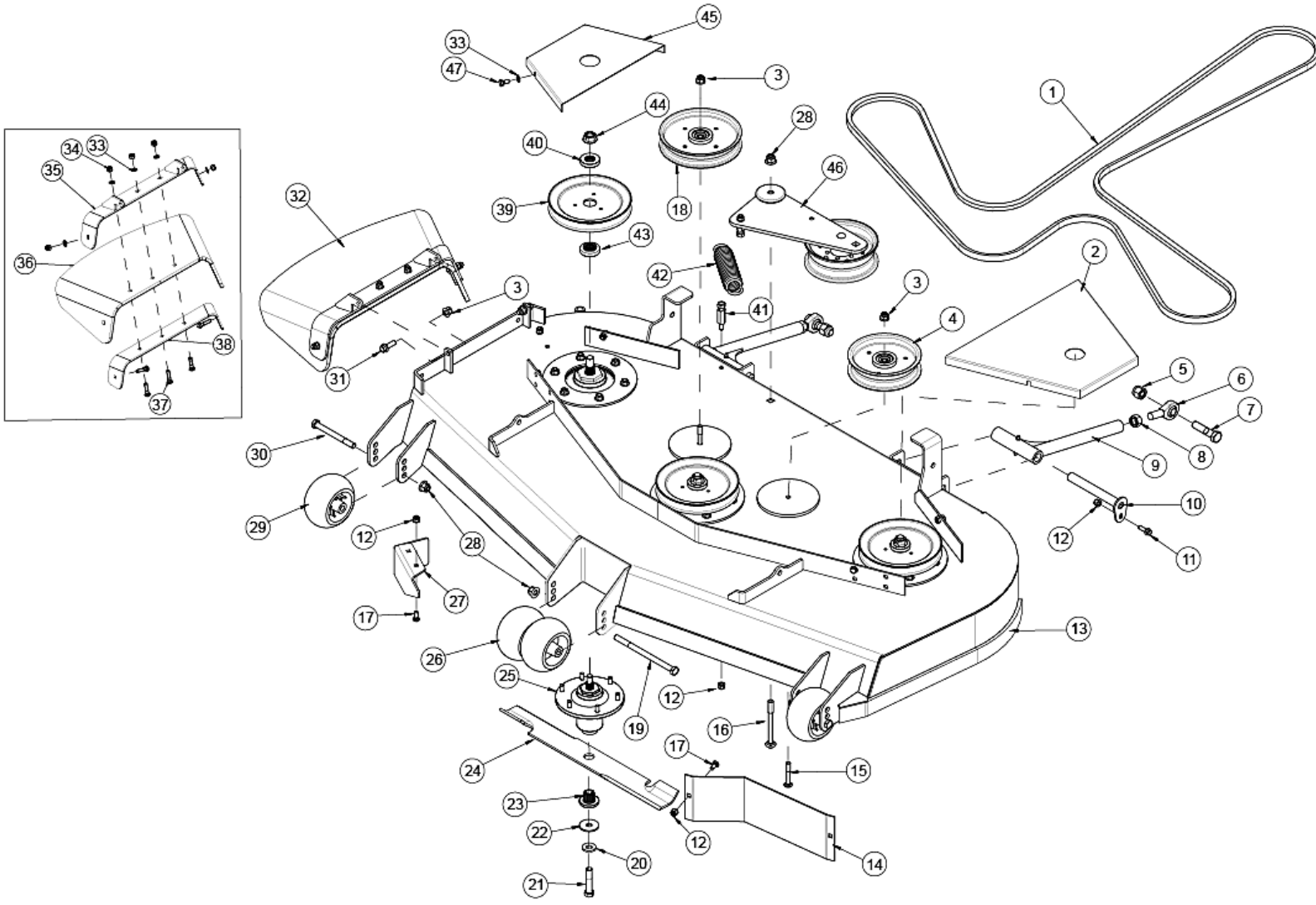
52" DECK ASSEMBLY



52" DECK ASSEMBLY

ITEM	PART NO.	DESCRIPTION
1	542115	BELT SHIELD SHORT W/DECALS
2	B6183-10	NUT, NYLOC FLANGE M10
3	542125	IDLER, FLAT 175MM W/NEW SPACER DETAIL ON PG 30
4	B6183-12	NUT, NYLOC FLANGE M12
5	543097	BELT, DECK 52"
6	5201002	SPRING, EXTENSION
7	542132	ASM, COMPLETE DECK IDLER DETAIL ON PG 27
8	543374	ANCHOR, SPRING 1.46
9	542147	ASM, 150MM FLAT IDLER W/SPACER DETAIL ON PG 29
10	542025	ASM, DECK STRUT
11	B6182-16	NYLOC NUT M16
12	SABJK16C	ROD END, SPHERICAL 16MM
13	B5782-1665	SCREW, HH M16 X 65
14	B6170-16	NUT, M16
15	B5787-825	SCREW, HH FLANGE M8 X 25
16	B6183-8	NUT, FLANGED NYLOC M8
17	5201055	AXLE PIN WELDMENT
18	542113	52" DECK W/DECALS
19	B801-1060	BOLT, CARRIAGE M10 X 60
20	543046-2	BAFFLE, BIRDWING LH, PTD
21	B801-820	BOLT, CARRIAGE SN M8 X 20
22	B801-12120	BOLT, CARRIAGE M12 X 120
23	542014	ASM, SPINDLE HOUSING DETAIL ON PG 25
24	543293	BLADE, STD 18.0"
25	542123	DRIVER, BLADE
26	103038	WASHER, FLAT .530 X 1.75 X .125
27	105502	WASHER, SPRING DISC 1/2
28	100537	1/2-20 X 2-1/2 HHCS
29	543213-2	BAFFLE, DOGLEG 52, RED
30	543225	ROLLWER, ANTI SCALP
31	B5782-12120	SCREW, HH M12 X 120
32	B5787-1030	SCREW, HH FLANGE M12 X 30
33	6001050A	ASM, DISCHARGE CHUTE 52/60
34	B97.1-8	WASHER 8
35	B6182-8	NUT, NYLOC M8
36	6001054A	OUTER BRACKET, DISCHARGE CHUTE
37	6001053	DISCHARGE CHUTE (RUBBER)
38	B12-835	HEX HE BOLT M8 X 35
39	6001052A	INNER BRACKET, DISCHARGE CHUTE
40	543014	SPACER, BLADE DRIVE
41	543013	SHEAVE, BLADE DRIVE 6.23
42	543337	SPACER, SPLINED
43	109047	NUT, FLANGED SIDELOCK 5/8-18 UNF
44	B5783-816	SCREW, HH TAP M8 X 16

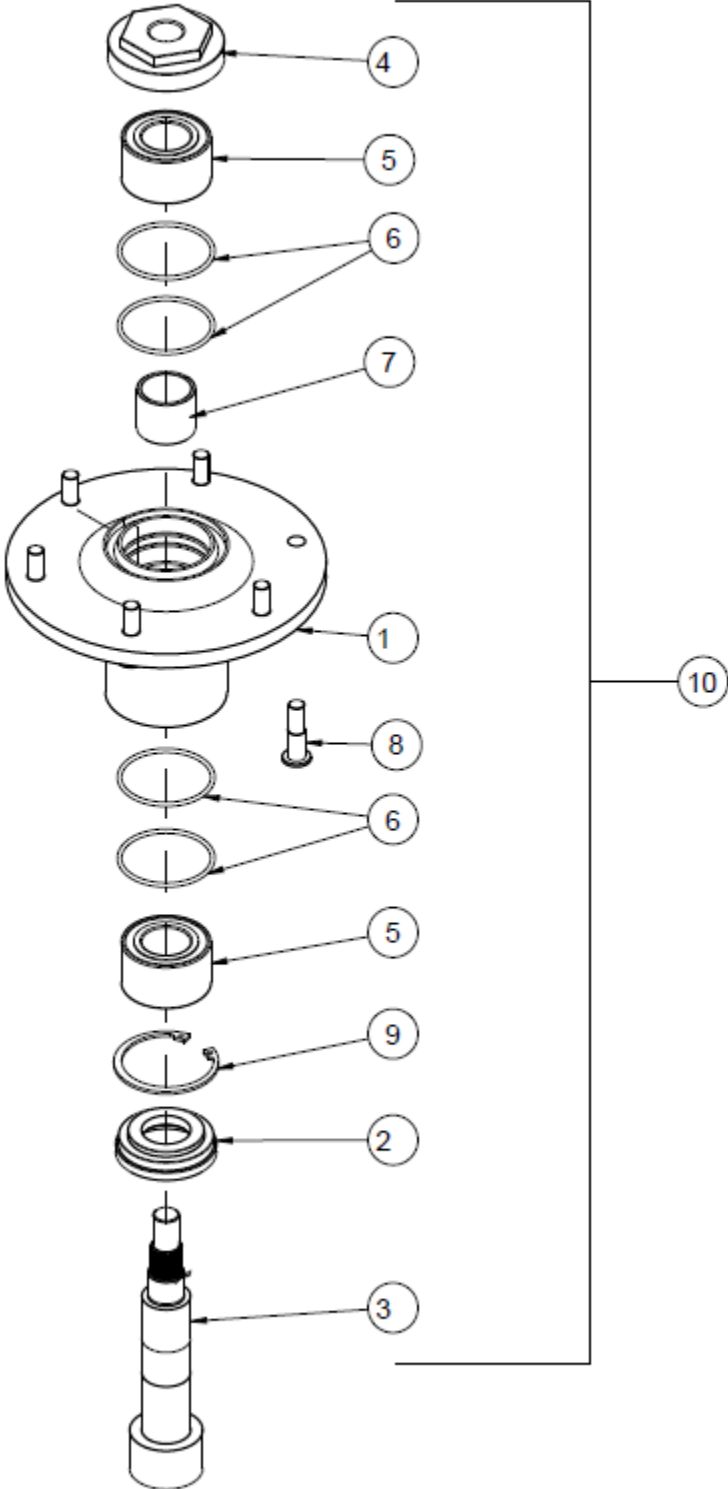
60" DECK ASSEMBLY



60" DECK ASSEMBLY

ITEM	PART NO.	DESCRIPTION
1	543103	BELT, DECK 60"
2	542116	BELT SHIELD LONG W/DECALS
3	B6183-10	NUT, NYLOC FLANGE M10
4	542147	ASM, 150MM FLAT IDLER W/SPACER DETAIL ON PG 29
5	B6182-16	NYLOC NUT M16
6	SABJK16C	ROD END, SPHERICAL 16MM
7	B5782-1665	SCREW, HH M16 X 65
8	B6170-16	NUT M16
9	542025	ASM, DECK STRUT
10	5201055	AXLE PIN WELDMENT
11	B5787-825	SCREW, HH FLANGE M8 X 25
12	B6183-8	NUT, FLANGED NYLOC M8
13	542114	60" DECK W/DECALS
14	543217-2	BAFFLE, BIRDWING 60, RED
15	B801-1060	BOLT, CARRIAGE M10 X 60
16	B801-12120	BOLT, CARRIAGE M12 X 120
17	B801-820	BOLT, CARRIAGE SN M8 X 20
18	542125	IDLER, FLAT 175MM W/NEW SPACER DETAIL ON PG 30
19	5202029	SCREW, HH CAP M12 X 185
20	105502	WASHER, SPRING DISC 1/2
21	100537	1/2-20 X 2-1/2 HHCS
22	103038	WASHER, FLAT .530 X 1.75 X .125
23	542123	DRIVER, BLADE
24	543294	BLADE, STD 20.5"
25	542014	ASM, SPINDLE HOUSING DETAIL ON PG 25
26	423023	ROLER, ANTI SCALP
27	543214-2	BAFFLE, DOGLEG 60, RED
28	B6183-12	NUT, NYLOC FLANGE M12
29	543225	ROLLER, ANTI SCALP
30	B5787-12120	SCREW, HH FLANGE M12 X 120
31	B5787-1030	SCREW, HH FLANGE M10 X 30
32	6001050A	ASM, DISCHARGE CHUTE 52/60
33	B97.1-8	WASHER 8
34	B6182-8	NUT, NYLOC M8
35	6001054A	OUTER BRACKET, DISCHARGE CHUTE
36	6001053	DISCHARGE CHUTE (RUBBER)
37	B12-835	HEX HD BOLT M8 X 35
38	6001052A	INNER BRACKET, DISCHARGE CHUTE
39	543080	SHEAVE, BLADE DRIVE 6.86
40	543337	SPACER, SPLINED
41	543374	ANCHOR, SPRING 1.46
42	5201002	SPRING, EXTENSION
43	543014	SPACER, BLADE DRIVE
44	109047	NUT, FLANGE SIDELOCK 5/8-18 UNF
45	542115	BELT SHIELD SHORT W/DECALS
46	542132	ASM, COMPLETE DECK IDLER DETAIL ON PG 27
47	B5783-816	SCREW, HH TAP M8 X 16

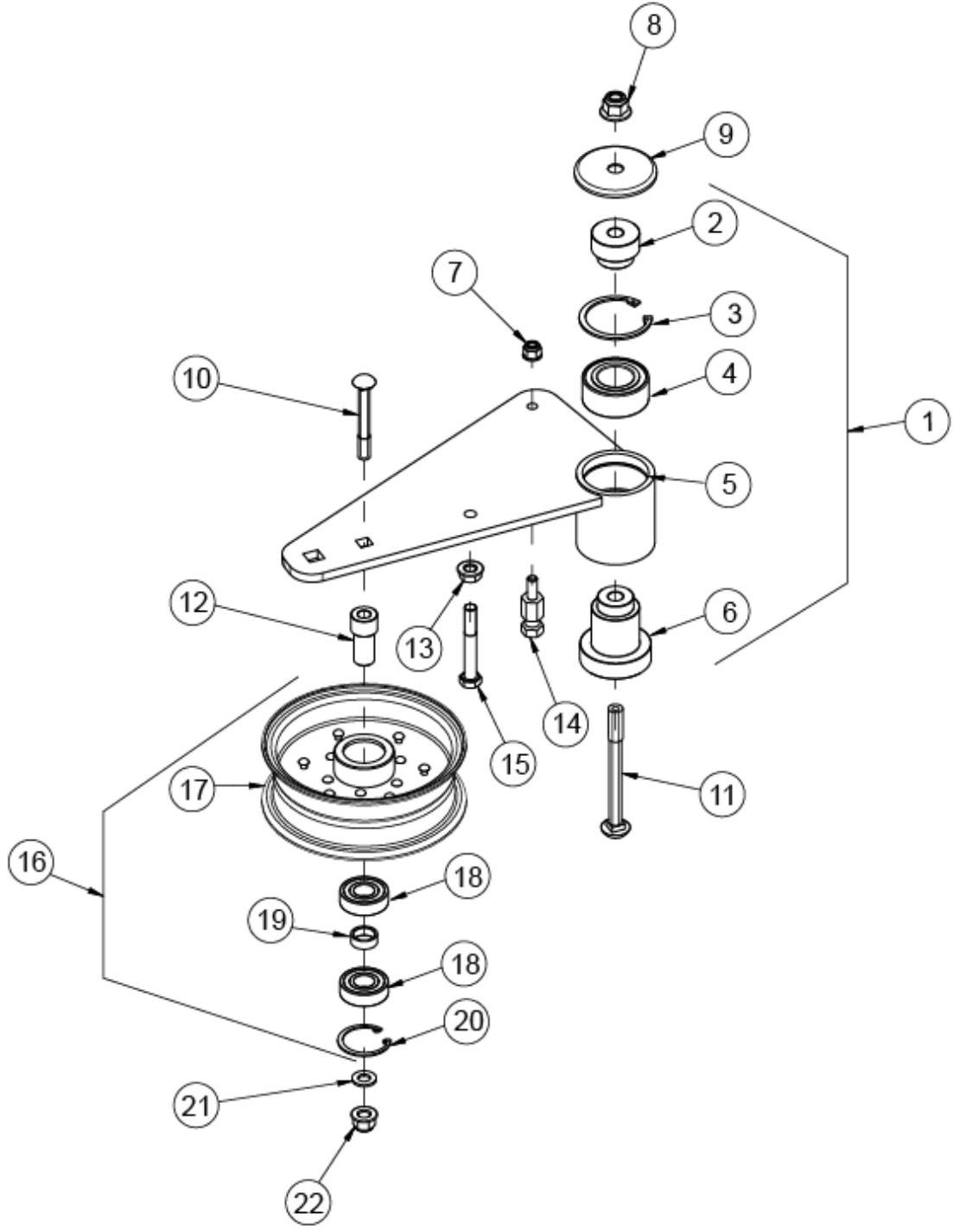
SPINDLE HOUSING ASSEMBLY



SPINDLE HOUSING ASSEMBLY

ITEM	PART NO.	DESCRIPTION
1	542012	HOUSING, CUTTER WITH STUDS
2	543008	GUARD, BOTTOM
3	543009	SPINDLE
4	543010	NUT, SPINDLE
5	543166	BEARING, DAC3055RK
6	B3452.1-545X265	O-RING 54.5 X 2.65
7	543237	SPACER
8	543015	STUD, WHEEL 10MM
9	B893.2-60	RING, SNAP INTERNAL 60mm
10	542014	ASM, CUTTER HOUSING

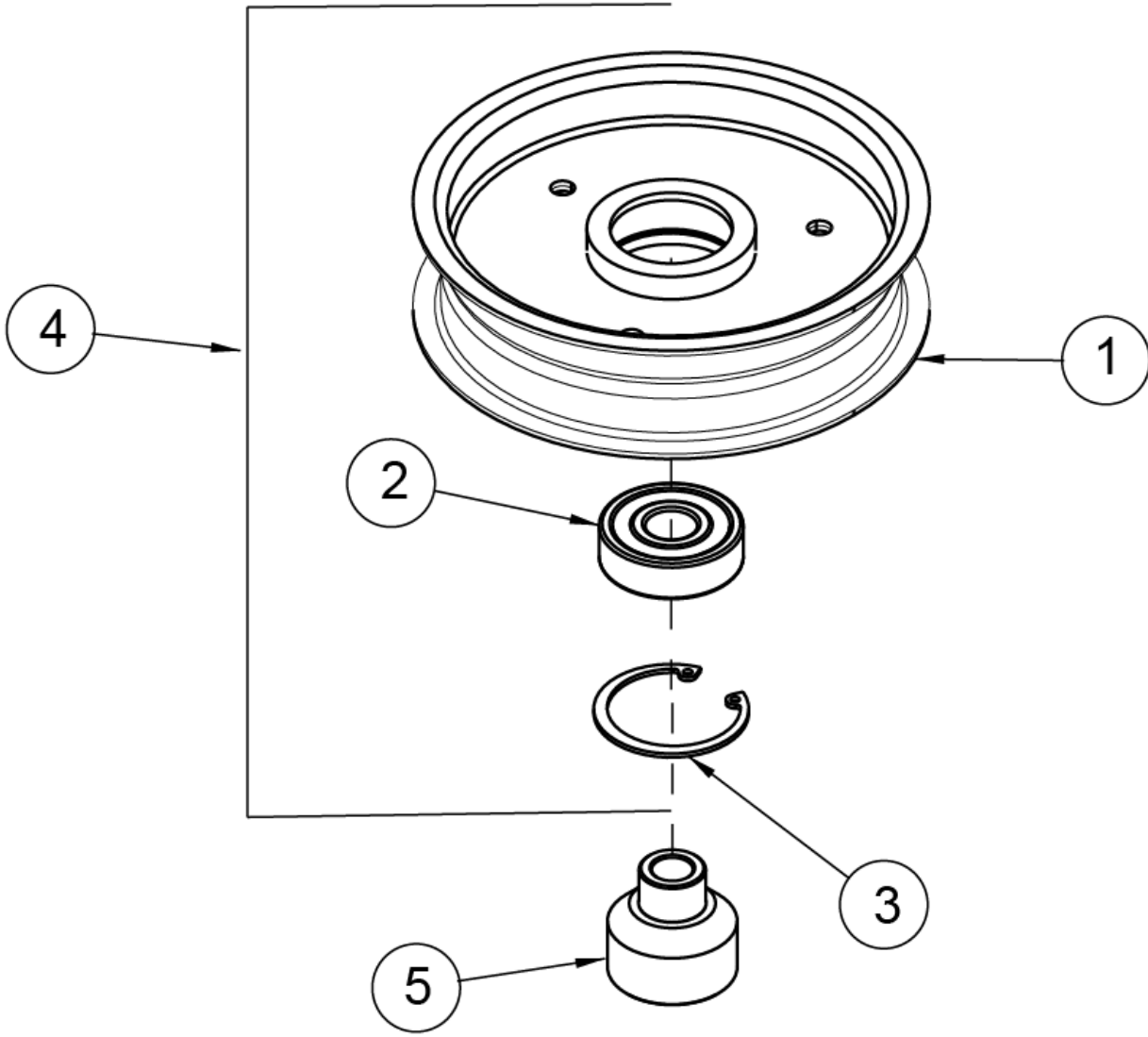
DECK IDLER ASSEMBLY



DECK IDLER ASSEMBLY

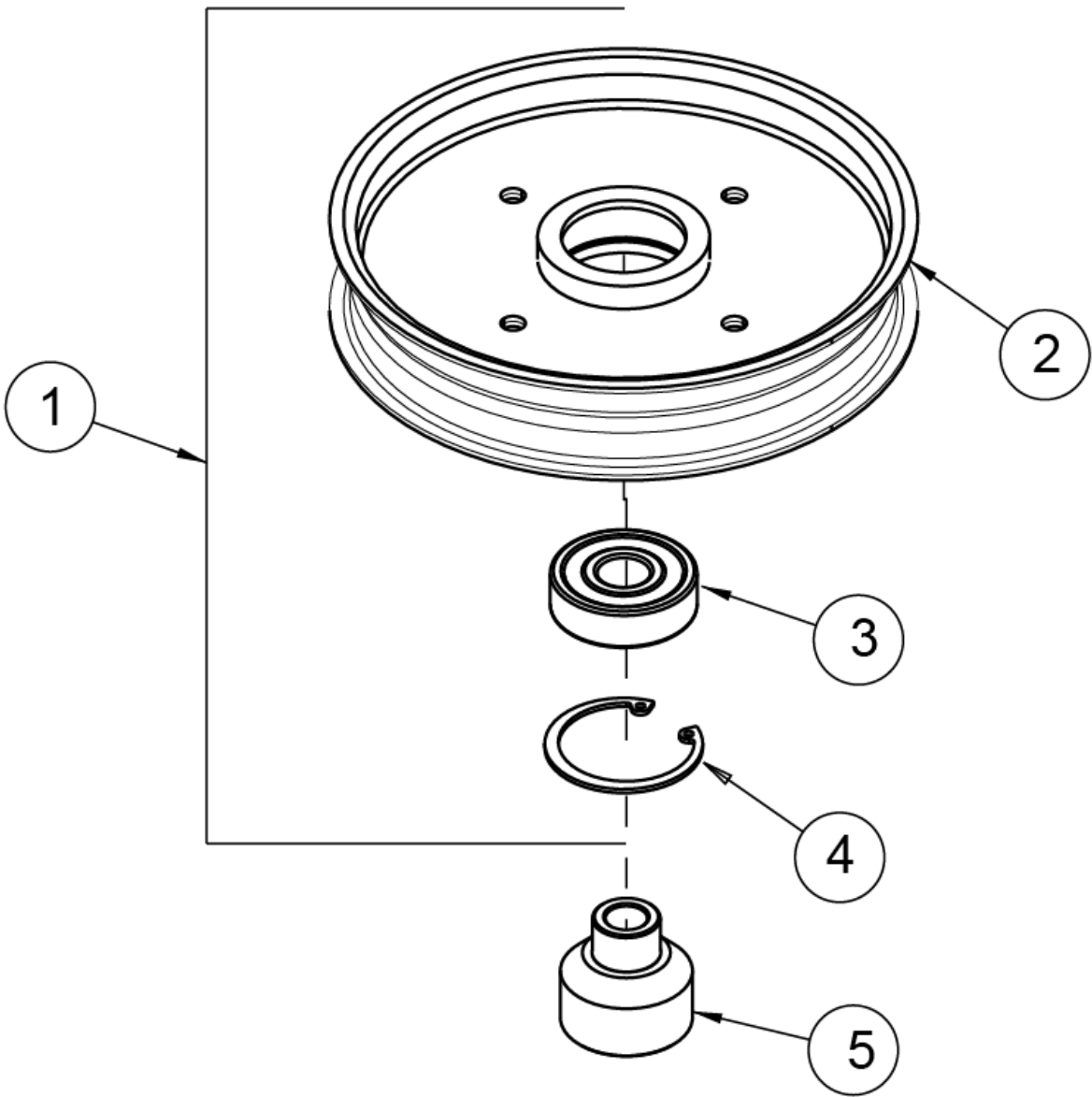
ITEM	PART NO.	DESCRIPTION
1	542131	ASM, DECK IDLER
2	543096	SPACER, STEPPED
3	B893.2-56	RING, SNAP 56MM
4	543236	BEARING, 30BD40DF2
5	542130	WLD, DECK IDLER
6	543463	SPACER, TALL IDLER
7	B6183-8	NUT, FLANGED NYLOC M8
8	B6183-12	NUT, NYLOC FLANGE M12
9	543099	CAP, DUST
10	B801-1075	BOLT, CARRIAGE M10 X 75
11	B801-12120	BOLT, CARRIAGE M12 X 120
12	543462	SPACER, PULLEY
13	B6177-10	NUT, FLANGED M10
14	543100	ANCHOR, SPRING .91
15	B5782-1070	HEX HD BOLT M10- X 70
16	542134	ASM, PULLEY 150MM X 48MM W/BEARINGS
17	542133	ASM, PULLEY 150MM X 48MM
18	B276-6203RS	BEARING 6203-2RS
19	5201077	BUSHING
20	B893.1-40	SNAP RING 40
21	B97.1-10	WSHER, FLAT M10
22	B6183-10	NUT, NYLOC FLANGE M10

LEFT DECK IDLER



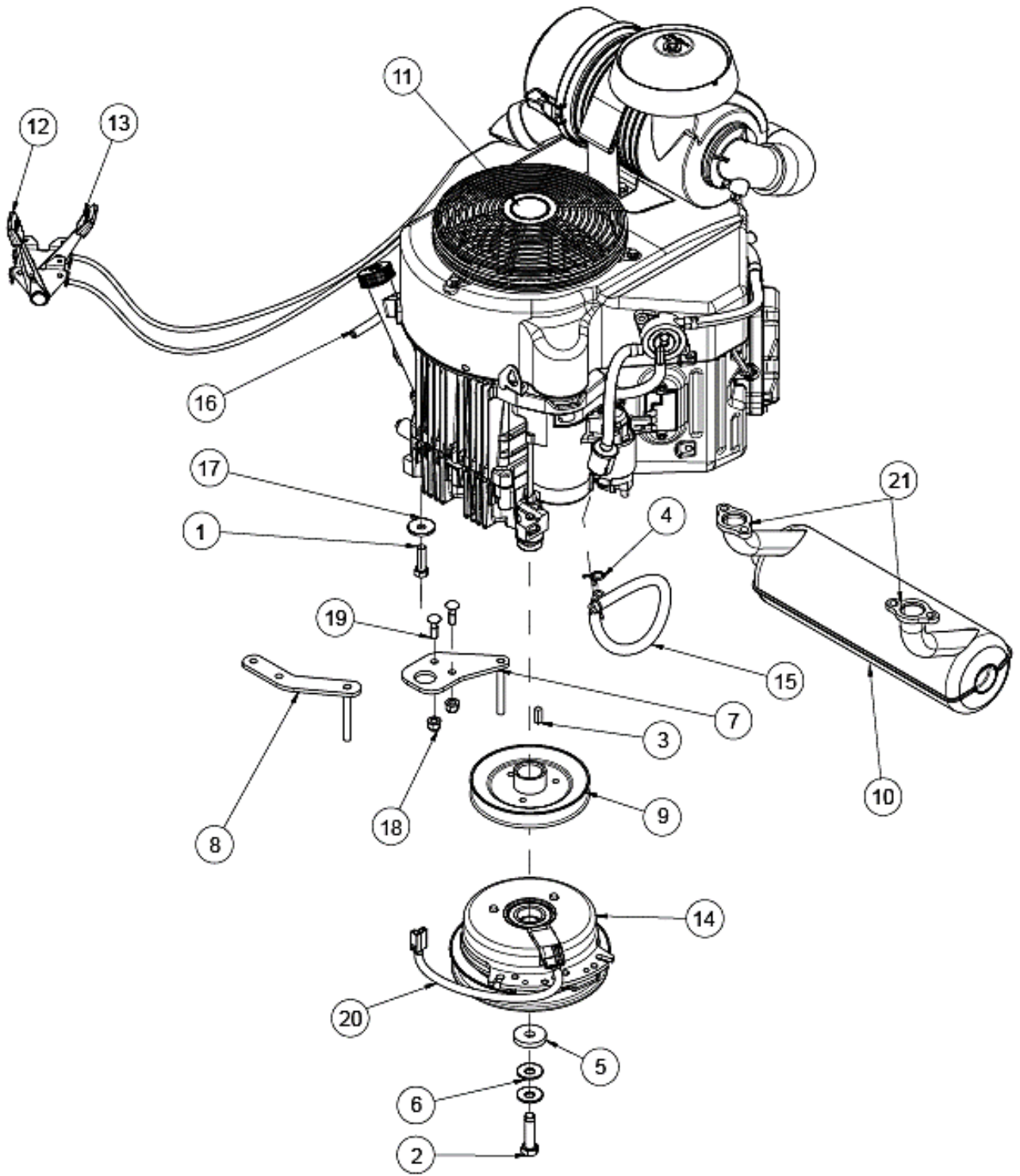
ITEM	PART NO.	DESCRIPTION
1	542137	WLD, FLAT IDLER 150MM
2	B276-6303RS	BEARING 6303-2RS
3	B893.2-47	SNAP RING 47
4	542138	IDLER, FLAT 150MM W/BEARING
5	543450	SPACER, IDLER

LEFT DECK IDLER



ITEM	PART NO.	DESCRIPTION
1	542125	IDLER, FLAT 175MM W/NEW SPACER
2	542032	WLD, FLAT IDLER 175MM
3	B276-6303RS	BEARING 6303-2RS
4	B893.2-47	SNAP RING 47
5	543450	SPACER, IDLER

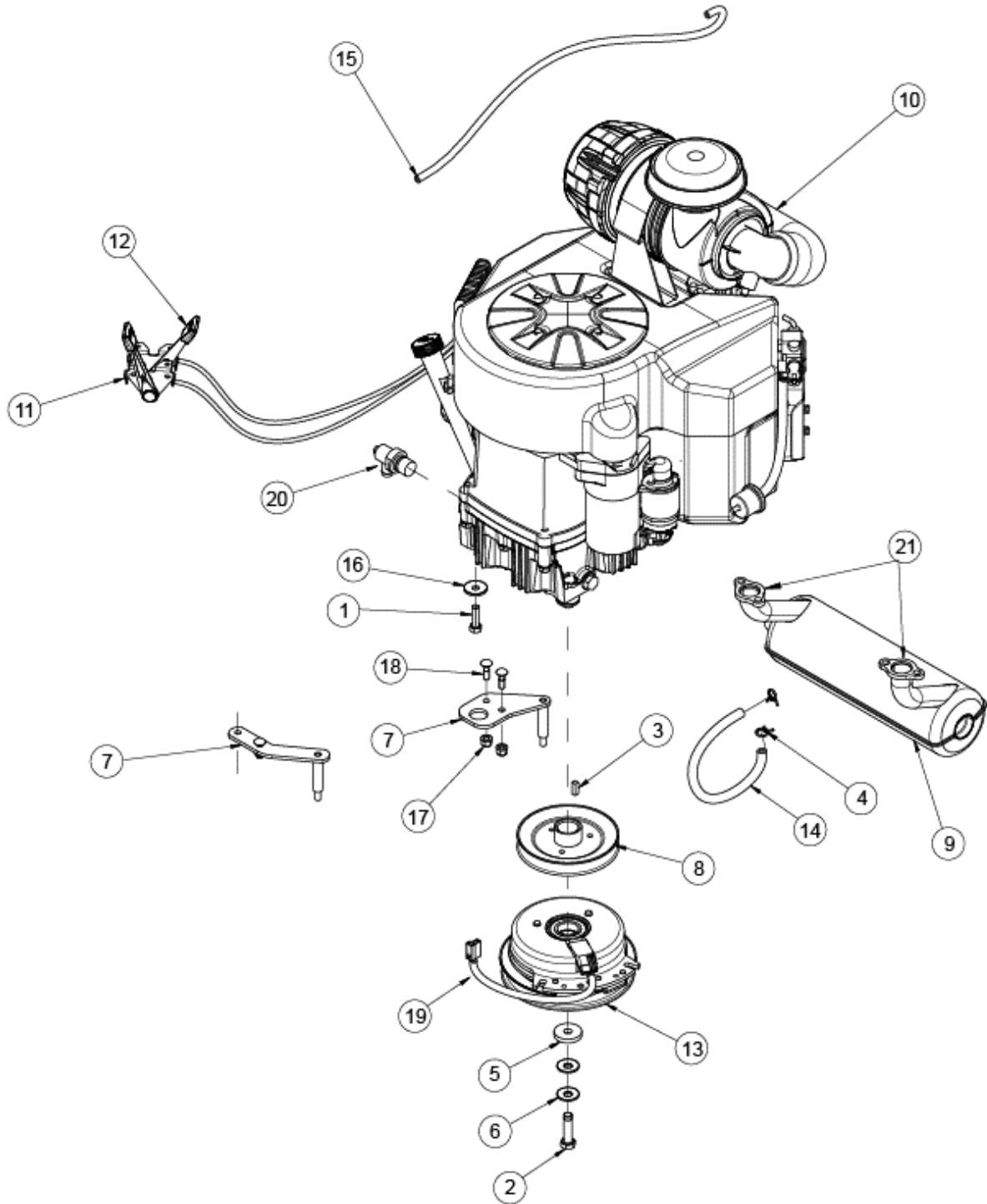
ENGINE ASSEMBLY FX730V



ENGINE ASSEMBLY FX730V

ITEM	PART NO.	DESCRIPTION
1	100293	3/8-16 X 1-1/4 HHCS
2	100533	7/16-20 X 1-3/4 HHCS
3	107258	1/4 X 1/4 X 3/4 MACH KEY
4	363098	CLAMP, FUEL LINE 1/4 ID
5	423068	CLUTCH WASHER
6	423069	WASHER, SPRING DISC.- 7/16
7	542076	WLD, CLUTCH ANCHOR 3400 MODELS
8	542077	WLD, CLUTCH ANCHOR 5400
9	543003	SHEAVE, PUMP DRIVE FOR 3400 HYDRO MODELS
	543411	SHEAVE, PUMP DRIVE FOR 5400 HYDRO MODELS
10	543183	MUFFLER, KAW 726cc
	543184	MUFFLER, KAW 852cc
11	FOR REFERENCE ONLY	ENGINE
12	543250	CABLE, THROTTLE
13	543251	CABLE, CHOKE
14	543288	CLUTCH, MS200 W/PIGTAIL
15	583470	HOSE, FUEL 1/4 ID X 13
16	623418	HOSE, FUEL 3/16 ID X 29
17	753027	WASHER, SPRING DISC
18	B6183-8	NUT, FLANGED NYLOC M8
19	B801-825	BOLT, CARRIAGE SN M8X25
20	543364	HARNESS, CLUTCH PIGTAIL
21	483098	MUFFLER GASKET

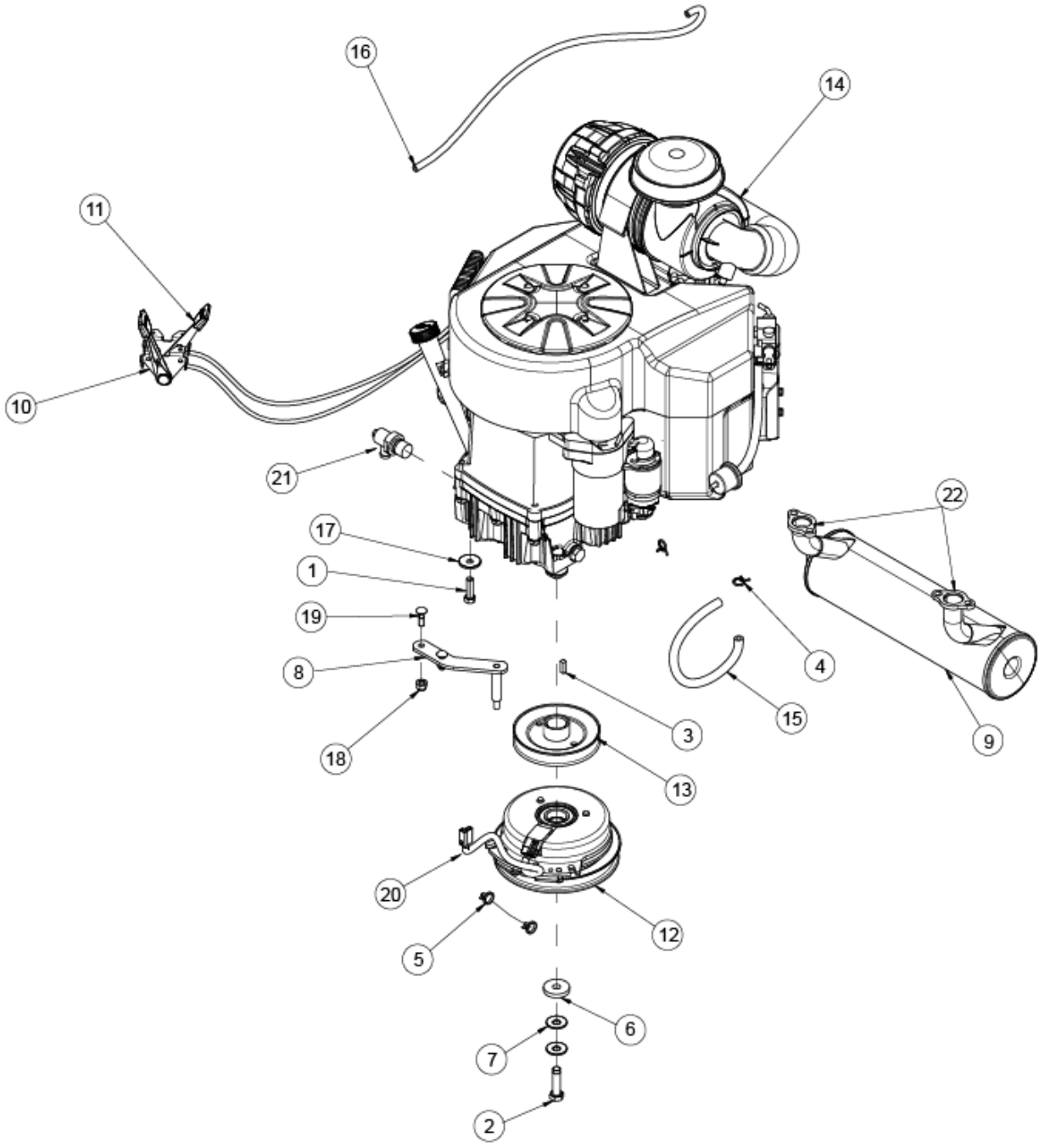
ENGINE ASSEMBLY FX801V



ENGINE ASSEMBLY FX801

ITEM	PART NO.	DESCRIPTION
1	100293	3/8-16 X 1-1/4 HHCS
2	100533	7/16-20 X 1-3/4 HHCS
3	107258	1/4 X 1/4 X 3/4 MACH KEY
4	363098	CLAMP, FUEL LINE 1/4 ID
5	423068	CLUTCH WASHER
6	423069	SPRING DISC. WASHER - 7/16
7	542076	WLD, CLUTCH ANCHOR 3400
	542077	WLD, CLUTCH ANCHOR 5400
8	543003	SHEAVE, PUMP DRIVE
	543411	SHEAVE, HYDRO DRIVE - 5400
9	543183	MUFFLER, KAW 726CC
	543184	MUFFLER, KAW 852 CC
10	FOR REFERENCE ONLY	ENGINE FX801V
11	543250	CABLE, THROTTLE
12	543251	CABLE, CHOKE
13	543288	CLUTCH, MS200 W/PIGTAIL
14	583470	HOSE, FUEL 1/4 ID X 13
15	623418	3/16" FUEL LINE DSL - 29"
16	753027	SPRING DISC WASHER
17	B6183-8	NUT, FLANGED NYLOC M8
18	B801-825	BOLT, CARRIAGE SN M8X25
19	543364	HARNESS, CLUTCH PIGTAIL
20	343146	90 DEGREE DRAIN -KAW BLK
21	483098	MUFFLER GASKET - 19,21,23,25 KAW

ENGINE ASSEMBLY FX850V



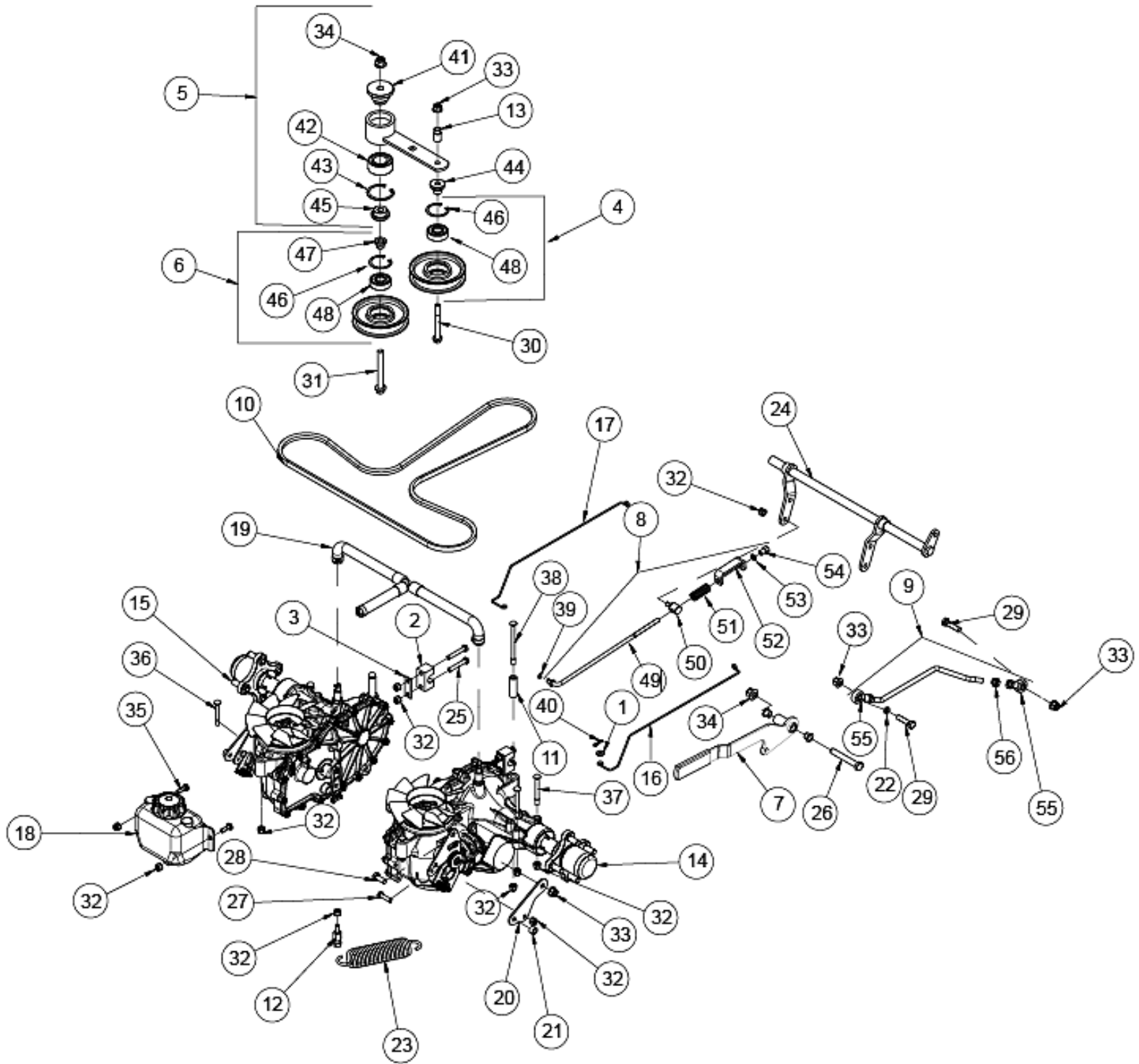
ENGINE ASSEMBLY FX850V

ITEM	PART NO.	DESCRIPTION
1	100293	3/8-16 X 1-1/4 HHCS
2	100533	7/16-20 X 1-3/4 HHCS
3	107258	1/4 X 1/4 X 3/4 MACH KEY
4	363098	CLAMP, FUEL LINE 1/4 ID
5	363222	PLASTIC TIE
6	423068	CLUTCH WASHER
7	423069	SPRING DISC. WASHER - 7/16
8	542077	WLD, CLUTCH ANCHOR 5400
9	543184	MUFFLER, KAW 852 CC
10	543250	CABLE, THROTTLE
11	543251	CABLE, CHOKE
12	543288	CLUTCH, MS200 W/PIGTAIL
13	543411	SHEAVE, HYDRO DRIVE - 5400
14	FOR REFERENCE ONLY	ENGINE, KAW FX850V
15	583470	HOSE, FUEL 1/4 ID X 13
16	623418	3/16" FUEL LINE DSL - 29"
17	753027	SPRING DISC WASHER
18	B6183-8	NUT, FLANGED NYLOC M8
19	B801-825	BOLT, CARRIAGE SN M8X25
20	543364	HARNESS, CLUTCH PIGTAIL
21	343146	90 DEGREE DRAIN -KAW BLK
22	483098	MUFFLER GASKET - 19,21,23,25 KAW

FUEL ASSEMBLY – FX730 - FX801 – FX850

ITEM	PART NO.	DESCRIPTION
1	5204019	GAS CAP-EPA
2	363098	CLAMP, FUEL LINE 1/4 ID
3	542117	CONTROL PANEL W/DECALS
4	543375	ASM, FUEL TANK LH ENCORE
5	543376	ASM, FUEL TANK RH ENCORE
6	543323	HOSE, FUEL 1/4 ID X 14.5
7	543328	HOSE, FUEL 1/4 ID X 32.5
8	543361	HOSE, VENT 3/16 ID X 15
9	543362	HOSE, VENT 3/16 ID X 36
10	583050	FUEL VALVE
11	5204010	TEE, HOSE 3/16 ID
12	543277-1	CUP HOLDER, BLACK
13	B1972-A16	WASHER, SPRING DISC A16-1
14	B5787-612	SCREW, FLANGED HH M6 X 12
15	B818-816	SCREW, PAN HEAD PHILLIPS M8 X 16
16	543308	MODULE, SEAT DELAY
17	543283	ASM, FUEL VENT W/GROMMET
18	533125	VALVE GROMMET - VITON
19	543306	FITTING, 90° FUEL W/TUBE 10"
20	523031	PTO SWITCH
21	107527	BOLT, CARRIAGE #10-24 X 1/2
22	453417	METER, MS HOUR
23	5208003	IGNITION SWITCH (ELECT)
24	104252	#10-24 HEX NYLOC NUT
25	543278	GAUGE, FUEL 8.5"
NOT SHOWN	5204047	GROMMET, FUEL GAUGE

3400 HYDRO ASSEMBLY



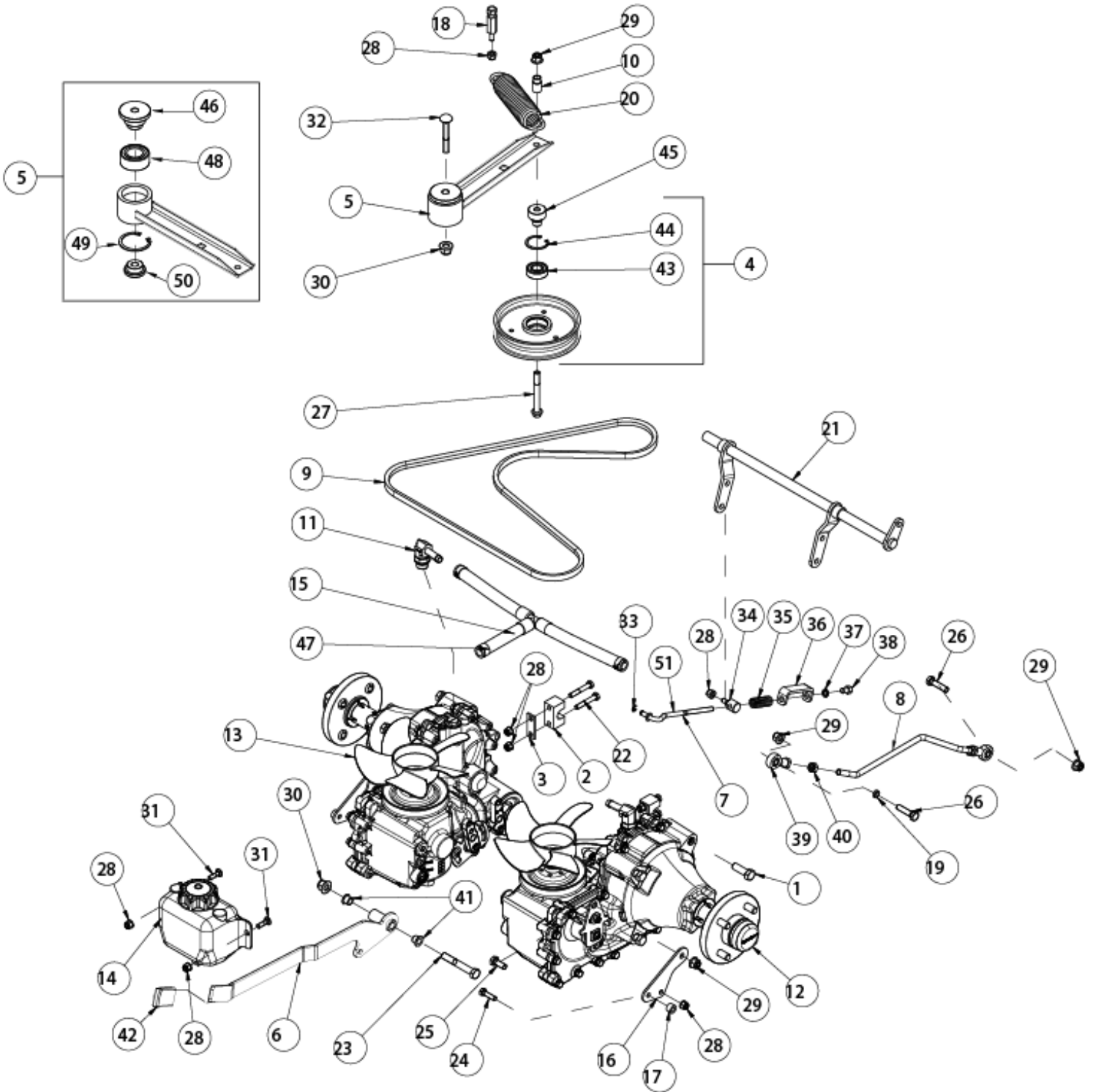
3400 HYDRO ASSEMBLY

ITEM	PAR NO.	DESCRIPTION
1	105257	5/16 SAE FLAT WASHER
2	353028	PIVOT BLOCK
3	353047	PIVOT BLOCK PLATE
4	542050	IDLER, FLAT 110MM W/SPACER
5	542053	ASM, HYDRO IDLER 3400
6	542054	IDLER, FLAT 110MM W/SPACER
7	542067	ASM, BRAKE LEVER
8	542093	ASM, BRAKE LINK 3400
9	542103	ASM, BRAKE ROD
10	543006	BELT, HYDRO
11	543076	SPACER
12	543100	ANCHOR, SPRING .91
13	543169	SPACER
14	543210	HYDRO, ZT 3400 LH
15	543211	HYDRO, ZT 3400 RH
16	543227	RELEASE, HYDRO LH
17	543228	RELEASE, HYDRO RH
18	543285	TANK, HYDRO OVERFLOW 1 QT
19	543286	ASM, HYDRO VENT 3400
20	543315	EXTENSION, CONTROL ARM
21	543316	SPACER
22	4801302	SPACER
23	5201002	SPRING, EXTENSION
24	542099-1	WLD, CROSS SHAFT BRAKE, BLACK
25	B5787-850	HEX FLANGE HD BOLT M8 X 50
26	B5782-1280	SCREW, HH M12 X 80
27	B5783-830	SCREW, HH TAP M8 X 30
28	B5783-1025	SCREW, HH TAP M10 X 25
29	B5783-1040	BOLT, M10 X 40
30	B5787-1090	SCREW, H FLANGE M10 X 90
31	B5787-12100	SCREW, HH FLANGE M12 X 100
32	B6183-8	NUT, FLANGED NYLOC M8
33	B6183-10	NUT, NYLOC FLANGE M10
34	B6183-12	NUT, FLANGE M12
35	B801-825	BOLT, CARRIAGE SN M8 X 25
36	B801-860	BOLT, CARRIAGE SN M8 X 60
37	B801-875	BOLT, CARRIAGE SN M8 X 75
38	B801-8110	BOLT, CARRIAGE SN M8 X 110
39	B896-6	E-CLIP 6
40	XSZ56-1-17	HAIR PIN
41	543162	SPACER, STEPPED
42	543236	BEARING, 30BD46DF2
43	B893.2-56	RING, SNAP 56MM

3400 HYDRO ASSEMBLY

ITEM	PART NO.	DESCRIPTION
44	543163	SPACER, STEPPED
45	543164	SPACER, STEPPED
46	B893.2-47	SNAP RING 47
47	543167	SPACER, STEPPED
48	B276-6303RS	BEARING 6303-2RS
49	543200	LINK, BRAKE 3400
50	543201	SWIVEL, BRAKE
51	523024	SPRING, COMPRESSION
52	543386	RETAINER, BRAKE SPRING
53	363177	3/8 PUSH NUT
54	543387	NUT, BRAKE SPRING
55	543430	EMD, SPHERICAL ROD M10
56	B6170-10	NUT M10 X 1

5400 HYDRO ASSEMBLY



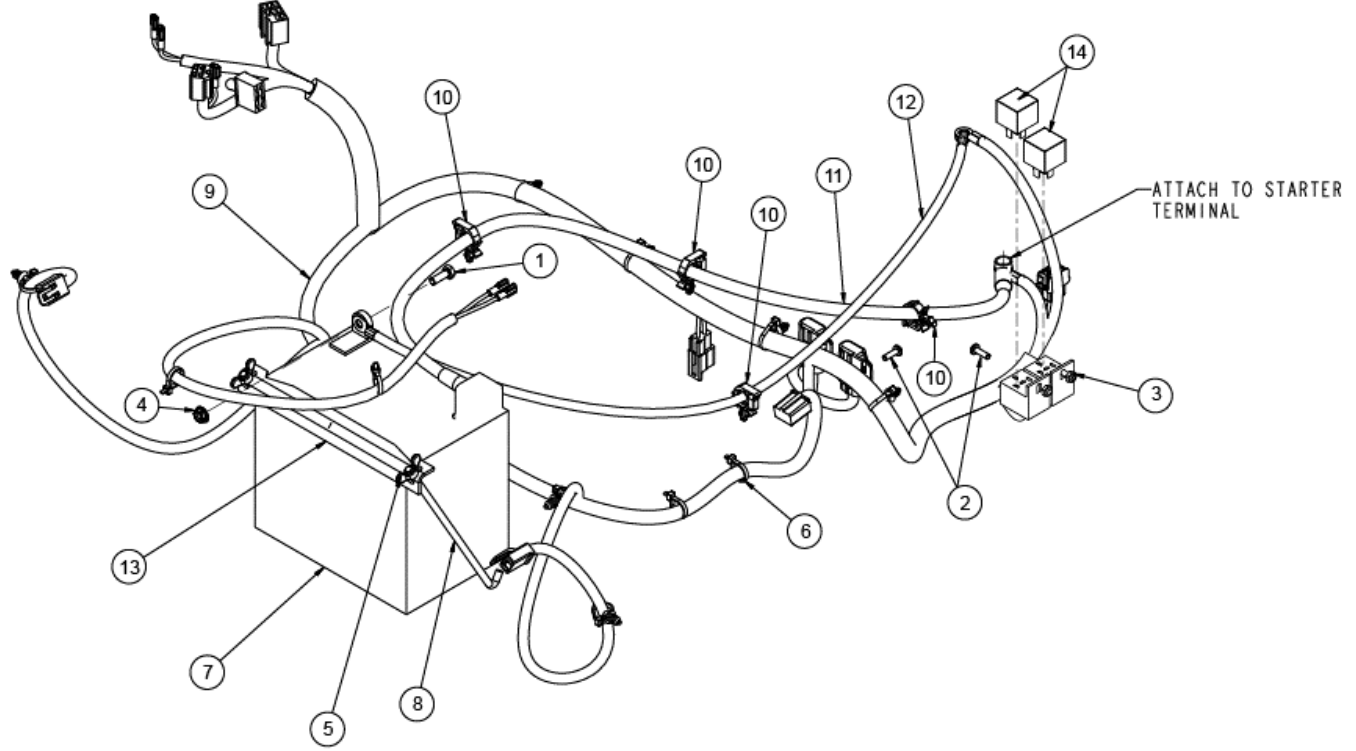
5400 HYDRO ASSEMBLY

ITEM	PART NO.	DESCRIPTION
1	100327	1/2-13 X 1-1/2 HHCS
2	353028	PIVOT BLOCK
3	353047	PIVOT BLOCK PLATE
4	542148	ASM, 150MM FLAT IDLER W/STEP SPACER
5	542126	ASM, HYDRO IDLER 5400
6	542067	ASM, BRAKE LEVER WITH GRIP AND BUSHINGS
7	542094	ASM, BRAKE LINK 5400 COMPLETE
8	542103	ASM, BRAKE ROD COMPLETE
9	543005	BELT, HYDRO
10	543169	SPACER
11	543199	ADAPTER, HYDRAULIC 4601-08-10
12	543208	HYDRO, ZT 5400LH – 1015-1039L
13	543209	HYDRO, ZT 5400 RH – 1015-1039R
14	543285	TANK, HYDRO OVERFLOW 1 QT
15	543287	ASM, HYDRO VENT 5400
16	543315	EXTENSION, CONTROL ARM
17	543316	SPACER
18	543374	ANCHOR, SPRING 1.46
19	4801302	SPACER
20	5201002	SPRING, EXTENSION
21	542099-1	WLD, CROSS SHAFT BRAKE, BLACK
22	B5782-850	SCREW, HH M8x50
23	B5782-1280	SCREW, HH M12 X 80
24	B5783-830	SCREW, HH TAP M8x30
25	B5783-1025	SCREW, HH TAP M10x25
26	B5783-1040	BOLT M10X40
27	B5787-1090	SCREW, HH FLANGE M10 X 90
28	B6183-8	NUT, FLANGED NYLOC M8
29	B6183-10	NUT, NYLOC FLANGE M10
30	B6183-12	NUT, NYLOC FLANGE M12
31	B801-825	BOLT, CARRIAGE SN M8X25
32	B801-1275	BOLT, CARRIAGE SN M12 X 75
33	B896-6	E-CLIP 6
34	543201	SWIVEL, BRAKE
35	523024	SPRING, COMPRESSION
36	543386	RETAINER, BRAKE SPRING
37	363177	3/8 PUSH NUT
38	543387	NUT, BRAKE SPRING
39	543430	END, SPHERICAL ROD M10
40	B6170-10	NUT M10X1
41	543154	BUSHING, MOTION CONTROL
42	543300	GRIP, PARK BRAKE

5400 HYDRO ASSEMBLY

ITEM	PART NO.	DESCRIPTION
43	B276-6303RS	BEARING 6303-2RS
44	B893.2-47	SNAP RING 47
45	543098	SPACER, IDLER
46	543162	SPACER, STEPPED
47	363269	CLAMP, HOSE
48	543236	BEARING, 30BD40DF2
49	B893.2-56	RING, SNAP 56mm
50	543164	SPACER, STEPPED
51	543205	LINK, BRAKE 5400
52	542028	IDLER, FLAT 150 mm

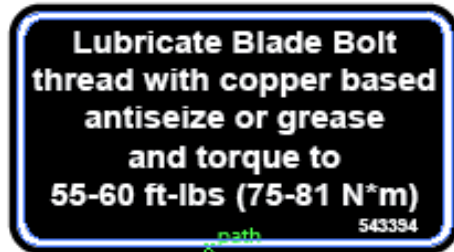
ELECTRICAL ASSEMBLY



ELECTRICAL ASSEMBLY

ITEM	PART NO.	DESCRIPTION
1	100252	1/4-20 X 3/4 HHCS
2	101039	#10-24 X 5/8 MACH SCREW
3	104252	#10-24 HEX NYLOC NUT
4	109000	1/4-20 WHIZLOCK NUT
5	109012	1/4 WING NUT
6	363222	PLASTIC TIE
7	FOR REFERENCE ONLY	BATTERY
8	423172	BATTERY HOLD DOWN ROD - PLATED
9	543267	HARNESS, WIRING
10	543309	CLIP, ROSEBUD LOOM 13MM
11	543329	ASM, BATTERY CABLE POSITIVE
12	543330	CABLE, BATTERY NEGATIVE
13	453419-1	BATTERY HOLD DOWN - BLACK
14	5208042	12V RELAY (USA)

DECAL ASSEMBLY



543394



8307



543433



8324



543391



523493



8303



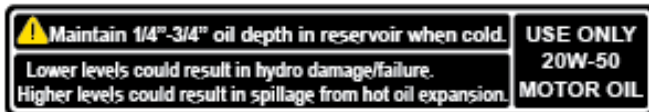
363023



543402



543392



543396



8008



543470



543403



543401

DECAL ASSEMBLY



8304



8318



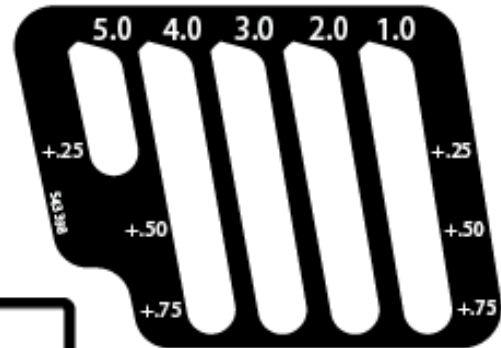
543380



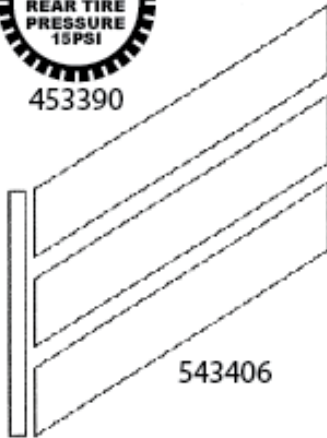
453389



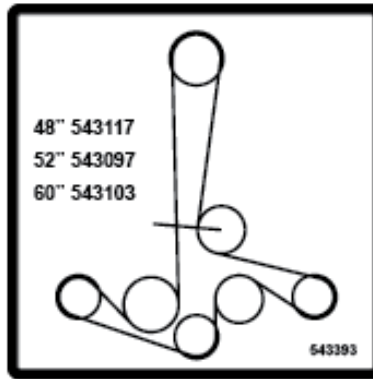
453390



543398



543406



543393



BATTERY CONTAINS SULFURIC ACID. AVOID CONTACT AND ALWAYS SHIELD EYES, FACE AND SKIN FROM BATTERY. CIGARETTES, FLAMES OR SPARKS COULD CAUSE BATTERY TO EXPLODE. DO NOT CHARGE OR USE BOOSTER CABLES WITHOUT PROPER TRAINING. IN EVENT OF AN ACCIDENT FLUSH WITH WATER AND CALL A PHYSICIAN IMMEDIATELY.

543397

543397



363243



543399

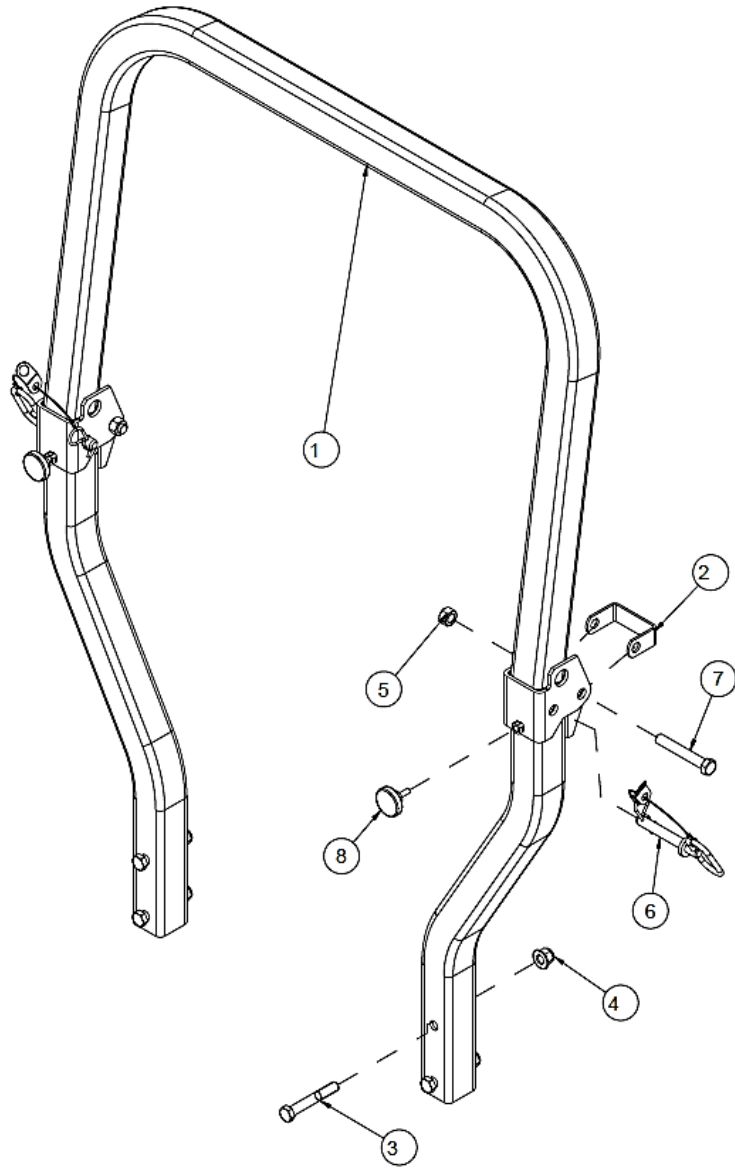


543400



543471

ROPS ASSEMBLY



ITEM	PART NO.	DESCRIPTION
1	541002	ROPS ASSEMBLY, COMPLETE
2	543443	ROPS STOP
3	B5782-1280	SCREW, HH M12 X 80
4	B6183-12	NUT, NYLOC FLANGE M12
5	104259	1/2-13 HEX NYLOC NUT
6	543262	PIN, ROPS W/LANYARD
7	100332	SCREW, HH 1/2-13 X 3-1/4
8	543261	KNOB, ROPS



ENCORE

ALL RIGHTS RESERVED

CONTENTS SUBJECT TO CHANGE

CALIBER PARTS MANUAL

933266 201710