



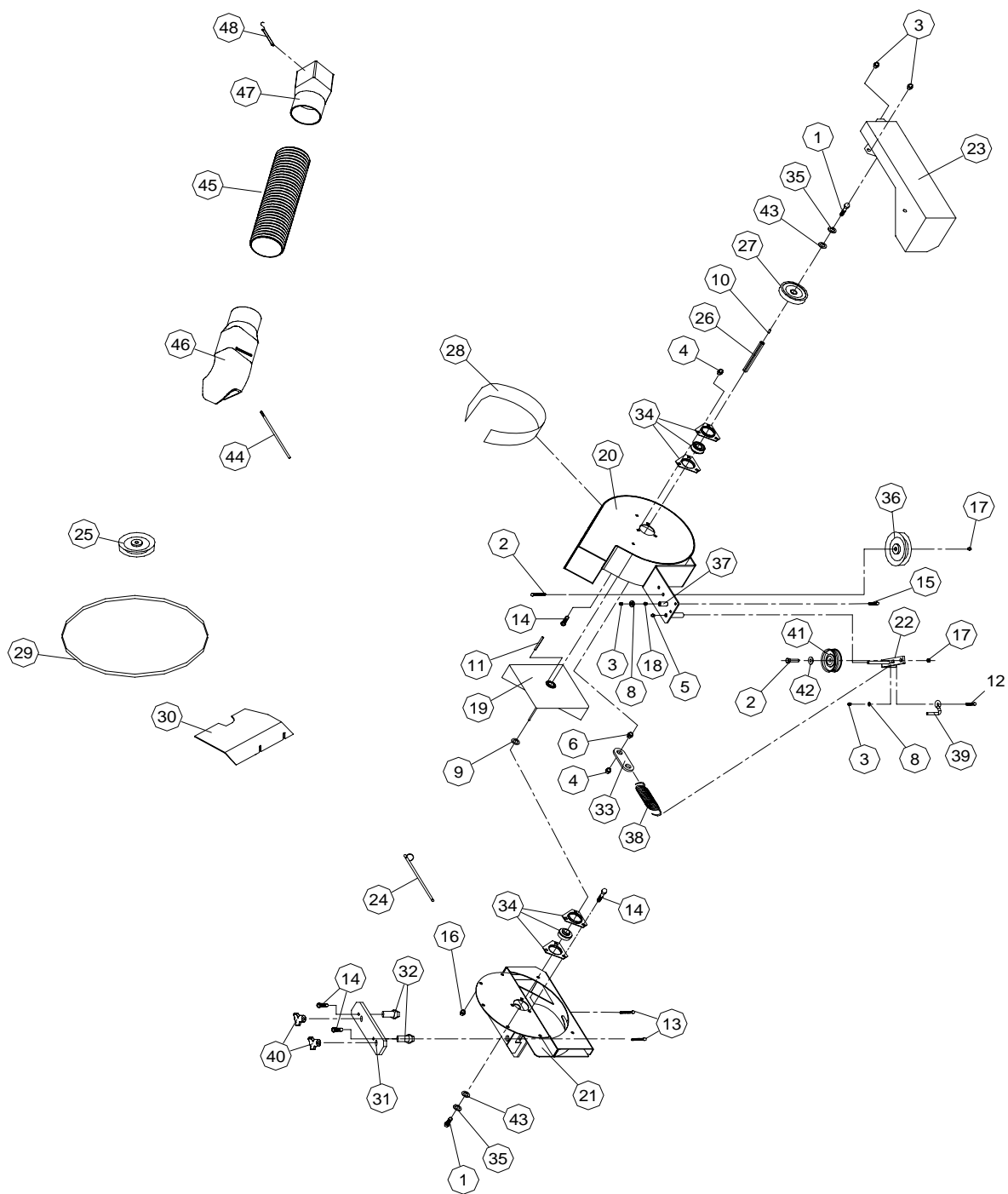
ENCORE 52" X-TREME

3-BAG GRASS CATCHER

PART # 151023

ASSEMBLY AND PARTS DIAGRAMS

52" X-TREME 3-BAG GRASS CATCHER BLOWER ASSY - 154032



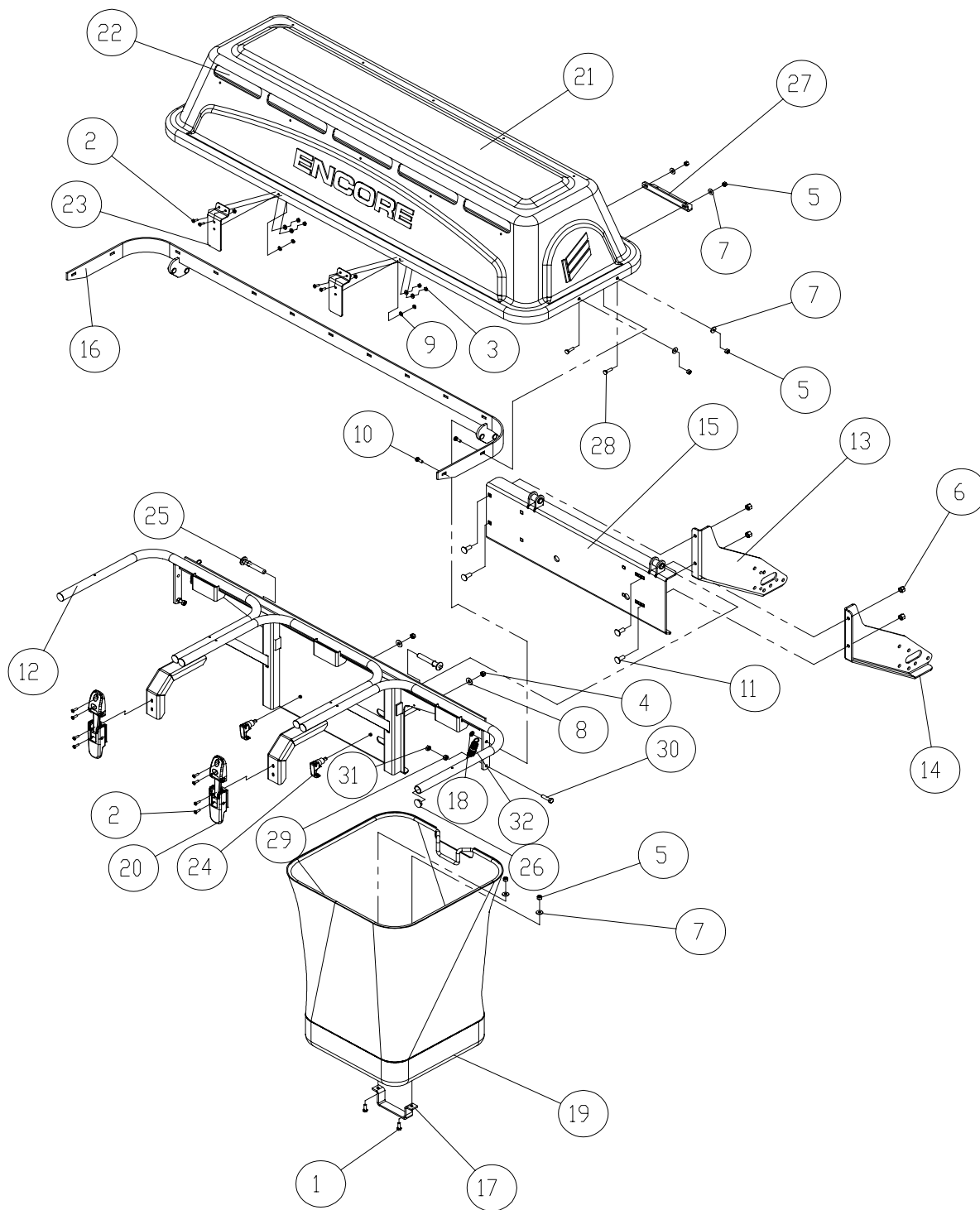
52" X-TREME 3-BAG GRASS CATCHER

BLOWER ASSY - 154032

#	PART NO.	QTY	DESCRIPTION
1	100273	2	5/16-18 X 1 HHCS
2	100294	2	3/8"-16 X 1 1/2" HEX BOLT
3	104255	8	1/4"-20 NYLOC NUT
4	104256	7	5/16-18 NYLOC NUT
5	104257	1	3/8"-16 NYLOC NUT
6	104751	1	5/16-18 JAM NUT
7	-----	--	-----
8	105256	3	1/4" FLAT WASHER
9	105269	1	3/4 SAE FLATWASHER
10	107253	1	3/16" X 3/16" X 1/2" KEY
11	107266	1	3/16 X 3/16 X 2 MACH. KEY
12	107510	1	1/4"-20 X 1" CARRIAGE BOLT
13	107520	2	5/16"-18 X 1 3/4" TAP BOLT
14	107522	8	5/16"-18 X 5/8" CARRIAGE BOLT
15	107523	1	1/4"-20 X 1 1/2" CARRIAGE BOLT
16	109001	4	5/16"-18 WHIZLOCK NUT
17	109007	2	3/8"-16 WHIZLOCK NUT
18	109011	3	1/4 RETAINING CLIP
19	152016	1	IMPELLER
20	152020	1	HOUSING WELDMENT
21	152022	1	MOUNT WELDMENT
22	152024	1	IDLER ARM
23	152027	1	BELT COVER
24	153046	1	RING PIN
25	153131	1	DRIVE PULLEY
26	153066	1	DRIVE SHAFT
27	153072	1	PULLEY(DRIVEN)
28	153110	1	BLOWER LINER
29	153158	1	BLOWER DRIVE BELT
30	153266	1	BLOWER BELT GUARD
31	153133	1	ADAPTER STRAP
32	153135	2	ADAPTER RAM
33	153138	1	SPRING MOUNT
34	153216	2	TRIANGLE FLANGE BEARING
35	363226	2	5/16 DISC SPRING WASHER
36	483025	1	IDLER PULLEY
37	523144	1	PIVOT BUSHING
38	523327	1	SPRING
39	553025	1	BELT GUIDE
40	753028	2	KNOB
41	823351	1	DRIVE IDLER
42	105259	1	3/8 SAE FLATWASHER
43	153240	2	IMPELLER SHAFT WASHER
44	153048	2	GRASS TUBE CLAMP
45	153217	1	GRASS TUBE 6"
46	153211	1	HOOD INLET ADAPTER
47	153212	1	BLOWER HOSE ADAPTER
48	153050	1	BLOWER TIE DOWN

3-BAG GRASS CATCHER

HOOD ASSY - 154030



3-BAG GRASS CATCHER

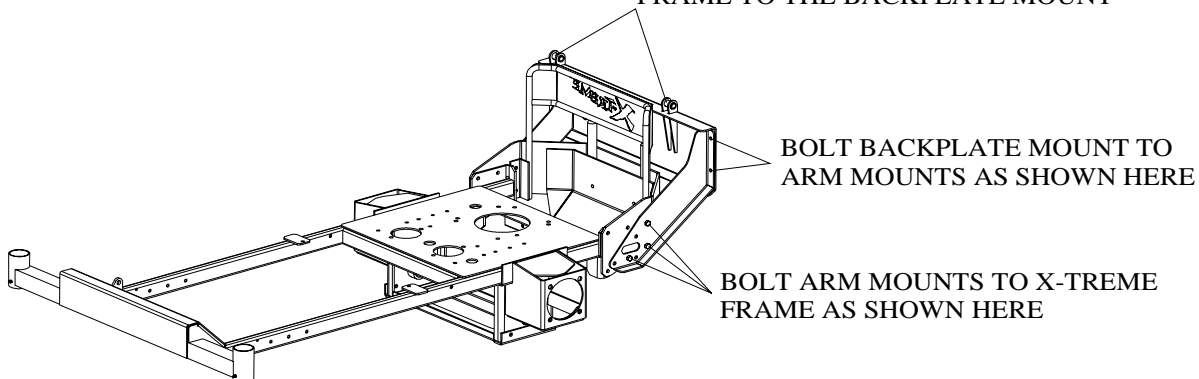
HOOD ASSY - 154030

#	PART NO.	QTY.	DESCRIPTION
1	100252	6	1/4-20 X 3/4 HHCS
2	101039	12	#10-24 X 5/8 PAN HD. SCREW
3	104252	12	#10 NYLOCK NUT
4	104253	2	5/16-24 NYLOC NUT
5	104255	19	1/4-20 NYLOC NUT
6	104257	4	3/8-16 NYLOCK NUT
7	105256	19	1/4 STD FLAT WASHER
8	105257	2	5/16 SAE FLATWASHER
9	105507	6	3/16 POP RIVET BURR
10	107502	9	1/4-20 x 3/4 CARR. BOLT
11	107526	4	1/4-20 X 3/4" CARR BOLT
12	152068	1	3 BAG FRAME W/LATCH
13	152070	1	LEFT ARM MOUNT
14	152072	1	RIGHT ARM MOUNT
15	152074	1	BACK PLATE MOUNT
16	152076	1	3 BAG HOOD STRAP
17	153003	3	BAG HANDLE
18	153045	2	5/16 PUSH NUT
19	153171	3	SEWN BAG W/ FRAME
20	153218	2	HOOD LATCH
21	153241	1	3 BAG HOOD
22	153253	1	3 BAG HOOD SCREEN
23	153255	2	3 BAG UPPER LATCH MNT.
24	153259	2	SWELL LATCH
25	424050	2	DECK HEIGHT PIN ASSY
26	523033	6	HANDLE PLUG
27	153268	2	3 BAG SPRING MOUNT
28	107510	4	1/4-20 x 1 CARRIAGE BOLT
29	109001	2	5/16-18 WHIZLOCK NUT
30	100274	2	5/16-18 X 1-1/4 HHCS
31	104256	2	5/16-18 NYLOCK
32	553007	2	IDLER SPRING

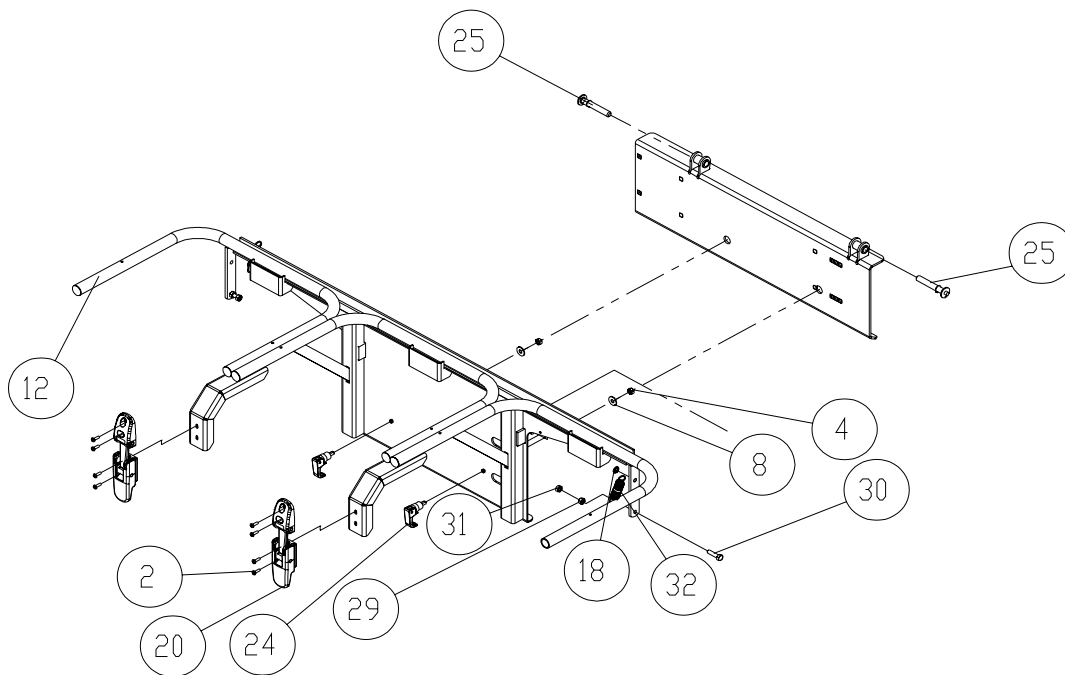
MOUNTING INSTRUCTIONS - X-TREME

3-BAG HOOD ASSEMBLY - 154030

USING THE DECK HEIGHT PIN ASSEMBLIES AND SWELL LATCHES, ATTACH THE 3-BAG FRAME TO THE BACKPLATE MOUNT



NOTE: TO IDENTIFY COMPONENTS IN DIAGRAM BELOW, REFER TO HOOD ASSEMBLY - 154030 IN THE PARTS LIST.

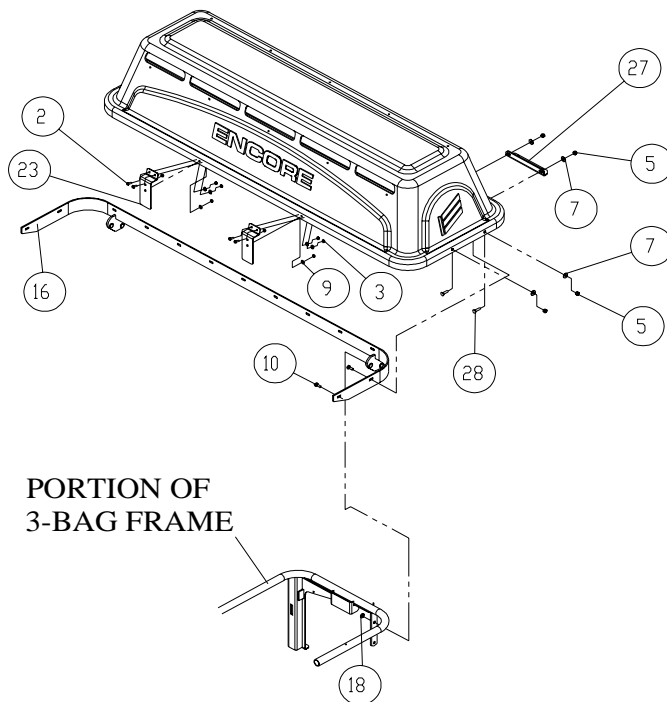


BOLT THE 3-BAG FRAME TO THE BACKPLATE MOUNT USING THE DECK HEIGHT PINS (#25) AND SWELL LATCHES (#24).

MOUNTING INSTRUCTIONS - X-TREME

3-BAG HOOD ASSEMBLY - 154030

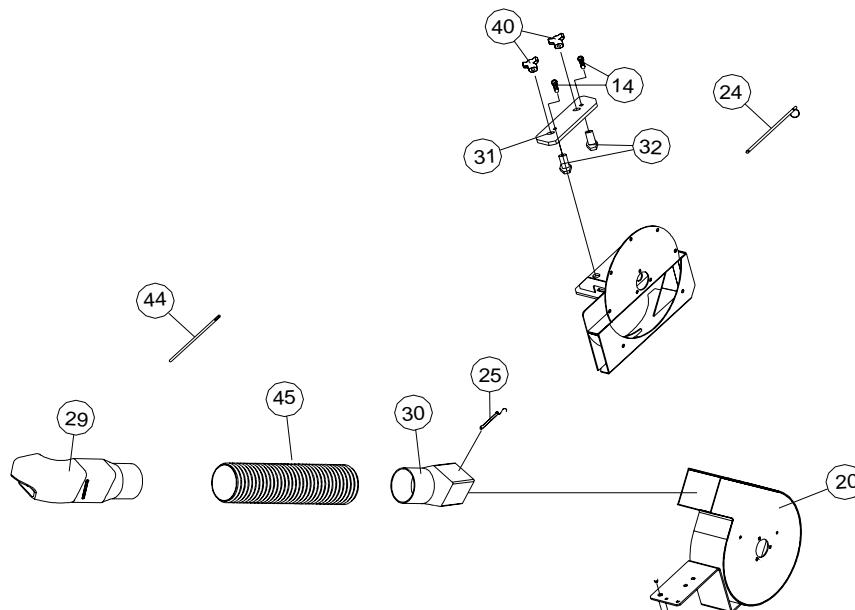
NOTE: TO IDENTIFY COMPONENTS IN DIAGRAM BELOW, REFER TO HOOD ASSEMBLY - 154030 IN THE PARTS LIST.



MOUNTING INSTRUCTIONS - X-TREME

3-BAG BLOWER ASSEMBLY - 154032

NOTE: TO IDENTIFY COMPONENTS IN DIAGRAM BELOW, REFER TO BLOWER ASSEMBLY - 154032 IN THE PARTS LIST.

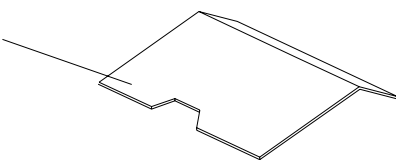


USING THE MOUNTING TABS AT THE DISCHARGE OPENING OF THE DECK, MOUNT THE BLOWER ASSY TO THE DECK BY SLIPPING THE MOUNTING TABS INTO THE SLOTS FOUND ON BLOWER MNT WLDMT. SECURE IN PLACE USING RING PIN (#24). TIGHTEN DOWN KNOBS (#40) UNTIL ADAPTER RAMS (#32) ARE TIGHT AGAINST THE DECK. FASTEN THE GRASS TUBE (#45) TO THE HOSE ADAPTERS (#29 & #30) USING GRASS TUBE CLAMPS (#44). ATTACH BLOWER TIE DOWN (#25) TO BLOWER HOSE ADAPTER (#30) USING HARDWARE FROM BOLT BAG.

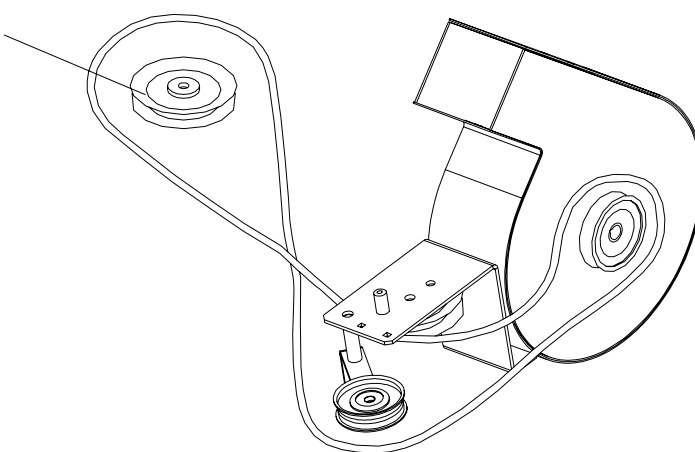
MOUNTING INSTRUCTIONS - X-TREME

3-BAG BLOWER ASSEMBLY - 154032

DRIVE PULLEY GUARD



DRIVE PULLEY ON
RH DECK SPINDLE



Route the blower drive belt so that the "V" side of the belt rides in the "V" groove of the drive pulley mounted on the RH blade spindle, the driven pulley mounted on the outside of the blower, and the stationary idler pulley bolted to the blower. The "flat" side of the drive belt should ride against the flat groove found on the spring tensioner pulley. Refer to diagram above for illustration of belt routing.

After routing the blower drive belt, be certain to install the drive pulley guard included with your grass catcher kit.

NOTES:

NOTES:

NOTES:



ENCORE
POWER EQUIPMENT