



52K21Z

**PARTS
MANUAL**



Table of Contents

■ QUICK REFERENCE GUIDE FOR 52K21Z	A - 1
■ DECK COMPONENTS	B - 1
■ DECK LIFT COMPONENTS	C - 1
■ FRAME COMPONENTS.....	D - 1
■ DRIVE COMPONENTS	E - 1
■ CONTROL COMPONENTS	
LINKAGE PARTS	F - 1
RIGHT HAND CONTROL BOX PARTS	F - 3
LEFT HAND CONTROL BOX PARTS	F - 5
■ BRAKE COMPONENTS	
RIGHT HAND SIDE	G - 1
LEFT HAND SIDE	G - 3
■ HYDRO COMPONENTS	H - 1
■ FUEL COMPONENTS.....	I - 1
■ ELECTRICAL SCHEMATICS	J - 1
■ DECAL LIST	K - 1
■ BLANK NOTE PAGES	

52K21Z

Engine

21hp Kawasaki electric FH641V-BS05

Blades

823004	18"blade	18"
363293	low lift blade	17 15/16"
823353	mulch blade	17 15/16"
523449	super hi-lift blade	17 15/16"

Torque Specs

65 ft-lbs	blade bolt
90 ft-lbs	nut on top of spindle
50 ft-lbs	clutch bolt
175-200 ft-lbs	wheel motor axle nut

Belts

523472	deck drive belt
423272	pump belt

Tires

823183	wheel/tire assy
823337	drive tire (20x10x10)
823336	rim w/ valvestem
823363	knobby tire assy
423218	knobby tire (20x11x10)
823364	rim - offset (10x7)
583007	bar lug tire (21x11x10)
423103	front caster complete
423256	tube (11x4x5 front caster)
423257	tire (11x4x5 front caster)
423229	front 5" rim w/ bearing
522160	front axle w/ bearings

Front Caster Bearings

423200	bearing
423201	bearing retainer

Brakes

422110	ccw backplate - brake
422112	cw backplate - brake
423312	brake link
423310	brake drum
423276	brake shoe
423281	brake spring

Seat

423246	seat complete w/o tracks
583089	seat cushion
583090	back cushion
593097	molded arm rest

Spindles

583106	spindle assy comp.
583111	housing
363350	bearing
583112	shaft
583113	brg. Spacer tube

Transmission

453153	wheel motor TD0195UR250AAA Seal Kit #453154
423330	hydro pump BDP-10A-438 Seal Kit #583514
423361	hydro filter

***synthetic hydro oil capacity approx. 2.7 qts.

Throttle 363352

Choke 423153

Wire Harness 423351

Safety Module 423030

Electrical Components

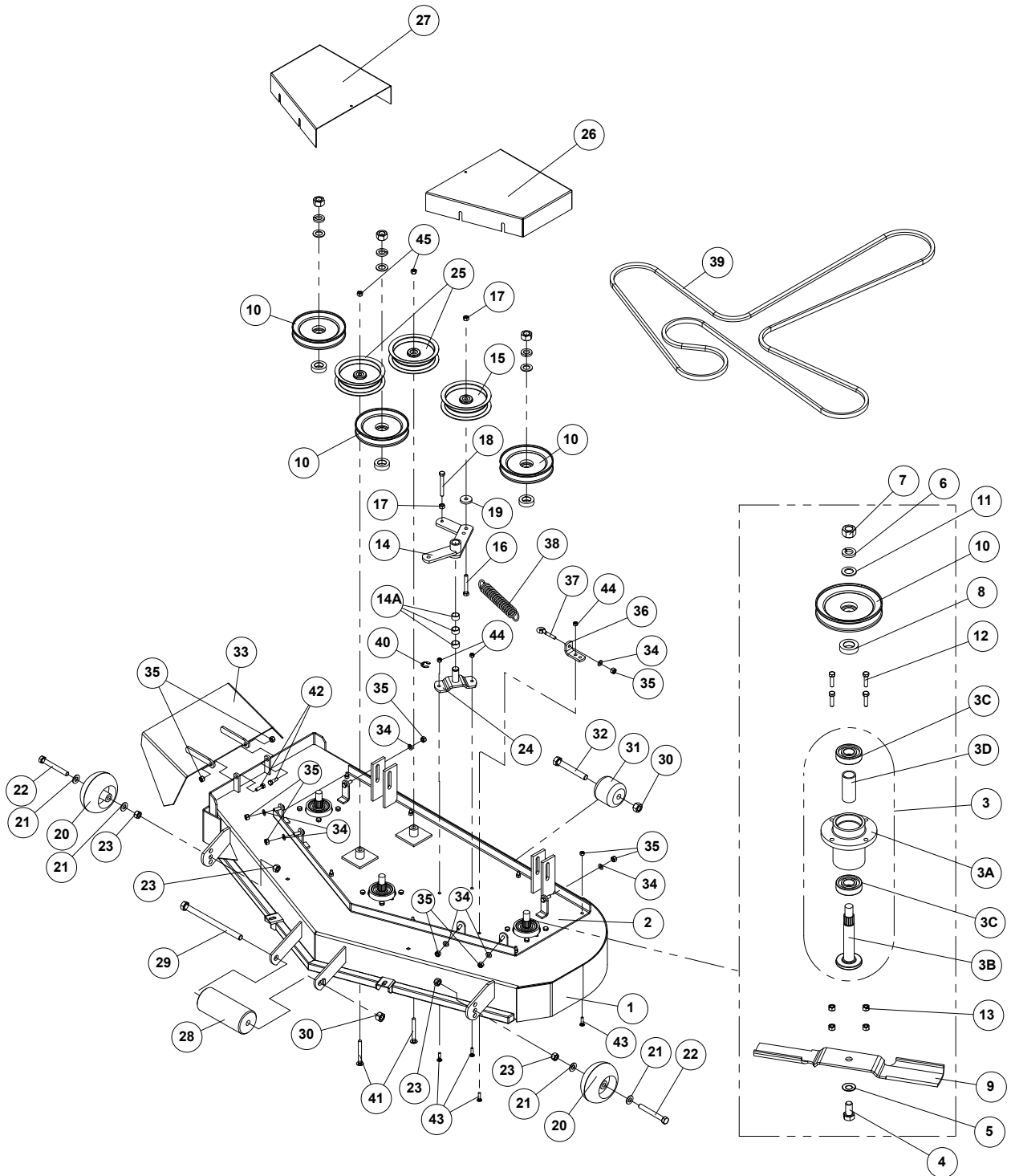
423027	Ignition Switch
423017	Starter Relay
523034	Park Brake Switch
593041	Neutral Switch
523031	PTO Switch
523030	Seat Switch
523283	Hour Meter

Clutch 423285

Muffler 483089

Gasket 483098

Z52 Deck Components



Z52

Deck Components

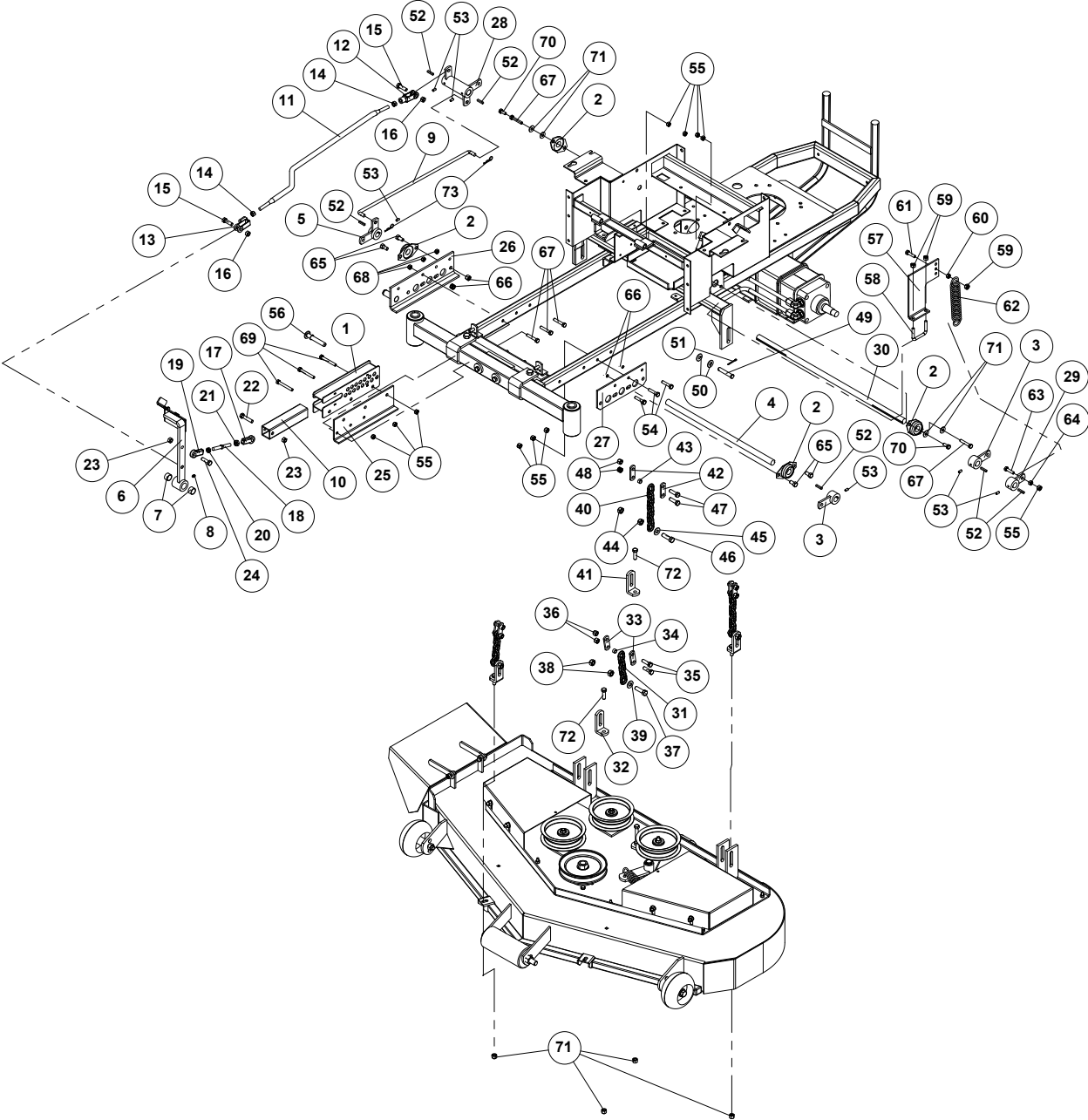
#	PART NO.	QTY.	DESCRIPTION
1	522150	1	Z52 MOWER DECK
2	522152	1	Z52 DECK SUB PLATE
3	583106	3	BLADE SPINDLE ASSY
3A	583111	1	SPINDLE HOUSING
3B	583112	1	SPINDLE SHAFT
3C	363350	2	SPINDLE BEARING
3D	583113	1	BEARING SPACER TUBE
4	100355	3	5/8-11 X 1-1/4 HHCS
5	583108	3	5/8 DISC SPRING WASHER
6	105010	3	3/4 LOCK WASHER
7	104511	3	3/4-16 HEX NUT
8	583110	3	PULLEY SPACER
9	823004	3	18" HI LIFT BLADE
10	523496	3	6.25" HEX PULLEY
11	105269	3	3/4 SAE FLATWASHER
12	100274	12	5/16-18 X 1-1/4 HHCS
13	104256	12	5/16 NYLOCK NUT
14	522164	1	Z - DECK TENSIONER w/BSHNGS
14A	363089	3	BRONZE BUSHING
15	373068	1	ENGAGEMENT IDLER
16	100298	1	3/8-16 X 2-1/2
17	109007	2	3/8-16 WHIZLOCK NUT
18	100300	1	3/8-16 X 3 HHCS
19	363097	1	RETAINING WASHER
20	423023	2	DECK ROLLER
21	105264	4	1/2 FLAT WASHER
22	100335	2	1/-13 X 4 HHCS
23	104509	4	1/2-13 HEX NUT
24	522104	1	OFFSET PIVOT
25	373068	2	ENGAGEMENT IDLER
26	522174	1	Z52 RH BELT COVER - FLAT
27	522176	1	Z52 LH BELT COVER - FLAT
28	603023	1	FRONT ANTISCALP ROLLER
29	100351	1	5/8-11 X 8-1/2
30	104261	2	5/8-11 HEX NUT
31	523084	1	REAR DECK ROLLER
32	100346	1	5/8-11 X 4-1/2 HHCS
33	582025	1	GRASS DEFLECTOR WLDMNT
34	105264	7	1/2 FLAT WASHER
35	104256	9	5/16 NYLOCK NUT
36	523094	1	SPRING MOUNT
37	363080	1	RIGHT EYEBOLT
38	523327	1	FLOATING IDLER SPRING

Z52

Deck Components

#	PART NO.	QTY.	DESCRIPTION
39	523472	1	DECK DRIVE BELT
40	108509	1	3/4 E-Ring
41	107506	2	3/8-16 X 3-1/4 CARR BOLT
42	100273	2	5/16-18 X 1 HHCS
43	107510	11	1/4-20 X CARR BOLT
44	104255	11	1/4 NYLOCK NUT
45	109007	2	3/8-16 WHIZLOCK NUT

Z52 Deck Lift Components



Z52

Deck Lift Components

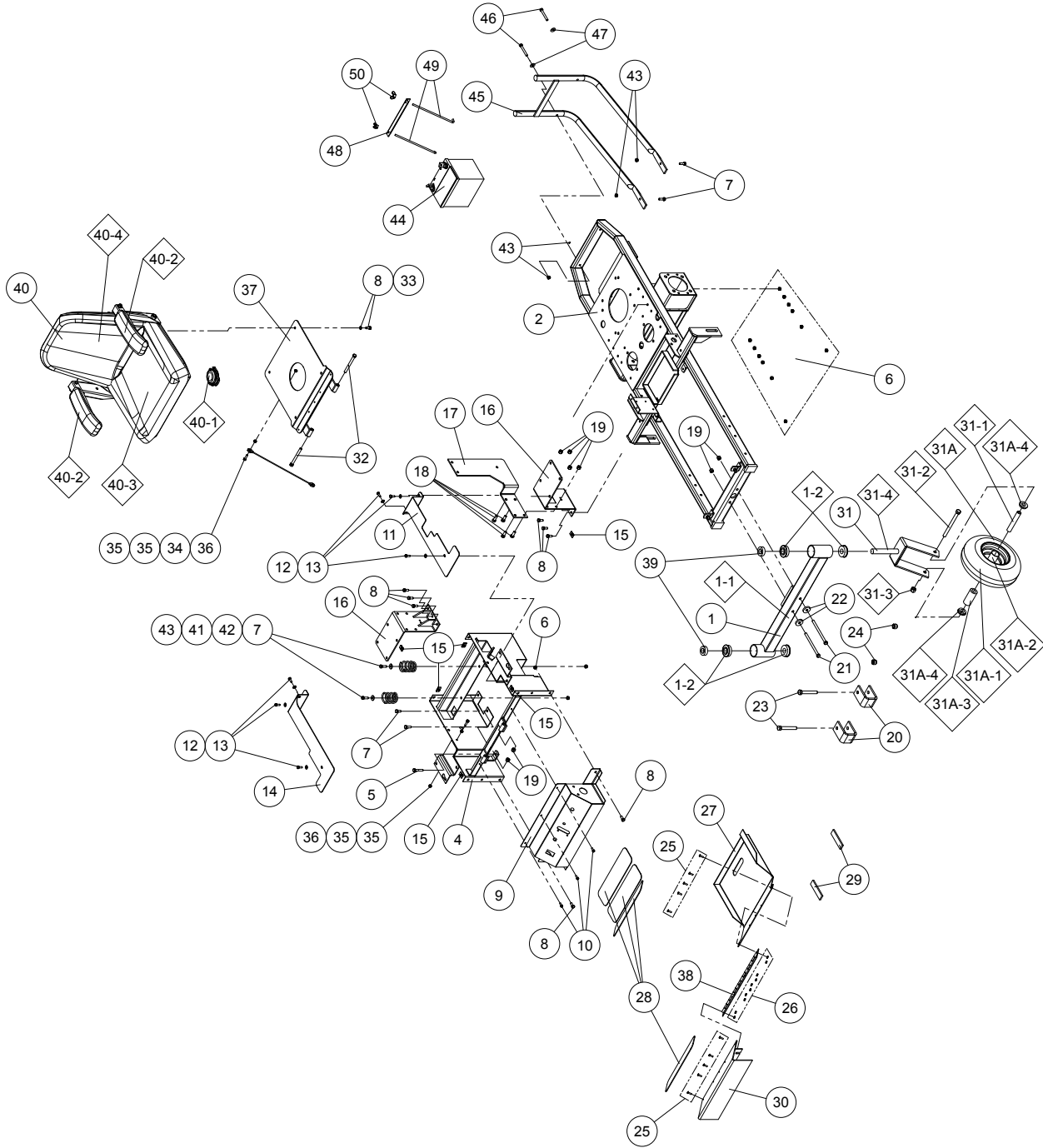
#	PART NO.	QTY.	DESCRIPTION
1	342016	1	HEIGHT CONTROL
2	423140	4	3/4" 2 BOLT BEARING
3	422041	2	DECK LIFT ARM
4	423098	1	FRONT DECK LIFT SHAFT
5	422043	1	DECK LIFT CRANK
6	422144	1	DECK LIFT PEDAL W/BUSH
7	363089	2	BRONZE BUSHING
8	111004	1	ZERK 1/4-28
9	523474	1	DECK LIFT ROD
10	343093	1	DECK HEIGHT TUBE
11	423336	1	DECK LIFT ROD
12	363192	1	LARGE YOKE
13	423353	1	OFFSET ROD END
14	109008	2	3/8-24 WHIZLOCK NUT
15	100293	2	3/8-16 X 1-1/4 HHCS
16	104257	2	3/8-16 NYLOCK
17	523104	1	3/8 ROD END
18	343158	1	FOOT PEDAL LINK
19	343160	1	LIFT ROD END - LH
20	104754	1	3/8-24 HEX JAM NUT
21	109037	1	3/8-24 HEX LH JAM NUT
22	100295	1	3/8-16 X 1-3/4 HHCS
23	104257	2	3/8-16 NYLOCK
24	100293	1	3/8-16 X 1-1/4 HHCS
25	423322	1	HEIGHT GAGE MOUNT
26	422128	1	LIFT MOUNT
27	423344	1	LH LIFT MOUNT
28	422124	1	DECK LIFT HUB
29	422056	1	SPRING ASSIST ARM
30	423096	1	REAR DECK LIFT SHAFT
31	423359	2	FRONT CHAIN
32	423358	2	DECK LIFT ANGLE
33	423356	4	LIFT CHAIN LINK
34	363174	2	EYE BOLT SPACER
35	100293	4	3/8-16 X 1-1/4 HHCS
36	104257	4	3/8-16 NYLOCK NUT
37	100311	2	7/16-14 X 1 1/2 HHCS
38	109027	4	7/16-14 WHIZLOC NUT
39	105260	2	3/8 STD. FLAT WASHER
40	423360	2	REAR CHAIN
41	423358	2	DECK LIFT ANGLE
42	423356	4	LIFT CHAIN LINK
43	363174	2	EYE BOLT SPACER

Z52

Deck Lift Components

#	PART NO.	QTY.	DESCRIPTION
44	109027	4	7/16-14 WHIZLOC NUT
45	105260	2	3/8 STD. FLAT WASHER
46	100311	2	7/16-14 X 1 1/2 HHCS
47	100293	4	3/8-16 X 1-1/4 HHCS
48	104257	4	3/8-16 NYLOCK NUT
49	523242	1	7/16 CLEVIS PIN - LONG
50	105260	2	3/8 STD. FLAT WASHER
51	106763	1	1/8 X 1-1/4 COTTER PIN
52	107255	6	3/16 X 3/16 X 1 MACH KEY
53	103292	6	1/4-28 KNURL POINT SET SCREW
54	100275	3	5/16-18 X 1 1/2 HHCS
55	104256	11	5/16 NYLOCK NUT
56	109036	1	DECK HEIGHT PIN ASSY
57	423382	1	SPRING MOUNT
58	523375	1	U-BOLT SQ. 2"
59	104256	3	5/16 NYLOCK NUT
60	109001	1	5/16-18 WHIZLOCK NUT
61	100274	1	5/16-18 X 1-1/4 HHCS
62	523327	1	FLOATING IDLER SPRING
63	100274	1	5/16-18 X 1-1/4 HHCS
64	109001	1	5/16-18 WHIZLOCK NUT
65	100291	4	3/8-16 X 3/4 HHCS
66	104257	8	3/8-16 NYLOCK NUT
67	100276	5	5/16-18 X 1-3/4 HHCS
68	109001	3	5/16 NYLOCK NUT
69	100279	3	5/16-18 X 2 1/2 HHCS
70	100271	2	5/16-18 X 3/4 HHCS
71	105258	4	5/16 FLAT WASHER
72	100293	4	3/8-16 X 1-1/4 HHCS
73	363165	2	HAIRPIN COTTER

Z52 Frame Components



Z52

Frame Components

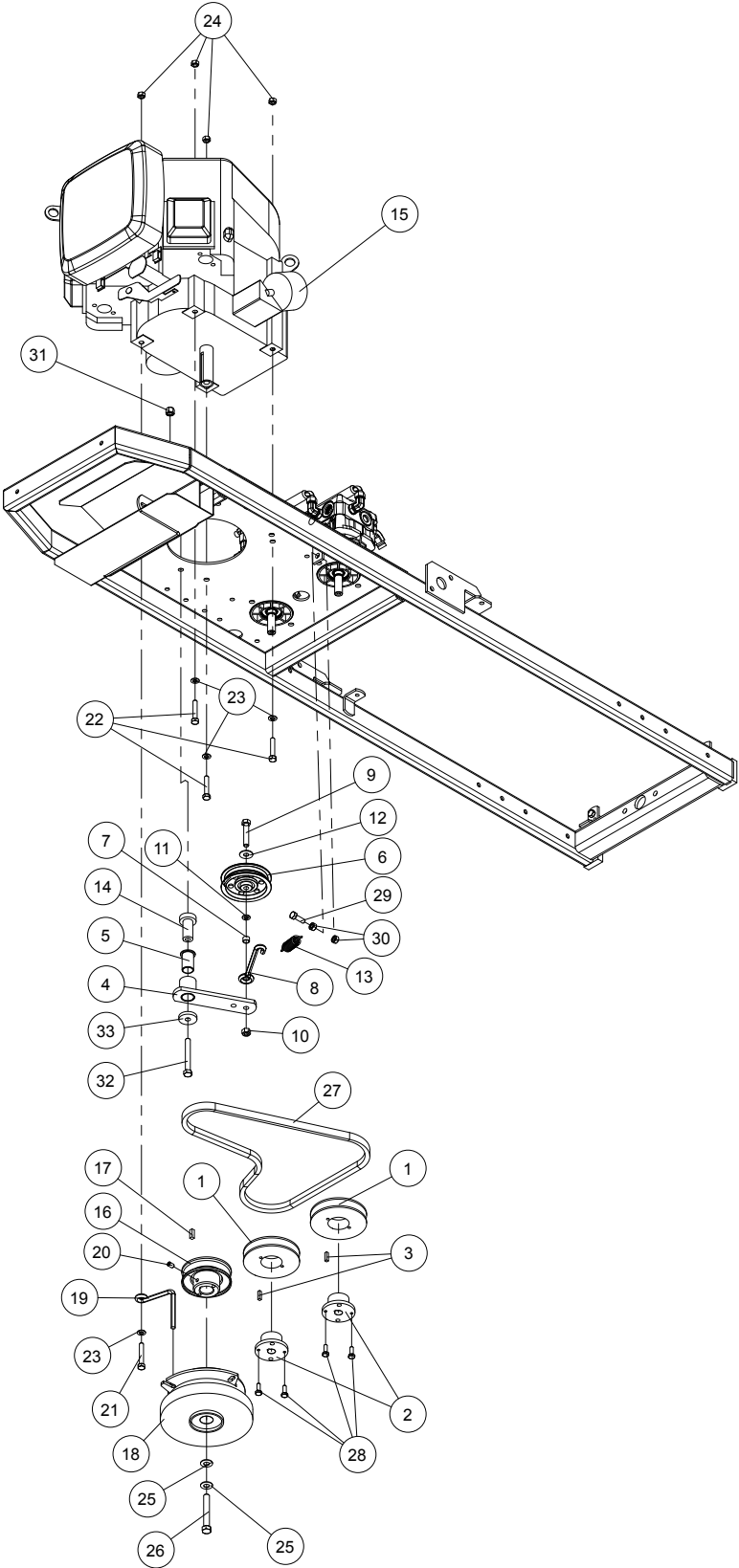
#	PART NO.	QTY.	DESCRIPTION
1	522160	1	FRONT AXLE W/BEARINGS
1-1	522158	1	FRONT AXLE
1-2	423109	4	7/8" FLANGE BEARING
2	422008	1	MAIN FRAME WLDMNT - PNTD
3	422140	1	DECK SUPPORT TUBE
4	422142	1	SEAT FRAME WLDMNT - PNTD
5	100276	2	5/16-18 X 1-3/4 HHCS
6	109001	16	5/16 NYLOCK NUT
7	100273	6	5/16-18 X 1 HHCS
8	100271	14	5/16-18 X 3/4 HHCS
9	422148	1	CONTROL PANEL - Z
10	102000	3	SELF TAPPING SCREW #12-24 X 5/8
11	423372	1	LH SEAT FRAME COVER
12	105256	6	1/4 FLAT WASHER
13	100252	6	1/4-20 X 3/4 HHCS
14	423370	1	RH SEAT FRAME COVER
15	109015	6	1/4-20 NUT CLIP
16	422138	2	REAR TANK MOUNT
17	422136	1	OIL TANK MOUNT
18	100292	4	3/8-16 X 1 HHCS
19	104257	8	3/8-16 NYLOCK NUT
20	523481	2	AXLE MOUNT
21	100307	2	3/8-16 X 5-1/2 HHCS
22	373089	2	RETAINING WASHER
23	100334	2	1/2-13 X 3-1/2 HHCS
24	104259	2	1/2-13 NYLOCK NUT
25	101039	10	#10-24 X 5/8 PAN HEAD
26	104252	10	#10-24 NYLOCK NUT
27	423338	1	FOOT PLATE
28	423302	4	Z - STEP TREAD
29	363201	2	TANK PAD
30	422134	1	FOOT PLATE WELDMENT
31	424009	2	CASTER ASSY (COMPLETE)
31-1	363307	1	AXLE TUBE
31-2	100339	1	1/2-13 X 6 HHCS
31-3	104259	1	1/2-13 NYLOCK NUT
31A	423103	1	FRONT CASTER WHEEL - COMPLETE
31A-1	423257	1	TIRE (11X4X5) ONLY
31A-2	423229	1	5" RIM W/BEARINGS
31A-3	423200	1	BEARING
31A-4	423201	2	BEARING RETAINER
31-4	422016	1	FRONT CASTER YOKE - PNTD
32	100303	2	3/8-16 X 4 HHCS

Z52

Frame Components

#	PART NO.	QTY.	DESCRIPTION
33	105005	4	5/16 LOCK WASHER
34	523044	1	SEAT CABLE
35	109000	4	1/4-20 WHIZLOCK NUT
36	100004	2	1/4-20 X 1 HHCS
37	422132	1	SEAT PLATE
38	523105	1	SEAT HINGE
39	423071	2	7/8 CLAMP COLLAR
40	423246	1	SEAT LT. GREY W/O TRACK
40-1	523030	1	SEAT SWITCH
40-2	593097	2	ARM REST PAD - GREY/MOLDED
40-3	583089	1	SEAT CUSHION - LT GRAY
40-4	583090	1	BACK CUSHION - LT GREY
41	523278	2	SEAT SPRING
42	105258	2	5/16 FLAT WASHER
43	104256	6	5/16 NYLOCK NUT
44	423142	1	BATTERY, U1-9
45	422068	1	REAR SKID BRKT - PAINTED
46	100279	2	HFBOLT 0.3125-18x2.5x2.5-N
47	105257	2	5/16 SAE WASHER
48	423011	1	HOLD-DOWN ANGLE - PNTD
49	423172	2	BATTERY HOLDDOWN - PLATED
50	109012	2	1/4 WING NUT

Z52 Drive Components

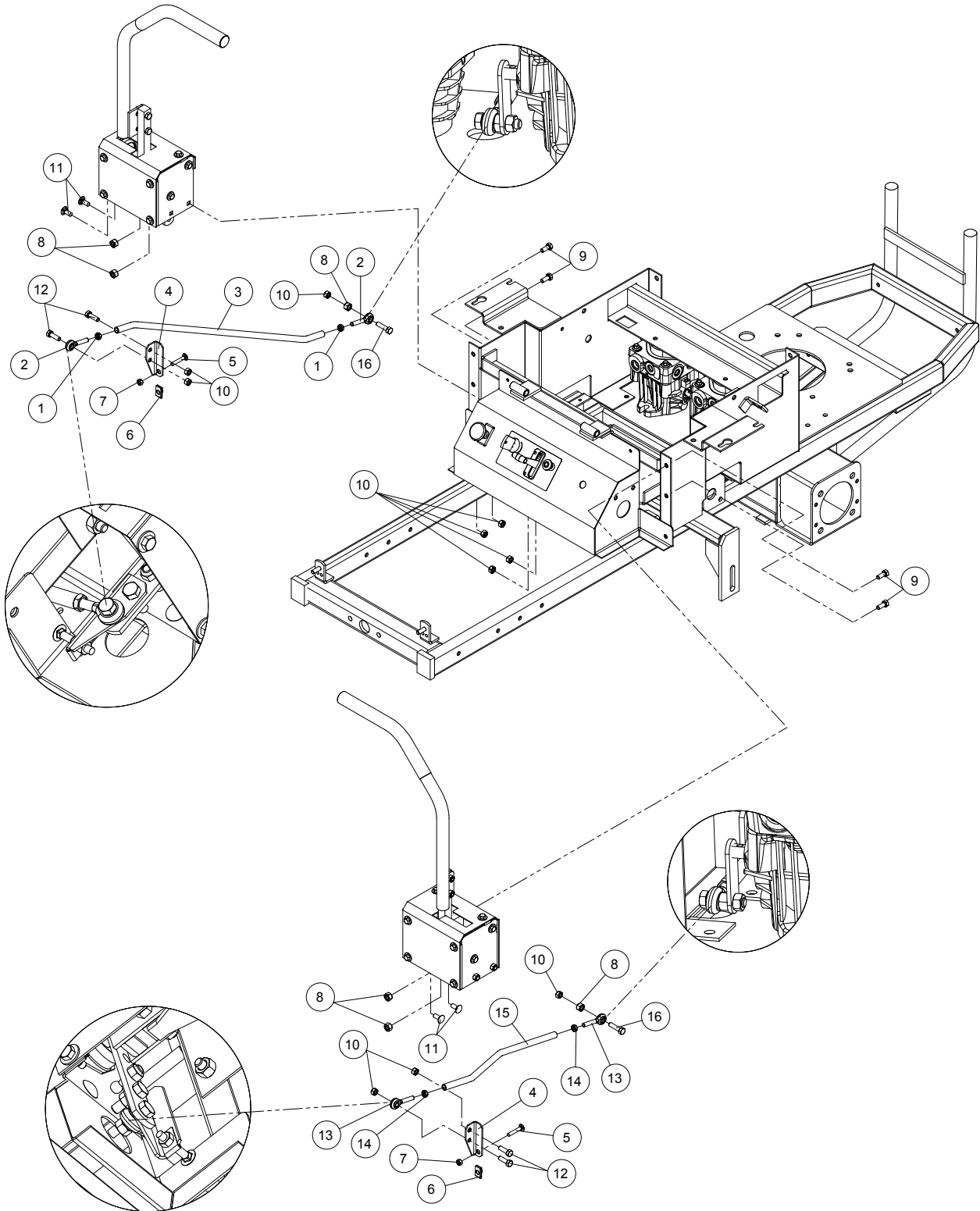


Z52

Drive Components

#	PART NO.	QTY.	DESCRIPTION
1	423177	1	PUMP PULLEY - TAPER
2	423178	1	15MM TAPER HUB
3	453102	1	PUMP KEY
4	422025	1	TENSIONER W/BUSHING
5	523111	1	3/4 PLASTIC BUSHING
6	523328	1	FLAT IDLER
7	363174	1	EYE BOLT SPACER
8	423122	1	PUMP TENSION ROD
9	100296	1	3/8 - 16 X 2 HHCS
10	109007	1	3/8-16 WHIZLOCK NUT
11	105006	1	3/8 LOCK WASHER
12	105260	1	3/8 STD. FLATWASHER
13	553007	1	IDLER SPRING
14	423175	1	PUMP IDLER PIVOT
15	xxxxxx	1	Engine
16	423231	1	DRIVE PULLEY - PUMP
17	107258	1	1/4 X 1/4 X 3/4 MACH. KEY
18	423285	1	ELECTRIC CLUTCH - 125 LB
19	373070	1	BELT GUIDE - LONG
20	103293	1	5/16 - 18 SET SCREW
21	100277	1	5/16-18 X 2 HHCS
22	100276	3	5/16-18 X 1-3/4 HHCS
23	363226	4	SPRING DISK WASHER
24	104256	4	5/16-18 NYLOCK
25	423069	2	7/16 SPRING DISC WASHER
26	100536	1	7/16-20 X 3 HHCS
27	423272	1	PUMP DRIVE BELT
28	100252	4	1/4-20 X 3/4 HHCS
29	100273	1	5/16-18 X 1 HHCS
30	104256	2	5/16-18 WHIZLOCK
31	104257	1	3/8-16 NYLOCK NUT
32	100300	1	3/8-16 x 3 HHCS
33	373089	1	RETAINING WASHER

Z52 Steering Components - Linkage

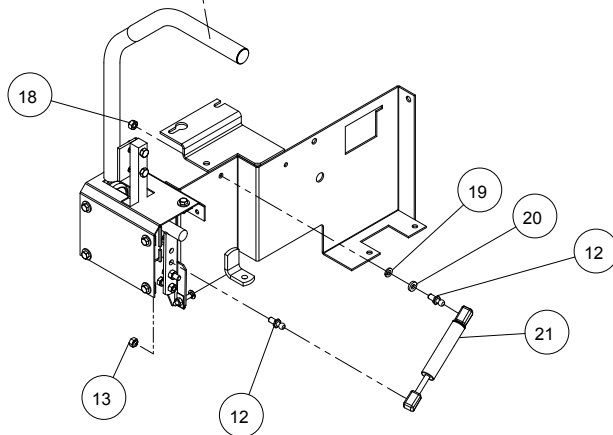
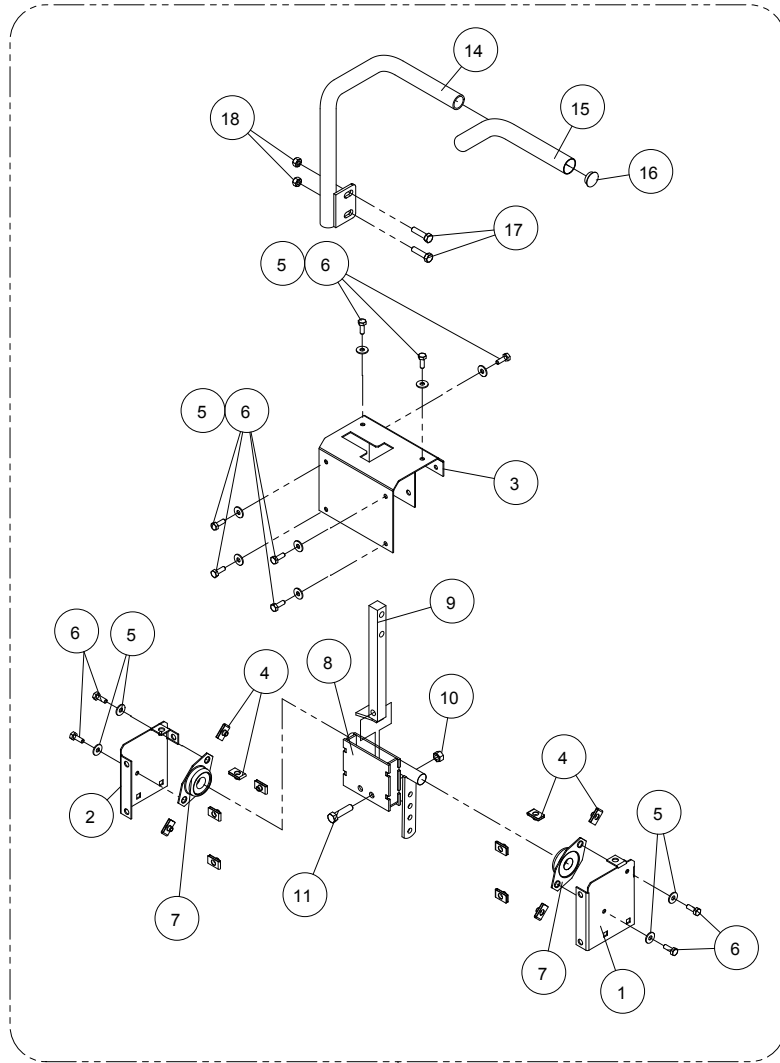


Z52

Steering Components - Linkage

#	PART NO.	QTY.	DESCRIPTION
1	104752	2	5/16-24 JAM NUT
2	453082	2	5/16 ROD END
3	423318	1	CONTROL LINK - RH
4	423376	2	LEVER STOP ANGLE
5	107523	2	1/4-20 x 1-1/2 CARR HD BOLT
6	109015	2	1/4-20 NUT CLIP
7	109000	2	1/4 - 20 WHIZ LOCK NUT
8	104256	7	5/16 NYLOCK NUT
9	100271	4	5/16-18 X 3/4 HHCS
10	104256	10	5/16-18 WHIZLOCK
11	107503	4	5/16-18 X 3/4 CARR BOLT
12	100273	4	5/16-18 X 1 HHCS
13	453082	2	5/16 ROD END
14	104752	2	5/16-24 JAM NUT
15	423317	1	CONTROL LINK - LH
16	100274	2	5/16-18 X 1-1/4 HHCS

Z52 Steering Components - RH Handles



Z52

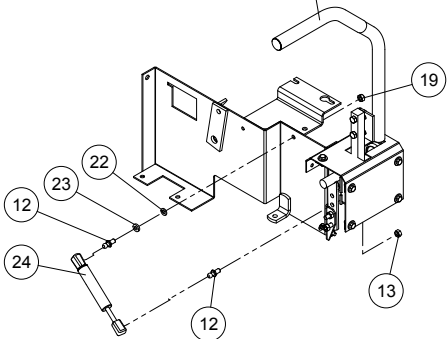
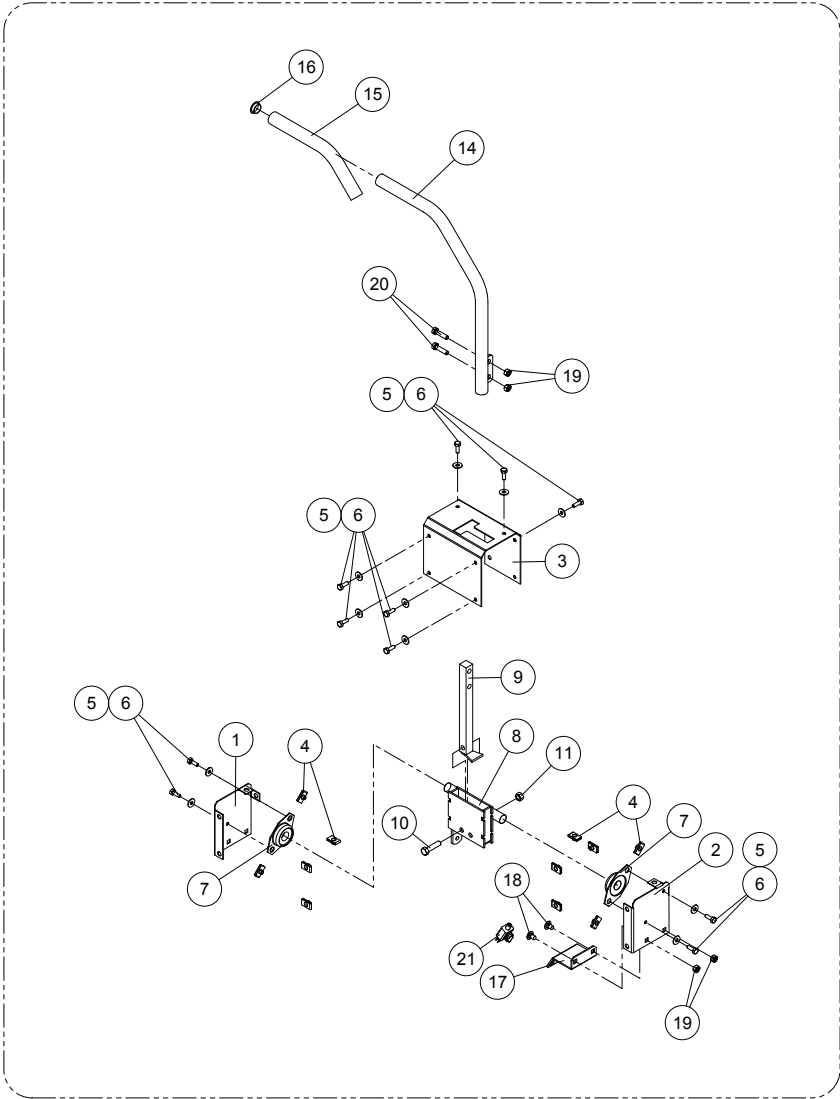
Steering Components - Right Hand

#	PART NO.	QTY.	DESCRIPTION
1	593028	1	LH CONTROL COVER
2	593026	1	RH CONTROL COVER
3	593022	1	RH CONTROL MOUNT
4	109015	11	1/4-20 NUT CLIP
5	105004	11	1/4 STD. LOCKWASHER
6	100252	11	1/4-20 X 3/4 HHCS
7	423140	2	3/4" 2 BOLT BEARING
8	592024	1	CONTROL PIVOT RIGHT
9	592060	1	HANDLE BAR w/stop WELDMENT
10	104257	1	3/8-16 NYLOCK
11	100294	1	3/8-16 - 1-1/2 HHCS
12	823221	2	10 MM BALL STUD (SEE NOTE 1)
13	104256	2	5/16-18 NYLOC NUT (SEE NOTE 1)
14	592041	1	HANDLE RH w / GRIP
15	523032	1	HANDLE GRIP
16	523033	1	HANDLE PLUG
17	100274	2	5/16-18 X 1-1/4 HHCS
18	109001	2	5/16-18 WHIZLOCK NUT (SEE NOTE 1)
19	105005	1	5/16 LOCKWASHER - HEAV (SEE NOTE 1)
20	253075	1	CABLE ANCHOR SPACER (SEE NOTE 1)
21	823201	1	ANTI BUCK CYLINDER (SEE NOTE 1)

NOTE:

1. ON UNITS AFTER S/N 46679

Z52 Steering Components - LH Handles



Z52

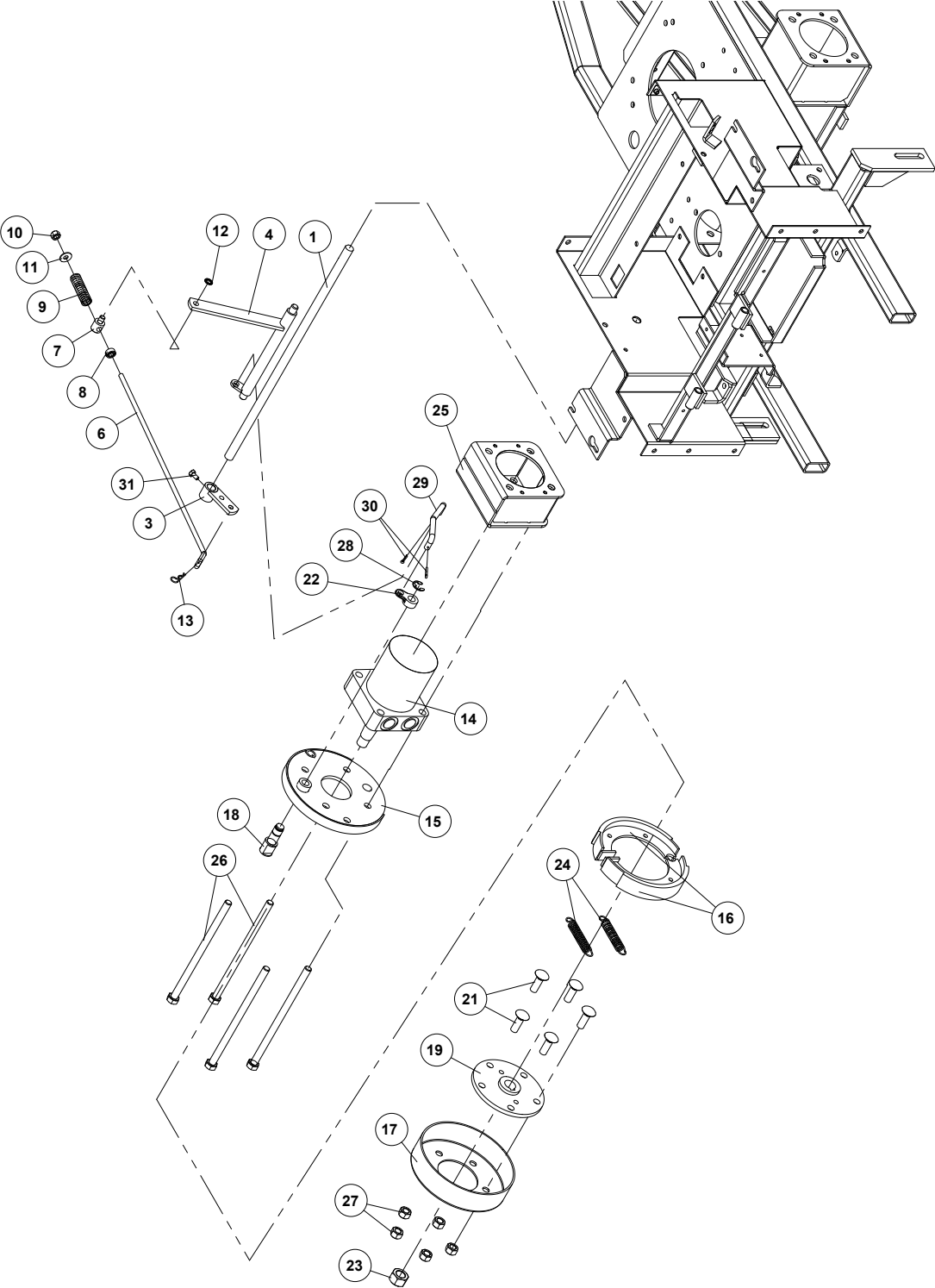
Steering Components - Left Hand

#	PART NO.	QTY.	DESCRIPTION
1	593026	1	RH CONTROL COVER
2	593028	1	LH CONTROL COVER
3	593024	1	LH CONTROL MOUNT
4	109015	11	1/4-20 NUT CLIP
5	105004	11	1/4 STD. LOCKWASHER
6	100252	11	1/4-20 X 3/4 HHCS
7	423140	2	3/4" 2 BOLT BEARING
8	592026	1	CONTROL PIVOT LEFT
9	592060	1	HANDLE BAR w/stop WELDMNT
10	100294	1	3/8-16 - 1-1/2 HHCS
11	104257	1	3/8-16 NYLOCK
12	823221	2	10 MM BALL STUD (SEE NOTE 1)
13	104256	2	5/16-18 NYLOC NUT (SEE NOTE 1)
14	592042	1	HANDLE LH w / GRIP
15	523032	1	HANDLE GRIP
16	523033	1	HANDLE PLUG
17	593048	1	SWITCH MOUNT - NEUTRAL
18	107519	2	5/16-18 X 1/2 CARR BOLT
19	109001	4	5/16-18 WHIZLOCK NUT (SEE NOTE)
20	100274	2	5/16-18 X 1-1/4 HHCS
21	593041	1	NEUTRAL SWITCH
22	105005	1	5/16 LOCKWASHER - HEAV (SEE NOTE 1)
23	253075	1	CABLE ANCHOR SPACER (SEE NOTE 1)
24	823201	1	ANTI BUCK CYLINDER (SEE NOTE 1)

NOTE:

1. ON UNITS AFTER S/N 46679

Z52 Brake Components - Right Hand

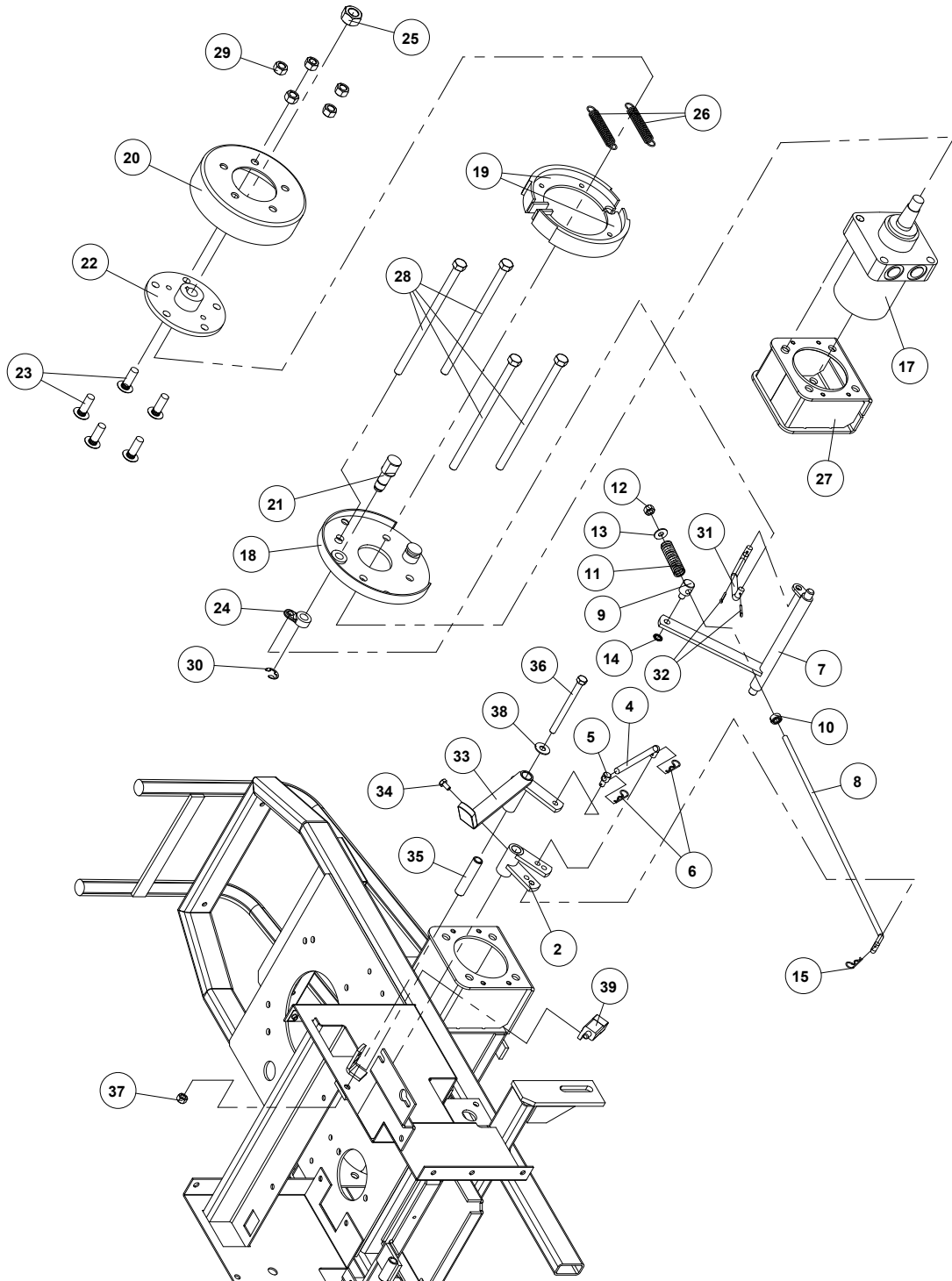


Z52

Brake Components - Right Hand

#	PART NO.	QTY.	DESCRIPTION
1	423368	1	BRAKE CROSS SHAFT
2	422146	1	PARK BRAKE CRANK
3	422049	1	BRAKE CRANK WLDMNT - PLATED
4	482042	1	RIGHT BRAKE CONTROL - Z52
5	109015	1	1/4-20 NUT CLIP
6	423128	1	PARK BRAKE LINK
7	423130	1	PARK BRAKE SWIVEL
8	523112	1	5/16 CLAMP COLLAR
9	523024	1	DECK DRIVE SPRING
10	104256	1	5/16 NYLOCK NUT
11	105258	1	5/16 FLAT WASHER
12	363177	1	3/8 PUSH NUT
13	363165	1	HAIRPIN COTTER
14	453153	1	WHEEL MOTOR
15	422112	1	CW BACK PLATE - BRAKE
16	423276	2	BRAKE SHOE
17	423310	1	BRAKE DRUM - 180
18	423296	1	BRAKE CAM
19	423275	1	WHEEL HUB
21	103029	5	1/2-20 UNF PRESS IN STUD
22	423308	1	BRAKE CAM ARM
23	104511	1	3/4-16 HEX NUT
24	423281	2	BRAKE SPRING
25	452026	1	MOTOR SPACER
26	100344	4	1/2-13 X 9-1/2 HHCS
27	103023	5	1/2-20 LUG NUT
28	108500	1	E-RING FOR 5/8 DIA
29	423312	1	BRAKE LINK
30	106753	2	3/32 X 3/4 COTTER PIN
31	100501	1	1/4-28 X 1/2 HHCS

Z52 Brake Components - Left Hand



Z52

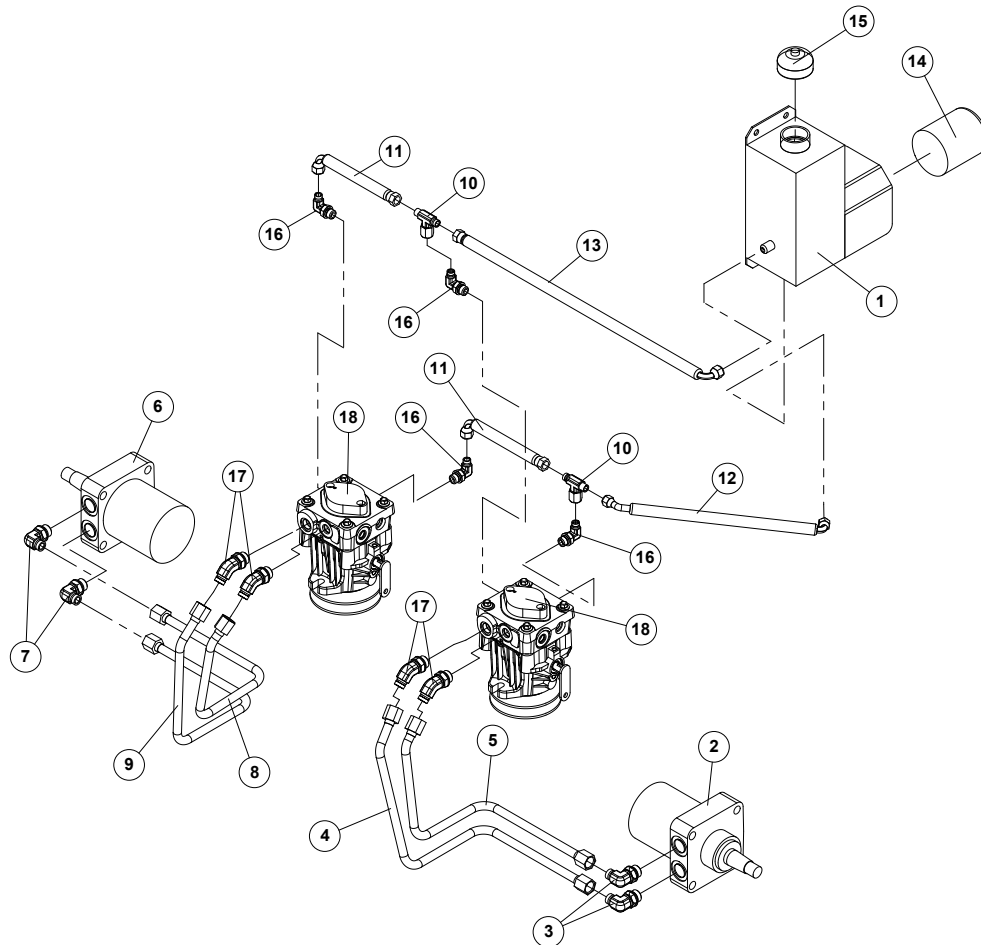
Brake Components - Left Hand

#	PART NO.	QTY.	DESCRIPTION
1	423368	1	BRAKE CROSS SHAFT
2	422146	1	PARK BRAKE CRANK
3	422049	1	BRAKE CRANK WLDMNT - PLATED
4	423350	1	BRAKE LINK
5	363029	1	.312 ROD SWIVEL
6	363165	2	HAIRPIN COTTER
7	482044	1	LEFT BRAKE CONTROL - Z52
8	423128	1	PARK BRAKE LINK
9	423130	1	PARK BRAKE SWIVEL
10	523112	1	5/16 CLAMP COLLAR
11	523024	1	DECK DRIVE SPRING
12	104256	1	5/16 NYLOCK NUT
13	105258	1	5/16 FLAT WASHER
14	363177	1	3/8 PUSH NUT
15	363165	1	HAIRPIN COTTER
16	109015	1	1/4-20 NUT CLIP
17	453153	1	WHEEL MOTOR
18	422110	1	CCW BACK PLATE - BRAKE
19	423276	2	BRAKE SHOE
20	423310	1	BRAKE DRUM - 180
21	423296	1	BRAKE CAM
22	423275	1	WHEEL HUB
23	103029	5	1/2-20 UNF PRESS IN STUD
24	423308	1	BRAKE CAM ARM
25	104511	1	3/4-16 HEX NUT
26	423281	2	BRAKE SPRING
27	452026	1	MOTOR SPACER
28	100344	4	1/2-13 X 9-1/2 HHCS
29	103023	5	1/2-20 LUG NUT
30	108500	1	E-RING FOR 5/8 DIA
31	423312	1	BRAKE LINK
32	106753	2	3/32 X 3/4 COTTER PIN
33	422086	1	Z- PARK LEVER W/GRIP
34	100501	1	1/4-28 X 1/2 HHCS
35	363105	1	IDLER BUSHING
36	100305	1	3/8-16 x 4-1/2
37	109007	1	3/8-16 WHIZLOCK NUT
38	105260	1	3/8 STD. FLAT WASHER
39	523034	1	PARK SWITCH

Z52

Hydro Components

#	PART NO.	QTY.	DESCRIPTION
1	423307	1	OIL TANK
2	453153	1	WHEEL MOTOR
3	523058	2	RETURN ADAPTER
4	483063	1	STEEL LINE L. INSIDE
5	483064	1	STEEL LINE L. OUTSIDE
6	453153	1	WHEEL MOTOR
7	523058	2	RETURN ADAPTER
8	483065	1	STEEL LINE R. INSIDE
9	483066	1	STEEL LINE R. OUTSIDE
10	453106	2	SWIVEL TEE
11	453127	2	PUMP TO PUMP FEED LINE
12	423373	1	PUMP FEED LINE - Z
13	593073	1	HOSE RETURN
14	423361	1	OIL FILTER
15	583406	1	OIL TANK CAP
16	453074	4	90° ADAPTER
17	423031	4	45° PRESSURE ADAPTER
18	423330	2	PUMP V



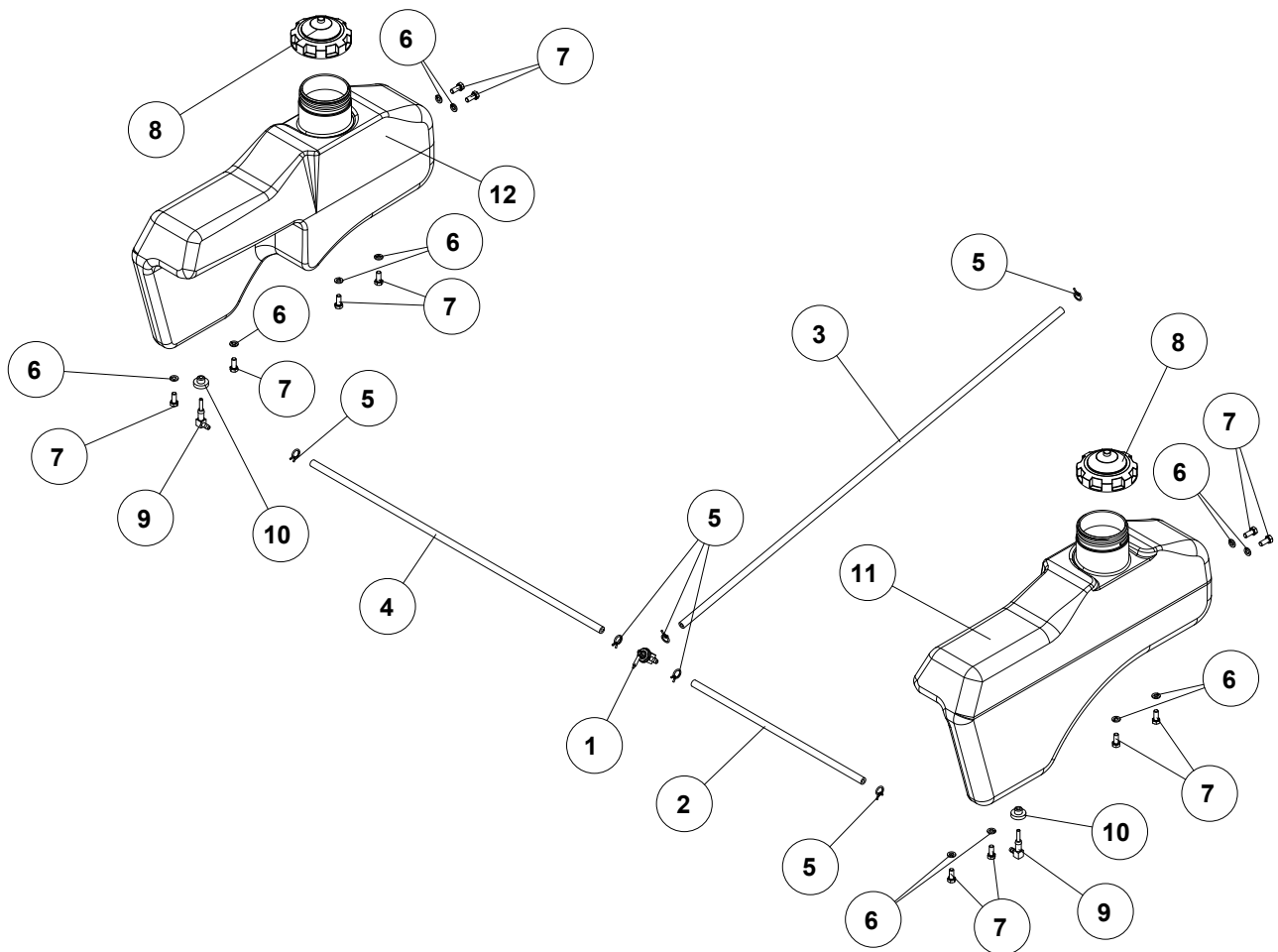
Z52

Fuel Components

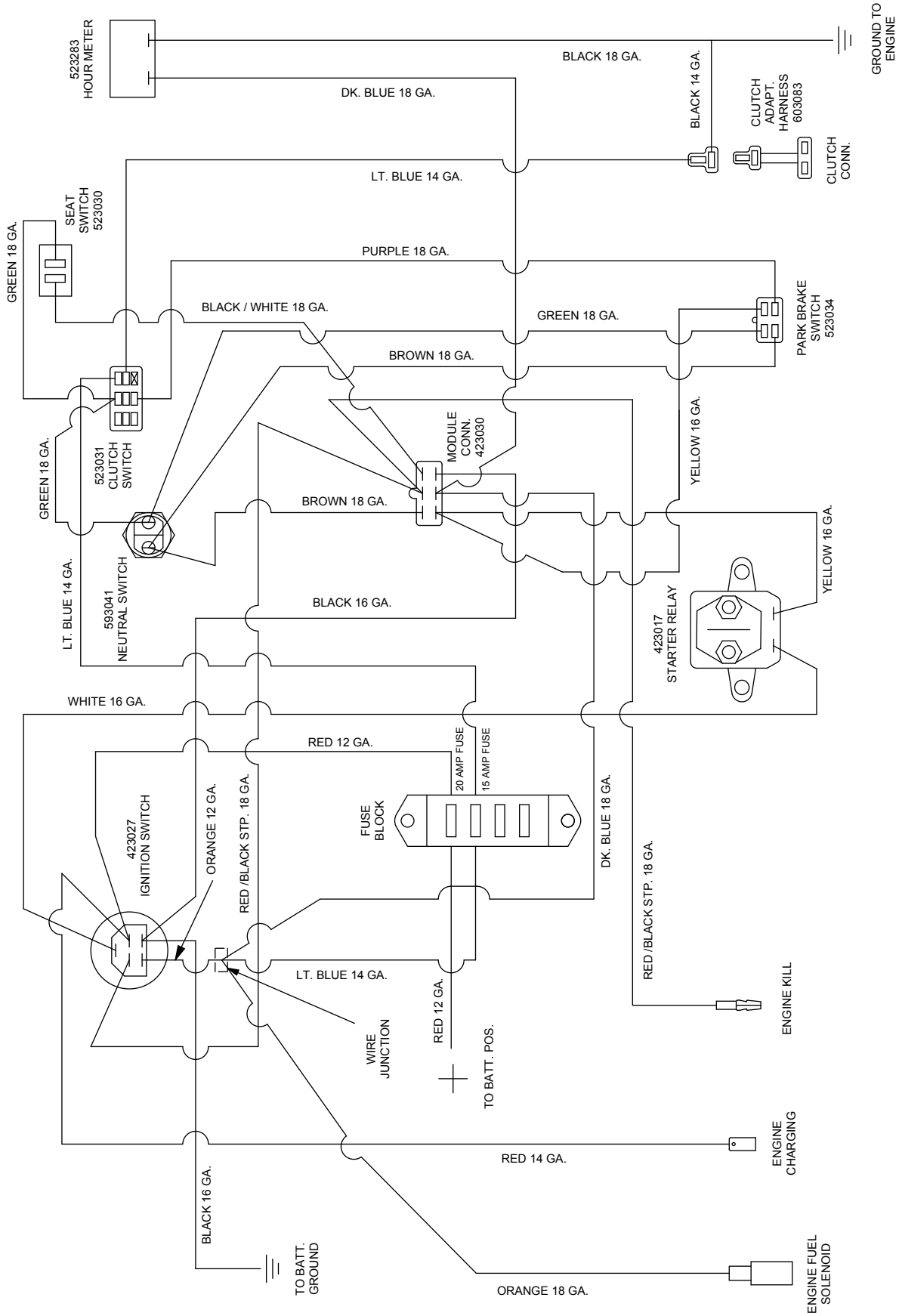
#	PART NO.	QTY.	DESCRIPTION
1	583050	1	FUEL VALVE
2	363099	1	FUEL LINE - 17"
3	583185	1	FUEL LINE - 39"
4	583186	1	FUEL LINE - 29"
5	363098	6	FUEL LINE CLAMP
6	105005	12	5/16 LOCK WASHER
7	100271	12	5/16-18 X 3/4 HHCS
8	823179	2	FUEL CAP - LARGE
9	583183	2	FUEL TANK ADAPTER
10	393042	2	VALVE GROMMET
11	343021	1	FUEL TANK / FENDER LH
12	423297	1	RH FUEL TANK

NOTE:

A: THERE ARE NO REPLACEMENT DECALS FOR TANKS. DUE TO THEIR MOLDED INTO THE TANK.



ENCORE PART# 423351
 WIRE HARNESS FOR 42K17Z ; 17 HP KAWASAKI
 WIRE HARNESS FOR 48K19Z ; 19 HP KAWASAKI
 WIRE HARNESS FOR 52K21Z ; 21 HP KAWASAKI
 WIRE HARNESS FOR 60K25Z ; 25 HP KAWASAKI



Z52 Decals



1



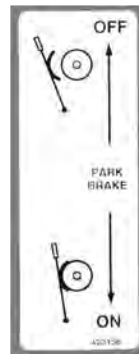
2



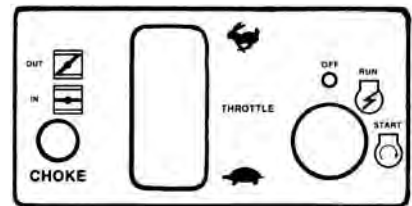
3



4



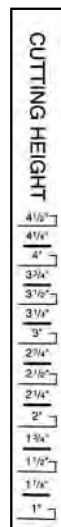
5



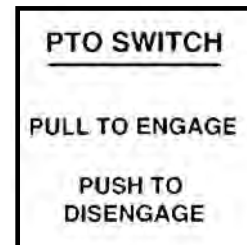
6



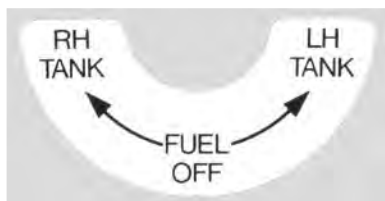
7



8



9



10



11



12

Z52

Decals

#	PART NO.	QTY.	DESCRIPTION
1	363001	1	CAUTION DECAL
2	363023	2	DANGER DECAL
3	363026	1	SERIAL NO. PLATE
4	423155	1	RIDER CAUTION DECAL
5	423156	1	PARK LEVER DECAL
6	423197	1	CONTROL DECAL
7	423354	1	OIL DECAL - SYN.
8	423379	1	CUT GAGE DECAL
9	523021	1	PTO DECAL
10	583023	1	LABEL - FUEL VALVE
11	823320	1	BATTERY WARNING DECAL
12	523515	1	FRONT Z52 LABEL
13	423196	1	BELT ROUTING DECAL

Notes:

Notes:

