

Classic

26SP100

**OPERATORS/PARTS
MANUAL**



OPERATORS MANUAL SECTION

GENERAL

This manual contains technical data on the following Encore commercial mowers.

26SP100

INTRODUCTION

Your mower was built to the highest standards in the industry. However, the prolonged life and maximum efficiency of your mower depends on you following the operating, maintenance and adjustment instructions in this manual.

We encourage you to contact your local Encore dealer for repairs. All Encore dealers are informed of the latest methods to service this equipment and provide prompt and efficient service. They carry a full line of Encore service parts. This manual includes a parts section to help in correctly ordering parts when necessary.

A replacement Operator's Manual is available from your Encore Dealer or by contacting Encore Manufacturing Co., Inc., Service Department at PO Box 888, Beatrice, NE 68310. Please indicate the complete model and serial number of your Encore product.

The "Right" and "Left," "Front" and "Rear" of the machine are referenced from the operator's perspective when in the normal operating position and facing forward travel direction.

GENERAL SAFETY INSTRUCTIONS

READ THIS OPERATOR'S MANUAL and instructions furnished with attachments.

Perform only those maintenance procedures described in this manual. If major repairs are ever needed or assistance is desired, contact an Authorized Encore Dealer. To ensure

optimum performance and safety, always purchase genuine Encore replacement parts and accessories.

SIGNAL WORDS



This symbol means "**Attention! Become Alert! Your Safety is Involved!**" The symbol is used with the following signal action words to attract your attention to safety messages. The message that follows the symbol contains important information about safety.

Signal Word:

 **WARNING:**

The signal action word "WARNING" denotes that a hazard exists on or near the machine that can result in injury or death if proper precautions are not taken.

 **CAUTION:**

The signal action word "CAUTION" is a reminder of safety practices on or near the machine that could result in personal injury if proper precautions are not taken.

NOTES:

The signal action word "NOTES" denotes relevant information to assist you in the performance of a task.

GENERAL RULES OF SAFETY FOR OPERATION.

The follow general rules of safety should be followed whenever THE MOWER IS BEENING USED. Good judgement and common sense should always prevail.

1. Read and thoroughly understand this manual, and all decals on unit, before attempting to operate.

WARNING:

DO NOT allow children to operate the machine. **DO NOT** allow any adult to operate the machine without proper instruction.

2. **DO NOT** mow when children and/or bystanders are present.

3. **ALWAYS WEAR SUITABLE CLOTHING** when operating machine, proper boots, gloves, and eye protection- **NO LOOSE-FITTING APPERL** that could get caught in the moving parts of machine.

4. Always be alert when operating machine. Do not let outside interests distract you.

5. Always clear area to be mowed of any foreign objects (stones, wire, cans, bottles, etc. That could be picked up and thrown by mower.

6. Always be certain that any self-propelling unit is **DISENGAGED** before attempting to start engine.

7. Always disengage power, stop engine, and remove spark plug wire, before attempting any inspection, adjustment, cleaning, or repair.

8. Use care when mowing around fixed objects. Never deliberately run over foreign

objects as damage to machine and/or others may result.

9. Never mow on a surface angle greater than 15 degrees. Mow across a slope less than 15 degrees, **NEVER** up and down.

10. **DO NOT** alter governor setting on engine. Engine over speed could result in severe damage and/or injury.

11. Keep all shields and safety devices intact. **DO NOT** try to circumvent or disable these features.

12. **DO NOT** mow at night or in times of low visibility.

13. **DO NOT** operate engine in confined air space where carbon monoxide fumes can collect.

CAUTION:

Never add fuel to a running engine. **ALWAYS WAIT** at least five minutes before refueling and **REFUEL WITH THE ENGINE OFF. KEEP FUEL AWAY FROM SPARKS OR FLAMES. WIPE AWAY** any fuel spillage **BEFORE** starting unit.

14. **ALWAYS STOP ENGINE** before leaving mower unattended for any length of time.

15. **DO NOT** operate machine without muffler.

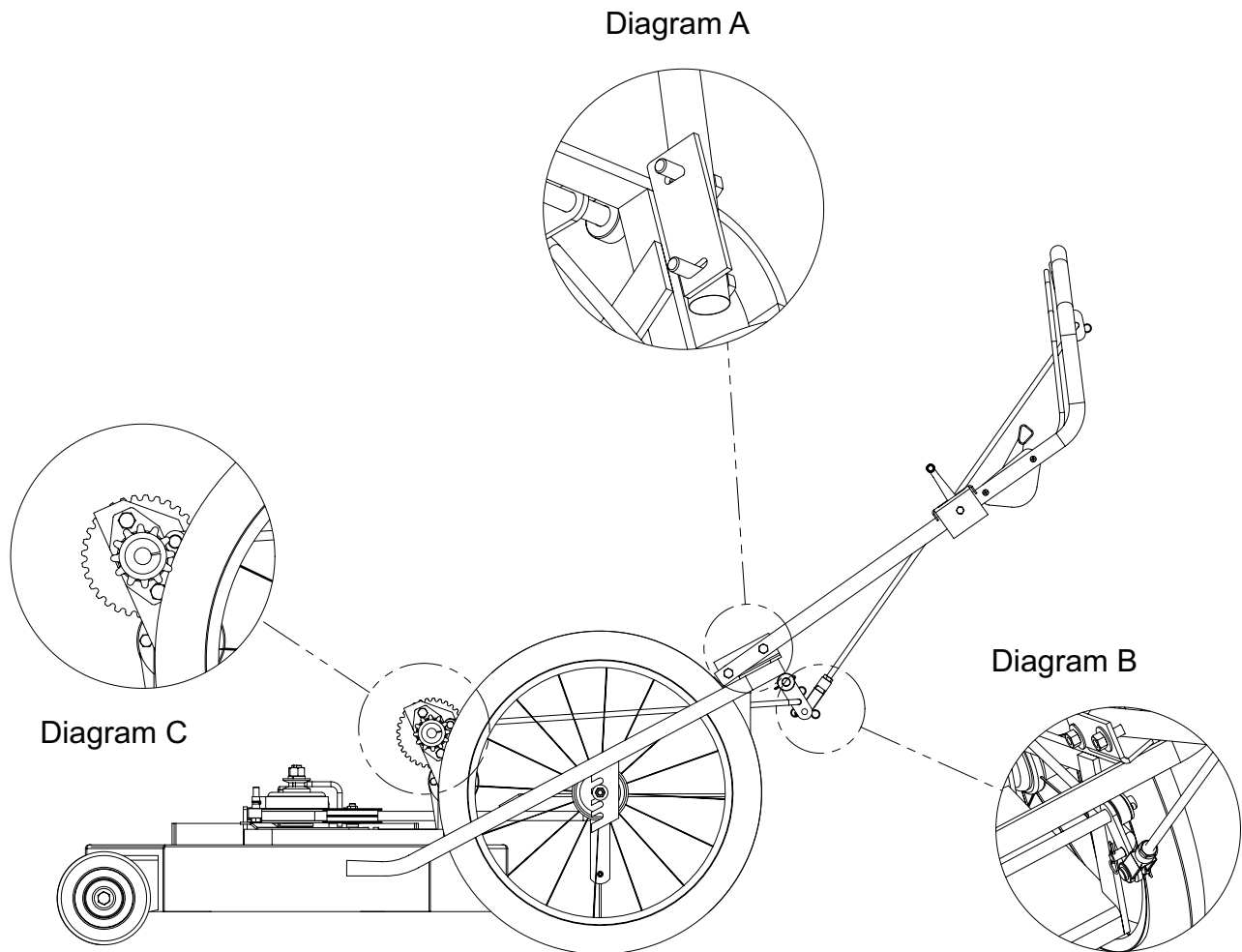
16. **KEEP** all nuts, bolts and screws tight. Keep your High Wheel in good working condition.

SET-UP AND MAINTIANCE

⚠ CAUTION:

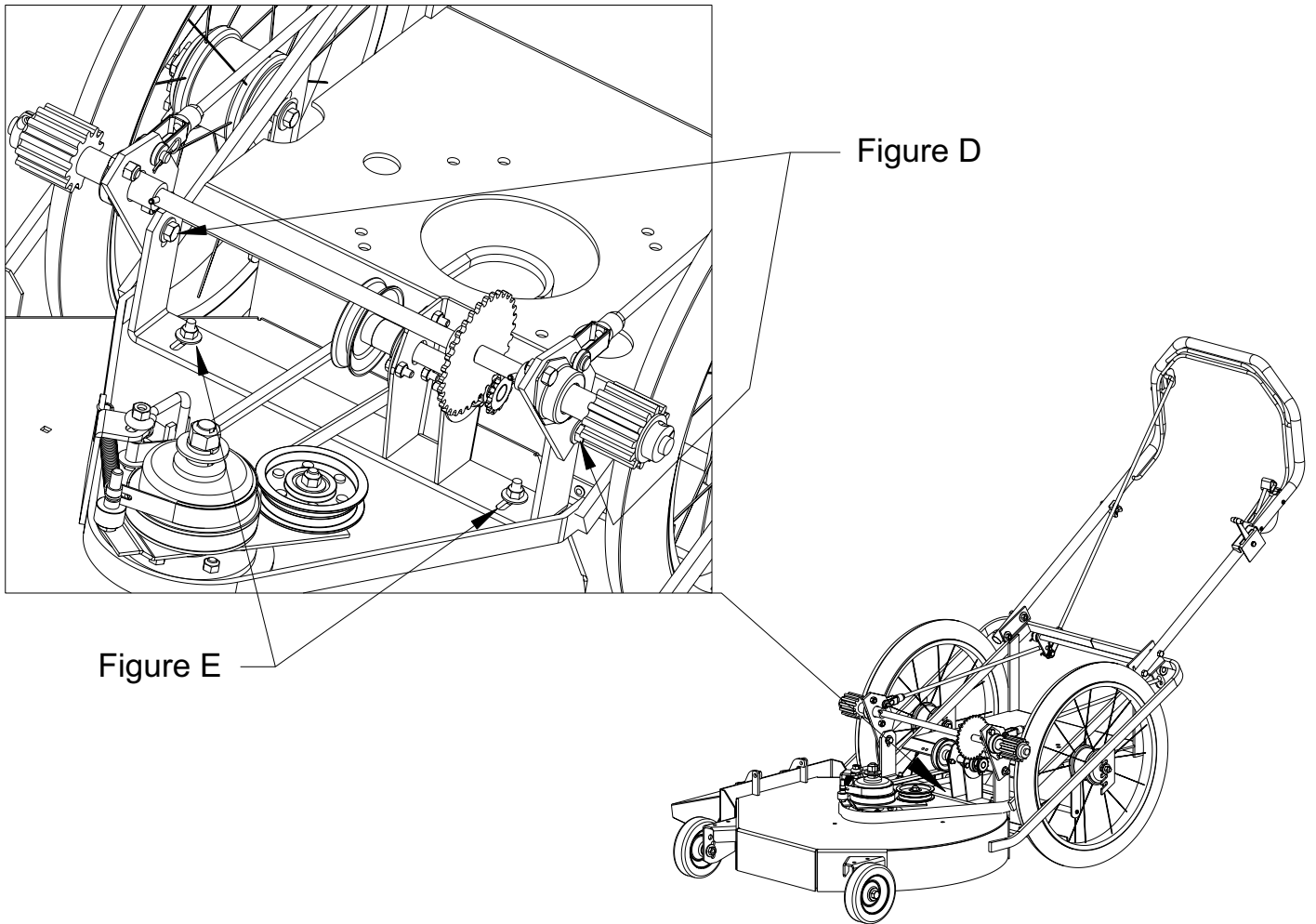
Engine has not been serviced prior to delivery. Consult engine manual to properly service engine before use.

1. Install handle by flipping handle into place using the bolts located in the handle support. See diagram a. (Note that the handle frame is slotted so the handle can be adjusted to the right operator height for operator comfort).



2. Install wheel drive engaging rod and adjust so that the drive cogs engage the tire. See diagram (b & c). Note that the tires should be inflated to 30 pounds.

3. Drive chain may be adjusted by loosening the top bracket located by the cog assemble (Refer to figure d) When adjusting the drive chain you must adjust both sides equally. After adjusting the chain reset cog tension by removing the pin in the yoke attached to the cog bracket and shortening the rod length to increase cog pressure.



4. The drive belt maybe adjusted by loosening the bolts in the lower frame support and shifting it forward of back. (Refer to f)

HEIGHTS ADJUSTMENTS:

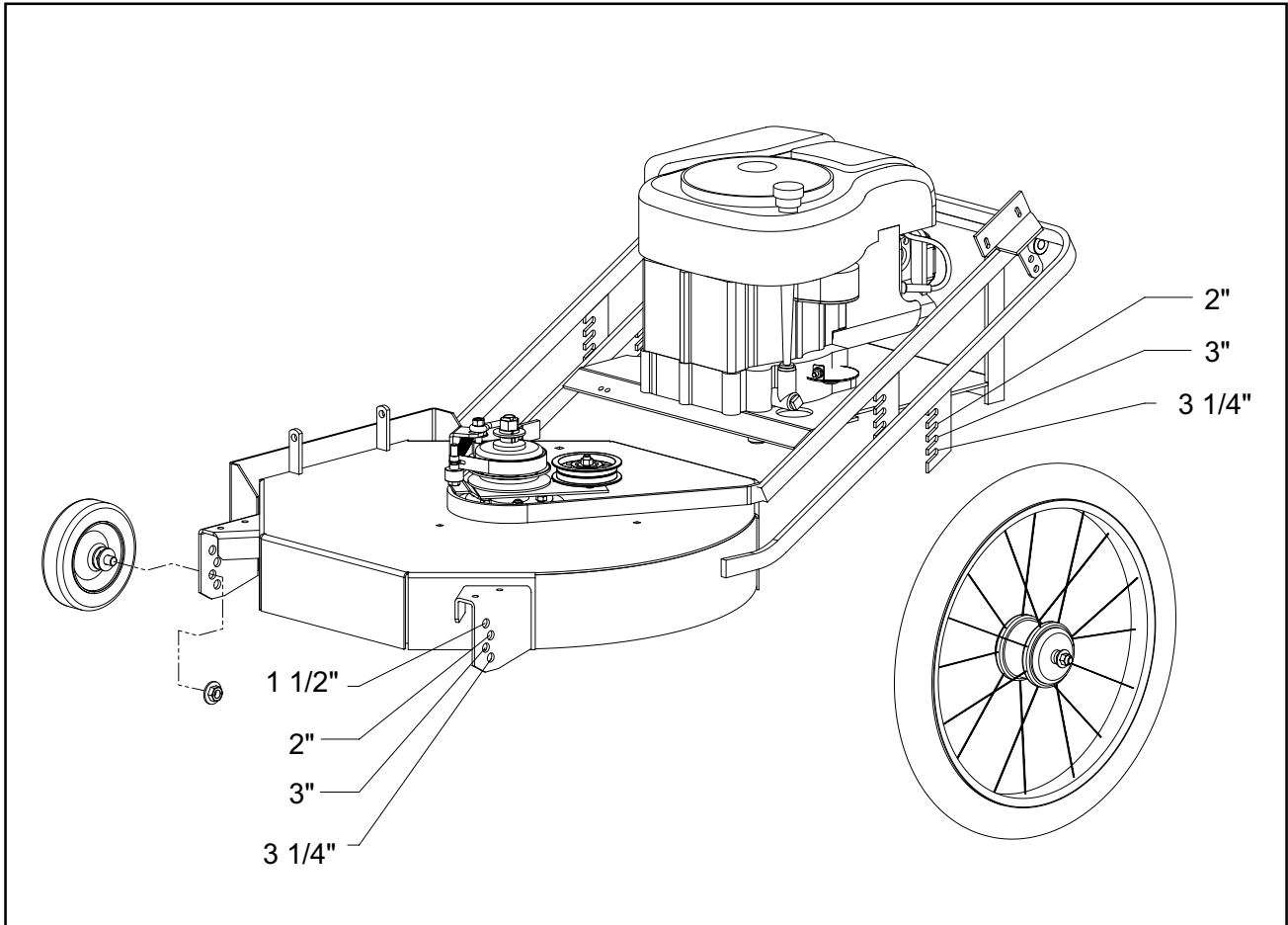


Figure C

Adjust cut setting by changing wheel heights according to figure (c).

Mower blade:

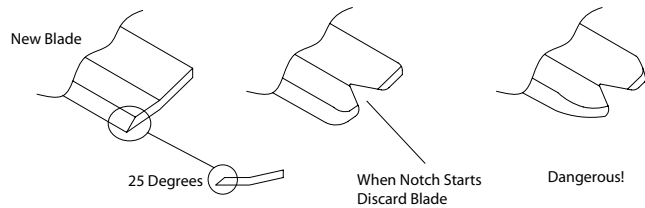
Check sharpness of mower blades after every 10 hours of operation. To sharpen blades proceed as follows.

- a. Block front of mower up.

⚠ CAUTION:

Stop engine and remove spark plug for safety.

- b. Remove blade by turning bolt counter clockwise.
- c. Blades should be discarded when worn excessively. See Sketch.



- d. Sharpen blades with a hand file, electric grinder or blade sharpener. Wear gloves and eye protection when sharpening. Grind blade at original bevel.
- e. Check balance of blade by positioning the blade on a nail or blade balance pedestal.
- f. Reinstall blade making sure that the disc spring washer is bowl side up and re-torque bolt to 90 ft pounds.

To Begin Operation

The throttle control/choke lever is located on left side of handlebar. To engage choke, push throttle control lever all the way forward.

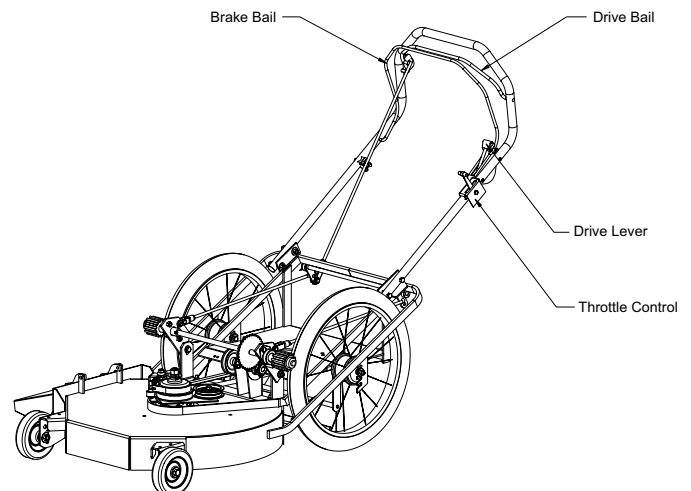
Choke as required and start engine.

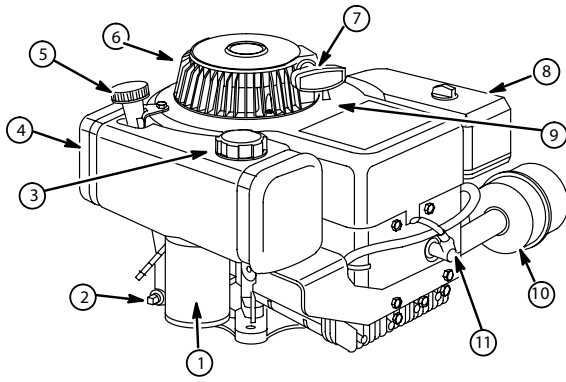
With engine running, engage the brake bail by squeezing it to the handlebar. Then push forward on the black plastic drive lever (located on left side of handlebar just above the throttle control) until it locks into the forward position.

To drive machine forward, engage the wheel drive bail (located on the uppermost part of handlebar) by squeezing it to the handlebar.

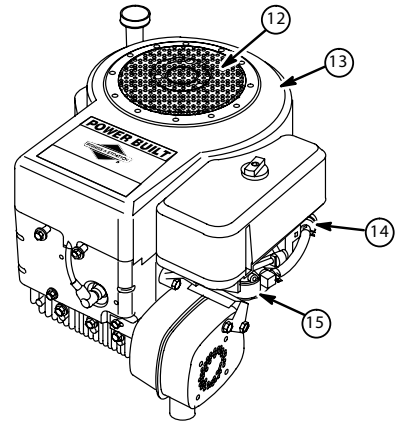
To stop machine from pulling forward, release only the wheel drive bail.

To shut off engine: release the wheel drive bail and the brake bail. Adjust the throttle control to the engine stop position.





1. 12 V electric starter
2. Oil drain plug
3. Fuel fill
4. Fuel tank
5. Oil fill/Dipstick
6. Finger guard
7. Rope handle
8. Air cleaner



9. Engine Model Type Code
xxxxx xxxx xx xxxxxxxx
10. Muffler/(Muffler guard, if equipped)/
(S park arrester, if equipped)
11. Spark plug wire
12. Rotating screen
13. Blower housing
14. Fuel filter
15. Carburetor

GENERAL INFORMATION

ENGINE MODEL

This is a single cylinder, L-head, air-cooled engine. It is a low emissions engine.

MODEL SERIES 280000

Bore 3-7/16 in. (87.31 mm)

Stroke 3-1/16 in. (77.78 mm)

Displacement 28.42 cu. in. (465.7 cc)

Note: For practical operation, the horsepower loading should not exceed 85% of rated horsepower. Engine power will decrease 3-1/2% for each 1,000 feet (300 meters) above sea level and 1% for each 10 F (5.6 C) above 77 F (25 C). Engine will operate satisfactorily at an angle up to 15 .

TUNE-UP SPECIFICATIONS

Armature air gap . . . 0.010 – 0.014 in. (0.25 – 0.36 mm)

Spark plug gap 0.030 in. (0.76 mm)

Valve clearance with valve springs installed and piston 1/4 in. (6 mm) past top dead center (check when engine is cold). See Repair Manual P/N 270962.

Model 280000 intake005 – .007 in. (.13 – .18 mm)

Model 280000 exhaust009 – .011 in. (.23 – .28 mm)

CAUTION: This engine is shipped from Briggs & Stratton without oil. Check oil level before starting engine. If you start the engine without oil, the engine will be damaged beyond repair and will not be covered under warranty.

OIL CAPACITY

Engine Model Series 280000 holds about 1-1/2 qts (48 ozs or 1.4 ltrs).

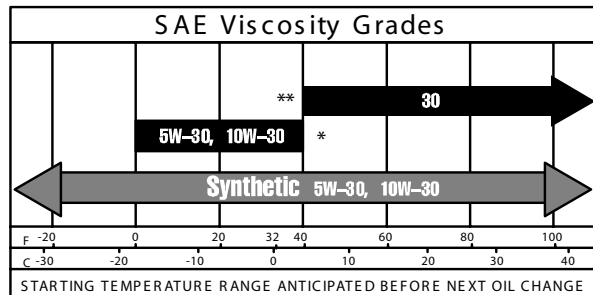
TYPE OF OIL TO USE

Use a high quality detergent oil classified "F or S Service SF, SG, SH, SJ" or higher, such as Briggs & Stratton 30W, Part Number 100005 (20 oz) or 100028 (48 oz).

Do not use special additives.

Choose a viscosity according to the table opposite.

Note: Synthetic oil meeting ILSAC GF-2, API certification mark and API service symbol (shown at left) with "SJ/CF ENERGY CONSERVING" or higher, is an acceptable oil at all temperatures. Use of synthetic oil does not alter required oil change intervals.

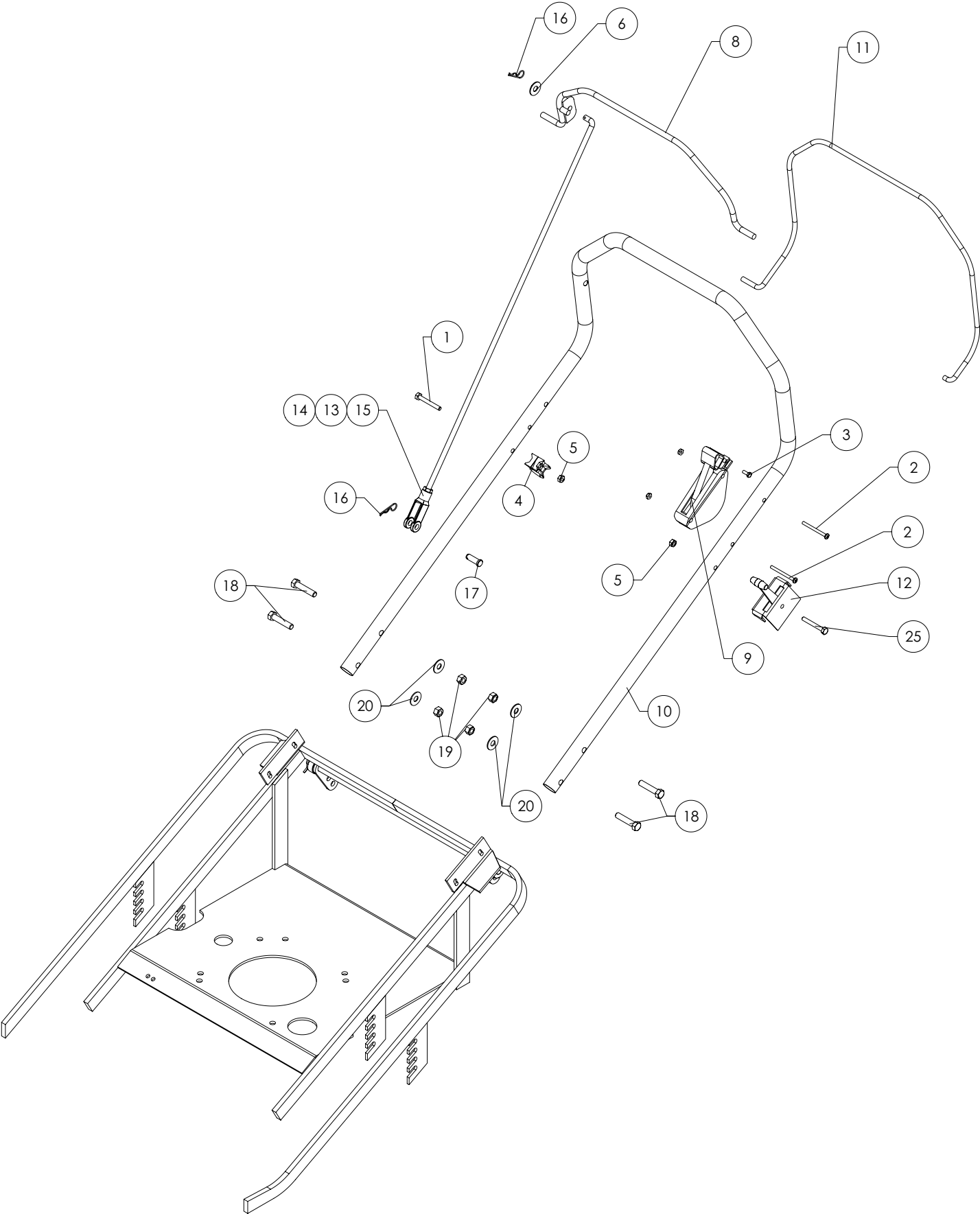


* **CAUTION:** Air cooled engines run hotter than automotive engines. The use of non-synthetic multi-viscosity oils (5W-30, 10W-30, etc.) in temperatures above 40 F (4 C) will result in higher than normal oil consumption. When using a multi-viscosity oil, check oil level more frequently.

** **CAUTION:** SAE 30 oil, if used below 40 F (4 C), will result in hard starting and possible engine bore damage due to inadequate lubrication.

PARTS MANUAL SECTION

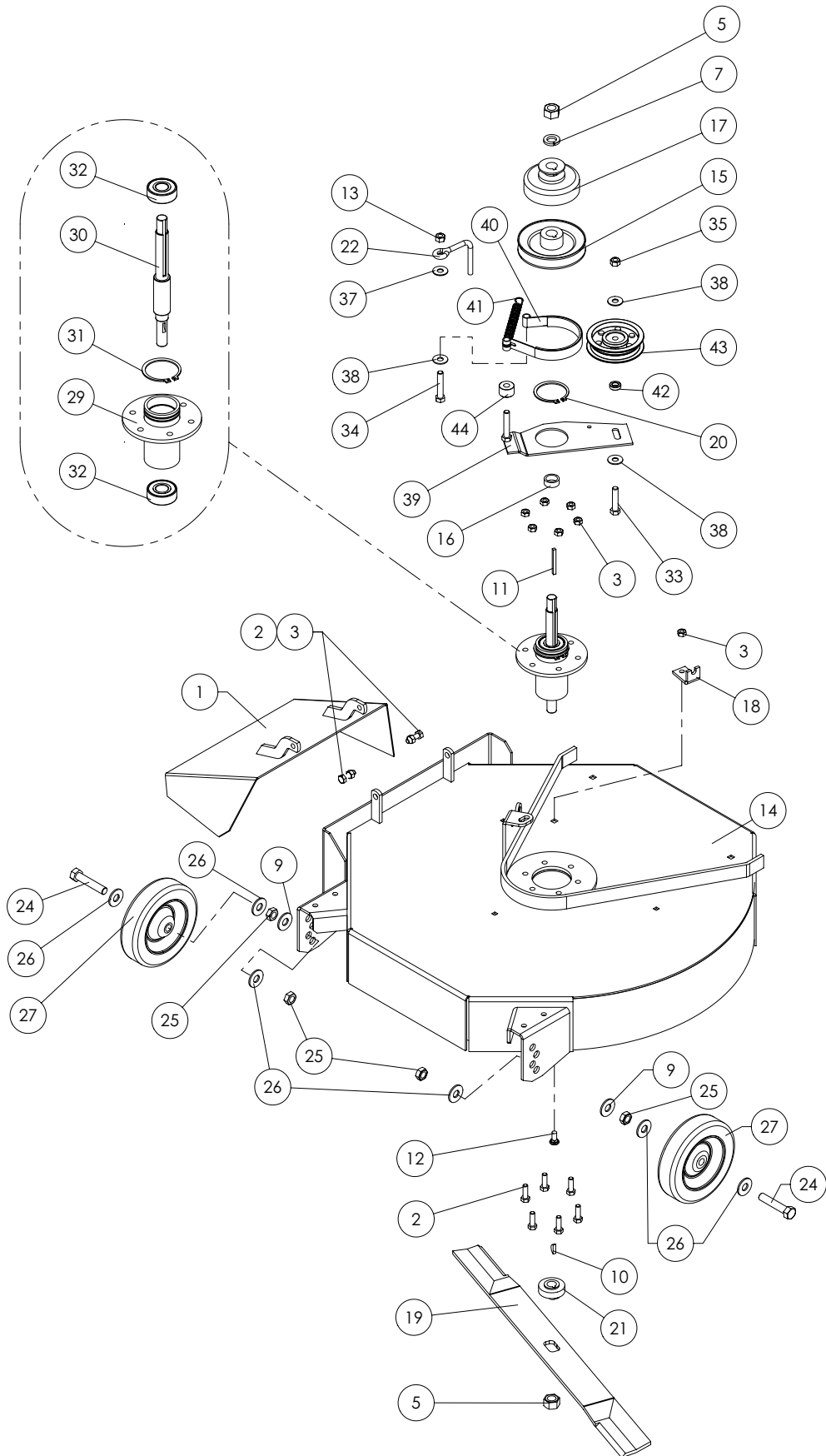
HANDLE ASSEMBLY



26" High Wheel Walk-Behind Handle Assembly

#	QTY	PART #	DESCRIPTION	
	1		HANDLE ASSY.	
		QTY	PART #	DESCRIPTION
1		2	100258	1/4 - 20 X 2.00 HHCS
2		2	101298	# 10 – 24 x 2 1/4
3		1	103003	#10-14 x 1/2 PLASTITE SCREW (FOR PLASTIC)
4		1	103021	ROPE GUIDE
5		3	104255	1/4 - 20 NYLOC NUT
6		1	105259	3/8 SAE FLAT WASHER
7		1	105507	POP RIVET BURR 3/16
8		1	262006	DRIVE BAIL WELDMENT
9		1	263036	DRIVE CABLE
10		1	263058	HANDLE
11		1	263062	BRAKE BAIL
		1	263088	BAIL PUSH NUT
12		1	263089	THROTTLE CONTROL
		1		ENGAGEMENT ROD ASSY.
		QTY	PART #	DESCRIPTION
13		1	104754	3/8 – 24 HEX JAM NUT
14		1	263066	DRIVE ENGAGEMENT ROD
15		1	363192	LARGE YOKE
16		2	363165	# 3 HAIRPIN
17		1	363196	CLEVIS PIN – 3/8
				FINAL ASSY
		QTY	PART #	DESCRIPTION
18		4	100295	3/8-16 X 1-3/4 HHCS
19		7	104257	3/8 – 16 NYLOC NUT
20		4	105260	3/8 STD FLAT WASHER

MOWER DECK ASSEMBLY



26" High Wheel Walk-Behind Mower Deck Assembly

#	QTY	PART #	DESCRIPTION
1	1		DEFLECTOR SHIELD
			FINAL ASSY
	QTY	PART #	DESCRIPTION
2	10	100273	5/16 – 18 X 1 HHCS
3	11	104256	5/16 – 18 NYLOC NUT
4	7	104257	3/8 – 16 NYLOC NUT
5	2	104512	5/8 – 18 HEX NUT
6	2	104755	1/2 - 20 HEX JAM NUT PLATED
7	1	105009	LOCKWASHER - .625
8	4	105260	3/8 STD FLAT WASHER
9	4	105264	1/2 STD. FLATWASHER
10	1	107009	WOODRUFF KEY
11	1	107266	3/16 X 3/16 X 2 MACHINE KEY
12	1	107503	5/16 – 18 x 3/4 CARRIAGE HEAD BOLT
13	3	109007	3/8 - 16 WHIZLOCK NUT
14	1		MAIN FRAME WELDMENT – PAINTED
15	1	263008	BLADE SPINDLE PULLEY
16	1	263012	SPACER - BLADE SHAFT
17	1	263016	BLADE BRAKE HUB
18	1	263072	BRAKE CONDUIT HOLDER
19	1	263092	26" BLADE
20	1	263097	RETAINING RING
21	1	263098	BLADE DRIVER
22	1	263115	BLADE BRAKE - GUIDE
23	2		FRONT WHEEL ASSY.
	QTY	PART #	DESCRIPTION
24	1	100537	1/2 - 20 x 2 1/2 HHCS UNF
25	1	104755	1/2 - 20 HEX JAM NUT
26	2	105264	1/2 STD. FLATWASHER
27	1	263087	FRONT WHEEL
28	1		SPINDLE HOUSING ASSY
	QTY	PART #	DESCRIPTION
29	1	262018	SPINDLE HOUSING WELDMENT
30	1	263023	BLADE SPINDLE
31	1	263097	RETAINING RING
32	2	553011	SPINDLE BEARINGS
		AR	THREAD LOCKER 242
	1		BLADE BRAKE ARM ASSY
	QTY	PART #	DESCRIPTION
33	1	100295	3/8 – 16 X 1.75 HHCS
34	1	100296	3/8 – 16 x 2.0 HHCS
35	2	104257	3/8 – 16 NYLOC NUT

26" High Wheel Walk-Behind Mower Deck Assembly

#	QTY	PART #	DESCRIPTION		
		QTY	PART #	DESCRIPTION	
36			1	104753	3/8 – 16 JAM NUT
37			1	105259	3/8 SAE WASHER
38			3	105260	3/8 STD WASHER
39			1	262012	BLADE BRAKE WELDMENT
40			1	263028	BRAKE BAND
41			1	263076	BRAKE SPRING
42			1	363097	SPACER - TURNBUCKEL
43			1	523328	FLAT IDLER – MULE DRIVE
44			1	823309	FRAME SPACER – pltd.

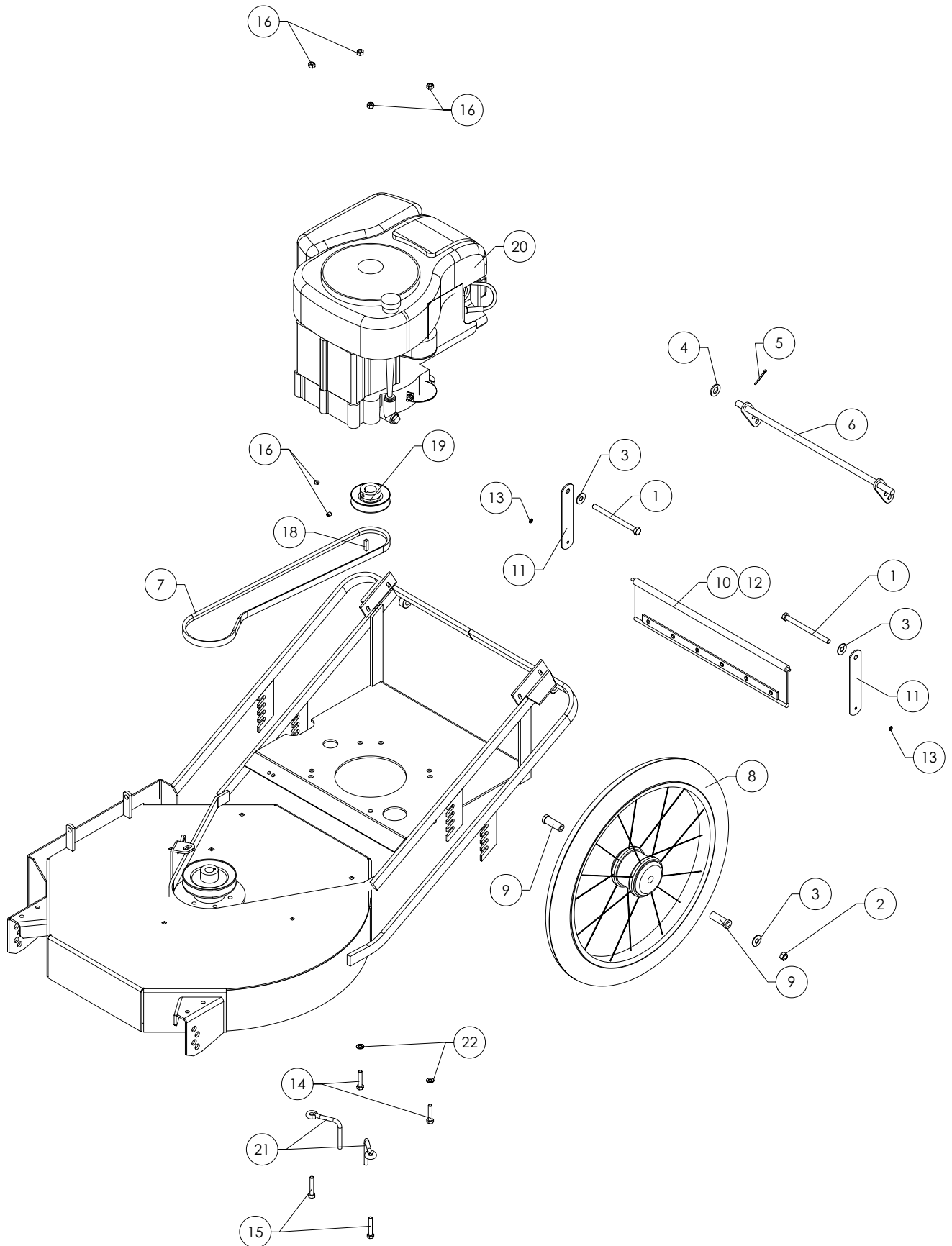
26" High Wheel Walk-Behind Drive Assembly

#	QTY	PART #	DESCRIPTION
			FINAL ASSY
	QTY	PART #	DESCRIPTION
1	2	107509	5/16-18 X 1 CARR. BOLT
2	1	263050	BELT SHIELD
3	1	263063	DRIVE BELT
	2	264012	DRIVE ROD ASSY
	QTY	PART #	DESCRIPTION
4	1	104754	3/8 – 24 HEX JAM NUT
5	1	263034	DRIVE ROD
6	1	363192	LARGE YOKE
	1		FINAL DRIVE ASSY.
	QTY	PART #	DESCRIPTION
7	2	100293	3/8-16 X 1-1/4 HHCS
8	2	104257	3/8-16 NYLOC NUT
9	6	105258	5/16 STD. FLATWASHER
10	1	263090	DRIVE CHAIN
	1	263091	CONN. LINK
	1		JACKSHAFT ASSY
	QTY	PART #	DESCRIPTION
11	6	100252	1/4 -20 x 3/4 HHCS
12	2	103293	SETSCREWS - KNURLED CUP POINT
13	6	104255	1/4 - 20 NYLOC NUT
14	1	262010	JACK SHAFT WELDMENT
15	1	263020	CONVERSION PULLEY
16	1	263056	MED. SPROCKET
17	1	263109	17mm JACK SHAFT
18	1	263111	BEARING SPACER
19	2	263112	3 BOLT 17mm BEARING
	1		DRIVE ASSY
	QTY	PART #	DESCRIPTION
20	4	100291	3/8 – 16 X 3/4 HHCS
21	2	103293	5/16 – 18 X 3/8 SET SCREW
22	4	104257	3/8 – 16 NYLOC NUT
23	4	105267	5/8 SAE WASHER
24	2	106328	3/16 x 1.50 ROLLPIN
25	1	262021	DRIVER w/ BEARING RIGHT
26	1	262022	DRIVER w/ BEARING LEFT
27	1	263018	DRIVE SHAFT
28	1	263024	LARGE SPROCKET
29	2	263026	DRIVE SHAFT SUPPORT
	QTY	PART #	DESCRIPTION
30	2	363292	FLANGE BEARING

26" High Wheel Walk-Behind Drive Assembly

#	QTY	PART #	DESCRIPTION	
		QTY	PART #	DESCRIPTION
31			2	363339 5/8 CLAMP COLLAR
32			4	373086 BLADE SPACER
33		2	363174	EYEBOLT SPACER
34		4	363165	COTTER PIN # 2 HAIRPIN
35		2	363196	CLEVIS PIN -3/8

HEIGHT ADJUSTMENT ASSEMBLY



26" High Wheel Walk-Behind Height Adjustment Assembly

#	QTY	PART #	DESCRIPTION
			FINAL ASSY
	QTY	PART #	DESCRIPTION
1	2	100306	3/8 – 16 x 5 HHCS
2	7	104257	3/8 – 16 NYLOC NUT
3	4	105260	3/8 STD FLAT WASHER
4	1	105266	1/2 SAE FLAT WASHER
5	1	106763	1/8 x 11/4 COTTER PIN
6	1	262008	DRIVE CRANK WELDMENT
7	1	263064	DECK DRIVE BELT
8	2	263086	DRIVE WHEELS
9	4	263117	DRIVE WHEEL SPACER
	1		DRAG FLAP ASSY
	QTY	PART #	DESCRIPTION
10	1	262023	DRAG FLAP w/ STIFFENERS
11	2	263014	DRAG SHIELD STRAP
12	1	263075	DRAG FLAP ROD
13	2	363219	PUSH NUT
	1		8.5 HP BRIGGS ENGINE ASSY.
	QTY	PART #	DESCRIPTION
14	2	100275	5/16 – 18 X 1 1/2 HHCS
15	2	100276	5/16 – 18 X 1 3/4 HHCS
16	2	103293	SET SCREWS 5/16 – 18 X 3/8
17	4	104256	5/16 – 18 NYLOC NUT
18	1	107259	.25 X .25 X 1.00 MACH. KEY
19	1	263085	ENGINE PULLEY
20	1	SEE NOTE	8.5 HP BRIGGS W/FUEL TANK
21	2	363075	BELT GUIDE
22	4	363226	DISC SPRING

NOTE:

ENCORE MFG. CO. DO NOT SERVICE OR STOCK PARTS FOR ENGINES ON OUR UNITS.
PLEASE CONTACT ENGINE MFG. FOR PART INFORMATION.

DECAL LIST

Classic

1



2



4



3



5

ENCORE

7



8



9

26" High Wheel Walk-Behind Decal List

#	QTY	PART #	DESCRIPTION
1	1	263031	CLASSIC LABEL
2	1	263069	PRO 26 LABEL
3	1	263118	WHEEL DRIVE DECAL
4	1	363001	CAUTION DECAL
5	2	363023	DANGER DECAL
6	1	363026	SERIAL NO. PLATE
7	1	363317	POLY ENCORE LABEL
8	1	363318	POLY ENCORE LOGO
9	1	823323	ROTATING PARTS DECAL

ENCORE WARRANTY

This warranty extends to the original retail purchaser only and commences on the date of original retail purchase. Any part of the Encore commercial mower manufactured by Encore Mfg. Co., Inc. and found in reasonable judgment of Encore Mfg. Co., Inc. to be defective in material or workmanship, will be repaired or replaced by an authorized Encore Dealer without charge for parts and labor. The Encore mower including any defective part must be returned to an authorized Encore service dealer within the warranty period. The expense of delivering the mower to the dealer for warranty work and the expense of returning it back to the owner after repair or replacement will be paid by the owner. Should any part prove to be defective within the two years (tires, belts and batteries are 90 days) of original purchase (90 days for rental purposes), the part will be replaced F.O.B. Beatrice, Nebraska.

Cutter housings, electrical components, hydraulic components and electric clutch must be returned before warranty will be paid.

The responsibility of Encore Mfg. Inc. In respect to claim is limited to making the required repairs or replacements, and no claim of breach of warranty shall be cause for cancellation or recession of the contract of sale of any Encore mower.

Proof of purchase is required by both Encore and servicing Dealer before any warranty will be paid, and warranty work must be preformed by an authorized Encore service dealer.

This warranty does not cover any Encore mower that has been altered or modified so as to adversely affect the intended use of the product, it operation, performance, or durability. As will as any mower that has been subject to misuse, neglect, negligence, accident or that has been operated in any way contrary to the operating instructions as specified in the Operators Manual.

This warranty does not cover the engine, which is warranted separately by the engine manufacturer. However this warranty covers the Peerless 5 Speed Transmission for a period of one year.

Encore Mfg. Co., Inc. reserves the right to change or improve the design of any mower without assuming any obligation of any mower without assuming any obligation to modify any mower previously manufactured.

Encore Mfg. Co., Inc. obligation under warranty is strictly and excessively limited to repair or replacement of defective parts. Encore Mfg. Co., Inc. does not assume or authorize anyone to assume for them any other obligation.

ENCORE MFG. CO., INC. CANNOT BE RESPONSIBLE FOR THE WAY YOU OPERATE, OR THE CONDITIONS IN WHICH YOU OPERATE THE MOWER. USE COMMON SENSE AT ALL TIMES.

