



EW32FS481V

EW36FS481V

EW48FS481V

EW32FS481VCA

EW36FS481VCA

EW48FS481VCA



PARTS MANUAL



ENCORE MANUFACTURING

A DIVISION OF WORL DLAWN POWER EQUIPMENT, INC.

ENCOREEQUIPMENT.COM

2415 ASHLAND AVE

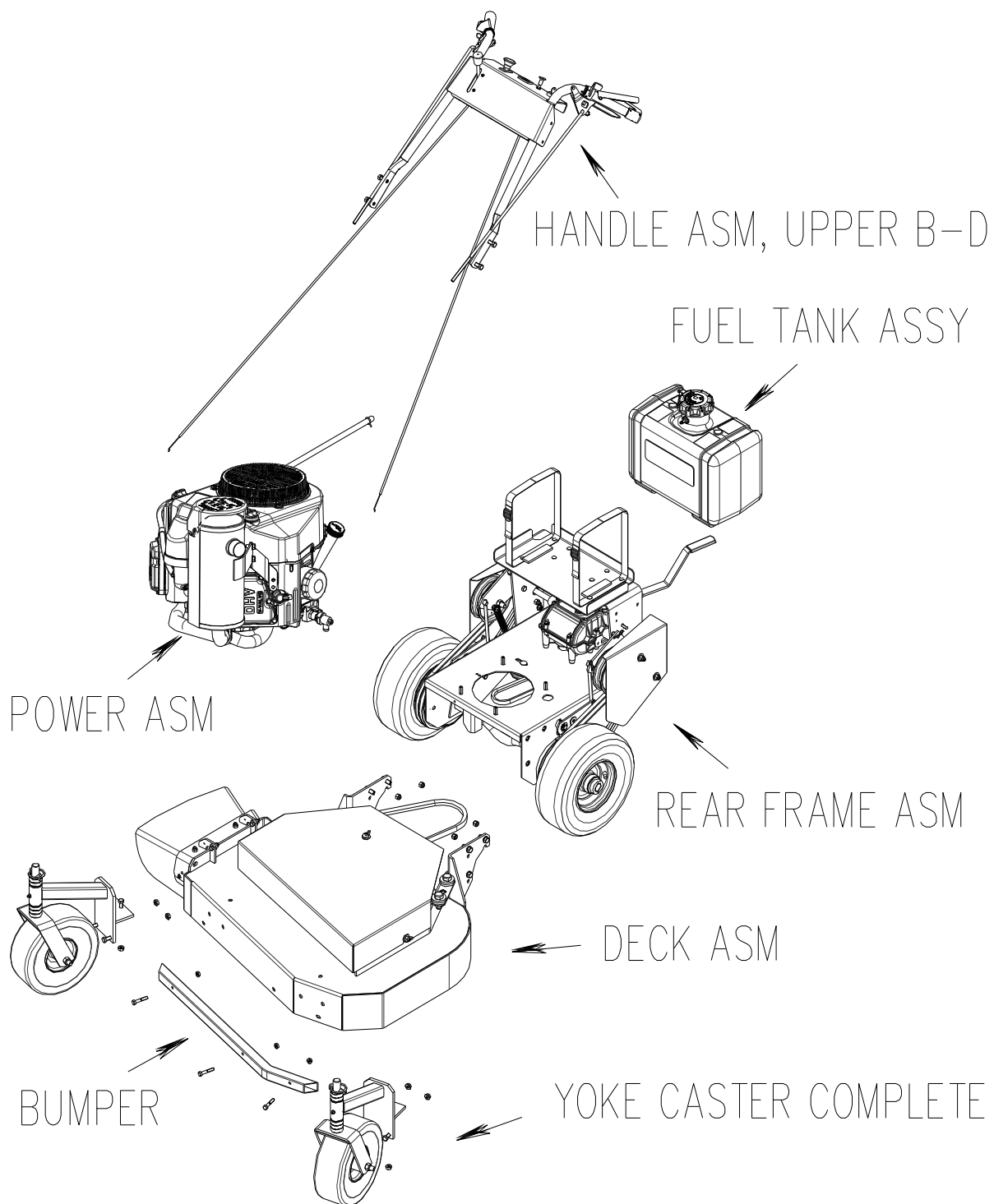
BEATRICE, NE 68310

800-267-4255

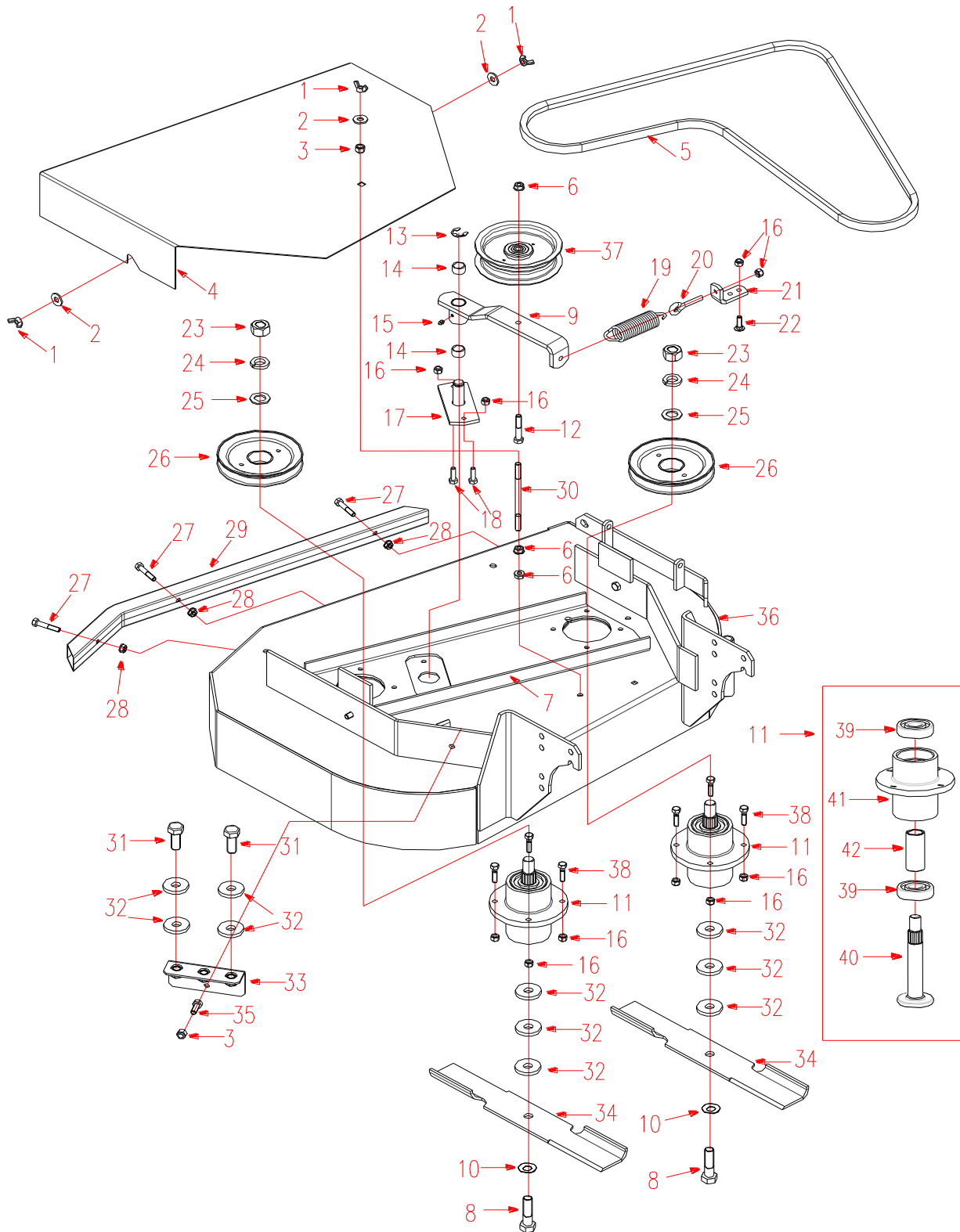
FAX – 402-223-4103

Content

| | |
|---|----|
| WHOLE MOWER..... | 2 |
| DECK ASM, 32" FIXED..... | 3 |
| DECK ASM, 36" FIXED..... | 5 |
| DECK ASM, 48" FIXED..... | 7 |
| REAR DECK ASM, 32" BELT..... | 9 |
| REAR DECK ASM, 36" /48" BELT DRIVE..... | 11 |
| HANDLE ASM, BELT LOWER..... | 13 |
| HANDLE ASM, UPPER B-D..... | 14 |
| YOKE CASTER COMPLETE..... | 15 |
| ASM, 36" RUBBER DEFLECTOR..... | 16 |
| ASM, 48" RUBBER DEFLECTOR..... | 17 |
| POWER ASM, FS481V BELT..... | 18 |
| FIVE GALLON EPA FUEL..... | 19 |
| WIRE..... | 20 |
| DECAL..... | 21 |



DECK ASM, 32" FIXED

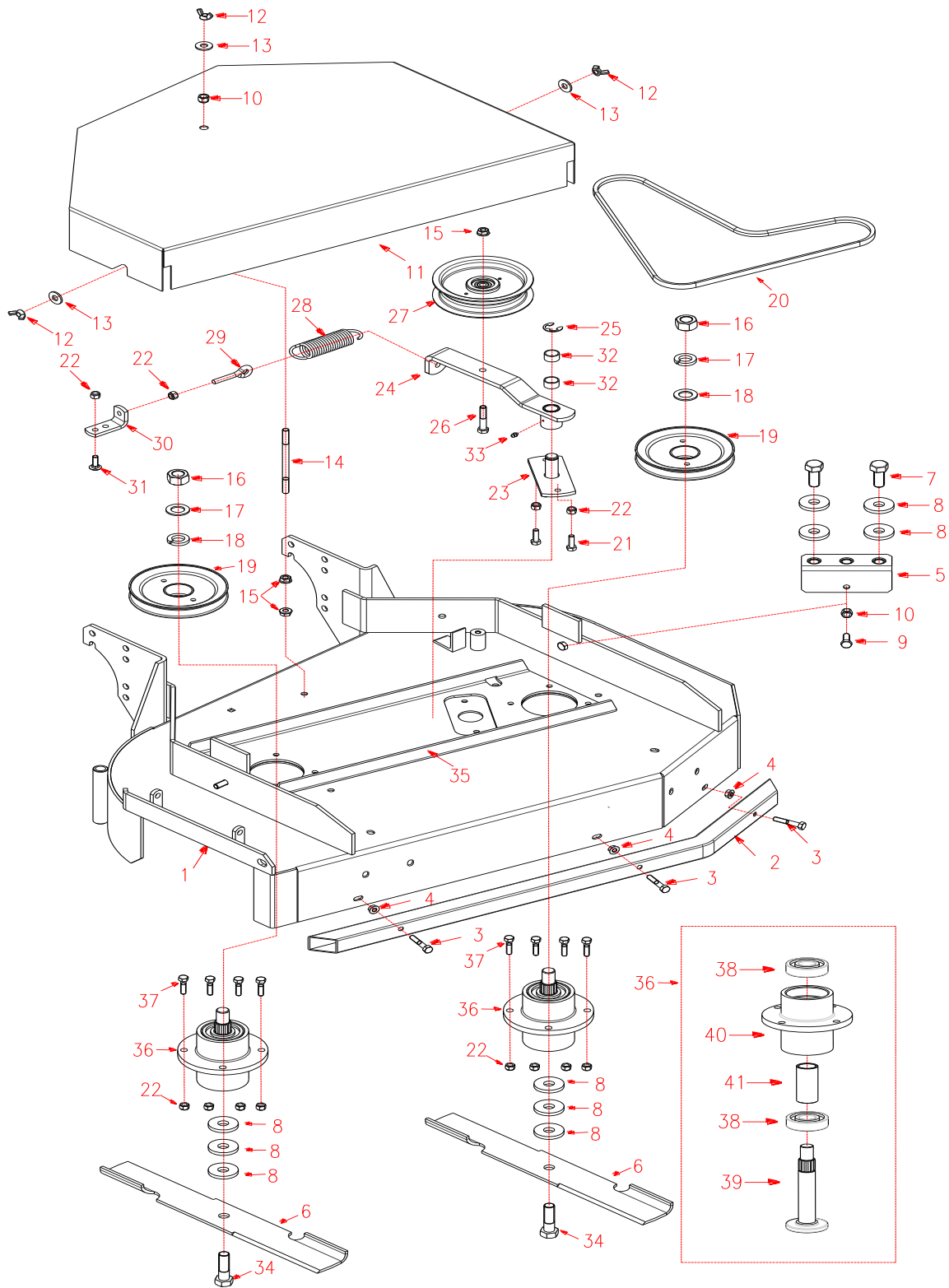




DECK ASM, 32" FIXED

| ITEMS | PART NO. | DESCRIPTION | ITEMS | PART NO. | DESCRIPTION |
|-------|----------|-------------------------|-------|----------|------------------------|
| 1 | 103027 | 3/8-16 WINGNUT-PLTD | 22 | 107509 | 5/16-18 X 1 CARR. BOLT |
| 2 | 105260 | 3/8 STD FLAT WASHER | 23 | 104511 | 3/4-16 UNF REG HEX NUT |
| 3 | 104257 | 3/8-16 HEX NYLOC NUT | 24 | 105010 | 3/4 LOCKWASHER |
| 4 | 322002 | 32" BELT COVER WLDMT | 25 | 105269 | 3/4 SAE FLAT WASHER |
| 5 | 323003 | BLADE DRIVE BELT | 26 | 363378 | RAISED PULLEY - 5 3/4 |
| 6 | 109007 | 3/8-16 WHIZLOCK NUT | 27 | 100276 | 5/16-18 X 1-3/4 HHCS |
| 7 | 323031 | 32" DECK CHANNEL | 28 | 109001 | 5/16-18 WHIZLOCK NUT |
| 8 | 100358 | 5/8-11 X 2-1/4 HHCS | 29 | 323029 | 32" SQUARE BUMPER |
| 9 | 482061 | LEVER WMT, DECK IDLER | 30 | 363090 | BELT SHIELD SUPPORT |
| 10 | 583108 | 5/8 SPRING DISC WASHER | 31 | 100356 | 5/8-11 X 1-1/2 HHCS |
| 11 | 363379 | CUTTER HOUSING ASSY-W/B | 32 | 363382 | BLADE SPACER |
| 12 | 100296 | 3/8-16 X 2 HHCS | 33 | 323019 | LH Z-BAR |
| 13 | 108509 | E-RING 3/4 DIA. | 34 | 483035 | 16" BLADE |
| 14 | 363089 | ENGAGEMENT-BUSH | 35 | 100292 | 3/8-16 X 1 HHCS |
| 15 | 111004 | 1/4-28 ZERK | 36 | 322004 | 32" FRONT DECK WLDMT |
| 16 | 104256 | 5/16-18 HEX NYLOC NUT | 37 | 363264 | ENGAGEMENT IDLER |
| 17 | 362024 | IDLER PIVOT ASSY | 38 | 100274 | 5/16-18 X 1-1/4 HHTB |
| 18 | 100273 | 5/16-18 X 1 HHCS | 39 | 363350 | BEARING |
| 19 | 523327 | FLOATING IDLER SPRING | 40 | 583112 | SPINDLE SHALFT |
| 20 | 363080 | EYEBOLT-RIGHT | 41 | 363380 | BEARING BLOCK |
| 21 | 523094 | SPRING MOUNT-DECK | 42 | 583113 | SEPARATE SLEEVE |

DECK ASM, 36" FIXED

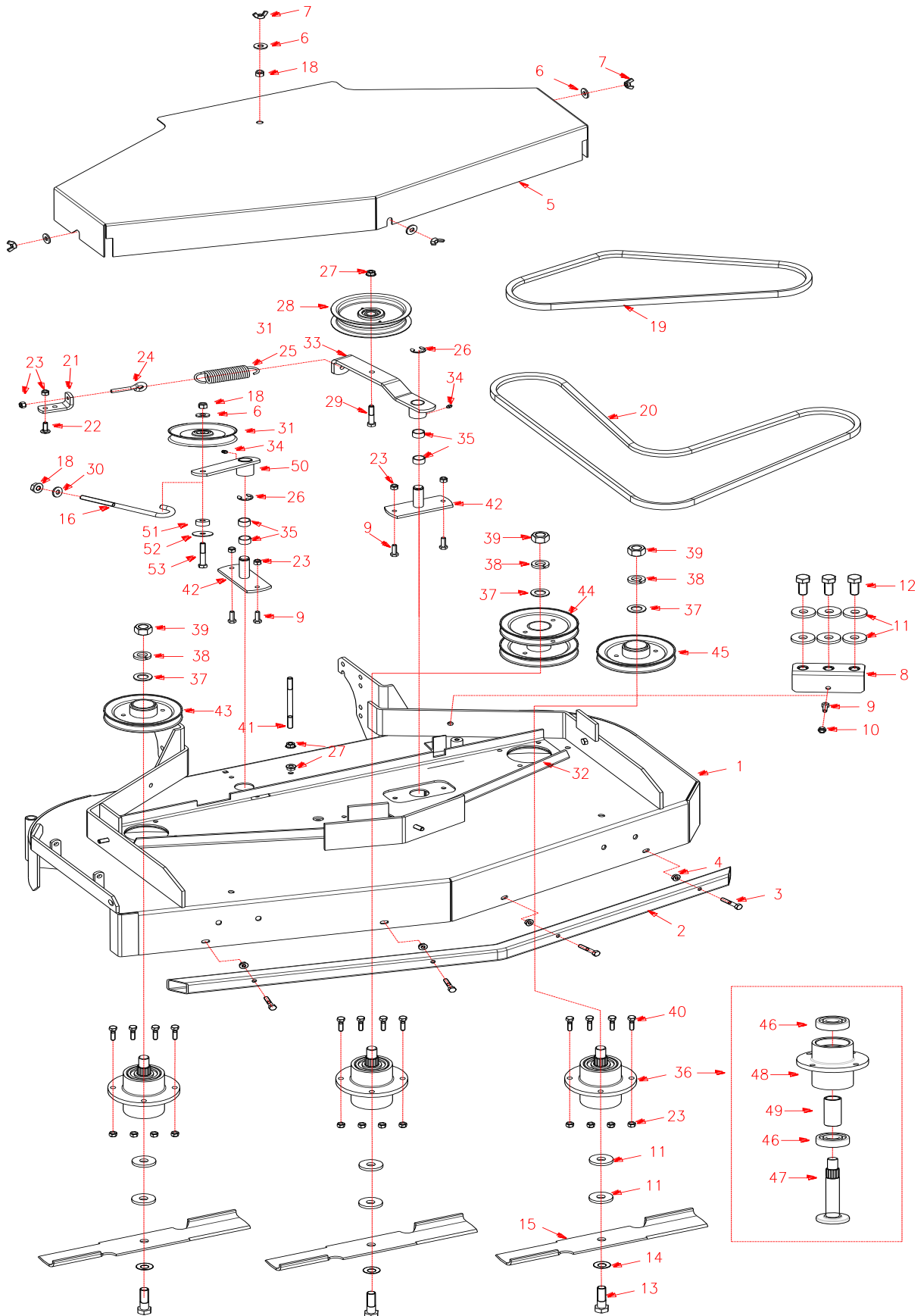




DECK ASM, 36" FIXED

| ITEMS | PART NO. | DESCRIPTION | ITEMS | PART NO. | DESCRIPTION |
|-------|----------|------------------------|-------|----------|-------------------------|
| 1 | 362106 | 36" FRONT DECK WLDMT | 22 | 104256 | 5/16-18 HEX NYLOC NUT |
| 2 | 363304 | 36" SQ. BUMPER | 23 | 362024 | IDLER PIVOT ASSY |
| 3 | 100276 | 5/16-18 X 1-3/4 HHCS | 24 | 482063 | LEVER ASM, DECK IDLER |
| 4 | 109001 | 5/16-18 WHIZLOCK NUT | 25 | 108509 | E-RING 3/4 DIA. |
| 5 | 323019 | LH Z-BAR | 26 | 100296 | 3/8-16 X 2 HHCS |
| 6 | 363291 | 18" BLADE | 27 | 363264 | ENGAGEMENT IDLER |
| 7 | 100356 | 5/8-11 X 1-1/2 HHCS | 28 | 523327 | FLOATING IDLER SPRING |
| 8 | 363382 | BLADE SPACER | 29 | 363080 | EYEBOLT-RIGHT |
| 9 | 100292 | 3/8-16 X 1 HHCS | 30 | 523094 | SPRING MOUNT-DECK |
| 10 | 104257 | 3/8-16 HEX NYLOC NUT | 31 | 107509 | 5/16-18 X 1 CARR. BOLT |
| 11 | 362105 | BELT SHIELD ASSY | 32 | 363089 | ENGAGEMENT-BUSH |
| 12 | 103027 | 3/8-16 WINGNUT-PLTD | 33 | 111004 | 1/4-28 ZERK |
| 13 | 105260 | 3/8 STD FLAT WASHER | 34 | 100358 | 5/8-11 X 2-1/4 HHCS |
| 14 | 363090 | BELT SHIELD SUPPORT | 35 | 362107 | DECK CHANNEL - 36" |
| 15 | 109007 | 3/8-16 WHIZLOCK NUT | 36 | 363379 | CUTTER HOUSING ASSY-W/B |
| 16 | 104511 | 3/4-16 UNF REG HEX NUT | 37 | 100274 | 5/16-18 X 1-1/4 HHTB |
| 17 | 105010 | 3/4 LOCKWASHER | 38 | 363350 | BEARING |
| 18 | 105269 | 3/4 SAE FLAT WASHER | 39 | 583112 | SPINDLE SHALFT |
| 19 | 363378 | RAISED PULLEY - 5 3/4 | 40 | 363380 | BEARING BLOCK |
| 20 | 363210 | BLADE DRIVE BELT | 41 | 583113 | SEPARATE SLEEVE |
| 21 | 100273 | 5/16-18 X 1 HHCS | | | |

DECK ASM, 48" FIXED

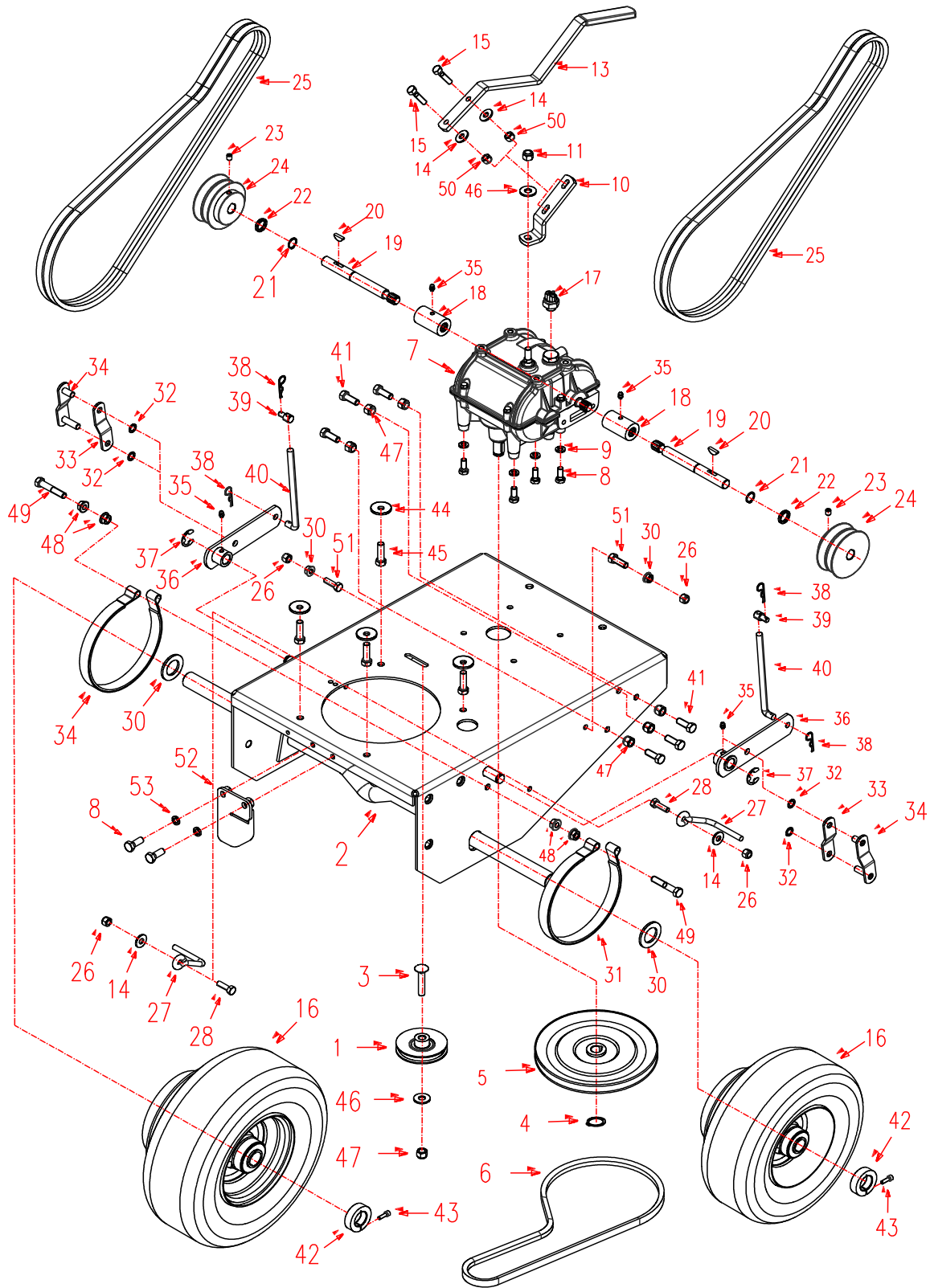




DECK ASM, 48" FIXED

| ITEMS | PART NO. | DESCRIPTION | ITEMS | PART NO. | DESCRIPTION |
|-------|----------|------------------------|-------|----------|------------------------|
| 1 | 482069 | 48" FRONT DECK | 28 | 363264 | ENGAGEMENT IDLER |
| 2 | 483043 | 48" SQ. BUMPER | 29 | 100296 | 3/8-16 X 2 HHCS |
| 3 | 100276 | 5/16-18 X 1-3/4 HHCS | 30 | 105260 | 3/8 STD FLAT WASHER |
| 4 | 109001 | 5/16-18 WHIZLOCK NUT | 31 | 483025 | RH IDLER PULLEY |
| 5 | 482068 | 48" BELT SHIELD | 32 | 482070 | 48" DECK CHANNEL WLDMT |
| 6 | 105260 | 3/8 STD FLAT WASHER | 33 | 482063 | LEVER ASM, DECK IDLER |
| 7 | 103027 | 3/8-16 WINGNUT | 34 | 111004 | 1/4-28 ZERK |
| 8 | 322019 | SPACER HOLDER | 35 | 363089 | ENGAGEMENT-BUSH |
| 9 | 100273 | 5/16-18 X 1 HHCS | 36 | 363379 | CUTTER HOUSING ASM |
| 10 | 104256 | 5/16-18 HEX NYLOC NUT | 37 | 105269 | 3/4 SAE FLAT WASHER |
| 11 | 363382 | BLADE SPACER | 38 | 105010 | 3/4 LOCKWASHER |
| 12 | 100356 | 5/8-11 X 1-1/2 HHCS | 39 | 104511 | 3/4-16 UNF REG HEX NUT |
| 13 | 100358 | 5/8-11 X 2-1/4 HHCS | 40 | 100274 | 5/16-18 X 1-1/4 HHTB |
| 14 | 583108 | 5/8 SPRING DISC WASHER | 41 | 363090 | BELT SHIELD SUPPORT |
| 15 | 483035 | 16" BLADE | 42 | 362024 | IDLER PIVOT ASSY |
| 16 | 483003 | BELT TENSION ROD | 43 | 363431 | LOWERED PULLEY |
| 17 | 105260 | 3/8 STD FLAT WASHER | 44 | 363377 | DOUBLE PULLEY - 5 3/4 |
| 18 | 104257 | 3/8-16 HEX NYLOC NUT | 45 | 363378 | RAISED PULLEY - 5 3/4 |
| 19 | 483031 | RH BLADE BELT | 46 | 363350 | BEARING |
| 20 | 483030 | BLADE DRIVE BELT | 47 | 583112 | SPINDLE SHALFT |
| 21 | 523094 | SPRING MOUNT-DECK | 48 | 363380 | BEARING BLOCK |
| 22 | 107509 | 5/16-18 X 1 CARR. BOLT | 49 | 583113 | SEPARATE SLEEVE |
| 23 | 104256 | 5/16-18 HEX NYLOC NUT | 50 | 482001 | RH IDLER ARM |
| 24 | 363080 | EYEBOLT-RIGHT | 51 | 483017 | RH IDLER SPACER |
| 25 | 108509 | E-RING 3/4 DIA. | 52 | 483019 | RH IDLER WASHER |
| 26 | 523327 | FLOATING IDLER SPRING | 53 | 100297 | 3/8-16 X 2-1/4 HHCS |
| 27 | 109007 | 3/8-16 WHIZLOCK NUT | | | |

REAR DECK ASM, 32" BELT

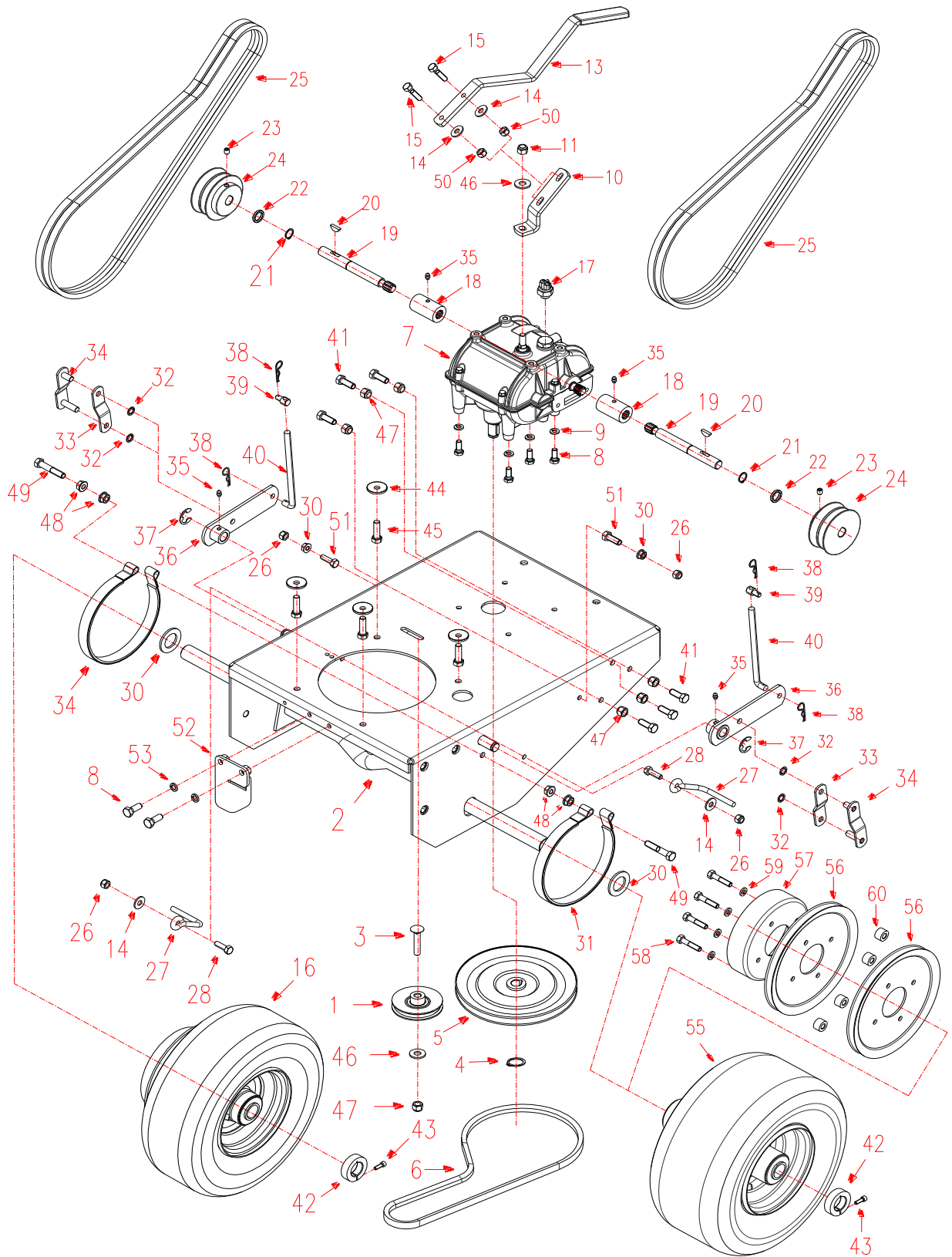




REAR DECK ASM, 32" BELT

| ITEMS | PART NO. | DESCRIPTION | ITEMS | PART NO. | DESCRIPTION |
|-------|-----------|------------------------------------|-------|------------|------------------------------|
| 1 | 363169 | SMALL IDLER | 28 | 100273 | 5/16-18 X 1 HHCS |
| 2 | 322024 | DECK WMT, 32 BELT REAR | 29 | 109001 | 5/16-18 WHIZLOCK NUT |
| 3 | 107501 | 3/8-16 X 2 CARR. BOLT | 30 | 363121 | WHEEL WASHER |
| 4 | 108508 | EXTERNAL SNAP RING 5/8 | 31 | 363176 | 6" BRAKE BAND |
| 5 | 363220 | TRANSMISSION SHEAVE | 32 | 363177 | 3/8 PUSH NUT |
| 6 | 363212 | TRANSMISSION BELT | 33 | 363135 | BRAKE CONNECTOR |
| 7 | 363430 | TRANSMISSION, 5 SP WALK | 34 | 362026 | BRAKE CONNECTOR ASSY |
| 8 | B5783-820 | SCREW, HH TAP M8x20 | 35 | 111004 | 1/4-28 ZERK |
| 9 | 105005 | 5/16 LOCKWASHER-HEAVY | 36 | 362042 | LT BRAKE ARM ASSY |
| 10 | 363128 | SHIFTER BRKT | 37 | 108500 | E-RING 5/8 DIA. |
| 11 | 104251 | 3/8-24 NYLOC NUT | 38 | 363165 | #3 ISSCO HAIRPIN COTTER (#2) |
| 12 | 105260 | 3/8 STD FLAT WASHER | 39 | 363029 | .312 ROD SWIVEL |
| 13 | 362060 | SHIFTER LEVER | 40 | 363142 | BRAKE LINKAGE |
| 14 | 105258 | 5/16 STD FLAT WASHER | 41 | 100292 | 3/8-16 X 1 HHCS |
| 15 | 100274 | 5/16-18 X 1-1/4 HHTB | 42 | 363145 | CLAMP COLLAR |
| 16 | 323027 | DRIVE WHEEL COMPLETE | 43 | B70. 1-510 | CAP SCREW, 5 X 10 HEX |
| 17 | 463128 | TRANSMISSION SWITCH | 44 | 753027 | SPRING DISC WASHER |
| 18 | 362086 | 9 SPL. COUPLER W/ZERK | 45 | 100293 | 3/8-16 X 1-1/4 HHCS |
| 19 | 363367 | SHAFT EXTENSION - 9SPL. | 46 | 105260 | 3/8 STD FLAT WASHER |
| 20 | 107009 | 3/4 X 3/16 WOODRUFF KEY | 47 | 104257 | 3/8-16 HEX NYLOC NUT |
| 21 | 108508 | EXTERNAL SNAP RING 5/8 | 48 | 109007 | 3/8-16 WHIZLOCK NUT |
| 22 | 363087 | TRANS SHAFT SPACER | 49 | 100296 | 3/8-16 X 2 HHCS |
| 23 | 103293 | 5/16-18 X 3/8 SETSCREW | 50 | 104256 | 5/16-18 HEX NYLOC NUT |
| 24 | 363137 | 2-GROOVE SHEAVE | 51 | 100273 | 5/16-18 X 1 HHCS |
| 25 | 363312 | WHEEL DRIVE BELT, MATCHED SET OF 2 | 52 | 452186 | WLD, CLUTCH TORSION |
| 26 | 104256 | 5/16-18 HEX NYLOC NUT | 53 | B93-8 | Washer 8 - LOCKWASHER |
| 27 | 363075 | ROUND BELT GUIDE | 54 | 362041 | RT BRAKE ARM ASSY |

REAR DECK ASM, 36"/48" BELT

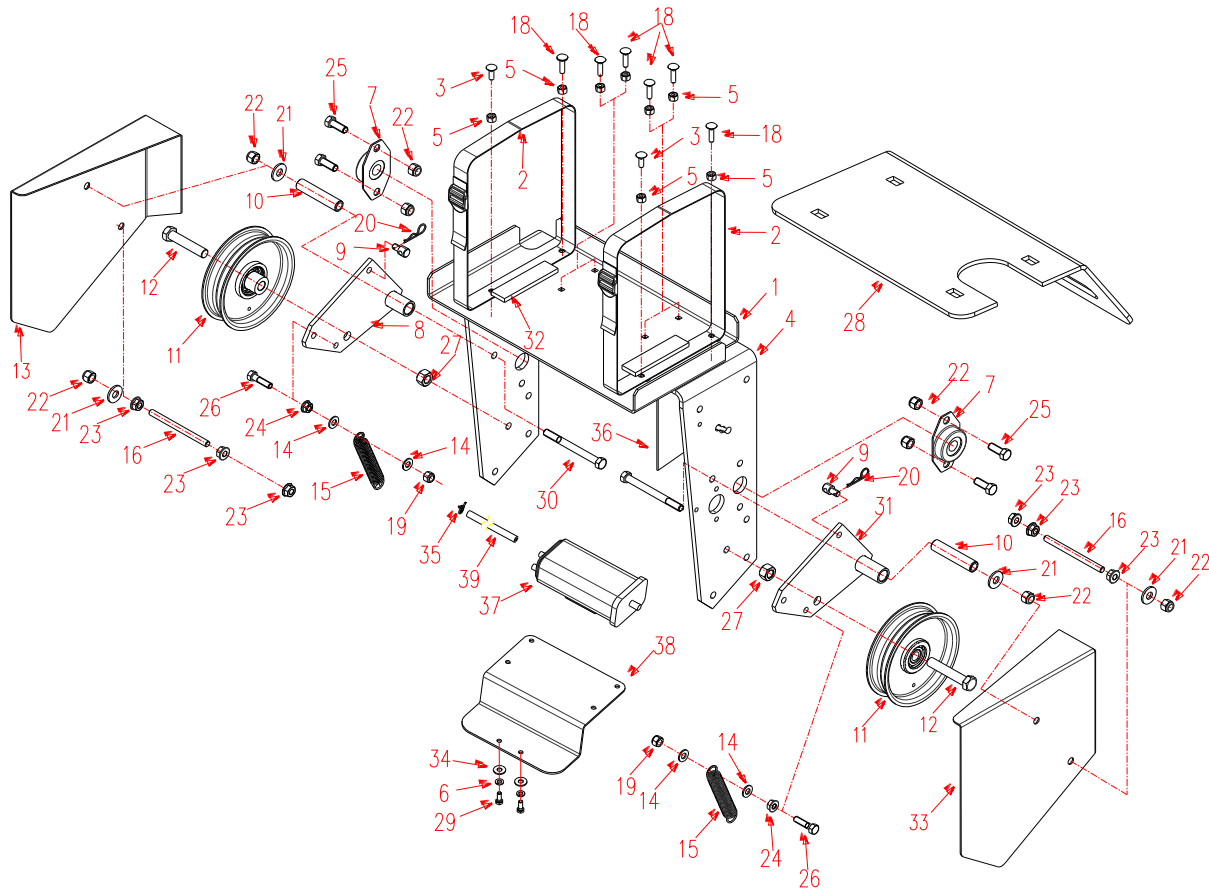




REAR DECK ASM, 36"/48" BELT

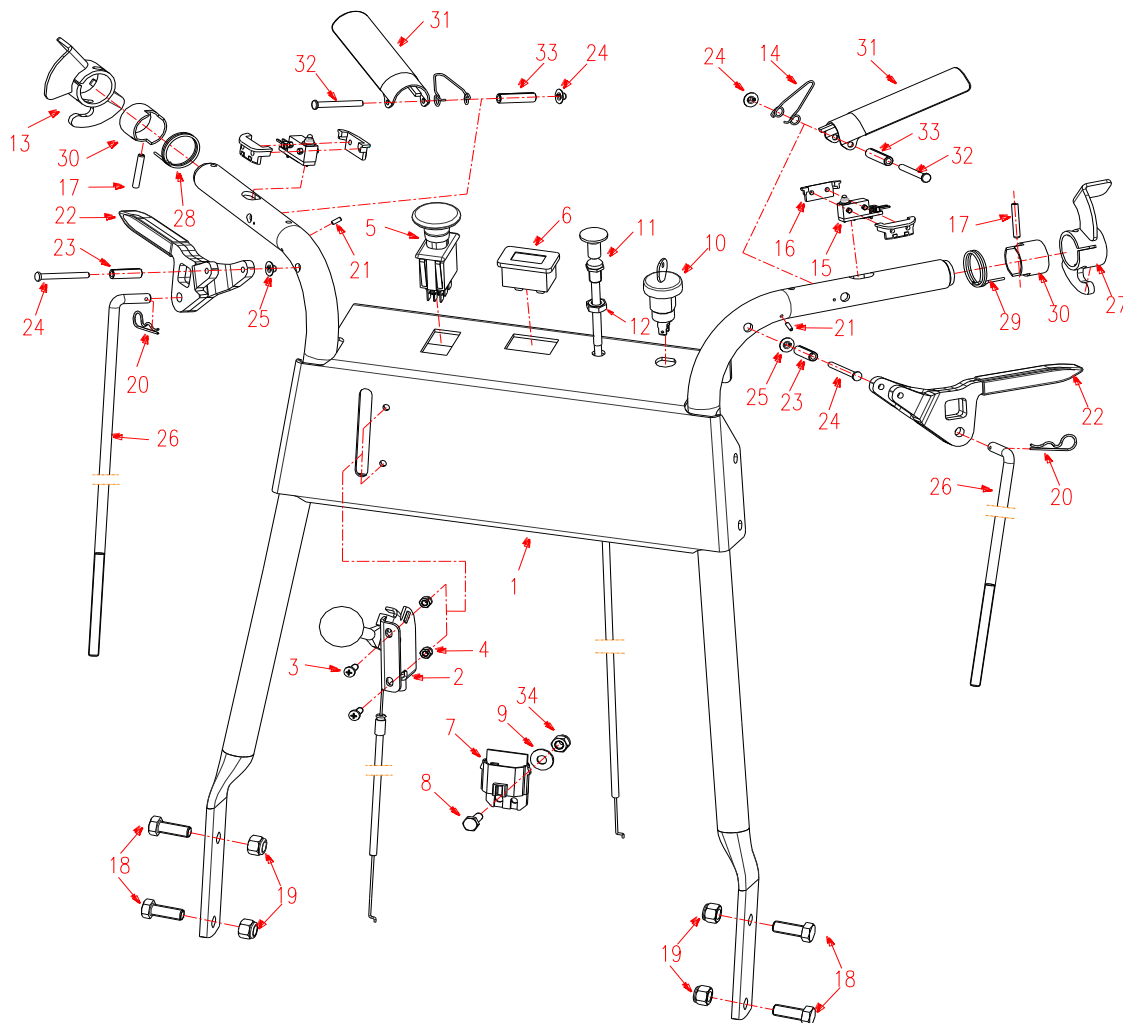
| ITEMS | PART NO. | DESCRIPTION | ITEMS | PART NO. | DESCRIPTION |
|-------|-----------|---------------------------|-------|-----------|-----------------------|
| 1 | 363169 | SMALL IDLER | 31 | 363176 | 6" BRAKE BAND |
| 2 | 482062 | DECK WMT, 36/48 BELT REAR | 32 | 363177 | 3/8 PUSH NUT |
| 3 | 107501 | 3/8-16 X 2 CARR. BOLT | 33 | 363135 | BRAKE CONNECTOR |
| 4 | 108508 | EXTERNAL SNAP RING 5/8 | 34 | 362026 | BRAKE CONNECTOR ASSY |
| 5 | 363220 | TRANSMISSION SHEAVE | 35 | 111004 | 1/4-28 ZERK |
| 6 | 363212 | TRANSMISSION BELT | 36 | 362042 | LT BRAKE ARM ASM |
| 7 | 363430 | TRANSMISSION, 5 SP WALK | 37 | 108500 | E-RING 5/8 DIA. |
| 8 | B5783-820 | SCREW, HH TAP M8x20 | 38 | 363165 | #3 HAIRPIN COTTER |
| 9 | 105005 | 5/16 LOCKWASHER-HEAVY | 39 | 323029 | 32" SQUARE BUMPER |
| 10 | 363128 | SHIFTER BRKT | 40 | 363142 | BRAKE LINKAGE |
| 11 | 104251 | 3/8-24 NYLOC NUT | 41 | 100292 | 3/8-16 X 1 HHCS |
| 12 | 105260 | 3/8 STD FLAT WASHER | 42 | 363145 | CLAMP COLLAR |
| 13 | 362060 | SHIFTER LEVER W/GRIP | 43 | B70.1-510 | CAP SCREW, 5 X 10 HEX |
| 14 | 105258 | 5/16 STD FLAT WASHER | 44 | 753027 | SPRING DISC WASHER |
| 15 | 100274 | 5/16-18 X 1-1/4 HHTB | 45 | 100293 | 3/8-16 X 1-1/4 HHCS |
| 16 | 362048 | DRIVE WHEEL ASSY-PUR | 46 | 105260 | 3/8 STD FLAT WASHER |
| 17 | 463128 | TRANSMISSION SWITCH | 47 | 104257 | 3/8-16 HEX NYLOC NUT |
| 18 | 362086 | 9 SPL. COUPLER W/ZERK | 48 | 109007 | 3/8-16 WHIZLOCK NUT |
| 19 | 363367 | SHAFT EXTENSION - 9SPL. | 49 | 100296 | 3/8-16 X 2 HHCS |
| 20 | 107009 | 3/4 X 3/16 WOODRUFF KEY | 50 | 104256 | 5/16-18 HEX NYLOC |
| 21 | 108508 | EXTERNAL SNAP RING 5/8 | 51 | 100273 | 5/16-18 X 1 HHCS |
| 22 | 363087 | TRANS SHAFT SPACER | 52 | 452186 | WLD, CLUTCH TORSION |
| 23 | 103293 | 5/16-18 X 3/8 SETSCREW | 53 | B93-8 | LOCKWASHER 8 |
| 24 | 363137 | 2-GROOVE SHEAVE | 54 | 362041 | RT BRAKE ARM ASM |
| 25 | 363312 | 2PC WHEEL DRIVE BELT SET | 55 | 362055 | TIRE |
| 26 | 104256 | 5/16-18 HEX NYLOC NUT | 56 | 363191 | PULLEY |
| 27 | 363075 | ROUND BELT GUIDE | 57 | 363190 | PULLEY FRAME |
| 28 | 100273 | 5/16-18 X 1 HHCS | 58 | 100275 | 5/16-18X1-1/2 HHCS |
| 29 | 109001 | 5/16-18 WHIZLOCK NUT | 59 | 105005 | 5/16 LOCKWASHER-HEAVY |
| 30 | 363121 | WHEEL WASHER | 60 | 363113 | WHEEL PULLEY SPACER |

HANDLE ASM, BELT LOWER



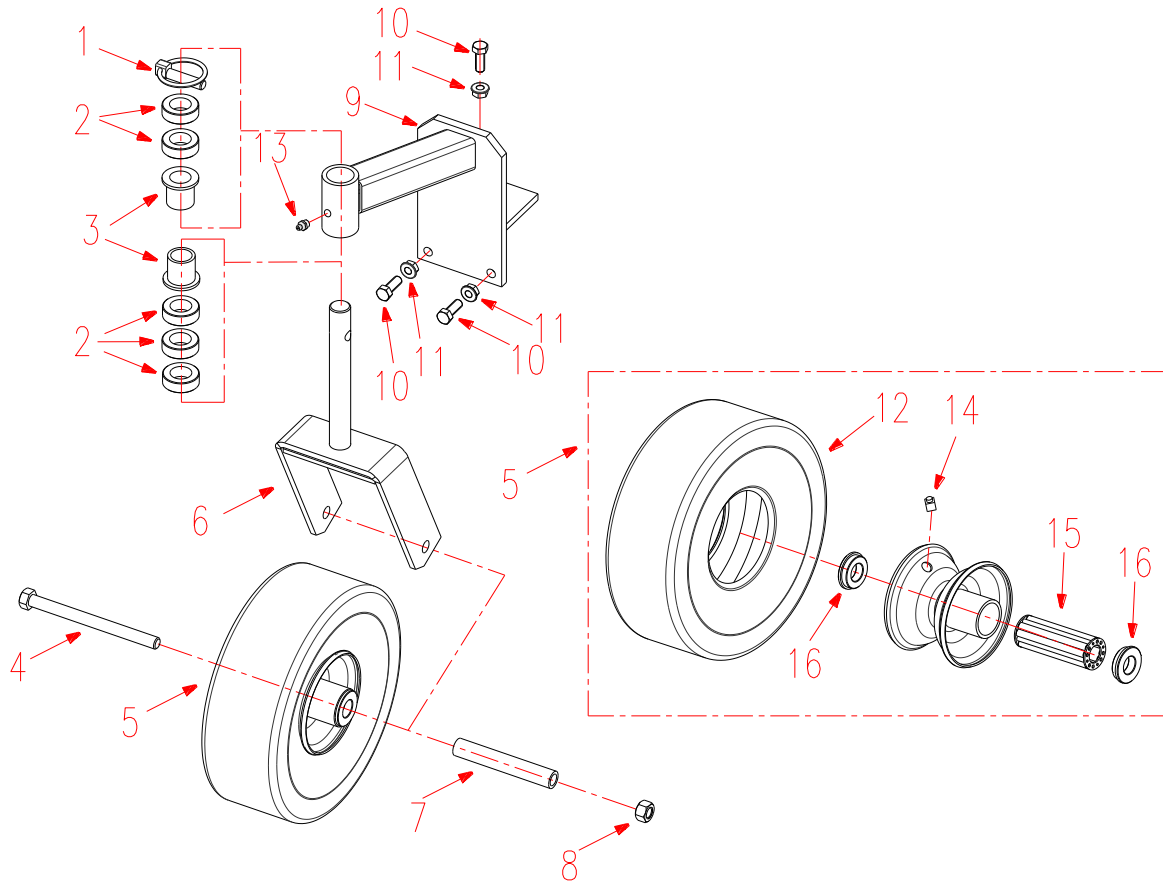
| ITEMS | PART NO. | DESCRIPTION | ITEMS | PART NO. | DESCRIPTION |
|-------|----------|----------------------------|-------|-----------|---------------------------|
| 1 | 363420 | FUEL TANK MNT - PAINTED | 21 | 105260 | 3/8 STD FLAT WASHER |
| 2 | 363368 | GAS TANK BELT | 22 | 104257 | 3/8-16 HEX NYLOC NUT |
| 3 | 107502 | 1/4-20 X 3/4 CARRIAGE BOLT | 23 | 109007 | 3/8-16 WHIZLOCK NUT |
| 4 | 363148 | LOWER HANDLE | 24 | 109001 | 5/16-18 WHIZLOCK NUT |
| 5 | 104255 | 1/4-20 HEX NYLOC NUT | 25 | 100292 | 3/8-16 X 1 HHCS |
| 6 | 105004 | 1/4 LOCKWASHER | 26 | 100274 | 5/16-18 X 1-1/4 HHTB |
| 7 | 363292 | FLANGED BEARING | 27 | 104259 | 1/2-13 HEX NYLOC NUT |
| 8 | 362037 | RIGHT IDLER ARM | 28 | 363224 | TANK SADDLE |
| 9 | 363029 | .312 ROD SWIVEL | 29 | B5783-616 | SCREW, HH TAP M6X16 |
| 10 | 363105 | IDLER BUSHING | 30 | 100303 | 3/8-16 X 4 HHCS |
| 11 | 363168 | DRIVE IDLER | 31 | 362035 | LEFT IDLER ARM |
| 12 | 100331 | 1/2-13 X 2-1/2 HHCS | 32 | 363201 | FUEL TANK PAD |
| 13 | 363286 | FENDER RH | 33 | 363288 | FENDER LH |
| 14 | 105257 | 5/16 SAE FLAT WASHER | 34 | 105256 | WASHER, FLAT |
| 15 | 363117 | BELT TENSION SPRING | 35 | 363098 | CLAMP, FUEL LINE |
| 16 | 363093 | SAFETY SHIELD SUPPORT | 36 | 363416 | LABEL, EPA-WB |
| 17 | 362036 | LEFT IDLER ARM | 37 | 363423 | SM CARBON CANISTER |
| 18 | 107510 | 1/4-20 X 1 CARRIAGE BOLT | 38 | 363426 | CARBON CANISTER MT |
| 19 | 104256 | 5/16-18 HEX NYLOC NUT | 39 | 603032 | FUEL LINE, 16 & 18 BRIGGS |
| 20 | 363165 | #3 ISSCO HAIRPIN COTTER | | | |

HANDLE ASM, UPPER B-D



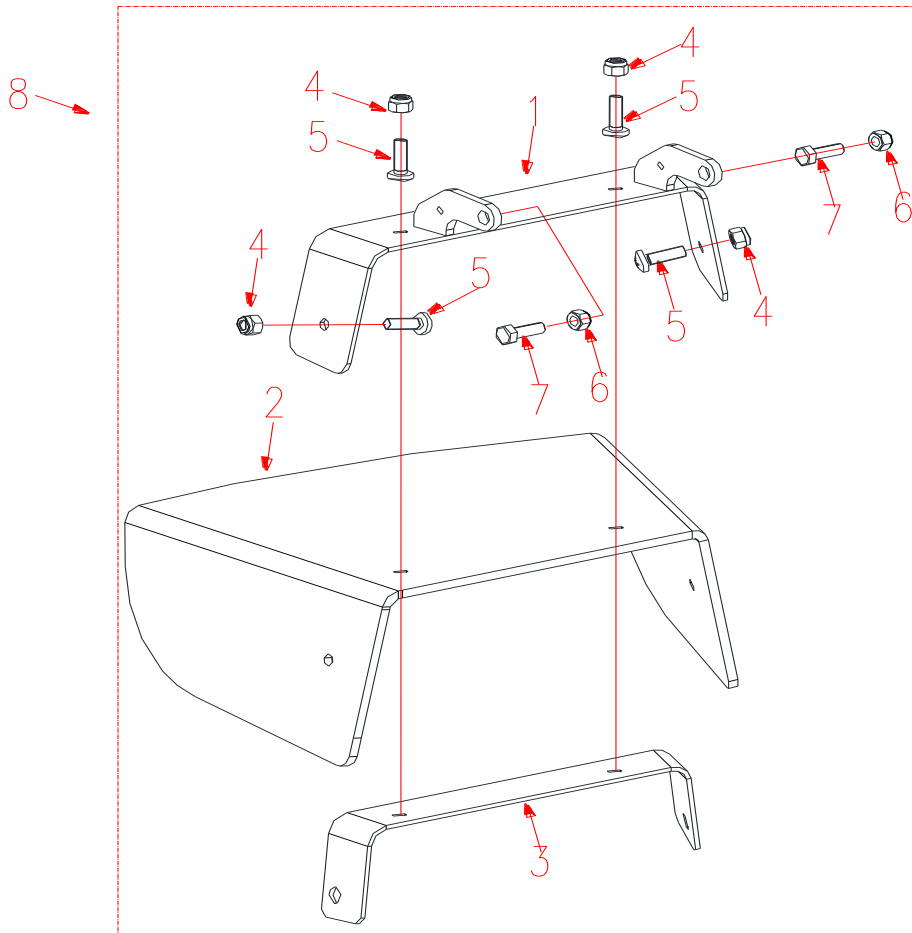
| ITEMS | PART NO. | DESCRIPTION | ITEMS | PART NO. | DESCRIPTION |
|-------|----------|------------------------|-------|----------|-------------------------|
| 1 | 452169-1 | HANDLE, CONSOLE - BLK | 19 | 104257 | 3/8-16 HEX NYLOC NUT |
| 2 | 453531 | CABLE, THROTTLE | 20 | 363165 | #3 ISSCO HAIRPIN COTTER |
| 3 | B823-514 | SCREW, PAN HD M5 X 14 | 21 | B879-38 | PIN, 3 X 8 ROLL |
| 4 | B6182-5 | NUT, NYLOC M5 | 22 | 454117 | LEVER, TRACTION SPEED |
| 5 | 523031 | PTO SWITCH | 23 | 106340 | 5/16 X 1 ROLL PIN PLTD |
| 6 | 453417 | METER, MS HOUR | 24 | 363073 | TRACTION LEVER PIN |
| 7 | 363372 | SAFETY MODULE - WB | 25 | 363219 | 3/16 PALNUT |
| 8 | 100252 | 1/4-20 X 3/4 HHCS | 26 | 363453 | ROD, DRIVE CONTROL |
| 9 | 105256 | 1/4 STD FLAT WASHER | 27 | 322022 | LOCK WMT, LH BELT |
| 10 | 603060 | RUN/STOP SWITCH | 28 | 3206011 | TORSION SPRING, RIGHT |
| 11 | 523037 | CHOKE CABLE | 29 | 3206010 | TORSION SPRING, LEFT |
| 12 | 104754 | 3/8-24 HEX JAM NUT | 30 | 3206033 | BUSHING |
| 13 | 322023 | LOCK, RH BELT - BLK | 31 | 453581 | LEVER, OPC PALM |
| 14 | 453585 | SPRING, OPC PALM LEVER | 32 | 453520 | PIN, OPC LEVER PIVOT |
| 15 | 453588 | MODULE, OPC SWITCH | 33 | 106342 | 5/16 X 1-1/4 ROLL PIN |
| 16 | 453579 | HOUSING, OPC SWITCH | 34 | 104255 | 1/4-20 HEX NYLOC NUT |
| 17 | B879-318 | PIN 3X18 | | | |
| 18 | 100292 | 3/8-16 X 1 HHCS | | | |

YOKE CASTER COMPLETE



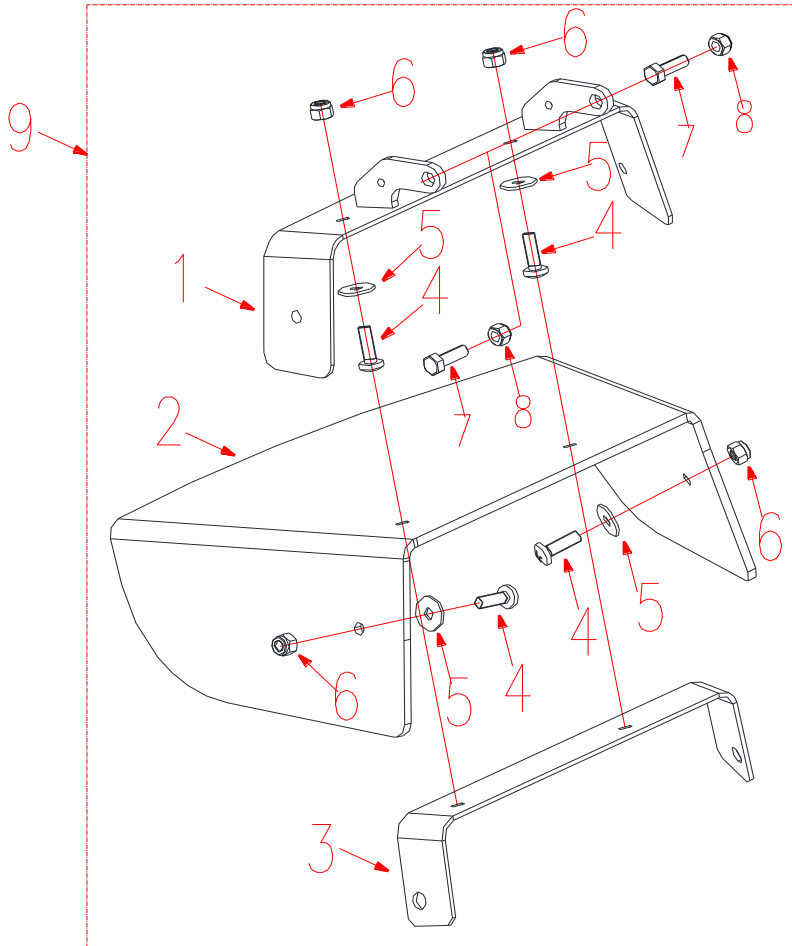
| ITEMS | PART NO. | DESCRIPTION |
|-------|----------|---------------------------|
| 1 | 109020 | 7/16 X 1-3/4 QUICK PIN HD |
| 2 | 363006 | 10" CASTER SPACER |
| 3 | 363007 | FLANGE BEARING |
| 4 | 100339 | 1/2-13 X 6 HHCS |
| 5 | 363311 | 10" CASTER WHEEL |
| 6 | 362081 | YOKE-STRUT WLDMT |
| 7 | 363307 | AXLE TUBE |
| 8 | 104259 | 1/2-13 HEX NYLOC NUT |
| 9 | 362007 | CASTER SUPPORT W/ BUSHING |
| 10 | 100292 | 3/8-16 X 1 HHCS |
| 11 | 109007 | 3/8-16 WHIZLOCK NUT |
| 12 | 363360 | TIRE Tube |
| 13 | 111001 | GREASE ZEAK |
| 14 | 111005 | GREASE ZEAK |
| 15 | 423200 | WHEEL HUB BEARING |
| 16 | 423201 | BEARING RETAINER |

ASM, 32" 36" RUBBER DEFLECTOR



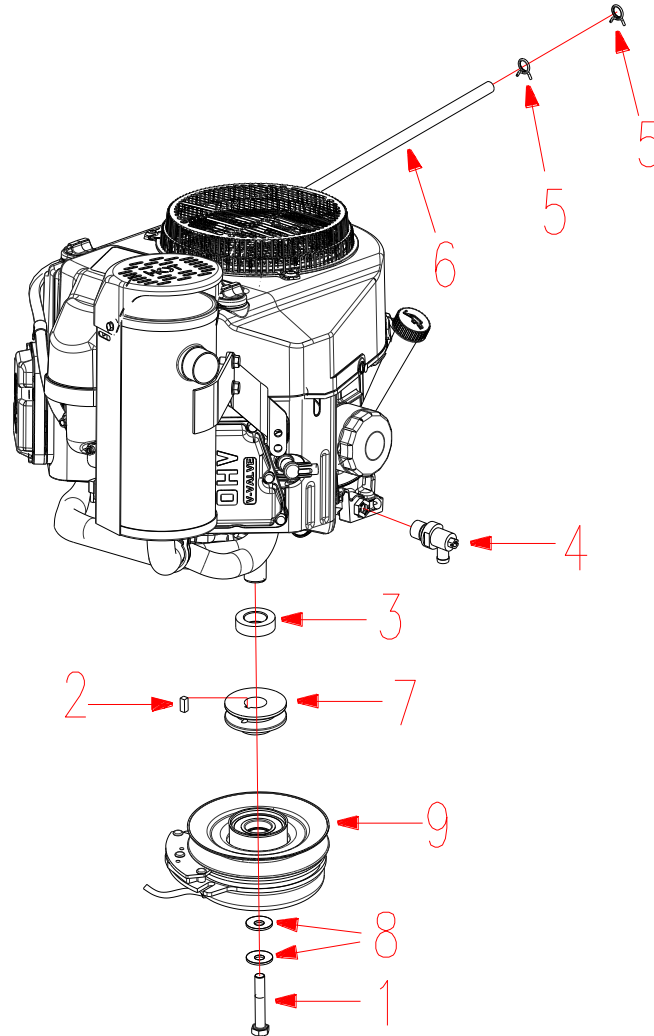
| ITEMS | PART NO. | DESCRIPTION |
|-------|----------|-----------------------------------|
| 1 | 482058-2 | WLD, DEFLECTOR BRACKET |
| 2 | 483118 | RUBBER SHEET |
| 3 | 483130-2 | 36 INSIDE DEFLECTOR BRACKET - RED |
| 4 | B6182-8 | NUT, NYLOC M8 |
| 5 | B818-825 | SCREW, M8X25 PHILLIPS PAN |
| 6 | 104256 | 5/16-18 HEX NYLOC NUT |
| 7 | 100273 | 5/16-18 X 1 HHCS |
| 8 | 482059 | ASM, RUBBER DEFLECTOR |

ASM, 48" RUBBER DEFLECTOR



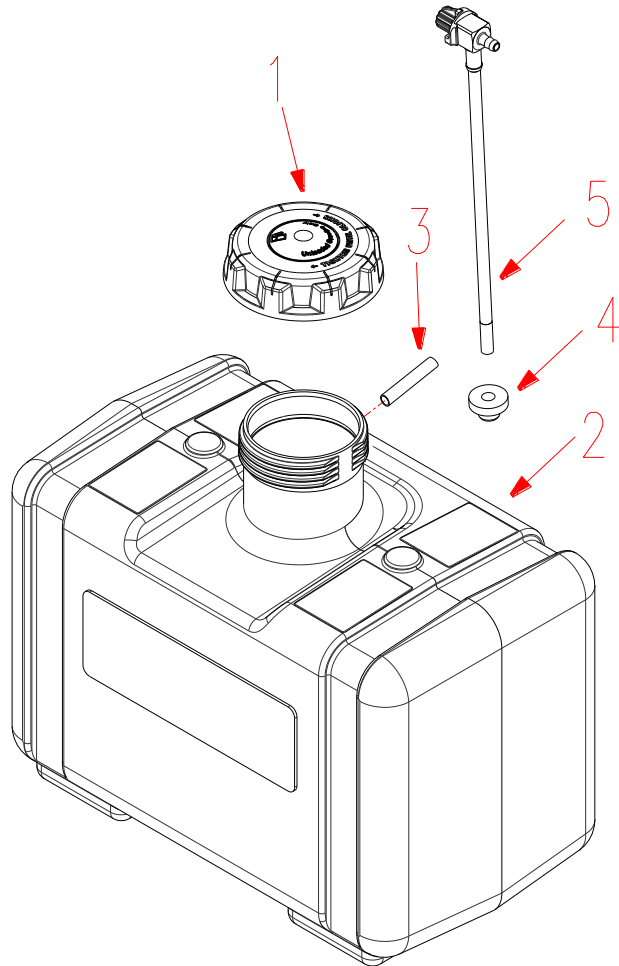
| ITEMS | PART NO. | DESCRIPTION |
|-------|----------|------------------------------------|
| 1 | 482071-2 | 48" DEFLECTOR BRACKET - RED |
| 2 | 483132 | 48" RUBBER SHEET |
| 3 | 483133-2 | 48" INSLDE DEFLECTOR BRACKET - RED |
| 4 | B818-825 | SCREW, M8X25 PHILLIPS PAN |
| 5 | B96-8 | WASHER 8 |
| 6 | B6182-8 | NUT, NYLOC M8 |
| 7 | 100273 | 5/16-18 X 1 HHCS |
| 8 | 104256 | 5/16-18 HEX NYLOC NUT |
| 9 | 482072 | ASM,48 RUBBER DEFLECTOR |

POWER ASM, FS481V BELT

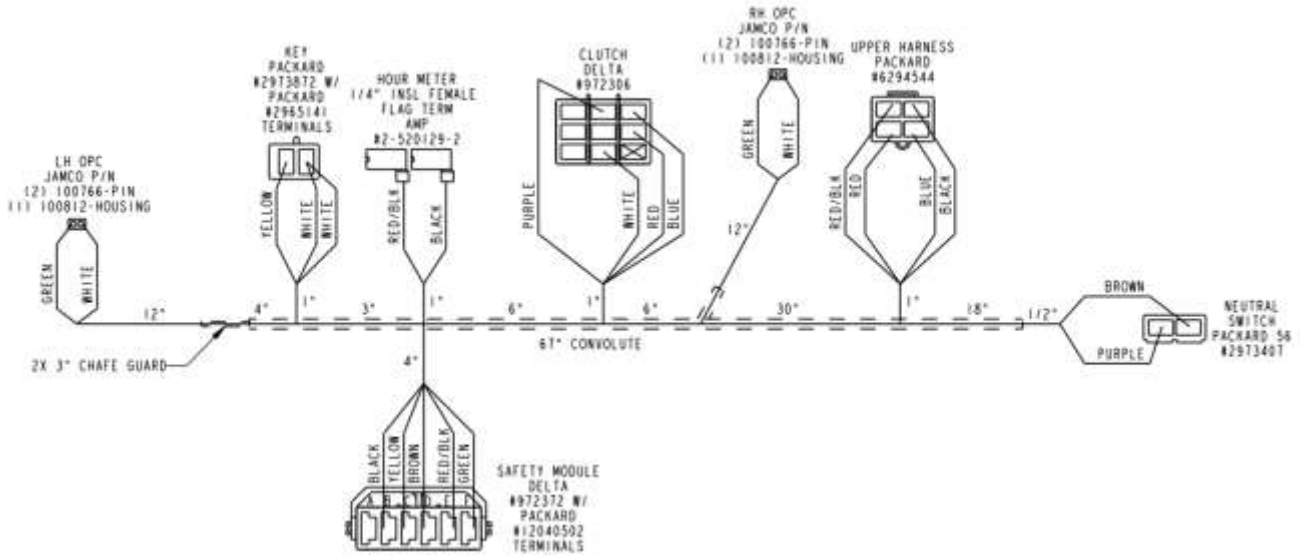


| ITEMS | PART NO. | DESCRIPTION |
|-------|----------|--------------------------|
| 1 | 100535 | 7/16-20 X 2-1/2 HHCS |
| 2 | 107257 | 1/4 X 1/4 X 5/8 MACH KEY |
| 3 | 583110 | PULLEY SPACER |
| 4 | 343146 | 90 DEGREE DRAIN |
| 5 | 363098 | CLAMP, FUEL LINE 1/4 ID |
| 6 | 363099 | LONG FUEL LINE |
| 7 | 363119 | TRANSMISSION PULLEY |
| 8 | 423069 | SPRING DISC. - 7/16 |
| 9 | 453478 | CLUTCH, ELECTRIC BRAKE |

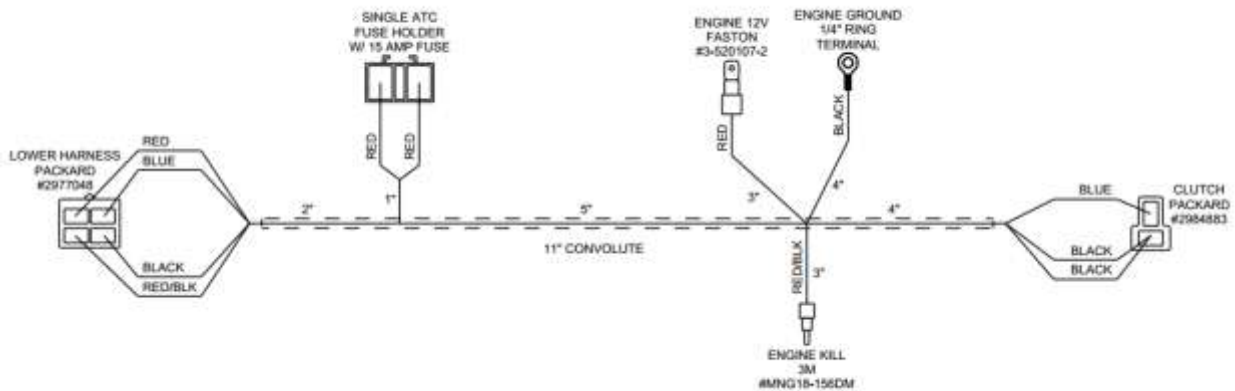
FIVE GALLON FUEL TANK ASM



| ITEM | PART NO. | DESCRIPTION |
|------|----------|-----------------|
| 1 | 5204019 | Fuel Tank Cap |
| 2 | 363410 | Fuel Tank, ASM. |
| 3 | 4805004 | VENT VALVE |
| 4 | 533125 | GROMMET |
| 5 | 363418 | FUEL VALVE |



1

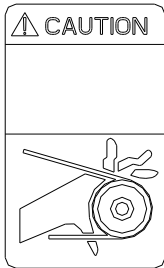

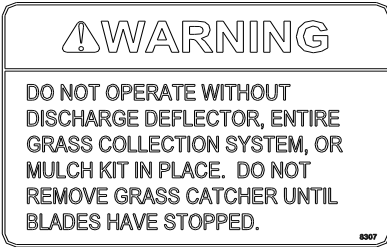

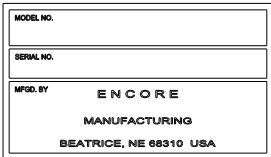
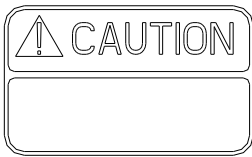

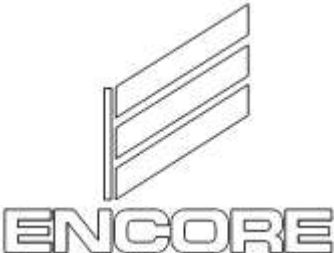
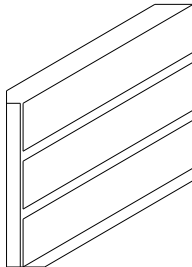

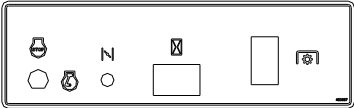
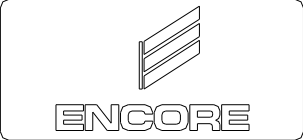





2

| ITEMS | PART NO. | DESCRIPTION |
|-------|----------|----------------------|
| 1 | 323049 | HARNESS, B-DRIVE |
| 2 | 323051 | HARNESS, ENGINE WIRE |

DECAL



| | | | |
|---|---|---|---|
|  <p>1</p> |  <p>2</p> |  <p>3</p> | |
|  <p>4</p> |  <p>5</p> |  <p>6</p> | |
|  <p>7</p> |  <p>10</p> |  <p>11</p> | |
| <p>R N 1 2 3 4 5</p> <p>8</p> | | | |
| <p>OPERATOR MUST DISENGAGE CLUTCH BEFORE SHIFTING GEARS</p> <p>9</p> | | | |
|  <p>12</p> |  <p>13</p> |  <p>14</p> | <p>IMPORTANT EMISSION CONTROL INFORMATION WORLDRAWN POWER EQUIPMENT - THIS EQUIPMENT MEETS - U.S. EVAPORATIVE EMISSIONS STANDARDS (DOES NOT MEET CARB EVAP STANDARDS)</p> <p>363416</p> <p>15</p> |
|  <p>16</p> |  <p>17</p> |  <p>18</p> | |

| ITEMS | PART NO. | DESCRIPTION | ITEMS | PART NO. | DESCRIPTION |
|-------|----------|------------------------------|-------|----------|------------------------|
| 1 | 8008 | DECAL, CAUTION, GUARDING LG | 10 | 453570 | DECAL, 10" ENCORE LOGO |
| 2 | 363038 | CAUTION INST. LABEL | 11 | 363362 | ENCORE LOGO |
| 3 | 8307 | DECAL, DISCHARGE WARNING | 12 | 453564 | DECAL, THROTTLE |
| 4 | 363023 | DANGER DECAL, HANDS AND FEET | 13 | 453567 | DECAL, CONTROL CONSOLE |
| 5 | 363026 | SERIAL NO. PLATE | 14 | 453563 | DECAL, EN HANDLE |
| 6 | 8303 | DECAL, CAUTION, GUARDING SM | 15 | 363416 | EPA LABEL - WB |
| 7 | 363243 | SMALL ENCORE LABEL | 16 | 323038 | PRO-32 DECAL |
| 8 | 363241 | GEARSHIFT LABEL (RN12345) | 17 | 363356 | PRO-36 DECAL |
| 9 | 363233 | SHIFTING LABEL | 18 | 483075 | PRO-48 DECAL |



ALL RIGHTS RESERVED
CONTENTS SUBJECT TO CHANGE

EW32FS481V EW36FS481V EW48FS481V PARTS MANUAL
BELT DRIVE WALK BEHIND 20160301