

# **TRACER**

**PARTS MANUAL**

**ET60CT656SD  
ET60CT656SDCA**





**A DIVISION OF  
WORL DLAWN POWER EQUIPMENT, INC.**

**WWW.ENCOREEQUIPMENT.COM**

**401 COMMERCE STREET**

**BEATRICE, NE 68310**

**800-267-4255**

**FAX – 402-223-4103**



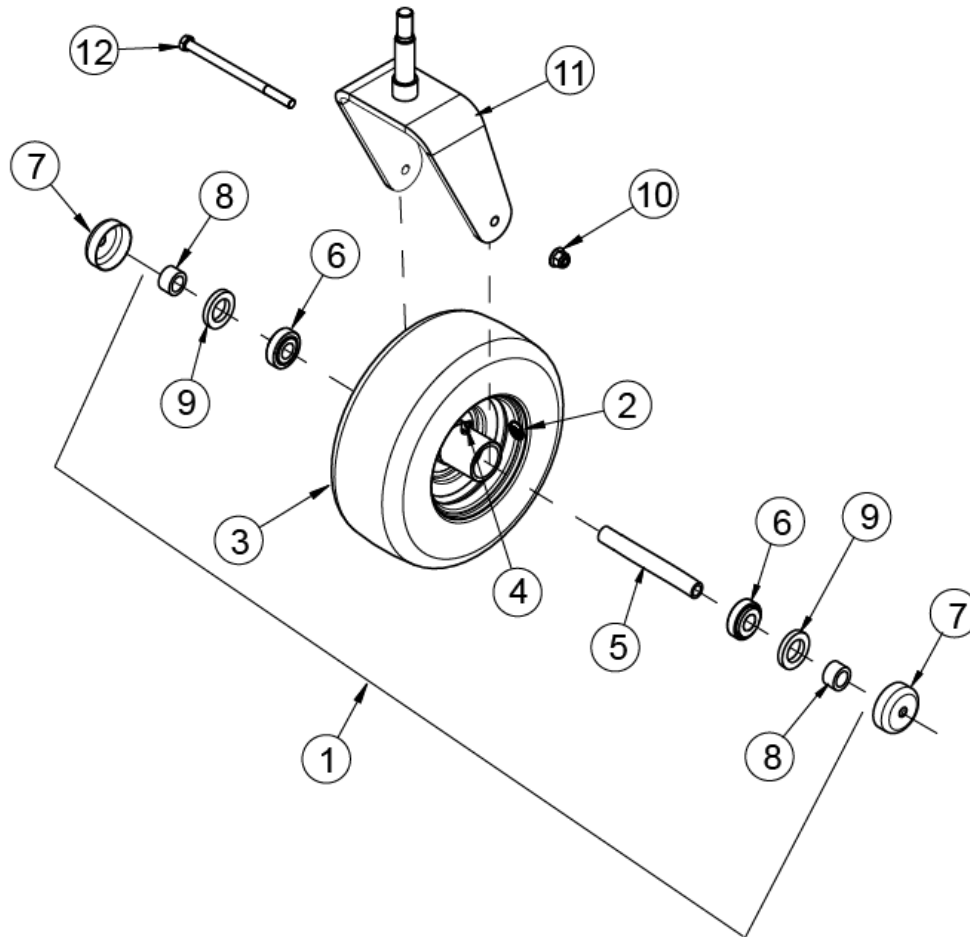
---

## Contents

WHEEL ASSEMBLY .....	7
FRAME ASSEMBLY .....	8
TONGUE ASSEMBLY.....	10
DECK LIFT ASSEMBLY .....	12
60" DECK ASSEMBLY .....	14
DECK IDLER ASSEMBLY .....	18
CONSOLE ASSEMBLY .....	20
ENGINE ASSEMBLY .....	21
BATTERY GROUP .....	23
FUEL ASSEMBLY.....	25
WIRING HARNESS.....	26
DECAL GROUP .....	29

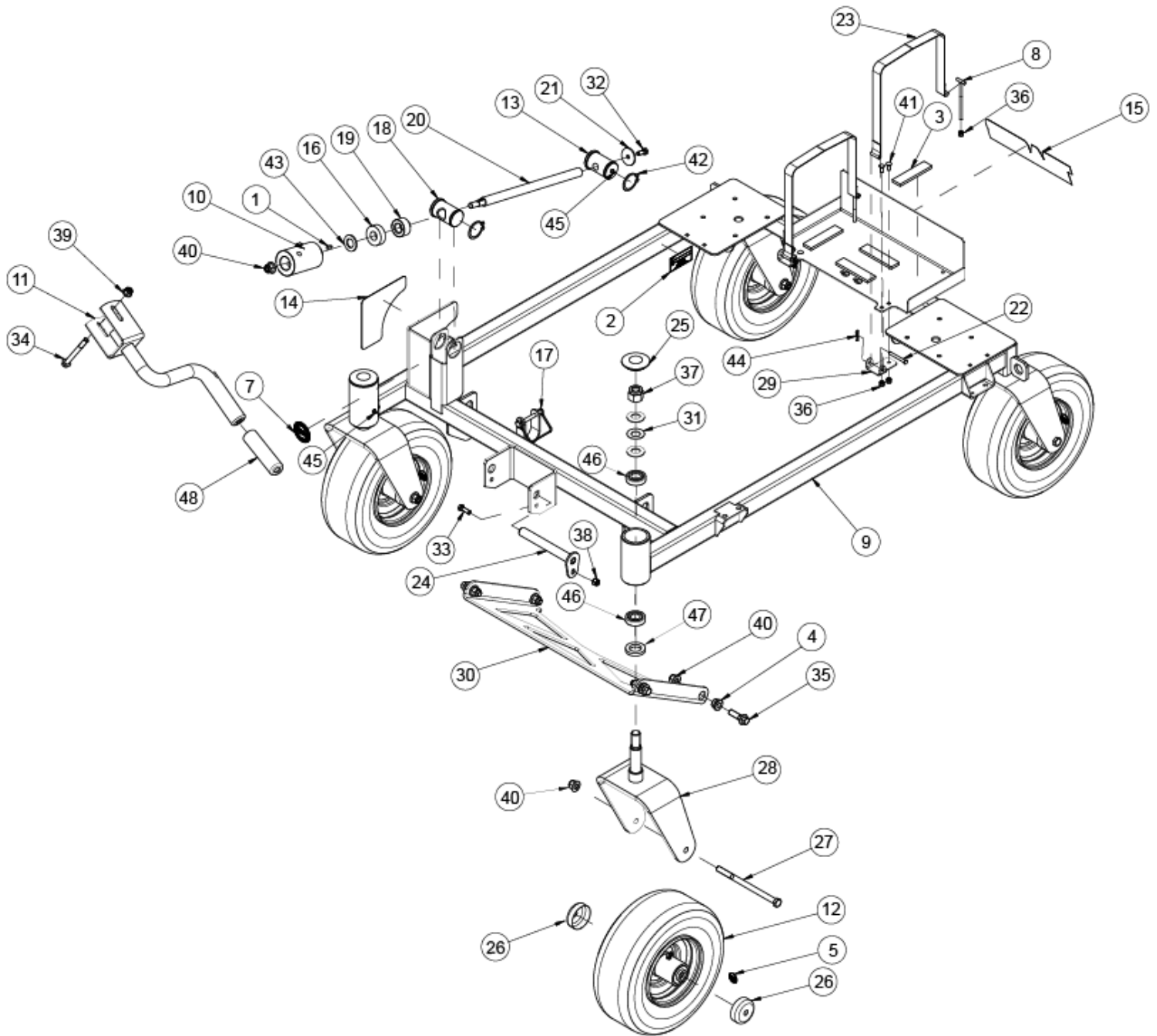


## WHEEL ASSEMBLY



ITEM	PART NO.	DESCRIPTION
1	652067	ASM, BLK WHEEL COMPLETE 13 X 5.0-6 TURF
2	453389	DECAL, FRONT TIRE PRESSURE
3	652066	TIRE AND RIM, BLK, 13 X 5.0-6 PNEUMATIC
	323025	TIRE, 13 X 5.0-6 PNEUMATIC
4	111009	ZERK, 45° 1/4-28
5	5202038	TUBE, AXLE
6	5202037	BEARING, TAPERED ROLLER
7	5202026	CAP, DUST
8	5202035	BUSHING
9	5202036	SEAL, LIP
10	B6183-12	NUT, NYLOC FLANGE M12
11	5202150	CASTER WHEEL YOKE
12	5202029	SCREW, HH CAP M12 X 185

# FRAME ASSEMBLY

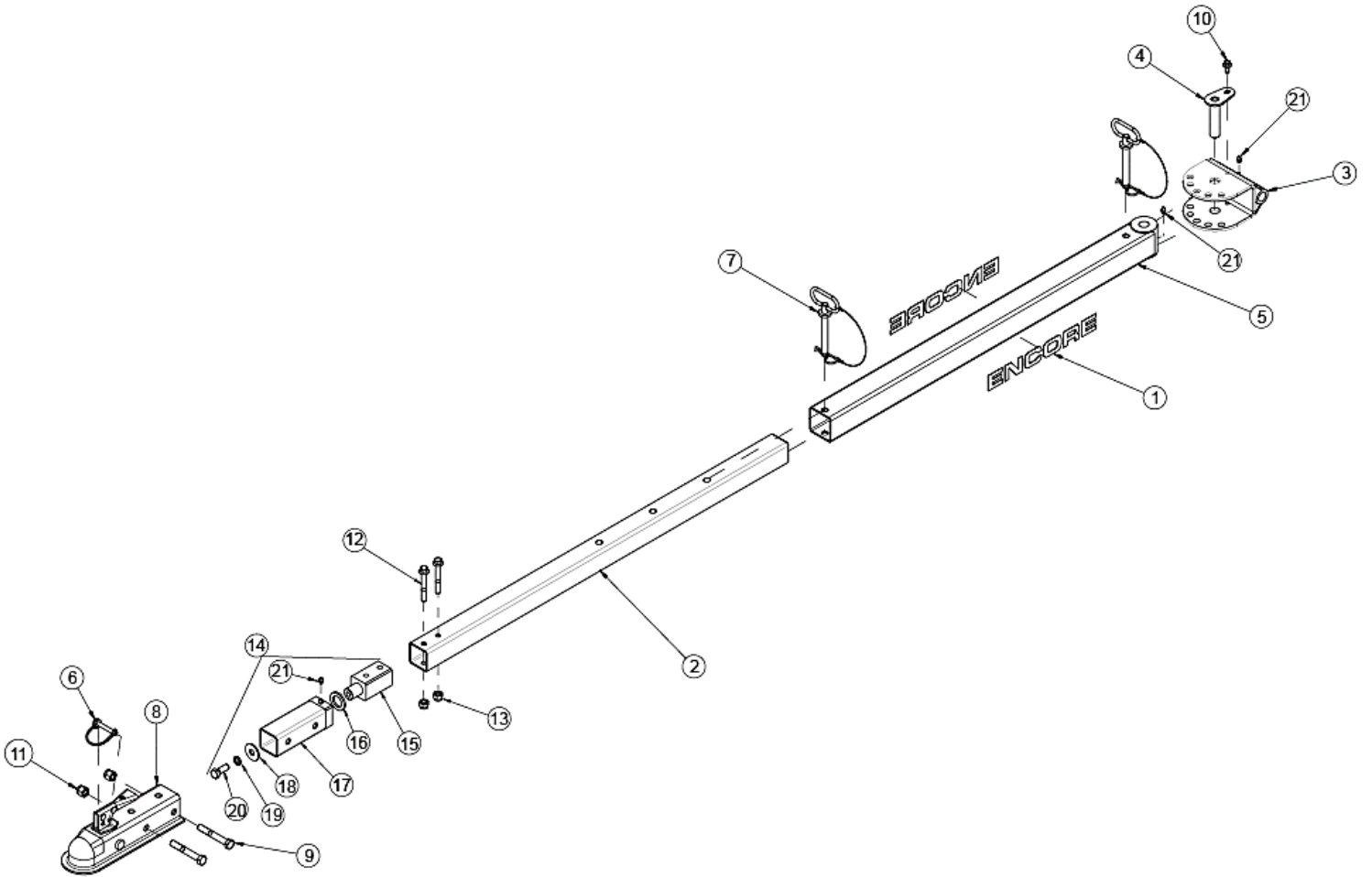




## FRAME ASSEMBLY

ITEM	PART NO.	DESCRIPTION
1	107253	3/16 X 3/16 X 1/2 KEY
2	FOR REFERENCE ONLY	SERIAL PLATE
3	363201	FUEL TANK PAD
4	453288	BUSHING
5	453389	DECAL, FRONT TIRE PRESSURE
6	533159	EPA LABEL
7	543380	DECAL, BEATRICE
8	652014	WLD, 4" T-BOLT
9	652045	ASM, PB FRAME
10	652049	ASM, CRANK PIVOT BUSHING
11	652050	ASM, CRANK W/GRIP
12	652067	ASM, WHEEL COMPLETE 13 X 5.0-6 TURF
13	652069	ASM, THREADED DECK LIFT TRUNNION
14	653008	DECAL, DECK HEIGHT
15	653065	DECAL, TRACER
16	653075	BEARING, 7/8" ID THRUST
17	653076	PIN, 5/16" X 2-1/4" SQUARE LOCKING
18	653100	TRUNNION, FRAME
19	653101	SPACER, 20.5MM ID X 20MM
20	653102	SHAFT, THREADED DECK LIFT
21	653106	SPACER, 8.5MM ID X 40MM OD X 3MM
22	4805003	AXIS PIN
23	4805010	FUEL TANK MOUNTING STRAP ASM
24	5201055	AXLE PIN WELDMENT
25	5202009	CAP, CASTER TUBE
26	5202026	DUST CAP
27	5202029	SCREW, HH CAP M12 X 185
28	5202150	CASTER WHEEL YOKE
29	453388-2	BRACKET, TANK BAND - RED
30	633010-2	FRONT STRUT PLATE - RED
31	B1972-A40	WASHER, SPRING DISC A40
32	B5783-820	SCREW, HH TAP M8 X 20
33	B5783-825	HEX HD BOLT M8 X 25
34	B5787-1090	SCREW, HH FLANGE M10 X 90
35	B5787-1240	SCREW, HH FLANGED M12 X 40
36	B6182-6	NUT, NYLOC M6
37	B6182-20	NUT, NYLOC M20
38	B6183-8	NUT, FLANGED NYLOC M8
39	B6183-10	NUT, NYLOC FLANGE M10
40	B6183-12	NUT, NYLOC FLANGE M12
41	B801-616	BOLT, CARRIAGE SN M6 X 16
42	B894.1-40	RING, SNAP EXTERNAL M40
43	B97.1-20	WASHER 20
44	XSZ56-1-17	HAIR PIN
45	B1152-6	GREASE FITTING M6
46	B297-30205	BEARING 30205
47	B13871-B32528	SEAL (F) 32X52X8
48	5202032	HANDLE GRIP

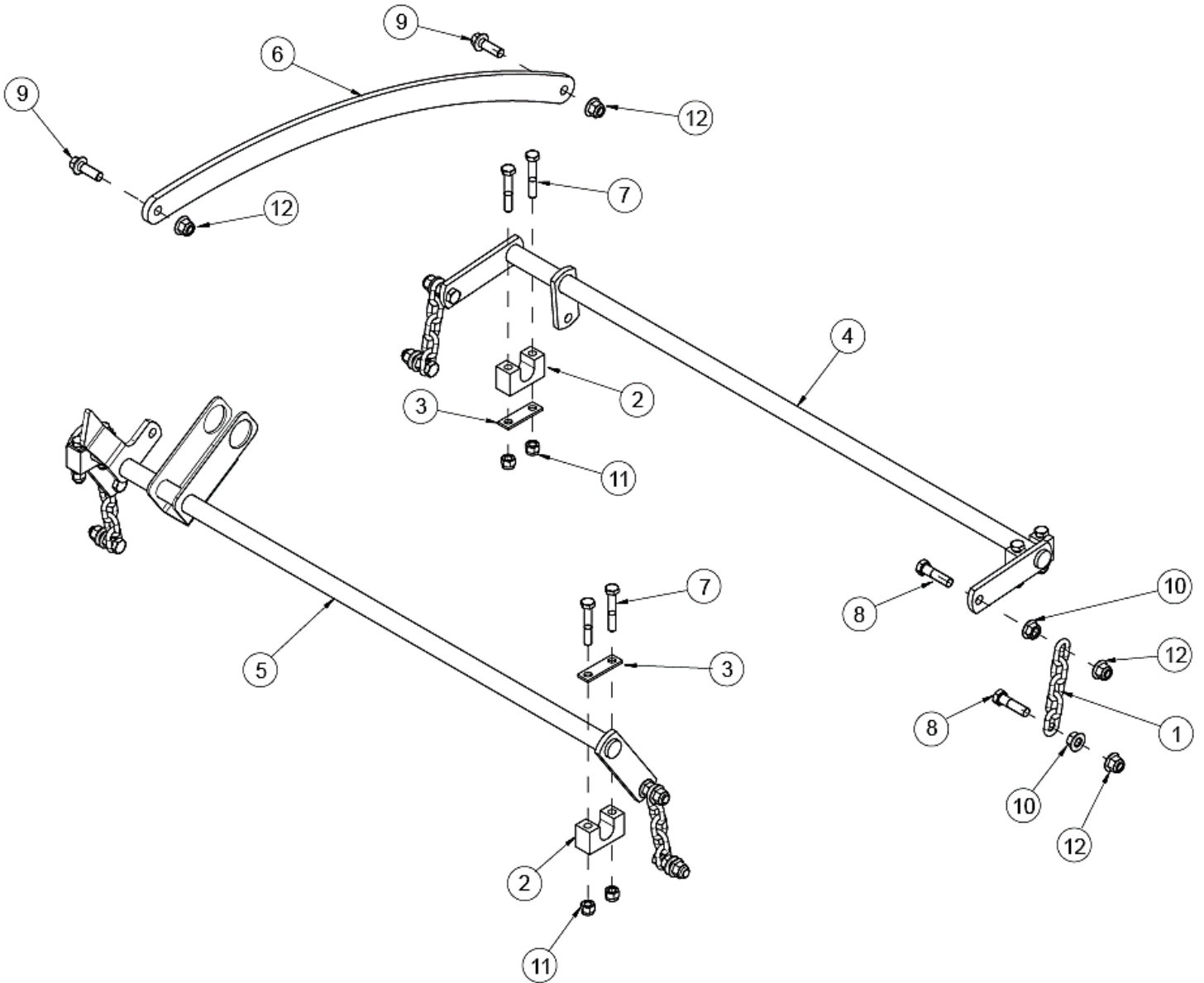
# TONGUE ASSEMBLY



## TONGUE ASSEMBLY

ITEM	PART NO.	DESCRIPTION
1	543470	DECAL, ENCORE 12"
2	652013	ASM, TONGUE
3	652021	ASM, HITCH SWIVEL
4	652024	WLD, HITCH SWIVEL PIN
5	652025	ASM, SWIVEL HITCH TUBE
6	653057	PIN, 5/16" X 2" ROUND LOCKING
7	653058	PIN, 1/2" X 3-5/8" HITCH W/LANYARD
8	5101490	COUPLER, 2" BALL X 2" TONGUE
9	B5782-1280	SCREW, HH M12 X 80
10	B5787-816	SCREW, HH FLANGE M8X16
11	B6182-12	NUT, NYLOC M12
12	B5787-1070	HEX FLANGE HD BOLT M10X70
13	B6182-10	NUT, NYLOC M10
14	652037	ASM, COMPLETE COUPLER SWIVEL
15	653029	SWIVEL, STUD
16	653068	SPACER, SWIVEL TONGUE
17	652031	ASM, COUPLER SWIVEL
18	B96-12	WASHER, FLAT LARGE M12
19	B93-12	WASHER 12
20	B5783-1230	BOLT M12X30
21	B1152-6	GREASE FITTING M6

# DECK LIFT ASSEMBLY

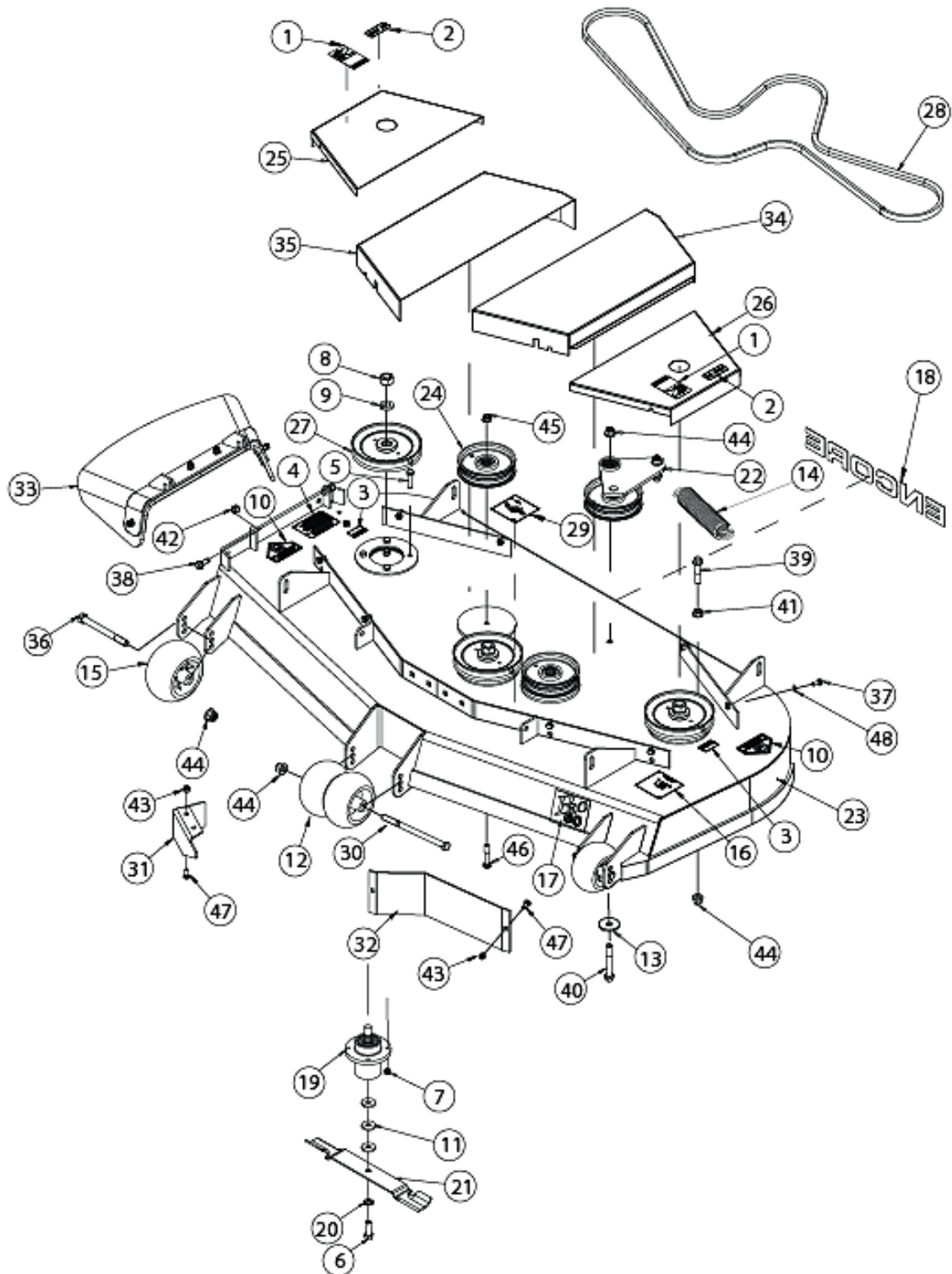


---

## DECK LIFT ASSEMBLY

ITEM	PART NO	DESCRIPTION
1	423359	FRONT CHAIN (5 LINKS)
2	633119	BLOCK, 25MM PIVOT
3	633220-1	PLATE, 25MM PIVOT BLOCK
4	652038-1	WLD, REAR DECK LIFT SHAFT
5	652043-1	WLD, FRONT DECK LIFT SHAFT
6	653089-1	LINK, DECK LIFT
7	B5782-1060	BOLT, 10 X 60
8	B5782-1245	SCREW, HH M12 X 45
9	B5787-1235	SCREW, HH FLANGE M12X35
10	B6177-12	NUT, FLANGED M12
11	B6182-10	NUT, NYLOC M10
12	B6183-12	NUT, NYLOC FLANGE M12

## 60" DECK ASSEMBLY



## 60" DECK ASSEMBLY

ITEM	PART NO.	DESCRIPTION
1	8008	DECAL, CAUTION, GUARDING LG
2	8304	DECAL, NO STEP
3	8303	DECAL, CAUTION, GUARDING SM
4	8307	DECAL, DISCHARGE WARNING
5	100294	3/8-16 X 1-1/2 HHCS
6	100347	5/8-11 X 2 HHCS
7	104257	3/8-16 HEX NYLOC NUT
8	104511	3/4-16 UNF REG HEX NUT
9	105010	3/4 LOCKWASHER
10	363023	DANGER DECAL, HANDS AND FEET
11	363382	BLADE SPACER
12	423023	ROLLER, ANTI SCALP
13	453219	WASHER, LARGE
14	523109	LIFT TENSION SPRING
15	543225	ROLLER, ANTI SCALP
16	543392	DECAL, ANTI-SCALP ROLLER
17	543402	DECAL, PRO 60
18	543471	DECAL, ENCORE 21"
19	583106	BLADE SPINDLE ASSY – DETAIL PG 17
20	583108	5/8 SPRING DISC WASHER
21	633335	BLADE, 20.5" HI LIFT
22	652008	ASM, DECK IDLER COMPLETE – DETAIL PG 18
23	652004	ASM, 60 PB DECK W/DECALS
24	652035	ASM, 127MM X 32MM PULLEY W/SPACER – DETAIL PG 19
25	652039	ASM, PB 60 RH BELT SHIELD W/DECALS
26	652040	ASM, PB 60 LH BELT SHIELD W/DECALS
27	652061	PULLEY, 60 PB DECK
28	653044	BELT, PB 60 DECK SD
29	653069	DECAL, BELT ROUTING SD
30	5202029	SCREW, HH CAP M12 X 185
31	543214-2	BAFFLE, DOGLEG 60, RED
32	543217-2	BAFFLE, BIRDWING 60, RED
33	6001050A	ASM, DISCHARGE CHUTE 52/60
34	652026-1	WLD, 60 PB LH INNER SHIELD
35	652027-1	WLD, 60 PB INNER SHIELD
36	B5782-12120	SCREW, HH M12 X 120
37	B5783-816	SCREW, HH TAP M8x16
38	B5787-1025	SCREW, HH FLANGE M10x25
39	B5787-1260	SCREW, HH FLANGE M12 X 60
40	B5787-1290	SCREW, HH FLANGED M12 X 90
41	B6177-12	NUT, FLANGED M12
42	B6182-10	NUT, NYLOC M10
43	B6182-8	NUT, NYLOC M8

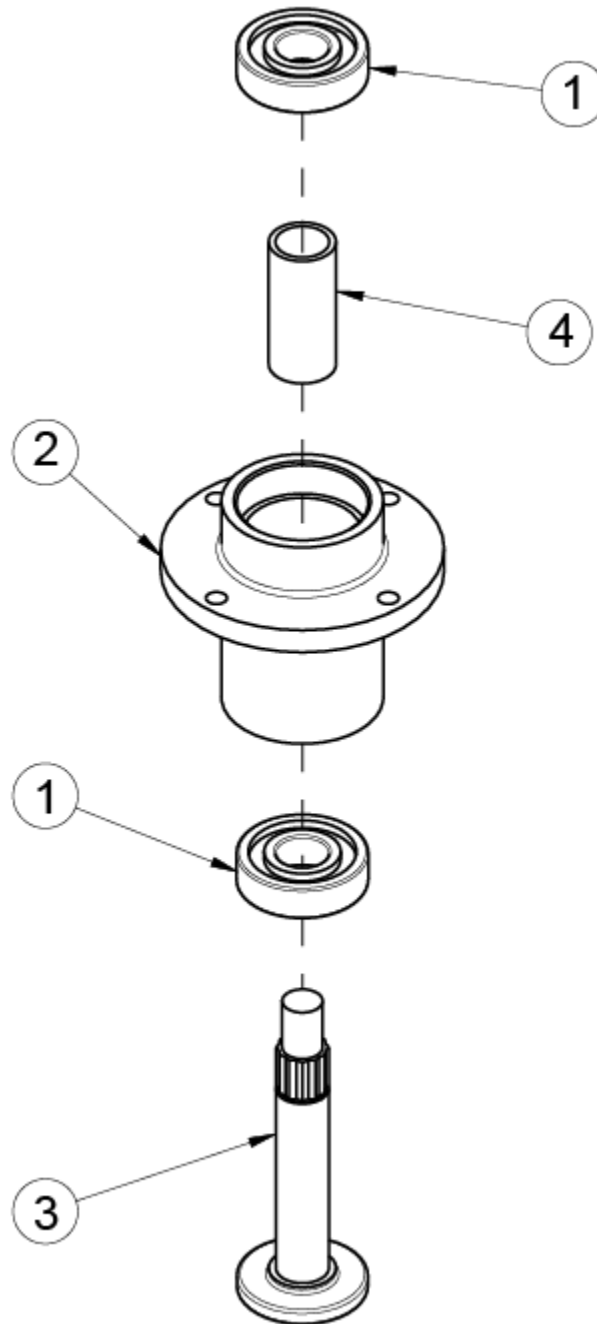
---

## 60" DECK ASSEMBLY

ITEM	PART NO.	DESCRIPTION
44	B6183-12	NUT, NYLOC FLANGE M12
45	B6187.1-10	LOCKNUT, FLANGE M10
46	B801-1060	BOLT, CARRIAGE M10 X 60
47	B801-820	BOLT, CARRIAGE SN M8X20
48	B97.1-8	WASHER 8

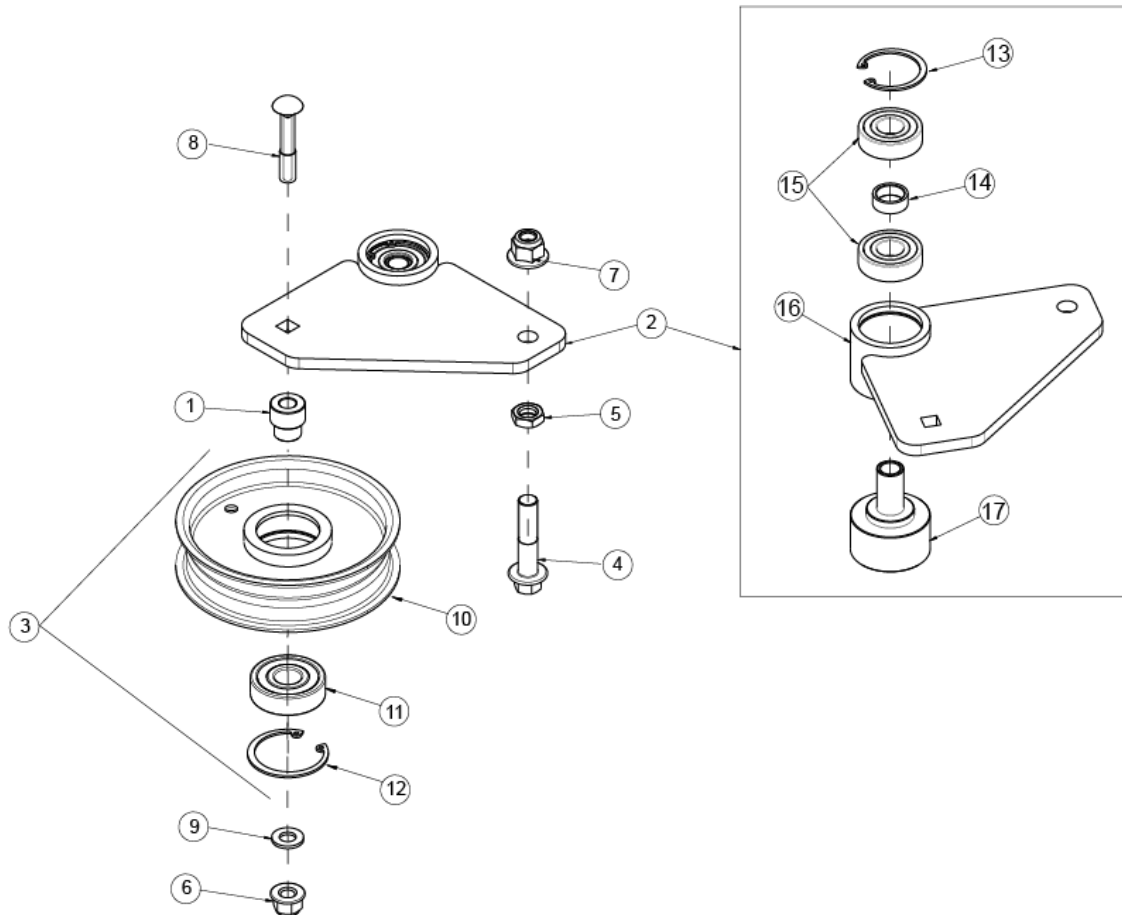


## SPINDLE HOUSING ASSEMBLY



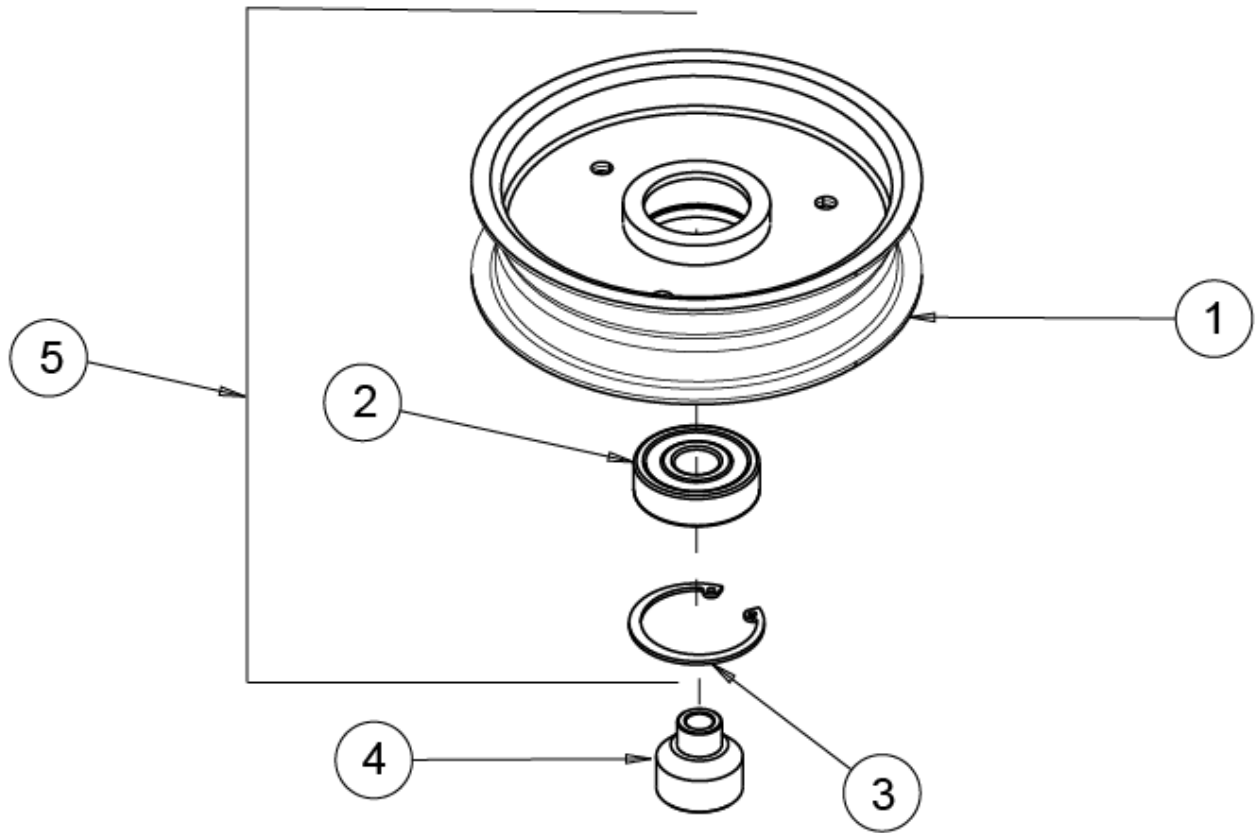
ITEM	PART NO.	DESCRIPTION
1	363350	BEARING - BLADE SPINDLE
2	583111	SPINDLE HOUSING
3	583112	SPINDLE SHAFT
4	583113	BEARING SPACER TUBE

## DECK IDLER ASSEMBLY



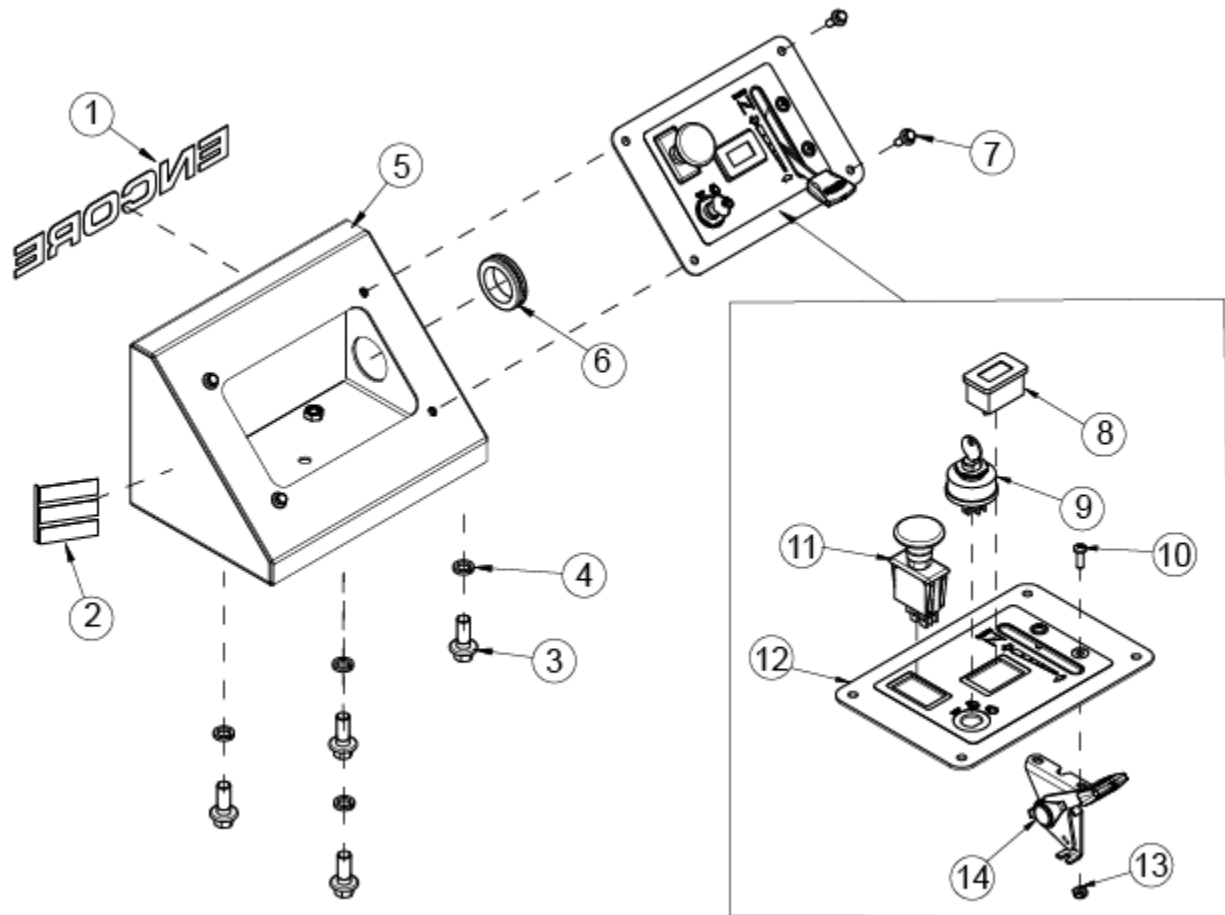
ITEM	PART NO.	DESCRIPTION
1	653020	SPACER, PULLEY
2	652028	ASM, IDLER W/BEARINGS
3	652034	ASM, 127MM X 32MM PULLEY W/BEARING
4	B5787-1255	SCREW, HH FLANGED M12 X 55
5	B6172-12	NUT, JAM M12
6	B6183-10	NUT, NYLOC FLANGE M10
7	B6183-12	NUT, NYLOC FLANGE M12
8	B801-1055	BOLT, CARRIAGE SN M10 X 55
9	B97.1-10	WASHER, FLAT M10
10	652033	WLD, 127MM X 32MM PULLEY
11	B276-6303RS-NSK	BEARING 6303-2RS-NSK
12	B893.2-47	SNAP RING 47
13	B893.1-40	SNAP RING 40
14	5201077	BUSHING
15	B276-6203RS	BEARING 6203-2RS
16	652009	WLD, DECK IDLER ARM
17	653019	SPACER, DECK IDLER

## DECK PULLEY ASSEMBLY



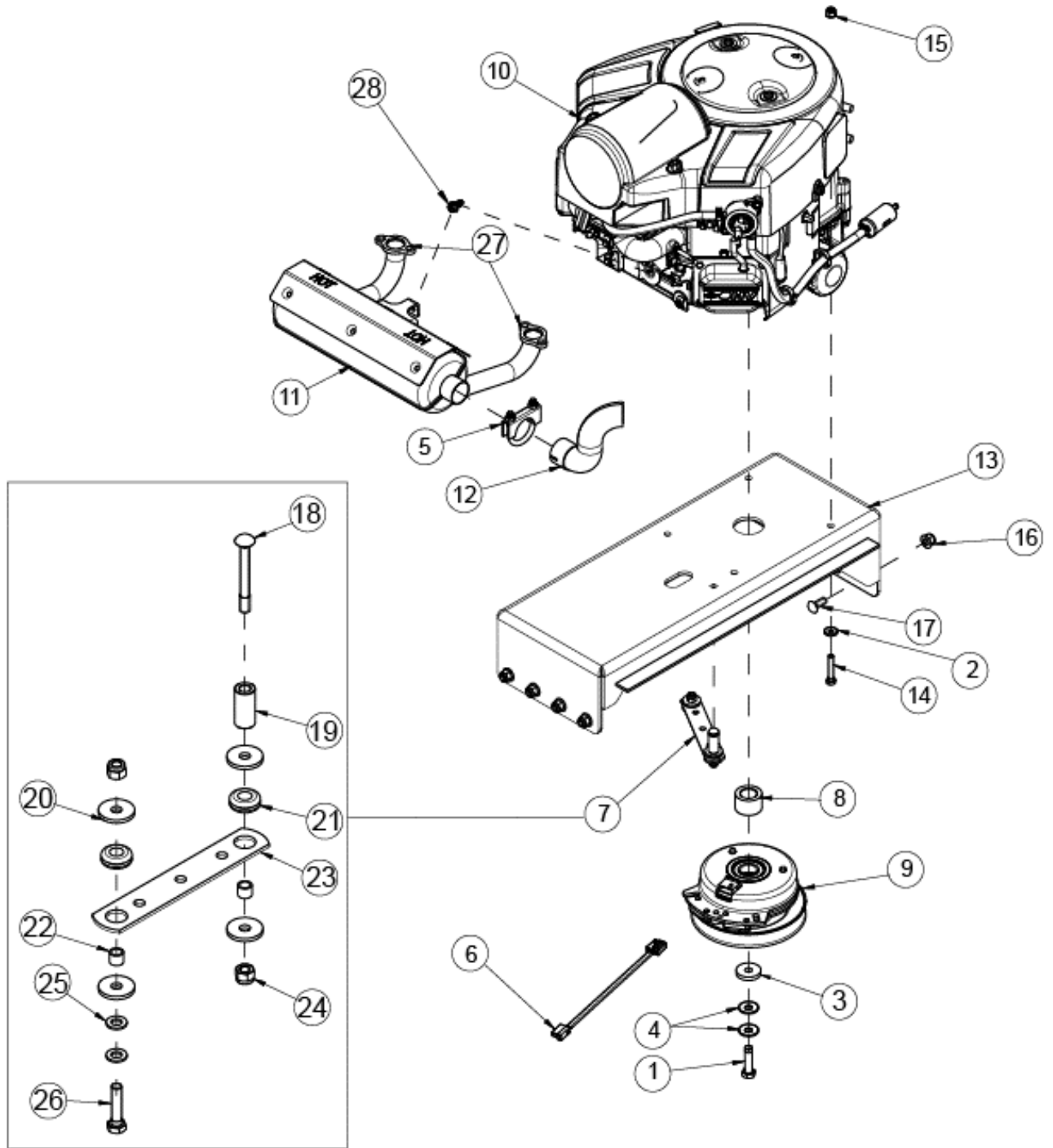
ITEM	PART NO.	DESCRIPTION
1	652033	WLD, 127MM X 32MM PULLEY
2	B276-6303RS	BEARING 6303-2RS
3	B893.1-47	SNAP RING 47
4	543450	SPACER, IDLER
5	652034	ASM, 127MM X 32MM PULLEY W/BEARING

## CONSOLE ASSEMBLY



ITEM	PART NO.	DESCRIPTION
1	363243	SMALL ENCORE LABEL
2	543406	DECAL, ENCORE LOGO
3	B5787-820	SCREW, HH FLANGE M8 X 20
4	B93-8	LOCKWASHER M8
5	652036-2	WLD, PB CONSOLE BOX
6	453382	GROMMET, RUBBER 1-5/16" I.D.
7	B5787-616	SCREW, HH FLANGE M6X16
8	453417	METER, MS HOUR
9	423027	IGNITION SWITCH
10	101039	#10-24 X 5/8 MACH SCREW
11	4807005	SWITCH, PTO
12	652041	ASM, PB CONSOLE PLATE W/DECAL
13	104252	#10-24 HEX NYLOC NUT
14	633103	THROTTLE CABLE

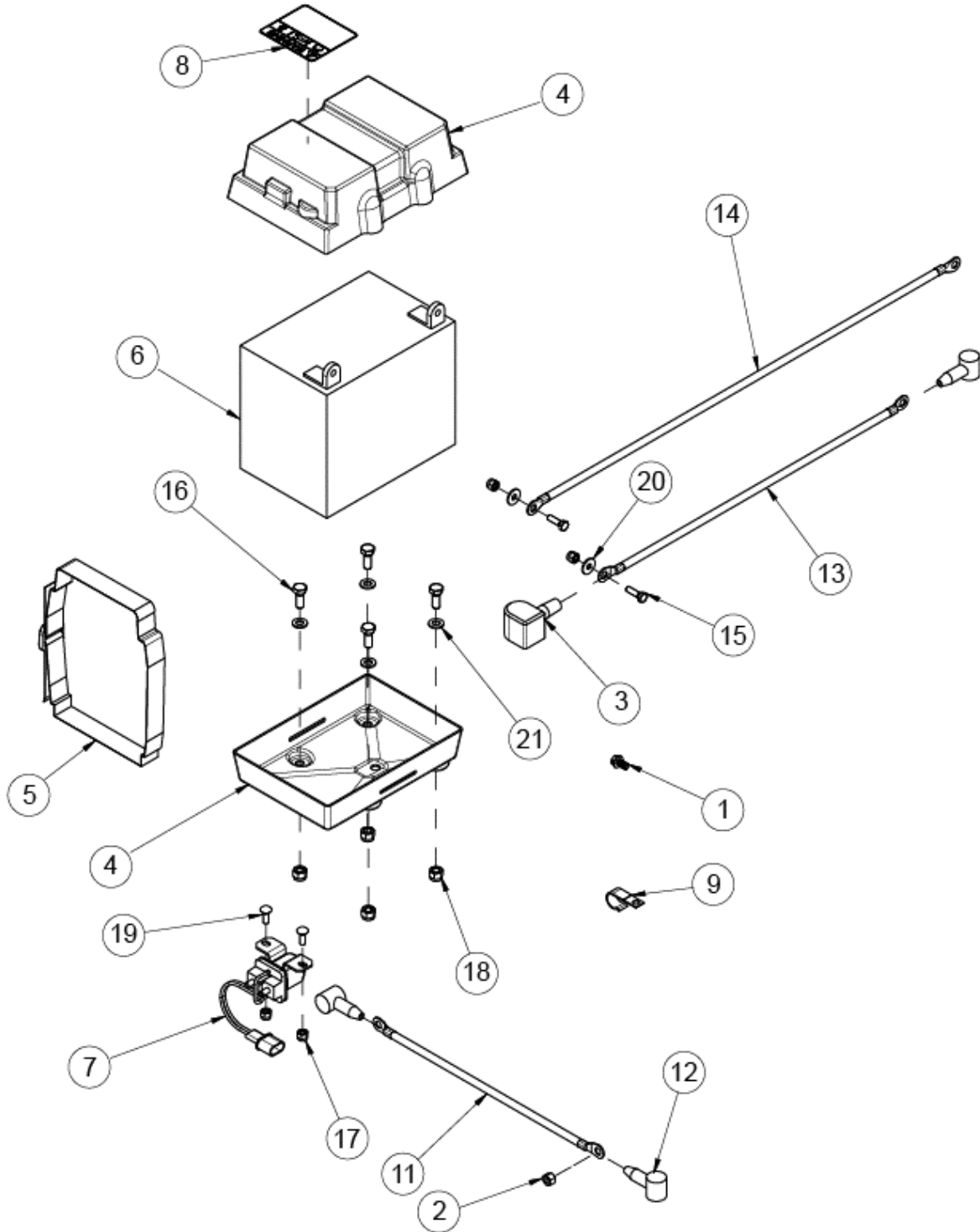
# ENGINE ASSEMBLY



## ENGINE ASSEMBLY

ITEM	PART NO.	DESCRIPTION
1	100533	7/16-20 X 1-3/4 HHCS
2	363226	WASHER, 5/16 SPRING DISC
3	423068	CLUTCH WASHER
4	423069	SPRING DISC WASHER – 7/16
5	593106	MUFFLER CLAMP – 1-1/2”
6	603083	CLUTCH ADAPT. HARNESS
7	652002	ASM, PULL BEHIND CLUTCH STOP
8	653002	SPACER, PULL BEHIND CLUTCH
9	653003	CLUTCH PULL BEHIND
10	FOR REFERENCE ONLY	ENGINE, BS CT 656 16HP
11	653025	MUFFLER, B&S PB
12	653066	TIP, EXHAUST
13	652020-2	WLD, 60 PH ENGINE DECK
14	B5783-845	SCREW, HH TAP M8 X 45
15	B6183-8	NUT, FLANGED NYLOC M8
16	B6183-10	NUT, FLANGED NYLOC M10
17	B801-1025	BOLT, CARRIGE SN M10 X 25
18	B801-865	BOLT, CARRIAGE SN M8 X 65
19	653004	SPACER, PULL BEHIND CLUTCH STOP
20	5203408	WASHER
21	5203410	RUBBER RING 17
22	5203409	SPACER / BUSHING
23	5203411	CLUTCH STOP STRAP
24	B6182-8	NUT, NYLOC M8
25	B97.1-8	WASHER 8
26	B5783-835	BOLT M8X35
27	483098	MUFFLER GASKET
28	102004	SCREW, 1/4-20 X 1/2 HWH SERRATED THD CUT

## BATTERY GROUP



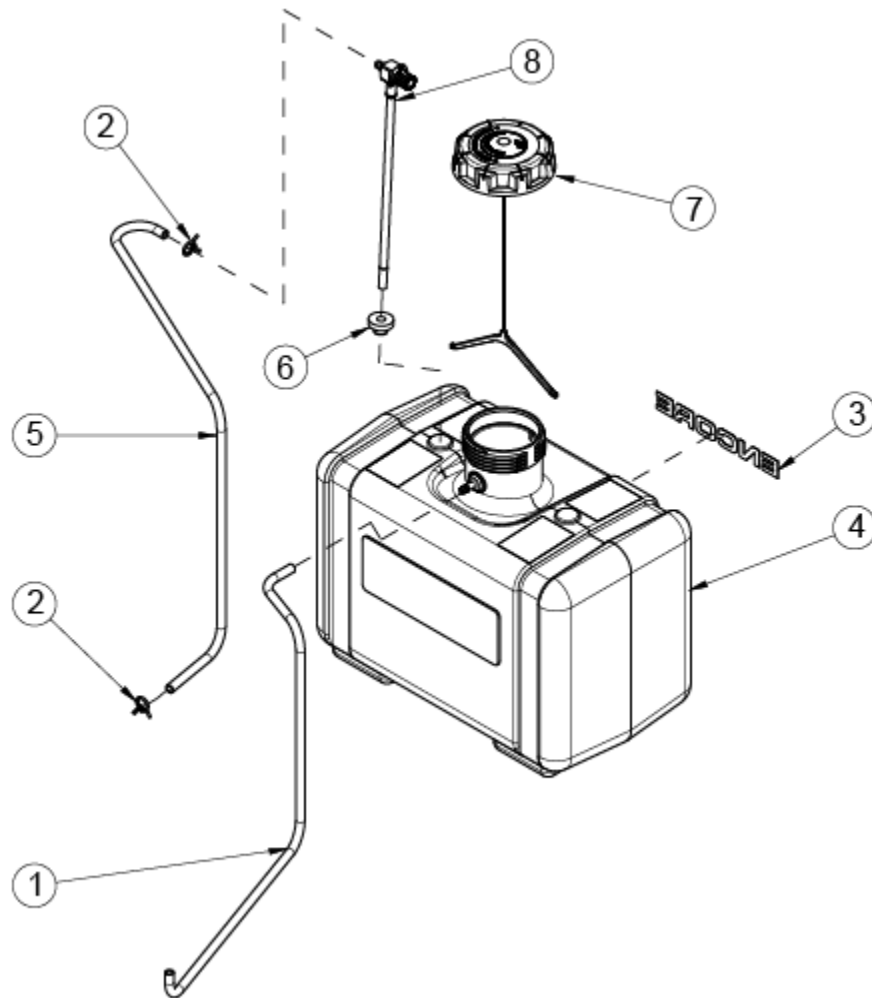
---

## BATTERY GROUP

ITEM	PART NO.	DESCRIPTION
1	104255	NUT, NYLOC 1/4 - 20
2	343134	BATTERY BOOT
3	363345	BATTERY CASE SET
4	363349	BATTERY BELT
5	FOR REFERENCE ONLY	BATTERY, 12V
6	463234	RELAY, START
7	543397	DECAL, BATTERY WARNING
8	653061	HARNESS, PULL BEHIND
9	2808106	CABLE, BATTERY POS.
10	2808107	COVER
11	5008008	CABLE, BATTERY NEG.
12	B5783-620	SCREW, HH TAP M6 X 20
13	B5783-820	SCREW, HH TAP M8 X 20
14	B6182-6	NUT, NYLOC M6
15	B6182-8	NUT, NYLOC M8
16	B801-616	BOLT, CARRIAGE SN M6 X 16
17	B96-6	WASHER, FLAT M6
18	B97.1-8	WASHER 8

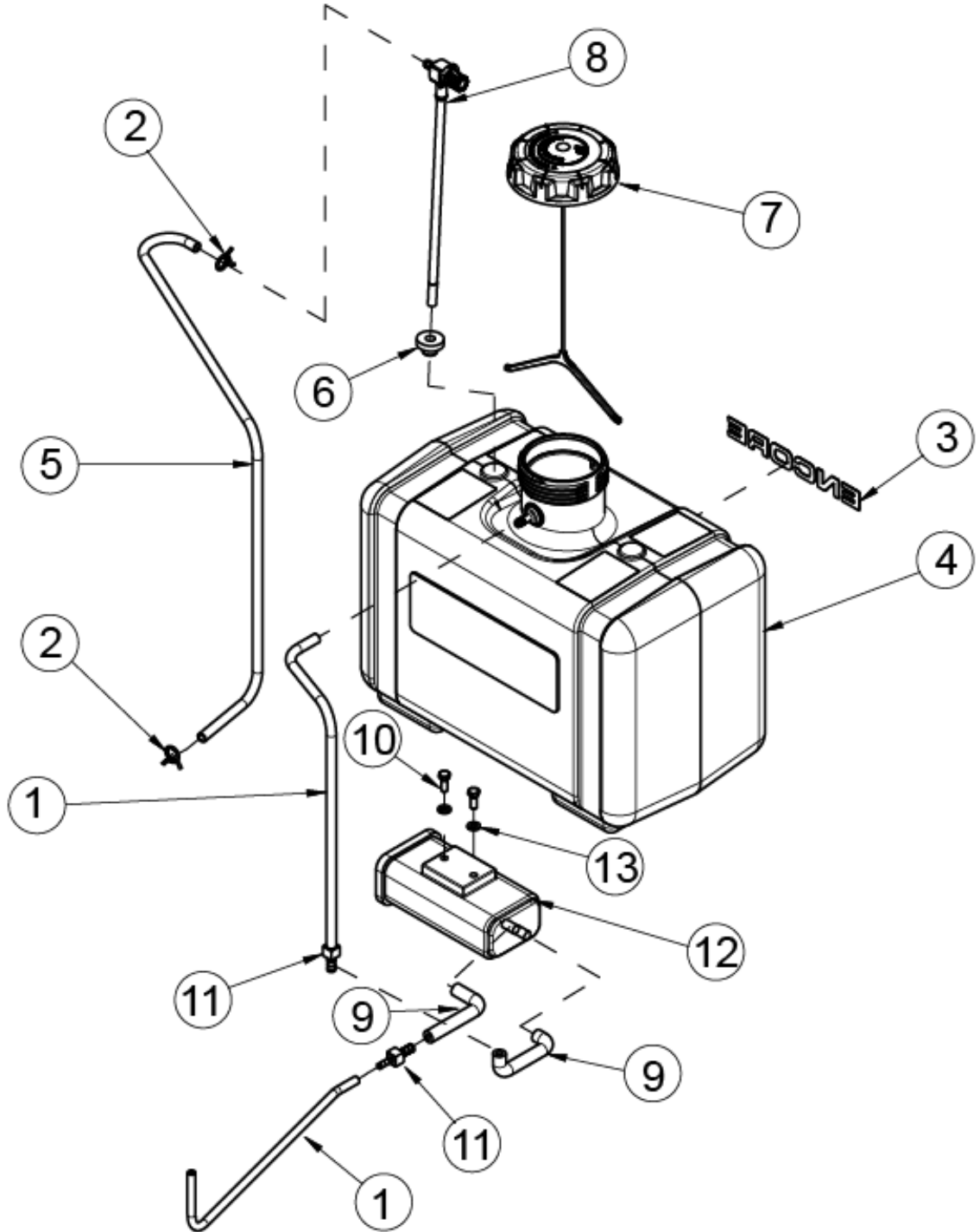


## FUEL ASSEMBLY



ITEM	PART NO.	DESCRIPTION
1	353223	HOSE, VENT 3/16 X 22"
2	363098	CLAMP, FUEL LINE 1/4 ID
3	363243	SMALL ENCORE LABEL
4	363410	FUEL TANK ASSY EPA/CARB
5	623411	1/4" FUEL LINE - 22"
6	533125	VALVE GROMMET - VITON
7	5204019	GAS CAP-EPA
8	363418	VALVE, FUEL - EPA

### FUEL ASSEMBLY – CA

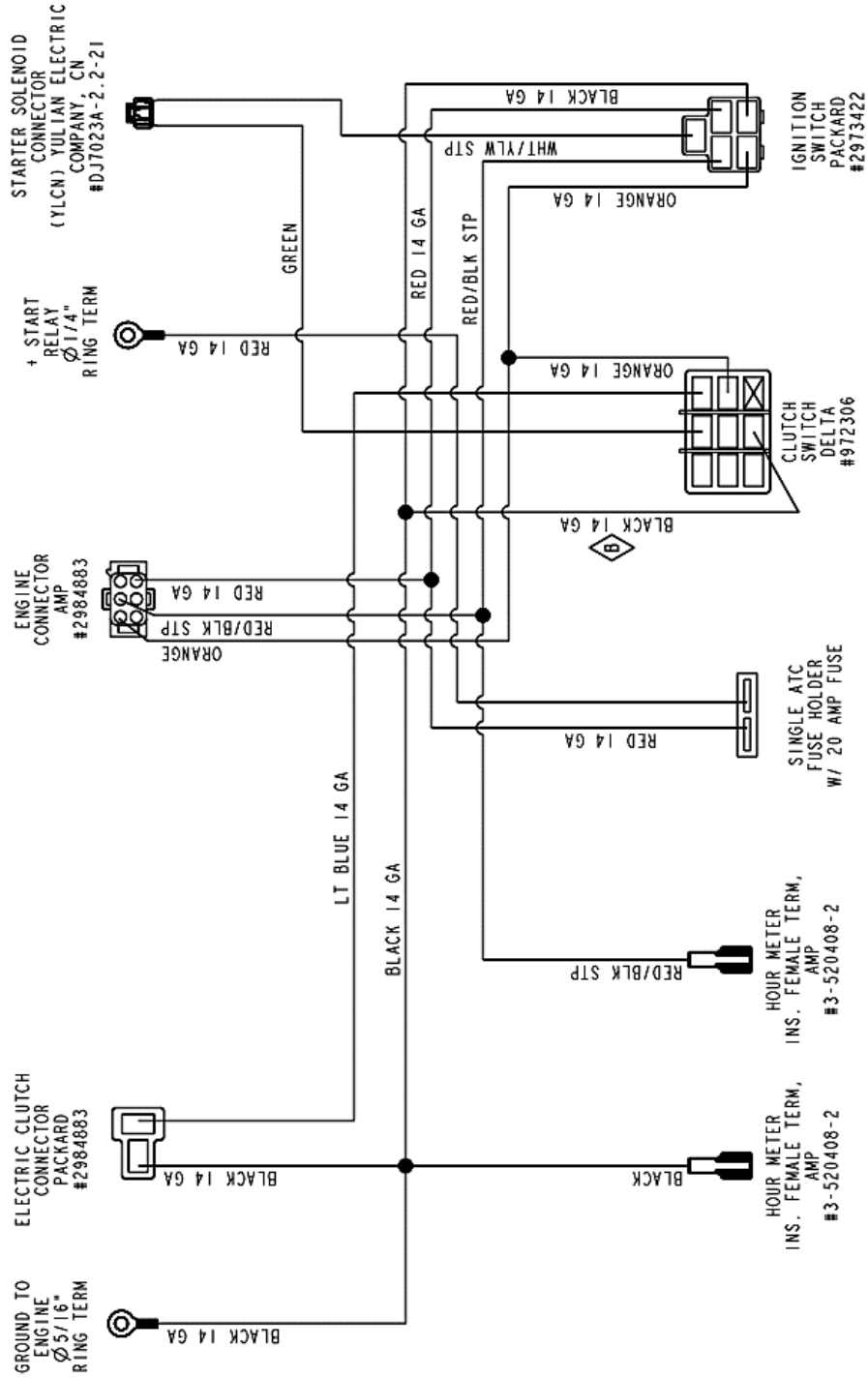


---

## FUEL ASSEMBLY – CA

ITEM	PART NO.	DESCRIPTION
1	543361	HOSE, VENT 3/16 ID X 15
2	363098	CLAMP, FUEL LINE 1/4 ID
3	363243	SMALL ENCORE LABEL
4	363410	FUEL TANK ASSY EPA/CARB
5	623411	1/4" FUEL LINE - 22"
6	533125	VALVE GROMMET - VITON
7	5204019	GAS CAP-EPA
8	363418	VALVE, FUEL - EPA
9	623414	HOSE, FUEL 1/4" ID X 4"
10	B5783-616	SCREW, HH TAP M6x16
11	5000130	REDUCER, HOSE 3/16 - 1/4
12	363423	CARBON CANISTER 382 CC
13	105004	1/4 LOCKWASHER-HEAVY

# WIRING HARNESS

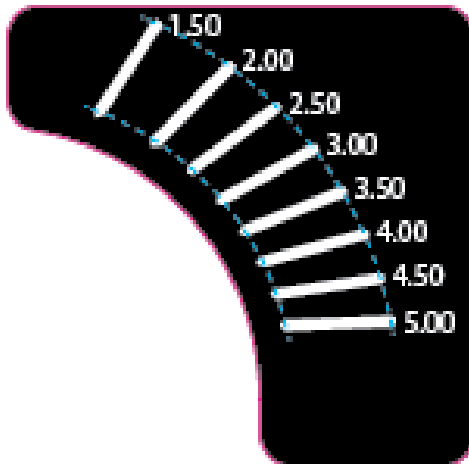


- NOTES:
1. ALL WIRE IS 18 GA. UNLESS NOTED OTHERWISE.
  2. ALL WIRE, TERMINALS AND CONNECTION ARE TO BE PER NMMA/ABYC ENGINEERING SPECIFICATIONS.
  3. ALL LIKE COLORED WIRES MUST BE ELECTRONICALLY CONNECTED UNLESS CIRCUIT CODING SHOWS OTHERWISE.
  4. ALL TERMINALS ARE TO BE SIZED TO THE GAUGE OF WIRE THEY ARE BEING INSTALLED ON.
  5. ALL HOUSINGS AND MOLDED PLUGS THAT SHOW PIN POSITION ARE FROM REAR (WIRE SIDE) VIEW.

## DECAL GROUP



543392



653008

ENCORE

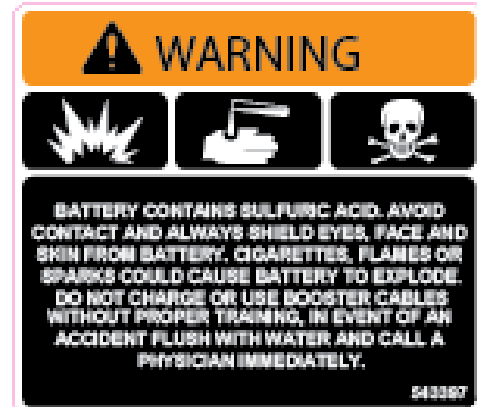
363243

ENCORE

543470

ENCORE

543471



543397



453389



543380

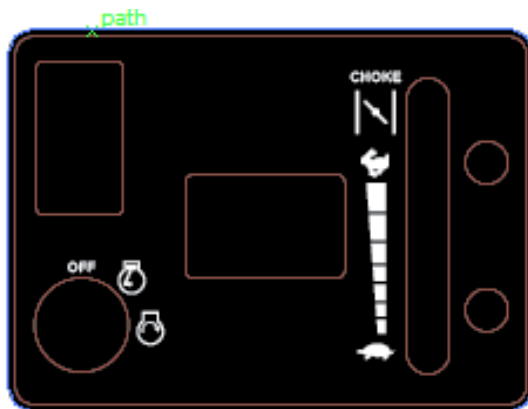


8304

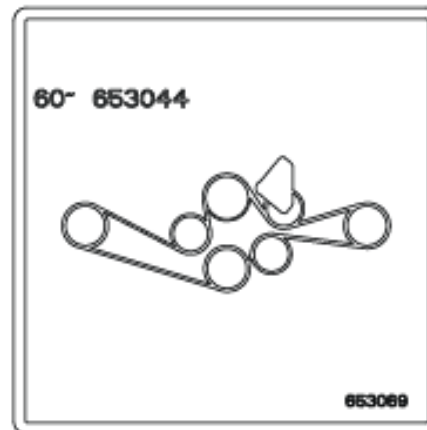


543402

## DECAL GROUP



653141



653069



363023



8008



8303



543406



8307

# TRACER

653065



