



EW36FS481VHF

EW48FS481VHF



PARTS MANUAL



ENCORE MANUFACTURING
A DIVISION OF WORL DLAWN POWER EQUIPMENT, INC.

ENCOREEQUIPMENT.COM

2415 ASHLAND AVE
BEATRICE, NE 68310
800-267-4255
FAX – 402-223-4103

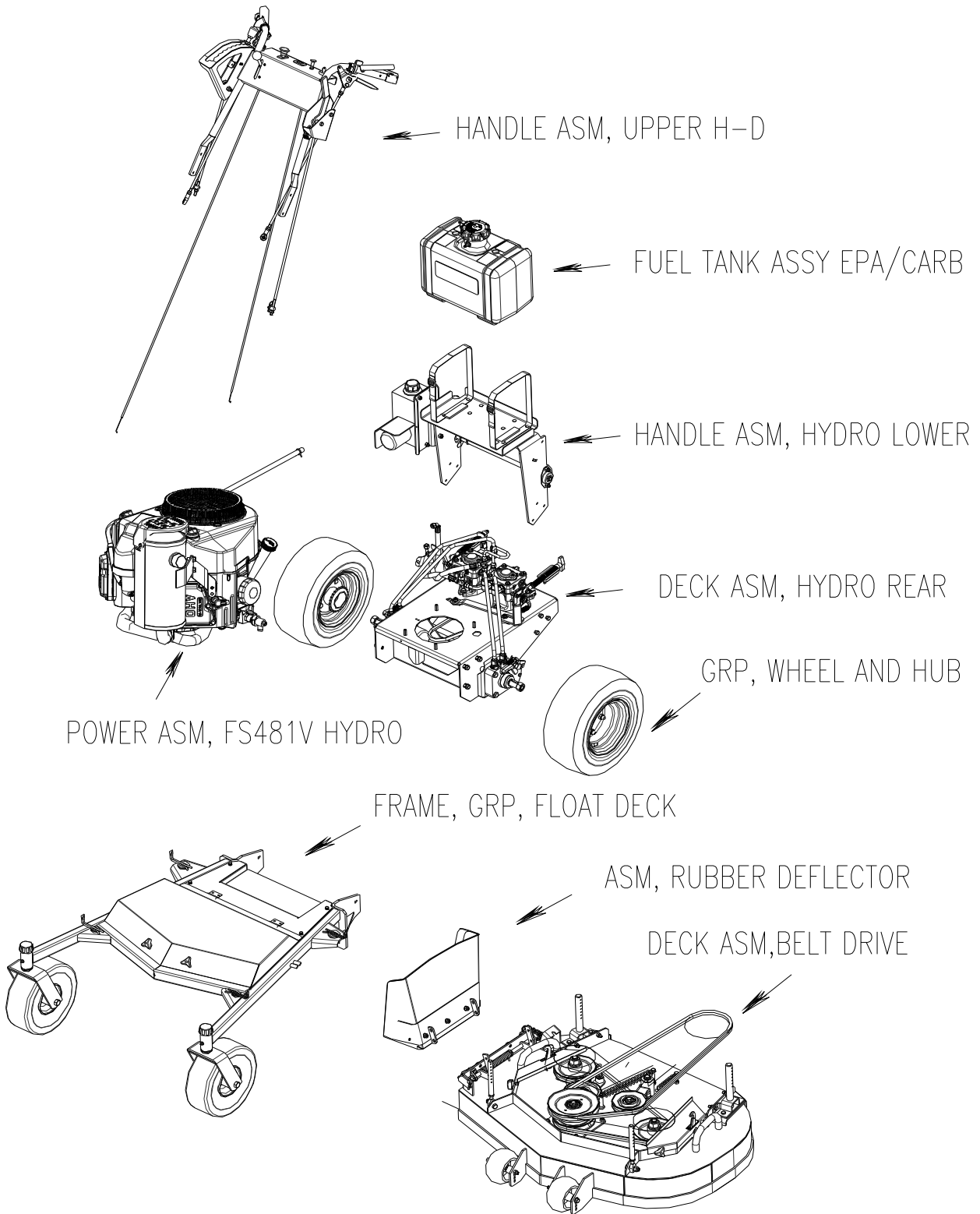
CONTENT



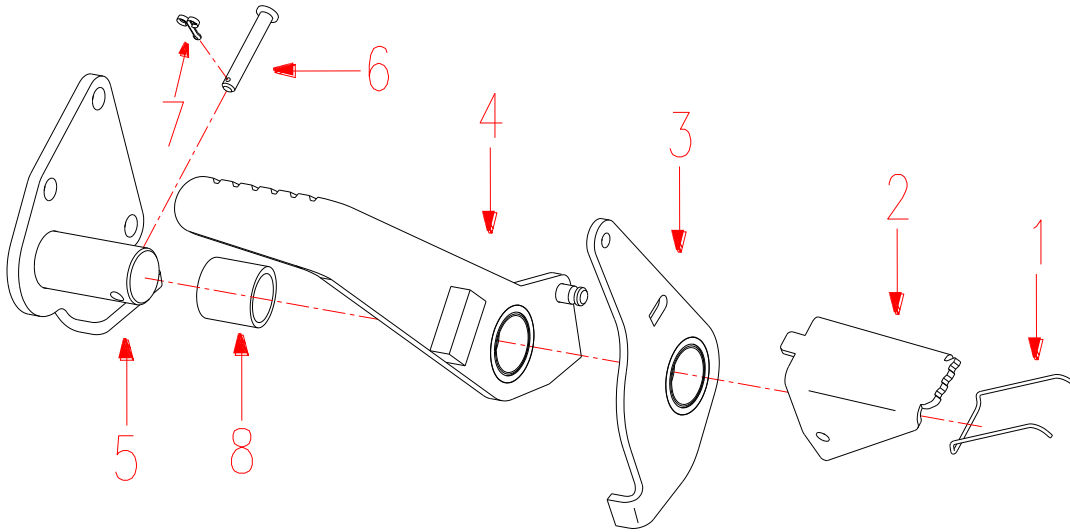
Content

WHOLE MOWER.....	2
LEVER ASM,DEFLECTOR LIFT.....	3
DECK ASM, 36” FLOAT.....	4
DECK ASM, 48” FLOAT.....	6
REAR DECK ASM, 36” HYDRO.....	8
REAR DECK ASM, 48” HYDRO.....	10
HANDLE ASM ,HYDRO LOWER.....	12
HANDLE ASM, UPPER H-D.....	13
FRAME GRP, FLOAT DECK - WL.....	15
DISCHARGE CHUTE COVER ASSY, 36”.....	16
ASM, OCDC,48”.....	17
FUEL TANK ASSY.....	18
ENGINE.....	19
GRP,WHEEL AND HUB.....	20
WIRE.....	21
DECAL.....	22

WHOLE MOWER

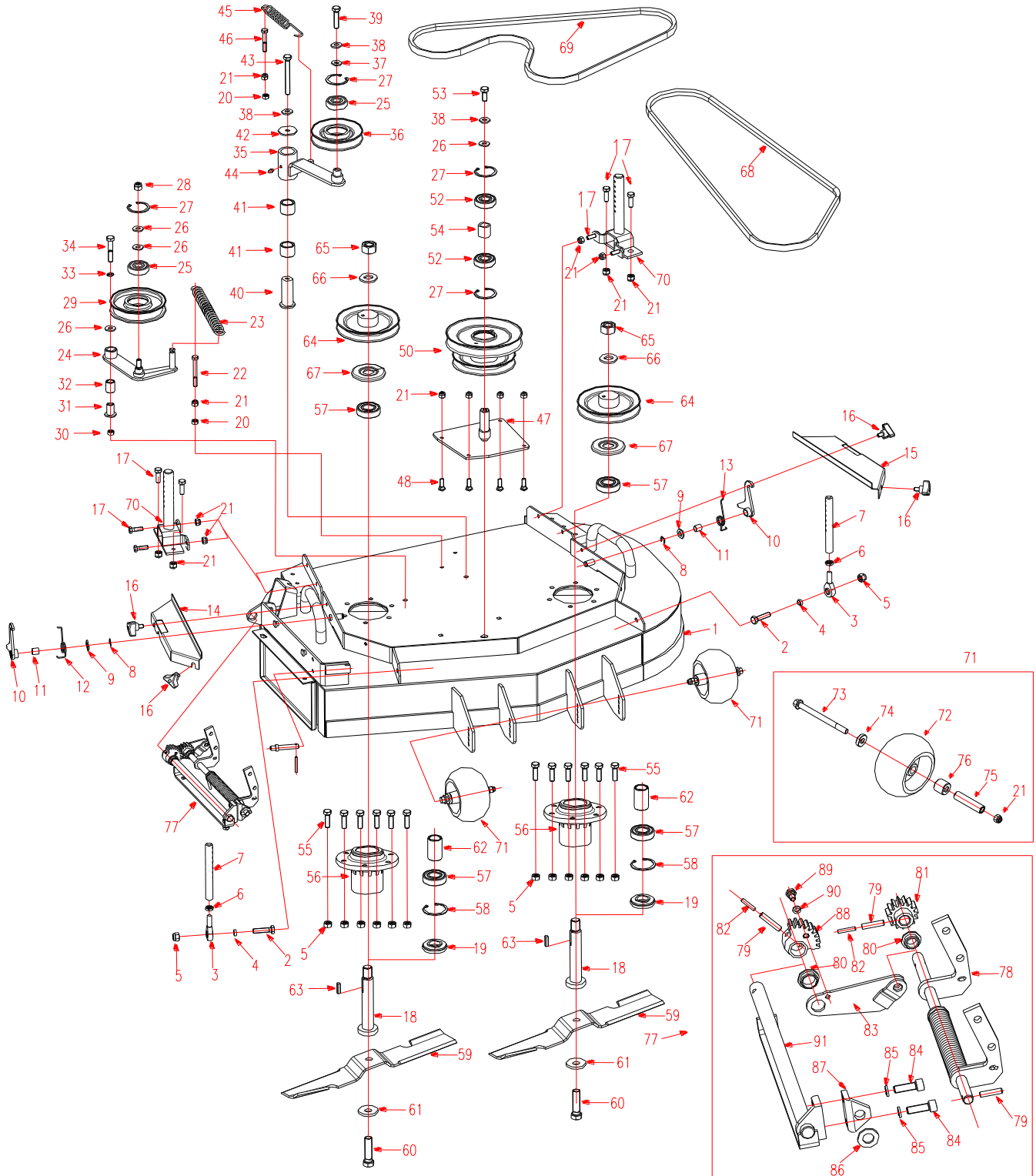


LEVER ASM, DEFLECTOR LIFT



ITEMS	PART NO.	DESCRIPTION
1	453529	SPRING, PEDAL ENGAGE
2	452177	PEDAL WMT, RELEASE
3	452175	LEVER ASM, ENGAGE
4	452176	PEDAL ASM, ENGAGE
5	452172-1	PLATE, PEDAL - BLK
6	B882B-640	PIN, 6X40 CLEVIS
7	B91-214	PIN, 2X14 COTTER
8		

DECK ASM, 36" FLOAT

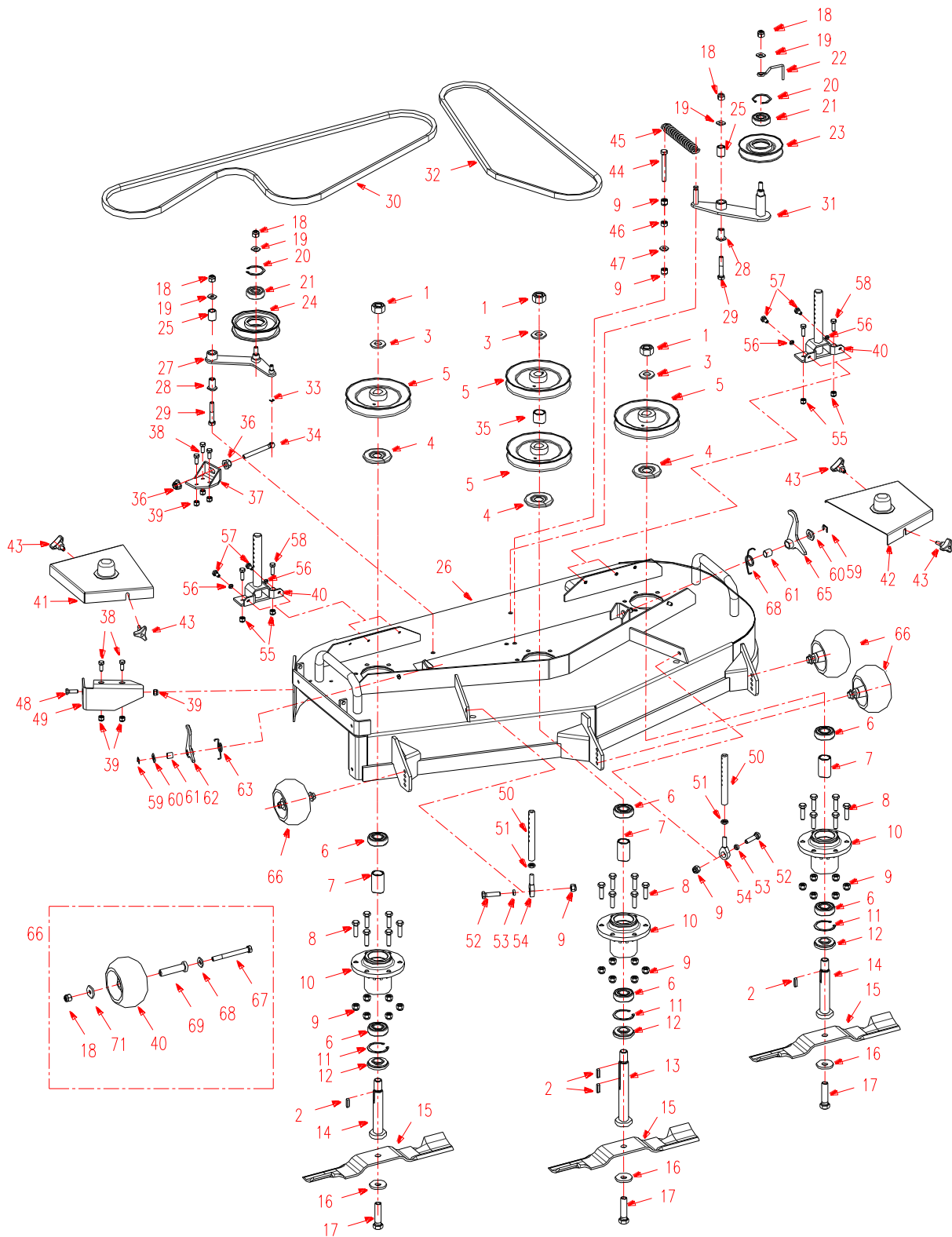




DECK ASM, 36" FLOAT

ITEMS	PART NO.	DESCRIPTION	ITEMS	PART NO.	DESCRIPTION
1	362108	DECK, 36 FLOAT - RED	47	362097	WLD, IDLER AXLE
2	B5783-1040	BOLT M10X40	48	B12-825	SQUARE BOLT M8 X 25
3	SABJK10C	ROD END SABJK10C	49	363442	140MM PULLEY
4	4801302	SPACER	50	363441	HUB, DOUBLE PULLEY
5	B6182-10	NUT, NYLOC M10	51	363443	170MM PULLEY
6	B6172-10	NUT, JAM M10	52	B276-6204RS	BEARING
7	4801301	FRONT COLUMN	53	B5783-1025	SCREW, HH TAP M10X25
8	B896-9	SNAP RING 9	54	363449	SPACER, BUSHING
9	B97.1-12	WASHER 12	55	B5783-1035	SCREW, HH TAP M10X35
10	3202225	HOOK WELDMNT, RIGHT	56	5201050	SPINDLE HOUSING
11	3202024	BUSHING	57	B276-6205RS	BEARING 6205-2RS
12	3202017	LEFT TORSION SPRING	58	B893.2-52	SNAP RING 52MM
13	3202018	RIGHT TORSION SPRING	59	3602005	BLADE
14	363462-2	COVER, 36" RH BELT - RED	60	B5785-161560	BOLT M16X1.560
15	363461-2	COVER, 36" LH BELT - RED	61	5201042	WASHER
16	3302190	KNOB, 3-PRONGED W/STUD	62	5201049	SPACER/BUSHING
17	B5783-825	HEX HEAD BOLT M8X25	63	B1096-B625	KEY B6X25
18	5201051	CORE SHAFT	64	3602200	BLADE PULLY WELDMNT
19	5201043	SAFETY COVER, LOWER	65	B6171-20	NUT M20X1.5
20	B6170-8	NUT M8	66	5201048	WASHER
21	B6182-8	NUT, NYLOC M8	67	5201044	UPPER DUST COVER
22	B5782-870	BOLT M8X70	68	363448	BELT, DECK DRIVE 36"
23	4806004	IDLER SPRING	69	3302017	BELT, BLADE DRIVE
24	362099	WLD, DECK RIGHT IDLER	70	362103	POST WLD, REAR HEIGHT
25	B276-6303RS	BEARING 6303-2RS	71	3602190	ASM, ASR
26	3302058	WASHER 10	72	5201081	ANTI-SCALP ROLLER
27	B893.2-47	SNAP RING 47	73	B5787-10120	HEX FLANGE BOLT M10X120
28	B6182-10	NUT, NYLOC M10	74	5002164	PADDING BLOCK
29	3302056	IDLER PULLEY	75	5201084	BUSHING, ROLLER
30	B6170-10	NUT M10X1	76	3602014	BUSHING / SPACER
31	4201801	BUSHING	77	364070	ASM, GEAR AXLE
32	B2685-162025	BEARING 16X20X25	78	3602795	LEFT SHAFT WELDMNT
33	B93-10	LOCKWASHER M10	79	B879-625	PIN 6X25
34	B5782-1055	HEX HEAD BOLT M10X55	80	3602677	BUSHING
35	362100	WLD, DECK LIFT IDLER	81	3602792	GEAR
36	2802070	IDLER PULLEY	82	B879-420	PIN 4X20
37	3302058	WASHER 10	83	3602670	BRACKET WELDMNT
38	5201061	WASHER	84	B70-825	SCREW M8X25
39	B5783-1045	BOLT M10X45	85	B93-8	LOCKWASHER 8
40	5207081	BUSHING	86	B97.1-12	WASHER 12
41	B2685-253225	BEARING 25E8X32X25	87	3602783A	BRACKET
42	5201067	SPACER	88	3602666	BIG GEAR
43	B5783-1090	HEX HEAD BOLT M10X90	89	B5783-612	SCREW, HH TAP M6x12
44	B1152-6	GREASE FITTING M6	90	B93-6	WASHER 6
45	3202021	SPRING	91	3602665	BRACKET RIGHT
46	B5782-850	SCREW, HH M8x50			

DECK ASM, 48" FLOAT

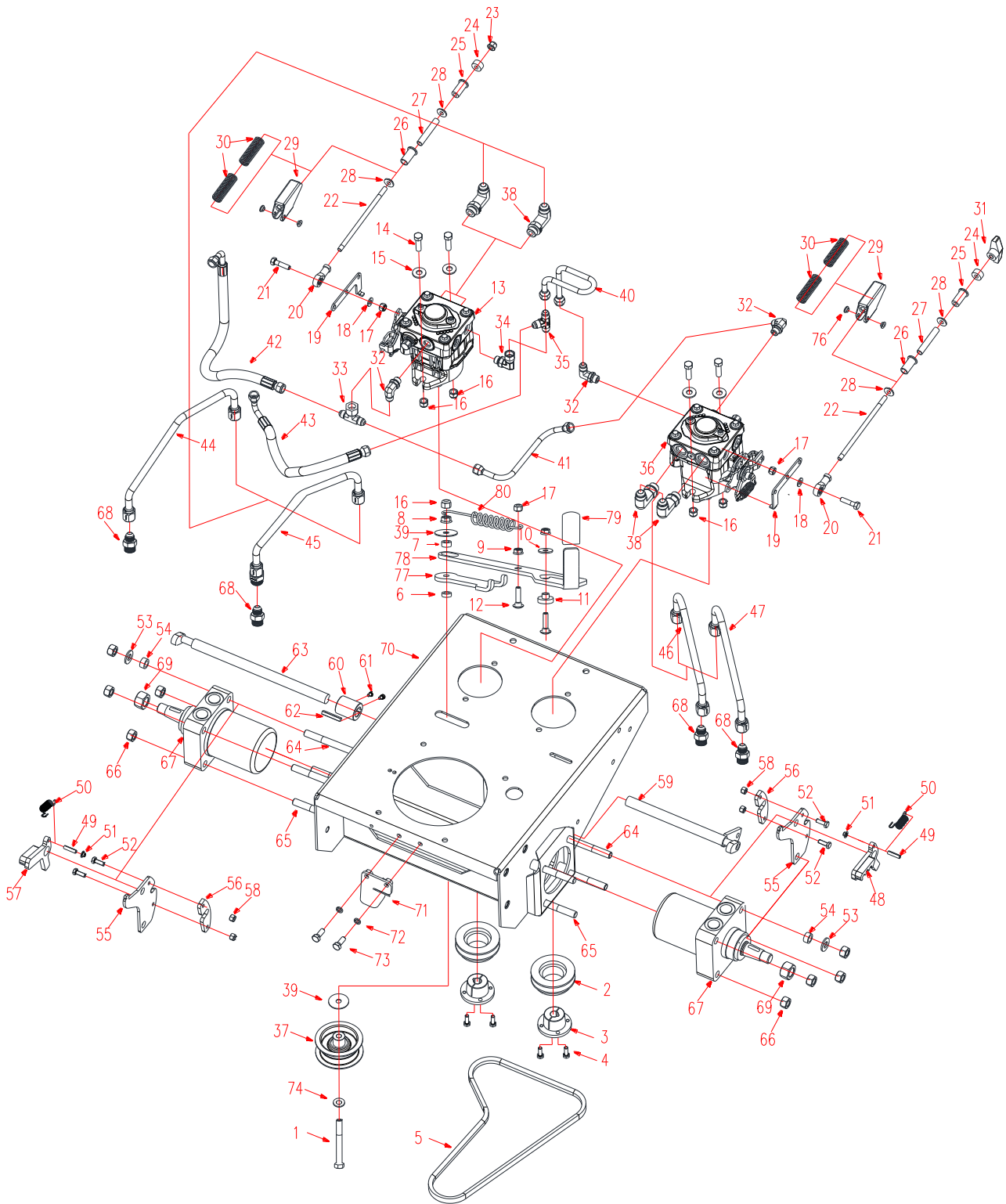




DECK ASM, 48" FLOAT

ITEMS	PART NO.	DESCRIPTION	ITEMS	PART NO.	DESCRIPTION
1	B6171-20	NUT M20X1.5	37	4201840	TENSION FIXED SEAT
2	B1096-625	KEY 6X25	38	B5783-820	SCREW, HH TAP M8X20
3	5201048	WASHER	39	B6182-8	NUT, NYLOC M8
4	5201044	UPPER DUST COVER	40	5201083	SPACER
5	4801403	BLADE PULLEY	41	482076	COVER, 48 RH FLOAT
6	B276-6205RS	BEARING 6205-2RS	42	482077	COVER, 48 LH FLOAT
7	5201049	SPACER/BUSHING	43	3302190	KNOB, 3-PRONGED
8	B5783-1035	SCREW, HH TAP M10X35	44	B5783-1080	HEX HEAD BOLT M10X80
9	B6182-10	NUT, NYLOC M10	45	4806004	IDLER SPRING
10	5201050	SPINDLE HOUSING	46	B6170-10	NUT M10X1
11	B893.1-52	SNAP RING 52	47	4808002	WASHER
12	5201043	COVER, LOWER	48	B5783-825	HEX HEAD BOLT M8X25
13	483112	SHAFT, BLADE SPINDLE	49	4801200A	GRASS BOARD
14	4201405	CORE SHAFT	50	4801301	FRONT COLUMN
15	4801401U	BLADE	51	B6170-10	NUT M10X1
16	5201042	WASHER	52	B5783-1040	BOLT M10X40
17	B5785-161560	BOLT M16X1.5X60	53	4801302	SPACER
18	B6182-10	NUT, NYLOC M10	54	B9163-10	ROD END SABJK10C
19	3302058	WASHER 10	55	B6182-8	NUT, NYLOC M8
20	B893.1-47	SNAP RING 47	56	B93-8	LOCKWASHER 8
21	B276-6303RS	BEARING 6303-2RS	57	B5783-816	SCREW, HH TAP M8X16
22	4201802	BELT HOOK	58	B5783-825	HEX HEAD BOLT M8X25
23	2802070	IDLER PULLEY	59	B896-9	SNAP RING 9
24	3302056	IDLER PULLEY	60	B97.1-12	WASHER 12
25	B2685-162025	BEARING 16X20X25	61	3202225	HOOK WMT, RIGHT
26	482073	DECK, 48"FLOAT-RED	62	3202024	BUSHING
27	4201830	RIGHT TENSION ARM WLD	63	3602028	RIGHT TORSION SPRING
28	4201801	BUSHING	64	3602027	LEFT TORSION SPRING
29	B5782-1055	HEX HEAD BOLT M10X55	65	3202220	HOOK WMT, LEFT
30	4801007	BELT, BLADE DRIVE	66	5201080	ROLLER WHEEL ASSY
31	482053	WLD, DECK IDLER	67	B5782-10100	BOLT M10X100
32	483116	BELT, DECK DRIVE	68	5201061	WASHER
33	B896-8	E-CLIP 8	69	5201082	BUSHING, ROLLER
34	4201011	SWING BOLT (LONG)	70	5201081	ANTI-SCALP ROLLER
35	3207002	SPACER			
36	B6187-12	NUT, FLANGED TOPLOCK M12			

REAR DECK ASM, 36" HYDRO





REAR DECK ASM, 36"HYDRO

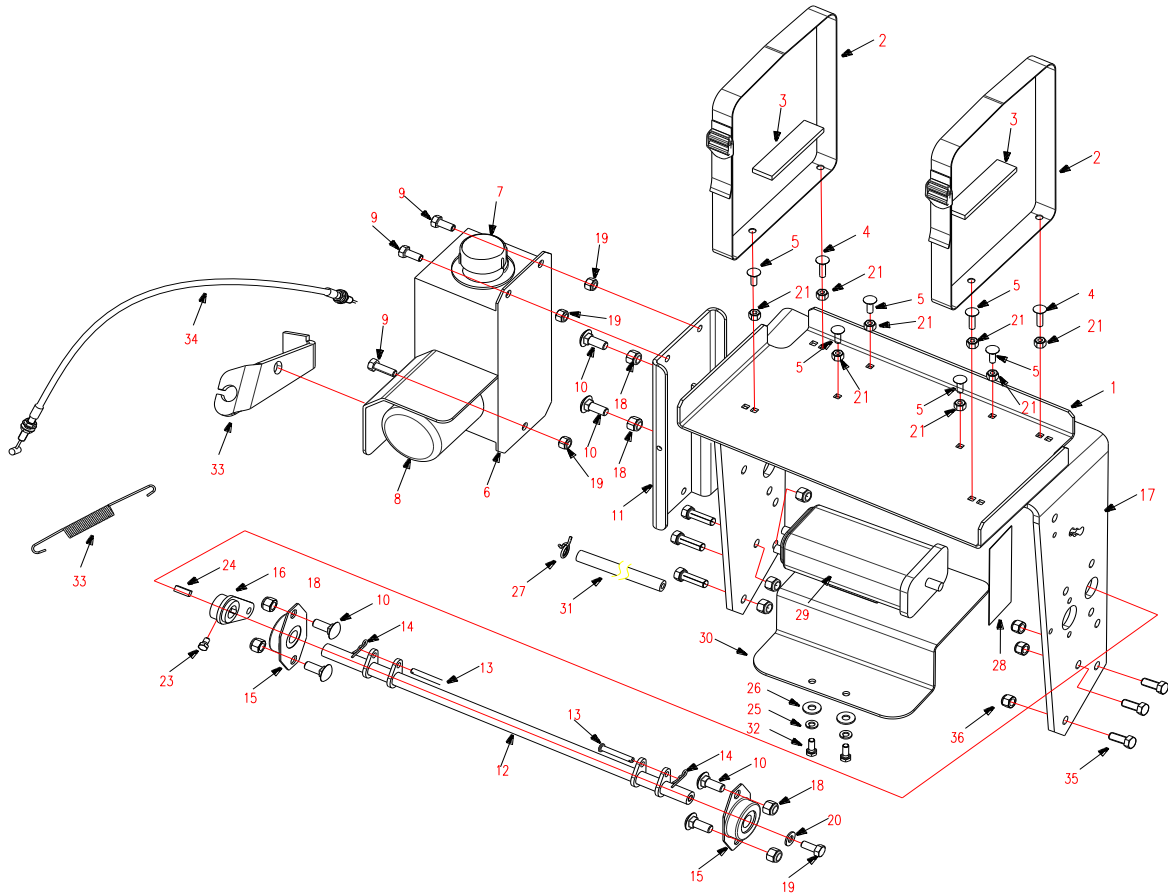
ITEMS	PART NO.	DESCRIPTION	ITEMS	PART NO.	DESCRIPTION
1	100300	3/8-16 X 3 HHCS	41	453533	TUBE ASM, PUMP RETURN
2	453161	PUMP PULLEY TAPER LOCK	42	453168	TANK HOSE - 16"
3	423178	15MM TAPER HUB	43	453168	TANK HOSE - 16"
4	100252	1/4-20 X 3/4 HHCS	44	453489	TUBE, RH 36 FRONT HYD
5	453536	BELT, PUMP DRIVE	45	453490	TUBE, RH 36 REAR HYD
6	453537	SPACER, CS SLIDE	46	453487	TUBE, LH 36 FRONT HYDRO
7	453538	HANDLE, COLD START	47	453488	TUBE, LH 36 REAR HYD
8	109007	3/8-16 WHIZLOCK NUT	48	452154	CLAW WLD, LH PARK BRAKE
9	109001	5/16-18 WHIZLOCK NUT	49	106334	1/4 X 1 ROLL PIN
10	B96-8	WASHER 8	50	363155	OPC SPRING
11	453539	POST, CS LATCH	51	423410	1/4" PAL NUT
12	107529	5/16-18X1-1/2 C HEAD	52	100252	1/4-20 X 3/4 HHCS
13	453467	PUMP, CW RTN PE	53	105266	1/2 SAE FLAT WASHER
14	100293	3/8-16 X 1-1/4 HHCS	54	423284	BRAKE ARM BUSHING - PLTD
15	105260	3/8 STD FLAT WASHER	55	453460-1	BRACKET, PARK BRAKE - BLK
16	104257	3/8-16 HEX NYLOC NUT	56	423402	CAM ROD RETAINER - PLTD
17	104256	5/16-18 HEX NYLOC NUT	57	452155	CLAW WLD, RH PARK BRAKE
18	105257	5/16 SAE FLAT WASHER	58	104255	1/4-20 HEX NYLOC NUT
19	453468	BRACKET, PUMP LEVER	59	482065	SHAFT WLD, 36" PARK BRAKE
20	5205016	ROD END SIBJK8S	60	483123	COUPLER, BRAKE SHAFT
21	100274	5/16-18 X 1-1/4 HHTB	61	B70.1-510	CAP SCREW, 5 X 10 HEX
22	453459	ROD, SPRING CARTRIDGE	62	B1096B-640	KEY, 6 X 40 SQ
23	B6183-8	NUT, FLANGED NYLOC M8	63	482064	SHAFT WLD, RH PARK BRAKE
24	453472	SPACER, STOP NUT	64	100335	1/2-13 X 4 HHCS
25	453456	BUSHING, ROD GUIDE	65	100334	1/2-13 X 3.5 HHCS
26	453455	BUSHING, SLEEVE GUIDE	66	104259	1/2-13 HEX NYLOC NUT
27	453458	SLEEVE, STOP	67	453068	WHEELMOTOR WB
28	453457	WASHER, SPRING STOP	68	453114	MOTOR ADPT.
29	453454	BRACKET, CARTRIDGE	69	104511	3/4-16 UNF REG HEX NUT
30	453453	SPRING, SPEED CONTROL	70	452148-2	DECK, REAR HYDRO - RED
31	453449	KNOB, 3/8-16 CLAMPING	71	452186	WLD, CLUTCH TORSION
32	453074	90 DEGREE ADAPTER	72	B93-8	LOCKWASHER 8
33	453106	SWIVEL TEE	73	B5783-820	SCREW, HH TAP M8X20
34	453109	SWIVEL ELBOW	74	105259	3/8 SAE FLAT WASHER
35	453020	CROSS ADAPTER	75	107524	5/16-18 X 1-1/4 C BOLT
36	453466	PUMP, CCW RTN PE	76	453576	BUSHING, 6X8X4L FLG
37	393004	PULLEY-CALIPER	77	453571-1	STRUT, IDLER MOUNT - BLK
38	453167	PUMP ADAPTER 90L	78	453572-1	HANDLE, IDLER - BLK
39	483019	RH IDLER WASHER	79	363022	ADJ. LEVER GRIP
40	453532	TUBE ASM, PUMP SUPPLY	80	3202021	SPRING



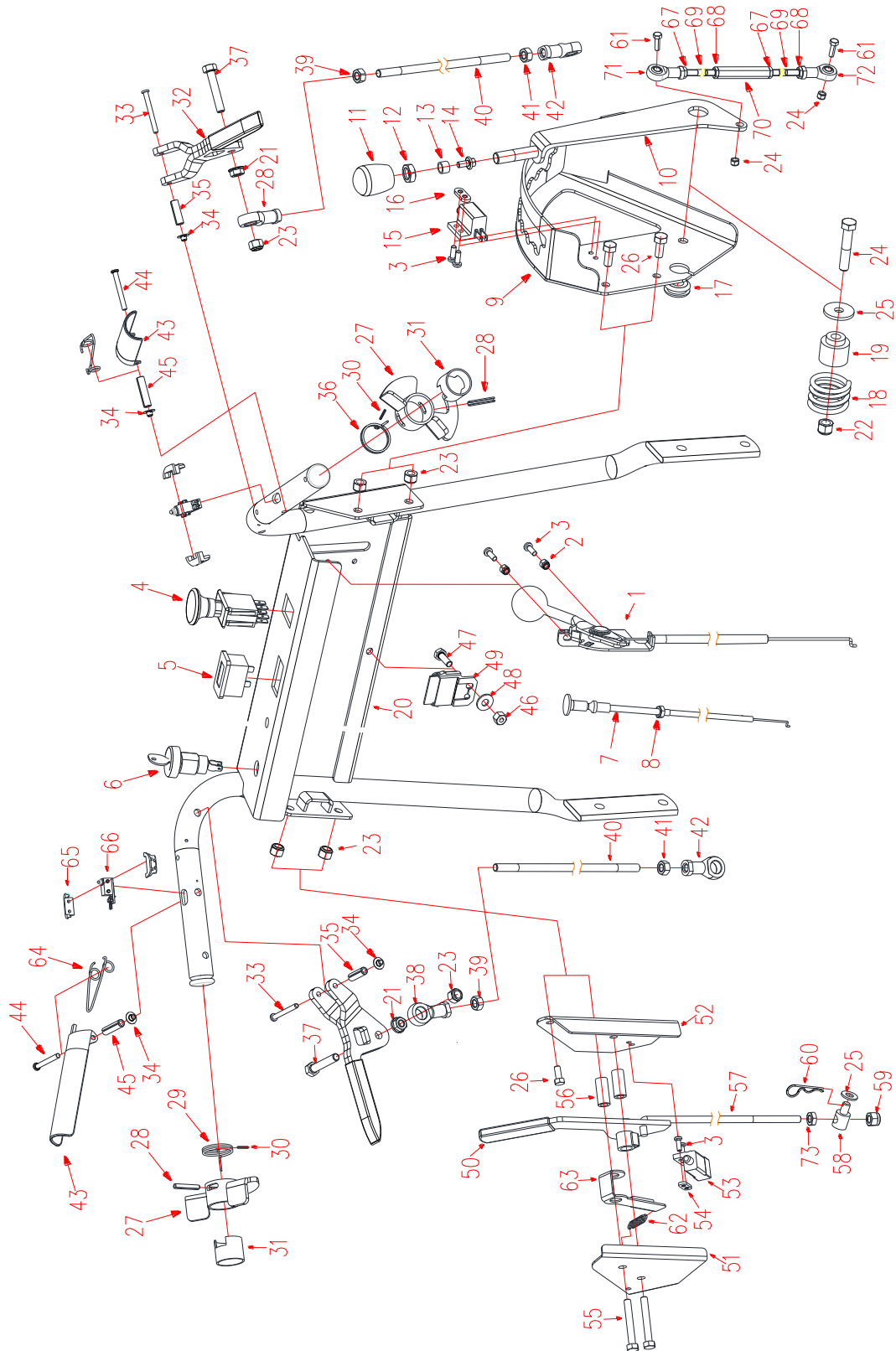
DECK ASM, 48" HYDRO REAR

ITEMS	PART NO.	DESCRIPTION	ITEMS	PART NO.	DESCRIPTION
1	100300	3/8-16 X 3 HHCS	42	453168	TANK HOSE - 16"
2	453161	PUMP PULLEY TAPER LOCK	43	453168	TANK HOSE - 16"
3	423178	15MM TAPER HUB	44	453489	TUBE, RH 36 FRONT HYD
4	100252	1/4-20 X 3/4 HHCS	45	453490	TUBE, RH 36 REAR HYD
5	453536	BELT, PUMP DRIVE	46	453487	TUBE, LH 36 FRONT HYDRO
6	453537	SPACER, CS SLIDE	47	453488	TUBE, LH 36 REAR HYD
7	453538	HANDLE, COLD START	48	452154	CLAW WLD, LH PARK BRAKE
8	109007	3/8-16 WHIZLOCK NUT	49	106334	1/4 X 1 ROLL PIN
9	109001	5/16-18 WHIZLOCK NUT	50	363155	OPC SPRING
10	B96-8	WASHER 8	51	423410	1/4" PAL NUT
11	453539	POST, COLD START LATCH	52	100252	1/4-20 X 3/4 HHCS
12	107529	5/16-18X1-1/2 C BOLT	53	105266	1/2 SAE FLAT WASHER
13	453467	PUMP, CW RTN PE	54	423284	BRAKE ARM BUSHING - PLTD
14	100293	3/8-16 X 1-1/4 HHCS	55	453460-1	BRACKET, PARK BRAKE - BLK
15	105260	3/8 STD FLAT WASHER	56	423402	CAM ROD RETAINER - PLTD
16	104257	3/8-16 HEX NYLOC NUT	57	452155	CLAW WLD, RH PARK BRAKE
17	104256	5/16-18 HEX NYLOC NUT	58	104255	1/4-20 HEX NYLOC NUT
18	105257	5/16 SAE FLAT WASHER	59	482065	SHAFT WLD, 36" PARK BRAKE
19	453468	BRACKET, PUMP LEVER	60	483123	COUPLER, BRAKE SHAFT
20	5205016	ROD END SIBJK8S	61	B70.1-510	CAP SCREW, 5 X 10 HEX
21	100274	5/16-18 X 1-1/4 HHTB	62	B1096B-640	KEY, 6 X 40 SQ
22	453459	ROD, SPRING CARTRIDGE	63	482064	SHAFT WLD, RH PARK BRAKE
23	B6183-8	NUT, FLANGED NYLOC M8	64	100340	1/2-13 X 6 1/2 HHCS
24	453472	SPACER, STOP NUT	65	100341	1/2-13 X 7 HHCS
25	453456	BUSHING, ROD GUIDE	66	104259	1/2-13 HEX NYLOC NUT
26	453455	BUSHING, SLEEVE GUIDE	67	453068	WHELMOTOR WB
27	453458	SLEEVE, STOP	68	453114	MOTOR ADPT.
28	453457	WASHER, SPRING STOP	69	104511	3/4-16 UNF REG HEX NUT
29	453454	BRACKET, CARTRIDGE	70	452148-2	DECK, REAR HYDRO - RED
30	453453	SPRING, SPEED CONTROL	71	452186	WLD, CLUTCH TORSION
31	453449	KNOB, 3/8-16 CLAMPING	72	B93-8	LOCKWASHER 8
32	453074	90 DEGREE ADAPTER	73	B5783-820	SCREW, HH TAP M8x20
33	453106	SWIVEL TEE	74	105259	3/8 SAE FLAT WASHER
34	453109	SWIVEL ELBOW	75	107524	5/16-18 X 1-1/4 C BOLT
35	453020	CROSS ADAPTER	76	453576	BUSHING, 6X8X4L FLG
36	453466	PUMP, CCW RTN PE	77	453571-1	STRUT, IDLER MOUNT - BLK
37	393004	PULLEY-CALIPER	78	453572-1	HANDLE, IDLER - BLK
38	453167	PUMP ADAPTER 90 L	79	363022	ADJ. LEVER GRIP
39	483019	RH IDLER WASHER	80	3202021	SPRING
40	453532	TUBE ASM, PUMP SUPPLY	81	452026	MOTOR EXTENSION
41	453533	TUBE ASM, PUMP RETURN	82	100342	1/2-13 X 7 1/2 HHCS

HANDLE ASM



ITEMS	PART NO.	DESCRIPTION	ITEMS	PART NO.	DESCRIPTION
1	363420	FUEL TANK MNT-PAINTED	19	104256	5/16-18 HEX NYLOC NUT
2	363368	GAS TANK BELT	20	105257	5/16 SAE FLAT WASHER
3	363201	FUEL TANK PAD	21	104255	1/4-20 HEX NYLOC NUT
4	107510	1/4-20 X 1 C BOLT	22	363410	FUEL TANK ASSY EPA/CARB
5	107502	1/4-20 X 3/4 C BOLT	23	B5783-58	SCREW, HH TAP M5 X 8
6	452120-1	WLD, ICT OIL TANK, PTD	24	107253	3/16 X 3/16 X 1/2 KEY
7	453375	CAP, OIL TANK ICT	25	105004	1/4 LOCKWASHER
8	423361	OIL FILTER	26	105256	WASHER, FLAT USS 1/4
9	100271	5/16-18 X 3/4 HHCS	27	363098	CLAMP, FUEL LINE
10	107526	3/8-16 X 1 C BOLT	28	363416	LABEL, EPA-WB
11	452147-1	MOUNT, OIL TANK - BLK	29	363423	SM CARBON CANISTER
12	452144	SHAFT WLD, PUMP CONTROL	30	363426	CARBON CANISTER MT
13	B882B-645	PIN, 6 X 45 CLEVIS	31	603032	FUEL LINE-16&18 BRIGGS
14	SZ56-1-1	HAIRPIN COTTER	32	B5783-616	SCREW, HH TAP M6X16
15	363292	FLANGED BEARING	33	2836001	TENSION SPRING
16	452163	LEVER WLD, CONTROL SHAFT	34	453589	WIRE
17	363184	LOWER HANDLE	35	100292	3/8-16 X 1 HHCS
18	104257	3/8-16 HEX NYLOC NUT	36	104257	3/8-16 HEX NYLOCNUT

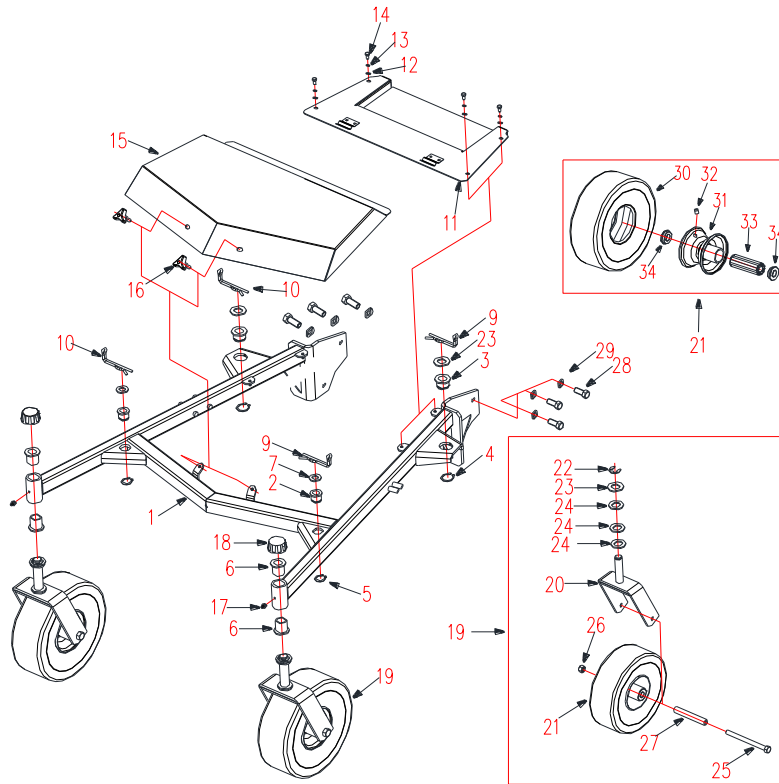


HANDLE ASM



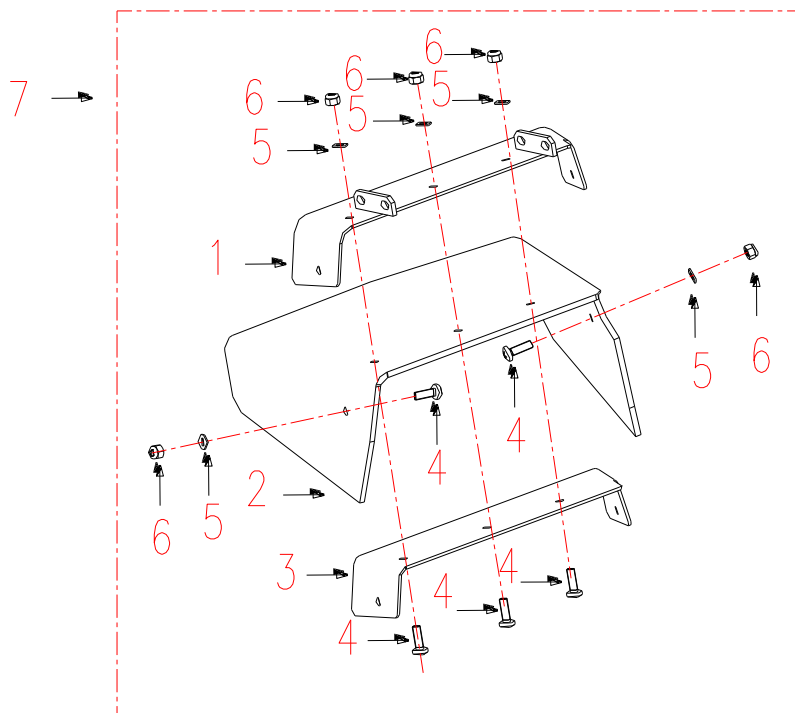
ORDER	CODE	NAME	ORDER	CODE	NAME
1	453531	CABLE, THROTTLE	38	5205017	ROD END SILBJK8S (LH)
2	B6182-5	NUT, NYLOC M5	39	B6171-8L	NUT M8 (LH)
3	B823-514	SCREW, PAN HD M5X14	40	454118	ROD ASM, DRIVE CONTROL
4	523031	PTO SWITCH	41	B6171-8	NUT M8
5	453417	METER, MS HOUR	42	5205016	ROD END SIBJK8S
6	603060	RUN/STOP SWITCH	43	453581	LEVER, OPC PALM
7	523037	CHOKE CABLE	44	453520	PIN, OPC LEVER PIVOT
8	104754	3/8-24HEX JAM NUT	45	106342	5/16 X 1-1/4 ROLL PIN
9	452166	PANEL, SPEED CONTROL	46	104255	1/4-20 HEX NYLOC NUT
10	452168	LEVER, SPEED CONTROL	47	100252	1/4-20 X 3/4 HHCS
11	4141.13-124	KNOB, M12 MACHINE	48	105256	1/4 STD FLAT WASHER
12	B6172-12	NUT, JAM M12	49	363372	SAFETY MODULE - WB
13	453506	ROLLER, SPEED CONTROL	50	452170-1	HANDLE, PARK BRAKE - BLK
14	B5787-612	SCREW, FLANGED HH M6 X 12	51	452185-2	COVER, PARK BRAKE - RED
15	2808005	BLADE SWITCH	52	453509-2	PANEL, BRAKE MOUNT - RED
16	5208103	NUT RACK	53	523034	PARK SWITCH
17	623215	GROMMET	54	5208103	NUT RACK
18	453508	SPRING, SPEED CONTROL	55	100278	5/16-18 X 2-1/4 HHCS
19	453475	BUSHING, SPEED LEVER	56	453404	SPACER, LEVER MOUNT
20	452169-1	HANDLE, CONSOLE	57	453471	ROD, BRAKE CONNECTING
21	109001	5/16-18 WHIZLOCK NUT	58	3603012	PIN
22	104257	3/8-16 HEX NYLOC NUT	59	B6182-8	NUT, NYLOC M8
23	104256	5/16-18 HEX NYLOC	60	363165	#3 HAIRPIN COTTER
24	100296	3/8-16 X 2 HHCS	61	100273	5/16-18X1 HHCS
25	105257	5/16 SAE FLAT WASHER	62	453584	SPRING, BRAKE DETENT
26	100271	5/16-18 X 3/4 HHCS	63	453577	LEVER, BRAKE DETENT
27	322020	LOCK WMT, LH HYDRO	64	453585	SPRING, OPC PALM LEVER
28	B879-530	SPRING PIN 5X30	65	453579	HOUSING, OPC SWITCH
29	3206010	TORSION SPRING, LEFT	66	453588	MODULE, OPC SWITCH
30	B879-38	PIN, 3 X 8 ROLL	67	B6172-8	NUT, JAM M8
31	3206033	BUSHING	68	B6172-8L	NUT, JAM M8L
32	454117	LEVER, TRACTION SPEED	69	453575	ROD, SPEED CONTROL
33	363072	TRACTION LEVER PIN	70	2836005	TURNBUCKLE, M8X1.25
34	363219	3/16 PALNUT	71	453590	BEARING, M8L ROD-END
35	106340	5/16 X 1 ROLL PIN	72	SIBJK8T	ROD END BEARING
36	3206011	TORSION SPRING, RT	73	B6712-8	NUT, JAM M8
37	100013	5/16-18X1-3/4 T BOLT			

FRAME, GRP, FLOAT DECK



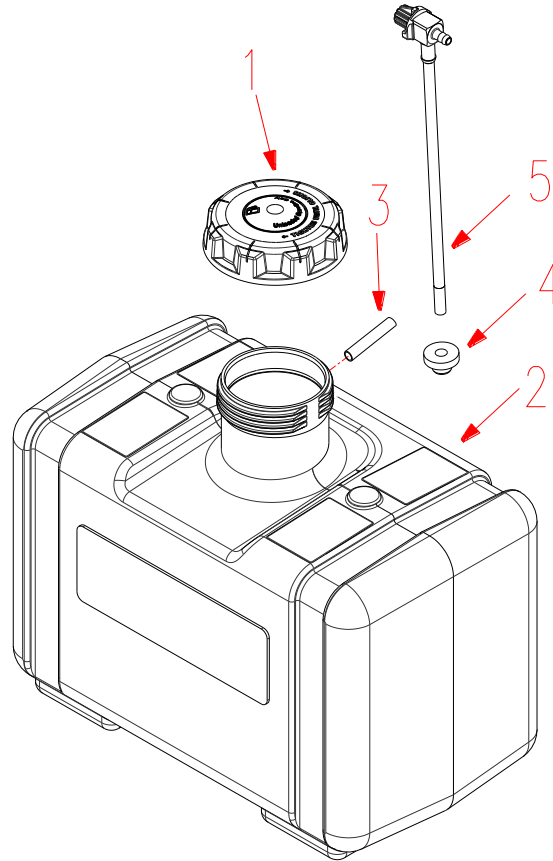
ITEMS	PART NO.	DESCRIPTION	ITEMS	PART NO.	DESCRIPTION
1	452179	FRAME ASM, FLOAT DECK	18	3200011	COVER
2	3601015	FRONT BUSHING	19	454134	ASM, FRONT WHEEL
3	3601016	REAR BUSHING	20	452183-2	YOKE STRUT - RED
4	B894. 2-30	SNAP RING 30	21	363311	10" CASTER WHEEL
5	B894. 2-25	SNAP RING 25	22	B896-15	SNAP RING 15
6	363007	FLANGE BEARING	23	5002363	WASHER
7	B97. 1-16	WASHER 12	24	5202011	WASHER
			25	100339	1/2-13 X 6 HHCS
9	4800007	PIN, DECK LH	26	104259	1/2-13 HEX NYLOC NUT
10	4800008	PIN, DECK RH	27	363307	AXLE TUBE
11	452181	PANEL, FLT FRAME REAR	28	100309	7/16-14X1 HHCS
12	B97. 1-6	WASHER 6	29	105007	7/16 LOCKWASHER
13	GB93-6	WASHER 6	30	363311-TIRE	TIRE
14	B5783-612	SCREW, HH TAP M6X12	31	363311-RIM	WHEEL HUB
15	362110	COVER, 36" DECK - RED	32	363311-ZEAK	GREASE CUP
16	3302190	KNOB, 3-PRONGED W/STUD	33	423200	WHEEL HUB BEARING
17	111001	1/8 NPT STRAIGHT ZERK	34	423201	BEARING RETAINER

36" DISCHARGE CHUTE COVER ASSY

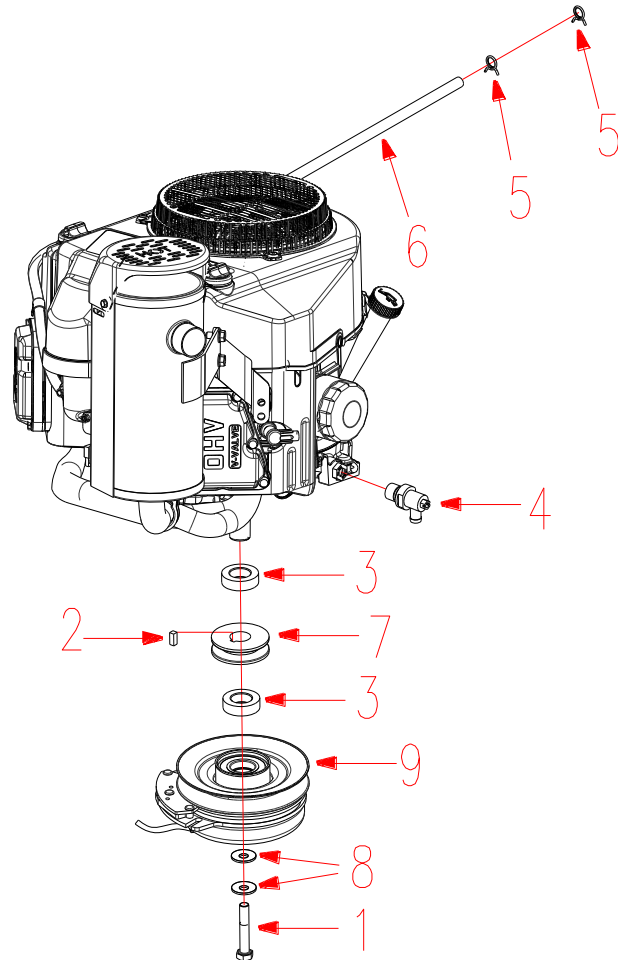


ITEMS	PART NO.	DESCRIPTION
1	3602520A	FIXED BRACKET
2	3602505A	DISCHARGE CHUTE
3	3602506A	DISCHARGE CHUTE BRACKET
4	B818-825	SCREW, M8X25 PHILLIPS PAN
5	B97.1-8	WASHER 8
6	B6182-8	NUT, NYLOC M8
7	3602500B	DISCHARGE CHUTE COVER ASM

FIVE GALLON EPA FUEL TANK ASSY

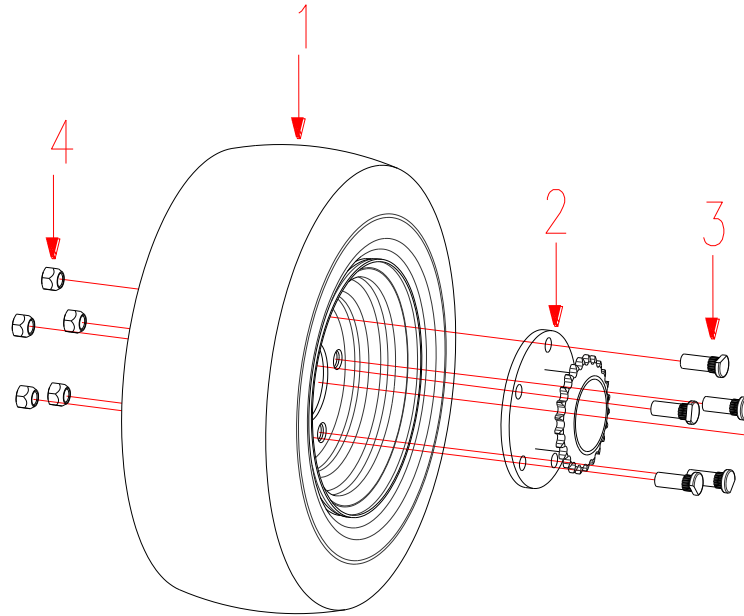


ITEM	PART NO.	DESCRIPTION
1	5204019	Fuel Tank Cap
2	363410	Fuel Tank, ASM.
3	4805004	VENT VALUE
4	533125	GROMMET
5	363418	FUEL VALUE

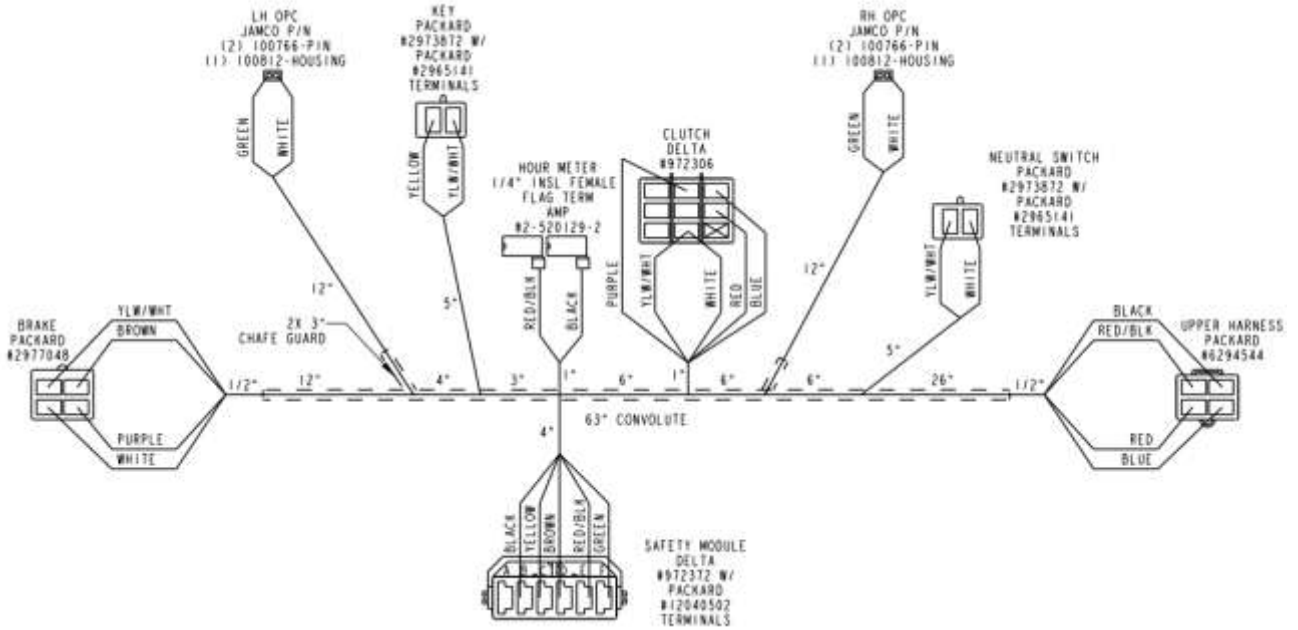


ITEMS	PART NO.	DESCRIPTION
1	100535	7/16-20 X 2-1/2 HHCS
2	107257	1/4 X 1/4 X 5/8 MACH KEY
3	583110	PULLEY SPACER
4	343146	90 DEGREE DRAIN
5	363098	CLAMP, FUEL LINE 1/4 ID
6	363099	LONG FUEL LINE
7	453071	PUMP DRIVE PULLEY
8	423069	SPRING DISC. - 7/16
9	453478	CLUTCH, ELECTRIC BRAKE

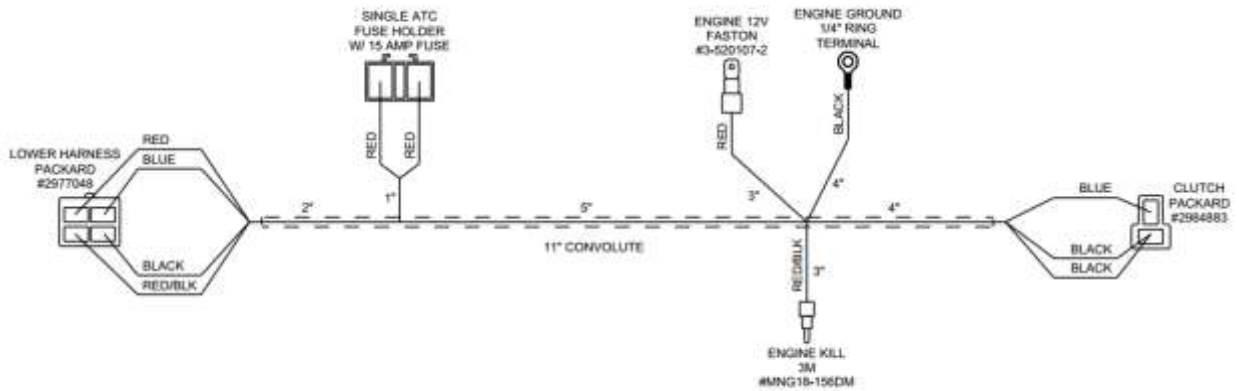
GRP, WHEEL AND HUB



ITEMS	PART NO.	DESCRIPTION
1	453065	WHEEL & TIRE
2	452158	HUB ASM, 5-BOLT W/STUDS
3	103031-1	1/2-20X1-3/8 WHEEL STUD
4	103023	1/2-20 X 60 T LUG NUT



1

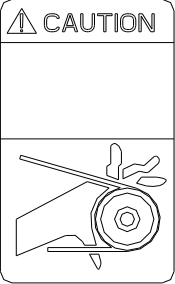

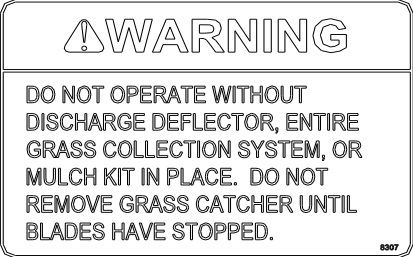

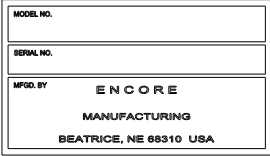






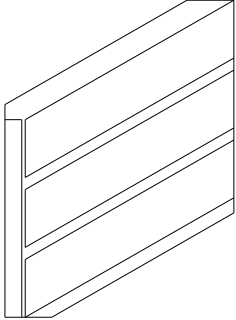
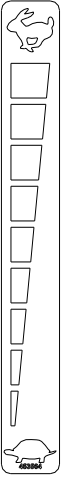
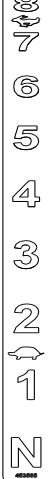
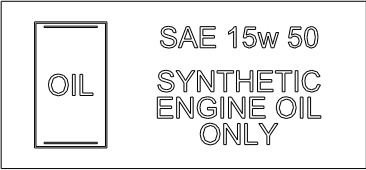

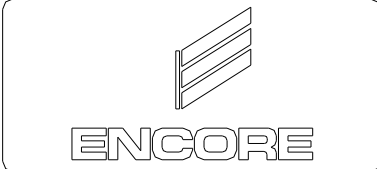
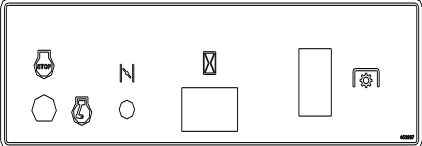


2

ITEMS	PART NO.	DESCRIPTION
1	323050	HARNESS, H-DRIVE
2	323051	HARNESS, ENGINE WIRE

DECAL



 <p>1</p>	 <p>2</p>	 <p>3</p>	
 <p>4</p>	 <p>5</p>	 <p>6</p>	
 <p>7</p>	 <p>10</p>		
 <p>8</p>	 <p>9</p>		
 <p>18</p>		 <p>11</p>	
 <p>12</p>	 <p>13</p>	 <p>14</p>	 <p>16</p>
 <p>15</p>		 <p>17</p>	

ITEMS	PART NO.	DESCRIPTION	ITEMS	PART NO.	DESCRIPTION
1	8008	DECAL, CAUTION, GUARDING LG	10	453570	DECAL, 10" ENCORE LOGO
2	363038	CAUTION INST. LABEL	11	363362	ENCORE LOGO
3	8307	DECAL, DISCHARGE WARNING	12	453564	DECAL, THROTTLE
4	363023	DANGER DECAL, HANDS AND FEET	13	453565	DECAL,GROUND SPEED
5	363026	SERIAL NO. PLATE	14	423354	OIL DECAL - SYN.
6	8303	DECAL, CAUTION, GUARDING SM	15	453563	DECAL, EN HANDLE
7	363243	SMALL "ENCORE" LABEL	16	363416	EPA LABEL - WB
8	453568	DECAL,PARK	17	453567	DECAL, CONTROL CONSOLE
9	363356	HYDRO PRO 36	18	483075	HYDRO PRO-48 DECAL

