

RAGE

PARTS MANUAL

**ER48FX730VL
ER48FX730VLCA
ER52FX730VL
ER52FX730VLCA**



ENCORE MANUFACTURING
A DIVISION OF WORL DLAWN POWER EQUIPMENT, INC.

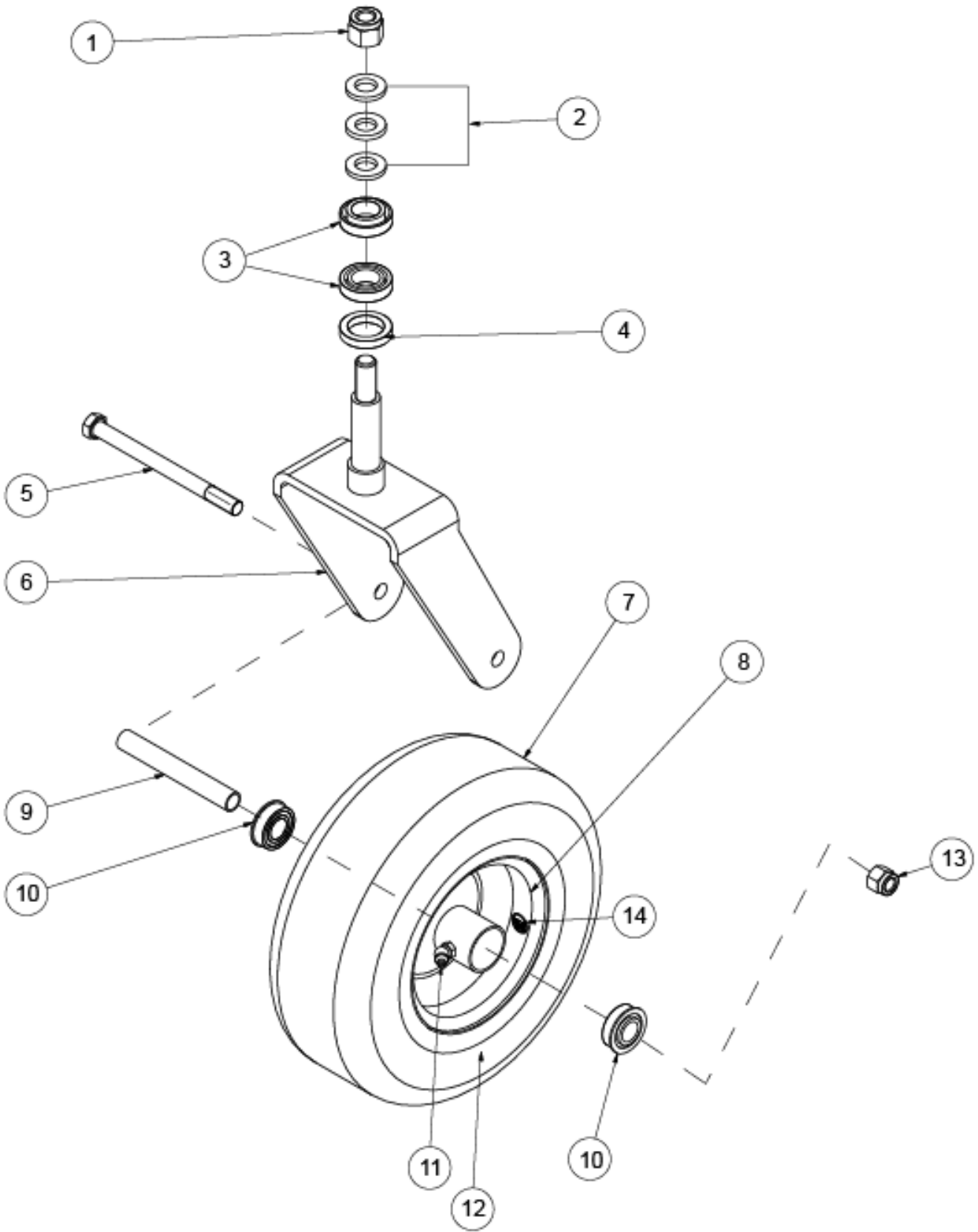
ENCOREEQUIPMENT.COM

2415 ASHLAND AVE
BEATRICE, NE 68310
800-267-4255
FAX – 402-223-4103

Contents

48" CASTER ASSEMBLY	6
52" CASTER ASSEMBLY	8
CONTROL ASSEMBLY LH	12
CONTROL ASSEMBLY RH	14
UPPER HANDLE ASSEMBLY	16
UPPER FRAME GROUP	18
BRAKE ROD ASSEMBLY	21
ENGINE DECK	22
FUEL TANK ASSEMBLY	25
CARBON CANISTER ASSEMBLY	26
48" DECK ASSEMBLY	27
48" LOWER DECK IDLER ASSEMBLY	30
52" DECK ASSEMBLY	32
52" LOWER DECK IDLER ASSEMBLY	35
UPPER DECK IDLER ASSEMBLY	37
BLADE SPINDLE ASSEMBLY	39
DECK LIFT ASSEMBLY	40
SULKY ASSEMBLY	43
ENGINE GROUP	45
HYDRO GROUP	47
WIRE HARNESS	50
DECALS	51

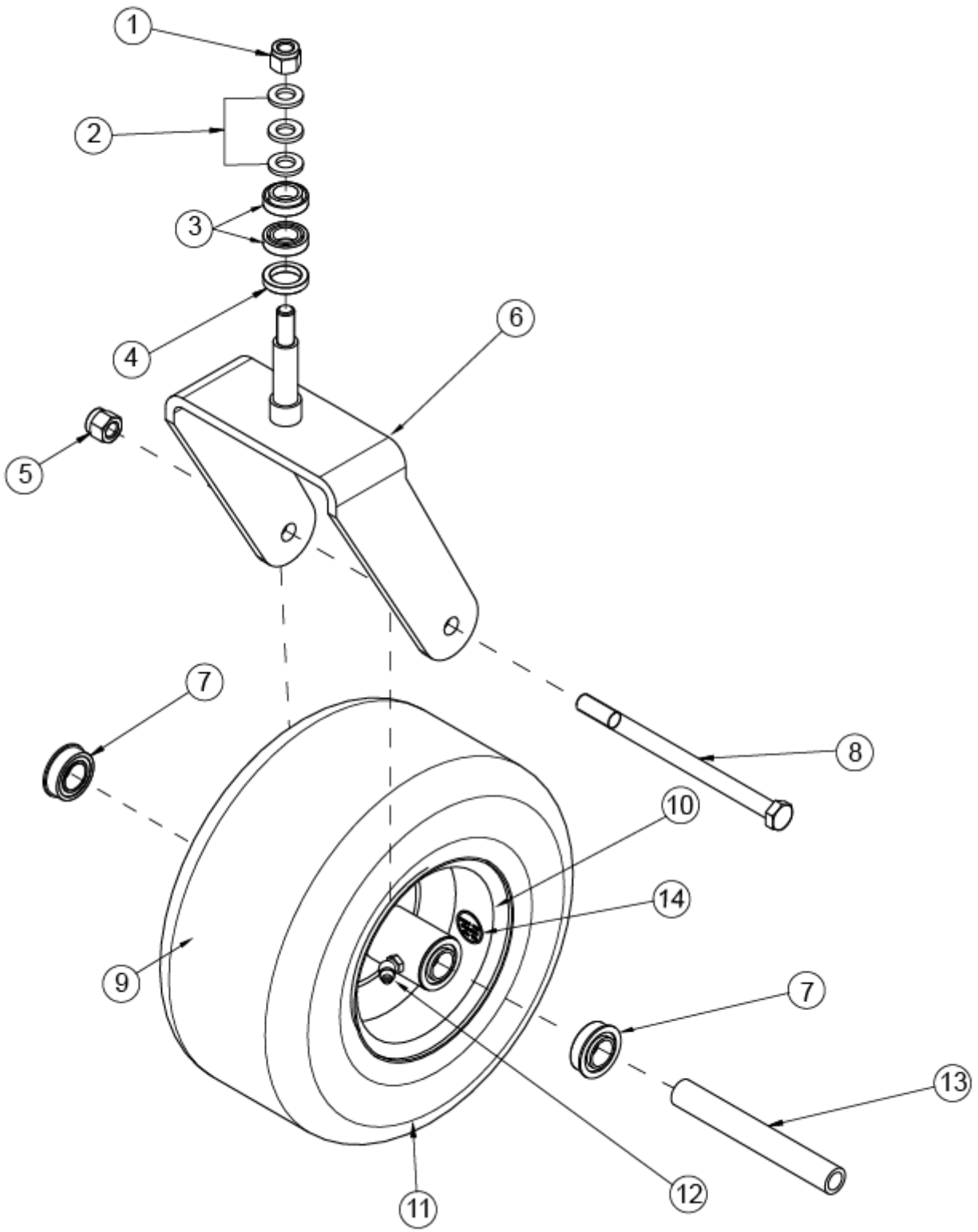
48" CASTER ASSEMBLY



48" CASTER ASSEMBLY

ITEM	PART NO.	DESCRIPTION
1	B6182-16	NYLOC NUT M16
2	5002091	WASHER, SPRING 16
3	B297-32922	BEARING 329/22
4	B9877.1-28407	GREASE SEAL 28X40X7
5	B5782-12150	BOLT M12X150
6	5002095	CASTER WHEEL YOKE
7	5002100	FRONT WHEEL
8	5002102	RIM 5X3
9	5002092	CASTER WHEEL BUSHING
10	5002103	BEARING
11	B1153-6	GREASE FITTING M6
12	5002101	TIRE 11X4
13	B6182-12	NUT, NYLOC M12
14	453389	DECAL, FRONT TIRE PRESSURE

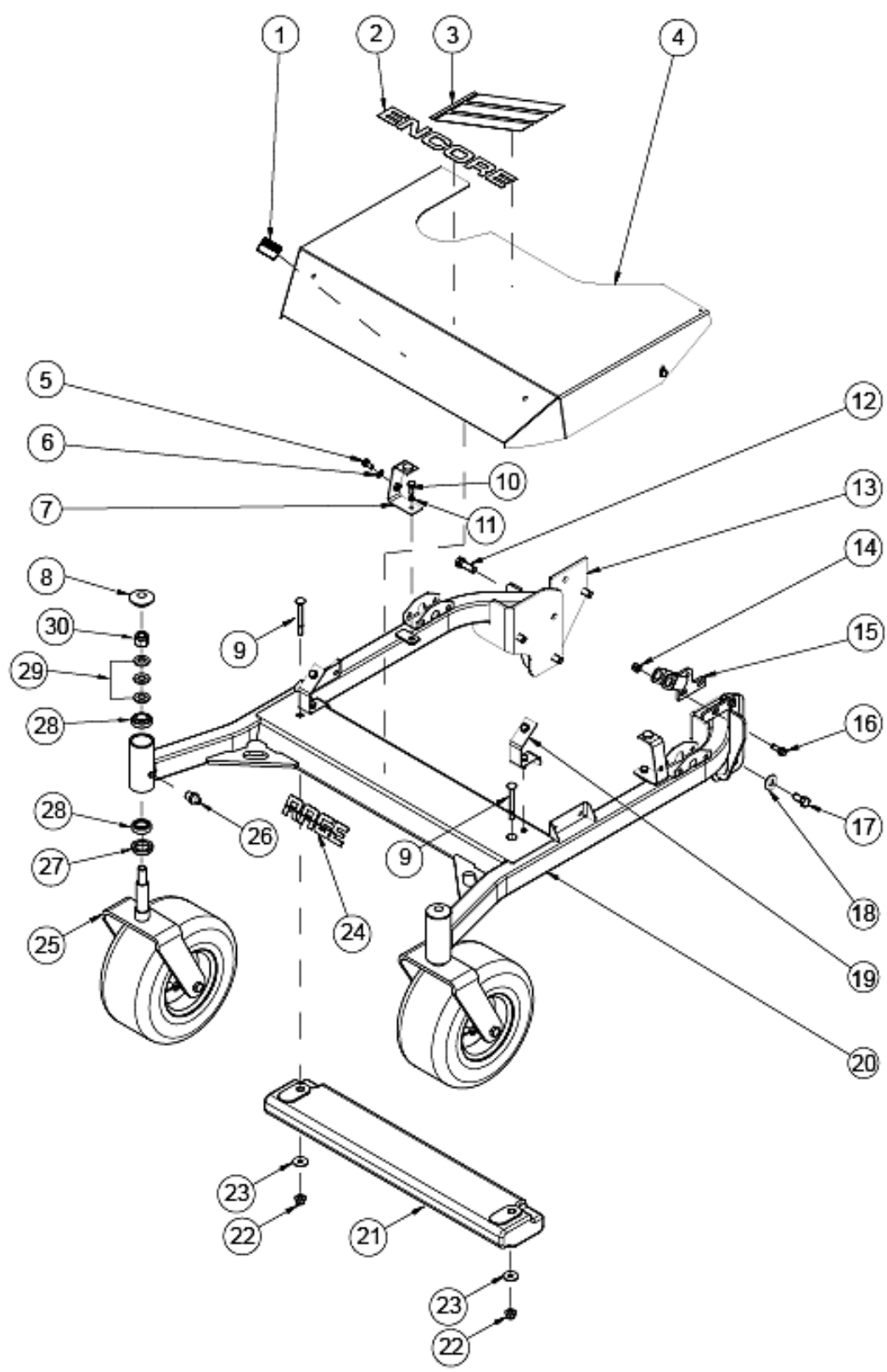
52" CASTER ASSEMBLY



52" CASTER ASSEMBLY

ITEM	PART NO.	DESCRIPTION
1	B6182-16	NYLOC NUT M16
2	5002091	WASHER, SPRING 16
3	B297-32922	BEARING 329/22
4	B9877.1-28407	GREASE SEAL 28X40X7
5	B6182-12	NUT, NYLOC M12
6	462062-2	WLD, CASTER FORK
7	533086	3/4" LUTCO ANGULAR BEARING
8	B5782-12180	SCREW, HH M12 X 180
9	462064	ASM, WHEEL COMPLETE
10	463109	WHEEL 52" FRONT CASTER
11	463110	TIRE, 11.00 X 6.00-5 4 PLY SMOOTH
12	B1153-6	GREASE FITTING M6
13	463107	TUBE, AXLE
14	453389	DECAL, FRONT TIRE PRESSURE

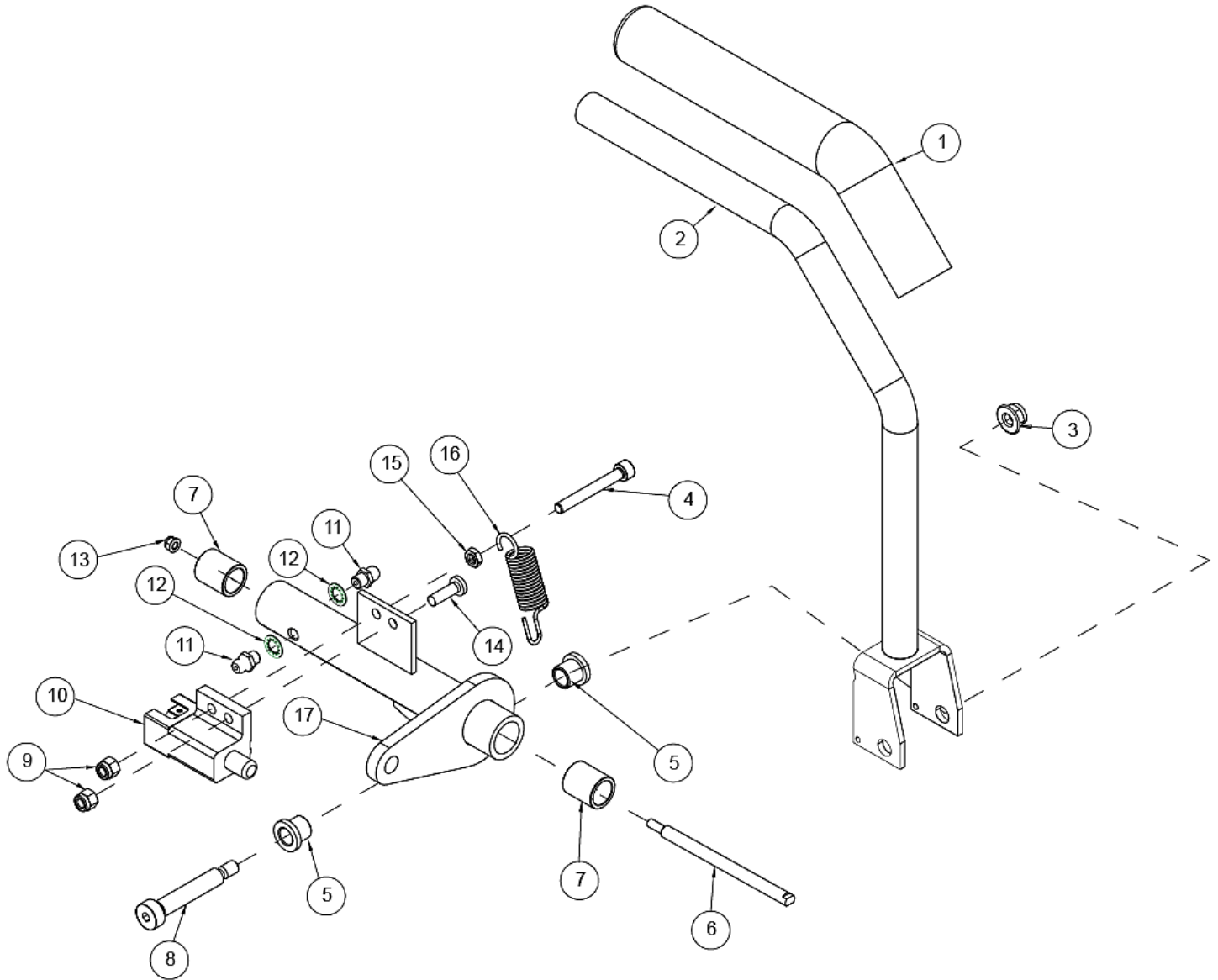
FRONT FRAME



FRONT FRAME

ITEM	PART NO.	DESCRIPTION
1	8303	DECAL, CAUTION, GUARDING SM
2	543471	DECAL, ENCORE 21"
3	363232	ENCORE LOGO
4	462052-2	WLD, ENCORE FRAME COVER
5	B5783-816	SCREW, HH TAP M8X16
6	B97.1-8	WASHER 8
7	462084	ASM, COVER MT REAR
8	5002020	CAP, DUST
9	B801-1080	CARRIAGE BOLT M10X80
10	B5783-820	SCREW, HH TAP M8X20
11	B93-8	LOCKWASHER M8
12	B5783-1235	SCREW, HH TAP M12X35
13	453550-2	PLATE, LEVER PIVOT
14	B6183-8	NUT, FLANGED NYLOC M8
15	462067	WLD, SPRING YOKE
16	B5787-825	SCREW, HH FLANGE M8X25
17	B5783-1225	SCREW, HH TAP M12 X 25
18	105502	WASHER, SPRING DISC 1/2
19	462051	WLD, COVER MT FRONT
20	462061	ASM, FRONT FRAME
21	453347	COUNTERWEIGHT
22	B6187-10	FLANGED TOPLOCK M10
23	B96-10	WASHER, FLAT LARGE M10
24	453369	DECAL, RAGE
25	464030	52" CASTER ASSEMBLY
	5002090	48" CASTER ASSEMBLY
26	B1152-8	GREASE FITTING 8MM
27	B9877.1-28407	GREASE SEAL 28X40X7
28	B297-32922	BEARING 329/22
29	5002091	WASHER, SPRING 16
30	B6182-16	NYLOC NUT M16

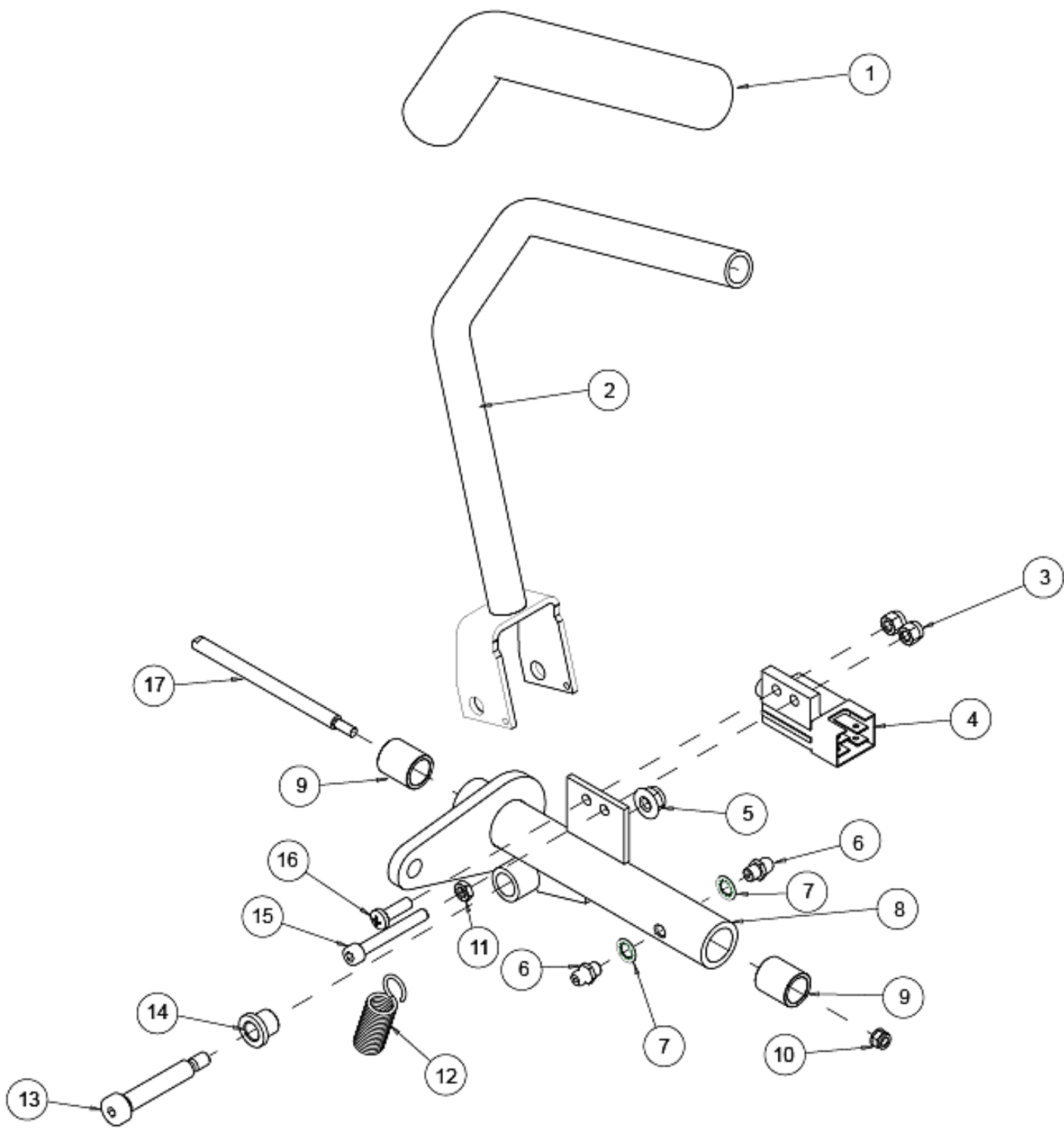
CONTROL ASSEMBLY LH



CONTROL ASSEMBLY LH

ITEM	PART NO.	DESCRIPTION
1	453238	GRIP
2	452081	HANDLE W/GRIP
3	B6187-6	FLANGED TOPLOCK M6
4	B70-540	SCREW M5X40
5	2806010	NYLON BUSHING
6	453237	PIN, CONTROL PIVOT
7	B2685-121618	OILITE BRONZE BEARING 12X16X18
8	B5281-840	SHOULDER BOLT
9	B6182-5	NUT, NYLOC M5
10	523034	PARK SWITCH
11	B1152-6	GREASE FITTING M6
12	B861.1-6	INT. TOOTH LOCKWASHER 6
13	B6187-8	FLANGED TOPLOCK M8
14	B823-516	SCREW M5 X 16
15	B6172-5	NUT, JAM M5
16	363155	OPC SPRING
17	452080	WLD, CONTROL W/ZERK, LH

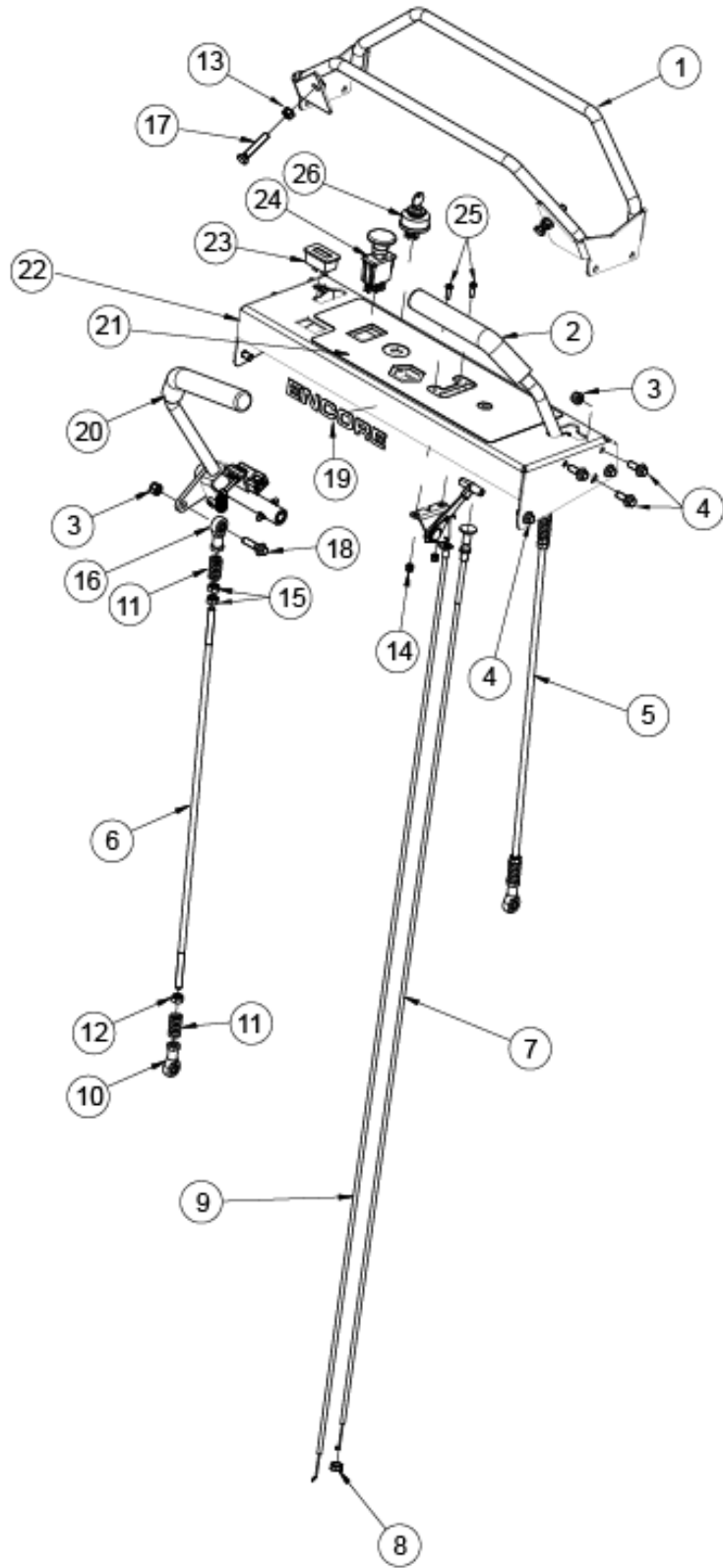
CONTROL ASSEMBLY RH



CONTROL ASSEMBLY R.H.

ITEM	PART NO.	DESCRIPTION
1	453238	GRIP
2	452081	HANDLE W/GRIP
3	B6182-5	NUT, NYLOC M5
4	523034	PARK SWITCH
5	B6187-6	FLANGED TOPLOCK M6
6	B1152-6	GREASE FITTING M6
7	B861.1-6	INT TOOTH LOCKWASHER 6
8	452079	WLD, CONTROL W/ZERK, RH
9	B2685-121618	OILITE BRONZE BEARING 12 X 16 X 18
10	B6187-8	FLANGED TOPLOCK M8
11	B6172-5	NUT, JAM M5
12	363155	OPC SPRING
13	B5281-840	SHOULDER BOLT
14	2806010	NYLON BUSHING
15	B70-540	SCREW M5 X 40
16	B823-516	SCREW M5 X 16
17	453237	PIN, CONTROL PIVOT

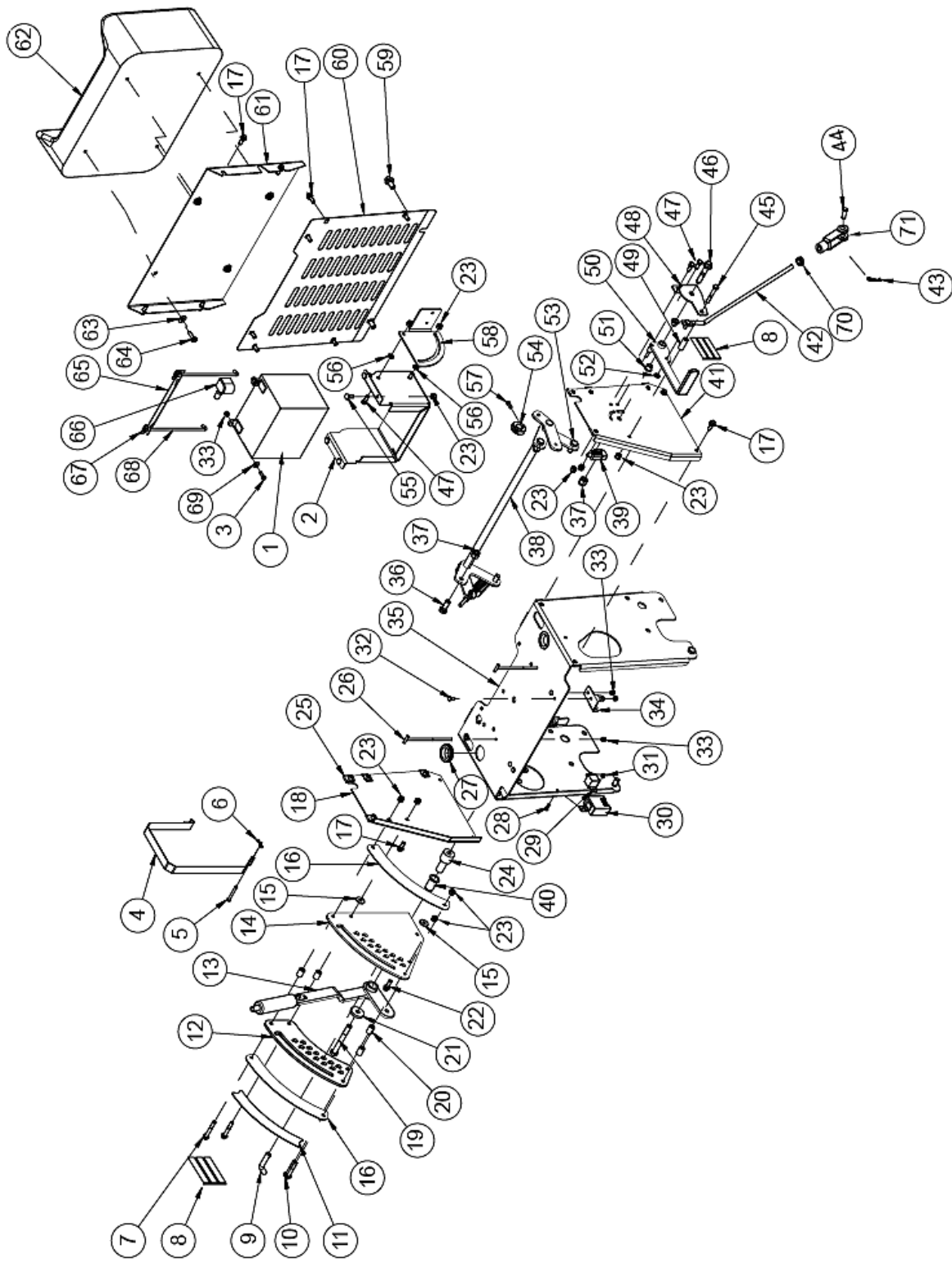
UPPER HANDLE ASSEMBLY



UPPER HANDLE ASSEMBLY

ITEM	PART NO.	DESCRIPTION
1	452115-2	REFERENCE BAR WLD – RED
2	452083	ASM, CONTROL LH
3	B6182-8	NUT, NYLOC M8
4	B5787-816	SCREW, HH FLANGE M8 X 16
5	452075	ASM, CONTROL ROD
6	453229	ROD, CONTROL
7	423153	WHEEL MOTOR
8	109008	3/8-24 WHIZLOCK NUT
9	363352	THROTTLE CONTROL – CONSOLE
10	5205017	ROD END, SPHERICAL M8 LH SILBJK8S
11	5205003	SPRING, COMPRESSION
12	B6171-8L	NUT, M8 X 1 (LH)
13	B6177-8	NUT M8
14	B6182-5	NUT, NYLOC M5
15	B6171-8	NUT M8
16	5205016	ROD END, SPHERICAL M8 RH SIBJK8S
17	B5783-845	BOLT M8 X 45
18	B5787-840	SCREW, HH FLANGE M8 X 40
19	363243	SMALL ENCORE LABEL
20	452082	ASM, CONTROL RH
21	463103	CONSOLE DECAL
22	462081	ASM, CONSOLE
23	453417	HOURMETER, MAG SENSING
24	523031	PTO SWITCH
25	B823-516	SCREW M5 X 16
26	423027	IGNITION SWITCH
NOT SHOWN	423413	KEY, COVERED IGNITION
NOT SHOWN	423414	NUT, 5/8-32 NYLON
NOT SHOWN	423415	WASHER, INTERNAL TOOTH LOCK
NOT SHOWN	423416	BEZEL, 5/8 NUT

UPPER FRAME GROUP



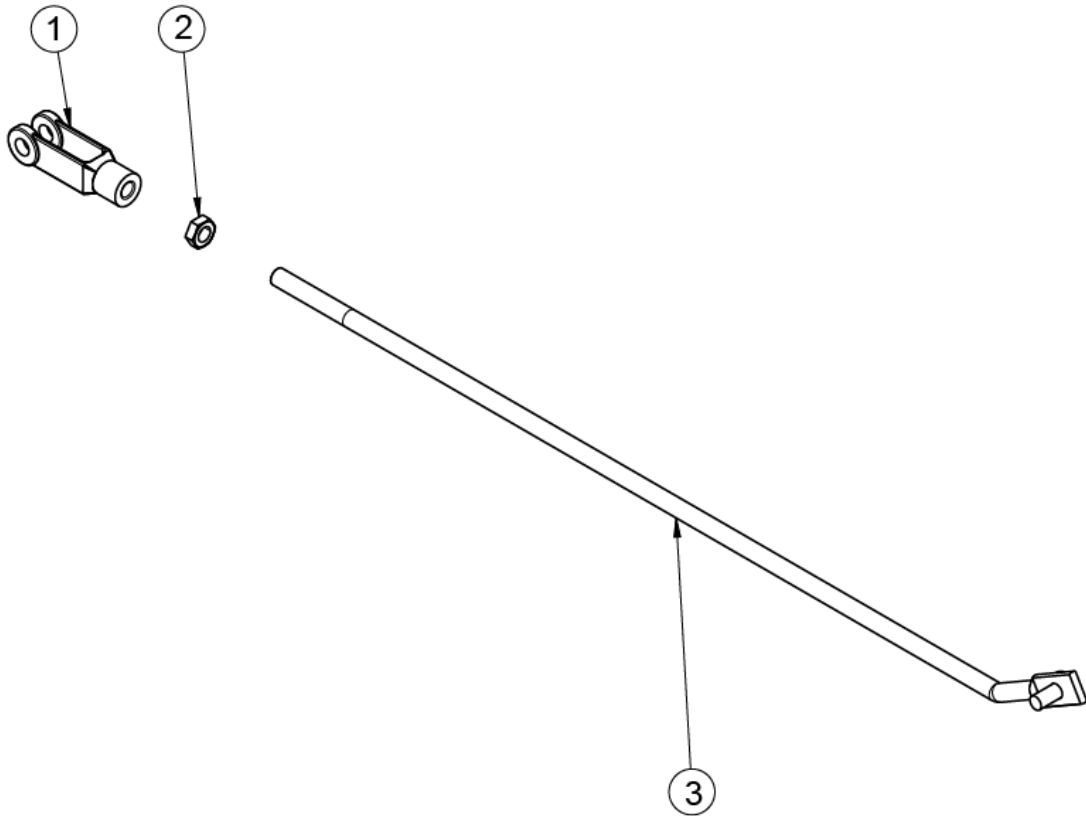
UPPER FRAME GROUP

ITEM	PART NO.	DESCRIPTION
1	FOR REFERENCE ONLY	BATTERY 12V
2	453272-1	BATTERY TRAY, PTD
3	B5783-620	SCREW, HH TAP M6x20
4	4805010	FUEL TANK MOUNTING STRAP ASM
5	4805003	AXIS PIN
6	XSZ56-1-17	HAIR PIN
7	B5787-855	SCREW, HH FLANGED M8 X 55
8	363265	SMALL ENCORE LOGO
9	543207	PIN, HOC
10	B5787-850	HEX FLANGE HD BOLT M8X50
11	463448	DECAL, HEIGHT ADJUST
12	463228-2	PLATE, OUTER HEIGHT ADJUST – RED
13	464024	GRP, HEIGHT ADJUST ARM
14	463227-2	PLATE, HEIGHT ADJUST – RED
15	B96-8	WASHER 8
16	463229-2	STRAP, HEIGHT ADJUST – RED
17	B5787-820	SCREW, HH FLANGE M8 X 20
18	463045-2	SIDE, UPPER HANDLE, RH
19	B5782-12100	SCREW, HH M12 X 100
20	5202022	BUSHING
21	423068	CLUTCH WASHER
22	B5787-825	SCREW, HH FLANGE M8 X 25
23	B6182-8	NUT, NYLOC M8
24	463332	PIVOT, LIFT LEVER
25	109045	CLIP, NUT
26	452131	WLD, T-BOLT
27	453382	GROMMET, RUBBER 1-5/16" I.D.
28	B823-516	SCREW, M5 X 16
29	583351	ELECTRIC LIFT RELAY
30	453416	MODULE, SAFETY
31	B6182-5	NUT, NYLOC M5
32	B801-616	BOLT, CARRIAGE SN M6 X 16
33	B6182-6	NUT, NYLOC M6
34	453388-2	BRACKET, TANK BAND – RED
35	463072-2	FRAME, LOWER HANDLE
36	B5783-1230	BOLT, M12 X 30
37	B6182-12	NUT, NYLOC M12
38	462083	WLD, BRAKE SHAFT
39	463337	SWITCH, PARK LEVER
40	523111	3/4 FLANGE BUSHING
41	463046-2	SIDE, UPPER HANDLE, LH
42	464045	GRP, BRAKE ROD
43	363165	#3 ISSCO HAIRPIN COTTER
44	363196	LARGE CLEVIS PIN
45	B5782-855	HEX HD BOLT M8 X 55
46	B5787-1260	SCREW, HH FLANGE M12 X 60

UPPER FRAME GROUP

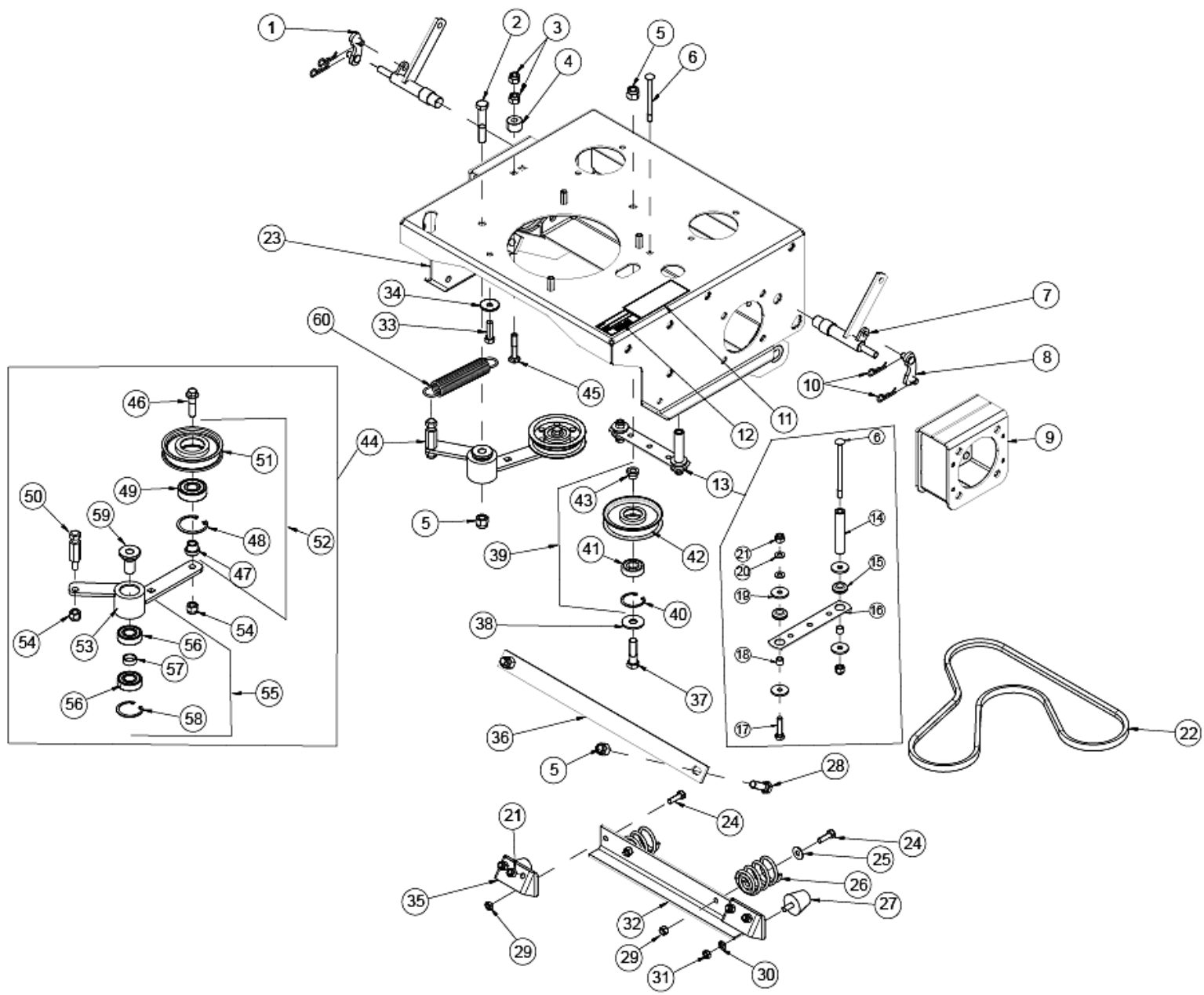
ITEM	PART NO.	DESCRIPTION
47	B5783-820	SCREW, HH TAP M8 X 20
48	463077-2	MT. PARK BRAKE LEVER
49	453404	SPACER, LEVER MOUNT
50	462055	ASM, PARK LEVER W/GRIP
51	543154	BUSHING, MOTION CONTROL
52	153045	5/16 PUSH NUT
53	B5783-1225	SCREW, HH TAP M12 X 25
54	523138	3/4" CLAMP COLLAR
55	B801-820	BOLT, CARRIAGE SN M8 X 20
56	B97.1-8	WASHER 8
57	B70-612	SCREW M6 X 12
58	463070	MT, OIL FILTER
59	B5787-1225	SCREW, HH FLANGE M12 X 25
60	453274-1	COVER
61	453276-1	COVER, UPPER, PTD
62	453380	CUSHION, ENCORE
63	105258	5/16 STD FLAT WASHER
64	100273	5/16-18 X 1 HHCS
65	453419-1	BATTERY HOLD DOWN – BLACK
66	343134	BATTERY BOOT
67	109012	1/4 WING NUT
68	423172	BATTERY HOLD DOWN ROD – PLATED
69	B96-6	WASHER, FLAT LARGE M6
70	104754	3/8-24 HEX JAM NUT
71	363192	LARGE YOKE

BRAKE ROD ASSEMBLY



ITEM	PART NO	DESCRIPTION
1	363192	LARGE YOKE
2	104754	3/8-24 HEX JAM NUT
3	462068	BRAKE ROD WLD

ENGINE DECK



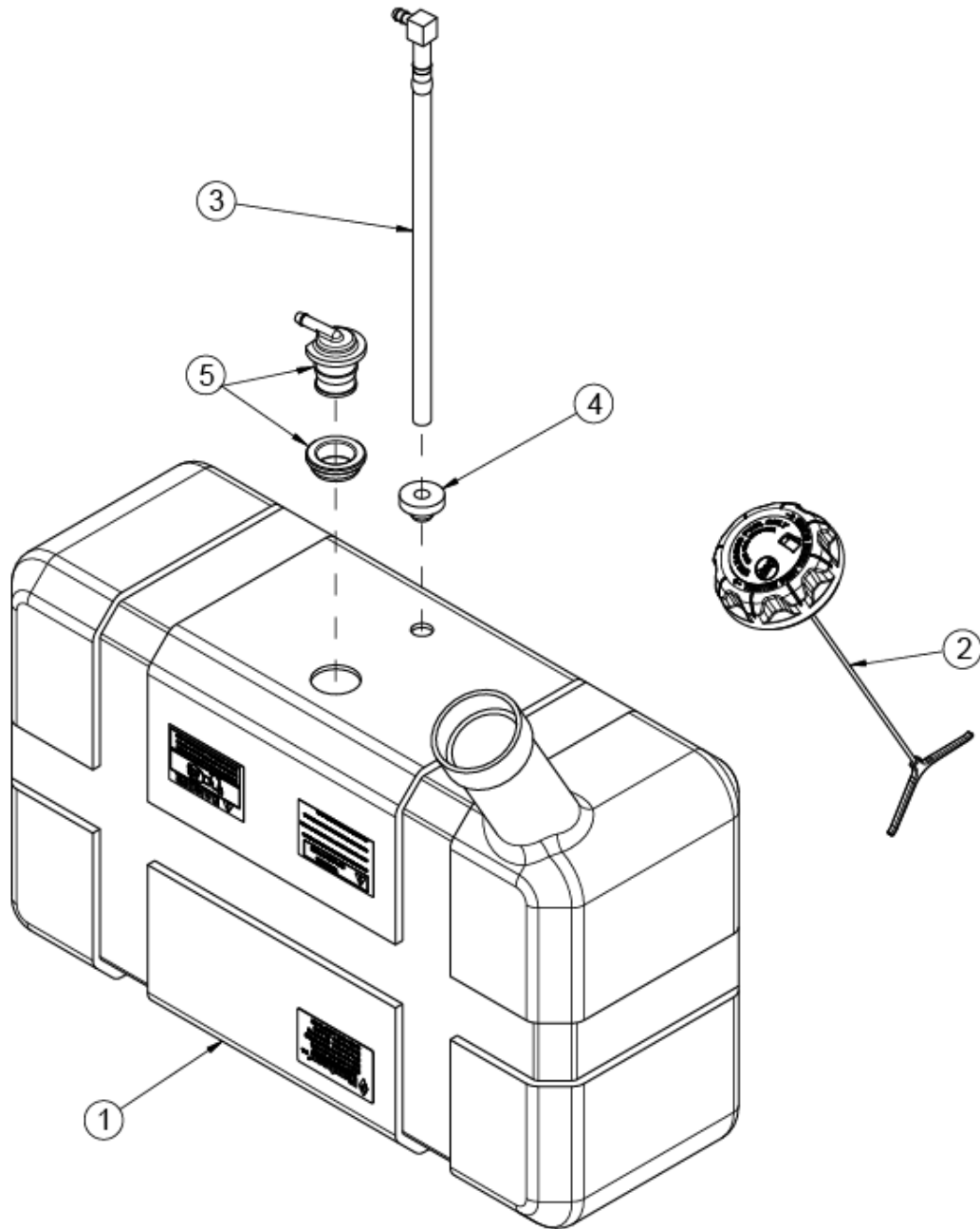
ENGINE DECK

ITEM	PART NO.	DESCRIPTION
1	462102	WLD, RH CAM LINK
2	B5782-1270	SCREW, HH M12 X 70
3	B6182-10	NUT, NYLOC M10
4	823309	FRAME SPACER – PLT
5	B6182-12	NUT, NYLOC M12
6	B801-8110	BOLT, CARRIAGE SN M8 X 110
7	462101	WLD, BRAKE CAM
8	462100	WLD, LH CAM LINK
9	452026	MOTOR EXTENSION
10	363165	#3 ISSCO HAIRPIN COTTER
11	FOR REFERENCE ONLY	EPA LABEL – WB / CARB EVAP LABEL (CA UNITS)
12	FOR REFERENCE ONLY	DECAL, SERIAL PLATE WL
13	462099	ASM, SO CLUTCH STOP
14	463121	TUBE, SO CLUTCH STOP
15	5203410	RUBBER RING 17
16	5203411	CLUTCH STOP STRAP
17	B5783-835	BOLT, M8 X 35
18	5203409	SPACER / BUSHING
19	5203408	WASHER
20	B97.1-8	WASHER 8
21	B6182-8	NUT, NYLOC M8
22	453311	BELT, PUMP
23	462041-2	WLD, ENGINE BASE
24	100273	5/16-18 X 1 HHCS
25	105258	5/16 STD FLAT WASHER
26	523278	SEAT SPRING
27	623239	BUMPER
28	B5783-1235	SCREW, HH TAP M12x35
29	104256	5/16-18 HEX NYLOC NUT
30	105005	5/16 LOCKWASHER – HEAVY
31	104752	5/16-24 HEX JAM NUT
32	462104	ASM, FOOT SUSPENSION BRACKET
33	B5783-820	SCREW, HH TAP M8 X 20
34	753027	SPRING DISC WASHER
35	452117-2	WLD, BUMPER MOUNT, PTD
36	463226	STRAP, MOTOR MT
37	B5782-1245	SCREW, HH M12 X 45
38	B96-12	WASHER, FLAT LARGE M12
39	462108	ASM, PUMP STATIONARY IDLER PULLEY W/BEARING
40	B893.2-47	SNAP RING 47
41	B276-6303RS	BEARING 6303-2RS
42	462107	WLD, PUMP STATIONARY IDLER PULLEY
43	543167	SPACER, STEPPED

ENGINE DECK

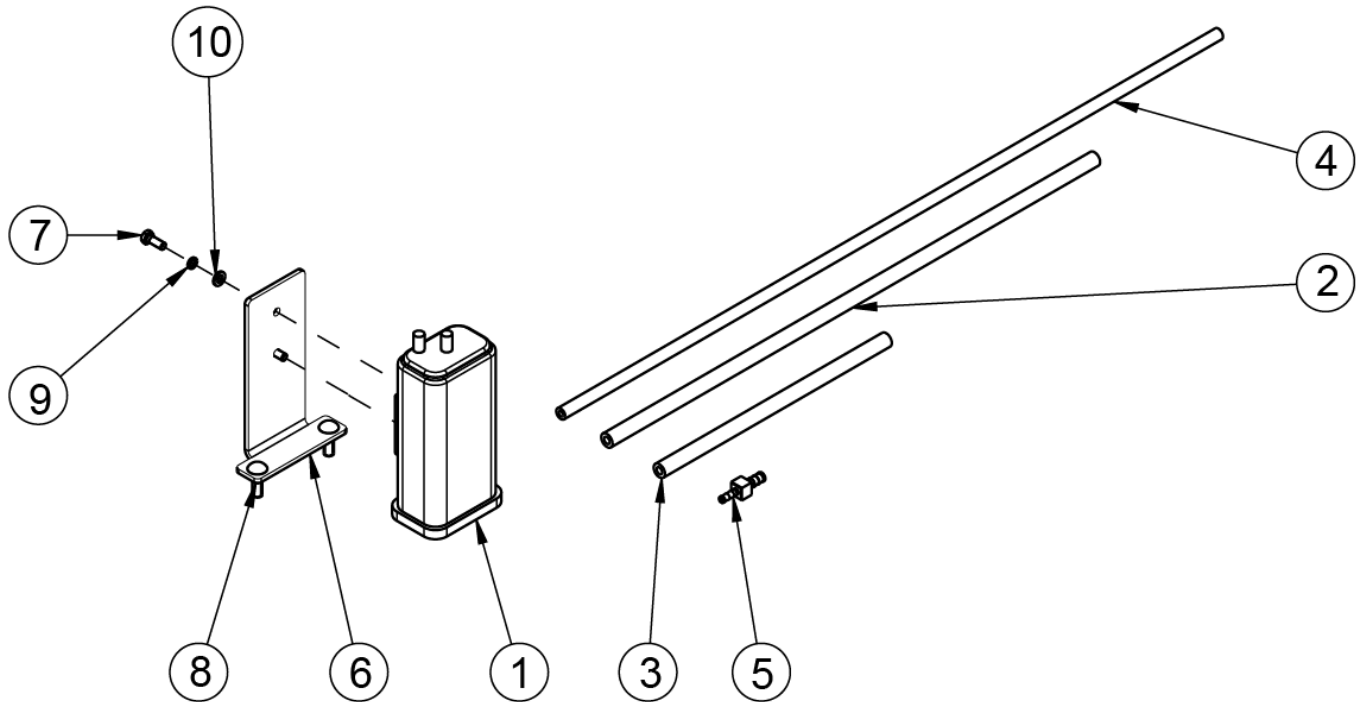
ITEM	PART NO.	DESCRIPTION
44	452110	ASM, PUMP IDLER
45	B801-1050	BOLT, CARRIAGE SN M10 X 50
46	B5787-1040	SCREW, HH FLANGE M10 X 40
47	523328-1	SPACER, PULLEY
48	B893.2-47	SNAP RING 47
49	B276-6303RS	BEARING 6303-2RS
50	543101	ANCHOR, SPRING 1.58
51	5002175	TENSION PULLEY
52	462106	ASM, PUMP IDLER PULLEY W/BEARING
53	452099	WLD, IDLER, PUMP
54	B6182-10	NUT, NYLOC M10
55	452100	ASM, IDLER W/BEARINGS
56	B276-6203RS	BEARING 6203-2RS
57	5201077	BUSHING
58	B893.1-40	SNAP RING 40
59	453313	BUSHING, STEPPED
60	4806004	IDLER SPRING
61	100293	3/8-16 X 1-1/4 HHCS

FUEL TANK ASSEMBLY



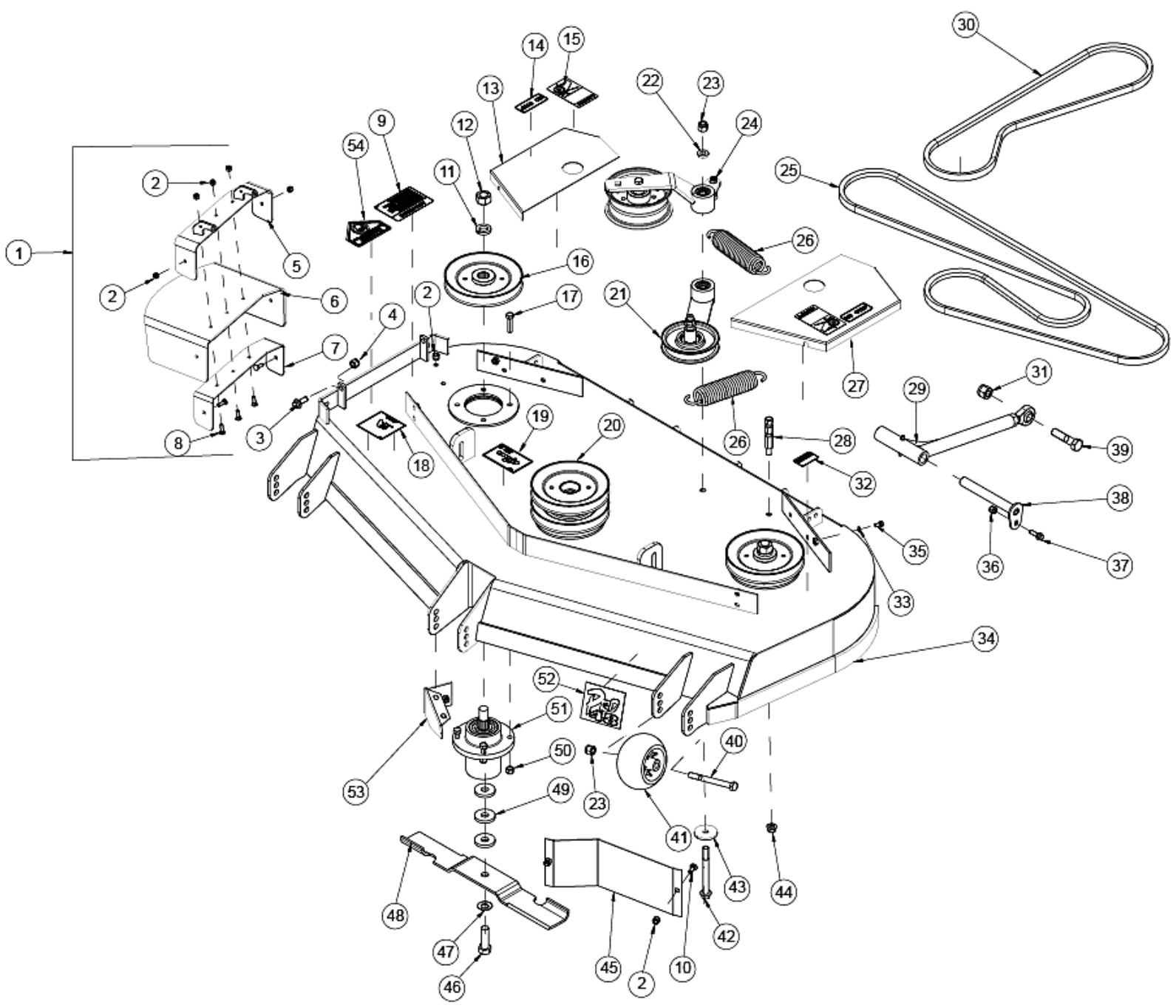
ITEM	PART NO.	DESCRIPTION
1	453362	FUEL TANK COMPLETE
2	3307032	GAS CAP, EPA W/TETHER
3	543306	FITTING, 90° FUEL W/TUBE 10"
4	533125	VALVE GROMMET – VITON
5	543283	ASM, FUEL VENT W/GROMMET

CARBON CANISTER ASSEMBLY



ITEM	PART NO.	DESCRIPTION
1	363423	CARBON CANISTER 382 CC
2	533085	FUEL LINE 21-1/2" LONG (.25")
3	623410	1/4" FUEL LINE - 10"
4	623418	3/16" FUEL LINE DSL - 29"
5	5000130	REDUCER, HOSE 3/16 - 1/4
6	463122-1	BRKT, CARBON CANISTER
7	B5783-616	SCREW, HH TAP M6 X 16
8	B801-825	BOLT, CARRIAGE SN N8 X 25
9	B93-6	WASHER 6
10	B97.1-6	WASHER 6

48" DECK ASSEMBLY



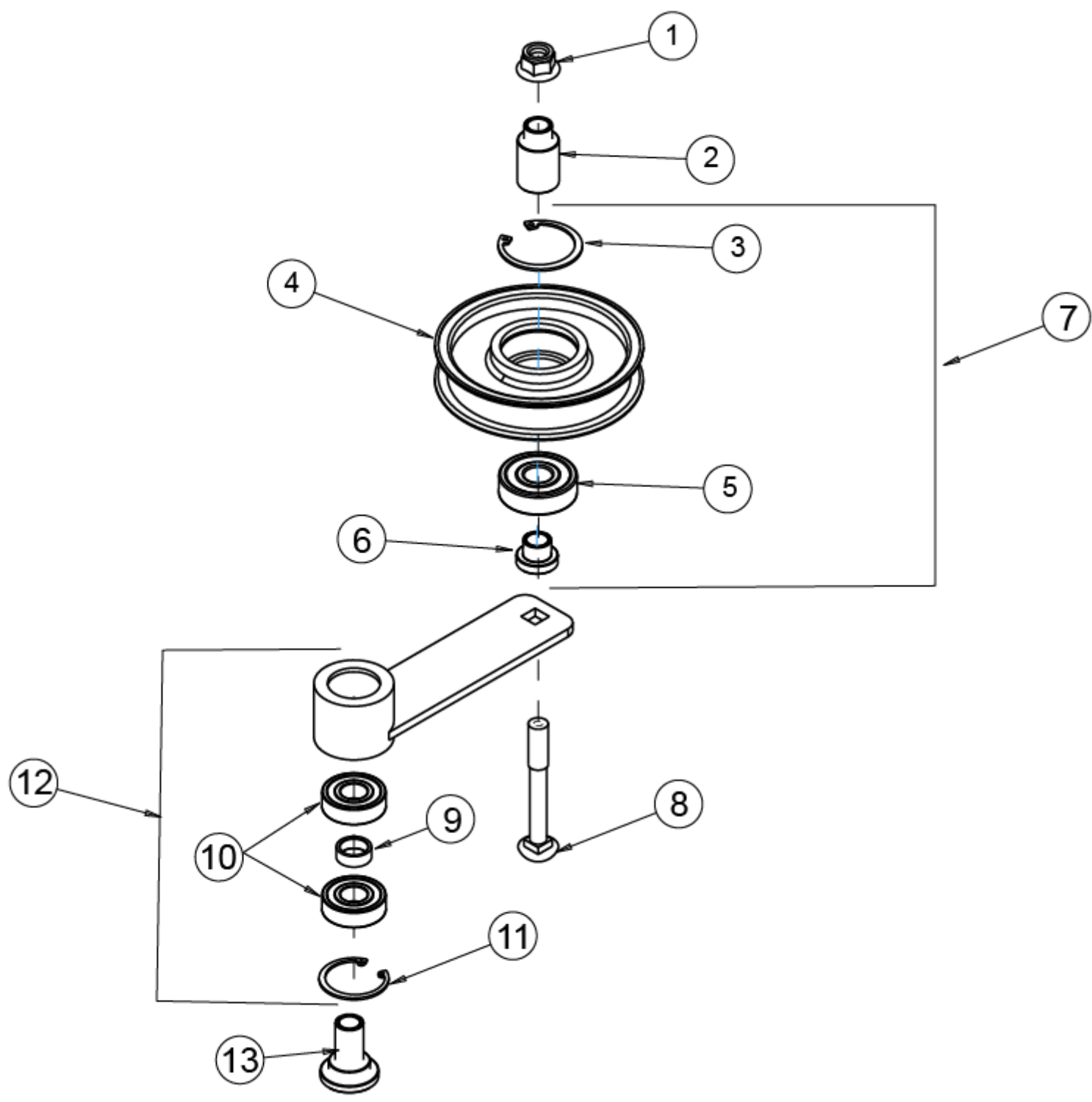
48" DECK ASSEMBLY

ITEM	PART NO.	DESCRIPTION
1	4801050	DISCHARGE CHUTE ASM, COMPLETE
2	B6182-8	NUT, NYLOC M8
3	B5787-1025	SCREW, HH FLANGE M10 X 25
4	B6182-10	NUT, NYLOC M10
5	4801060	FIXED BRACKET
6	4801052	DISCHARGE CHUTE
7	4801051	BACKING PLATE
8	B12-825	SQUARE BOLT M8 X 25
9	8307	DECAL, DISCHARGE WARNING
10	B801-820	BOLT, CARRIAGE SN M8 X 20
11	105010	3/4 LOCKWASHER
12	104511	3/4-16 UNF REG HEX NUT
13	462088	ASM, 48" EN RH BELT SHIELD W/DECALS
14	8304	DECAL, NO STEP
15	8008	DECAL, CAUTION, GUARDING LG
16	452073	PULLEY, DECK
17	100294	3/8-16 X 1-1/2 HHCS
18	543392	DECAL, ANTI-SCALP ROLLER
19	463136	DECAL, SO BELT ROUTING
20	462080	PULLEY, DOUBLE
21	462076	ASM, 48 IDLER ARM - DETAIL ON PG 30
22	453220	SPACER
23	B6182-12	NUT, NYLOC M12
24	462069	ASM, IDLER ARM - DETAIL ON PG 35
25	463339	BELT, 48", DECK BLADE
26	5201002	SPRING, EXTENSION
27	462092	ASM, EN 48 LH BELT SHIELD W/DECALS
28	453228	ANCHOR, SPRING
29	542025	ASM, DECK STRUT
30	463440	BELT, 48" DECK DR.
31	B6182-16	NYLOC NUT M16
32	8303	DECAL, CAUTION, GUARDING SM
33	B97.1-8	WASHER 8
34	462085	ASM, 48 DECK W/DECAL
35	B5783-816	SCREW, HH TAP M8 X 16
36	B6183-8	NUT, FLANGED NYLOC M8
37	B5787-825	SCREW, HH FLANGE M8 X 25
38	5201055	AXLE PIN WELDMENT
39	B5782-1665	SCREW, HH M16 X 65
40	B5782-12120	SCREW, HH M12 X 120
41	543225	ROLLER, ANTI SCALP
42	B5787-12120	SCREW, HH FLANGE M12 X 120
43	453219	WASHER, LARGE

48" DECK ASSEMBLY

ITEM	PART NO.	DESCRIPTION
44	B6183-10	NUT, NYLOC FLANGE M10
45	543216-2	BAFFLE, BIRDWING 48, RED
46	100347	5/8-11 X 2 HHCS
47	583108	5/8 SPRING DISC WASHER
48	483103	BLADE, STAND-ON 48
49	363382	BLADE SPACER
50	104257	3/8-16 HEX NYLOC NUT
51	583106	BLADE SPINDLE ASM DETAIL ON PG 39
52	483075	PRO-48 DECAL
53	543212-2	BAFFLE, DOGLEG 48, RED
54	363023	DANGER DECAL, HANDS AND FEET

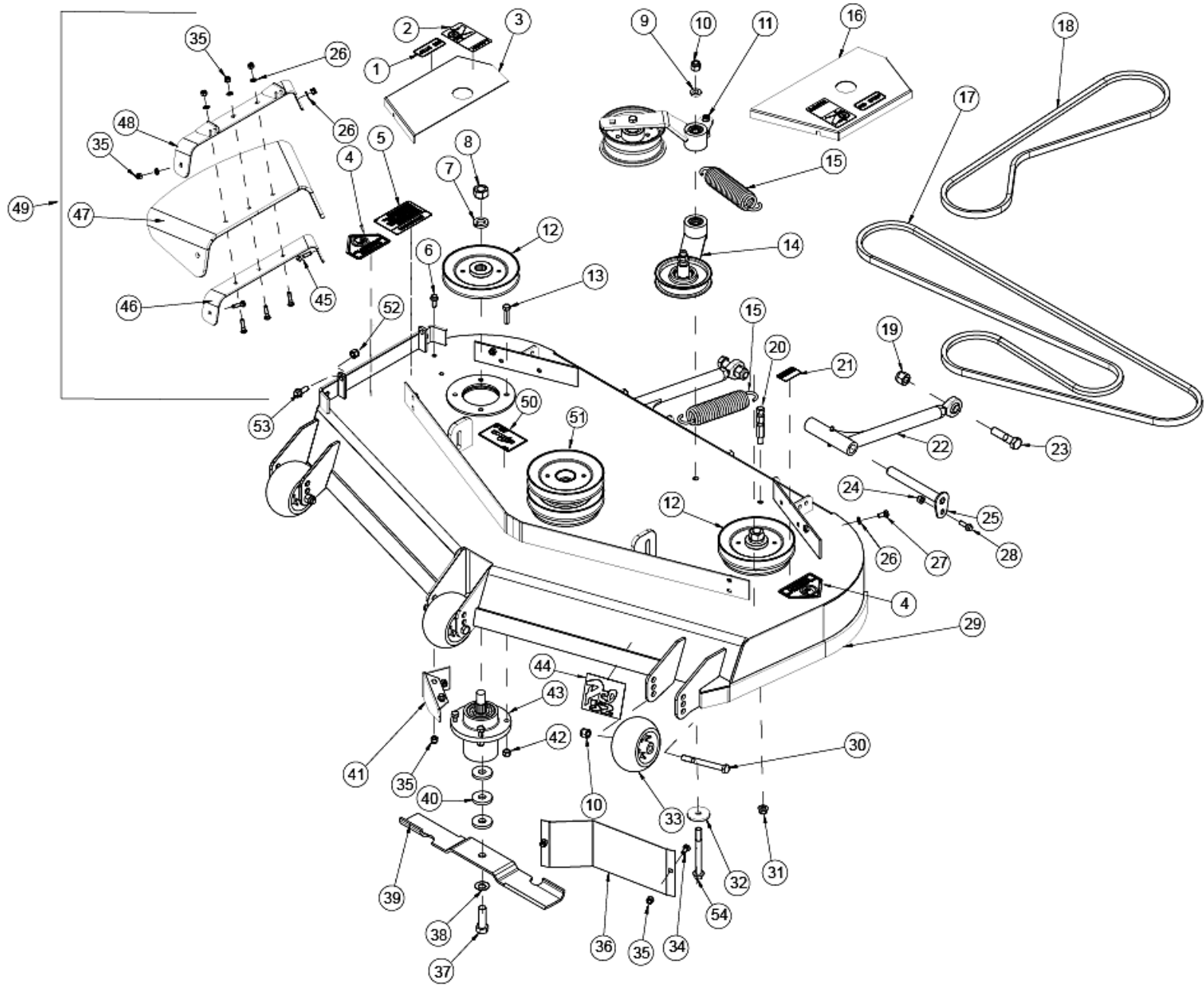
48" LOWER DECK IDLER ASSEMBLY



48" LOWER DECK IDLER ASSEMBLY

ITEM	PART NO.	DESCRIPTION
1	B6183-12	NUT, NYLOC FLANGE M12
2	453364	SPACER, STEPPED
3	B893.2-47	SNAP RING 47
4	3302056	IDLER PULLEY
5	B276-6303RS	BEARING 6303-2RS
6	543167	SPACER, STEPPED
7	452062	ASM, IDLER PULLEY
8	B801-1290	BOLT, CARRIAGE M12 X 90
9	5201077	BUSHING
10	B276-6203RS	BEARING 6203-2RS
11	B893.1-40	SNAP RING 40
12	462075	ASM, 48" IDLER ARM W/BEARING
13	453313	BUSHING, STEPPED

52" DECK ASSEMBLY



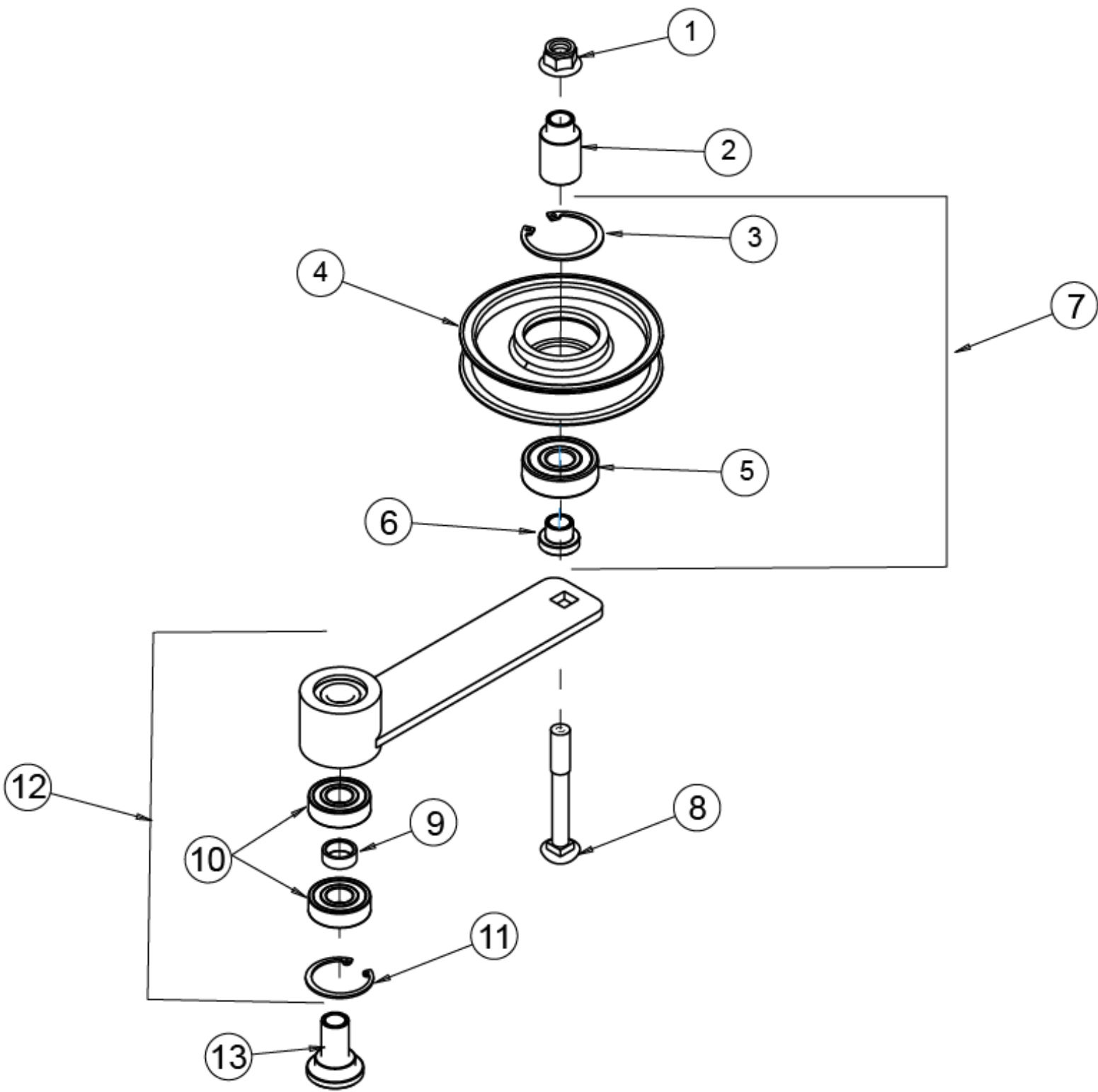
52" DECK ASSEMBLY

ITEM	PART NO.	DESCRIPTION
1	8304	DECAL, NO STEP
2	8008	DECAL, CAUTION, GUARDING LG
3	462090	ASM, EN 52 RH BELT SHIELD W/DECALS
4	363023	DANGER DECAL, HANDS AND FEET
5	8307	DECAL, DISCHARGE WARNING
6	B5787-820	SCREW, HH FLANGE M8 X 20
7	105010	3/4 LOCKWASHER
8	104511	3/4-16 UNF REG HEX NUT
9	453220	SPACER
10	B6182-12	NUT, NYLOC M12
11	462069	ASM, IDLER ARM DETAIL ON PG 37
12	452073	PULLEY, DECK
13	100294	3/8-16 X 1-1/2 HHCS
14	452064	ASM, IDLER ARM DETAIL ON PG 35
15	5201002	SPRING, EXTENSION
16	462094	ASM, EN 52 LH BELT SHIELD W/DECALS
17	453215	BELT, SERPENTING
18	453214	BELT, DECK
19	B6182-16	NYLOC NUT M16
20	453228	ANCHOR, SPRING
21	8303	DECAL, CAUTION, GUARDING SM
22	542025	ASM, DECK STRUT
23	B5782-1665	SCREW, HH M16 X 65
24	B6183-8	NUT, FLANGED NYLOC M8
25	5201055	AXLE PIN WELDMENT
26	B97.1-8	WASHER 8
27	B5783-816	SCREW, HH TAP M8 X 16
28	B5787-825	SCREW, HH FLANGE M8 X 52
29	462086	ASM, 52 DECK W/DECAL
30	B5782-12120	SCREW, HH M12 X 120
31	B6183-10	NUT, NYLOC FLANGE M10
32	453219	WASHER, LARGE
33	543225	ROLLER, ANTI SCALP
34	B801-820	BOLT, CARRIAGE SN M8 X 20
35	B6182-8	NUT, NYLOC M8
36	543046-2	BAFFLE, BIRDWING LH, PTD
37	100347	5/8-11 X 2 HHCS
38	583108	5/8 SPRING DISC WASHER
39	823004	18" HI LIFT BLADE
40	363382	BLADE SPACER
41	452119-2	WLD, DISCHARGE BAFFLE, PTD
42	104257	3/8-16 HEX NYLOC NUT
43	583106	BLADE SPINDLE ASM DETAIL ON PG 39
44	523493	PRO-52 DECAL

52" DECK ASSEMBLY

ITEM	PART NO.	DESCRIPTION
45	B12-835	HEX HD BOLT M8 X 35
46	6001052A	INNER BRACKET, DISCHARGE CHUTE
47	6001053	DISCHARGE CHUTE (RUBBER)
48	6001054A	OUTER BRACKET, DISCHARGE CHUTE
49	6001050A	ASM, DISCHARGE CHUTE 52/60
50	463136	DECAL, SO BELT ROUTING
51	452072	PULLEY, DOUBLE
52	B6182-10	NUT, NYLOC M10
53	B5787-1025	SCREW, HH FLANGE M10 X 25
54	B5787-12120	SCREW, HH FLANGE M12 X 120

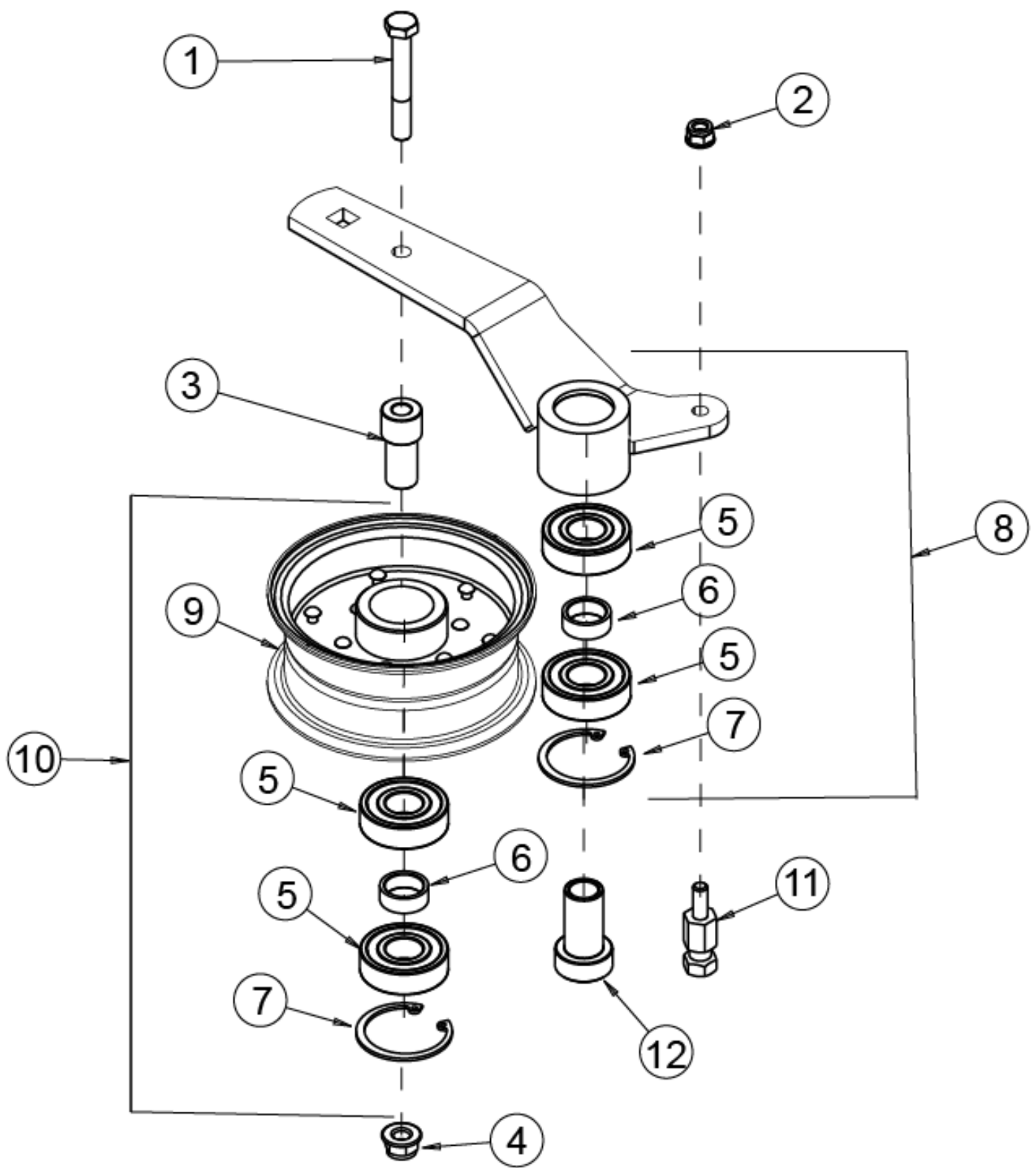
52" LOWER DECK IDLER ASSEMBLY



52" LOWER DECK IDLER ASSEMBLY

ITEM	PART NO.	DESCRIPTION
1	B6183-12	NUT, NYLOC FLANGE M12
2	453364	SPACER, STEPPED
3	B893.2-47	SNAP RING 47
4	3302056	IDLER PULLEY
5	B276-6303RS	BEARING 6303-2RS
6	543167	SPACER, STEPPED
7	452062	ASM, IDLER PULLEY
8	B801-1290	BOLT, CARRIAGE M12 X 90
9	5201077	BUSHING
10	B276-6203RS	BEARING 6203-2RS
11	B893.1-40	SNAP RING 40
12	452071	ARM, IDLER W/BEARINGS
13	453313	BUSHING, STEPPED

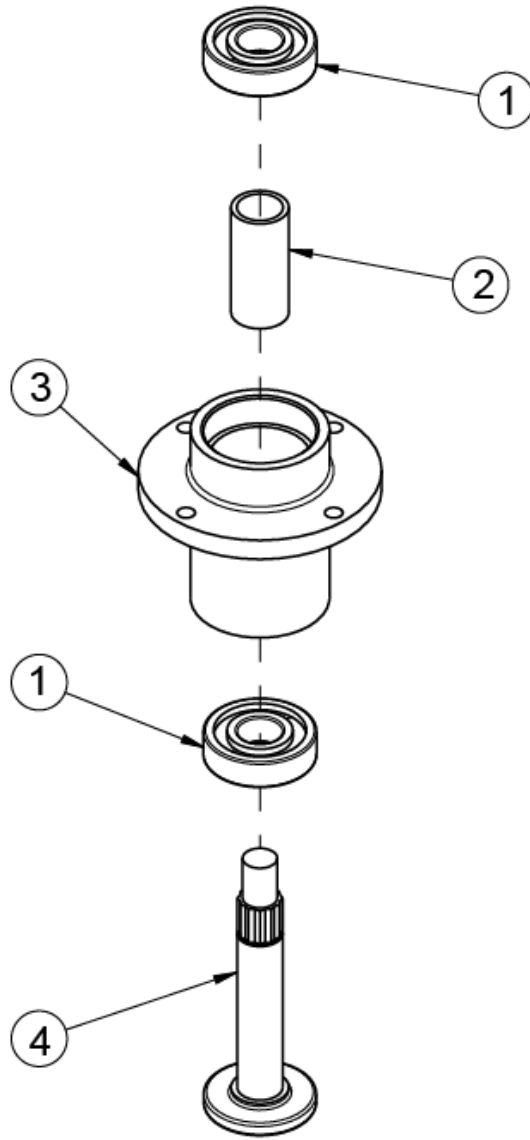
UPPER DECK IDLER ASSEMBLY



UPPER DECK IDLER ASSEMBLY

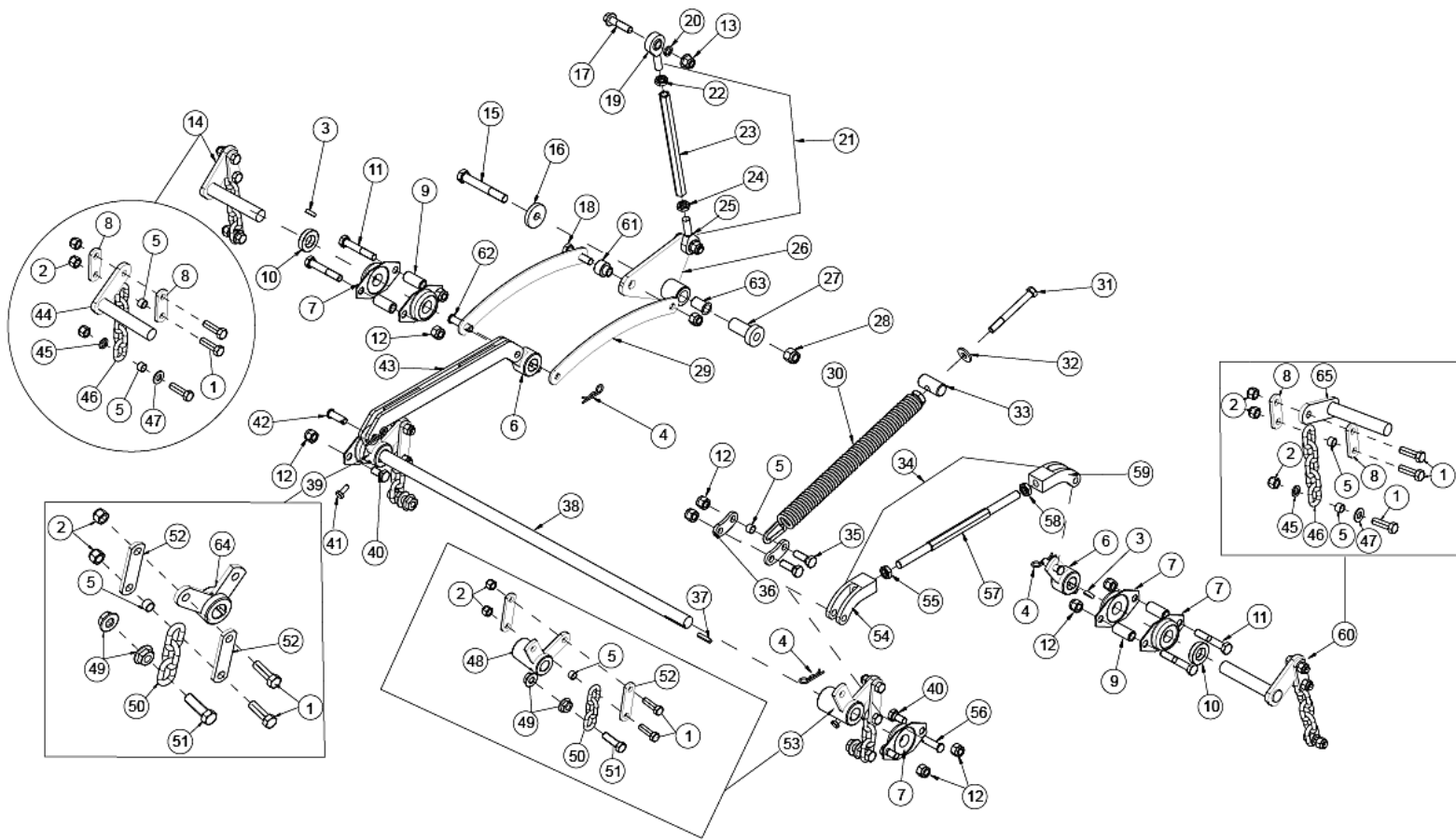
ITEM	PART NO.	DESCRIPTION
1	B5782-1075	SCREW, HH M10 X 75
2	B6183-8	NUT, FLANGED NYLOC M8
3	463220	SPACER, IDLER PULLEY
4	B6183-10	NUT, NYLOC FLANGED M10
5	B276-6203RS	BEARING 6203-2RS
6	5201077	BUSHING
7	B893.1-40	SNAP RING 40
8	462070	ASM, IDLER ARM W/BEARINGS
9	5201064	IDLER PULLEY
10	462072	ASM, IDLER PULLEY
11	543100	ANCHOR, SPRING .91
12	453213	BUSHING, STEPPED

BLADE SPINDLE ASSEMBLY



ITEM	PART NO.	DESCRIPTION
1	363350	BEARING – BLADE SPINDLE
2	583113	BEARING SPACER TUBE
3	583111	SPINDLE HOUSING
4	583112	SPINDLE SHAFT

DECK LIFT ASSEMBLY



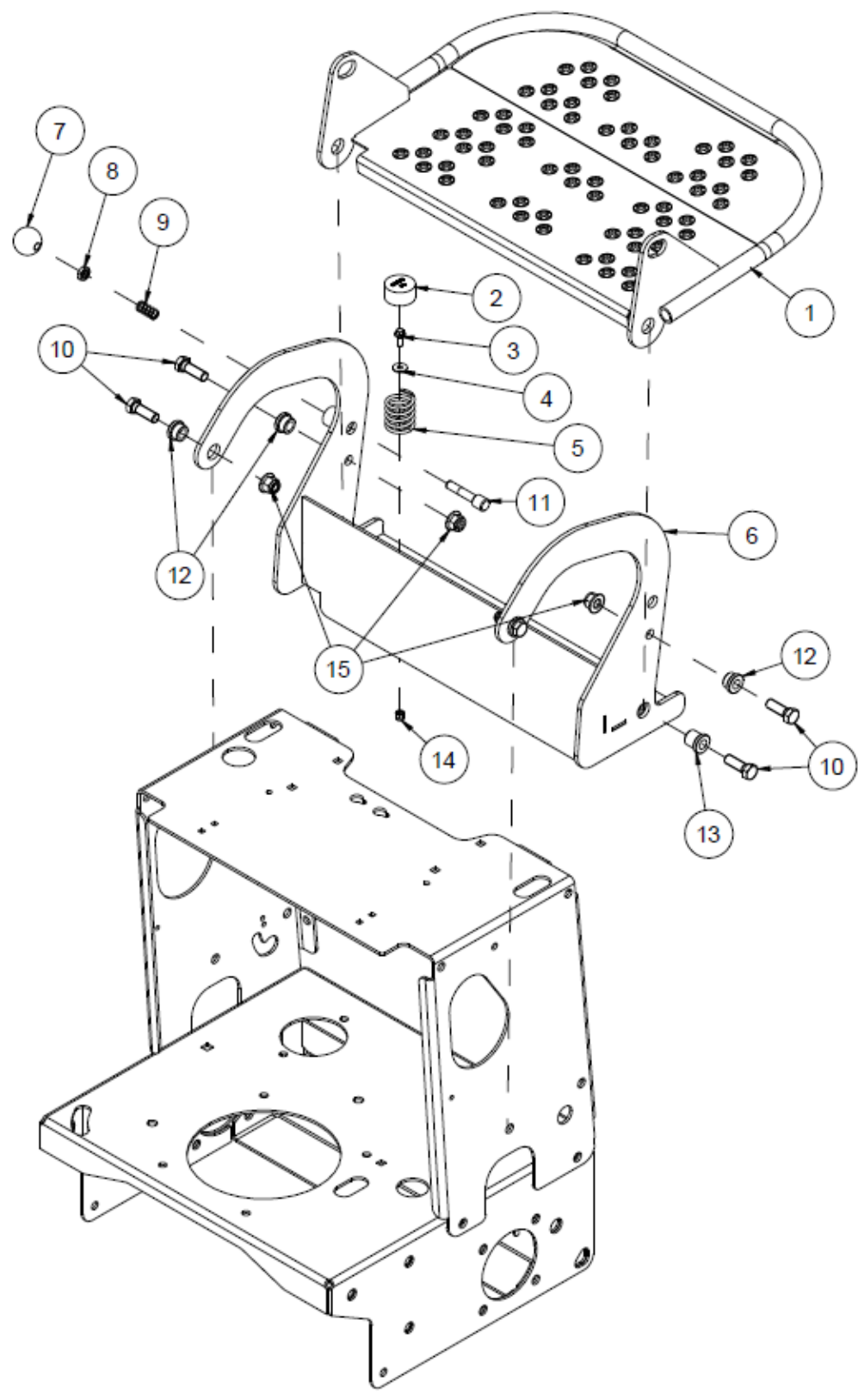
DECK LIFT ASSEMBLY

ITEM	PART NO.	DESCRIPTION
1	100293	3/8-16 X 1-1/4 HHCS
2	104257	3/8-16 HEX NYLOC NUT
3	107009	3/4 X 3/16 WOODRUFF KEY
4	363165	#3 ISSCO HAIRPIN COTTER (#2)
5	363174	EYEBOLT SPACER
6	422056	SPRING ASSIST ARM
7	423140	3/4 I.D. 2 BOLT BEARING
8	423356	LIFT CHAIN LINK – PLTD
9	453551	SPACER, BRG MOUNT
10	463442	SPACER, REAR LIFT
11	B5782-1060	BOLT 10 X 60
12	B6182-10	NUT, NYLOC M10
13	B6183-10	NUT, NYLOC FLANGE M10
14	464049	GRP, RH REAR DECK LIFT
15	B5782-1285	SCREW, HH M12 X 85
16	423068	CLUTCH WASHER
17	B5787-1040	SCREW, HH FLANGE M10 X 40
18	B5782-1045	SCREW, HH M10 X 45
19	B9163-JK10CL	BEARING, SABJK10C LH
20	B93-10	SPLIT LOCK WASHER M10
21	462048	ASM, VERT, CUT HGT LINK
22	B6172-10L	NUT, JAM M1- LH
23	463053	LINK, CUT HGT VERT
24	B6172-10	NUT, JAM M10
25	B9163-JK10C	BEARING, SABJK10C
26	462038	ASM, HGT CRANK W/BUSHING
27	463333	PIVOT, LIFT CRANK
28	B6182-12	NUT, NYLOC M12
29	463051-2	LINK, CUT HGT HORZ – RED
30	622135	SPRING TENSION ASSY.755x1.147x14.71
31	100031	SCREW, HH TAP 3/8-16 X 3-1/2
32	463449	SPACER, 1.18 OD X .391 ID X .181
33	5206006	BUSHING
34	462047	ASM, BENT CLEVIS LINK
35	B5783-1030	HEX HD BOLT M10 X 30
36	463120	LINK, SPRING LIFT
37	107255	3/16 X 3/16 X 1 MACH KEY

DECK LIFT ASSEMBLY

ITEM	PART NO.	DESCRIPTION
38	453549	SHAFT, FRONT LIFT
39	464047	GRP, RH FRONT DECK LIFT
40	B5783-1020	SCREW, HH TAP M1- X 20
41	100504	1/4-28 X 5/8 HHCS
42	B882-1030	PIN SHAFT B 10 X 30
43	462058-2	WLD, FIXED CUT HGT LINK - RED
44	462040	WLD, REAR LIFT LH
	462039	WLD, REAR LIFT RH
45	105006	3/8 LOCKWASHER
46	423359	FRONT CHAIN (5 LINKS)
47	105259	3/8 SAE FLAT WASHER
48	462060	WLD, SPRING HUB
49	109027	7/16-14 WHIZLOCK NUT
50	853134	REAR CHAIN – 3 LINKS – FC-F
51	100311	7/16-14 X 1-1/2 HHCS
52	463338	LINK, FRONT CHAIN
53	464046	GRP, LH FRONT DECK LIFT
54	463060	CLEVIS, BENT 12 MM RH
55	B6172-12	NUT, JAM M12
56	B882-1035	PIN, M10 X 35
57	463079	LINK, BENT CLEVIS
58	B6172-12L	NUT, JAM M12 LH
59	463082	CLEVIS, BENT 12MM LH
60	464048	GRP, LH REAR DECK LIFT
61	463052	BUSHING, HORZ LINK
62	B882-1040	PIN SHAFT B 10 X 40
63	523111	3/4 FLANGE BUSHING
64	422043	DECK LIFT CRANK
65	462040	WLD, REAR LIFT LH

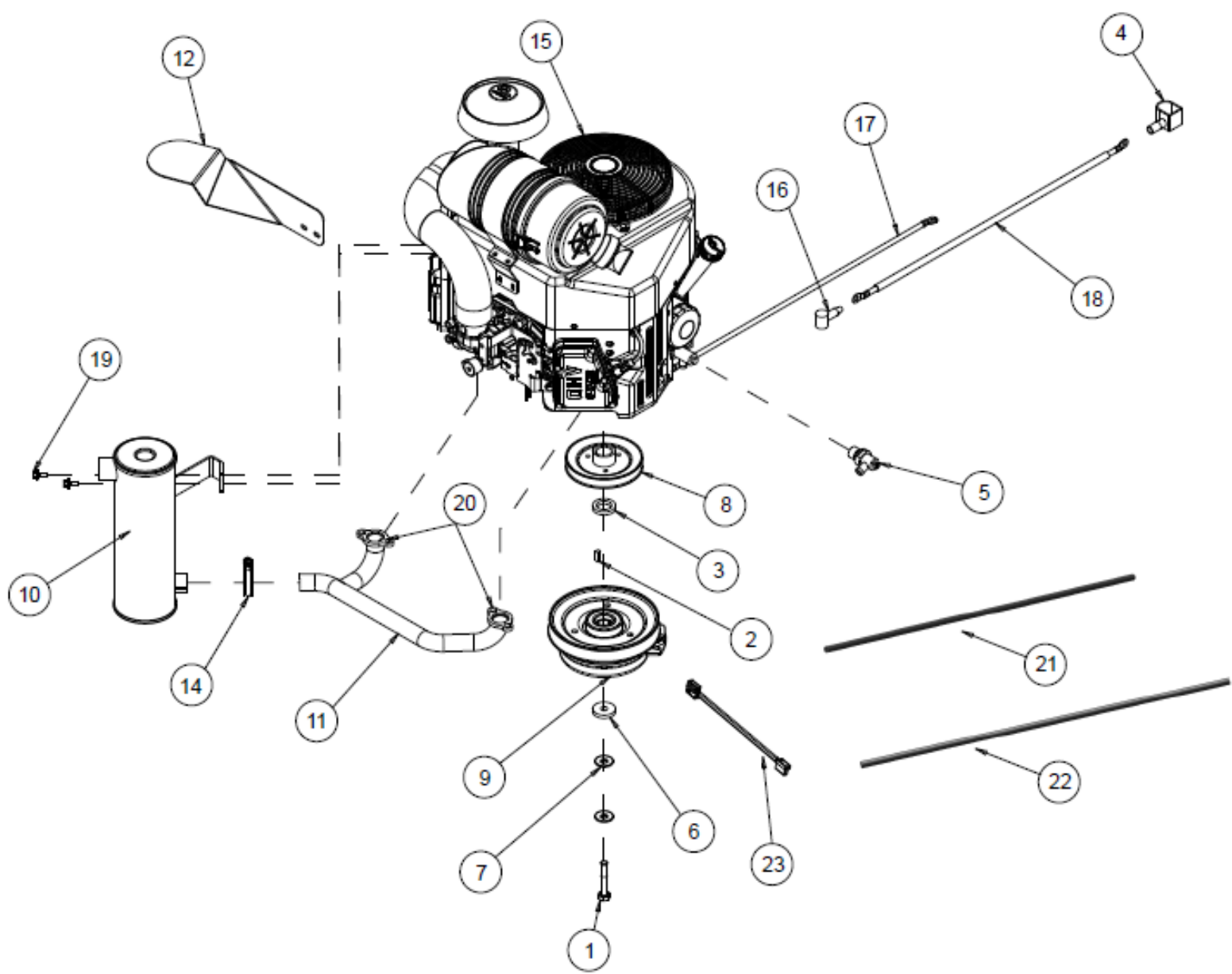
SULKY ASSEMBLY



SULKY ASSEMBLY

ITEM	PART NO.	DESCRIPTION
1	452091-1	FOOTPLATE WELDMENT
2	5203045	CAP, PLASTIC
3	B5787-616	SCREW, HH FLANGED M6 X 16
4	B96-6	WASHER, FLAT M6
5	5203044	SPRING
6	452092-2	SULKY MOUNT WELDMENT
7	B4141.11-1035	KNOB, M10 X 35
8	B6172-10	NUT, JAM M10
9	4806013	COMPRESSION SPRING
10	B5783-1235	SCREW, HH TAP M12 X 35
11	453279	PIN, LATCH
12	453288	BUSHING
13	453287	BUSHING
14	B6182-6	NUT, NYLOC M6
15	B6183-12	NUT, FLANGED NYLOC M12

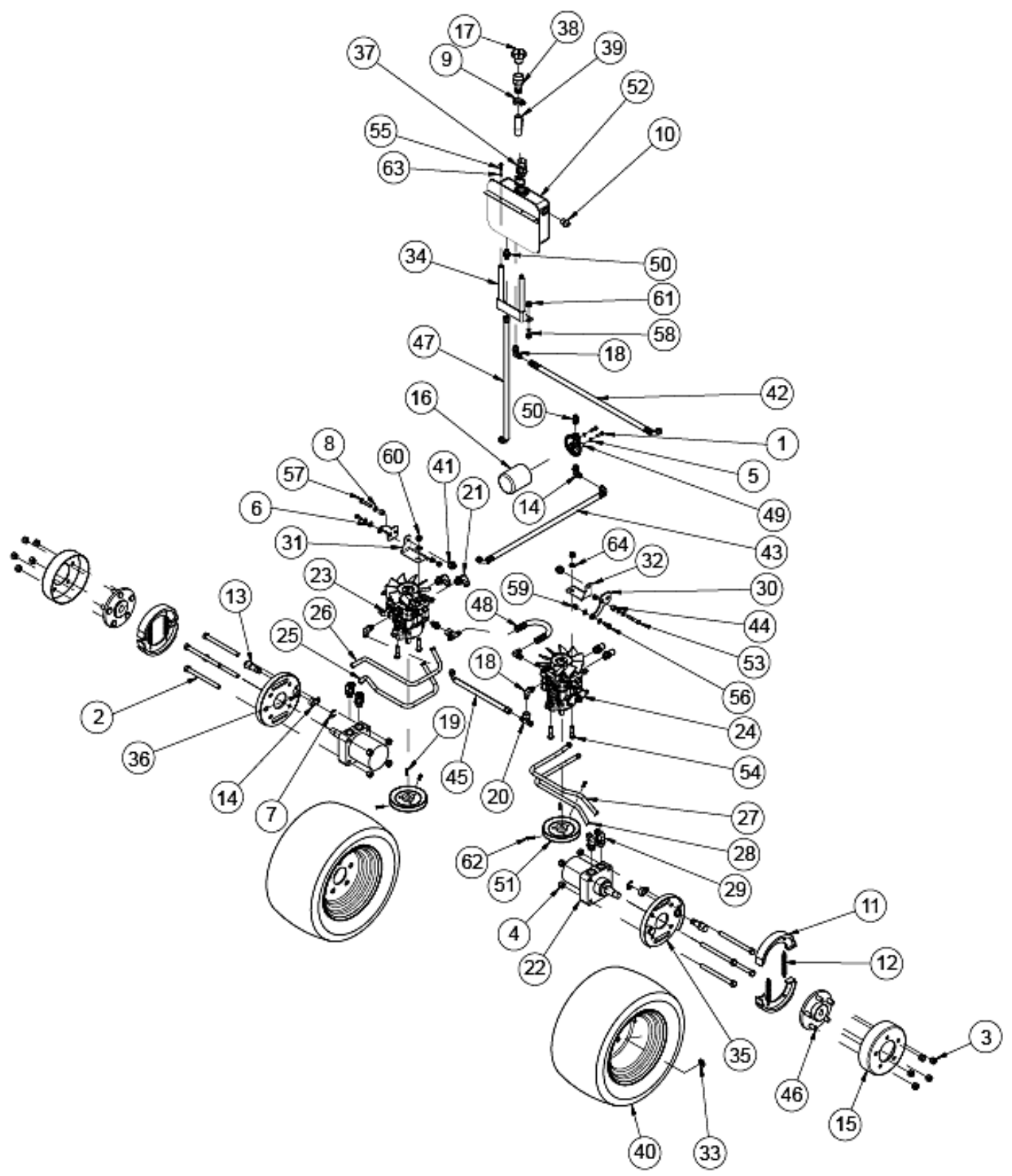
ENGINE GROUP



ENGINE GROUP

ITEM	PART NO.	DESCRIPTION
1	100535	BOLT 7/16-20 X 2-1/2
2	107258	KEY .25 SQ X .75
3	343128	PULLEY WASHER
4	343146	DRAIN, OIL 90 DEG
5	363098	CLAMP FUEL LINE
6	423068	WASHER, 7/16 ID X 1.50 OD X .25 THK
7	423069	WASHER, SPRING DISC 7/16
8	423117	POSITIVE CABLE, LONG
9	423118	NEGATIVE CABLE
10	453309	PULLEY, PUMP DRIVE
11	453330	CLUTCH, 125 FT/LB
12	453332	HARNESS, WIRE, KAW (NOT SHOWN)
13	453407	MUFFLER, LONG
14	453408	MANIFOLD, LONG CAN
15	N/A	26HP KAWASAKI – FOR REFERENCE ONLY
16	623418	HOSE, VENT 3/16 ID X 29
17	823315	FUEL LINE 1/4 X 27”
18	453412-1	GUARD, AIR INTAKE HEAT - BLACK
19	B5787-816	SCREW, HH FLANGED M8 X 16
20	483098	MUFFLER GASKET
21	823315	KOHLER FUEL LINE – 27”
22	623418	3/16" FUEL LINE DSL - 29"
23	603083	CLUTCH ADAPT. HARNESS

HYDRO GROUP



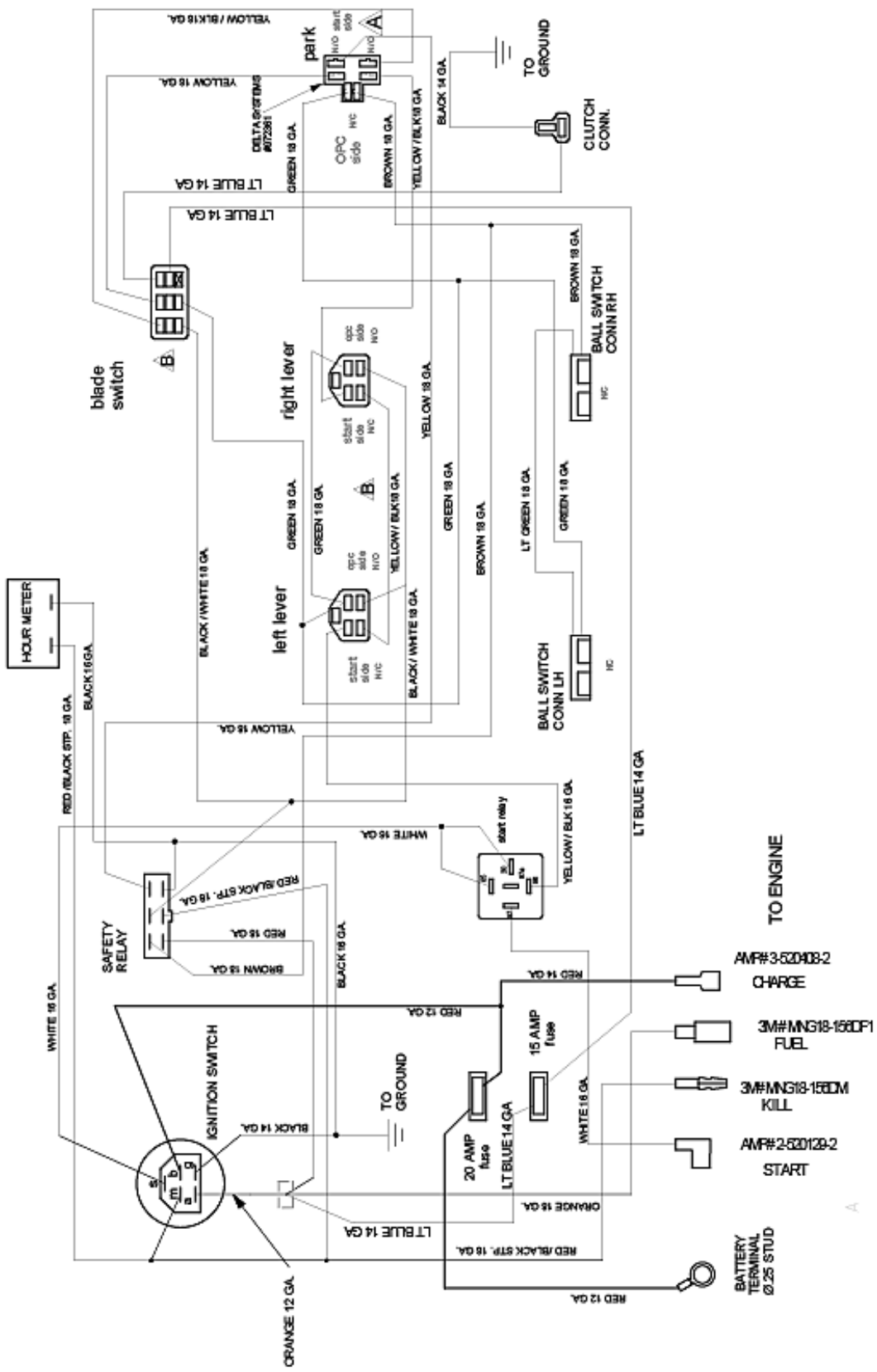
HYDRO GROUP

ITEM	PART NO.	DESCRIPTION
1	100252	1/4-20 x 3/4 HHCS
2	100339	1/2-13 X 6 HHCS
3	103023	1/2-20 X 60 T LUG NUT
4	104259	1/2-13 HEX NYLOC NUT
5	105004	1/4 LOCKWASHER-HEAVY
6	105257	5/16 SAE FLAT WASHER
7	108500	E-RING 5/8 DIA.
8	253075	CABLE ANCHOR SPACER
9	343147	EXTENSION CLAMP
10	423065	OIL EYE
11	423276	BRAKE SHOE
12	423281	BRAKE SPRING
13	423296	BRAKE CAM
14	423308	BRAKE CAM ARM
15	423310	BRAKE DRUM – 180
16	423361	OIL FILTER
17	453042	OIL TANK CAP
18	453074	90° ADAPTER
19	453102	PUMP KEY
20	453106	SWIVEL TEE
21	453113	PUMP ELBOW
22	453153	WHEEL MOTOR
23	453260	PUMP, RH PG W/FAN
24	453261	PUMP, LH PG W/FAN
25	453301	TUBE, 52, RH A
26	453302	TUBE, 52, RH B
27	453303	TUBE, 52, LH A
28	453304	TUBE, 52, LH B
29	453307	ADAPTER 45°
30	453381	BRACKET, NEUTRAL SWITCH
31	453383	MT, NEUTRAL SWITCH RH
32	453384	MT, NEUTRAL SWITCH LH
33	453390	DECAL, REAR TIRE PRESSURE
34	462044	WLD, HYDRO TANK MT
35	462103	WLD, LH SHOE BRAKE BACKPLATE
36	462105	WLD, RH SHOE BRAKE BACKPLATE
37	463067	ADAPTER, TANK FILL 90

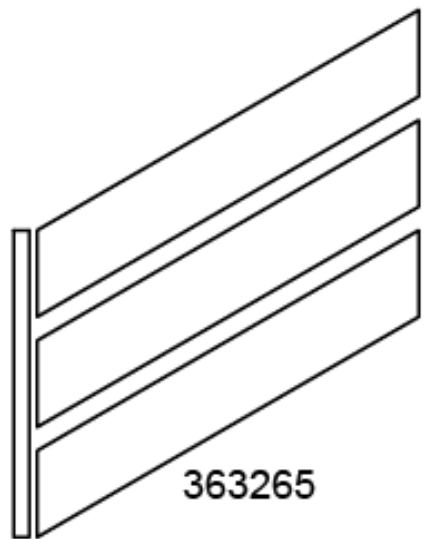
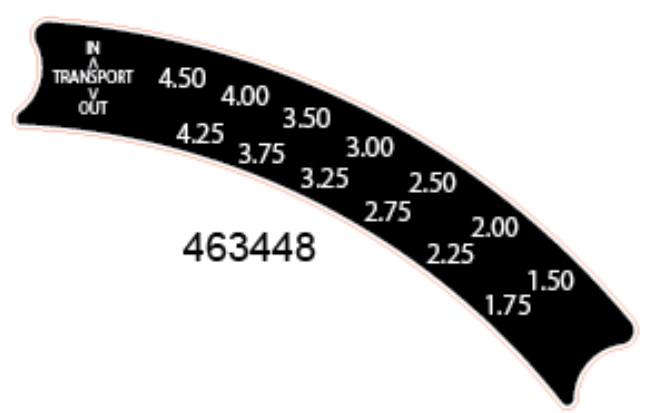
HYDRO GROUP

ITEM	PART NO.	DESCRIPTION
38	463068	ADAPTER, TANK BREATHER
39	463069	HOSE, TANK FILL
40	463073	ASM, DRIVE WHEEL
41	463128	SWITCH, PROXIMITY
42	463446	HOWE, TANK TO FILTER
43	463447	HOSE, FILTER TO PUMP
44	543316	SPACER
45	583241	HOSE PUMP TO PUMP
46	592180	WHEEL HUB
47	593073	HOSE – RETURN
48	593309	PUMP TO FILTER HOSE
49	593310	FILTER HEAD ROPS
50	623463	ADAPTER STR. 6400-6-6
51	5207070	PUMP PULLEY
52	462053-1	WLD, HYDRO TANK – BLK
53	B5782-850	SCREW, HH M8 X 50
54	B5782-1040	SCREW, HH M10 X 40
55	B5783-620	SCREW, HH TAP M6 X 20
56	B5783-820	SCREW, HH TAP M8 X 20
57	B5783-845	SCREW, HH TAP M10 X 25
58	B5783-1025	SCREW, HH TAP M10 X 25
59	B6182-8	NUT, NYLOC M8
60	B6183-10	NUT, NYLOC FLANGE M10
61	B6187-10	FLANGED TOPLOCK M10
62	B84-620	SCREW, SET SQUARE CUP PT M6 X 20
63	B93-6	WASHER 6
64	B97.1-10	WASHER, FLAT M10

WIRE HARNESS



DECALS



DECALS



363023



543392



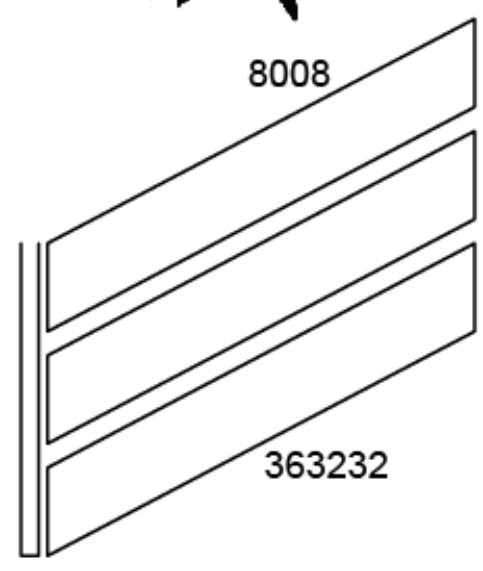
8008



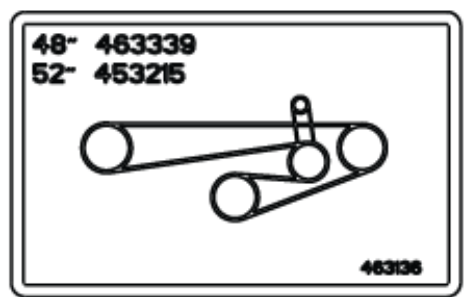
523493



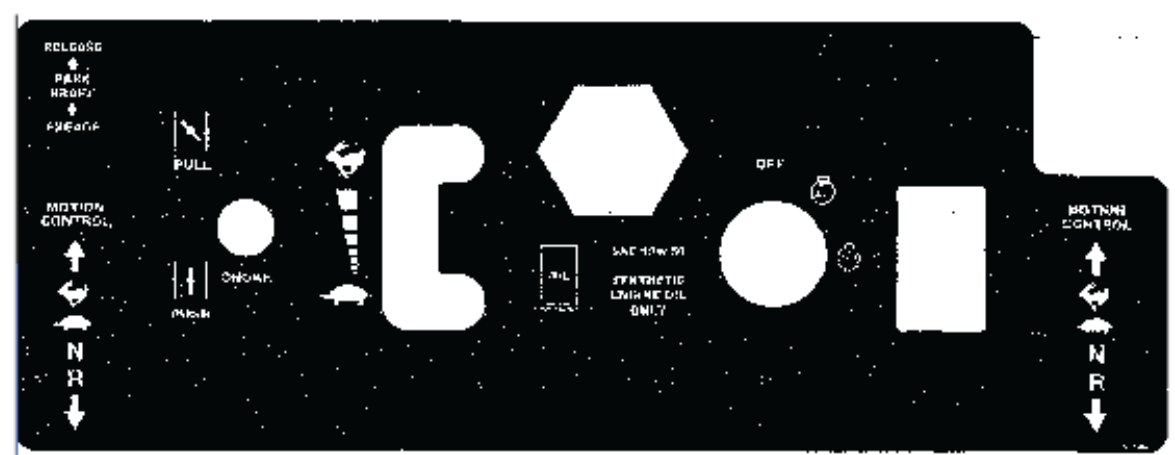
483075



363232



463136



463103



ALL RIGHTS RESERVED

CONTENTS SUBJECT TO CHANGE

PARTS MANUAL

STANDON

2017.06.15