



ENCORE

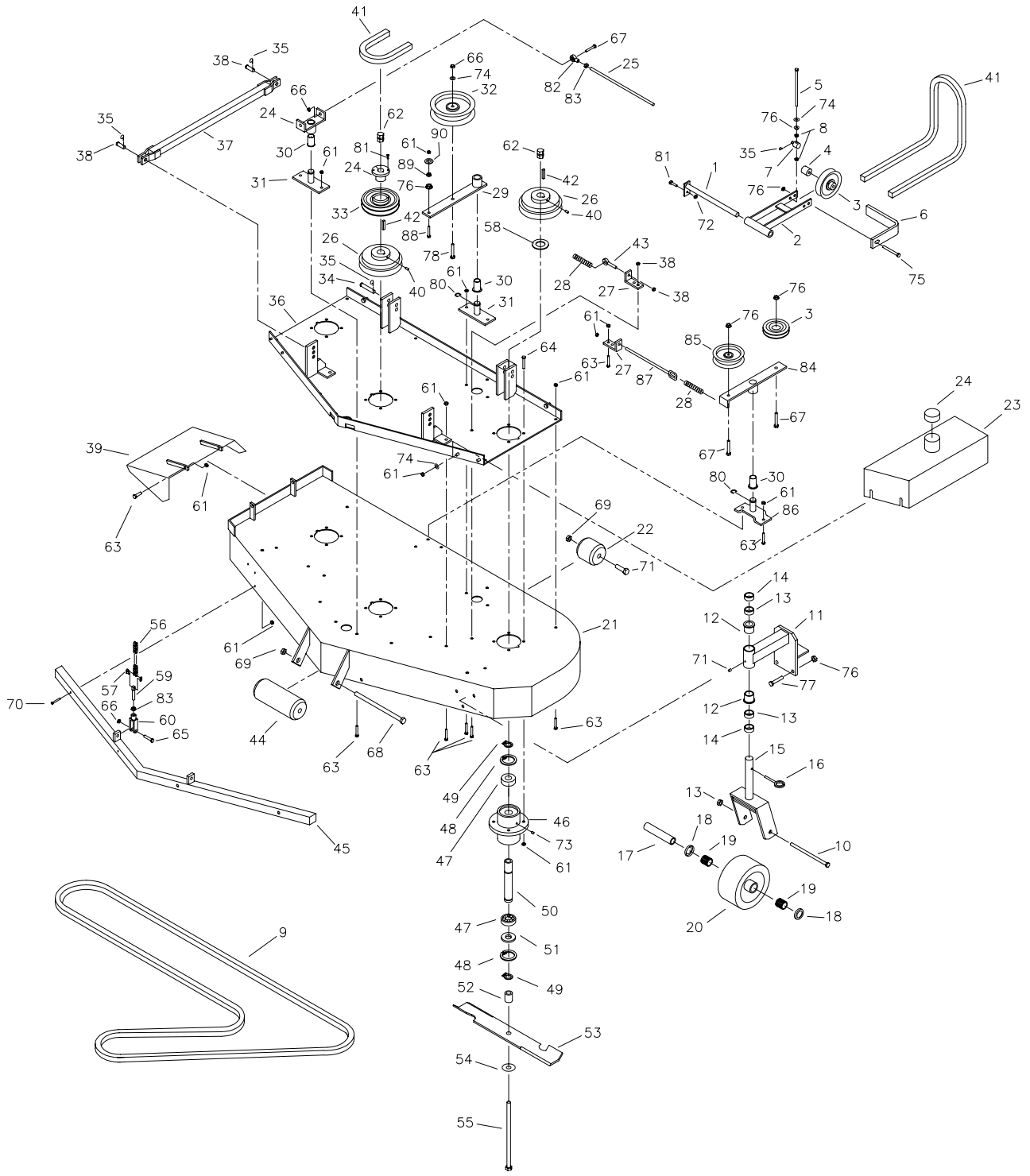
MANUFACTURING CO. INC.

PRO-Line RIDER

52K555G

**PARTS
MANUAL**

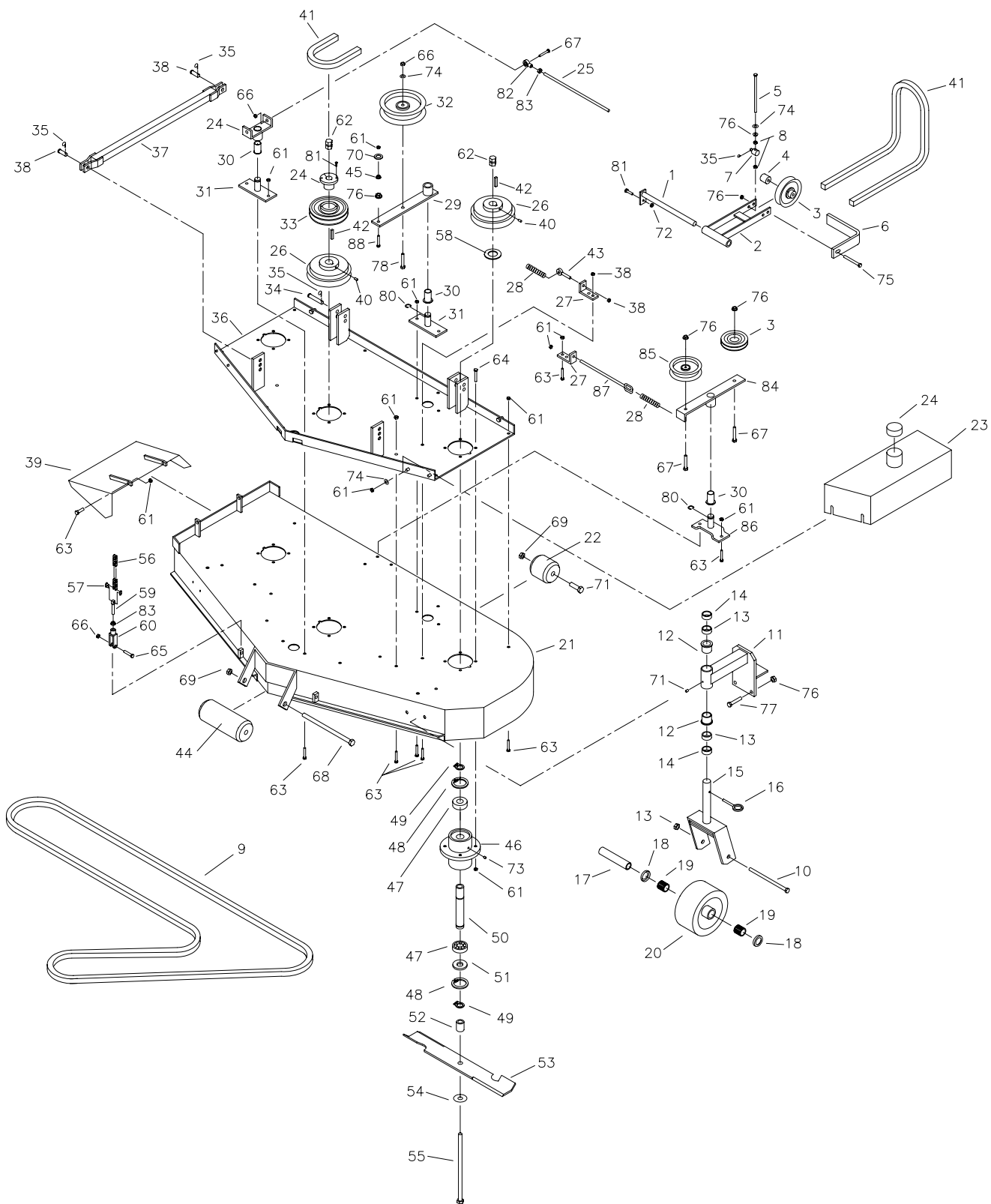




52" DECK ASSEMBLY

#	P/N	QTY	DESCRIPTION	#	P/N	QTY	DESCRIPTION
1	522080	1	PIVOT ROD - MULE DRIVE	47	363350	6	BEARING - BLADE SPINDLE
2	522078	2	MULE DRIVE	48	108506	6	RETAINING RING - LARGE
3	523325	2	DECK DRIVE IDLER PULLEY	49	108507	6	RETAINING RING - 1"
4	523277	2	IDLER SPACER	50	363058	3	BLADE SPINDLE
5	523276	2	ADJUSTING BOLT	51	363060	3	DUST CAP
6	523320	2	BELT GUIDE	52	373086	3	BLADE SPACER
7	523128	2	TENSIONER SWIVEL	53	363291	3	18" BLADE
8	104753	4	3/8" - 16 JAM NUT	54	105268	3	5/8" FLAT WASHER
9	523108	1	BLADE BELT	55	100353	3	5/8" X 9 1/2" HHCS (GR 5)
10	100339	1	1/2" - 13 X HHCS	56	523121	2	CHAIN
11	322007	1	CASTER SUPPORT W/BUSHING	57	523123	2	CONNECTOR LINK
12	363007	2	FLANGE BEARING	58	363121	3	1" WHEEL WASHER
13	104259	1	1/2" - 13 NYLOC NUT	59	523125	2	ANCHOR STUD
14	363006	4	SPACER	60	363192	2	LARGE YOKE
15	522022	1	DECK STRUT	61	104256	32	5/16" - 18 NYLOC NUT
16	109020	1	QUICK PIN	62	104510	3	BLADE NUT
17	363307	1	AXLE TUBE	63	100273	21	5/16" - 18 X 1" HHCS
18	363011	2	END CAP	64	100274	16	5/16" - 18 X 1 1/4" HHCS
19	362012	2	ROLLER BEARING	65	100294	2	3/8" - 16 X 1 1/2" HHCS
20	523432	1	DECK CASTER WHEEL	66	104257	1	3/8" NYLOC NUT
21	522004	1	52" DECK	67	100295	6	3/8" - 16 X 1 3/4" HHCS
22	523084	2	REAR DECK ROLLER	68	100352	1	5/8" X 9" HHCS
23	522012	1	RH BELT SHIELD	69	104261	1	5/8" NYLOC NUT
	522014	1	LH BELT SHIELD	70	100276	4	5/16" - 18 X 1 3/4" HHCS
24	363217	1	TAPER LOCK HUB - 25 MM	71	100346	2	5/8" - 11 X 4 1/2" HHCS
25	523103	1	LINK WATTS	72	104255	1	1/4" - 20 NYLOC NUT
26	523095	3	OFF-SET PULLEY	73	111002	3	5/16" DRIVE ZERK
27	523094	2	SPRING MOUNT DECK	74	105260	10	3/8" FLAT WASHER
28	523327	2	IDLER SPRING	75	100302	2	3/8" - 16 X 3 1/2" HHCS
29	522016	1	IDLER ARM	76	109007	11	3/8" - 16 WHIZLOCK
30	523111	3	3/4" FLANGE BUSHING	77	100292	6	3/8" - 16 X 1 HHCS
31	522104	2	OFF-SET PIVOT MOUNT	78	100296	1	3/8" - 16 X 2 HHCS
32	363264	1	ENGAGEMENT IDLER	79	111001	1	GREASE ZERK
33	523096	1	5" TAPER LOCK SHEAVE	80	108509	2	E-RING
34	523242	2	7/16" CLEVIS PIN - LONG	81	100252	1	1/4" - 20 X 3/4" HHCS
35	523244	4	# 3 HAIR PIN COTTER	82	523104	4	ROD END - WATTS
36	522008	1	52" SUB-PLATE	83	109008	4	3/8" - 24 WHIZLOCK
37	522040	2	DECK ARM WELDMENT	84	522101	1	IDLER ARM
38	523243	4	7/16" CLEVIS PIN - SHORT	85	523329	1	FLAT IDLER
39	482017	1	GRASS DEFLECTOR	86	522104	1	IDLER PIVOT
40	103293	3	5/16" - 18 X 3/8" SET SCREW	87	453080	1	ROD STOP
41	523107X	1	DECK DRIVE BELT	88	100275	1	5/16" - 16 X 1 1/2" HHCS
42	363242	3	BLADE SPINDLE KEY	89	109001	1	5/16" - 16 WHIZLOCK
43	363080	1	RIGHT HAND EYE BOLT	90	105258	1	5/16" FLAT WASHER
44	603023	1	ANTI-SCALP ROLLER	91	523324		4" DECK IDLER
45	522099	1	BUMPER				
46	363053	3	BLADE SPINDLE HOUSING				

Notes:



61" DECK ASSEMBLY

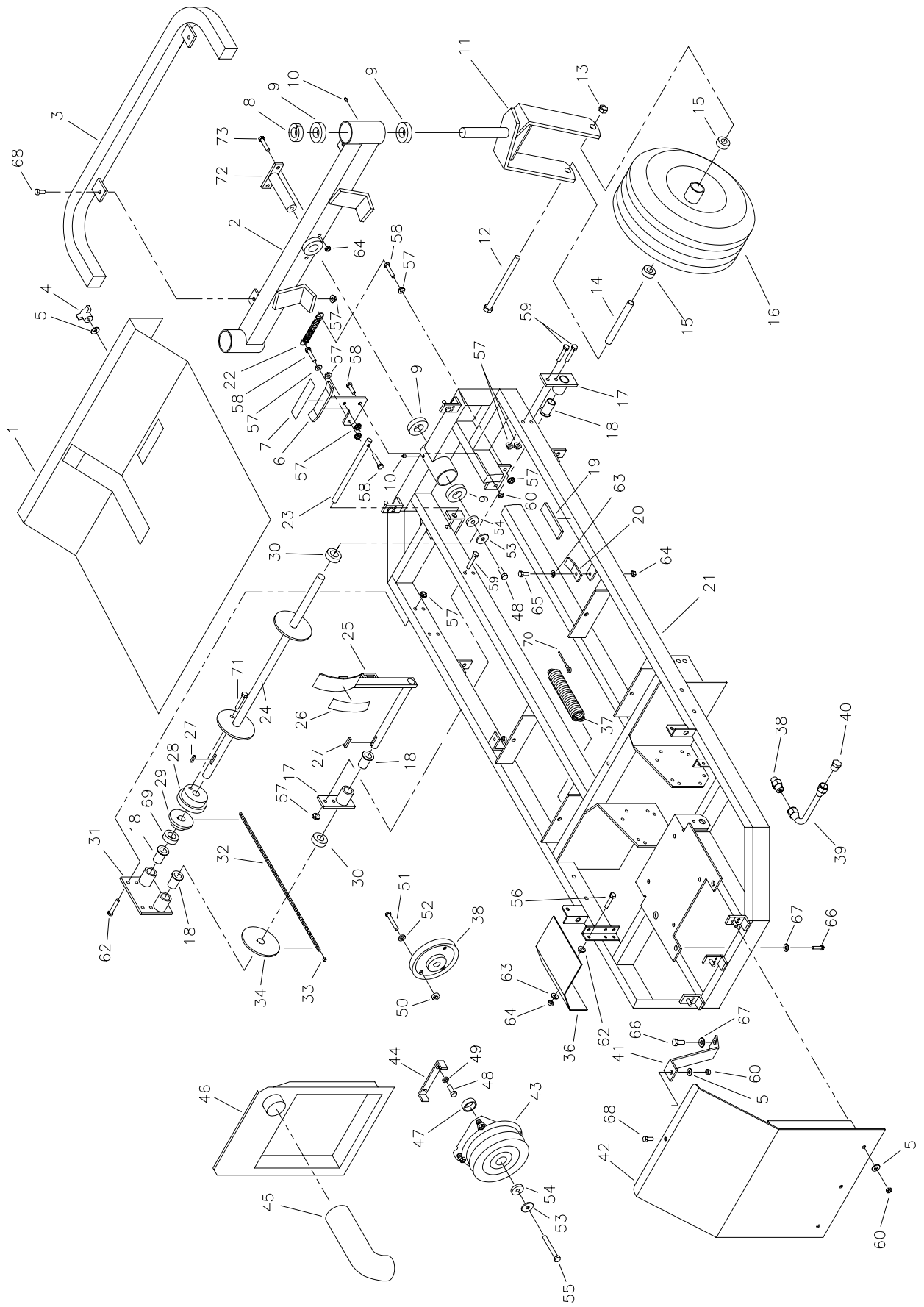
#	P/N	QTY	DESCRIPTION	#	P/N	QTY	DESCRIPTION
1	522080	1	PIVOT ROD - MULE DRIVE	46	363053	3	BLADE SPINDLE HOUSING
2	522078	2	MULE DRIVE	47	363350	6	BEARING - BLADE SPINDLE
3	523325	2	DECK DRIVE IDLER PULLEY	48	108506	6	RETAINING RING - LARGE
4	523277	2	IDLER SPACER	49	108507	6	RETAINING RING - 1"
5	523276	2	ADJUSTING BOLT	50	363058	3	BLADE SPINDLE
6	523320	2	BELT GUIDE	51	363060	3	DUST CAP
7	523128	2	TENSIONER SWIVEL	52	373086	3	BLADE SPACER
8	104753	4	3/8" - 16 JAM NUT	53	603041	3	20" BLADE
9	603050	1	BLADE BELT	54	105268	3	5/8" FLAT WASHER
10	100339	1	1/2" - 13 X 6" HHCS	55	100353	3	5/8" X 9 1/2" HHCS (GR 5)
11	322007	1	CASTER SUPPORT W/BUSHING	56	523121	2	CHAIN
12	363007	2	FLANGE BEARING	57	523123	2	CONNECTOR LINK
13	104259	1	1/2" - 13 NYLOC NUT	58	363121	3	1" WHEEL WASHER
14	363006	4	SPACER	59	523125	2	ANCHOR STUD
15	522022	1	DECK STRUT	60	363192	2	LARGE YOKE
16	109020	1	QUICK PIN	61	104256	32	5/16" - 18 NYLOC NUT
17	363307	1	AXLE TUBE	62	104510	3	BLADE NUT
18	363011	2	END CAP	63	100273	21	5/16" - 18 X 1 HHCS
19	362012	2	ROLLER BEARING	64	100274	16	5/16" - 18 X 1 1/4" HHCS
20	523432	1	DECK CASTER WHEEL	65	100294	2	3/8" - 16 X 1 1/2" HHCS
21	602014	1	61" DECK	66	104257	1	3/8" NYLOC NUT
22	523084	2	REAR DECK ROLLER	67	100295	6	3/8" - 16 X 1 3/4" HHCS
23	602021	1	RH BELT SHIELD	68	100352	1	5/8" X 9" HHCS
	602019	1	LH BELT SHIELD	69	104261	1	5/8" NYLOC NUT
24	363217	1	TAPER LOCK HUB - 25 MM	70	105258	1	5/16" FLAT WASHER
25	523103	2	LINK WATTS	71	100346	2	5/8" - 11 X 4 1/2" HHCS
26	523095	3	OFF-SET PULLEY	72	104255	1	1/4" - 20 NYLOC NUT
27	523094	2	SPRING MOUNT DECK	73	111002	3	5/16" DRIVE ZERK
28	523327	2	IDLER SPRING	74	105260	10	3/8" FLAT WASHER
29	522016	1	IDLER ARM	75	100302	2	3/8" - 16 X 3 1/2" HHCS
30	523111	3	3/4" FLANGE BUSHING	76	109007	11	3/8" - 16 WHIZLOCK
31	362024	2	IDLER PIVOT ASSEMBLY	77	100292	6	3/8" - 16 X 1" HHCS
32	363264	1	ENGAGEMENT IDLER	78	100296	1	3/8" - 16 X 2" HHCS
33	363216	1	5 3/4" TAPER LOCK SHEAVE	79	111001	1	GREASE ZERK
34	523242	2	7/16" CLEVIS PIN	80	108509	2	E-RING
35	523244	4	# 3 HAIR PIN COTTER	81	100252	1	1/4" - 20 X 3/4" HHCS
36	602016	1	61" SUB-PLATE	82	523104	4	ROD END - WATTS
37	522040	2	DECK ARM WELDMENT	83	109008	4	3/8" - 24 WHIZLOCK
38	523243	4	SHORT CLEVIS PIN	84	522101	1	IDLER ARM FLOATING W/BUSHING
39	482017	1	GRASS DEFLECTOR	85	523329	1	FLAT IDLER
40	103293	3	5/16" - 18 X 3/8" SET SCREW	86	522104	1	IDLER PIVOT
41	523349X	1	DECK DRIVE BELT	87	453080	1	ROD STOP
42	363242	3	BLADE SPINDLE KEY	88	100275	1	5/16" - 16 X 1 1/2" HHCS
43	363080	1	RIGHT HAND EYE BOLT	89	523324	1	4" DECK IDLER
44	603023	1	ANTI-SCALP ROLLER	90	522020		CENTER ARM - WATTS
45	109001	1	5/16" - 16 WHIZLOCK				

Notes:

SEAT FRAME ASSEMBLY

#	P/N	QTY	DESCRIPTION	#	P/N	QTY	DESCRIPTION
1	523029	1	RIDER SEAT	46	523014	1	HOURLY METER MOUNT
2	523149	1	ARM REST KIT	47	363098	4	GAS LINE CLAMP
3	523030	1	SEAT SWITCH	48	523028	4	ASSIST SPRING
4	523212	1	SEAT FRAME PANEL	49	253054	1	POLY SPACER
5	522092	1	SEAT PANEL	50	522082	1	PARK SIDE ROD WELDMENT
6	523105	1	SEAT HINGE	51	102000	20	#12 - 24 X 5" THREAD CUT SCREW
7	523031	1	PTO SWITCH	52	523151	1	PARK ROD - SHORT
8	523299	1	PARK LEVER BRACKET	53	363165	4	HAIR PIN COTTER
9	522034	1	RIGHT FENDER	54	363029	1	5/16" ROD SWIVEL
10	523044	1	SEAT CABLE	55	109001	7	5/16" WHIZLOCK NUT
11	523114	2	ASSIST ROD	56	523153	1	PARK ROD - LONG
12	523028	4	ASSIST SPRING	57	522046	1	SEAT FRAME WELDMENT
13	523017	2	HANDLE	58	523159	1	PARK LEVER GRIP
14	523032	2	HANDLE GRIP	59	523283	1	HOURLY METER
15	523033	2	HANDLE PLUG	60	523310	2	TANK TO PUMP HOSE
16	363257	2	CAP/PLASTIC TANK	61			
17	523019	2	EDGE TRIM	62	523309	1	TANK OUTLET ADAPTER
18	522036	1	LEFT FENDER	63	453043	1	SUCTION SCREEN
19	523222	2	CONTROL LEVER ANGLE	64	103019	1	.50 NPT PLUG
20	522095	1	LH HANDLE PIVOT ROD	65	523050	1	BATTERY
	522060	1	RH HANDLE PIVOT ROD	66	523054	1	BATTERY BOLT
21	522061	2	BI-DIRECTIONAL BLOCK W/ZERK	67	523053	1	BATTERY HOLD DOWN
22	523220	1	LH TANK MOUNT	68	100294	6	3/8" - 16 X 1 1/2" HHCS
	523218	1	RH TANK MOUNT	69	104257	8	3/8" - 16 NYLOC NUT
23	363302	2	FUEL TANK W/INSERTS	70	523112	4	5/16" CLAMP COLLAR
24	523069	1	RETURN LINE ASSEMBLY	71	363159	4	BUSHING
25	523073	1	TANK RETURN ADAPTER	72	523036	3	WARNING LIGHT
26	523039	2	FUEL ADAPTER	73	101039	8	#10 - 24 X 5/8" MACHINE SCREW
27	363269	2	FUEL VALVE CLAMP	74	104252	8	#10 - 24 NYLOC NUT
28	523185	8	5/16" FUEL CLAMP	75	363024	4	COMPRESSION SPRING
29	523040	1	FUEL SHUT-OFF	76	105006	4	3/8" LOCK WASHER
30	363272	2	10" KOHLER FUEL LINE	77	100303	2	3/8" - 16 X 4" HHCS
31	523048	1	VALVE FUEL LINE	78	100254	2	1/4" - 20 X 1" HHCS
32	523046	1	LH FUEL LINE	79	109000	4	1/4" - 20 WHIZLOCK NUT
33	363032	1	FUEL FILTER	80	100271	4	5/16" - 18 X 3/4" HHCS
34	523041	1	5/16" TEE (FUEL)	81	100274	2	5/16" - 18 X 1 1/4" HHCS
35	523045	1	RH FUEL LINE	82	111001	1	1/8" NPT STRAIGHT ZERK
36	453046	1	OIL TANK	83	105256	8	1/4" STANDARD FLAT WASHER
37	523047	1	CENTER FUEL LINE	84	100254	8	1/4" - 20 X 1" HHCS
38	453042	1	OIL TANK CAP	85	105004	8	1/4" LOCK WASHER
39	523034	1	PARK SWITCH	86	105258	3	5/16" STANDARD FLAT WASHER
40	522066	1	PARK ROD HUB	87	104259	2	1/2" - 13 NYLOC NUT
41	363208	1	OPC SWITCH	88	105008	2	1/2" LOCKWASHER
42	363087	1	TRANSMISSION SHAFT SPACER	89	100275	3	5/16" - 18 X 1 1/2" HHCS
43	523278	3	SEAT SPRING	90	523051	1	POSITIVE CABLE - BATTERY
44				91	523052	1	NEGATIVE CABLE - BATTERY
45	104256	3	5/16" NYLOC NUT				

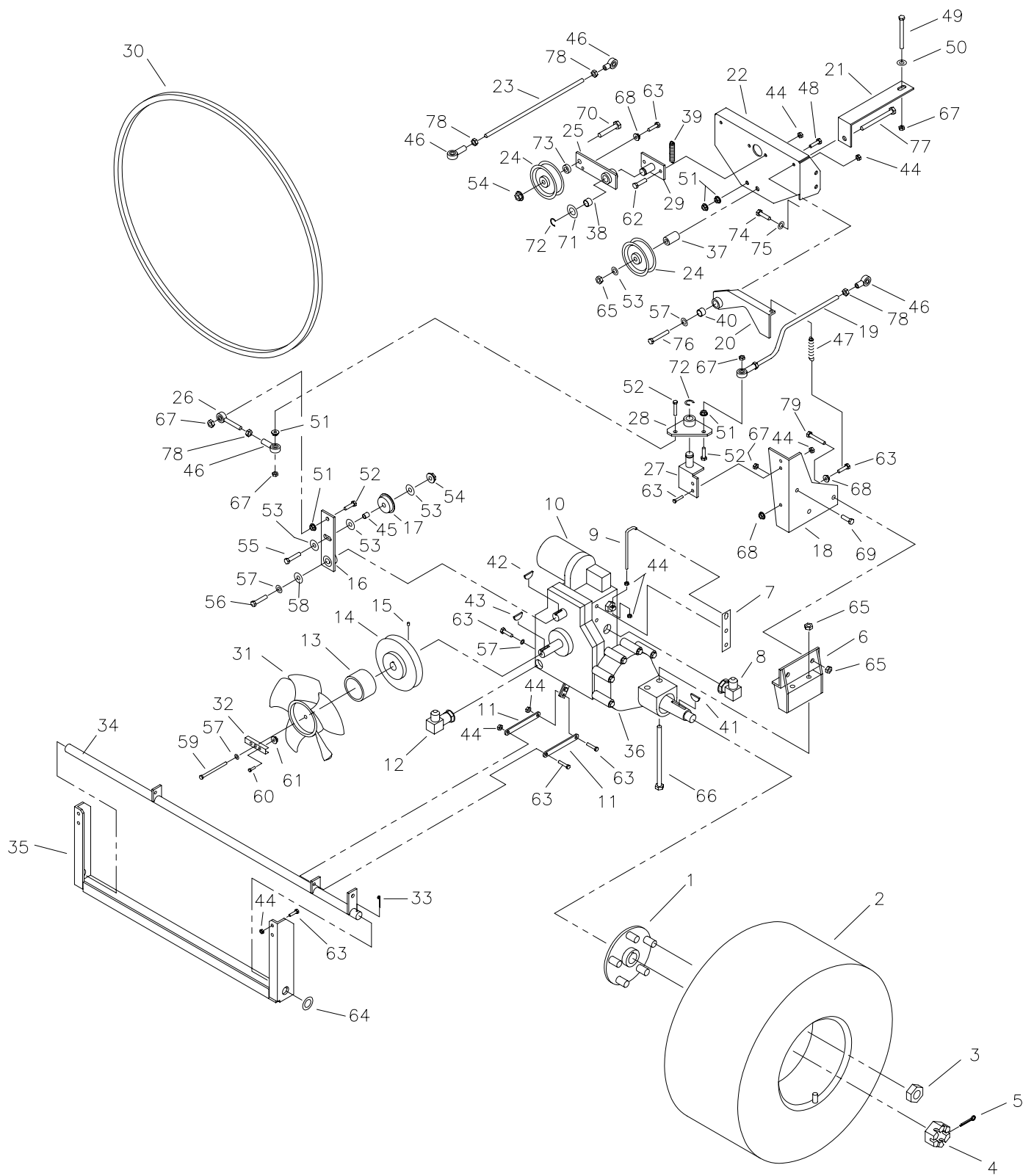
Notes:



MAIN FRAME ASSEMBLY

#	P/N	QTY	DESCRIPTION	#	P/N	QTY	DESCRIPTION
1	523210	1	FLOOR PAN	38	523063	1	ENGINE DRAIN ADAPTOR
2	522109	1	ROCKER AXLE WITH BEARING	39	523064	1	ENGINE DRAIN LINE
	522108	1	ROCK AXLE W/BEARING & PIN	40	523065	1	ENGINE DRAIN PLUG
3	522032	1	FRONT BUMPER	41	523214	1	ENGINE COVER STRAP
4	753028	2	KNOB	42	522090	1	ENGINE CLUTCH COVER
5	105258	6	5/16" STANDARD FLAT WASHER	43	523025	1	ELECTRIC CLUTCH
6	522074	1	LOCK PEDAL WELDMENT	44	523332	1	CLUTCH STOP
7	523062	1	LOCK PEDAL THREAD	45	523055	1	SCREEN TUBE
8	363145	2	1" CLAMP COLLAR	46	522086	1	KAWASAKI ENGINE SCREEN TUBE
9	363187	6	DRIVE WHEEL BEARING	47	523322	1	CLUTCH SPACER
10	111005	2	GREASE ZERK	48	100292	3	3/8" - 16 X 1" HHCS
11	522097	2	13" STRUT	49	105006	1	3/8" LOCKWASHER
12	100348	1	5/8" - 11 X 7" HHCS	50	363097	3	TURNBUCKLE SPACER
13	104261	1	5/8" - 11 NYLOC NUT	51	109022	3	8 M - 1.25 X 50 MM HHCS
14	523098	1	AXLE TUBE	52	105005	3	5/16" LOCKWASHER
15	523302	2	WHEEL BEARING	53	753027	2	3/8" DISC SPRING WASHER
16	523280	1	FRONT WHEEL COMPLETE	54	373089	2	RETAINING WASHER
17	522025	2	LIFT MOUNT	55	109019	1	10 M - 1.5 X 30 MM HHCS
18	523111	4	3/4" PLASTIC BUSHING	56	100255	1	1/4" - 20 X 1 1/4" HHCS
19	363201	4	FUEL TANK PAD	57	109001	11	5/16" - 18 WHIZLOC NUT
20	323697	2	SELF FORMING CLIP	58	100274	2	5/16" - 18 X 1 1/4" HHCS
21	522042	1	FRAME WELDMENT	59	100276	8	5/16" - 18 X 1 3/4" HHCS
22	363117	1	TENSION SPRING	60	104250	5	5/16" - 18 NYLOC NUT
23	523005	1	LOCK ROD	61	100004	2	1/4" - 20 X 1" HHTB
24	522064	1	MAIN LIFT SHAFT	62	109000	2	1/4" - 20 WHIZLOCK NUT
25	522028	1	LIFT PEDAL WELDMENT	63	105256	2	1/4" STANDARD FLAT WASHER
26	523061	1	LIFT PEDAL THREAD	64	104255	4	1/4" - 20 NYLOC NUT
27	107255	2	MACHINE KEY	65	100252	2	1/4" - 20 X 3/4" HHCS
28	523012	1	TENSION HUB	66	109018	4	8 M - 1.25 X 25 MM HHCS
29	523119	1	SMALL SPROCKET W/HUB	67	363226	4	DISC SPRING WASHER
30	523138	2	3/4" CLAMP COLLAR	68	100273	4	5/16" - 18 X 1" HHCS
31	522084	1	LIFT MOUNT PLATE WELDMENT	69	363006	1	CASTER SPACER
32	523122	1	LIFT CHAIN	70	523043	1	LIFT CABLE
33	523123	1	CONNECTOR LINK	71	100271	1	5/16" - 18 X 3/4" HHCS
34	523120	1	LARGE SPROCKET W/HUB	72	522106	1	ROCKER AXLE PIN
35	523289	1	HYDRO DRIVE PULLEY	73	100260	2	1/4" - 20 X 2 1/2" HHCS
36	523216	2	FAN COVER	74	523049	1	RADIATOR OVERFLOW HOSE
37	523109	1	LIFT TENSION SPRING				

Notes:



HYDROSTATIC AXLE ASSEMBLY

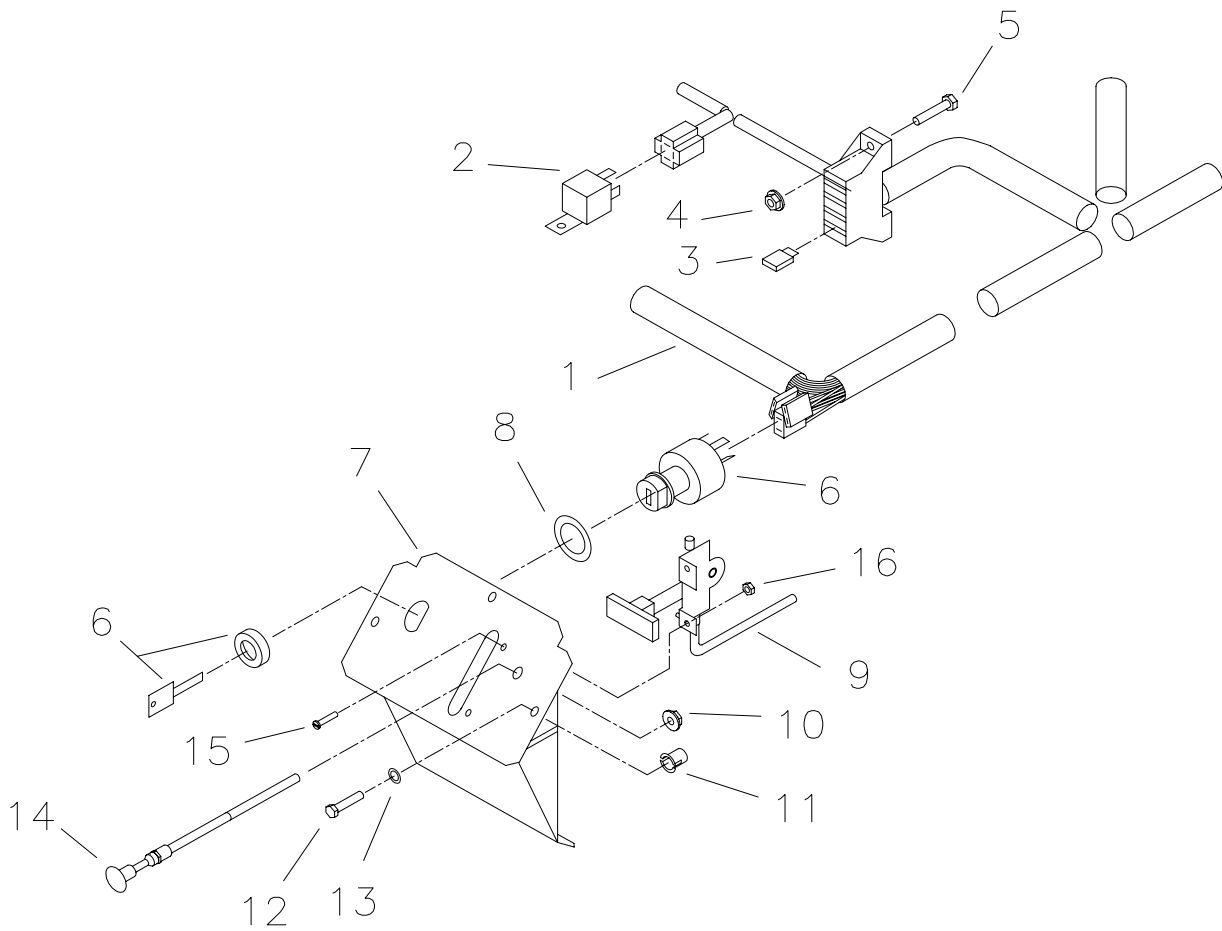
#	P/N	QTY	DESCRIPTION	#	P/N	QTY	DESCRIPTION
1	453064	2	WHEEL HUB	37	523277	1	IDLER SPACER
2	523306	2	20" WHEEL & TIRE	38	253059	1	ENGAGEMENT BUSHING
	523290	2	RIM WITH VALVE STEM	39	523048	1	PUMP IDLER SPRING
	523291	2	20" TIRE	40	523144	2	NEUTRAL PIVOT BUSHING
3	103023	10	1/2" - 20 UNF LUG NUT	41	107012	2	1/4 X 1" WOODRUFF KEY
4	104511	2	3/4" - 16 UNF HEX NUT	42	107003	2	1/8 X 1/2" WOODRUFF KEY
5	106763	2	1/8" X 1 1/4" COTTER PIN	43	107008	2	3/16 X 5/8" WOODRUFF KEY
6	522038	2	AXLE MOUNT	44	104255	8	1/4" - 20 NYLOC NUT
7	523262	2	COAST TAB	45	523143	2	BEARING SPACER
8	523058	2	RETURN ADAPTOR	46	453081		.312 ROD END (F)
9	523264	2	COAST LOCK	47	363117	2	TENSION SPRING
10	523303	2	OIL FILTER - TRANSAXLE	48	100301	1	3/8" - 16 X 3 1/4" HHCS
11	523155	4	PARK LINK	49	100280	1	5/16" - 18 X 2 3/4" HHCS
12	523060	1	RH FEED ADAPTOR	50	105257	1	5/16" FLAT WASHER
	523059	1	LH FEED ADAPTOR	51	109001	4	5/16" - 18 WHIZLOCK
13	523070	2	FAN HUB	52	100274	6	5/16" - 18 X 1 1/4" HHTB
14	523289	2	HYDROSTAT DRIVE PULLEY	53	105260	6	3/8" STANDARD FLAT WASHER
15	103293	2	5/16" - 18 X 3/8" SET SCREW	54	109007	2	3/8" - 16 WHIZLOCK NUT
16	522049	2	PUMP ARM	55	100293	2	3/8" - 16 X 1 1/4" HHCS
17	523142	2	NEUTRAL BEARING	56	100005	2	1/4" - 20 X 1 1/4" HHCS
18	523252	1	BELL CRANK RISER - LH	57	105004	10	1/4" LOCKWASHER
	523254	1	BELL CRANK RISER - RH	58	253025	2	RETAINING WASHER
19	523157	1	CONTROL ROD - RH	59	100260	2	1/4" - 20 X 2 1/2" HHCS
20	522051	1	RH NEUTRAL ARM	60	109009	2	#10 - 24 X 3/4" HHCS
	522053	1	LH NEUTRAL ARM	61	109006	2	#10 - 24 WHIZLOCK NUT
21	523260	1	MID FRAME BRACE	62	100004	2	1/4" - 20 X 1" HHTB
22	522076	1	HYDRO MID FRAME	63	100252	8	1/4 - 20 X 3/4" HHCS
23	454012	1	UPPER CONTROL LINK ASSBLY	64	105269	1	3/4" FLAT WASHER SAE
24	363169	2	SMALL IDLER	65	104257	9	3/8" - 16 NYLOC NUT
25	252017	1	ENGAGEMENT ARM W/BUSHING	66	100306	4	3/8" - 16 X 5" HHCS
	252011	1	ENGAGEMENT ARM ONLY	67	104256	4	5/16" - 18 HEX NYLOC NUT
26	453082	2	5/16" ROD END (M)	68	109000	6	1/4" - 20 WHIZLOCK NUT
27	522068	1	BELL CRANK MOUNT - LH	69	100271	2	5/16" - 18 X 3/4" HHCS
	522070	1	BELL CRANK MOUNT - RH	70	100296	1	3/8" - 16 X 2 HHCS
28	523241	2	BELL CRANK CONTROL	71	105267	1	5/8" FLAT WASHER SAE
29	362033	1	BELL CRANK MOUNT	72	108500	3	5/8" - E- RING
30	523106	1	PUMP BELT	73	363097	1	TURNBUCKLE SPACER
31	523323	2	HYDRO FAN	74	100271	4	5/16" - 18 X 3/4" HHCS
32	523092	2	FAN RETAINER	75	105005	4	5/16" LOCKWASHER
33	106763	1	1/8 X 1 1/4" COTTER PIN	76	100256	2	1/4" - 20 X 1 1/2" HHCS
34	522058	1	PARK SHAFT	77	100301	1	3/8" - 16 X 3 1/4" HHCS
35	522044	1	LOWER FAN GUARD	78	104752	6	5/16" - 24 JAM NUT
36	523026	1	HYDRO TRANSAXLE - RH	79	100296	4	3/16" - 16 X 2" HHCS
	523027	1	HYDRO TRANSAXLE - LH				

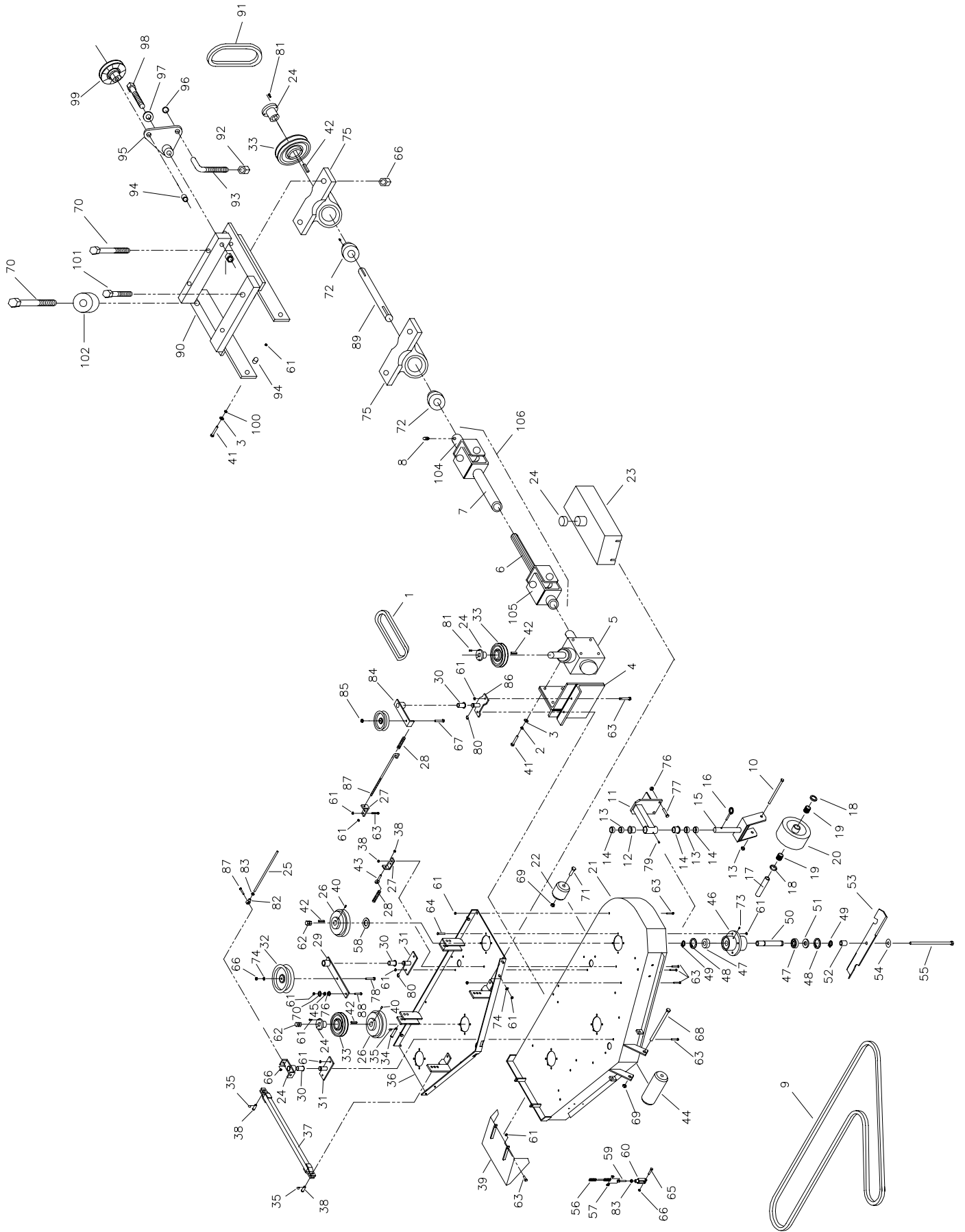
Notes:

CONTROL ASSEMBLY

#	P/N	QTY	DESCRIPTION	#	P/N	QTY	DESCRIPTION
1	523284	1	WIRE HARNESS	9	523038	1	THROTTLE CABLE
2	523042	2	RELAY	10	109008	1	3/8" - 24 WHIZLOCK NUT
3	523147	1	10 AMP FUSE	11	753037	4	NUT RETAINER
	523146	1	15 AMP FUSE	12	100004	4	1/4" - 20 X 1" HHTB
	523145	1	20 AMP FUSE	13	105004	4	1/4" LOCK WASHER
4	109006	1	#10 - 24 WHIZLOCK NUT	14	523037	1	CHOKE CABLE
5	109009	2	#10 - 24 X 3/4" HHCS	15	101039	2	#10 - 24 X 5/8" MACHINE SCREW
6	523035	1	IGNITION SWITCH	16	104252	2	#10 - 24 HEX NYLOC NUT
7	523208	1	CONTROL PANEL	17	523313	1	KEY
8	523286	1	SWITCH RETAINER				

Notes:





PTO ASSEMBLY

#	P/N	QTY	DESCRIPTION	#	P/N	QTY	DESCRIPTION
1	523366	1	GEAR BOX BELT	28	523327	2	IDLER SPRING
2	105005	4	5/16" LOCK WASHER	29	522016	1	IDLER ARM
3	105258	6	5/16" STANDARD FLAT WASHER	30	523111	3	3/4" PLASTIC BUSHING
4	522121	1	GEAR BOX SUPPORT	31	523324	1	4" IDLER - DECK
5	523314	1	GEAR BOX	32	36364	1	ENGAGEMENT IDLER
6	523416	1	YOKE SHAFT	33	363216	3	TAPER LOCK SHEAVE
7	523417	1	YOKE TUBE	34	523242	2	CLEVIS PIN - LONG
8	103295	4	3/8" - 16 X 1/2" SETSCREW	35	523244	4	#3 HAIR PIN COTTER
9	523108	1	BLADE BELT	36	522008	1	52" SUB-PLATE
10	100339	1	1/2" - 13 X 6" HHCS	37	522040	2	DECK ARM WELDMENT
11	322007	1	CASTER SUPPORT W/BUSHING	38	523243	4	CLEVIS PIN - SHORT
12	363007	2	FLANGE BEARING	39	482017	1	GRASS DEFLECTOR
13	104259	1	1/2" - 13 NYLOC NUT	40	103293	6	5/16" - 18 X 3/8" SETSCREW
14	363006	4	SPACER	41	100274	6	5/16" - 18 X 1 1/4" HHCS
15	522022	1	DECK STRUT	42	363242	3	BLADE SPINDLE KEY
16	109020	1	7/16 X 1 3/4" QUICK PIN	43	363080	1	RIGHT HAND EYE BOLT
17	363307	2	AXLE TUBE	44	603023	1	ANTI-SCALP ROLLER
18	523434	4	OIL LITE BUSHING	45	109001	1	5/16" - 16 WHIZLOCK
19	523433	2	ROLLER BEARING	46	363053	3	BLADE SPINDLE HOUSING
20	523432	2	DECK CASTER WHEEL	47	363350	6	BALL BEARINGS
21	522004	1	52' DECK	48	108509	6	RETAINING RING - LARGE
22	523084	2	REAR DECK ROLLER	49	108507	6	RETAINING RING - 1"
23	522012	1	BELT SHIELD - RH	50	363058	3	BLADE SPINDLE
	522014	1	BELT SHIELD - LH	51	363060	3	DUST CAP
24	363215	3	TAPER LOCK HUB	52	373086	3	BLADE SPACER
25	523103	2	WATTS LINK	53	363291	3	18" BLADE
26	523095	3	OFF SET PULLEY	54	105268	3	5/8" FLAT WASHER
27	523094	1	SPRING MOUNT DECK	55	100353	3	5/8" X 9 1/2" HHCS - DECK

Notes:

PTO ASSEMBLY

#	P/N	QTY	DESCRIPTION	#	P/N	QTY	DESCRIPTION
56	523121	2	CHAIN	82	523104	4	ROD END - WATTS
57	523123	2	CONNECTOR LINK	83	109008	4	3/8" - 24 WHIZLOCK NUT
58	363121	3	1" WHEEL WASHER	84	522119	1	DECK TENSIONER WELDMENT
59	523125	2	ANCHOR STUD	85	523329	1	FLAT IDLER
60	363192	2	LARGE YOKE	86	522104	1	IDLER PIVOT
61	104256	34	5/16" - 18 NYLOC NUT	87	523360	1	SPRING HOOK
62	104510	3	BLADE NUT	88	100275	1	5/16" - 16 X 1 1/2" HHCS
63	100273	21	5/16" - 18 X 1" HHCS	89	523355	1	1" POWER SHAFT
64	100274	16	5/16" - 18 X 1 1/4" HHCS	90	522123	1	POWER SHAFT MOUNT
65	100294	2	3/8" 16 X 1 1/2" HHCS	91	523365	1	CLUTCH BELT
66	104257	1	3/8" NYLOC NUT	92	104257		3/8" - 16 NYLOC NUT
67	100295		3/8" - 16 X 1 3/4" HHCS	93	523362	1	CLUTCH TENSION ROD
68	100352	1	5/8" X 9" HHCS	94	363097	2	TURNBUCKLE SPACER
69	104261	1	5/8" NYLOC NUT	95	522117	1	CLUTCH TENSIONER WELDMENT
70	100301	2	3/8" - 16 X 3 1/4 HHCS	96	363177	1	3/8" PUSH NUT
71	100346	2	5/8" - 11 X 4 1/2" HHCS	97	105260		3/8" FLAT WASHER
72	523426	2	1" BALL BEARING	98	100298		3/8" - 16 X 2 1/2" HHCS
73	111002	3	3/16" DRIVE ZERK	99	523364	1	CLUTCH TENSIONER PULLEY
74	105260	10	3/8" FLAT WASHER	100	253075	2	SPACER
75	523357	2	SHAFT BEARING	101	100297	2	3/8" - 16 X 2 1/4" HHCS
76	109007	11	3/8" - 16 WHIZLOCK NUT	102	373089	2	RETAINING WASHER
77	100292	6	3/8" - 16 X 1" HHCS	103	523415	X	CROSS (U JOINT)
78	100296	1	3/8" - 16 X 2 HHCS	104	523414	X	1" YOKE
79	111001	1	GREASE ZERK	105	523418	X	3/4" YOKE
80	108509	2	E-RING	106	523356	X	DRIVE SHAFT KIT COMPLETE
81	100252	1	1/4" - 20 X 3/4" HHCS				

Notes:

RIDER DECAL LIST

P/N	QTY	DESCRIPTION
363001	1	CAUTION - DISCHARGE
363023	2	DANGER DECAL
363038	1	CAUTION - INSTRUCTION LABEL
363214	1	PRO-LINE DECAL
363232	1	ENCORE LOGO
363290	2	REFUELING CAUTION LABEL
453009	2	ENCORE W/LOGO
453010	1	OIL LABLE
523018	1	IGNITION SWITCH DECAL
523021	1	PTO DECAL
523023	1	PARK BRAKE DECAL
523020	1	LIGHT DECAL
523160	1	THROTTLE DECAL
523301	1	LIFT ASSIST DECAL
523257	2	TENSION DECAL

Belts for Pro-Line Riders

Belts Required for 52K550R **without** Lift Kit

523108	Blade Drive Belt
523107X	Deck Drive Belt
523106	Pump Drive Belt

Belts Required for 52K555G **without** Lift Kit

523365	Clutch Belt
523366	Gearbox Belt

Belts Required for 52K550R **with** Lift Kit

523108	Blade Drive Belt
523349X	Deck Drive Belt
523348	Pump Drive Belt

Belt Required for 52K555G **with** Lift Kit

523374	Clutch Belt
523366	Gearbox Belt

Belts Required for 61K550R **without** Lift Kit

603050	Blade Drive Belt
523349X	Deck Drive Belt
523106	Pump Drive Belt

Belts Required for 61K550R **with** Lift Kit

603050	Blade Drive Belt
603053X	Deck Drive Belt
523348	Pump Drive Belt

Belts Required for 61K555G **without** Lift Kit

523365	Clutch Belt
603054	Gearbox Belt

Belts Required for 61K555G **with** Lift Kit

523374	Clutch Belt
603054	Gearbox Belt

CONVERSION SHEET EATON to ENCORE

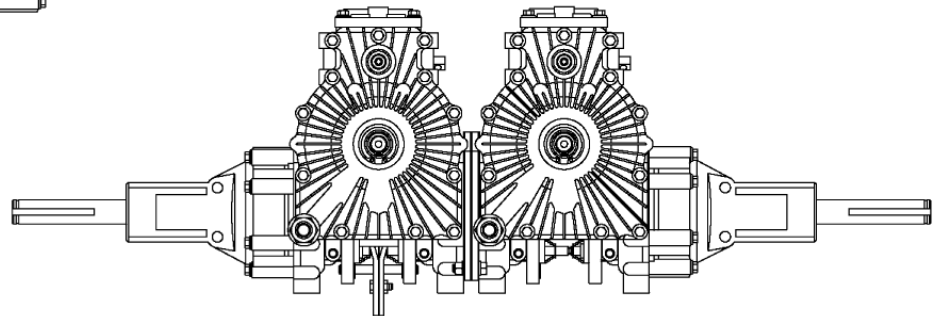
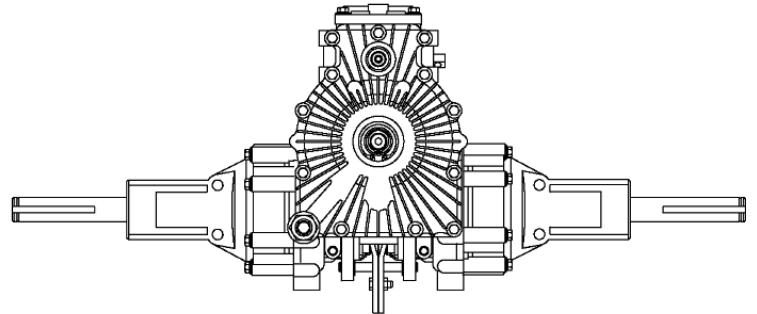
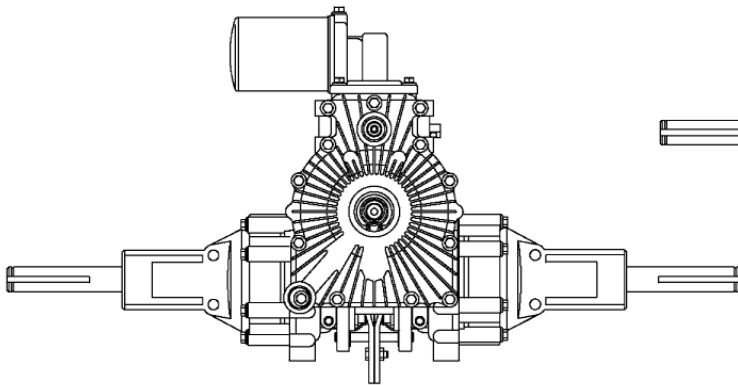
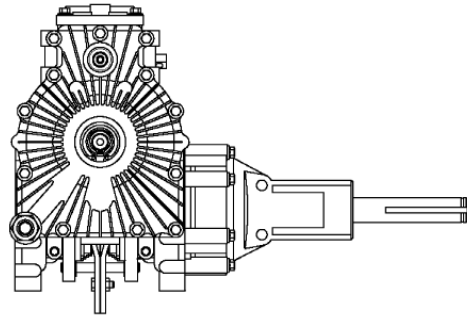
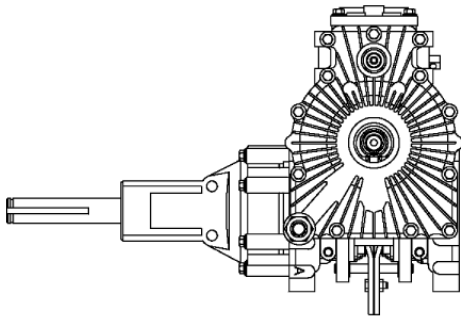
ENCORE PART #	DESCRIPTION	EATON PART #	ENCORE PART #	DESCRIPTION	EATON PART #
523303	OIL FILTER - TRANSAXLE	---	523400	PRIMARY GEAR	106174
523304	AXLE SEAL	103960	523401	PLANET GEAR	106167
523305	AXLE ASSY	106215-002	523402	SUN GEAR SECOND	104984
523381	PUMP ROTOR	106939	523403	SECONDARY CARRIER	106137
523382	CAM RING	106937	523404	PLANET GEAR SECOND	106204
523383	CONTROL SHAFT	104935	523405	QUAD SEAL	106450
523384	DUMP VALVE SPRING	104684	523406	RELIEF VALVE SPRING	104421
523385	DUMP VALVE BRACKET	105660	523407	RELIEF BALL	95881-038
523386	ORDER P/N 523497 & 523498	106054	523408	SEAL INPUT SHAFT	93955
523387	COVER GASKET	105327	523409	SHAFT INPUT S/A	106073
523388	O-RING DUMP VALVE	8761-013	523410	BEARING AXLE	104928
523389	AXLE HOUSING GASKET	106129	523411	OUTPUT AXLE SHAFT	109216-002
523390	FILTER BASE GASKET	104392	523419	SEAL SHAFT	103960
523391	FILTER BASE (L)	104386	523420	RETAINING RING 1"	103983-098
523392	FELT GASKET	106784	523431	PUMP COVER ASSY S/A	106071
523393	REACTION PLATE	106414	523466	O-RING - DAMPER	UNKNOWN
523394	BACK UP PLATE	106104	523468	BACK-UP RING	UNKNOWN
523395	DRIVE	104107	523469	PISTON (EATON)	104962
523396	MOTOR ROTOR	108109	523491	CONTROL SHAFT SEAL	93891 or 93895
523397	INSERT	103621	523026	RH HYDROSTAT	771-064
523398	RING GEAR	106027	523027	LH HYDROSTAT	771-063
523399	SUN GEAR FIRST	104338	523514	WEARPLATE	111304

Note:

The above parts are the only parts Encore has for service parts for the Eaton Transaxle. Any parts not listed you will need to contact Eaton Directly.

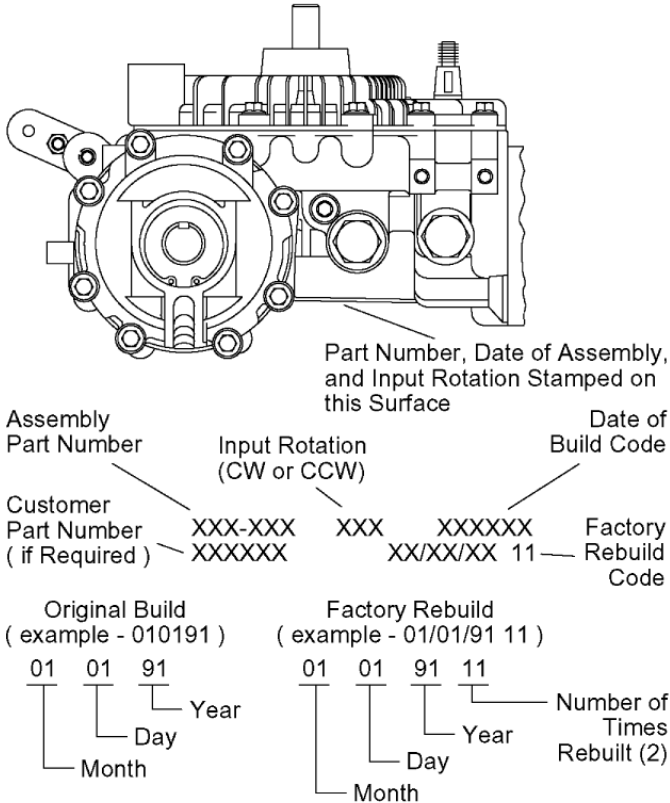


Repair Information



751, 851, 771, and 781 Transaxle

1 The following repair information applies to the Eaton 751, 851, 771, and 781 series hydrostatic transaxles.



2 The transaxle identification information is located opposite the input shaft, on the back of the housing assembly.

3 The build code of the transaxles identifies the month, day and year of the transaxle manufacture. This information is found in the same area as the identification code.

4 When ordering replacement parts for a transaxle, the part(s) order must include the part name, part number, quantity of parts and also the transaxle model number, input rotation and date code.

Transaxles 751, 851, 771, and 781

5 The following procedures describe complete and disassembly and reassembly of the transaxle.

The level of cleanliness maintained while servicing the transaxle could affect its perfor-

mance. Work in a clean area. After disassembly, wash all parts with clean solvent and blow the parts dry with air. Inspect all mating surfaces. Replace any damaged parts that could cause internal leakage. Do not use grit paper, files or grinders on finished parts.

Note: Whenever a transaxle is disassembled, our recommendation is to replace all seals. Lubricate the new seals with petroleum jelly before installation. Use only clean, recommended hydraulic fluid on the finished surfaces at reassembly.

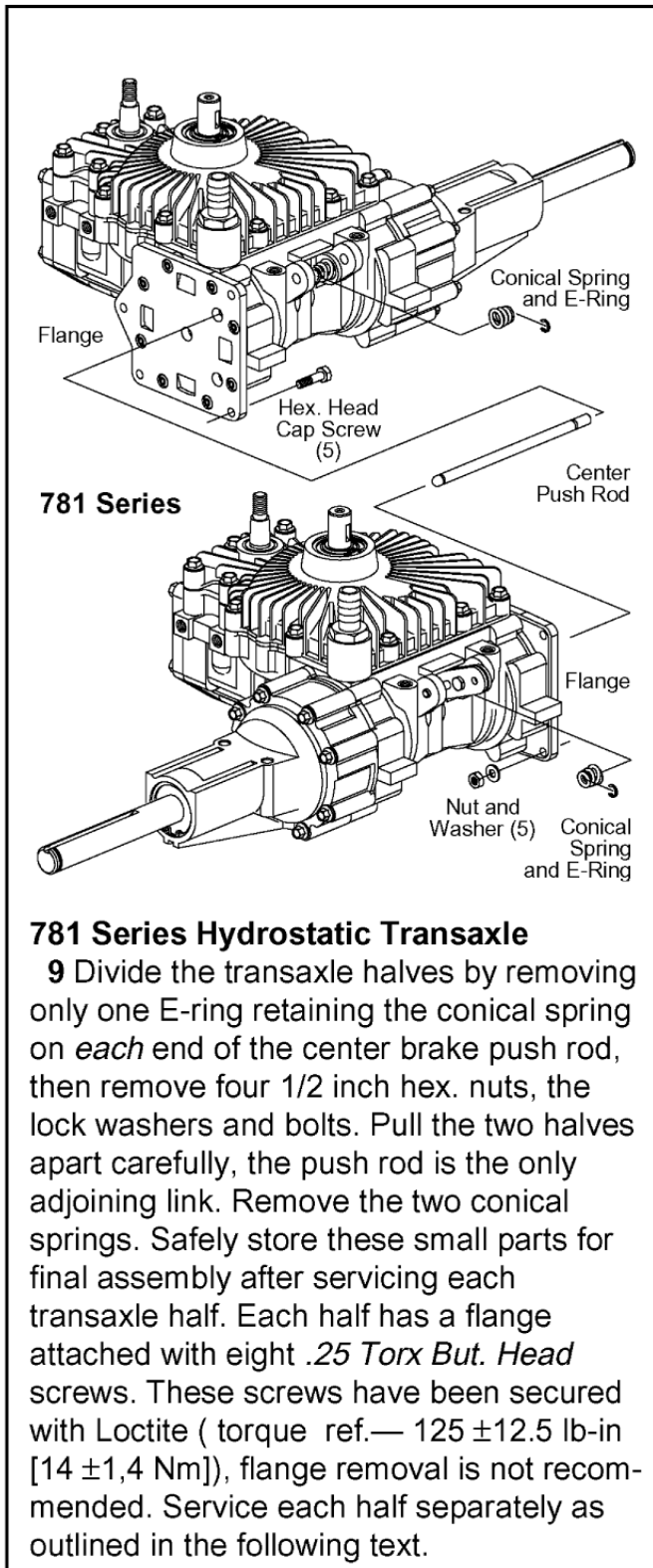
6 The following tools are required for disassembly and reassembly of the transaxle.

- 3/8 in. Socket or End Wrench
- 1 in. Socket or End Wrench
- Ratchet Wrench
- Torque Wrench 300 lb-in [34 Nm]
- 5/32 Hex Wrench
- Small screwdriver (4 in [102 mm] to 6 in. [150 mm] long)
- No. 5 or 7 Internal Retaining Ring Pliers
- No. 4 or 5 External Retaining Ring Pliers
- 6 in. [150 mm] or 8 In. [200 mm] C-clamp
- Piece of Pipe or Hydraulic Tubing (1 in. O.D. x 6 inches long)
- Piece of Pipe or Hydraulic Tubing (1-1/8 in. [29 mm] O.D. x 6 in. [150 mm] long)
- Small Arbor or Hydraulic Press
- 3 or 4 Large Rubber Bands
- Light Petroleum Jelly (such as Vaseline)

7 Seal all open ports before cleaning. Thoroughly clean the transaxle exterior.

Transaxle with Charge Pump
8 After draining the transaxle, use your hand or a filter wrench to remove the filter from the filter base.

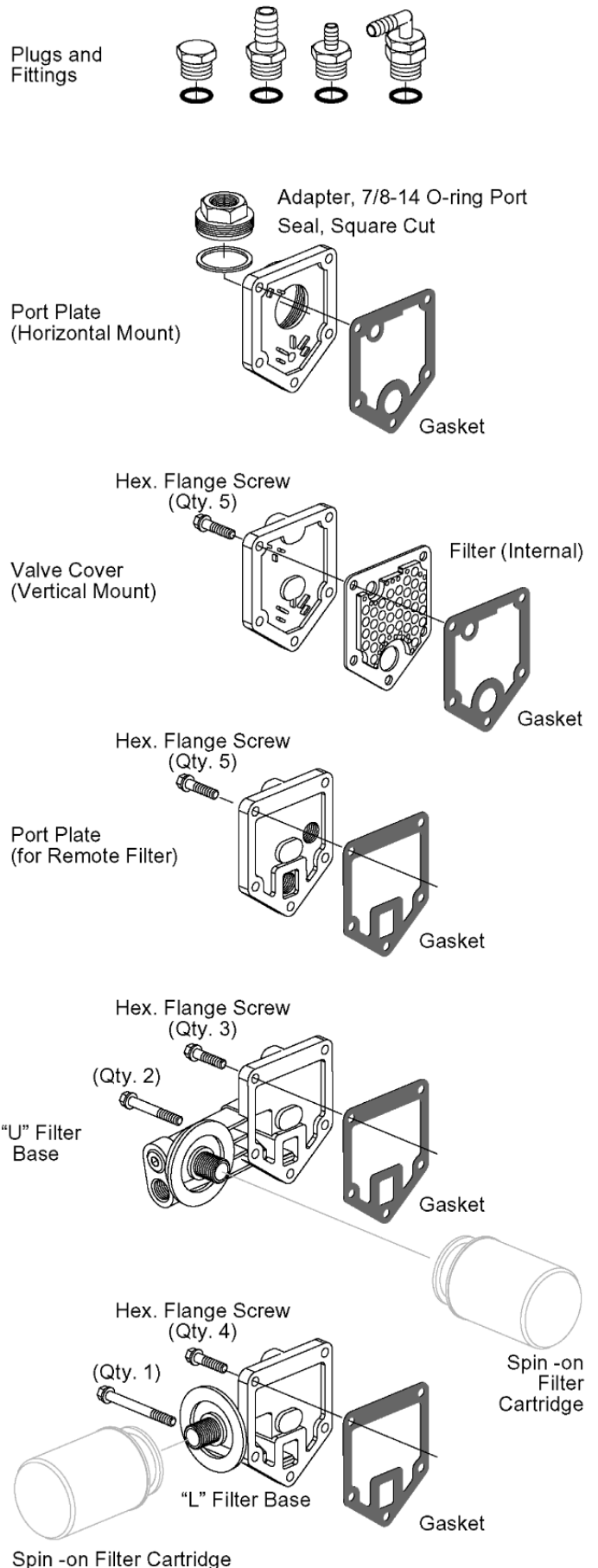
Note: It is best to drain the transaxle through the case drain port with the input shaft in the down position.

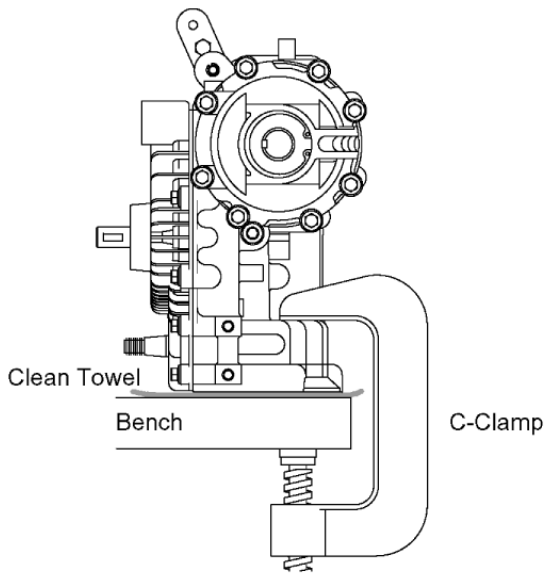


- 10** Using a 3/8 inch socket or end wrench, remove the cap screws from ...
 ... filter base.
 ... valve cover and internal filter.
 ... port plate.

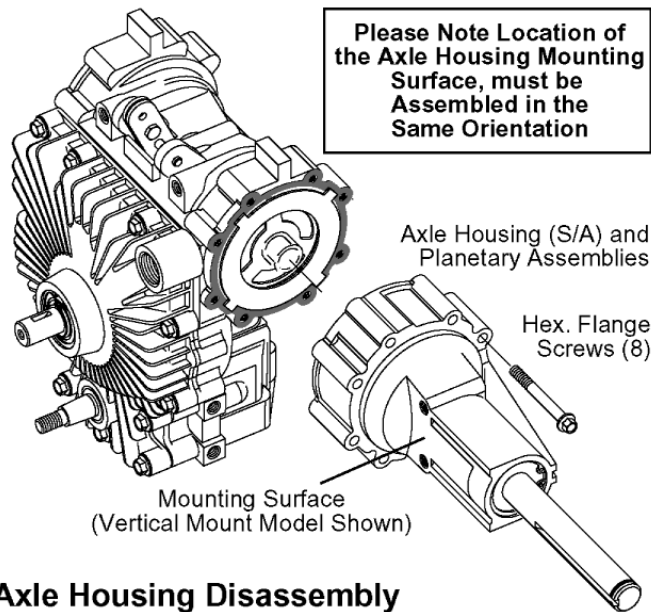
11 Remove gasket.

Note: This gasket may be on the part just removed or on the housing assembly.





12 Position transaxle with this gasket surface toward the bench. Place a clean towel between the transaxle and the bench. This towel protects the sealing surface from possible damage during repositioning. Use a 6 inch [150 mm] to 8 inch [200 mm] C-clamp to secure the transaxle to a suitable work surface. Be careful not to over tighten the C-clamp when securing the transaxle.

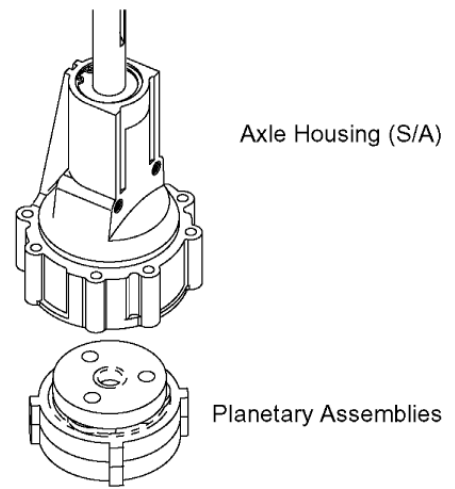


Axle Housing Disassembly

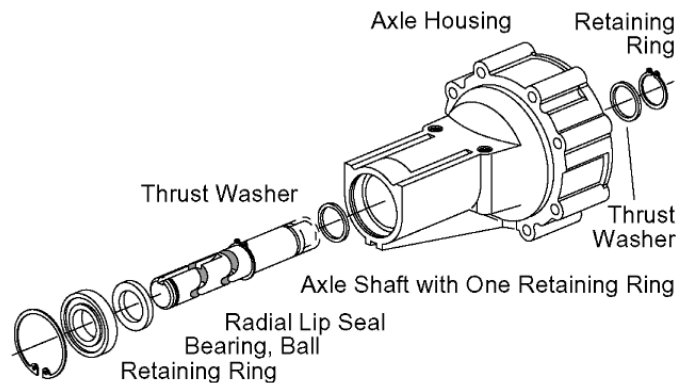
13 With the transaxle secure, use a 3/8 inch socket or end wrench to remove the flange screws from one (A-side or B-side) axle housing assembly.

14 After removing the flange screws, carefully remove the axle housing assembly from the housing assembly.

Caution: Retain the planetary assemblies in the axle housing assembly during removal.



15 To disassemble the axle housing assembly, carefully position the axle housing assembly on a clean flat surface, then separate axle housing from the planetary assemblies as shown.



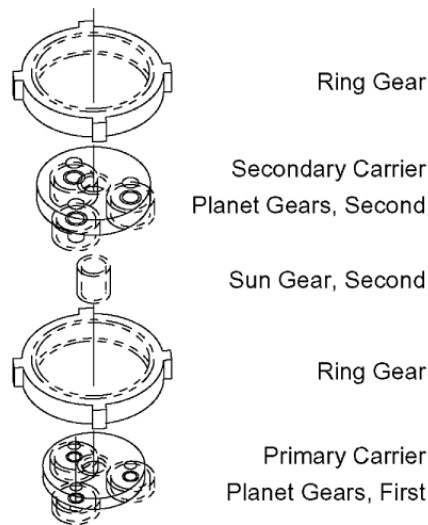
16 Position the axle housing assembly with the output end of the axle shaft in the up position. Using a No. 5 or 7 internal retaining ring pliers, remove the ball bearing retaining ring from the axle housing.

17 Re-position the axle housing with the splined end of the axle in the up position. Using a No. 4 or 5 external retaining ring pliers, remove the retaining ring and thrust washer from the axle shaft.

18 Remove the axle from the axle housing by using a small press or by tapping the splined end of the axle shaft with a plastic head hammer. This will dislodge the seal and bearing from the axle housing.

19 After separating the axle shaft from the axle housing, remove the ball bearing, seal and thrust washer from the axle shaft. The thrust washer may be in the axle housing.

Note: The retaining ring remaining on the axle shaft need not be removed.



20 To disassemble the planetary assemblies for inspection and cleaning, first remove the ring gear (from the secondary carrier/ planet gears).

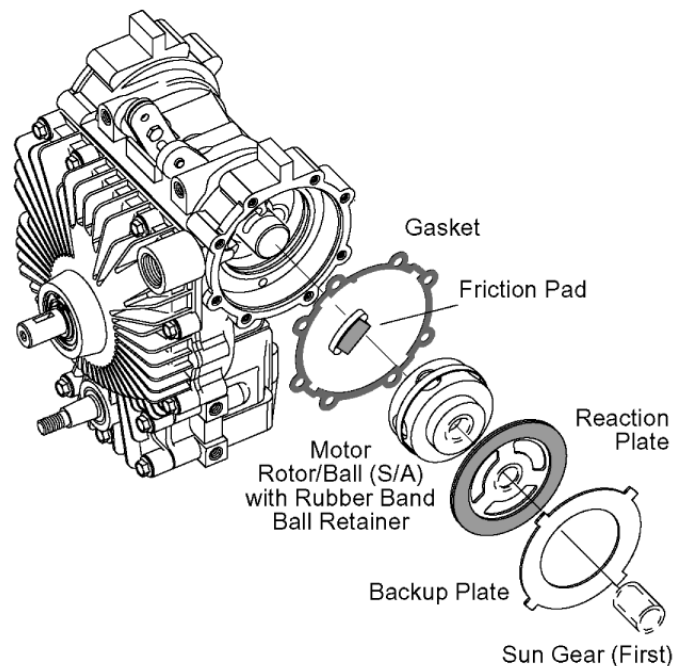
21 Next, putting a slight squeeze on the secondary carrier planet gears, remove the three secondary planet gears, and carrier.

22 Turn the assembly over and remove the secondary planet gears for inspection and cleaning.

23 Remove the sun gear and remaining ring gear.

24 Again, putting a slight squeeze on the remaining carrier planet gears, remove planet gears, and carrier from the backup plate.

25 Shown above are both the primary and secondary carrier assemblies. The planet gears may be removed for inspection and cleaning.



26 Next, remove the reaction plate from the primary sun gear.

27 Remove the primary sun gear from the motor rotor assembly.

28 Remove the small friction brake pad assembly from its recessed pocket located in the axle housing.

29 Shown in previous drawing are the three major parts used in the Eaton transaxle wet brake assembly, the friction pad assembly, reaction plate and backup plate. When the brake is applied, the rotating reaction plate is squeezed between the stationary friction pad and the backup plate.

30 Remove the axle housing assembly gasket.

Note: This gasket may have remained on the axle housing.

31 Normally any further disassembly of the brake levers, push rods and etc. is not necessary nor recommended. The brake lever shims located between the two brake levers is used to adjust the brake lever movement. This adjustment was made during the initial transaxle assembly.

Note: Standard single handle brake arrangement shown.

Motor Rotor Disassembly

32 Important: Be extremely careful when removing the motor rotor assembly. The ball pistons are spring loaded in the bores and must remain intact because each ball piston is matched to its respective bore.

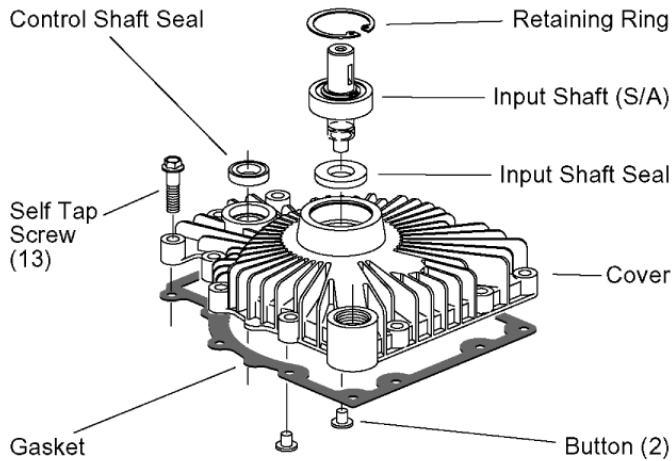
The best way to remove the motor rotor assembly is to place a separate motor race on top of the existing motor race in the housing assembly. Hold the separate race securely in position. Then carefully pull the motor rotor assembly outward until the ball pistons are fully engaged in the groove located in the center of the separate race. Carefully remove the rotor assembly and race together as a set, handling the motor rotor assembly only.

Note: If a separate motor race is not available, work a wide rubber band around the outside of the motor rotor to hold the ball pistons in their bores.

33 It is essential that the ball pistons be retained in their bores during handling. This is

especially true for the motor rotor(s), as the motor ball pistons are spring loaded in the bores.

Note: The remaining transaxle axle housing assembly, if applicable, can be serviced at this time (ref. steps 12-34) .



34 Reposition the housing assembly. Using a 3/8 inch socket or end wrench, remove the self tap screws from the cover assembly.

Note: One self tap screw is located in the case drain port.

35 With all self tap screws removed (13), carefully separate and remove the cover from the housing assembly.

36 Turn the cover assembly over and remove the two buttons.

Note: These two buttons may have dropped out into the housing assembly during removal of the cover.

37 Turn the cover assembly back over and using a No. 5 or 7 internal retaining ring pliers, remove the input shaft retaining ring.

38 Reposition and support the cover allowing room for shaft removal. With the input shaft in the down position, use a plastic head hammer or press to remove the input shaft assembly from the cover.

39 No further disassembly of the shaft and bearing assembly is required as they are serviced as an assembly.

40 Using a screwdriver or similar tool, drive the input shaft seal from the cover.

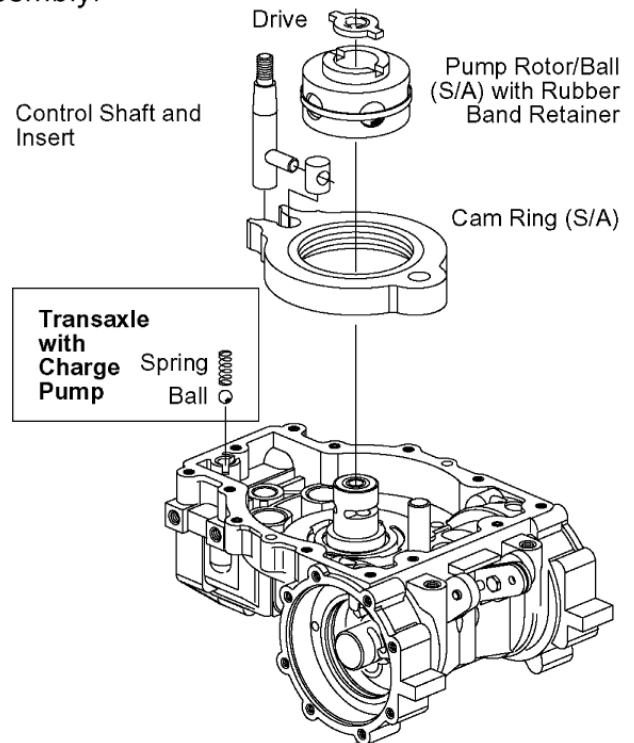
41 To remove the control shaft seal, reposition the cover. Using a small screwdriver or similar

tool, pry the control shaft seal from the cover.

42 Remove the cover gasket from the housing.

Note: The gasket may have remained on the cover.

43 Remove the drive from the pump rotor assembly.



Transaxle with Charge Pump

44 Remove the charge pressure relief valve spring from the housing.

45 Using a pencil magnet or similar tool, remove the charge pressure relief ball from its seat in the housing.

46 Remove the control shaft and insert from the housing and cam ring assembly.

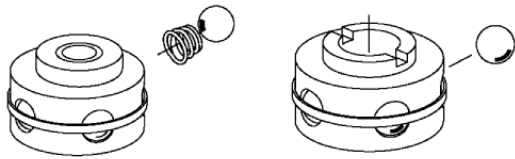
47 Remove the cam ring insert from the control shaft.

48 Remove the cam ring assembly from the housing.

49 Carefully remove the pump rotor assembly from the housing, making sure the ball pistons are not dislodged from their bores.

Important: It is essential that the pump rotor assembly remain intact during handling as each ball piston is matched to its respective bore.

50 Install a wide rubber band around the pump rotor to retain the ball pistons in their bores.



Motor Rotor/Ball (S/A)

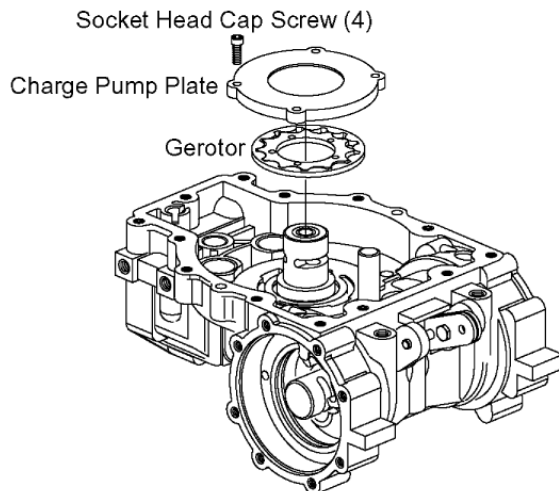
Pump Rotor/Ball (S/A)

Pump and Motor Rotor Inspection

51 Disassemble and inspect the rotor assembly in the following manner. Remove the piston balls from the rotor, one at a time, working clockwise from the letter stamped in the rotor face. Place the piston balls in a prepared container (use a container such as an egg carton or ice cube tray to hold the balls).

Note: The balls must be replaced in the same bores from which they were removed because they are all select fit.

Check for broken or collapsed springs in the motor rotor. When broken or collapsed springs are found with no other irregularities, the springs may be replaced individually without replacing the complete motor rotor assembly. Inspect the piston balls. They must be smooth and completely free of any irregularities. Inspect the rotor bores, rotor bushing and pintle journals for irregularities or excessive clearance. The ball piston to rotor bore clearance is select fit electronically from .0002 inch [.005 mm] to .0006 inch [.015 mm]. When irregularities are noted, replace the complete rotor assembly. Install the ball pistons in their matching bores. Hold them in place with a rubber band or separate race.



Transaxle with Charge Pump

52 To inspect the charge pump assembly,

use a 5/32 hex key to remove the cap screws from the charge pump plate.

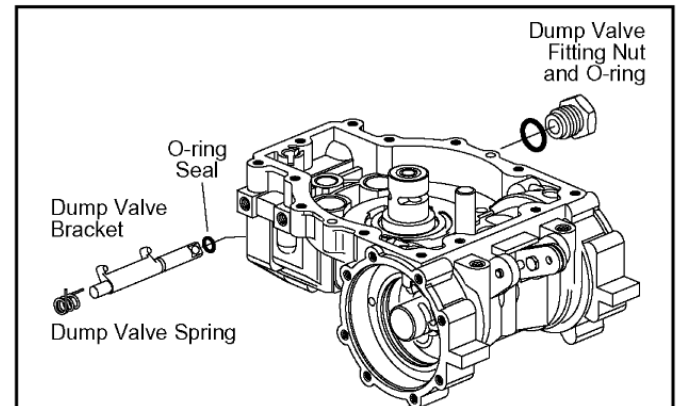
53 Remove the charge pump plate from the housing.

54 Remove the charge pump gerotor from the housing.

55 The pump and motor journals and cam ring dowel cannot be removed once they have been installed in the housing.

Note: Inspect the pump and motor journals for any irregularities. If any are found, the housing must be replaced.

56 In most cases, we do not recommend removal of the dampening pistons for inspection or cleaning. Normal flushing should be all that is required for cleaning.



Transaxle with Dump Valve

57 To remove the dump valve assembly, first use a 1 inch socket or end wrench to remove the dump valve nut from the housing.

58 Remove the o-ring from the dump valve nut.

59 After removing the dump valve nut, remove the dump valve bracket and spring from the housing by sliding them over and lifting upward.

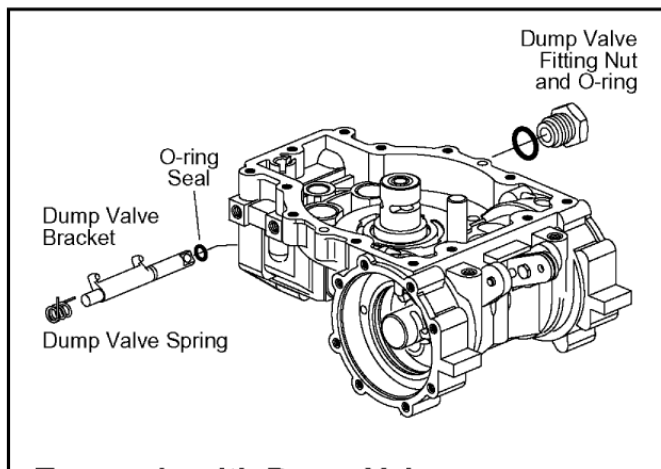
60 Remove the spring from the dump valve bracket.

61 Remove the o-ring from the dump valve bracket.

62 We do not recommend removal of the check valve assemblies for inspection or cleaning. Once again, normal flushing should be all that is required to clean the check valves.

Transaxle Reassembly

63 Before reassembling the transaxle, clean all parts and assemblies with clean solvent and blow them dry with compressed air. Inspect and replace all scratched or damaged parts. Replace all gaskets, seals and seal rings. Lubricate all seals with petroleum jelly (Vaseline) for retention during assembly. Freely lubricate all bearings and finished part surfaces with clean hydraulic fluid to provide lubrication at start-up.



Transaxle with Dump Valve

64 To reassemble the dump valve, first lubricate and install the o-ring in the groove located in the dump valve bracket.

65 Install the spring on the dump valve bracket. It should be installed with the right angle bend of the spring pointing inward, as shown here.

66 Install the spring and dump valve bracket in the housing.

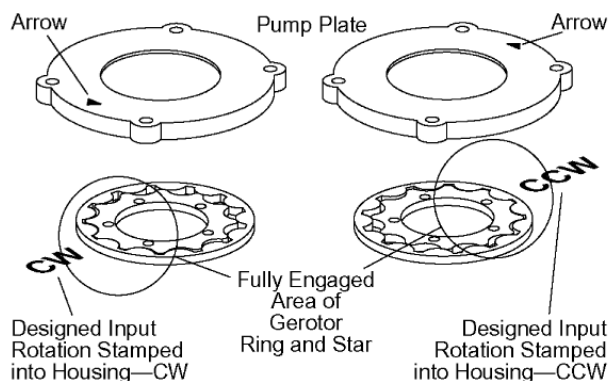
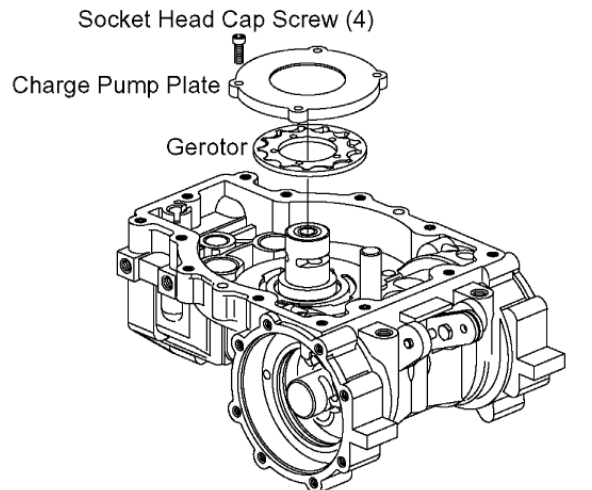
67 The spring is properly positioned when the longest leg points toward the check valve assembly.

68 Lubricate and install the o-ring around the dump valve nut.

69 Install the nut over the dump valve bracket, into the housing.

Note: Make sure you do not damage the dump valve o-ring during installation.

70 Using a 1 inch socket or end wrench, torque the dump valve nut to 150 lb-in [17 Nm].



Transaxle with Charge Pump

71 Install the gerotor on the housing.

Note: The gerotor ring and star have been marked with a dot on each, the ring and star can be placed with these marks up or down but both marks should be on the same side.

72 For easier assembly, rotate the gerotor outer ring to fully engage with the inner star. The fully engaged side of the gerotor should point towards the designed input rotation (CW or CCW as noted on the housing).

Note: The designed input rotation is stamped on the back side of the housing and also next to the gerotor on the inside.

73 Freely lubricate the gerotor with clean hydraulic fluid to provide lubrication at start-up.

74 The charge pump plate has a small arrow cast into the outer face of the plate.

At assembly, this arrow must face toward the input rotation designated in the housing.

Note: High pressure charge pump—gerotor and plate is a matched set and is not sold separately. Class II gerotor and plate are not a matched set.

75 Aligning the rotation arrow with the input rotation, install the pump plate over the gerotor.

76 Install the four cap screws in the pump plate finger tight.

77 The bottom side of the pump rotor assembly incorporates five drive pins. At assembly, these pins must be engaged with the inner star of the charge pump gerotor.

78 Lubricate and install the pump rotor assembly on the pump journal, engaging the drive pins with the inner star of the gerotor.

79 Rotate the pump rotor assembly several times to center the pump plate on the gerotor.

While continuing to rotate the pump rotor assembly, alternately tighten the charge pump plate cap screws to 49 lb-in [6 Nm].

80 Remove the rubber band from the pump rotor assembly. Install the cam ring assembly in the housing with the flush side of the cam ring facing outward.

81 Install the cam ring insert on the control shaft pivot dowel.

82 Install the control shaft assembly, first aligning the cam ring insert with the cam ring assembly and then with the housing.

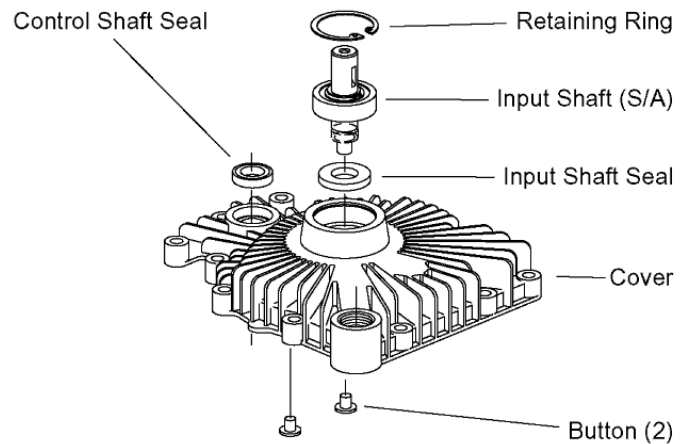
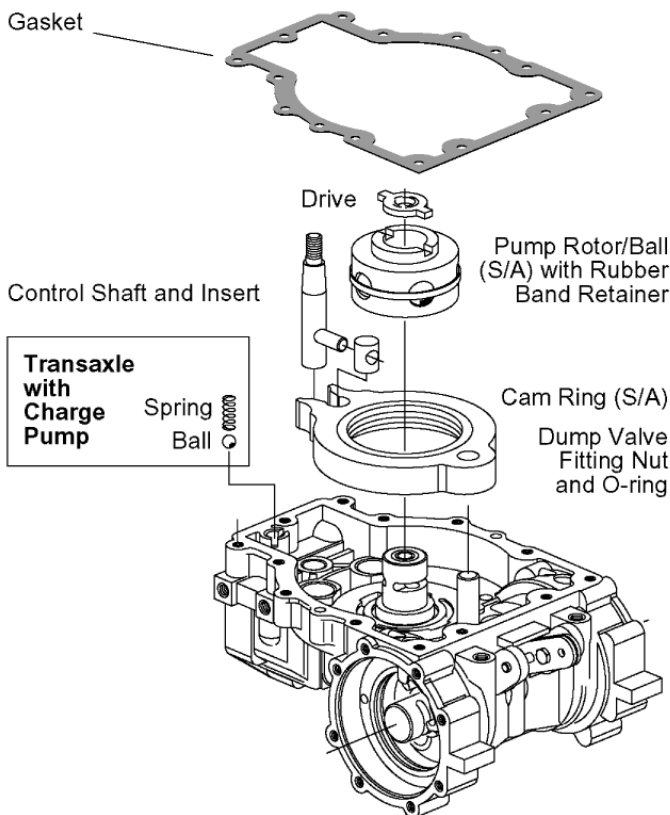
Transaxle with Charge Pump

83 Drop the charge pressure relief valve ball in its bore.

84 Install the charge pressure relief valve spring in its bore.

85 Install the drive in the pump rotor assembly.

86 Install the cover gasket on the housing assembly.



Cover Reassembly

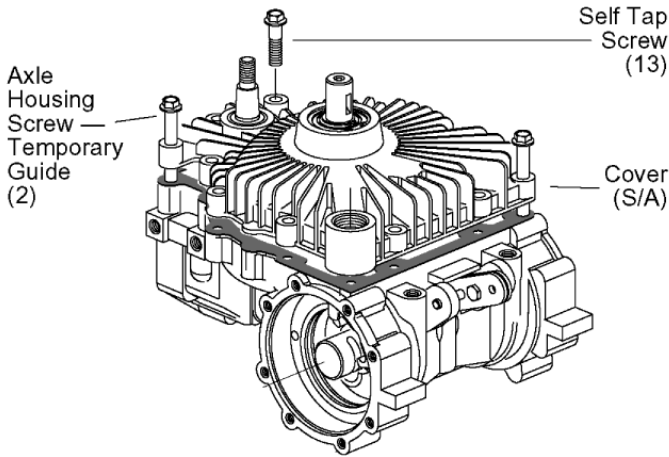
87 Lubricate and install the control shaft oil seal with the seal lip pointing inward. Press or drive the seal into the seal counterbore.

88 Lubricate and install the input shaft seal with the seal lip pointing inward. Press or drive the seal into the counterbore.

89 Press or drive the input shaft assembly into the cover.

90 Install the input shaft assembly retaining ring, making sure it is firmly seated in the retaining ring groove.

91 To help retain the buttons during assembly, apply a small amount of petroleum jelly to them. Install the buttons in the holes located in the cover assembly.



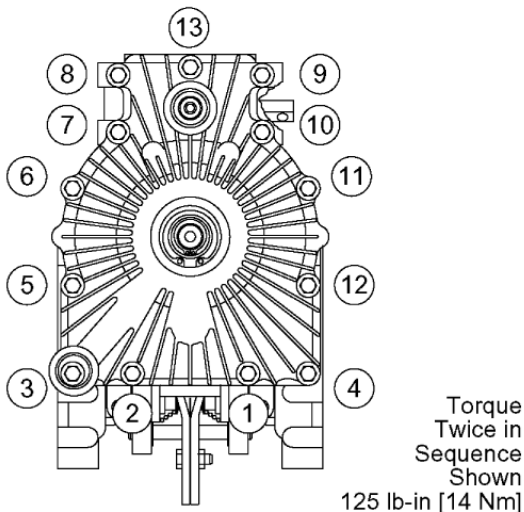
92 Install the cover assembly by carefully aligning it with the control shaft, cam ring pivot dowel and pump rotor drive.

Transaxle with Charge Pump

Caution: During installation of the cover assembly, be careful not to dislodge the charge pressure relief valve from its bore.

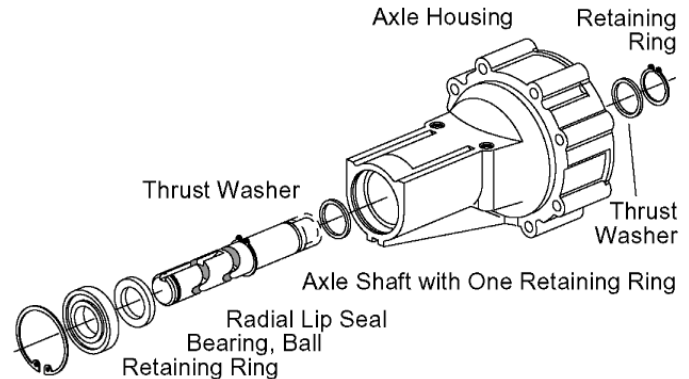
Note: Two axle housing flange screws may be used to help retain the cover, gasket and housing in position during assembly.

93 After engaging the control shaft and pivot dowel in the cover assembly, carefully rotate the input shaft to engage the pump rotor drive. When all mating parts are aligned and engaged, the cover assembly should fall into position on the housing assembly.



94 With the cover assembly in the proper position, remove the two alignment flange

screws (if used) and install the self tap screws (13), and alternately tighten to 125 lb-in [14 Nm]. Torque each screw a second time to compensate for gasket compression set.



Axle Housing Reassembly (one axle housing or two, use the same procedure for each).

95 Lubricate and install the thrust washer in the axle housing.

96 Lubricate and install the axle shaft into the axle housing.

97 Reposition the axle housing with the output end of axle pointing downward. Install the inner thrust washer and axle shaft retaining ring.

Important: The round-cornered side or die-rolled side of the retaining ring must point toward the axle housing.

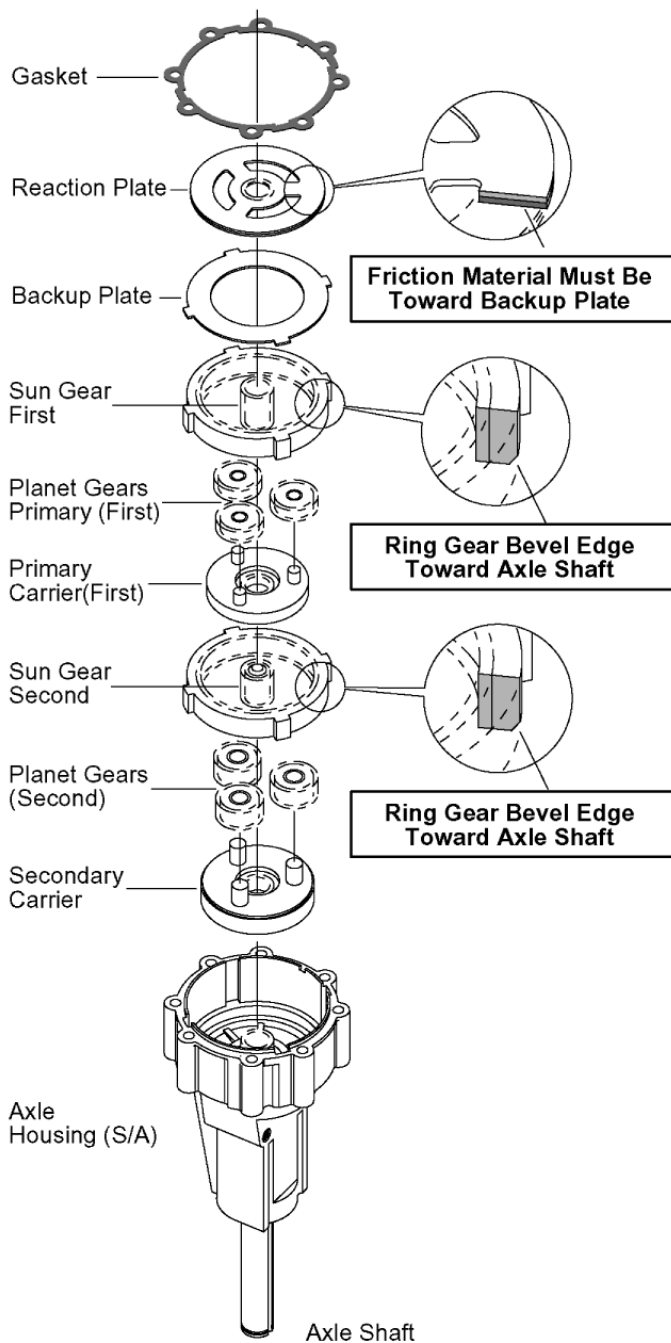
98 Reposition the axle housing with the output end pointing upward. Protecting the lip of the axle seal from the retaining ring groove and keyway, lubricate and install the seal with the lip pointing inward towards the axle housing.

99 Using a piece of pipe or hydraulic tubing (1.5 inch [38mm] O.D. x 6 inch [150mm] long), press the seal into the counterbore.

100 Again, using a piece of pipe or hydraulic tubing (1.125 inch [29mm] O.D. x 6 inch [150mm] long), press the ball bearing over the axle shaft and into the axle housing.

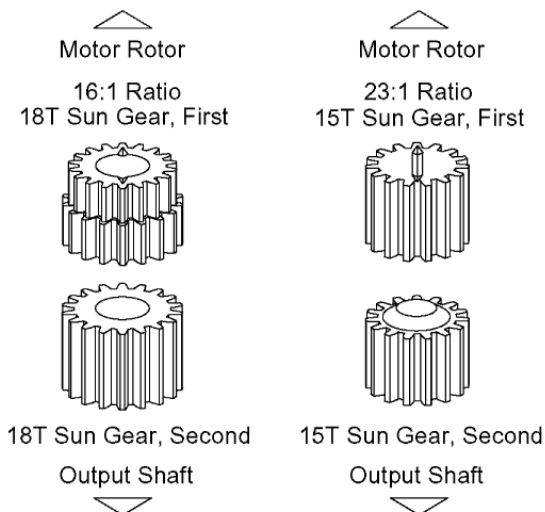
101 Using a pair of No. 5 or 7 internal retaining ring pliers, install the ball bearing retaining ring in the axle housing.

102 Lubricate and assemble the three planetary gears on the secondary carrier assembly.



- 103** Aligning the splines, install the secondary carrier assembly on the splined end of the axle shaft located in the housing assembly.
- 104** Please note that one side of each ring gear has a bevel on one side. This bevel side of the ring gear must be toward the output end of the axle shaft.
- 105** Install one of the two ring gears into the axle housing. Install by aligning the ears on the outside of the ring gear with the notches in the housing assembly.
- 106** Rotate the secondary carrier assembly planet gears to align with the ring gear teeth.

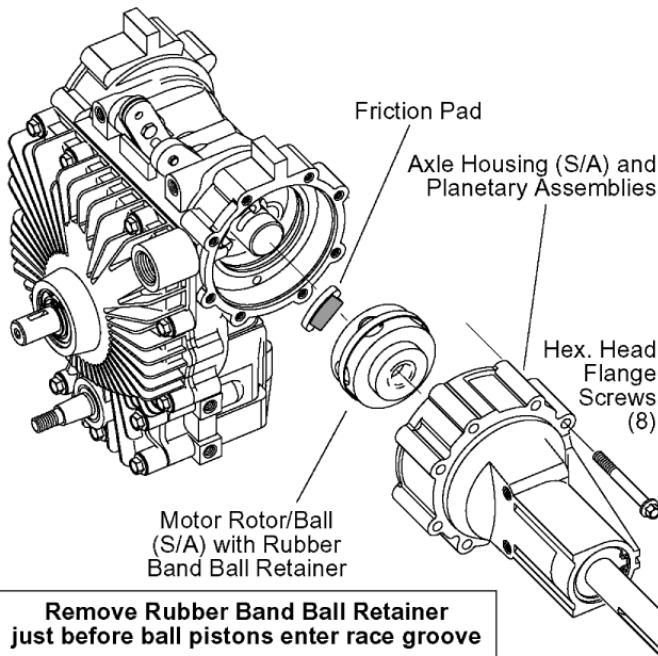
When they are all in alignment, the ring gear will fall into place.



- 107** Shown here are the first and second sun gears for 16:1 and 23:1 Gear ratios.
- 108** Install the sun gear (second) into the secondary Planetary assembly.
- 109** Lubricate and assemble the three planetary gears on the primary carrier assembly.
- 110** Aligning the splines, install the primary carrier assembly on the sun gear (second).
- 111** Install the next ring gear into the axle housing. Install by again aligning the ears on the outside of the ring gear with the notches in the housing assembly.
- Note:** Rotate the primary carrier assembly and the ring gear will fall into position.
- 112** Install the primary sun gear (first) into the primary planetary assembly.
- 113** Lubricate and install the backup plate in the axle housing assembly. Install by aligning the ears with the notches in the axle housing.
- 114** Aligning the splines, install the reaction plate on the primary sun gear (**friction material must be toward backup plate**).
- 115** Aligning the screw holes and notches, install the axle housing gasket on the axle housing assembly.
- 116** Reposition and clamp the housing assembly to the bench as in step 12. Install the motor rotor assembly.
- 117** Install the friction brake pad into its recess located in the housing assembly.
- 118** Carefully retain the planetary assemblies in position, install the axle housing assembly

on the housing assembly.

119 Install the axle housing flange screws and torque to 125 lb-in [14Nm].



120 Reposition the transaxle and install the gasket and (one of the following)...

...filter base.

...internal filter and valve cover (position metal side of filter toward housing and gasket).

...port plate.

121 Aligning the screw holes, install 5 flange screws.

122 Cross torque screws to 125 lb-in [14mm].

781 Series Transaxle

123 After servicing both transaxle halves, the two halves, center push rod, conical springs (2), bolts, washers and nuts (4 each) can be installed. Torque the bolt and nut to 16 ± 1.6 lb-ft [22 ± 2 Nm]. Replace E-ring retaining the conical spring at each end of center push rod.

Transaxle with Charge Pump and Spin-on Filter

124 Lubricate the filter seal, install filter, hand tight (3/4 to 1 full turn after gasket/base contact).

125 Fill transaxle with an approved hydraulic fluid (781 Series—both halves must be filled separately). The transaxle is now ready for test and installation.

Fluid Recommendations

Premium hydraulic oil having a viscosity equivalent to SAE 20w-20, SAE 30 or SAE 40.

The fluid should be chemically stable, incorporating rust and oxidation inhibitors.

A reputable supplier can help you make the best selection of hydraulic fluid for use in your Eaton transaxle.

Note: If the natural color of the fluid has become black or milky, it is possible that an overheating or water contamination problem exists.

Transaxle Parts Lists

Hydrostatic Transaxle Series 751 — No. 6-425

Hydrostatic Transaxle Series 851 — No. 6-426

Hydrostatic Transaxle Series 771-A — No. 6-427

Hydrostatic Transaxle Series 771-B — No. 6-428

Hydrostatic Transaxle Series 781 — No. 6-429

Fault-Logic Trouble Shooting

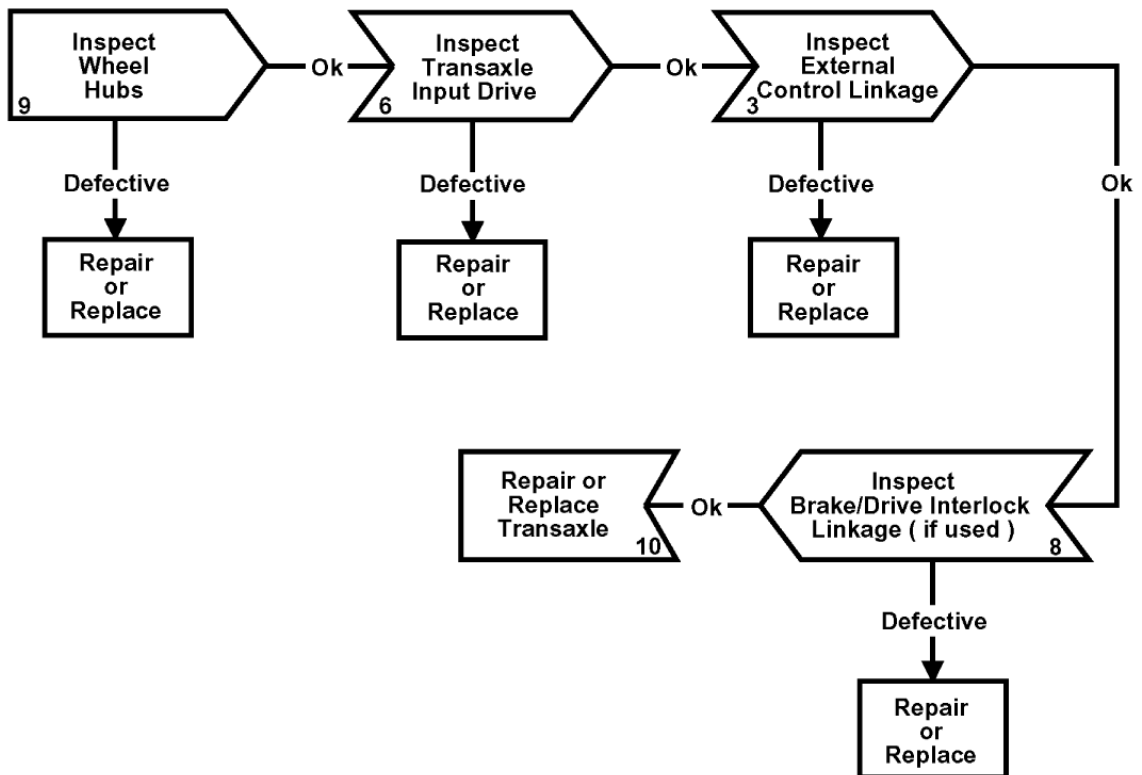
This Fault Logic Troubleshooting Guide is designed as a diagnostic aid in locating possible transaxle problems by the user.

To use this Fault-Logic Troubleshooting Guide, simply match the transaxle symptoms with the problem statements and follow the action steps shown in the box diagrams. This will give the user unnecessary machine down time.

Following the Fault-Logic diagrams are diagram action comments to further help explain the action steps shown in the diagrams.

Where applicable, the comment number of the statements appear in the action block of the diagrams.

System Jerky when Starting



Loss of Power or System (Will not operate in either direction)

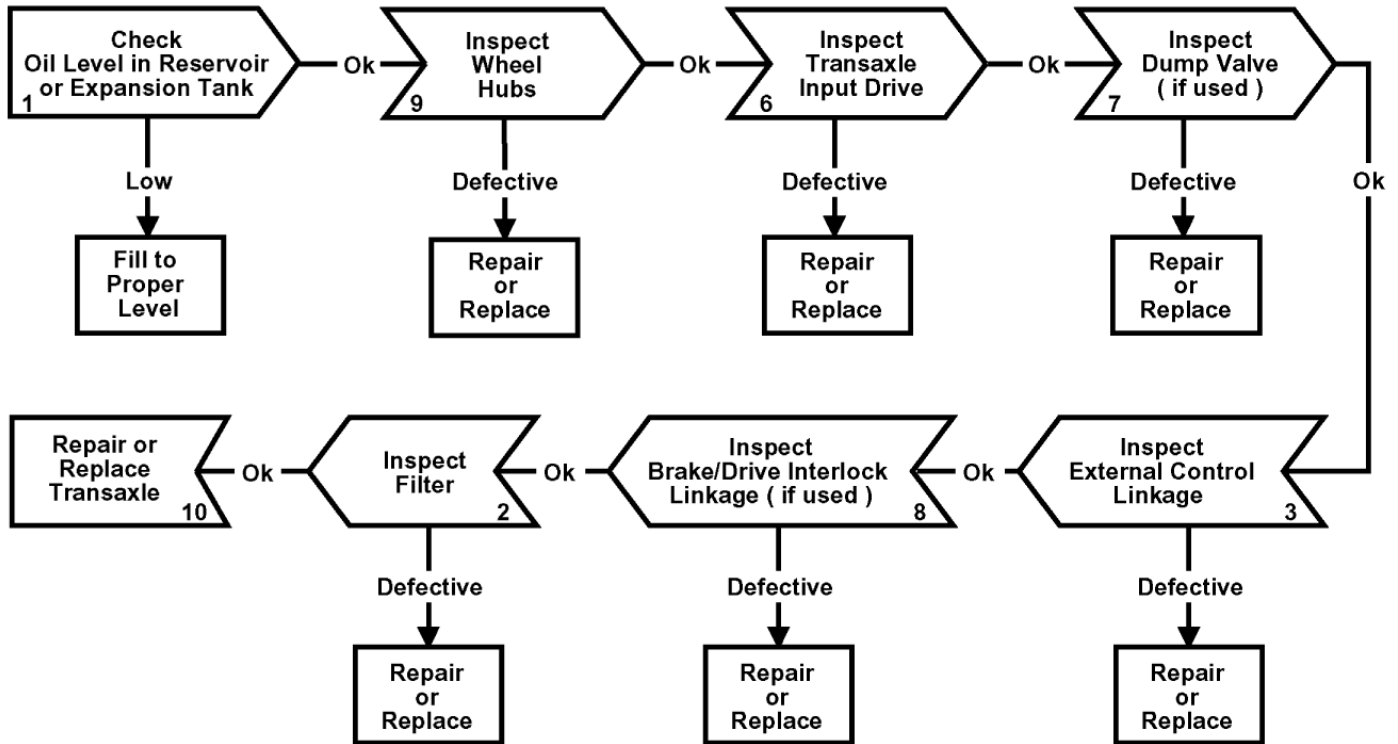


Diagram Action Step Comments

1 Check oil Level in Reservoir or Expansion Tank for:

- A Consult own/operators manual for the proper type fluid and level

2 Inspect Filter for:

- A Plugged or clogged filter element (see Transaxle Repair Information for filter location)

3 Inspect External Control Linkage for:

- A Misadjusted or disconnected
- B Worn, binding, bent or broken

4 Inspect Transaxle Cooling Fan for:

- A Sheared or missing drive screws
- B Broken or missing fan blades

5 Inspect Transaxle Cooling Fins for:

- A Plugged or clogged cover cooling fins

6 Inspect Transaxle Input Drive for:

- A Drive belt worn, loose or broken
- B Drive pulley key sheared or missing

7 Inspect Dump Valve for:

- A Misadjusted or disconnected
- B Drive pulley key sheared or missing

8 Inspect Brake/Drive Interlock Linkage for:

- A Misadjusted or disconnected
- B Worn, binding, bent or broken

9 Inspect Wheel Hubs for:

- A Drive key worn, sheared or missing

10 Repair or Replace Transaxle

- A When Transaxle is under warranty return to dealer for warranty consideration
- B All non warranty repairs should be performed by trained personnel

Hydrostatic Transaxle

Models 751, 851, 771, and 781

Eaton Corporation
Hydraulics Division
15151 Hwy. 5
Eden Prairie, MN 55344
Telephone 612/937-9800
Fax 612/937-7130

Eaton Ltd.
Hydraulics Division
Glenrothes Fife
Scotland, KY7 4NW
Telephone 01-592-771-771
Fax 01-592-773-184

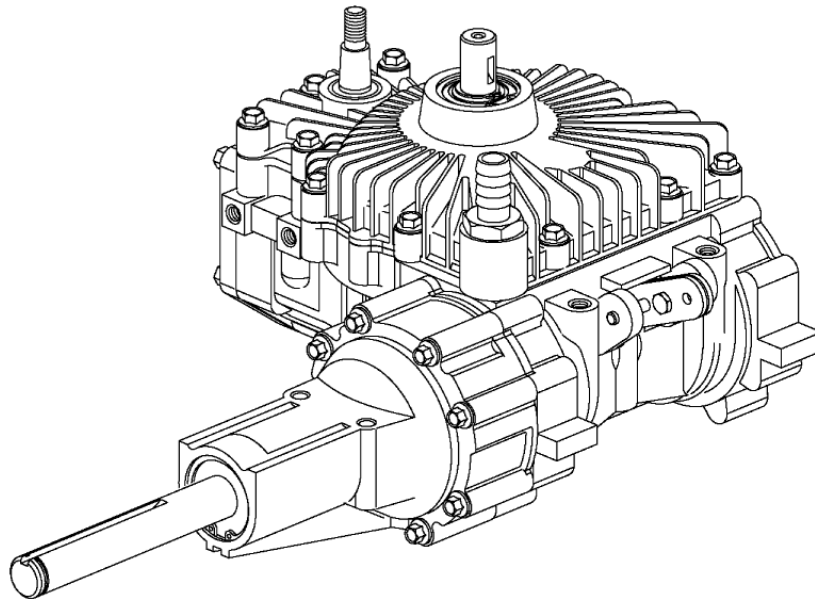
Eaton GnbH
Hydraulics Products
Am Schimmersfeld 7
40880 Ratingen, Germany
Telephone 02102-406-830
Fax 02102-406-800



Quality System Certified
Products in this catalog are manufactured
in an ISO-9001-certified site.

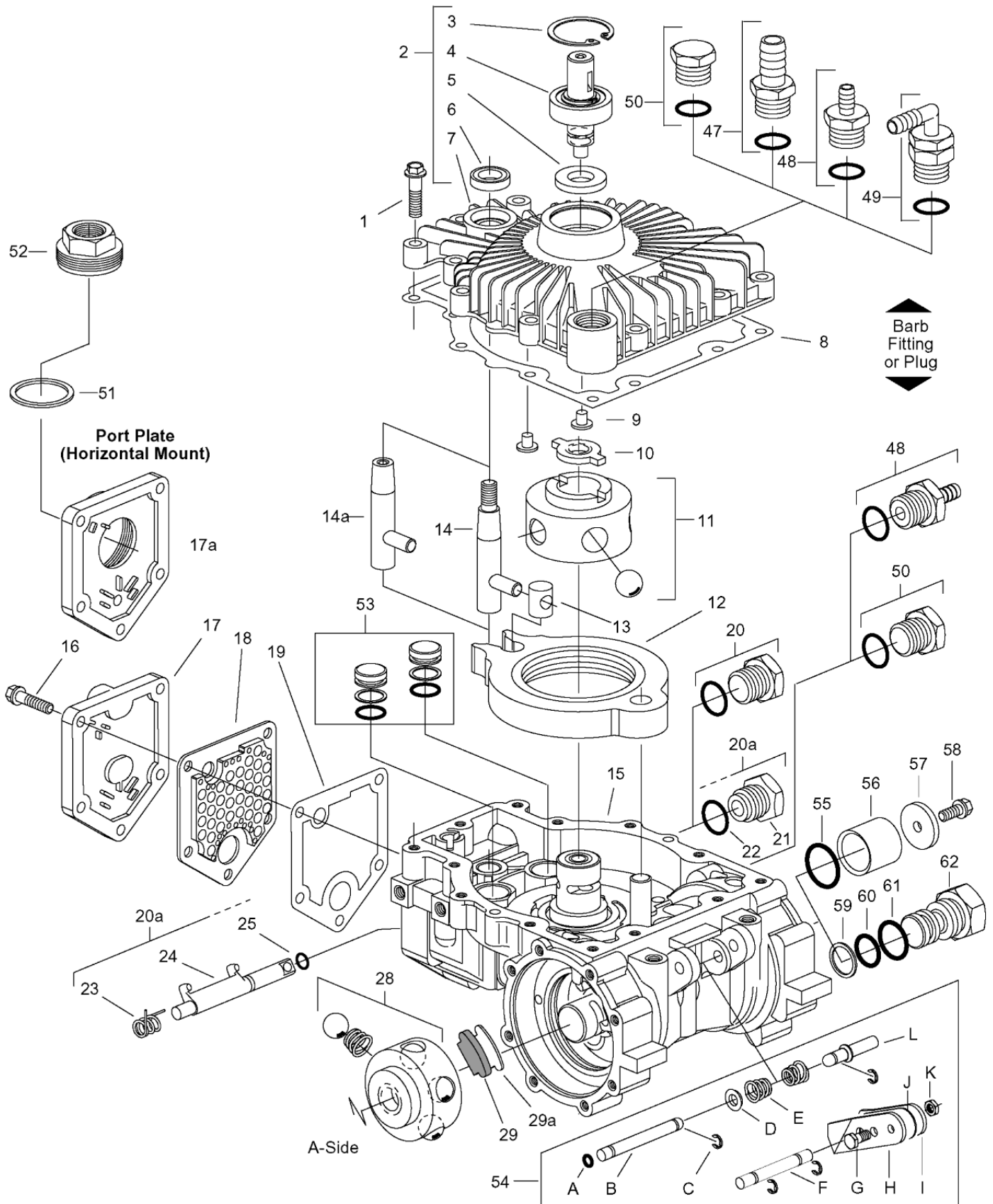


Parts Information



Transaxle Series 771 — A Side

Series 771 — A Side



Series 771 — A Side

Ref. No.	Part Number	Description	Qty.	Ref. No.	Part Number	Description	Qty.
1	104436-100	Screw, 1/4-20 Self Tap	13	37	106169	21T Plnt Gear (S/A) Second	3
2	106071	Cover (S/A)	1		106204	21T Plnt Gear(S/A)2nd Steel	3
3	101680-156	Ring, Retaining, Internal	1	38	106137	Secondary Carrier (S/A)	1
4	106073	Shaft, Input (S/A)	1	39	106178-000	Axle Housing (S/A) A-Side	1
5	93955	Seal, Input Shaft	1		106190**	Magnet (S/A)	1
6	93895	Seal, Control Shaft	1	40	106162	Housing, Axle	1
7	106070	Cover	1	41	103983-098	Ring, Retaining, External	2
8	105327	Gasket, Cover	1	42	103966	Thrust Washer	2
9	101597	Button	2	43	101680-206	Ring, Retaining, Internal	1
10	104107	Drive	1	44	104928	Bearing, Ball	1
11	105228	Pump Rotor/Ball (S/A)	1	45	103960	Seal, Radial Lip	1
	104415	Pump Rotor/Ball/Pin (S/A)	1	46	106177-000	Shaft, Axle — A-Side	1
12	105813	Cam Ring (S/A)	1	47	106285	.625 Str. Fitting/O-ring (S/A)	A/R
13	103621	Insert	1	48	106631	.375 Str. Fitting/O-ring (S/A)	A/R
14	103611	Control Shaft, External Thrd.	1	49	105636	.375 90° Fitting/O-ring (S/A)	A/R
14a	104935	Control Shaft, Internal Thrd.	1	50	106008	Plug/O-ring (S/A)	A/R
15	N/A	Housing (S/A) w/parts 57-60	1		8785-010	O-ring for Fittings (47-50)	A/R
	***	Housing (S/A) w/parts 61-63	1	51	8771-130	Seal, Square Cut	1
16	103757-088	Screw, 1/4-20 Hex Flange	5	52	101264	Adapter, 7/8-14 O-ring Port	1
17	106201	Cover, Valve	1	53	***	Piston, Dampening	
17a	106385	Port Plate (Horiz. Mount)	1		104962	Piston (S/A)	2
18	106202	Filter (Internal)	1		105814*	Piston (S/A)	2
19	106200	Gasket, V Cover/P Plate	1	54	***	Brake Lever Parts	
20	106008	Plug/Seal (S/A) No Dump V	1	A	106450	Quad Seal	1
	8785-010	Seal, O-ring	1	B	106079	Rod, Push	1
20a	***	Dump Valve Parts	1	C	106437-000	E-Ring	4
21	104664	Nut, Dump Valve Fitting	1	D	106784	Spring Base (S/A)	1
22	8785-010	Seal, O-ring	1	E	106078	Spring, Conical	2
23	104684	Spring, Dump Valve	1	F	106261	Shaft, Brake	1
24	105660	Bracket, Dump Valve	1	G	16032-406P	Screw, Cap, Hex	1
25	8761-013	Seal, O-ring	1	H	106128-001	Lever, Brake RH	1
26	103757-225	Screw 5/16 Hex Flange	8	I	106128-002	Lever, Brake LH	1
27	106129	Gasket, Axle Housing	1	J	106144-XXX	Shim	A/R
28	104551	15T Motor Rotor/Ball (S/A)	1	K	16188-4	Nut, Hex, Lock	1
29	110185	Pad, Friction	1	L	106390	Stop	1
29a	110186	Spacer	1				
30	106414	Plate, Reaction	1	101	104167-000	Square Key (Straight Shaft)	1
31	106104	Plate, Backup	1				
32	104338	15T Sun Gear, First	1				
33	106027	Gear, Ring 57T	2				
34	106167	21T Planet Gear (S/A) First	3				
35	106174	15T Primary Carrier (S/A)	1				
36	104812	15T Sun Gear, Second	1				
	104984	15T Sun Gear, 2nd (Steel)	1				

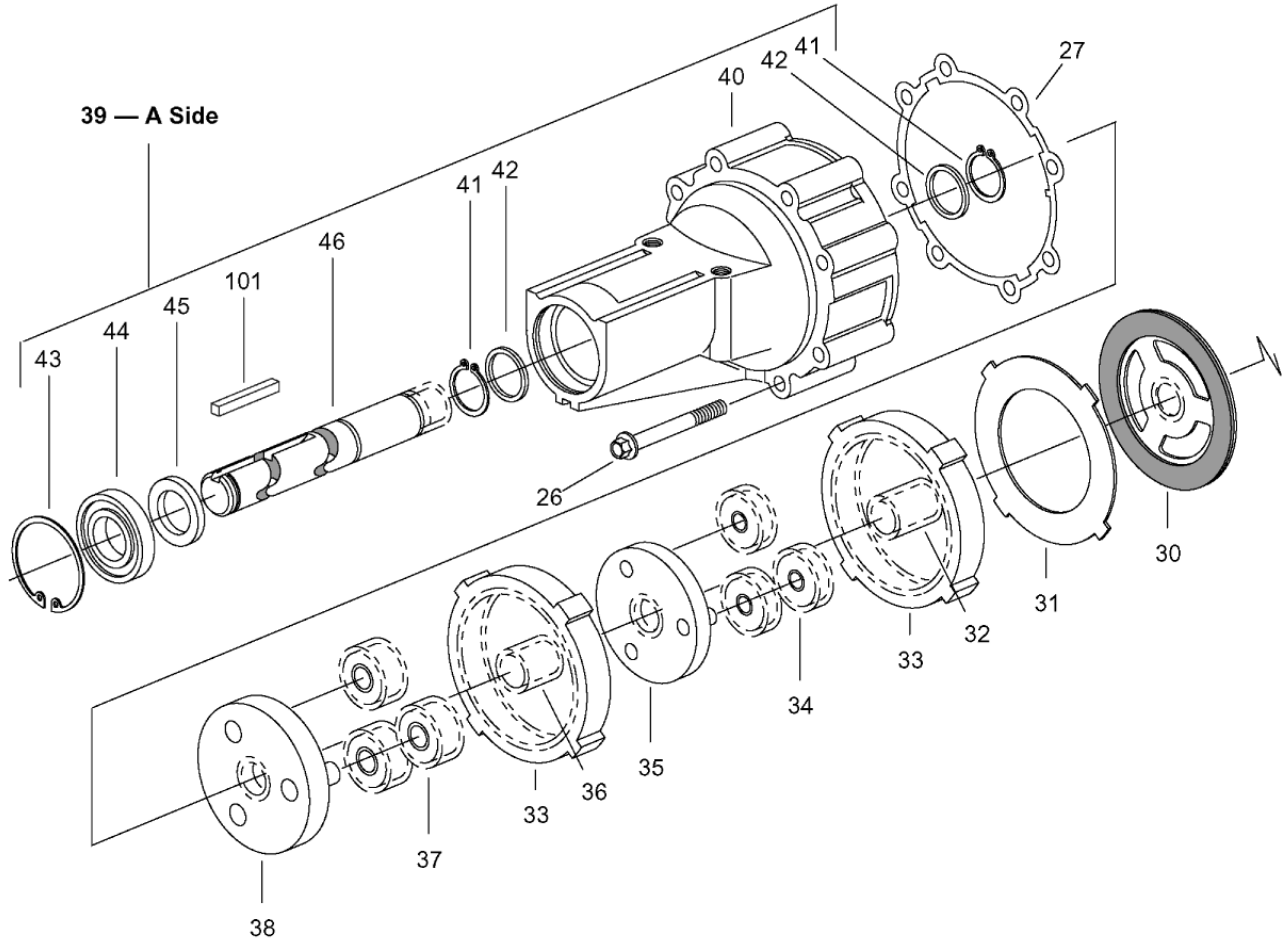
*Piston, Dampening (S/A) - Wide Band Neutral — Not Shown (has orifice hole through center).

A/R - as Required (S/A) - Sub Assy. (N/A) - Not Available

**Magnet (S/A) - Not Shown (Removal Not Recommended)

*** See Chart on Page 6 — Housing (S/A)

Series 771 — A Side



Ref. No.	Part Number	Description	Qty.	Ref. No.	Part Number	Description	Qty.
1	104436-100	Screw, 1/4-20 Self Tap	13	37	106169	21T Plnt Gear (S/A) Second	3
2	106071	Cover (S/A)	1		106204	21T Plnt Gear(S/A)2nd Steel	3
3	101680-156	Ring, Retaining, Internal	1	38	106137	Secondary Carrier (S/A)	1
4	106073	Shaft, Input (S/A)	1	39	106178-000	Axle Housing (S/A) A-Side	1
5	93955	Seal, Input Shaft	1		106190**	Magnet (S/A)	1
6	93895	Seal, Control Shaft	1	40	106162	Housing, Axle	1
7	106070	Cover	1	41	103983-098	Ring, Retaining, External	2
8	105327	Gasket, Cover	1	42	103966	Thrust Washer	2
9	101597	Button	2	43	101680-206	Ring, Retaining, Internal	1
10	104107	Drive	1	44	104928	Bearing, Ball	1
11	105228	Pump Rotor/Ball (S/A)	1	45	103960	Seal, Radial Lip	1
	104415	Pump Rotor/Ball/Pin (S/A)	1	46	106177-000	Shaft, Axle — A-Side	1
12	105813	Cam Ring (S/A)	1	47	106285	.625 Str. Fitting/O-ring (S/A)	A/R
13	103621	Insert	1	48	106631	.375 Str. Fitting/O-ring (S/A)	A/R
14	103611	Control Shaft, External Thrd.	1	49	105636	.375 90° Fitting/O-ring (S/A)	A/R
14a	104935	Control Shaft, Internal Thrd.	1	50	106008	Plug/O-ring (S/A)	A/R
15	N/A	Housing (S/A) w/parts 57-60	1		8785-010	O-ring for Fittings (47-50)	A/R
	***	Housing (S/A) w/parts 61-63	1	51	8771-130	Seal, Square Cut	1
16	103757-088	Screw, 1/4-20 Hex Flange	5	52	101264	Adapter, 7/8-14 O-ring Port	1
17	106201	Cover, Valve	1	53	***	Piston, Dampening	
17a	106385	Port Plate (Horiz. Mount)	1		104962	Piston (S/A)	2
18	106202	Filter (Internal)	1		105814*	Piston (S/A)	2
19	106200	Gasket, V Cover/P Plate	1	54		Brake Lever Parts	
20	106008	Plug/Seal (S/A) No Dump V	1	A	106450	Quad Seal	1
	8785-010	Seal, O-ring	1	B	106079	Rod, Push	1
20a		Dump Valve Parts	1	C	106437-000	E-Ring	4
21	104664	Nut, Dump Valve Fitting	1	D	106784	Spring Base (S/A)	1
22	8785-010	Seal, O-ring	1	E	106078	Spring, Conical	2
23	104684	Spring, Dump Valve	1	F	106261	Shaft, Brake	1
24	105660	Bracket, Dump Valve	1	G	16032-406P	Screw, Cap, Hex	1
25	8761-013	Seal, O-ring	1	H	106128-001	Lever, Brake RH	1
26	103757-225	Screw 5/16 Hex Flange	8	I	106128-002	Lever, Brake LH	1
27	106129	Gasket, Axle Housing	1	J	106144-XXX	Shim	A/R
28	104551	15T Motor Rotor/Ball (S/A)	1	K	16188-4	Nut, Hex, Lock	1
29	110185	Pad, Friction	1	L	106390	Stop	1
29a	110186	Spacer	1				
30	106414	Plate, Reaction	1	101	104167-000	Square Key (Straight Shaft)	1
31	106104	Plate, Backup	1				
32	104338	15T Sun Gear, First	1				
33	106027	Gear, Ring 57T	2				
34	106167	21T Planet Gear (S/A) First	3				
35	106174	15T Primary Carrier (S/A)	1				
36	104812	15T Sun Gear, Second	1				
	104984	15T Sun Gear, 2nd (Steel)	1				

*Piston, Dampening (S/A) - Wide Band Neutral — Not Shown (has orifice hole through center).

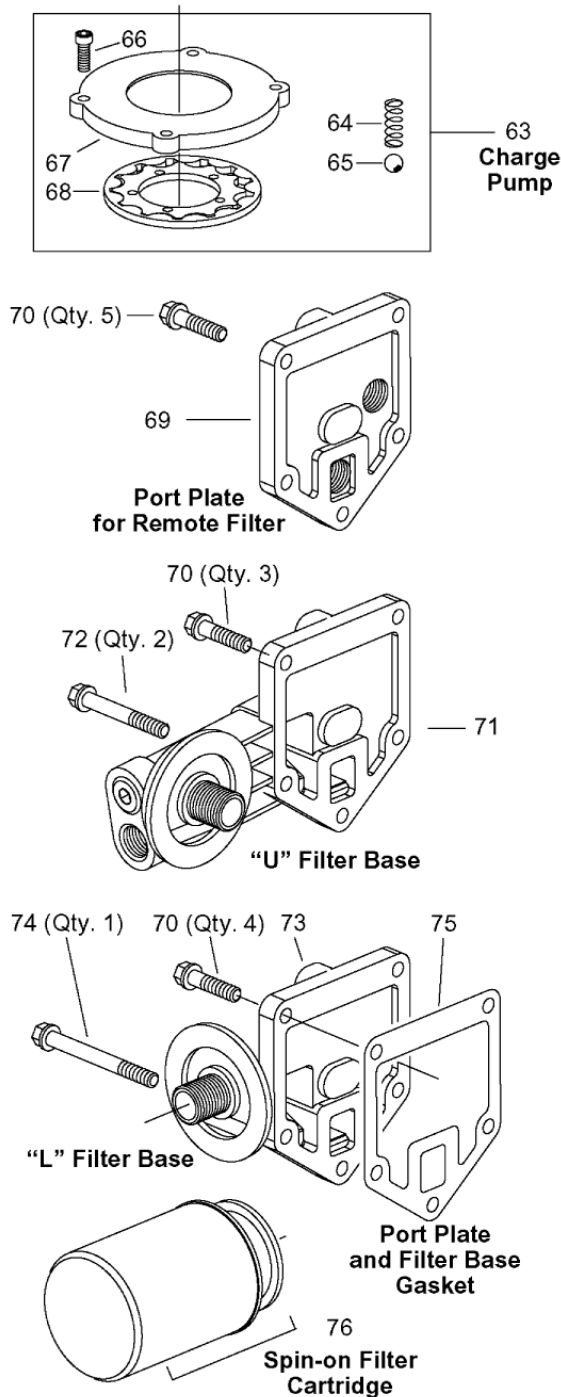
A/R - as Required (S/A) - Sub Assy. (N/A) - Not Available

**Magnet (S/A) - Not Shown (Removal Not Recommended)

*** See Chart on Page 6 — Housing (S/A)

Series 771 — A Side

Continued from page list on page 4.



Ref. No.	Part Number	Description	Current Housings	
			First Housings	Qty.
55	8761-121	Seal, O-ring	1	
56	104989	Cup, Seal	1	
57	104988	Washer	1	
58	103757-088	Screw, Hex, Flange	1	
59	8770-211	Ring, Backup		1
60	8765-211	Seal, O-ring		1
61	8785-014	Seal, O-ring		1
62	106505	Plug		1

Ref. No.	Part Number	Description	Qty.
63	***	Charge Pump	1
64	104421	Spring	1
65	195881-038	Ball	1
66	101676-088	Screw, Cap, Socket	4
67	104467	Plate, Pump (Class II)	1
68	104466	Gerotor (Class II)	1
67 and 68	104701	Plate, Pump and Gerotor (High Pressure)	1
69	104531	Plate, Port	1
70	103757-088	Screw, 1/4-20 Hex Flange	A/R
71	104382	Filter Base "U"	1
	104384	Filter Base "U" w/Ports (2)	1
72	103757-250	Screw, 1/4 20 Hex Flange	2
73	104386	Filter Base "L"	1
74	103757-375	Screw, 1/4-20 Hex Flange	1
75	104392	Gasket	1
76	103144	Filter	1

*** See Chart Below — Housing (S/A)

Reference Number 15 Housing (other parts included in S/A are 59-62)							
		No Wide Band Neutral (Ref. No. 53)			Wide Band Neutral (Ref. No. 53)		
		No Charge Pump	Charge Pump* (63)	High Press. Charge Pump	No Charge Pump	Charge Pump* (63)	High Press. Charge Pump
CW	Standard	106971	—	—	106730	—	—
	Special	—	106449	—	—	—	—
CCW	Standard	—	—	—	—	—	—
	Special	106585	106227	—	—	—	—

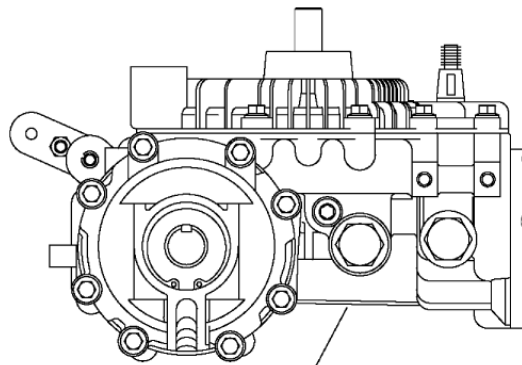
* Class II

Series 771 — A Side

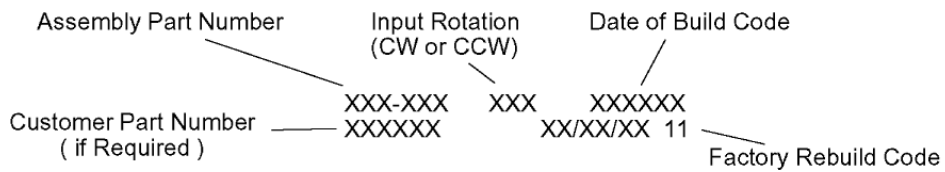
HOW TO ORDER REPLACEMENT PARTS

EACH ORDER MUST INCLUDE THE FOLLOWING:

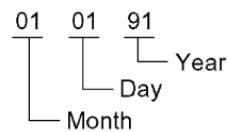
1. Product Number
2. Date Code
3. Part Name
4. Part Number
5. Quantity of Parts



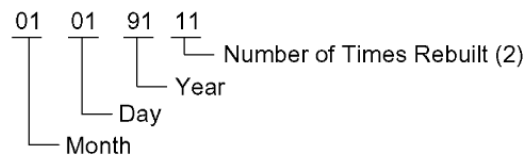
Part Number, Date of Assembly, and Input Rotation Stamped on this Surface



Original Build (example - 010191)



Factory Rebuild (example - 01/01/91 11)



Series 771 — A Side

Eaton Corporation
Hydraulics Division
15151 Hwy. 5
Eden Prairie, MN 55344
Telephone: 612/937-7254
Fax: 612/937-7130

Sumitomo Eaton
Hydraulic Company Ltd.
Ooi-Cho Kameoka-Shi
621-0017 Kyoto
Japan
Telephone: [+81] 771-22-9601
Fax: [+81] 771-29-2020

Eaton Ltd.
Hydraulics Division
Glenrothes, Fife
Scotland, KY7 4NW
Telephone: [+44] (0)1592-771-771
Fax: [+44] (0)1592-773-184

Eaton Ltd.
7th Floor, Woo Duk Building
832-2 Yeoksam-Dong, Kangnam-Ku
Soeul 135-750
Korea
Telephone: [+82] 2-557-0595
Fax: [+82] 2-557-1634

Eaton B.V.
Boeing Avenue 11
1119 PC Schiphol-Rijk
The Netherlands
Telephone: [+31] (0)20-655 6776
Fax: [+31] (0)20-655 6800

Eaton Hydraulics (Shanghai) Co. Ltd.
388 Aidu Road, Waigaogiao FTZ
Pudong New Area
Shanghai 200137
Peoples Republic of China
Telephone: [+86] 21-5046 0758
Fax: [+86] 21-5046 0767

Sumitomo Eaton Hydraulic Co.
8 Temasek Blvd.
42-01 Suntec Tower Three
Singapore 03988
Telephone: [+65] 832-7727
Fax: [+65] 832-7733

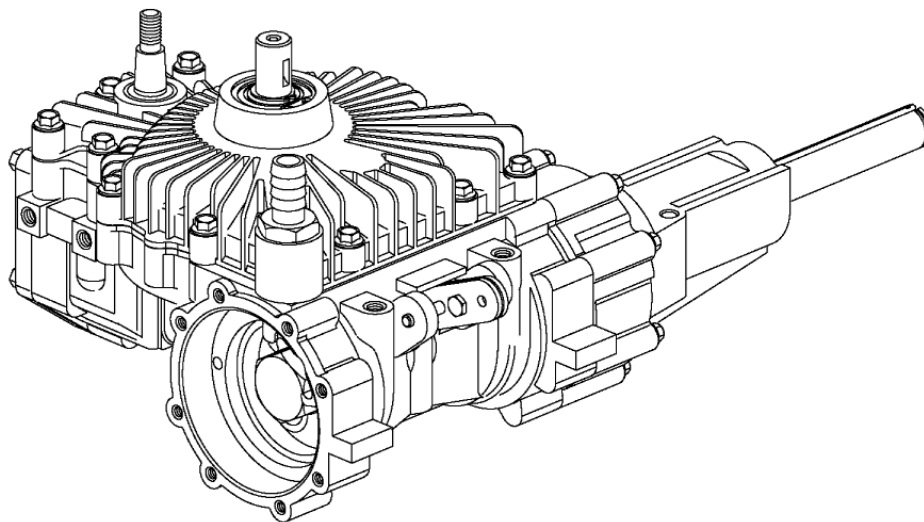
Jining Eaton Hydraulic Co. Ltd.
6 Ji Da Road
Jining City
Shandong Province 272131
Peoples Republic of China
Telephone: [+86] 537-2221288
Fax: [+86] 537-2221557



Quality System Certified
Products in this catalog are manufactured
in an ISO-9001-certified site.

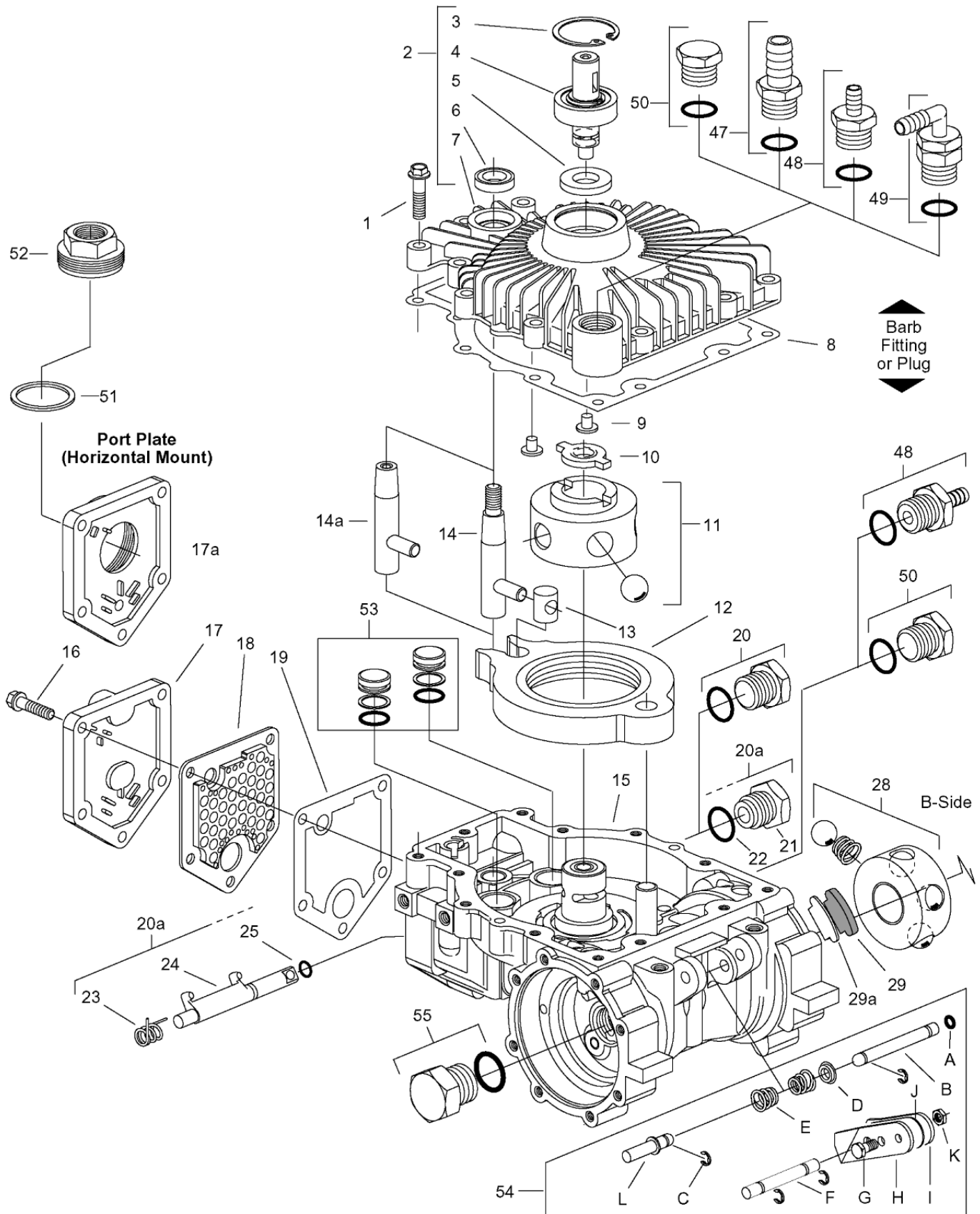


Parts Information



Transaxle Series 771 — B Side

Series 771 — B Side



Series 771 — B Side

Ref. No.	Description	Qty.	Ref. No.	Description	Qty.
1	104436-100 Screw, 1/4-20 Self Tap	13	38	106137 Secondary Carrier (S/A)	1
2	106071 Cover (S/A)	1	39	106178-000 Axle Housing (S/A) B-Side	1
3	101680-156 Ring, Retaining, Internal	1		106190** Magnet (S/A)	1
4	106073 Shaft, Input (S/A)	1	40	106162 Housing, Axle	1
5	93955 Seal, Input Shaft	1	41	103983-098 Ring, Retaining, External	2
6	93895 Seal, Control Shaft	1	42	103966 Thrust Washer	2
7	106070 Cover	1	43	101680-206 Ring, Retaining, Internal	1
8	105327 Gasket, Cover	1	44	104928 Bearing, Ball	1
9	101597 Button	2	45	103960 Seal, Radial Lip	1
10	104107 Drive	1	46	106177-000 Shaft, Axle — B-Side	1
11	105228 Pump Rotor/Ball (S/A)	1	47	106285 .625 Str. Fitting/O-ring (S/A)	A/R
	104415 Pump Rotor/Ball/Pin (S/A)	1	48	106631 .375 Str. Fitting/O-ring (S/A)	A/R
12	105813 Cam Ring (S/A)	1	49	105636 .375 90° Fitting/O-ring (S/A)	A/R
13	103621 Insert	1	50	106008 Plug/O-ring (S/A)	A/R
14	103611 Control Shaft, External Thrd.	1		8785-010 O-ring for Fittings (47-50)	A/R
14a	104935 Control Shaft, Internal Thrd.	1	51	8771-130 Seal, Square Cut	1
15	*** Housing (S/A)	1	52	101264 Adapter, 7/8-14 O-ring Port	1
16	103757-088 Screw, 1/4-20 Hex Flange	5	53	*** Piston, Dampening	
17	106201 Cover, Valve	1		104962 Piston (S/A)	2
17a	106385 Port Plate (Horiz. Mount)	1		105814* Piston (S/A)	2
18	106202 Filter (Internal)	1	54	Brake Lever Parts	
19	106200 Gasket, V Cover/ P Plate	1	A	106450 Quad Seal	1
20	106008 Plug/Seal (S/A) No Dump V	1	B	106079 Rod, Push	1
	8785-010 Seal, O-ring	1	C	106437-000 E-Ring	4
20a	Dump Valve Parts	1	D	106119 Spring Base (S/A)	1
21	104664 Nut, Dump Valve Fitting	1	E	106078 Spring, Conical	2
22	8785-010 Seal, O-ring	1	F	106261 Shaft, Brake	1
23	104684 Spring, Dump Valve	1	G	16032-406P Screw, Cap, Hex	1
24	105660 Bracket, Dump Valve	1	H	106128-001 Lever, Brake RH	1
25	8761-013 Seal, O-ring	1	I	106128-002 Lever, Brake LH	1
26	103757-225 Screw 5/16 Hex Flange	8	J	106144-XXX Shim	A/R
27	106129 Gasket, Axle Housing	1	K	16188-4 Nut, Hex, Lock	1
28	104551 15T Motor Rotor/Ball (S/A)	1	L	106390 Stop	1
29	110185 Pad, Friction	1	55	25090-014 Plug/O-ring (S/A)	1
29a	110186 Spacer	1		8785-014 O-ring	1
30	106414 Plate, Reaction	1			
31	106104 Plate, Backup	1	101	104167 Square Key (Straight Shaft)	1
32	104338 15T Sun Gear, First	1			
33	106027 Gear, Ring 57T	2			
34	106167 21T Planet Gear (S/A) First	3			
35	106174 15T Primary Carrier (S/A)	1			
36	104812 15T Sun Gear, Second	1			
	104984 15T Sun Gear, 2nd (Steel)	1			
37	106169 21T Plnt Gear (S/A) Second	3			
	106204 21T Plnt Gear(S/A)2nd Steel	3			

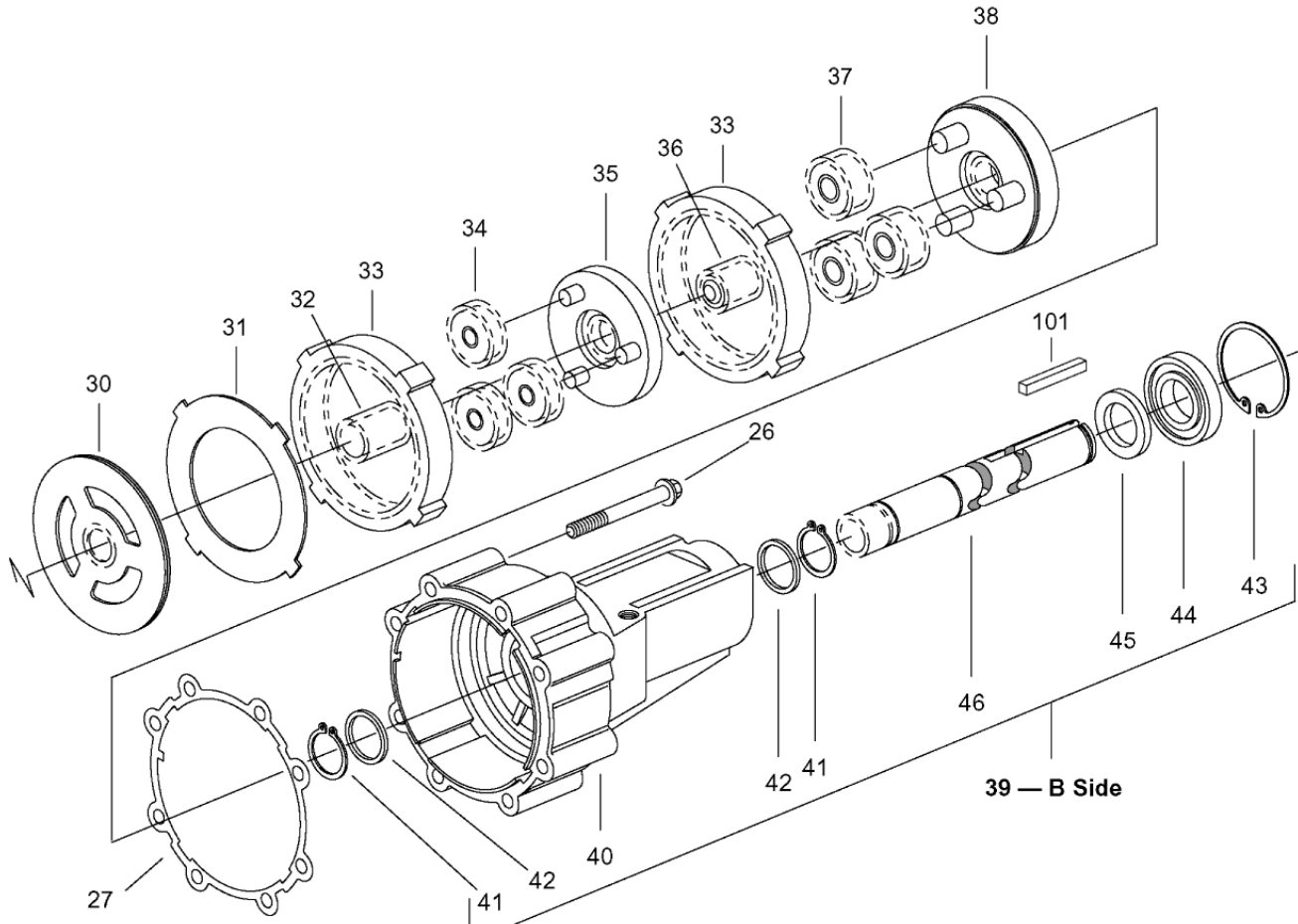
*Piston, Dampening (S/A) - Wide Band Neutral — Not Shown (has orifice hole through center).

A/R - as Required (S/A) - Sub Assembly

**Magnet (S/A) - Not Shown (Removal Not Recommended)

*** See Chart on Page 6 — Housing (S/A)

Series 771 — B Side



Ref. No.	Description	Qty.
1	104436-100 Screw, 1/4-20 Self Tap	13
2	106071 Cover (S/A)	1
3	101680-156 Ring, Retaining, Internal	1
4	106073 Shaft, Input (S/A)	1
5	93955 Seal, Input Shaft	1
6	93895 Seal, Control Shaft	1
7	106070 Cover	1
8	105327 Gasket, Cover	1
9	101597 Button	2
10	104107 Drive	1
11	105228 Pump Rotor/Ball (S/A)	1
	104415 Pump Rotor/Ball/Pin (S/A)	1
12	105813 Cam Ring (S/A)	1
13	103621 Insert	1
14	103611 Control Shaft, External Thrd.	1
14a	104935 Control Shaft, Internal Thrd.	1
15	*** Housing (S/A)	1
16	103757-088 Screw, 1/4-20 Hex Flange	5
17	106201 Cover, Valve	1
17a	106385 Port Plate (Horiz. Mount)	1
18	106202 Filter (Internal)	1
19	106200 Gasket, V Cover/ P Plate	1
20	106008 Plug/Seal (S/A) No Dump V	1
	8785-010 Seal, O-ring	1
20a	Dump Valve Parts	1
21	104664 Nut, Dump Valve Fitting	1
22	8785-010 Seal, O-ring	1
23	104684 Spring, Dump Valve	1
24	105660 Bracket, Dump Valve	1
25	8761-013 Seal, O-ring	1
26	103757-225 Screw 5/16 Hex Flange	8
27	106129 Gasket, Axle Housing	1
28	104551 15T Motor Rotor/Ball (S/A)	1
29	110185 Pad, Friction	1
29a	110186 Spacer	1
30	106414 Plate, Reaction	1
31	106104 Plate, Backup	1
32	104338 15T Sun Gear, First	1
33	106027 Gear, Ring 57T	2
34	106167 21T Planet Gear (S/A) First	3
35	106174 15T Primary Carrier (S/A)	1
36	104812 15T Sun Gear, Second	1
	104984 15T Sun Gear, 2nd (Steel)	1
37	106169 21T Plnt Gear (S/A) Second	3
	106204 21T Plnt Gear(S/A)2nd Steel	3

Ref. No.	Description	Qty.
38	106137 Secondary Carrier (S/A)	1
39	106178-000 Axle Housing (S/A) B-Side	1
	106190** Magnet (S/A)	1
40	106162 Housing, Axle	1
41	103983-098 Ring, Retaining, External	2
42	103966 Thrust Washer	2
43	101680-206 Ring, Retaining, Internal	1
44	104928 Bearing, Ball	1
45	103960 Seal, Radial Lip	1
46	106177-000 Shaft, Axle — B-Side	1
47	106285 .625 Str. Fitting/O-ring (S/A)	A/R
48	106631 .375 Str. Fitting/O-ring (S/A)	A/R
49	105636 .375 90° Fitting/O-ring (S/A)	A/R
50	106008 Plug/O-ring (S/A)	A/R
	8785-010 O-ring for Fittings (47-50)	A/R
51	8771-130 Seal, Square Cut	1
52	101264 Adapter, 7/8-14 O-ring Port	1
53	*** Piston, Dampening	
	104962 Piston (S/A)	2
	105814* Piston (S/A)	2
54	Brake Lever Parts	
A	106450 Quad Seal	1
B	106079 Rod, Push	1
C	106437-000 E-Ring	4
D	106119 Spring Base (S/A)	1
E	106078 Spring, Conical	2
F	106261 Shaft, Brake	1
G	16032-406P Screw, Cap, Hex	1
H	106128-001 Lever, Brake RH	1
I	106128-002 Lever, Brake LH	1
J	106144-XXX Shim	A/R
K	16188-4 Nut, Hex, Lock	1
L	106390 Stop	1
55	25090-014 Plug/O-ring (S/A)	1
	8785-014 O-ring	1
101	104167 Square Key (Straight Shaft)	1

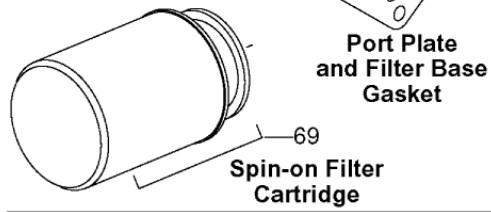
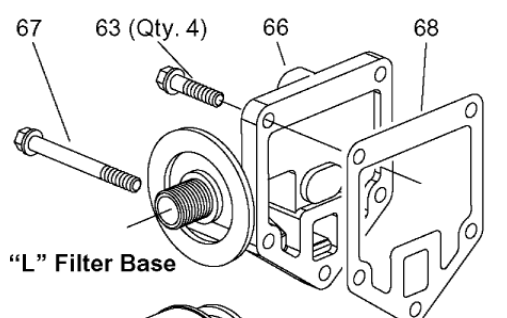
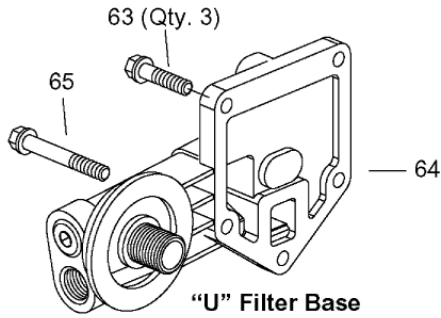
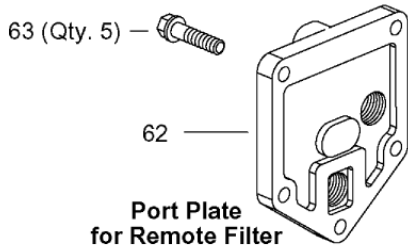
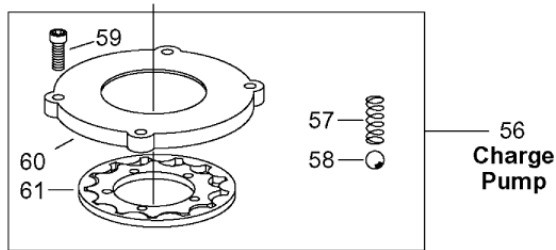
*Piston, Dampening (S/A) - Wide Band Neutral — Not Shown (has orifice hole through center).

A/R - as Required (S/A) - Sub Assembly

**Magnet (S/A) - Not Shown (Removal Not Recommended)

*** See Chart on Page 6 — Housing (S/A)

Series 771 — B Side



Ref. No.	Part Number	Description	Qty.
56	***	Charge Pump	1
57	104421	Spring	1
58	95881-038	Ball	1
59	101676-088	Screw, Cap, Socket	4
60	104467	Plate, Pump (Class II)	1
61	104466	Gerotor (Class II)	1
60 and 61	104701	Plate, Pump and Gerotor (High Pressure)	1
62	104531	Plate, Port	1
63	103757-088	Screw, 1/4-20 Hex Flange	A/R
64	104382	Filter Base "U"	1
	104384	Filter Base "U" w/Ports (2)	1
65	103757-250	Screw, 1/4 20 Hex Flange	2
66	104386	Filter Base "L"	1
67	103757-375	Screw, 1/4-20 Hex Flange	1
68	104392	Gasket	1
69	103144	Filter	1

*** See Chat Below — Housing (S/A)

Reference Number 15 Housing (other parts included in S/A — Ref. No. 55)							
		No Wide Band Neutral (53)			Wide Band Neutral (53)		
		No Charge Pump	Charge Pump* (56)	High Press. Charge Pump	No Charge Pump	Charge Pump* (56)	High Press. Charge Pump
CW	Standard	106972	—	—	106731	—	—
	Special	—	106460	—	—	—	—
CCW	Standard	—	—	—	—	—	—
	Special	106586	106228	—	—	—	—

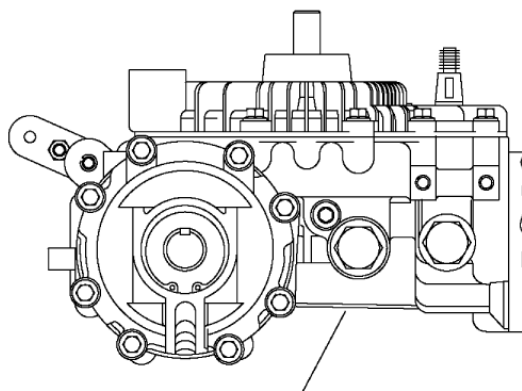
* Class II

Series 771 — B Side

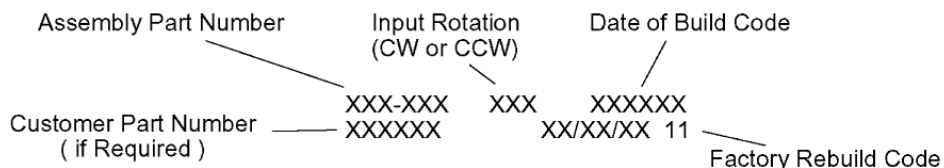
HOW TO ORDER REPLACEMENT PARTS

EACH ORDER MUST INCLUDE THE FOLLOWING:

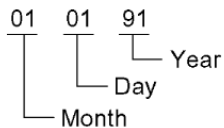
- 1. Product Number
- 2. Date Code
- 3. Part Name
- 4. Part Number
- 5. Quantity of Parts



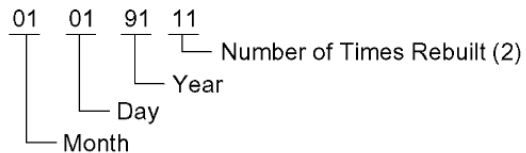
Part Number, Date of Assembly, and Input Rotation Stamped on this Surface



Original Build (example - 010191)



Factory Rebuild (example - 01/01/91 11)



Series 771 — B Side

Eaton Corporation
Hydraulics Division
15151 Hwy. 5
Eden Prairie, MN 55344
Telephone: 612/937-7254
Fax: 612/937-7130

Sumitomo Eaton
Hydraulic Company Ltd.
Ooi-Cho Kameoka-Shi
621-0017 Kyoto
Japan
Telephone: [+81] 771-22-9601
Fax: [+81] 771-29-2020

Eaton Ltd.
Hydraulics Division
Glenrothes, Fife
Scotland, KY7 4NW
Telephone: [+44] (0)1592-771-771
Fax: [+44] (0)1592-773-184

Eaton Ltd.
7th Floor, Woo Duk Building
832-2 Yeoksam-Dong, Kangnam-Ku
Soeul 135-750
Korea
Telephone: [+82] 2-557-0595
Fax: [+82] 2-557-1634

Eaton B.V.
Boeing Avenue 11
1119 PC Schiphol-Rijk
The Netherlands
Telephone: [+31] (0)20-655 6776
Fax: [+31] (0)20-655 6800

Eaton Hydraulics (Shanghai) Co. Ltd.
388 Aidu Road, Waigaogiao FTZ
Pudong New Area
Shanghai 200137
Peoples Republic of China
Telephone: [+86] 21-5046 0758
Fax: [+86] 21-5046 0767

Sumitomo Eaton Hydraulic Co.
8 Temasek Blvd.
42-01 Suntec Tower Three
Singapore 03988
Telephone: [+65] 832-7727
Fax: [+65] 832-7733

Jining Eaton Hydraulic Co. Ltd.
6 Ji Da Road
Jining City
Shandong Province 272131
Peoples Republic of China
Telephone: [+86] 537-2221288
Fax: [+86] 537-2221557



Quality System Certified
Products in this catalog are manufactured
in an ISO-9001-certified site.

Notes:

Notes:

