

Parts Catalog



WORLDLAWN[®]

WS2265BSE/ WS2475BSE

Snow Blower



Worldlawn Power Equipment, Inc.

2415 Ashland Avenue, Beatrice, NE 68310

Toll Free Number: 1-800-267-4255

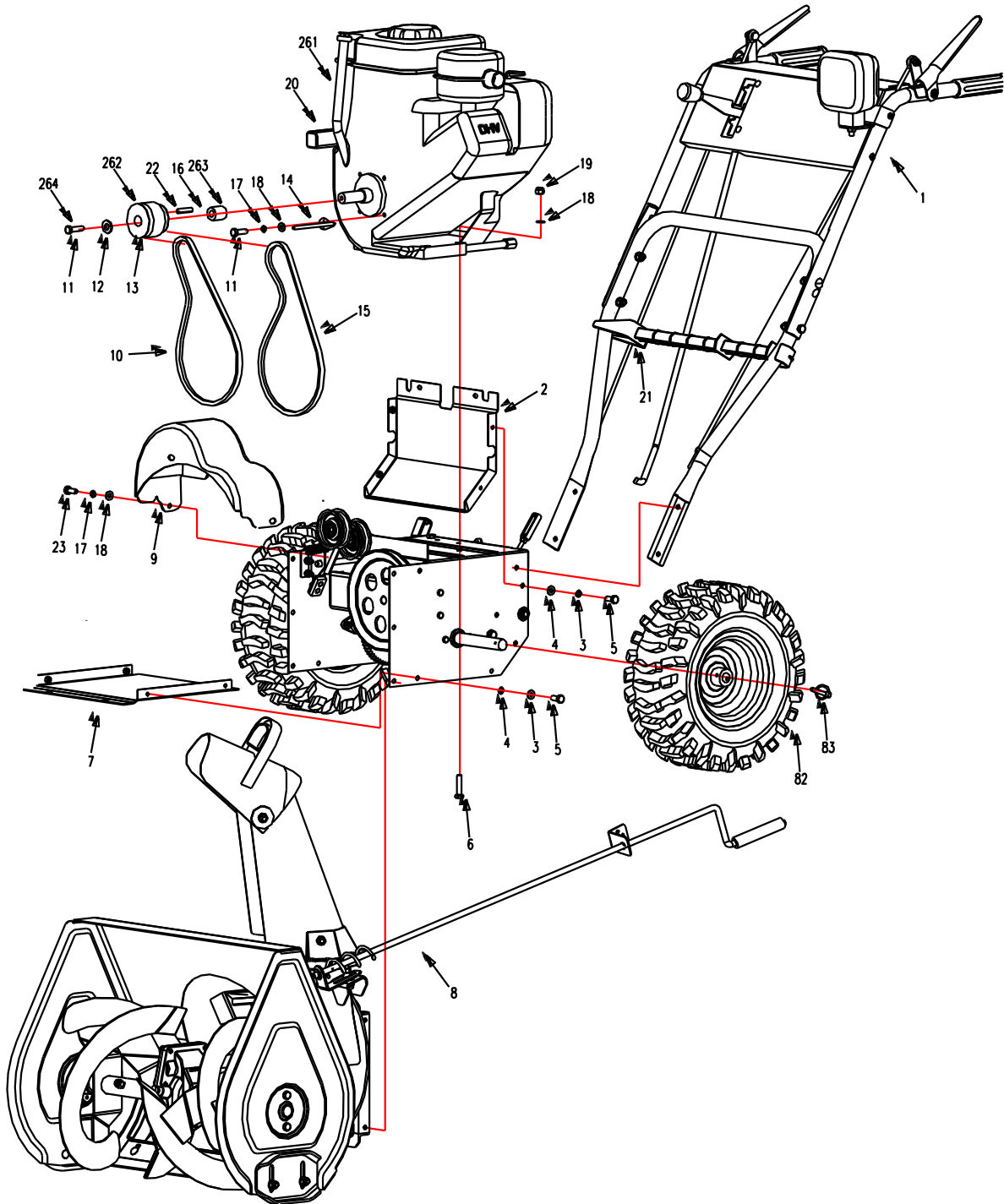


Contents

Contents

Snow Blower Assembly	1
Handle Assembly.....	3
Engine Frame Assembly	5
Blower Assembly.....	7
Wiring Harness.....	9
Decals	10

Snow Blower Assembly





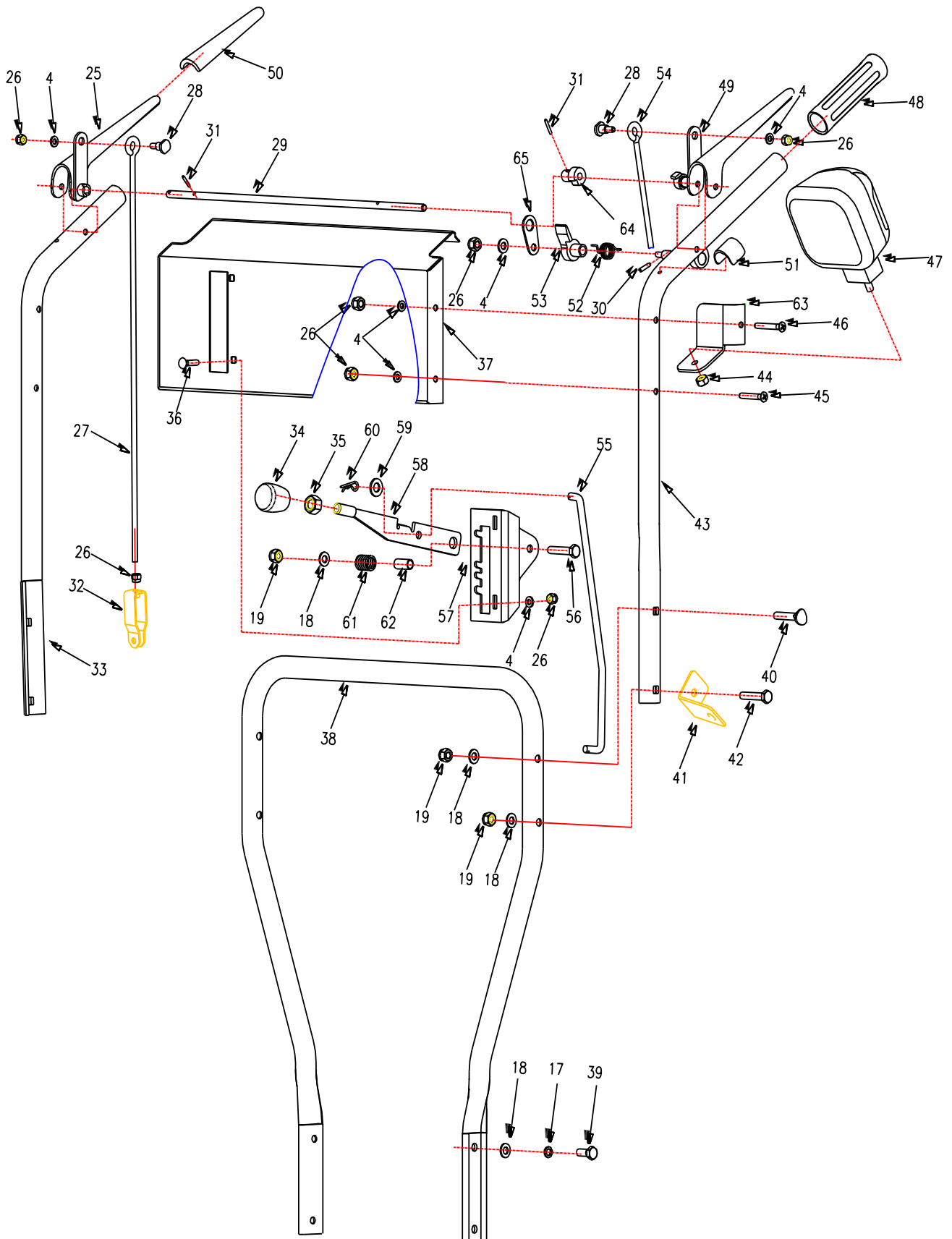
WORLDLAWN®

Snow Blower Assembly

REF.	PART NO.	DESCRIPTION	22	24
1	S221000	Handle Bar Assembly	×	×
2	S220004	Upper Cover	×	×
3	B93-6	Lock Washer M6	×	×
4	B97.1-6	Flat Washer M6	×	×
5	B5783-620	Hex Hd Bolt M6×20	×	×
6	B5783-835	Hex Hd Bolt M8×35	×	×
7	S220005	Bottom Cover	×	×
8	S223000	Auger and Housing Assembly	×	
	S243000	Auger and Housing Assembly		×
9	S220060	Belt Cover	×	×
10	S223015	Auger/Impeller Drive Belt	×	×
11	S220053	Bolt 5/16"-24UNF(for B&S)	×	×
12	XSZ56-2-17	5/16" Disc Spring Washer	×	×
13	S220052	Engine Pulley(for B&S)	×	×
14	S220054	Belt Guide	×	×
15	S222005	Traction Drive Belt	×	×

REF.	PART NO.	DESCRIPTION	22	24
16	S220051	Spacer(for B&S)	×	×
17	B93-8	Lock Washer M8	×	×
18	B97.1-8	Flat Washer M8	×	×
19	B6182-8	Locknut M8	×	×
20	S220055	Engine (B&S)	×	
	S240055	Engine (B&S)		×
21	S220006	Snow clean-out tool	×	×
22	XSS46-02	Square Key	×	×
23	B5783-820	Bolt M8×20	×	×
82	S222080	Rear Wheel Assembly	×	×
83	3301010	Linchpin	×	×
261	S225511	Engine (LCT)	×	×
262	S225514	Engine Pulley (for LCT)	×	×
263	S225512	Spacer (for LCT)	×	×
264	S225513	Bolt (for LCT)	×	×

Handle Assembly



Handle Assembly



REF.	PART NO.	DESCRIPTION	22	24
4	B97.1-6	Flat Washer M6	×	×
17	B93-8	Lock Washer M8	×	×
18	B97.1-8	Flat Washer M8	×	×
19	B6182-8	Locknut M8	×	×
25	S221045	Drive Lever-RH	×	×
26	B6182-6	Locknut M6	×	×
27	S221010	Auger/Blower Drive Rod	×	×
28	S221004	Shoulder Bolt	×	×
29	S221008	Shaft	×	×
30	B879.1-418	Roll Pin 4×18	×	×
31	B879.1-3.516	Roll Pin 3.5×16	×	×
32	S222135	Clevis	×	×
33	S221050	Handle-RH	×	×
34	B4141.11-1240	Knob M12×40	×	×
35	B6172-12	Locknut M12	×	×
36	B12-618	Hex Hd Bolt M6×18	×	×
37	S221030	Control Panel	×	×
38	S221001	Lower Handle	×	×
39	B5783-818	Hex Hd Bolt M8×18	×	×
40	XSZ56-1-15	Bolt M8x45 Carriage	×	×
41	S223155	Chute Control Bracket	×	×
42	B5782-845	Hex Hd Bolt M8×45	×	×
43	S221055	Handle-LH	×	×

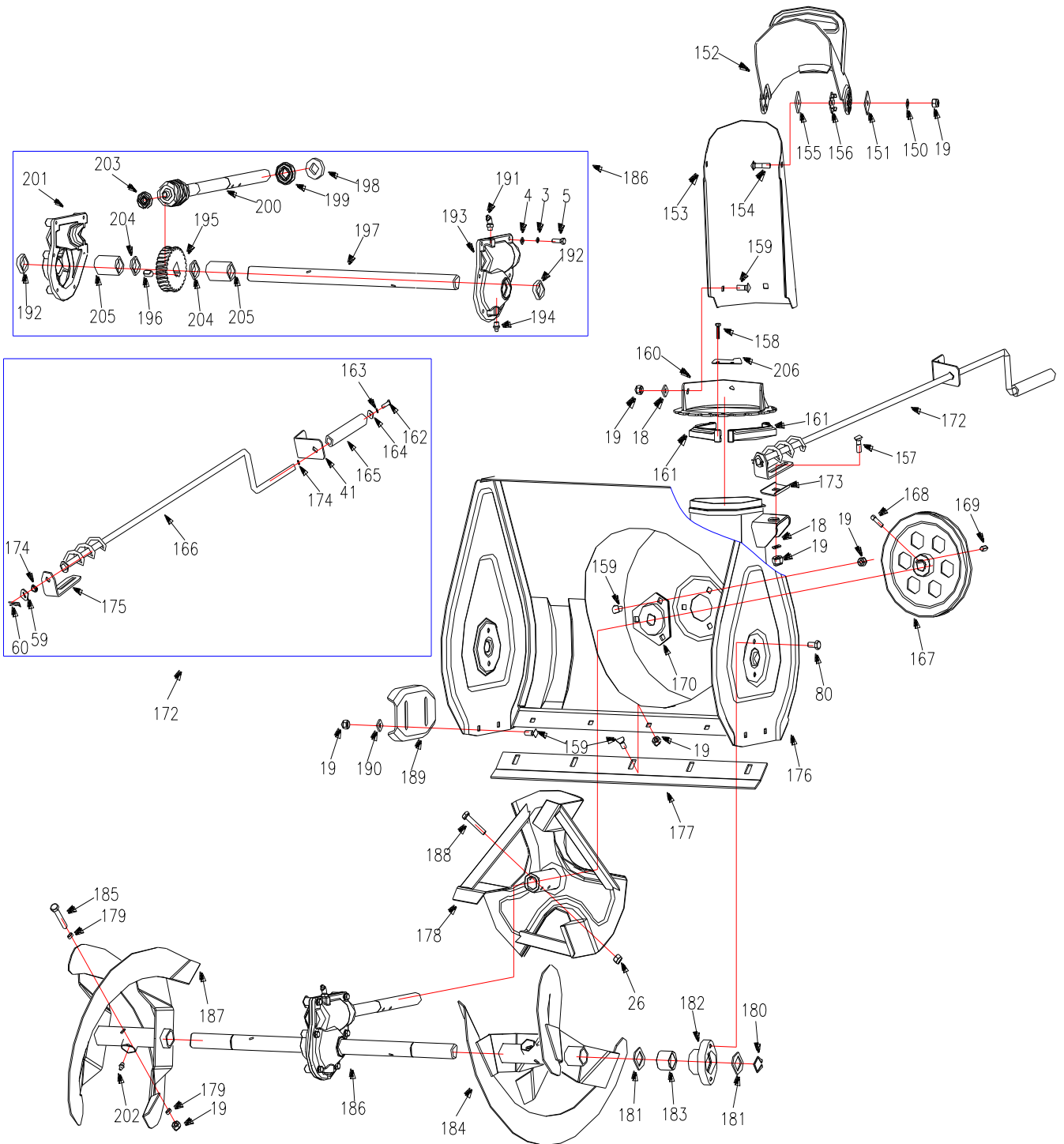
REF.	PART NO.	DESCRIPTION	22	24
44	B6177-8	Nut M8	×	×
45	B820-640	Bolt M6×40	×	×
46	B820-645	Bolt M6×45	×	×
47	S221070	Head Lamp	×	×
48	3306005	Handle Grip	×	×
49	S221040	Drive Lever-LH	×	×
50	3306006	Drive Lever Grip	×	×
51	S221018	Drive Lever Pad	×	×
52	S221017	Torsion Spring	×	×
53	S221015	Buckle	×	×
54	S221009	Wheel Drive Rod	×	×
55	S221011	Shift Rod	×	×
56	B5782-840	Hex Hd Bolt M8×40	×	×
57	S221006	Shift Plate	×	×
58	S221020	Speed Control Handle	×	×
59	B97.1-10	Flat Washer M10	×	×
60	XSZ56-1-17	Hair Pin Cotter Pin	×	×
61	S221005	Compression Spring	×	×
62	S221007	Gear Shift Bushing	×	×
63	S221013	Head Lamp Bracket	×	×
64	S221016	Drive Lock Bushing		
65	S221014	Lock Link	×	×

Engine Frame Assembly



REF.	PART NO.	DESCRIPTIO	22	24	REF.	PART NO.	DESCRIPTION	22	24
4	B97.1-6	Flat Washer M6	×	×	101	S222104	Spacer Washer	×	×
5	B5783-620	Hex Hd Bolt M6×20	×	×	102	S222110	Planetary Gear	×	×
17	B93-8	Lock Washer M8	×	×	103	S222102	Planetary Shaft	×	×
18	B97.1-8	Flat Washer M8	×	×	104	B879-432	Roll Pin 4×32	×	×
19	B6182-8	Locknut M8	×	×	105	S222103	Shifting Plate	×	×
23	B5783-820	Bolt M8×20	×	×	106	S222101	Deflector	×	×
26	B6182-6	Locknut M6	×	×	107	S222105	Spacer	×	×
32	S222135	Clevis	×	×	108	S222167	Friction Wheel Hub	×	×
54	S221009	Wheel Drive Rod	×	×	109	B1096-518	Square Key 5×18	×	×
55	S221011	Shift Rod	×	×	110	B6182-10	Locknut M10	×	×
56	B5782-840	Hex Hd Bolt M8×40	×	×	111	B5783-612	Hex Hd Bolt M6×12	×	×
59	B97.1-10	Washer M10	×	×	112	99502H	Bearing 99502-2RS	×	×
60	XSZ56-1-17	Hair Pin Cotter Pin	×	×	113	2800011	Bearing Flange	×	×
70	S222050	Friction Drive	×	×	114	B894.1-25	Snap Ring M25	×	×
71	S222121	Bushing	×	×	115	S222108	Washer	×	×
72	2800034	Idler Pulley	×	×	116	S222107	Pinion	×	×
73	3303018	Washer M8	×	×	117	S222106	Friction Wheel Shaft	×	×
74	B6184-8	Locknut M8	×	×	118	S222003	Friction Tension Spring	×	×
75	S222002	Drive Tension	×	×	119	S222008	Bolt	×	×
76	S222001	Clutch Bracket	×	×	120	S222009	Speed Adjusting Plate	×	×
77	S222120	Auger Clutch Rod	×	×	121	S222090	Traction Arm Weldment	×	×
78	B5783-618	Hex Hd Bolt M6×18	×	×	122	S222011	Spacer	×	×
80	B5783-816	Hex Hd Bolt M8×16	×	×	123	S222007	Spring	×	×
81	S222040	Engine Frame	×	×	124	S222006	Connecting Bracket	×	×
82	S222080	RH Wheel and Tire	×	×	125	S222140	Adjusting Rod Traction	×	×
83	3301010	Linchpin	×	×	126	B6170-6L	Nut M6 (HF)	×	×
84	S222130	Auger Clutch Rod	×	×	127	S222014	Turn Buckle KCCD6-M	×	×
85	B819-520	Screw M5×20	×	×	128	B896-9	Snap Ring M9	×	×
86	S222122	Brake Pad	×	×	129	B97.1-12	Flat Washer M12	×	×
87	B97.1-5	Flat Washer M5	×	×	131	B801-835	Square Bolt M8×35	×	×
88	B6182-5	Nut M5	×	×	132	S222060	Friction Drive Pulley	×	×
89	B91-212	Cotter Pin 2×12	×	×	133	S222053	Front Frame	×	×
91	S222010	Clevis Pin	×	×	134	B276-6203RS	Bearing 6203-2RS	×	×
92	S222004	Clutch Mount	×	×	135	S222052	Bushing	×	×
93	S222012	Bearing Housing	×	×	136	S222065	Bearing Housing	×	×
94	B2686-202625	Bearing20×26×25	×	×	137	S222051	Friction Drive Pad	×	×
95	B97.1-20	Flat Washer M20	×	×	138	B91-2518	Cotter Pin 2.5×18	×	×
96	S222070	Internal Gear and	×	×	139	S222081	Tire	×	×
97	B879.1-535	Roll Pin 5×35	×	×	140	S222082	Rim	×	×
98	B1096-628	Square Key 6×28	×	×	141	B6172-6	Nut M6	×	×
99	S222013	Rear Axle	×	×	142	B5783-616	Bolt M6×16	×	×
100	B62685-162025	Bearing 16×20×25	×	×	143	S222166	Friction Wheel	×	×

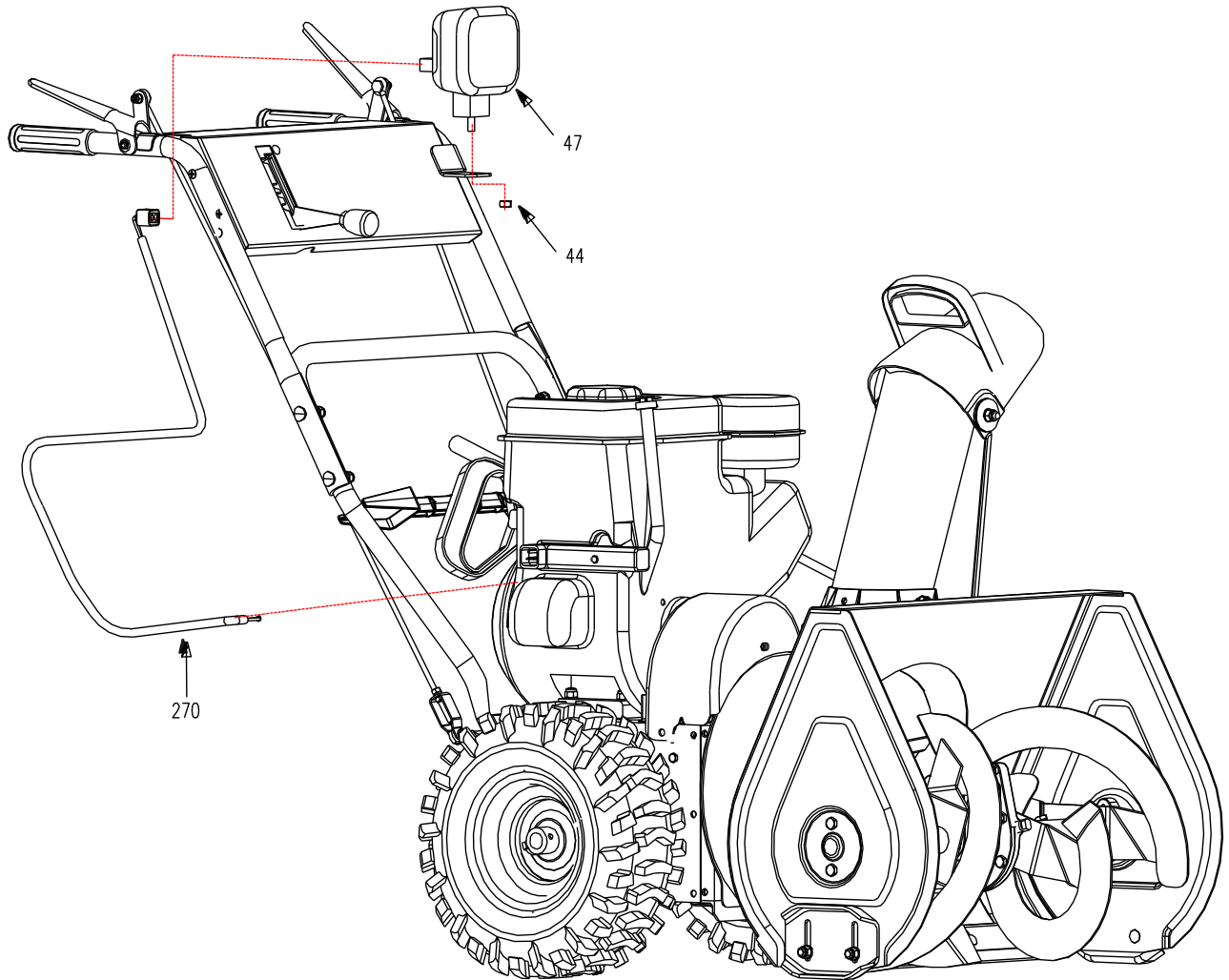
Blower Assembly



Blower Assembly



REF.	PART NO.	DESCRIPTION	22	24	REF.	PART NO.	DESCRIPTION	22	24
3	B93-6	Lock Washer M6	×	×	177	S223004	Scraper	×	
4	B97.1-6	Flat Washer M6	×	×		S243004	Scraper		×
5	B5783-620	Hex Hd Bolt M6×20	×	×	178	S223080	Impeller Weldment	×	×
18	B97.1-8	Flat Washer M8	×	×	179	S223003	Spacer	×	×
19	B6182-8	Nut M8	×	×	180	B894.1-22	Snap Ring M22	×	×
26	B6182-6	Nut M6	×	×	181	S223002	Washer	×	×
41	S223155	Bracket	×	×	182	S223001	Bearing Housing	×	×
59	B97.1-10	Washer M10	×	×	183	B2685-222825	Bearing 22×28×25	×	×
60	XSZ56-1-17	Bolt M10 x 20	×	×	184	S223070	Auger-LH Weldment	×	
80	B5783-816	Hex Hd Bolt M8×16	×	×		S243070	Auger-LH Weldment		×
150	B1972- A 16	Belleville spring A16-1	×	×	185	S223007	Safety Pin	×	×
151	S223013	Washer M8	×	×	186	S223100	Gear Case Assembly	×	
152	S223140	Chute Deflector	×	×		S243100	Gear Case Assembly		×
153	S223006	Chute	×	×	187	S223060	Auger-RH Weldment	×	
154	B801-830	Hex Hd Bolt M8×30	×	×		S243060	Auger-RH Weldment		×
155	S223008	Washer M8	×	×	188	B5782-645	Hex Hd Bolt M6×45	×	×
156	S223012	Friction Washer M8	×	×	189	S223005	Skid	×	×
157	B801-825	Hex Hd Bolt M8×25	×	×	190	2800006	Flat Washer M8	×	×
158	B5285-4.822F	Self-tapping Screw 4.8×22	×	×	191	B1153-8	Grease Fitting M8×1×45	×	×
159	B801-820	Hex Hd Bolt M8×20	×	×	192	S223310	Oil Seal	×	×
160	S223131	Chute Mount	×	×	193	S223302	Right Bushing Case	×	×
161	S223132	Chute Retainer	×	×	194	S223101	Seal Bolt	×	×
162	B823-510	Screw M5×10	×	×	195	S223306	Worm Gear	×	×
163	B93-5	Washer M5	×	×	196	B1096-818	Key 8×18	×	×
164	B96-5	Washer M5	×	×	197	S223104	Output Shaft	×	
165	S223154	Chute Control Rod Grip	×	×		S243104	Output Shaft		×
166	S223151	Rod-control, Chute	×	×	198	13871-35207	Oil Seal FB35×20×7	×	×
167	S223090	Pulley	×	×	199	B/T61904RS	Bearing 61904-2RS	×	×
168	B84-620	Screw M6×20	×	×	200	S223112	Worm Drive Shaft	×	×
169	B1096-620	Key 6×20	×	×	201	S223301	Left Bushing Case	×	×
170	B7810-UBPFT204	Ball bearing	×	×	202	B1152-6	Grease Fitting M6	×	×
172	S223150	Discharge Chute Control ASM	×	×	203	B/T16001RS	Bearing 16001-2RS	×	×
173	S223152	Chute Control Plate	×	×	204	S223311	Washer	×	×
174	MCM-10-3	Bearing	×	×	205	B12613-222515	Bearing 25×22×15	×	×
175	S223009	Worm Bracket	×	×	206	S223133	Chute Retainer Clip	×	×
176	S223050	Front Frame							
	S243050	Front Frame		×					

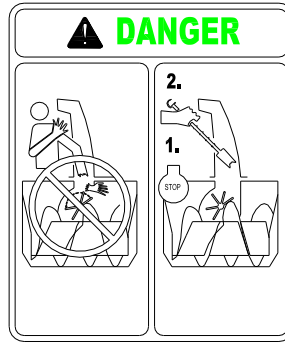


REF.	PART NO.	DESCRIPTION	22	24
44	B6177-8	Nut M8	×	×
47	S221070	Head Lamp	×	×
270	S220080	Wiring Harness	×	×

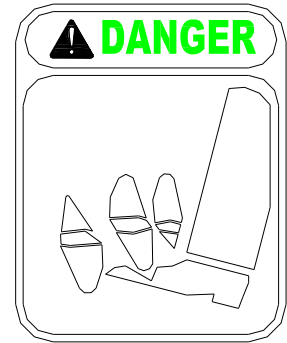
Decals



255



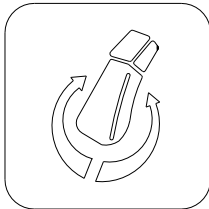
257



258



256



259

REF.	PART NO.	DESCRIPTION	22	24
255	S224004	World Logo	×	×
256	S224003	Decal, Warning	×	×
257	S224001	Decal, Warning	×	×
258	S224002	Decal, Warning	×	×
259	S224005	Decal, Chute	×	×



WORLDLAWN®

Worldlawn Power Equipment, Inc.

Industrial Park 2415 Ashland Ave. Beatrice, NE 68310

Phone: (402) 228-4255

Fax: (402) 223-4103

www.worldlawn.com

Form No. ST22103-201512