



# PARTS MANUAL

EE52FX691V34P  
EE60FX730V34P








**WWW.ENCOREEQUIPMENT.COM**

 **401 COMMERCE STREET**  
**BEATRICE, NE 68310**

 **800-267-4255**

 **402-223-4103**



**Contents**

**AVAILABLE ACCESSORIES ..... 7**

**52” – 60” CASTER ASSEMBLY ..... 8**

**FRAME ASSEMBLY..... 9**

**MOTION CONTROL ASSEMBLY..... 12**

**NEW MOTION CONTROL ASSEMBLY ..... 14**

**SUSPENSION SEAT ASSEMBLY..... 16**

**52” – 60” REAR TIRE ASSEMBLY..... 18**

**DECK LIFT ASSEMBLY..... 19**

**52” DECK ASSEMBLY..... 21**

**60” DECK ASSEMBLY..... 23**

**SPINDLE HOUSING ASSEMBLY ..... 25**

**DECK IDLER ASSEMBLY..... 26**

**DECK IDLER ..... 28**

**BRAKE CONTROL GROUP ..... 29**

**ENGINE ASSEMBLY FX691/FX730 ..... 31**

**FUEL ASSEMBLY ..... 33**

**HYDRO ASSEMBLY ..... 35**

**ROPS ASSEMBLY ..... 37**

**BATTERY GROUP ..... 38**

**WIRING HARNESS-633098J ..... 40**

**DECAL ASSEMBLY ..... 41**



---

---

## AVAILABLE ACCESSORIES

### FITS MODELS:

EE52FX691V34P

### MULCH KIT:

451004

52" MULCH KIT

### GRASS CATCHER ASSEMBLY:

5101305

52" GRASS CATCHER W/WEIGHTS

632074

52" BLOWER

542119

52" COLLECTION TUBE

### FITS MODELS:

EE60FX730V34P

### MULCH KIT:

631027

60" MULCH KIT

### GRASS CATCHER ASSEMBLY:

632086

60" GRASS CATCHER W/WEIGHTS

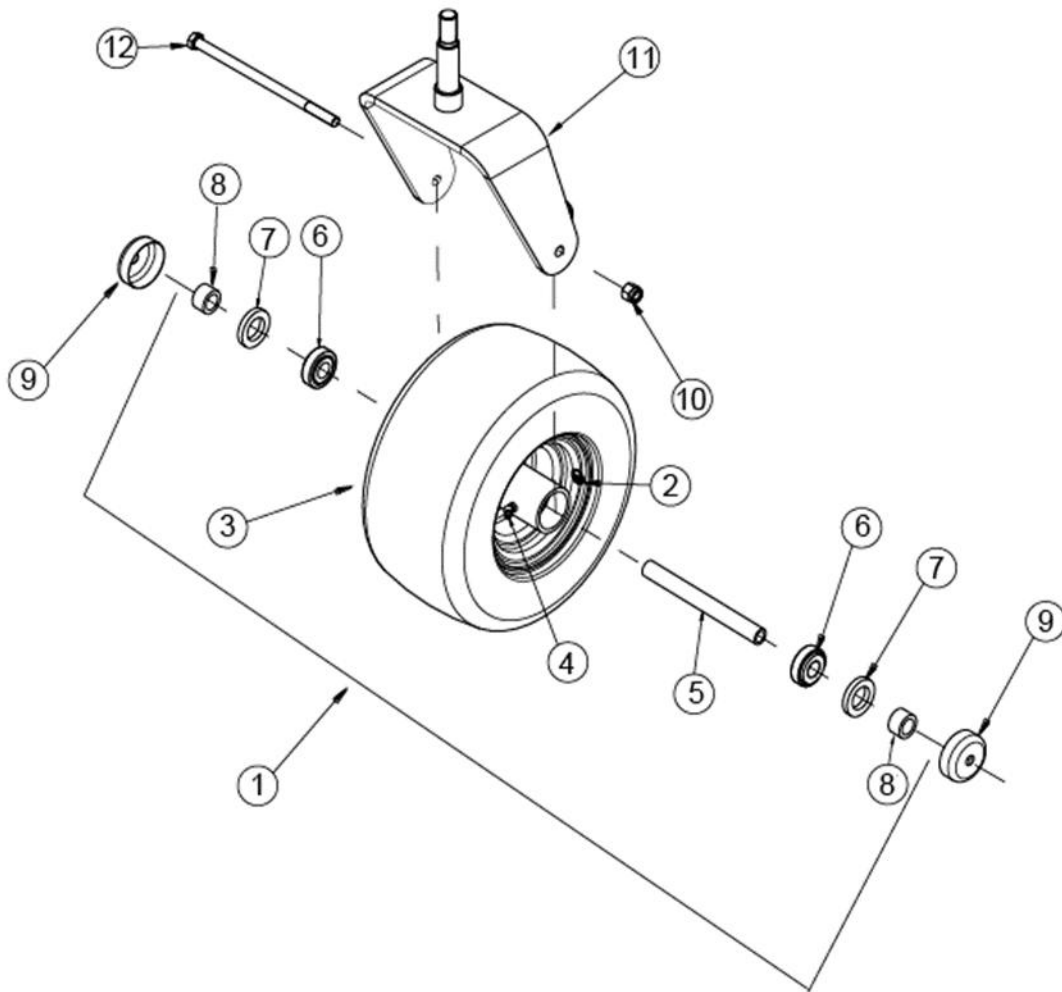
632081

60" BLOWER

542120

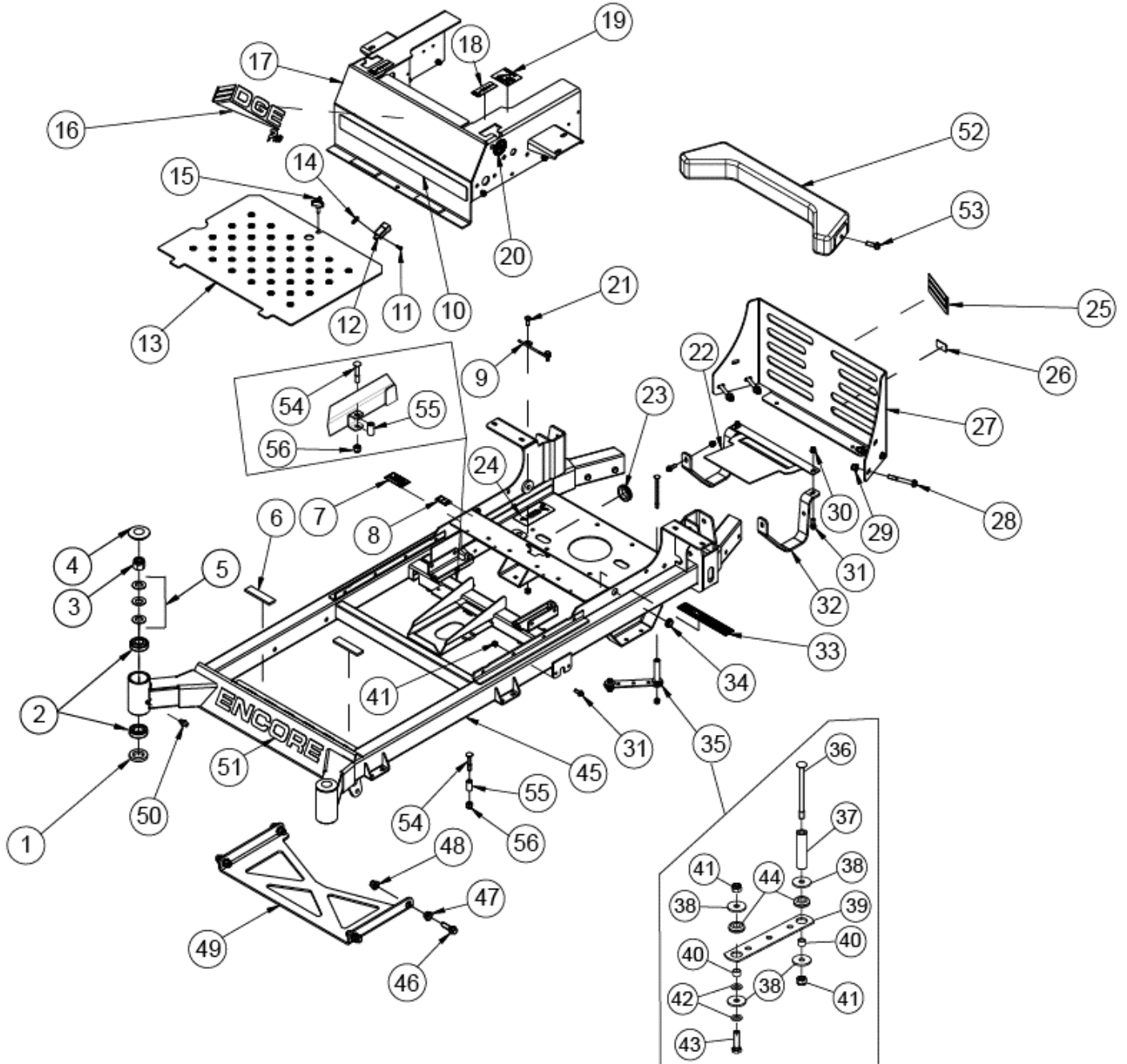
60" COLLECTION TUBE

## 52" – 60" CASTER ASSEMBLY



| ITEM | PART NO. | DESCRIPTION                    |
|------|----------|--------------------------------|
| 1    | 632141   | ASM, GRAY 13 X 6.50 X 6 SMOOTH |
| 2    | 453389   | DECAL, FRONT TIRE PRESSURE     |
| 3    | 542007   | TIRE, 13 X 6.5-6 PNEUMATIC     |
| 4    | 111009   | ZERK, 45° 1/4-28               |
| 5    | 543230   | TUBE, AXLE                     |
| 6    | 5202037  | BEARING, TAPERED ROLLER        |
| 7    | 5202036  | SEAL, LIP                      |
| 8    | 5202035  | BUSHING .78                    |
|      | 633295   | BUSHING .53                    |
| 9    | 5202026  | CAP, DUST                      |
| 10   | B6182-12 | NUT, NYLOC M12                 |
| 11   | 542011-2 | WLD, CASTER FORK 6.5, RED      |
| 12   | 543189   | BOLT, M12 X 225 MM             |

# FRAME ASSEMBLY



---



---

**FRAME ASSEMBLY**

| ITEM | PART NO.           | DESCRIPTION                  |
|------|--------------------|------------------------------|
| 1    | B13871-B32528      | SEAL (F) 32 X 52 X 8         |
| 2    | B297-30205         | BEARING 30205                |
| 3    | B6182-20           | NUT, NYLOC M20               |
| 4    | 5202009            | DUST CAP                     |
| 5    | B1972-A40          | WASHER, SPRING DISC A40      |
| 6    | 363201             | FUEL TANK PAD                |
| 7    | FOR REFERENCE ONLY | DECAL, SERIAL PLATE WL       |
| 8    | 543433             | DECAL, FUEL VALVE            |
| 9    | 633120             | RAMP, SEAT LATCH             |
| 10   | 543401             | DECAL, OPERATOR SAFETY       |
| 11   | B823-516           | SCREW M5 X 16                |
| 12   | 523034             | BRAKE SWITCH                 |
| 13   | 633011-1           | PLATE, FOOT, BLK             |
| 14   | 5208103            | NUT RACK                     |
| 15   | 633239             | KNOB, 3-PRONGED W/STUD       |
| 16   | 633325             | DECAL, EDGE PRO              |
| 17   | 632055             | ASM, SEAT CONSOLE W/DECALS   |
| 18   | 8324               | DECAL, MOTION CONTROL        |
| 19   | 543391             | DECAL, PARK BRAKE            |
| 20   | 543380             | DECAL, BEATRICE              |
| 21   | B5783-820          | SCREW, HH TAP M8 X 20        |
| 22   | 633235-1           | SHIELD, MUFFLER HEAT         |
| 23   | 453382             | GROMMET, RUBBER 1-5/16" I.D. |
| 24   | 633306             | DECAL, HYDRO RELEASE         |
| 25   | 363265             | SMALL ENCORE LOGO            |
| 26   | 8318               | DECAL, MUFFLER, TEMP         |
| 27   | 632057             | ASM, REAR GUARD W/DECAL      |
| 28   | B5787-1080         | SCREW, FLANGE HEAD M10 X 80  |
| 29   | B6183-10           | NUT, NYLOC FLANGE M10        |
| 30   | B6183-8            | NUT, FLANGED NYLOC M8        |
| 31   | B5787-825          | SCREW, HH FLANGE M8 X 25     |
| 32   | 633234-1           | STRAP, MUFFLER GUARD         |
| 33   | 543396             | DECAL, HYDRO RESERVOIR       |
| 34   | 5002030            | RUBBER BUSHING               |
| 35   | 632036             | ASM, CLUTCH STOP             |
| 36   | B801-8110          | BOLT, CARRIAGE SN M8 X 110   |
| 37   | 633118             | SPACER, TUBE                 |
| 38   | 5203408            | WASHER                       |
| 39   | 5203411            | CLUTCH STOP STRAP            |
| 40   | 5203409            | SPACER / BUSHING             |
| 41   | B6182-8            | NUT, NYLOC M8                |
| 42   | B97.1-8            | WASHER 8                     |

---

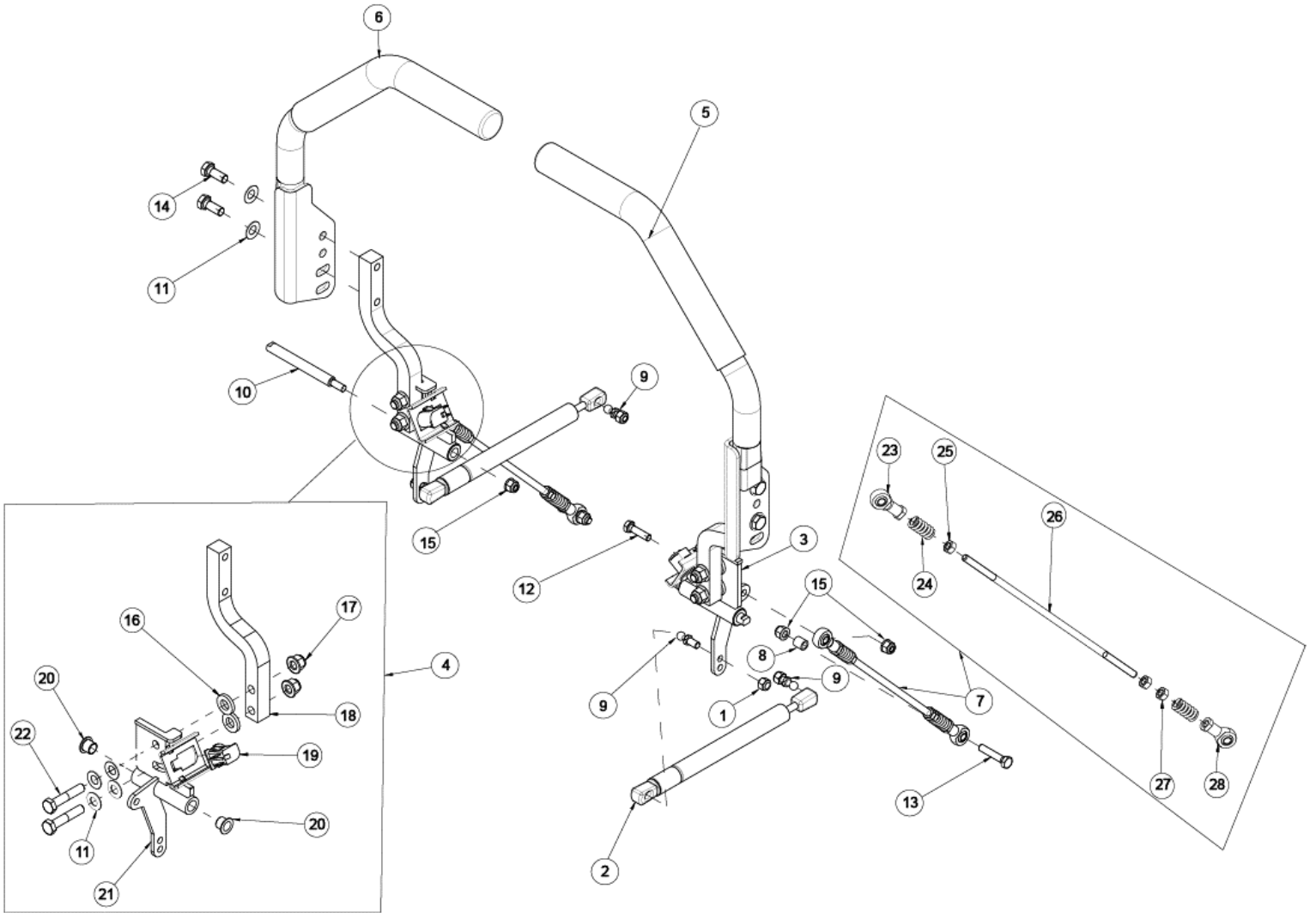


---

**FRAME ASSEMBLY**

| <b>ITEM</b> | <b>PART NO.</b> | <b>DESCRIPTION</b>                        |
|-------------|-----------------|---|
| 43          | B5783-835       | BOLT, M8 X 35                             |
| 44          | 5203410         | RUBBER RING 17                            |
| 45          | 442017          | ASM, BASIC PS FRAME                       |
| 46          | B5787-1240      | SCREW, HH FLANGED M12 X 40                |
| 47          | 453288          | BUSHING                                   |
| 48          | B6183-12        | NUT, NYLOC FLANGE M12                     |
| 49          | 633010-2        | FRONT STRUT PLATE – RED                   |
| 50          | B1152-6         | GREASE FITTING M6                         |
| 51          | 543504          | DECAL, ENCORE 16.75”                      |
| 52          | 633258-1        | WEIGHT, REAR – STANDARD ON 60”            |
| 53          | B5787-1030      | SCREW, HH FLANGE M10x30 – STANDARD ON 60” |
| 54          | B801-1055       | BOLT, CARRIAGE SN M10 X 55                |
| 55          | 393070          | DRIVE IDLER BUSHING                       |
| 56          | B6182-10        | NUT, NYLOC M10                            |

**MOTION CONTROL ASSEMBLY**



---

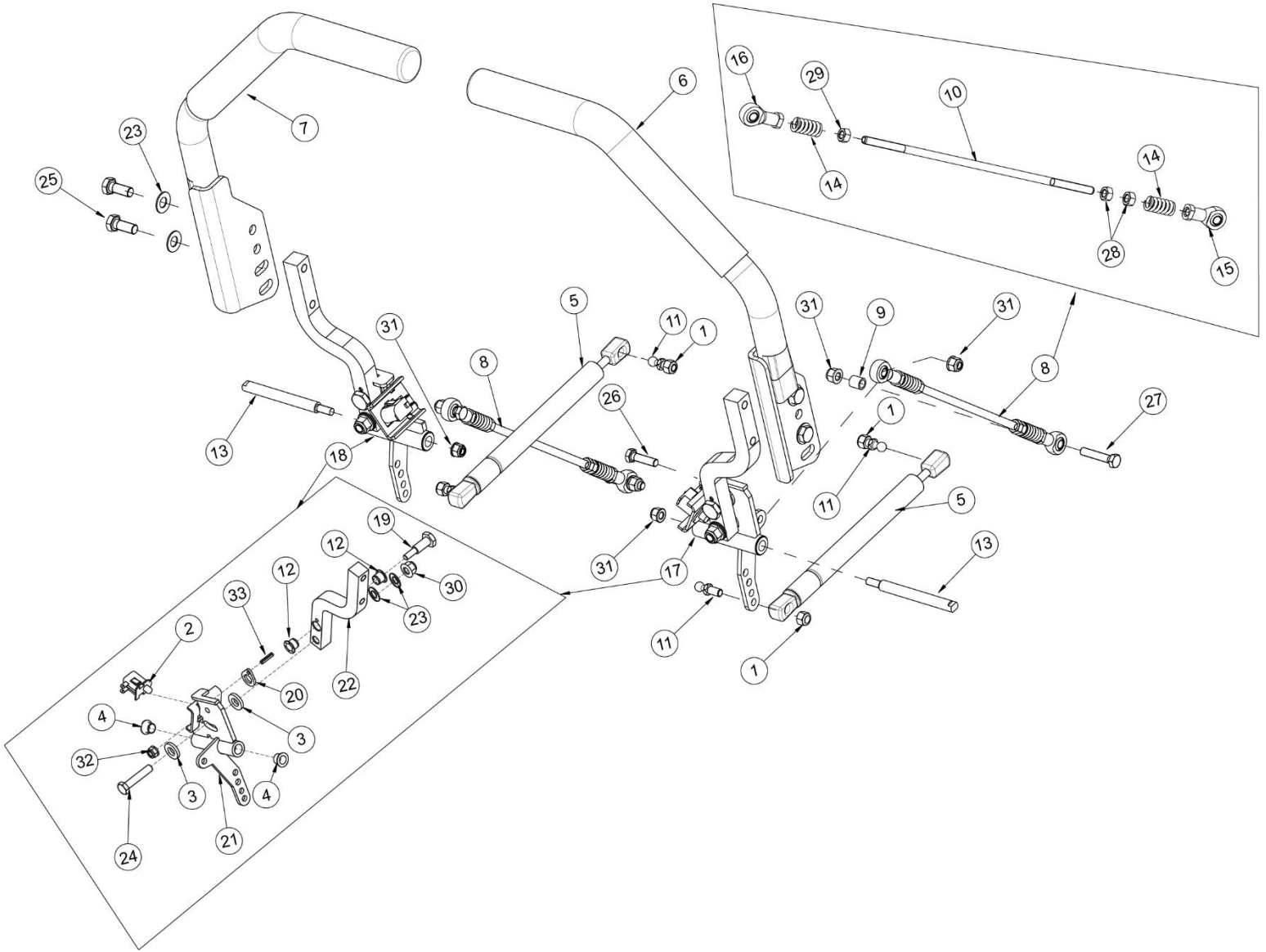


---

**MOTION CONTROL ASSEMBLY**

| ITEM | PART NO       | DESCRIPTION                       |
|------|---------------|-----------------------------------|
| 1    | 104256        | 5/16-18 HEX NYLOC NUT             |
| 2    | 583415        | DAMPENER/CONTROL                  |
| 3    | 632009        | ASM, MOTION CONTROL LH            |
| 4    | 632010        | ASM, MOTION C ONTROL RH           |
| 5    | 632028        | ASM, DRIVE LEVER LH W/ GRIP       |
| 6    | 632029        | ASM, DRIVE LEVER RH W/ GRIP       |
|      | 543156        | GRIP, MOTION CONTROL LEVER        |
| 7    | 632030        | ASM, HYDRO LINKAGE                |
| 8    | 633042        | SPACER                            |
| 9    | 823221        | 10MM BALL STUD                    |
| 10   | 5002111       | OPERATING SHAFT                   |
| 11   | B1972-A22.5-2 | WASHER, SPRING DISC A22.5 OD      |
| 12   | B5783-830     | SCREW, HH TAP M8x30               |
| 13   | B5783-840     | SCREW, HH TAP M8 X 40             |
| 14   | B5783-1025    | SCREW, HH TAP M10x25              |
| 15   | B6183-8       | NUT, FLANGED NYLOC M8             |
| 16   | 543152        | WASHER, PLASTIC                   |
| 17   | B6183-10      | NUT, NYLOC FLANGE M10             |
| 18   | 633025        | MOTION CONTROL ARM                |
| 19   | 353048        | SEAT SWITCH                       |
| 20   | 543154        | BUSHING, MOTION CONTROL           |
| 21   | 632011        | WLD, MOTION CONTROL, LH           |
|      | 632012        | WLD, MOTION CONTROL, RH           |
| 22   | B5782-1050    | BOLT 10X50                        |
| 23   | 5205017       | ROD END, SPHERICAL M8 LH SILBJK8S |
| 24   | 5205003       | SPRING, COMPRESSION               |
| 25   | B6171-8L      | NUT M8X1 (LH)                     |
| 26   | 633088        | ROD                               |
| 27   | B6171-8       | NUT M8                            |
| 28   | 5205016       | ROD END, SPHERICAL M8 RH SIBJK8S  |

# NEW MOTION CONTROL ASSEMBLY



---

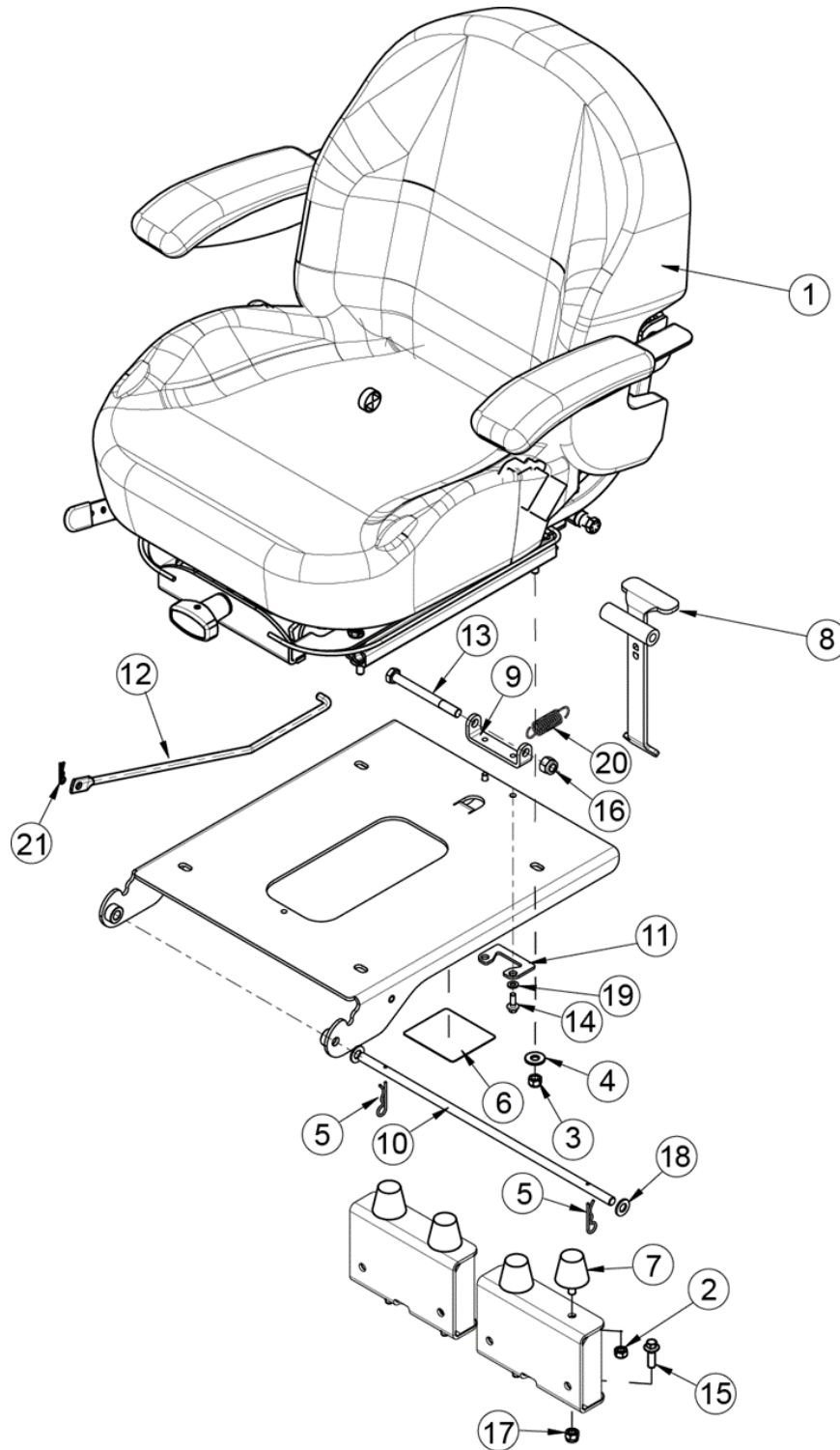


---

**NEW MOTION CONTROL ASSEMBLY**

| <b>ITEM</b> | <b>PART NO.</b> | <b>DESCRIPTION</b>                |
|-------------|-----------------|-----------------------------------|
| 1           | 104256          | 5/16-18 HEX NYLOC NUT             |
| 2           | 353048          | SEAT SWITCH                       |
| 3           | 543152          | WASHER, PLASTIC                   |
| 4           | 543154          | BUSHING, MOTION CONTROL           |
| 5           | 583415          | DAMPER/CONTROL                    |
| 6           | 632028          | ASM, DRIVE LEVER LH W/GRIP        |
| 7           | 632029          | ASM, DRIVE LEVER RH W/GRIP        |
| 8           | 632030          | ASM, HYDRO LINKAGE                |
| 9           | 633042          | SPACER                            |
| 10          | 633088          | ROD                               |
| 11          | 823221          | 10MM BALL STUD                    |
| 12          | 3224020         | BUSHING, 12X14X12                 |
| 13          | 5002111         | PIVOT SHAFT                       |
| 14          | 5205003         | SPRING, COMPRESSION               |
| 15          | 5205016         | ROD END, SPHERICAL M8 RH SIBJK8S  |
| 16          | 5205017         | ROD END, SPHERICAL M8 LH SILBJK8S |
| 17          | 632009G         | ASM, MOTION CONTROL LH            |
| 18          | 632010G         | ASM, MOTION CONTROL RH            |
| 19          | 632011-3        | BOLT, PIVOT                       |
| 20          | 632011-4        | RING, LOCK                        |
| 21          | 632011G         | WLD, MOTION CONTROL LH            |
|             | 632012G         | WLD, MOTION CONTROL RH            |
| 22          | 633025G         | ARM, MOTION CONTROL               |
| 23          | B1972-A22.5-2   | WASHER, SPRING DISC A22.5 OD      |
| 24          | B5782-1050      | BOLT 10X50                        |
| 25          | B5783-1025      | SCREW, HH TAP M10x25              |
| 26          | B5783-830       | SCREW, HH TAP M8x30               |
| 27          | B5783-840       | SCREW, HH TAP M8 X 40             |
| 28          | B6171-8         | Nut M8                            |
| 29          | B6171-8L        | Nut M8x1 (LH)                     |
| 30          | B6183-10        | NUT, NYLOC FLANGE M10             |
| 31          | B6183-8         | NUT, FLANGED NYLOC M8             |
| 32          | B6187.1-8       | NUT, M8 LOCKING FLG               |
| 33          | B879.1-522      | ROLLPIN, 5 X 22                   |

**SUSPENSION SEAT ASSEMBLY**



---

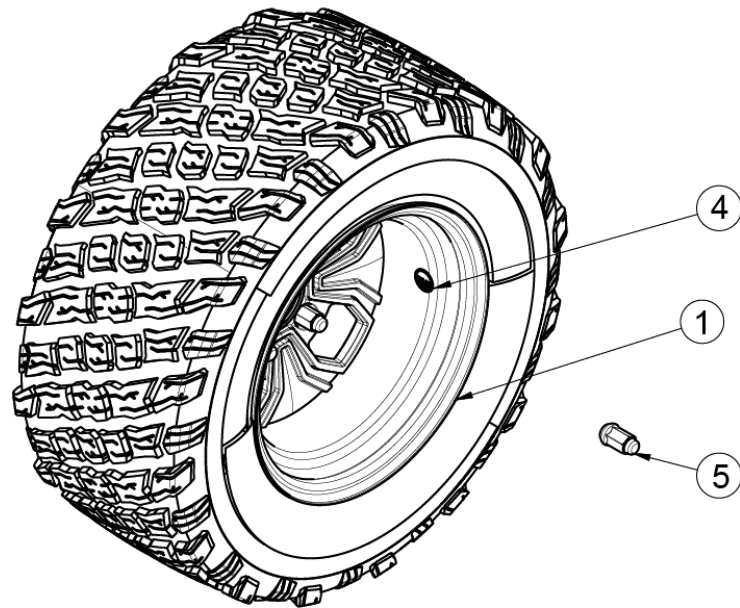
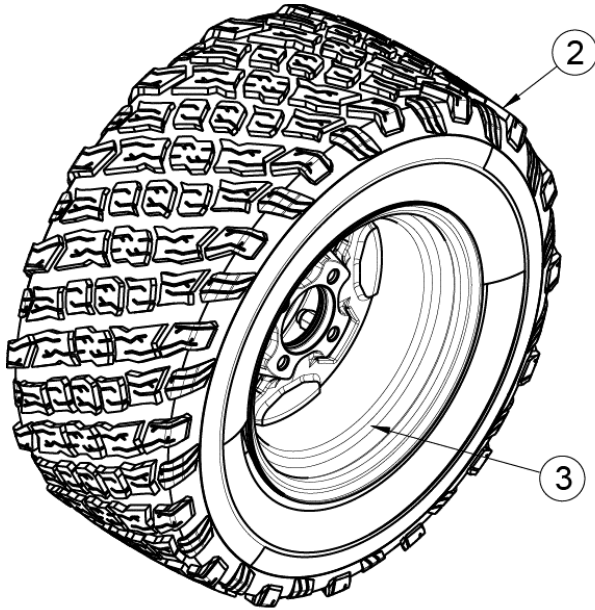


---

**SUSPENSION SEAT ASSEMBLY**

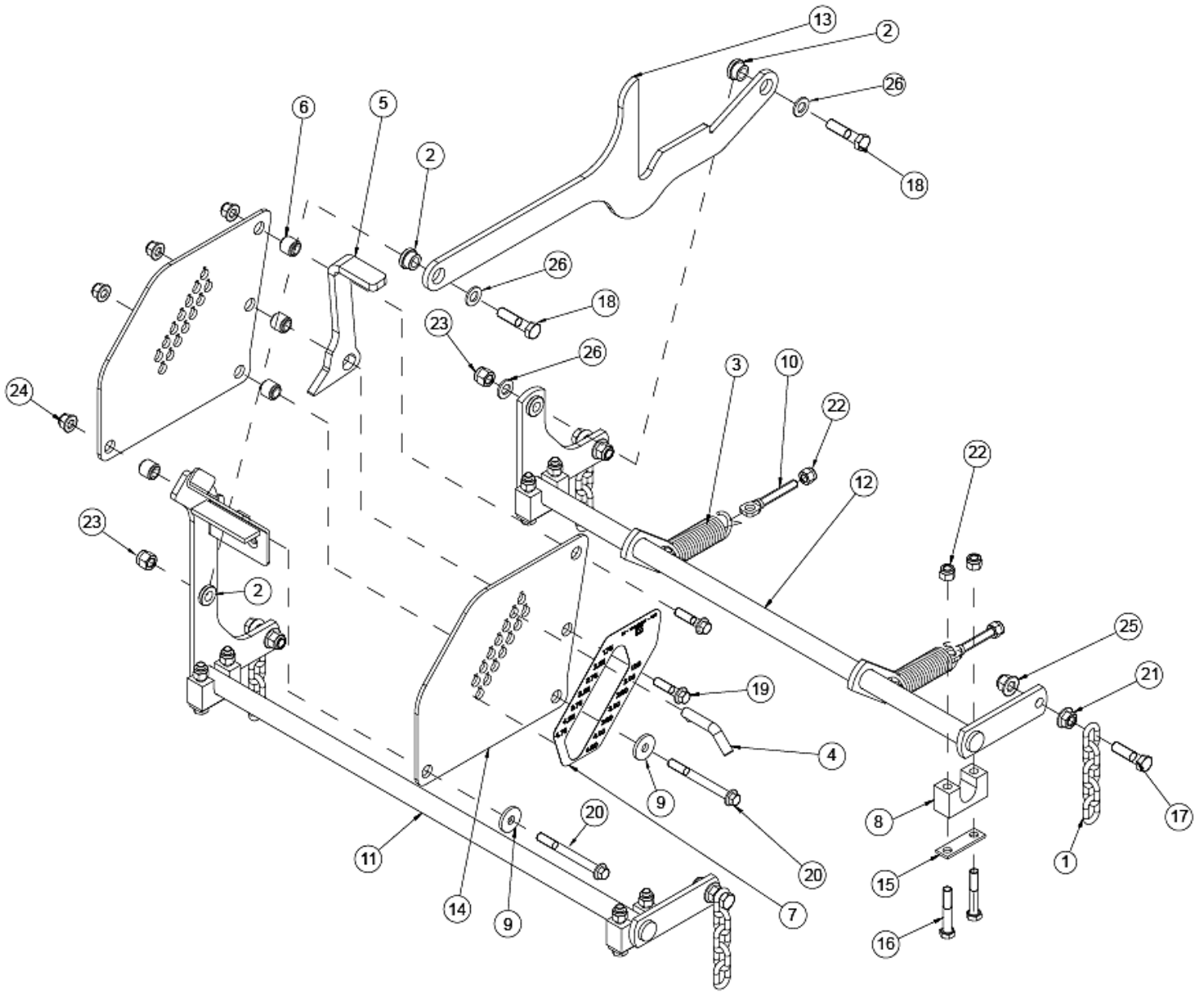
| <b>ITEM</b> | <b>PART NO.</b>    | <b>DESCRIPTION</b>                  |
|-------------|--------------------|-------------------------------------|
| <b>1</b>    | <b>633356</b>      | <b>SEAT 1110, FULL SUP MB</b>       |
| <b>2</b>    | <b>104253</b>      | <b>5/16-24 UNF NYLOC NUT</b>        |
| <b>3</b>    | <b>104256</b>      | <b>5/16-18 HEX NYLOC NUT</b>        |
| <b>4</b>    | <b>105258</b>      | <b>5/16 STD FLAT WASHER</b>         |
| <b>5</b>    | <b>363165</b>      | <b>#3 ISSCO HAIRPIN COTTER (#2)</b> |
| <b>6</b>    | <b>543397</b>      | <b>DECAL, BATTERY WARNING</b>       |
| <b>7</b>    | <b>623239</b>      | <b>BUMPER</b>                       |
| <b>8</b>    | <b>632131</b>      | <b>WLD, SEAT LATCH</b>              |
| <b>9</b>    | <b>633050</b>      | <b>STRAP, BRAKE LEVER</b>           |
| <b>10</b>   | <b>633111</b>      | <b>ROD, SEAT</b>                    |
| <b>11</b>   | <b>633370</b>      | <b>STOP, SEAT LATCH</b>             |
| <b>12</b>   | <b>633374</b>      | <b>ROD, SEAT</b>                    |
| <b>13</b>   | <b>B5782-10100</b> | <b>BOLT M10X100</b>                 |
| <b>14</b>   | <b>B5787-616</b>   | <b>SCREW, HH FLANGE M6X16</b>       |
| <b>15</b>   | <b>B5787-825</b>   | <b>SCREW, HH FLANGE M8x25</b>       |
| <b>16</b>   | <b>B6182-10</b>    | <b>NUT, NYLOC M10</b>               |
| <b>17</b>   | <b>B6182-8</b>     | <b>NUT, NYLOC M8</b>                |
| <b>18</b>   | <b>B97.1-10</b>    | <b>WASHER, FLAT M10</b>             |
| <b>19</b>   | <b>B97.1-6</b>     | <b>WASHER 6</b>                     |
| <b>20</b>   | <b>S262008</b>     | <b>RETURN SPRING</b>                |
| <b>21</b>   | <b>XSZ56-1-17</b>  | <b>HAIR PIN</b>                     |

## 52" – 60" REAR TIRE ASSEMBLY



|   | PART NO. | DESCRIPTION                     |
|---|----------|---------------------------------|
| 1 | 632140   | ASM, ALFe WHEEL GRAY            |
| 2 | 633358   | TIRE, 23 X 10.5 X 12 K3012      |
| 3 | 633369   | RIM, ALFe 12 X 8.50 GRAY        |
| 4 | 453390   | DECAL, REAR TIRE PRESSURE       |
| 5 | 103036   | LUG NUT, CAPPED 1/2-20 [CHROME] |

**DECK LIFT ASSEMBLY**



---

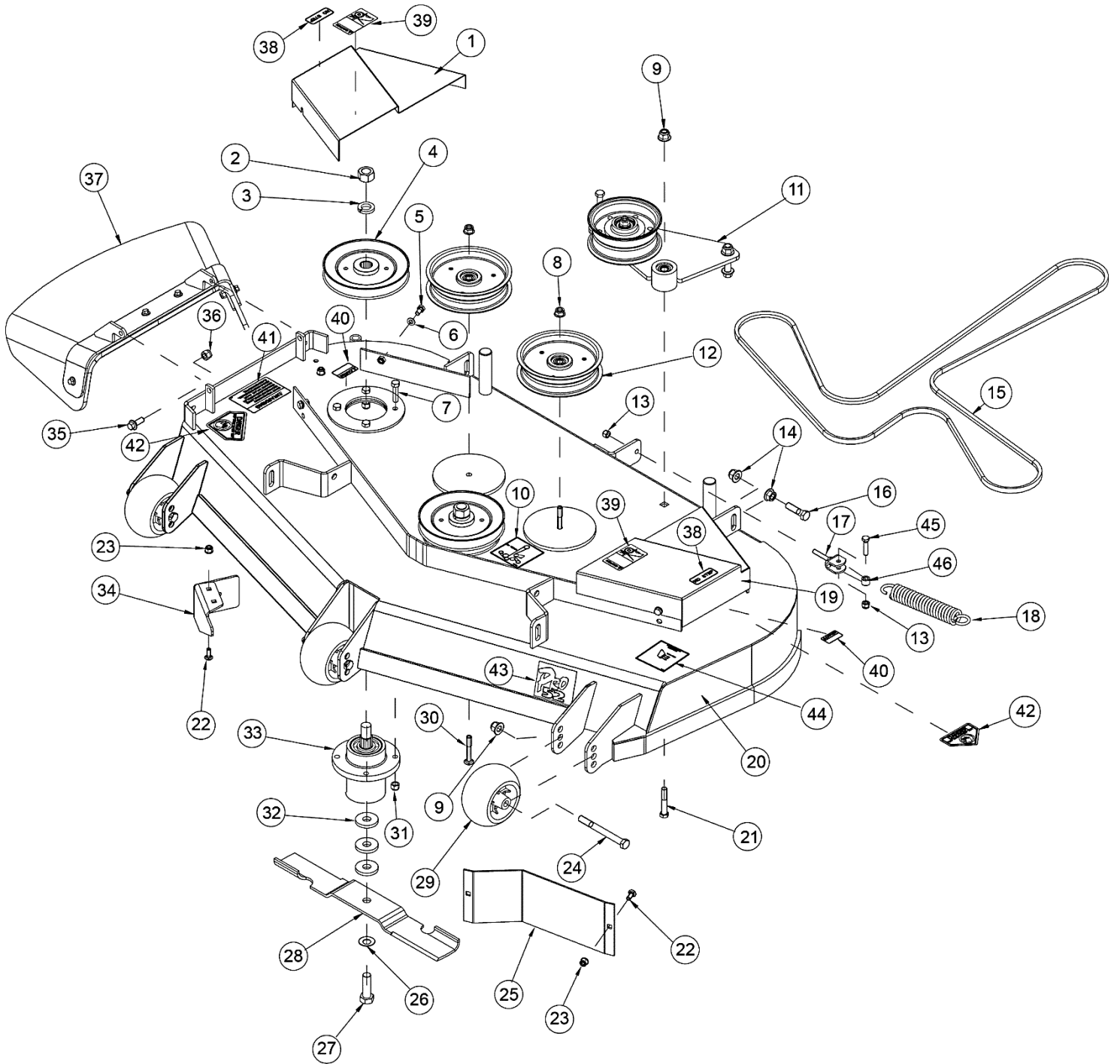


---

**DECK LIFT ASSEMBLY**

| <b>ITEM</b> | <b>PART NO</b> | <b>DESCRIPTION</b>          |
|-------------|----------------|-----------------------------|
| 1           | 423359         | FRONT CHAIN (5 LINKS)       |
| 2           | 453288         | BUSHING                     |
| 3           | 523327         | FLOATING IDLER SPRING       |
| 4           | 543207         | PIN, HOC                    |
| 5           | 633031         | LATCH, TRANSPORT            |
| 6           | 633032         | SPACER, HOC                 |
| 7           | 633106         | DECAL, DECK HEIGHT          |
| 8           | 633119         | BLOCK, 25MM PIVOT           |
| 9           | 5201083        | SPACER                      |
| 10          | 2802083B       | CONNECTING ROD              |
| 11          | 632004-1       | WLD, FT CROSS SHAFT – BLK   |
| 12          | 632005-1       | WLD, REAR CROSS SHAFT – BLK |
| 13          | 633027-1       | DECK LIFT LINK – BLACK      |
| 14          | 633028-1       | PLATE, HOC – BLACK          |
| 15          | 633220-1       | PLATE, 25MM PIVOT BLOCK     |
| 16          | B5782-1060     | BOLT 10X60                  |
| 17          | B5782-1245     | SCREW, HH M12 X 45          |
| 18          | B5782-1250     | SCREW, HH CAP M12 X 50      |
| 19          | B5787-1040     | SCREW, HH FLANGE M10X40     |
| 20          | B5787-10100    | SCREW, HH FLANGED M10 X 100 |
| 21          | B6177-12       | NUT, FLANGED M12            |
| 22          | B6182-10       | NUT, NYLOC M10              |
| 23          | B6182-12       | NUT, NYLOC M12              |
| 24          | B6183-10       | NUT, NYLOC FLANGE M10       |
| 25          | B6183-12       | NUT, NYLOC FLANGE M12       |
| 26          | B97.1-12       | WASHER 12                   |

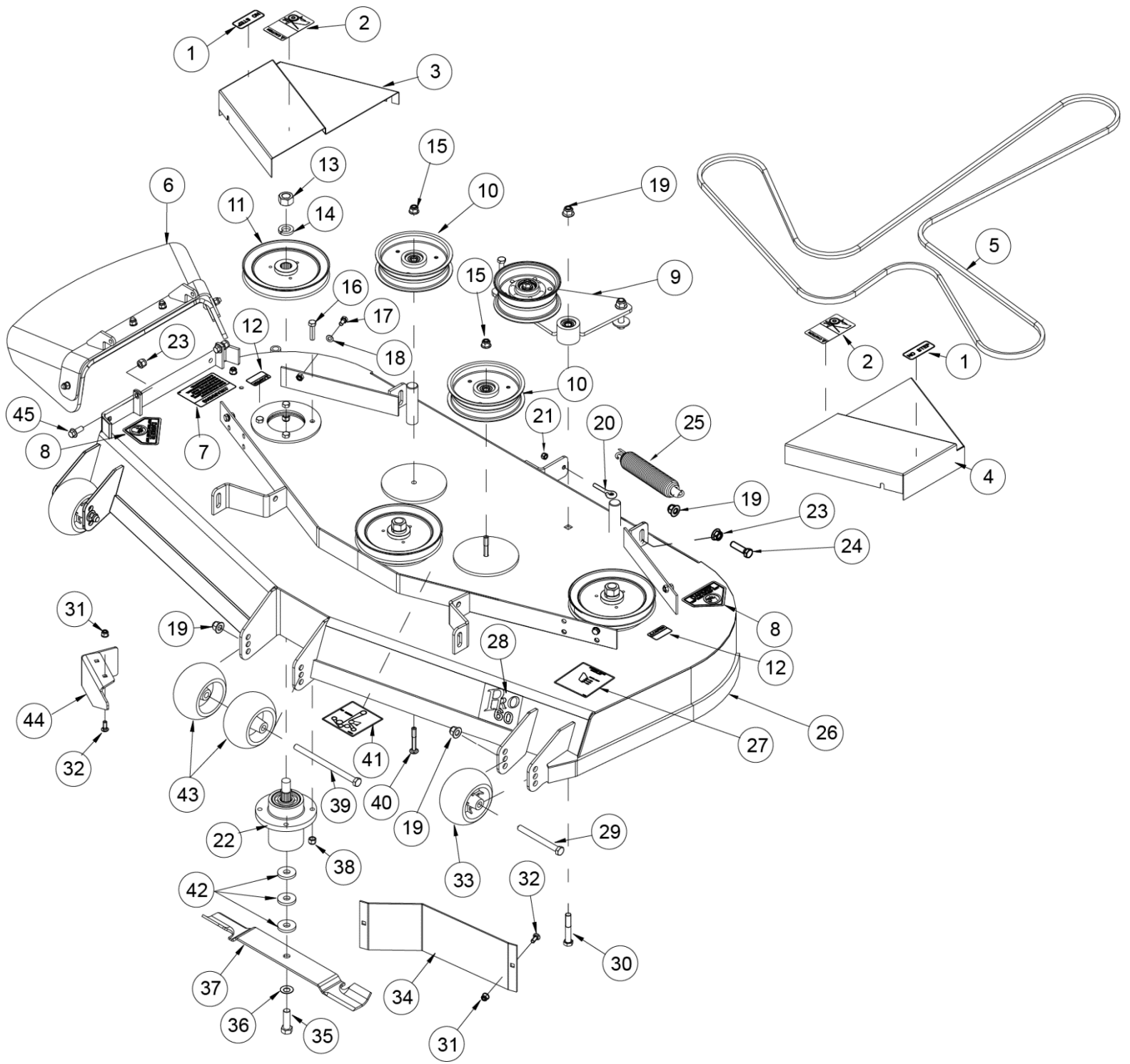
# 52" DECK ASSEMBLY



**52" DECK ASSEMBLY**

| ITEM | PART NO.    | DESCRIPTION                                     |
|------|-------------|---|
| 1    | 632047      | SHIELD, RH 52 BELT, W/DECALS                    |
| 2    | 104511      | 3/4-16 UNF REG HEX NUT                          |
| 3    | 105010      | 3/4 LOCKWASHER                                  |
| 4    | 452073      | PULLEY, DECK                                    |
| 5    | B5783-816   | SCREW, HH TAP M8X16                             |
| 6    | B97.1-8     | WASHER 8  |
| 7    | 100294      | 3/8-16 X 1-1/2 HHCS                             |
| 8    | B6187-10    | FLANGED TOPLOCK M10                             |
| 9    | B6183-12    | NUT, NYLOC FLANGE M12                           |
| 10   | 633228      | DECAL, BELT ROUTING                             |
| 11   | 632034      | ASM, DECK IDLER - DETAIL ON PG 26               |
| 12   | 542147      | ASM, 150MM FLAT IDLER W/SPACER- DETAIL ON PG 28 |
| 13   | B6182-8     | NUT, NYLOC M8                                   |
| 14   | B6177-12    | NUT, FLANGED M12                                |
| 15   | 633068      | BELT, DECK                                      |
| 16   | B5782-1245  | SCREW, HH M12 X 45                              |
| 17   | 632124      | ASM, YOKE                                       |
| 18   | 5207015     | IDLER PULLEY SPRING                             |
| 19   | 632046      | SHIELD, LH DB 52 BELT, W/DECALS                 |
| 20   | 632050      | ASM, 52 DECK W/DECALS                           |
| 21   | B801-1270   | CARRIAGE BOLT M12X70                            |
| 22   | B801-820    | BOLT, CARRIAGE SN M8X20                         |
| 23   | B6183-8     | NUT, FLANGED NYLOC M8                           |
| 24   | B5782-12120 | SCREW, HH M12 X 120                             |
| 25   | 543046      | BAFFLE, BIRDWING LH                             |
| 26   | 583108      | 5/8 SPRING DISC WASHER                          |
| 27   | 100347      | 5/8-11 X 2 HHCS                                 |
| 28   | 823004      | 18" HI LIFT BLADE                               |
|      | 823353      | 18" MULCHING BLADE                              |
| 29   | 543225      | ROLLER, ANTI SCALP                              |
| 30   | B801-1060   | BOLT, CARRIAGE M10 X 60                         |
| 31   | 104257      | 3/8-16 HEX NYLOC NUT                            |
| 32   | 363382      | BLADE SPACER                                    |
| 33   | 583106      | BLADE SPINDLE ASSY - DETAIL ON PG 25            |
| 34   | 543213-2    | BAFFLE, DOGLEG 52, RED                          |
| 35   | B5787-1025  | SCREW, HH FLANGE M10X25                         |
| 36   | B6182-10    | NUT, NYLOC M10                                  |
| 37   | 6001050A    | ASM, DISCHARGE CHUTE 52/60                      |
| 38   | 8304        | DECAL, NO STEP                                  |
| 39   | 8008        | DECAL, CAUTION, GUARDING LG                     |
| 40   | 8303        | DECAL, CAUTION, GUARDING SM                     |
| 41   | 8307        | DECAL, DISCHARGE WARNING                        |
| 42   | 363023      | DANGER DECAL, HANDS AND FEET                    |
| 43   | 523493      | DECAL, PRO 52                                   |
| 44   | 633228      | DECAL, BELT ROUTING                             |
| 45   | B5783-835   | BOLT M8X35                                      |
| 46   | 633301      | BUSHING   |

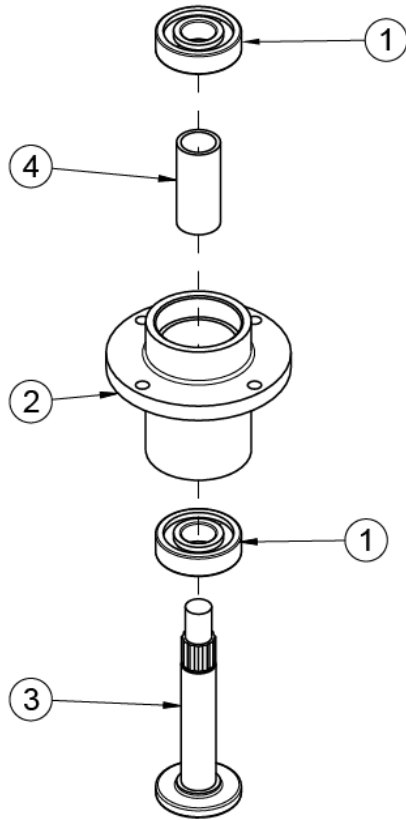
# 60" DECK ASSEMBLY



## 60" DECK ASSEMBLY

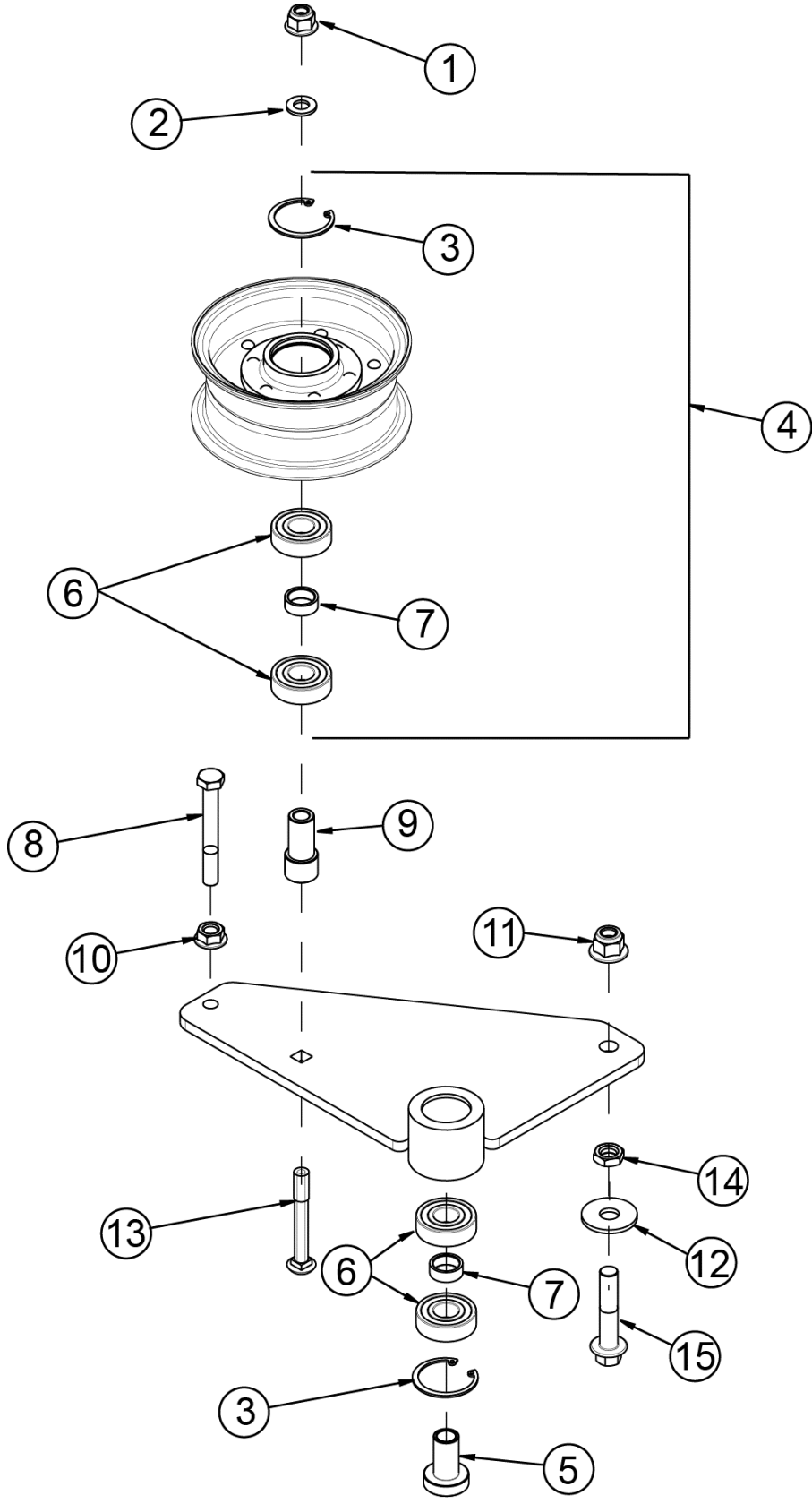
| ITEM | PART NO.    | DESCRIPTION                                      |
|------|-------------|--|
| 1    | 8304        | DECAL, NO STEP                                   |
| 2    | 8008        | DECAL, CAUTION, GUARDING LG                      |
| 3    | 632092      | SHIELD, RH DB 60 BELT W/DECALS                   |
| 4    | 632091      | SHIELD, LH DB 60 BELT W/DECALS                   |
| 5    | 633338      | BELT, 60 DECK                                    |
| 6    | 6001050A    | ASM, DISCHARGE CHUTE 52/60                       |
| 7    | 8307        | DECAL, DISCHARGE WARNING                         |
| 8    | 363023      | DANGER DECAL, HANDS AND FEET                     |
| 9    | 632034      | ASM, DECK IDLER – DETAIL ON PG 26                |
| 10   | 542147      | ASM, 150MM FLAT IDLER W/SPACER – DETAIL ON PG 28 |
| 11   | 632044      | PULLEY, 60 DB DECK                               |
| 12   | 8303        | DECAL, CAUTION, GUARDING SM                      |
| 13   | 104511      | 3/4-16 UNF REG HEX NUT                           |
| 14   | 105010      | 3/4 LOCKWASHER                                   |
| 15   | B6183-10    | NUT, NYLOC FLANGE M10                            |
| 16   | 100294      | 3/8-16 X 1-1/2 HHCS                              |
| 17   | B5783-816   | SCREW, HH TAP M8 X 16                            |
| 18   | B97.1-8     | WASHER 8   |
| 19   | B6183-12    | NUT, NYLOC FLANGE M12                            |
| 20   | 363080      | EYEBOLT-RIGHT                                    |
| 21   | 104256      | 5/16-18 HEX NYLOC NUT                            |
| 22   | 583106      | BLADE SPINDLE ASSY – DETAIL ON PG 25             |
| 23   | B6182-10    | NUT, NYLOC M10                                   |
| 24   | B5783-1245  | SCREW, HH TAP M12 X 45                           |
| 25   | 632134      | SPRING KIT                                       |
| 26   | 632090      | ASM, 60 DB DECK W/DECALS                         |
| 27   | 543392      | DECAL, ANTI-SCALP ROLLER                         |
| 28   | 543402      | DECAL, PRO 60                                    |
| 29   | B5782-12120 | SCREW, HH M12 X 120                              |
| 30   | B801-1270   | CARRIAGE BOLT M12X70                             |
| 31   | B6183-8     | NUT, FLANGED NYLOC M8                            |
| 32   | B801-820    | BOLT, CARRIAGE SN M8 X 20                        |
| 33   | 543225      | ROLLER, ANTI SCALP                               |
| 34   | 543217-2    | BAFFLE, BIRDWING 60, RED                         |
| 35   | 100347      | 5/8-11 X 2 HHCS                                  |
| 36   | 583108      | 5/8 SPRING DISC WASHER                           |
| 37   | 633335      | BLADE, 20.5" HI-LIFT                             |
|      | 633340      | BLADE, 20.5" MULCH                               |
| 38   | 104257      | 3/8-16 HEX NYLOC NUT                             |
| 39   | 5202029     | SCREW, HH CAP M12 X 185                          |
| 40   | B801-1060   | BOLT, CARRIAGE M10 X 60                          |
| 41   | 633228      | DECAL, BELT ROUTING                              |
| 42   | 363382      | BLADE SPACER                                     |
| 43   | 423023      | ROLLER, ANTI SCALP                               |
| 44   | 543214-2    | BAFFLE, DOGLEG 60, RED                           |
| 45   | B5787-1025  | SCREW, HH FLANGE M10 X 25                        |

## SPINDLE HOUSING ASSEMBLY



| ITEM | PART NO. | DESCRIPTION             |
|------|----------|-------------------------|
| 1    | 363350   | BEARING – BLADE SPINDLE |
| 2    | 583111   | SPINDLE HOUSING         |
| 3    | 583112   | SPINDLE SHAFT           |
| 4    | 583113   | BEARING SPACER TUBE     |

# DECK IDLER ASSEMBLY



---

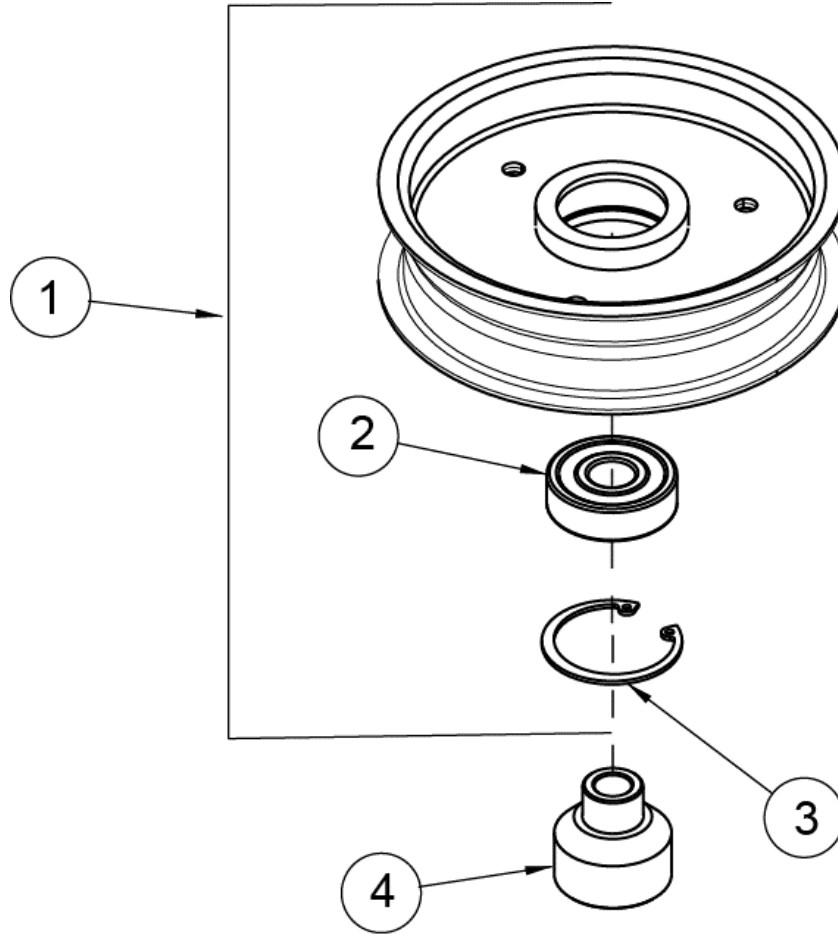


---

**DECK IDLER ASSEMBLY**

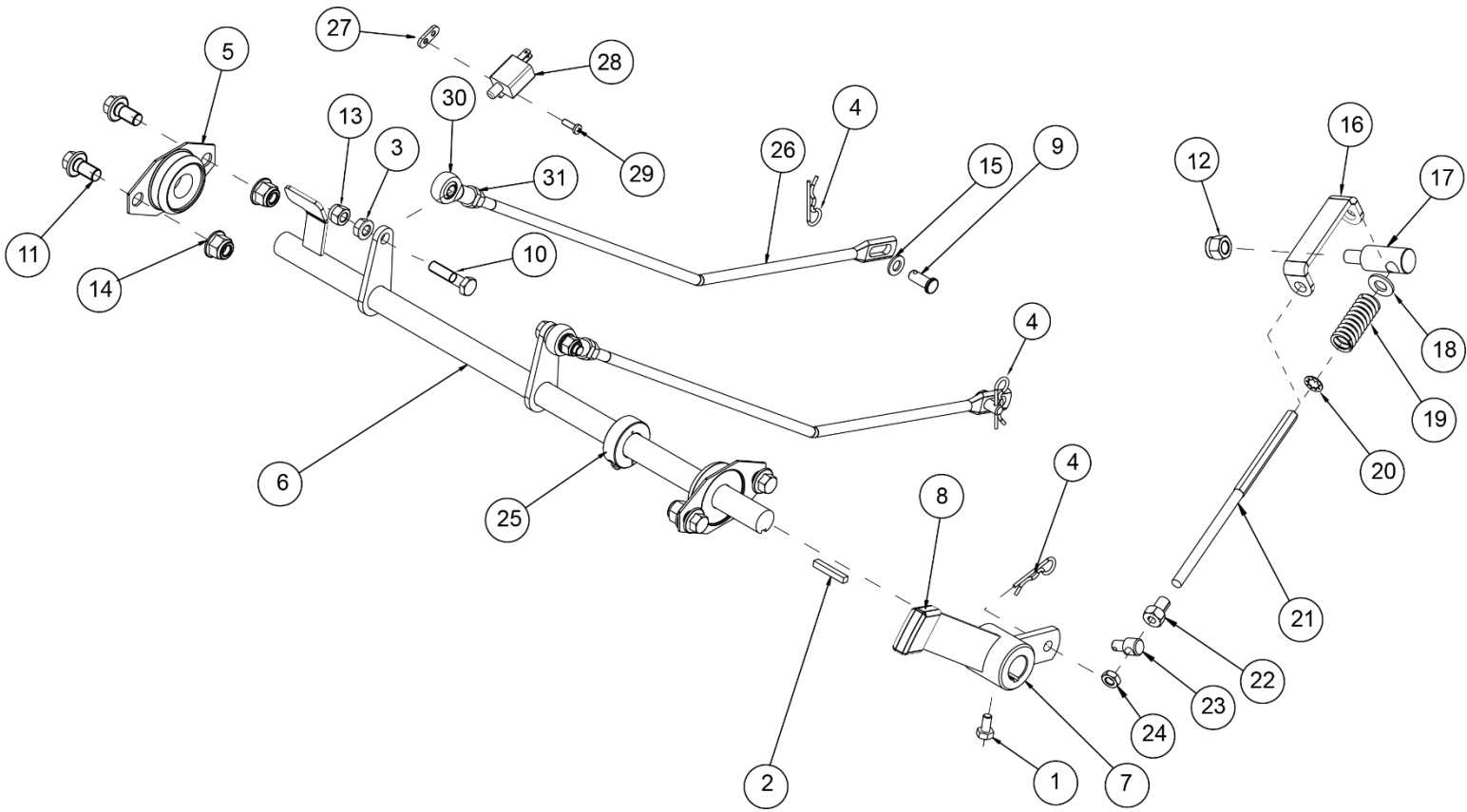
| <b>ITEM</b> | <b>PART NO.</b> | <b>DESCRIPTION</b>        |
|-------------|-----------------|---------------------------|
| 1           | B6183-10        | NUT, NYLOC FLANGE M10     |
| 2           | B97.1-10        | WASHER, FLAT M10          |
| 3           | B893.1-40       | SNAP RING 40              |
| 4           | 462072          | ASM, IDLER PULLEY         |
| 5           | 633015          | STEPPED SPACER            |
| 6           | B276-6203RS     | BEARING 6203-2RS          |
| 7           | 5201077         | BUSHING                   |
| 8           | B5782-1080      | BOLT M10 X 80             |
| 9           | 463220          | SPACER, IDLER PULLEY      |
| 10          | B6177-10        | NUT, FLANGED M10          |
| 11          | B6183-12        | NUT, NYLOC FLANGE M12     |
| 12          | B96-12          | WASHER, FLAT LARGE M12    |
| 13          | B801-1075       | BOLT, CARRIAGE M10 X 75   |
| 14          | B6172.1-12      | NUT, JAM M12              |
| 15          | B5787-1260      | SCREW, HH FLANGE M12 X 60 |

### DECK IDLER



| ITEM | PART NO.    | DESCRIPTION                         |
|------|-------------|-------------------------------------|
| 1    | 542138      | IDLER, FLAT 150MM W/BRG & SNAP RING |
| 2    | B276-6303RS | BEARING 6303-2RS                    |
| 3    | B893.1-47   | SNAP RING 47                        |
| 4    | 543450      | STAND-OFF, LG IDLER                 |

**BRAKE CONTROL GROUP**



---

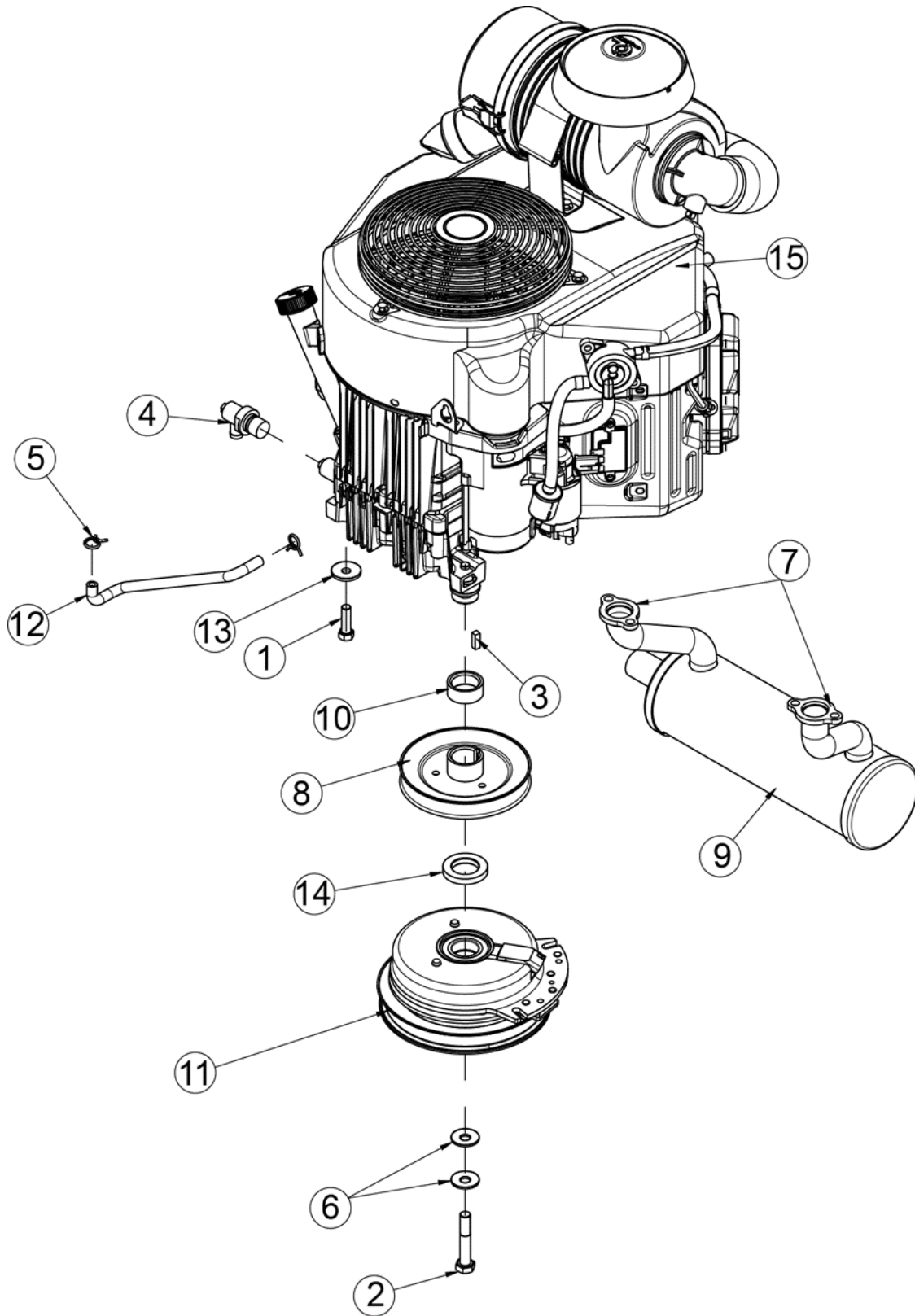


---

**BRAKE CONTROL GROUP**

| ITEM | PART NO    | DESCRIPTION                      |
|------|------------|----------------------------------|
| 1    | 100501     | 1/4-28 X 1/2 HHCS                |
| 2    | 107264     | 3/16 X 3/16 X 1-1/4 MACH KEY     |
| 3    | B6177-8    | NUT, WHIZLOCK M8                 |
| 4    | XSZ56-1-17 | HAIR PIN                         |
| 5    | 423140     | 3/4 I.D. 2 BOLT BEARING          |
| 6    | 632013     | WLD, BRAKE SHAFT                 |
| 7    | 632015     | ASM, BRAKE LEVER                 |
| 8    | 543300     | GRIP, PARK BRAKE                 |
| 9    | B882B-820  | PIN, 8 X 20 CLEVIS               |
| 10   | B5782-835  | BOLT M8X35                       |
| 11   | B5787-1020 | SCREW, HH FLANGED M10 X 20       |
| 12   | B6182-10   | NUT, NYLOC M10                   |
| 13   | B6182-8    | NUT, NYLOC M8                    |
| 14   | B6183-10   | NUT, NYLOC FLANGE M10            |
| 15   | B97.1-8    | WASHER 8                         |
| 16   | 593114     | PARK BRAKE STRAP - PLATED        |
| 17   | 633116     | SWIVEL, PARK BRAKE               |
| 18   | 105259     | 3/8 SAE FLAT WASHER              |
| 19   | 523024     | SPRING, COMPRESSION              |
| 20   | 363177     | 3/8 PUSH NUT                     |
| 21   | 463089     | ROD, SHORT BRAKE                 |
| 22   | 593116     | BRAKE SPRING NUT – PLATED        |
| 23   | 463231     | SWIVEL, PARK BRAKE ROD           |
| 24   | 104751     | 5/16-18 HEX JAM NUT              |
| 25   | 523138     | 3/4" CLAMP COLLAR                |
| 26   | 632019     | ASM, BRAKE LINK                  |
| 27   | 5208103    | NUT RACK                         |
| 28   | 523034     | BRAKE SWITCH                     |
| 29   | B823-516   | SCREW, M5 X 16                   |
| 30   | 5205016    | ROD END, SPHERICAL M8 RH SIBJK8S |
| 31   | B6171-8    | NUT M8                           |

# ENGINE ASSEMBLY FX691/FX730



---

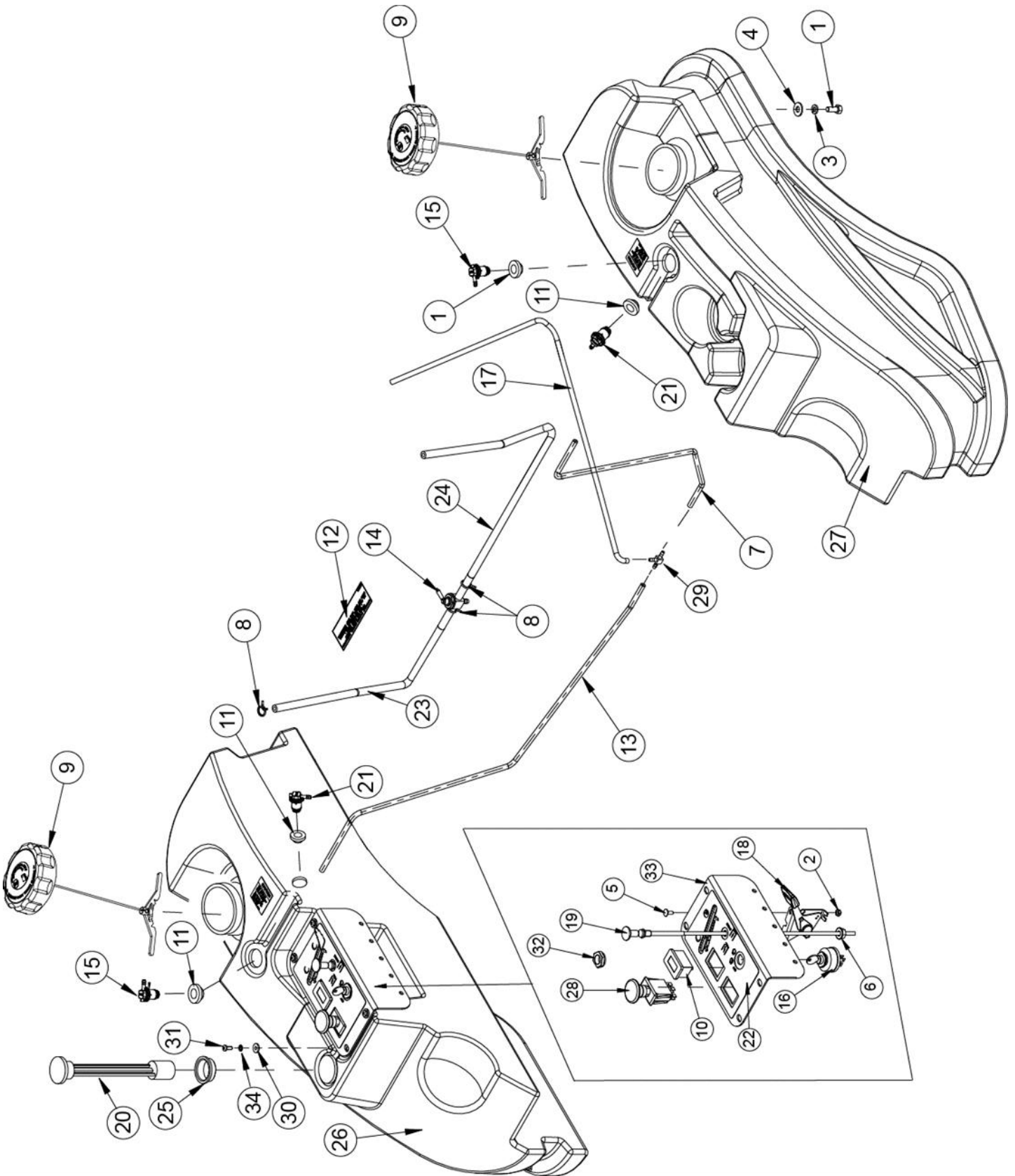


---

**ENGINE ASSEMBLY FX691**

| <b>ITEM</b> | <b>PART NO.</b>           | <b>DESCRIPTION</b>                         |
|-------------|---------------------------|--|
| <b>1</b>    | <b>100293</b>             | <b>3/8-16 X 1-1/4 HHCS</b>                 |
| <b>2</b>    | <b>100535</b>             | <b>7/16-20 X 2-1/2 HHCS</b>                |
| <b>3</b>    | <b>107258</b>             | <b>1/4 X 1/4 X 3/4 MACH KEY</b>            |
| <b>4</b>    | <b>343146</b>             | <b>90 DEGREE DRAIN -KAW BLK</b>            |
| <b>5</b>    | <b>363098</b>             | <b>CLAMP, FUEL LINE 1/4 ID</b>             |
| <b>6</b>    | <b>423069</b>             | <b>SPRING DISC. WASHER - 7/16</b>          |
| <b>7</b>    | <b>483098</b>             | <b>MUFFLER GASKET – 19, 21, 23, 25 KAW</b> |
| <b>8</b>    | <b>543003</b>             | <b>SHEAVE, PUMP DRIVE</b>                  |
| <b>9</b>    | <b>633033</b>             | <b>MUFFLER, KAWASAKI FR691</b>             |
| <b>10</b>   | <b>633038</b>             | <b>SPACER, ENGINE</b>                      |
| <b>11</b>   | <b>633073</b>             | <b>CLUTCH, 175 LB</b>                      |
| <b>12</b>   | <b>633099</b>             | <b>HOSE, FUEL 1/4 X 14"</b>                |
| <b>13</b>   | <b>753027</b>             | <b>SPRING DISC WASHER</b>                  |
| <b>14</b>   | <b>823248</b>             | <b>CLUTCH SPACER 9/32</b>                  |
| <b>15</b>   | <b>FOR REFERENCE ONLY</b> | <b>ENGINE, KAW FX691V</b>                  |
|             | <b>FOR REFERENCE ONLY</b> | <b>ENGINE, KAW FX730V</b>                  |

# FUEL ASSEMBLY



---

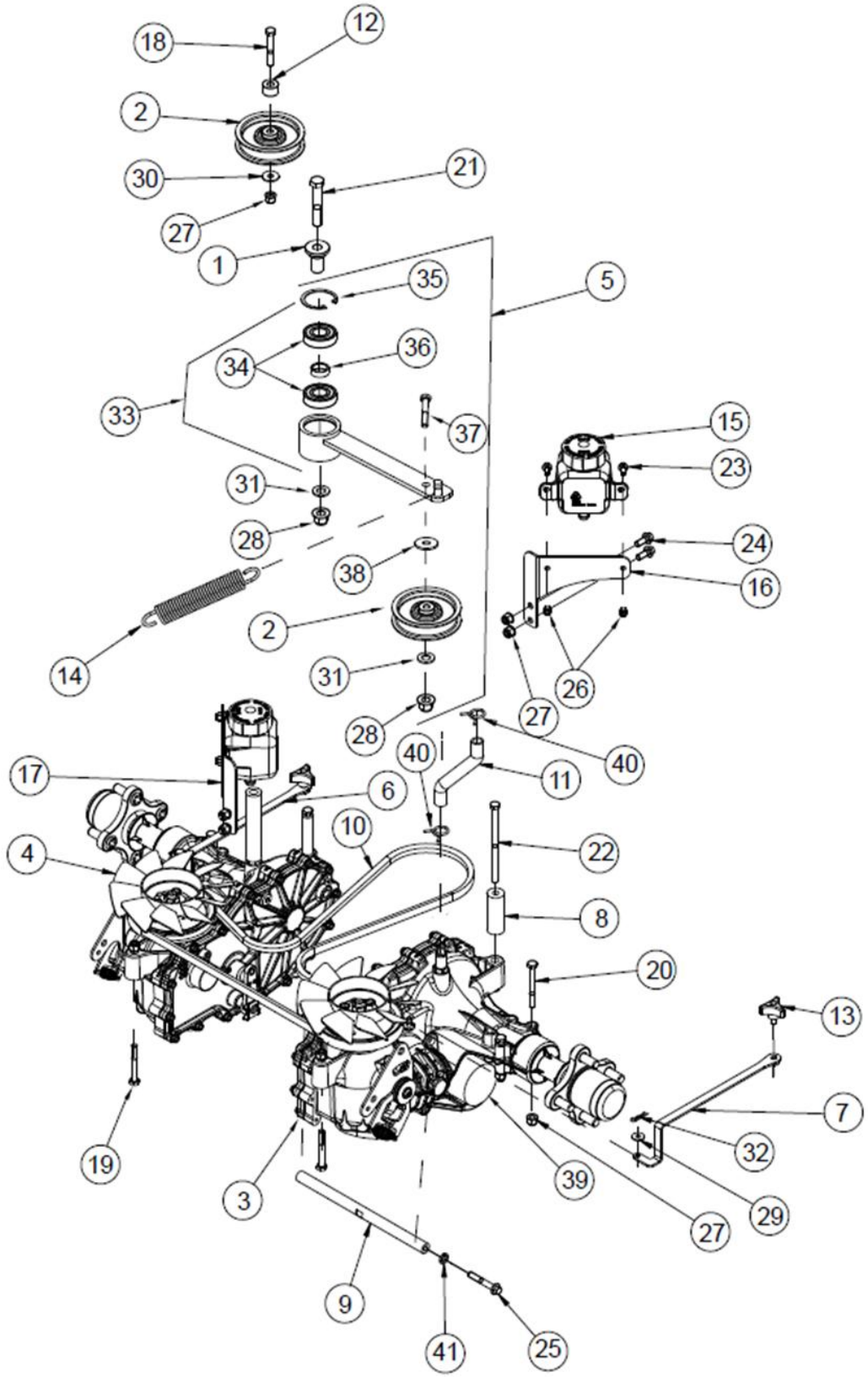


---

**FUEL ASSEMBLY**

| ITEM      | PART NO. | DESCRIPTION                        |
|-----------|----------|------------------------------------|
| 1         | 100271   | 5/16-18 X 3/4 HHCS                 |
| 2         | 104252   | #10-24 HEX NYLOC NUT               |
| 3         | 105005   | 5/16 LOCKWASHER-HEAVY              |
| 4         | 105258   | 5/16 STD FLAT WASHER               |
| 5         | 107527   | BOLT, CARRIAGE #10-24 X 1/2        |
| 6         | 109008   | 3/8-24 WHIZLOCK NUT                |
| 7         | 353223   | HOSE, VENT 3/16 X 22"              |
| 8         | 363098   | CLAMP, FUEL LINE 1/4 ID            |
| 9         | 633459   | CAP, FT NON-VENT GAS               |
| 10        | 453417   | METER, MS HOUR                     |
| 11        | 533125   | VALVE GROMMET - VITON              |
| 12        | 533159   | EPA LABEL                          |
| 13        | 543362   | HOSE, VENT 3/16 ID X 36            |
| 14        | 583050   | FUEL VALVE                         |
| 15        | 593370   | REMOTE VENT                        |
| 16        | 632161   | KIT, IGNITION SWITCH MN            |
| 17        | 633102   | HOSE, VENT 3/16 X 29"              |
| 18        | 633103   | THROTTLE CABLE                     |
| 19        | 633104   | CHOKE CABLE                        |
| 20        | 633307   | GAUGE, FUEL 14.5"                  |
| 21        | 633308   | FITTING, 45° FUEL W/ BENT TUBE 22" |
| 22        | 633315   | DECAL, CONTROL PANEL               |
| 23        | 633316   | HOSE, FUEL 1/4 ID X 20"            |
| 24        | 633317   | HOSE, FUEL 1/4 ID X 28"            |
| 25        | 633326   | GROMMET, FUEL GAGE                 |
| 26        | 632125   | ASM, FUEL TANK LP-RH               |
| 27        | 632126   | ASM, FUEL TANK LP-LH               |
| 28        | 4807005  | SWITCH, PTO                        |
| 29        | 5204010  | TEE, HOSE 3/16 ID                  |
| 30        | 5204044  | BUSHING                            |
| 31        | 5204045  | SCREW 10-24 UNC X 1/2"             |
| 32        | 423027-3 | NUT, 5/8 IGN SWITCH Fe             |
| 33        | 633309-1 | CONSOLE, TANK                      |
| 34        | B861.1-5 | INT TOOTH LOCKWASHER M5            |
| NOT SHOWN | 423413   | KEY, COVERED IGNITION              |

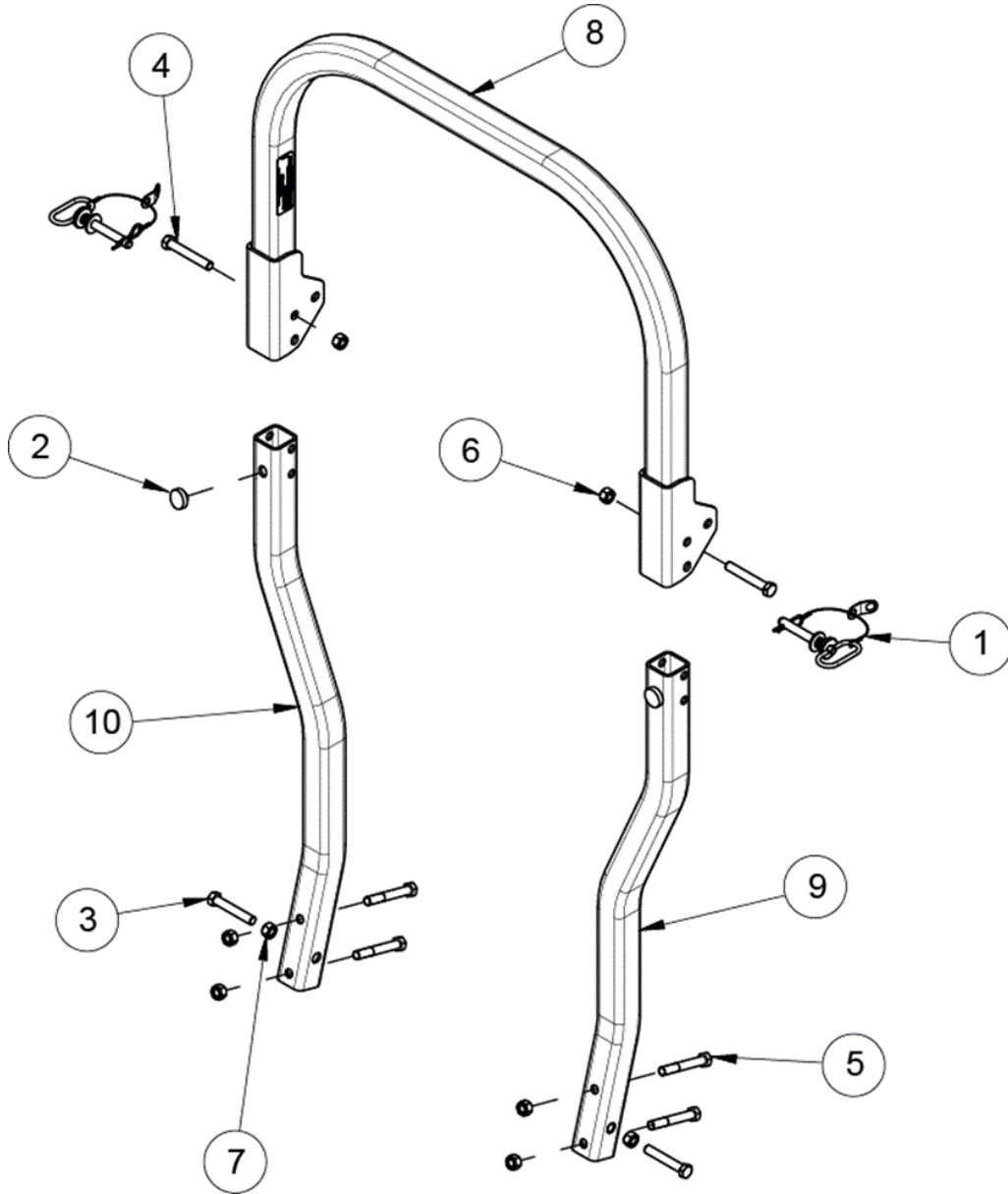
# HYDRO ASSEMBLY



**HYDRO ASSEMBLY**

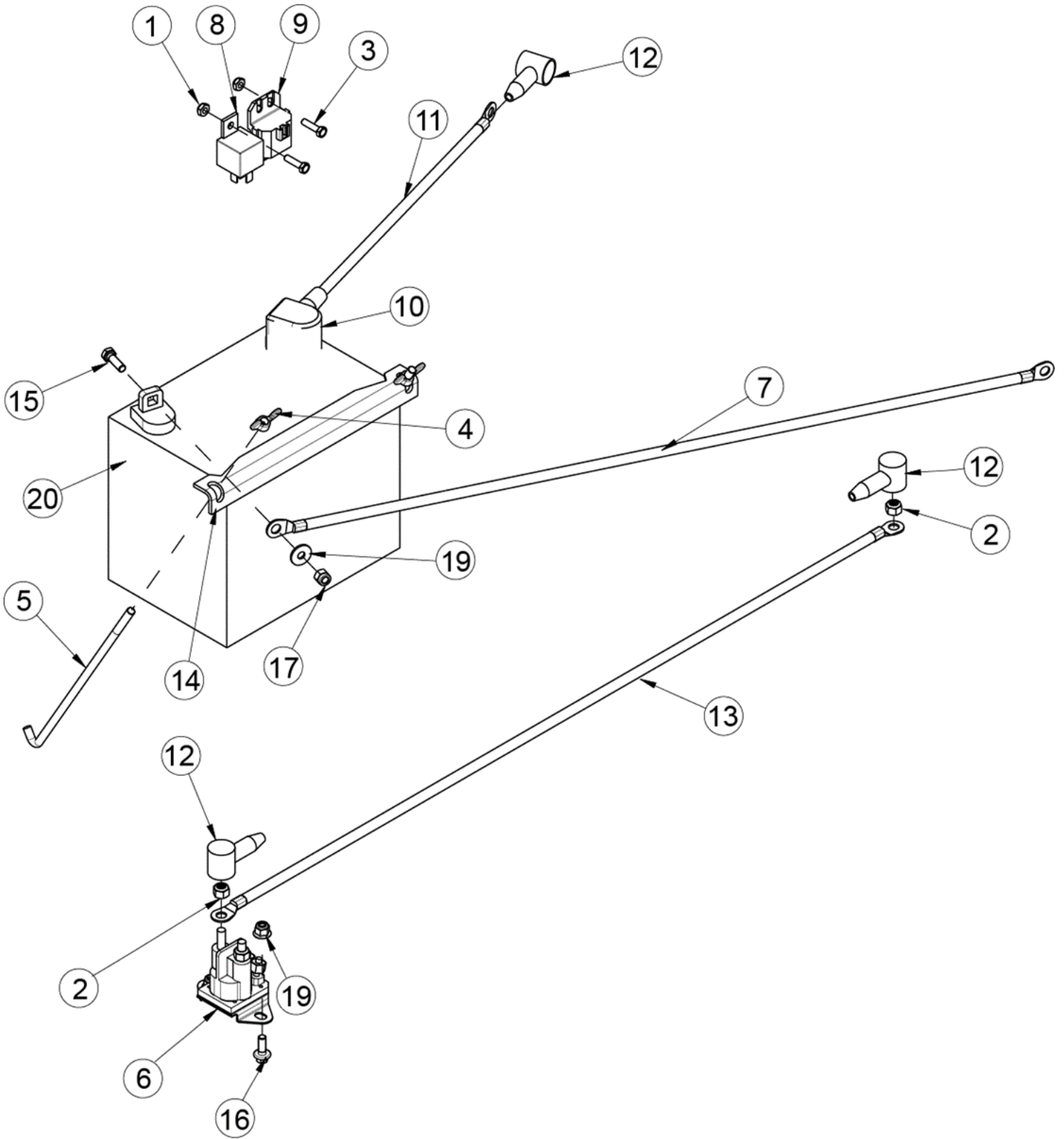
| ITEM | PART NO.    | DESCRIPTION                    |
|------|-------------|--------------------------------|
| 1    | 453313      | BUSHING, STEPPED               |
| 2    | 633302      | PULLEY, Ø3.37 X .75 IDLER      |
| 3    | 543210      | HYDRO, ZT 3400 LH              |
| 4    | 543211      | HYDRO, ZT 3400 RH              |
| 5    | 632017      | ASM, HYDRO IDLER W/PULLEY      |
| 6    | 632020      | WLD, HYDRO RELEASE RH          |
| 7    | 632021      | WLD, HYDRO RELEASE LH          |
| 8    | 633030      | HYDRO SPACER                   |
| 9    | 633249      | ROD, 20MM HYDRO SUPPORT        |
| 10   | 633061      | BELT, HYDRO                    |
| 11   | 633272      | HOSE, EXPANSION TANK           |
| 12   | 633108      | SPACER                         |
| 13   | 3302190     | KNOB, 3-PRONGED W/STUD         |
| 14   | 543520      | EXTENSION SPRING               |
| 15   | 6012021     | TANK, EXPANSION                |
| 16   | 633066-1    | BRACKET, HYDRO TANK LH - BLACK |
| 17   | 633067-1    | BRACKET, HYDRO TANK RH - BLACK |
| 18   | B5782-855   | HEX HD BOLT M8X55              |
| 19   | B5782-860   | HEX HD BOLT M8X60              |
| 20   | B5782-870   | BOLT M8X70                     |
| 21   | B5782-1270  | SCREW, HH M12x70               |
| 22   | B5782-8120  | BOLT, M8 X 120                 |
| 23   | B5787-616   | SCREW, HH FLANGE M6X16         |
| 24   | B5787-820   | SCREW, HH FLANGE M8X20         |
| 25   | B5787-1055  | BOLT M10 X 55                  |
| 26   | B6182-6     | NUT, NYLOC M6                  |
| 27   | B6183-8     | NUT, NYLOC M8                  |
| 28   | B6183-12    | NUT, NYLOC FLANGE M12          |
| 29   | B96-6       | WASHER, FLAT LARGE M6          |
| 30   | B96-8       | WASHER 8                       |
| 31   | B97.1-12    | WASHER 12                      |
| 32   | XSZ56-1-17  | HAIR PIN                       |
| 33   | 632022      | ASM, HYDRO IDLER               |
| 34   | B276-6203RS | BEARING 6203-2RS               |
| 35   | B893.1-40   | SNAP RING 40                   |
| 36   | 5201077     | BUSHING                        |
| 37   | B5782-845   | BOLT M8X45                     |
| 38   | 3303034     | WASHER 8MM                     |
| 39   | H-52114     | FILTER, SPIN-ON 2.6 X 3.0      |
| 40   | 633273      | CLAMP, 11/16" WIRE             |
| 41   | B93-10      | SPLIT LOCK WASHER M10          |

## ROPS ASSEMBLY



| ITEM | PART NO. | DESCRIPTION                    |
|------|----------|--------------------------------|
| 1    | 543262A  | PIN, ROPS W/LANYARD AND SPRING |
|      | 543262   | PIN, ROPS W/LANYARD            |
| 2    | 633422   | BUMPER, RUBBER                 |
| 3    | 100049   | SCREW, HH TAP 1/2-13 X 3       |
| 4    | 100332   | 1/2-13 X 3-1/4 HHCS            |
| 5    | 100334   | 1/2-13 X 3-1/2 HHCS            |
| 6    | 104259   | 1/2-13 HEX NYLOC NUT           |
| 7    | 104509   | 1/2-13 REG HEX NUT             |
| 8    | 632073   | ASM, DB ROPS UPPER             |
| 9    | 634096   | ASM, LH ROPS POST              |
| 10   | 634097   | ASM, RH ROPS POST              |

**BATTERY GROUP**



---



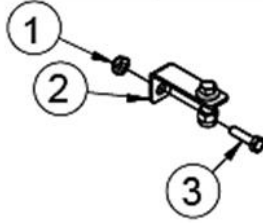
---

**FX HARNESS/BATTERY GROUP**

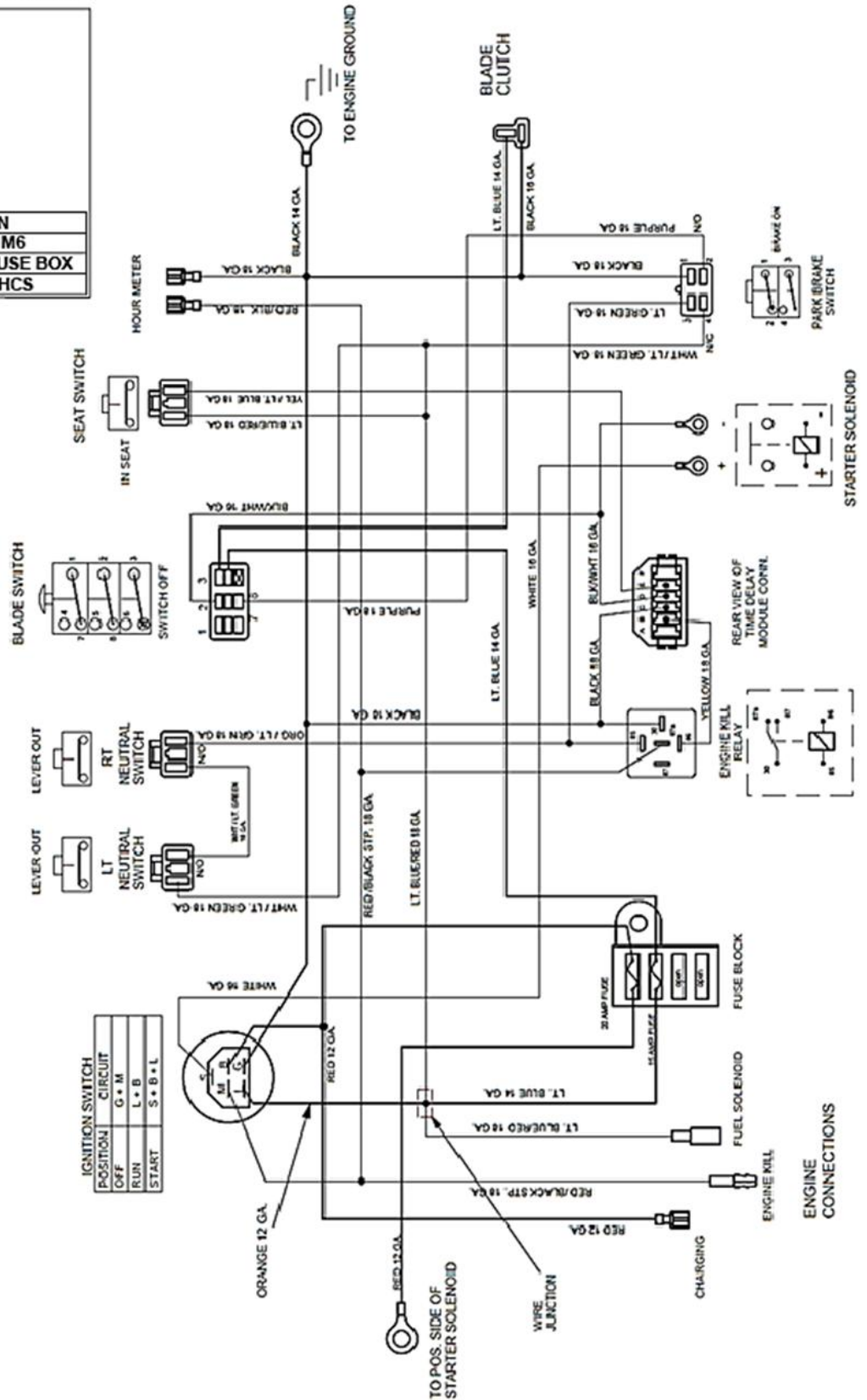
| ITEM      | PART NO.           | DESCRIPTION                       |
|-----------|--------------------|-----------------------------------|
| 1         | 104252             | #10-24 HEX NYLOC NUT              |
| 2         | 104255             | 1/4-20 HEX NYLOC NUT              |
| 3         | 109009             | #10-24 X 3/4 HHCS                 |
| 4         | 109012             | 1/4 WING NUT                      |
| 5         | 423172             | BATTERY HOLD DOWN ROD - PLATED    |
| 6         | 422150             | STARTER RELAY W/TERMINALS         |
| 7         | 543330             | CABLE, BATTERY NEGATIVE           |
| 8         | 583351             | ELECTRIC LIFT RELAY               |
| 9         | 583423             | TIME DELAY MODULE                 |
| 10        | 823199             | BATTERY BOOT                      |
| 11        | 2808106            | CABLE, BATTERY POS                |
| 12        | 2808107            | RELAY CABLE COVER                 |
| 13        | 4807105            | POSITIVE POLE CABLE-BATTERY       |
| 14        | 453419-1           | BATTERY HOLD DOWN - BLACK         |
| 15        | B5783-620          | SCREW, HH TAP M6x20               |
| 16        | B5787-616          | SCREW, HH FLANGE M6X16            |
| 17        | B6182-6            | NUT, NYLOC M6                     |
| 18        | B6183.1-6          | FLANGED LOCKNUT M6                |
| 19        | B96-6              | WASHER, FLAT LARGE M6             |
| 20        | FOR REFERENCE ONLY | BATTERY 12V                       |
| NOT SHOWN | 633378             | WIRE HARNESS SEE PG 40 FOR DETAIL |

# WIRING HARNESS-633098J

INCLUDED WITH WIRING HARNESS



| ITEM | PART NO. | DESCRIPTION       |
|------|----------|-------------------|
| 1    | B6182-6  | NUT, NYLOC M6     |
| 2    | 633379-1 | BRACKET, FUSE BOX |
| 3    | 109009   | #10-24 X 3/4 HHCS |



## DECAL ASSEMBLY



8008



8303



8307



543433



543391



633228



8318



8324



633306



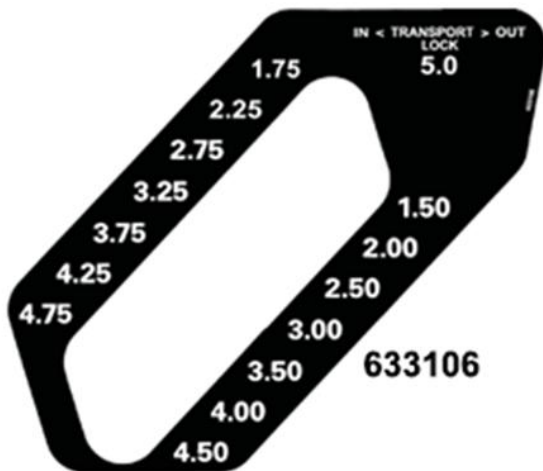
543392



8304



363023



633106



633315

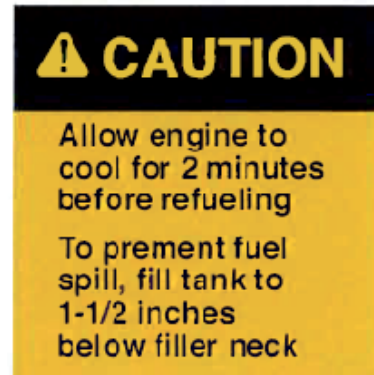


543401

## DECAL ASSEMBLY



543397



363290



633153



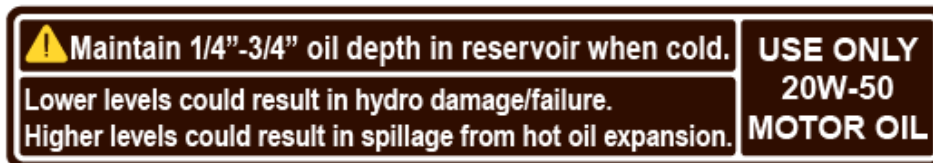
453389



543380



453390



543396



633306

DECAL ASSEMBLY





**ENCORE**

**ALL RIGHTS RESERVED**

**CONTENTS SUBJECT TO CHANGE**

**EDGE PRO PARTS MANUAL**

**202506**