



ENCORE

LC2P77F

LC2P82F

ENGINES

PARTS MANUAL



ENCORE

ENCOREEQUIPMENT.COM

📍 401 COMMERCE STREET
BEATRICE, NE 68310

📞 800-267-4255

📠 402-223-4103

CONTENTS

AIR CLEANER ASSEMBLY	6
BLOWER HOUSING ASSEMBLY	7
CARBURETOR ASSEMBLY.....	8
CRANK CASE COVER ASSEMBLY	9
CRANK CASE ASSEMBLY	10
CRANKSHAFT & PISTON ASSEMBLIES	11
CYLINDER HEAD ASSEMBLY	12
FLYWHEEL & COIL ASSEMBLIES.....	13
GOVERNOR ASSEMBLY	14
STARTER ASSEMBLY	15
MUFFLER ASSEMBLY	16
VALVE ASSEMBLIES.....	17
DECALS.....	18



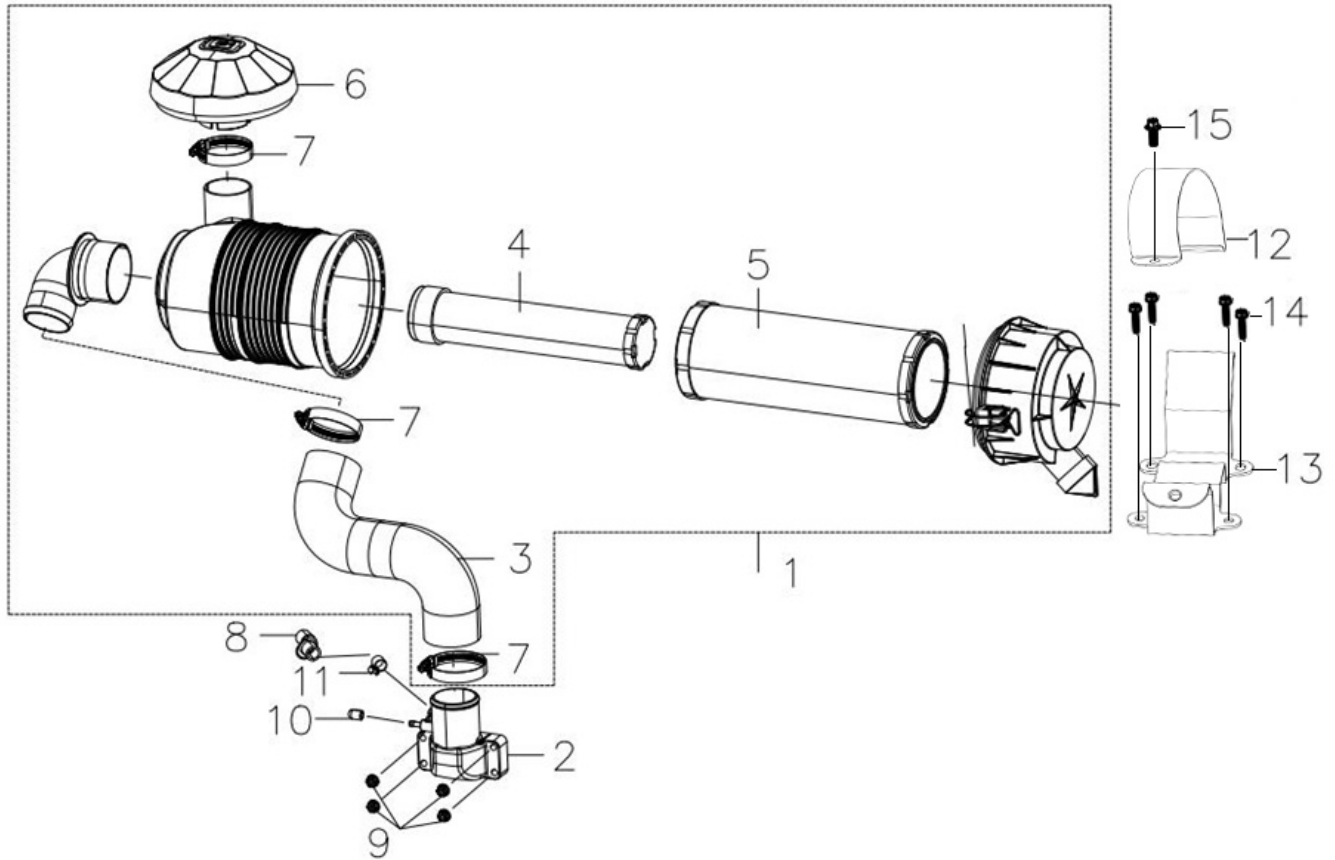
ENCORE

THIS PAGE INTENTIONALLY LEFT BLANK



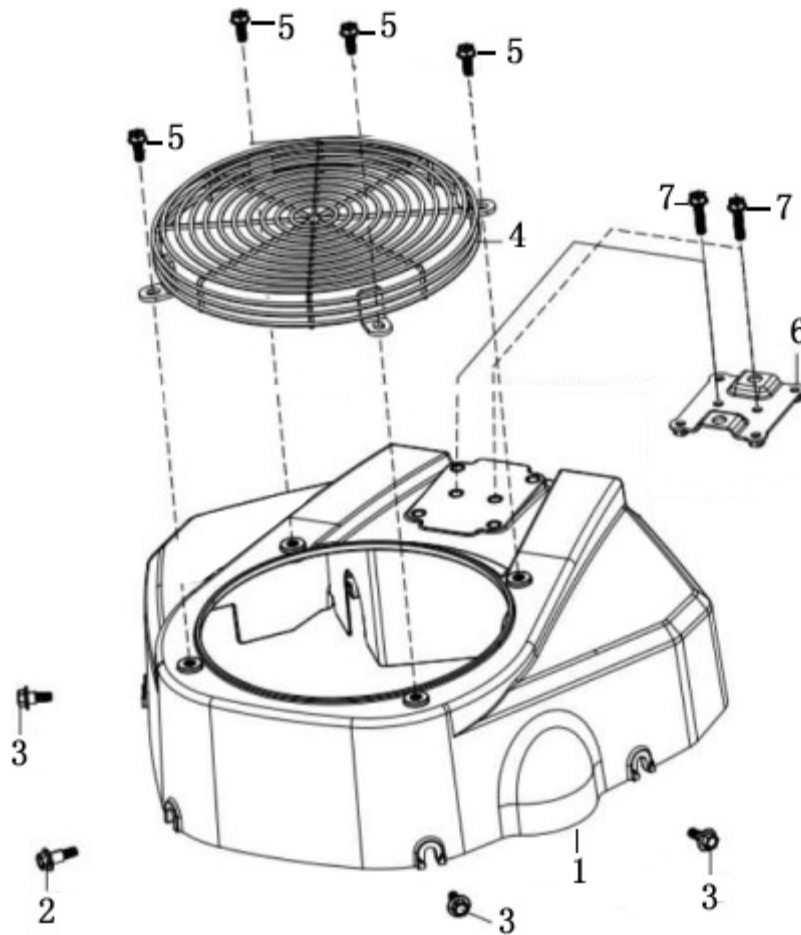
THIS PAGE INTENTIONALLY LEFT BLANK

AIR CLEANER ASSEMBLY



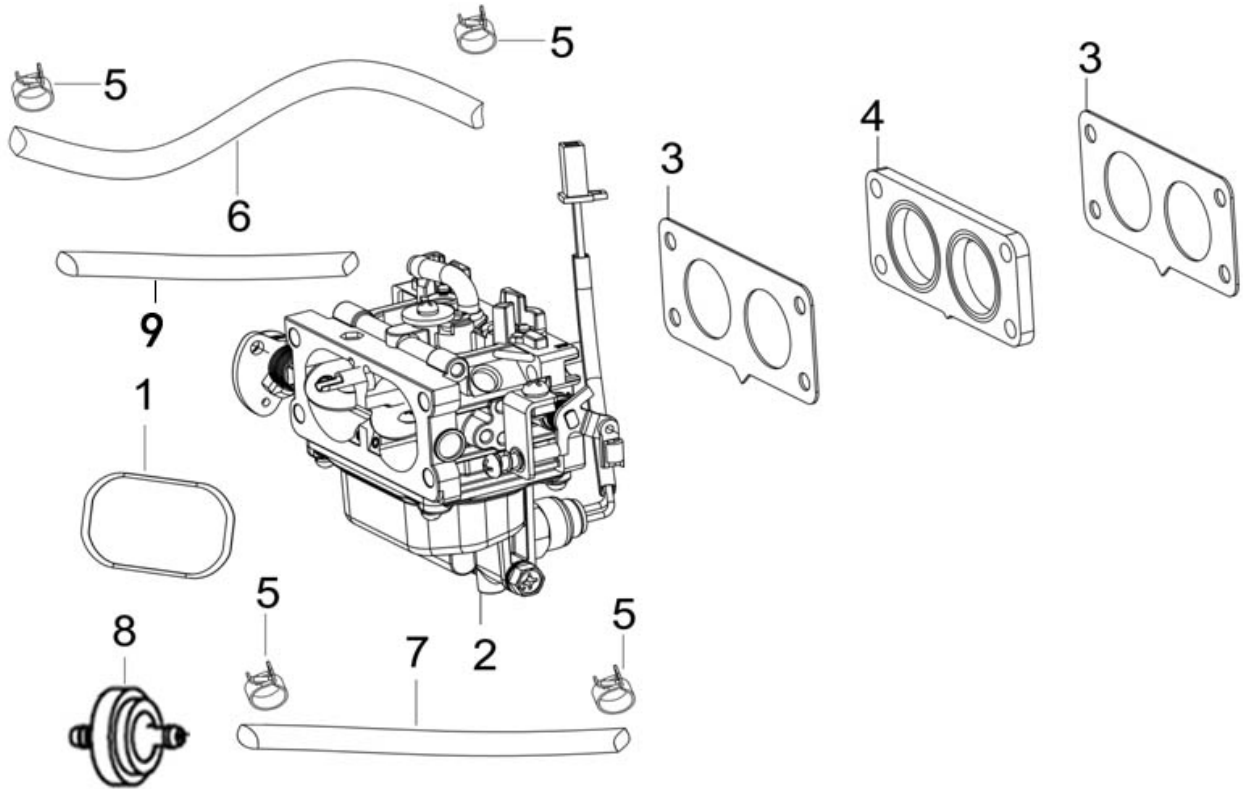
	PART NUMBER	DESCRIPTION
1	180010133-0003	FILTER, AIR
2	180280159-0001	ADAPTER, AIR INTAKE
3	180180223-0001	HOSE, AIR INTAKE
4	180100082-0001	FILTER, INNER AIR
5	180100126-0001	FILTER, OUTER AIR
6	662710003-T390	CAP, RAIN
8	380741163-0001	TUBE, PVC
12	182010036-0001	STRAP, AC MOUNT TOP
13	182010037-0001	STRAP, AC MOUNT BOTTOM

BLOWER HOUSING ASSEMBLY



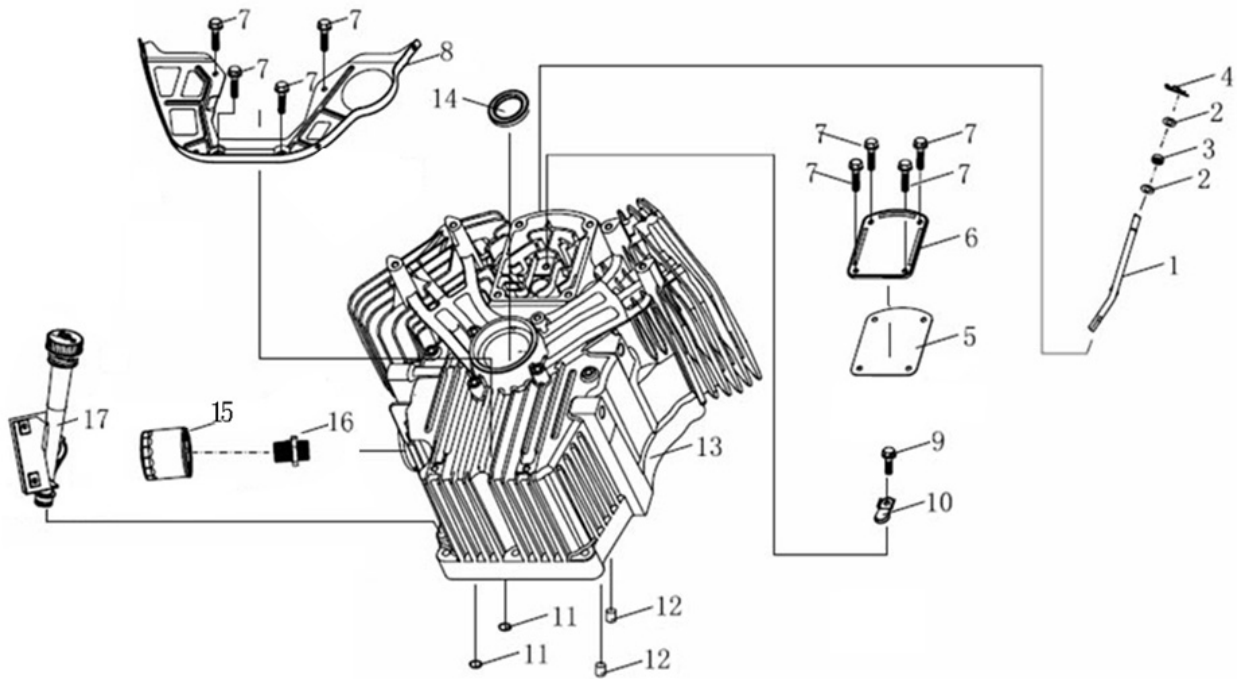
	PART NUMBER	DESCRIPTION
1	160210243-0001	SHROUD, FAN
2	380020087-0001	SCREW, HHCS
3	380020086-0001	SCREW, HHCS
4	195360025-0001	SCREEN, DEBRIS
6	182010022-0001	PLATE, AC BASE

CARBURETOR ASSEMBLY



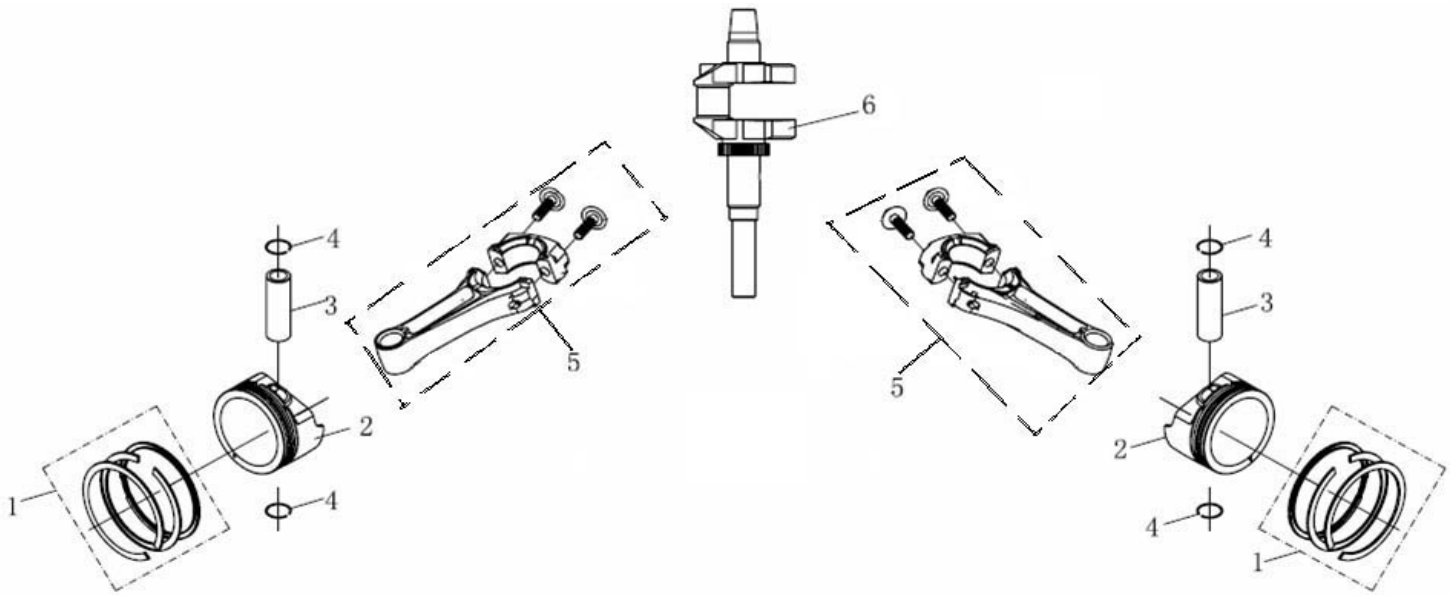
	PART NUMBER	DESCRIPTION
1	170430184-0001	GASKET, CARBURETOR
2	170022223-0001	CARBURETOR (P77F)
	170022557-0001	CARBURETOR (P82F)
3	170430107-0001	GASKET, CARBURETOR
4	170440073-0001	ISOLATOR, CARBURETOR
8	170010045-0001	FILTER, FUEL

CRANK CASE ASSEMBLY



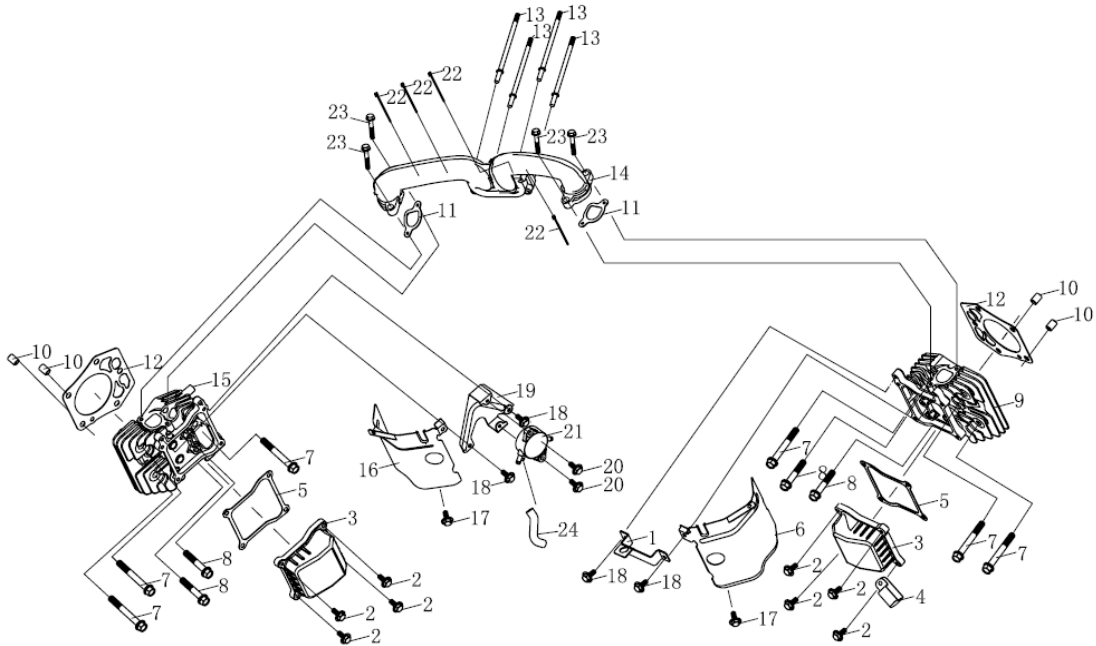
PART NUMBER	DESCRIPTION
8 160200061-0001	PAN, FLYWHEEL
14 380650337-0001	SEAL, UPPER CRANK
15 150350046-0002	FILTER, OIL
17 110690043-0001	DIPSTICK, ASSEMBLY

CRANKSHAFT & PISTON ASSEMBLIES



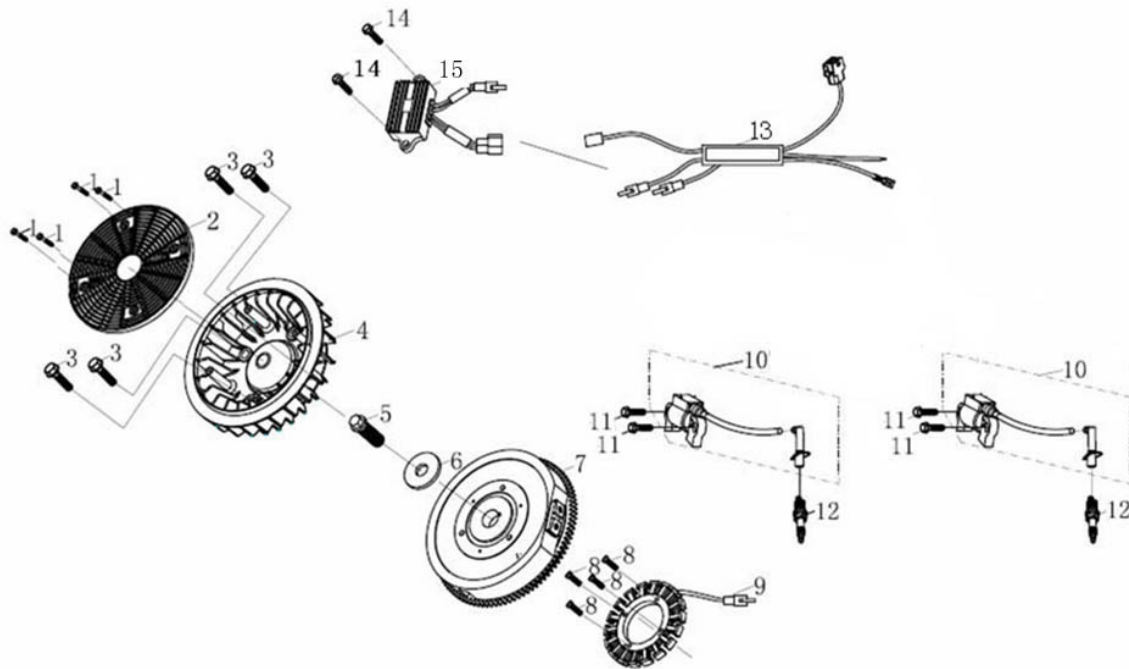
	PART NUMBER	DESCRIPTION
1	130070184-0001	SET, PISTON RINGS (P77F)
	130070325-0001	SET, PISTON RINGS (P82F)
5	130150073-0001	ROD, CONNECTING

CYLINDER HEAD ASSEMBLY



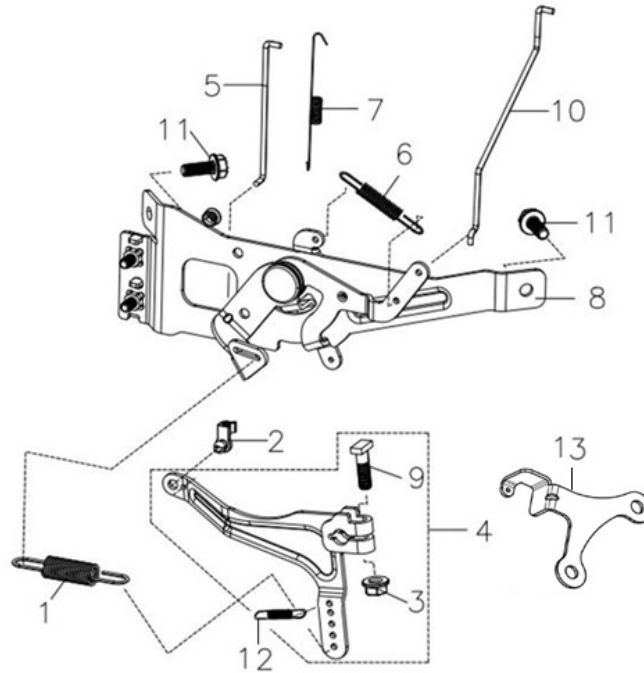
PART NUMBER	DESCRIPTION
3 120220025-0001	VALVE COVER
5 120250061-0001	GASKET, VALVE COVER
6 160190036-0001	DEFLECTOR, NON-PUMP SIDE AIR
9 120080741-0001	HEAD, LEFT CYLINDER
11 170430106-0001	GASKET, INTAKE MANIFOLD
12 120150289-0001	GASKET, CYLINDER HEAD (P77F)
120150290-0001	GASKET, CYLINDER HEAD (P82F)
15 120080742-0001	HEAD, RIGHT CYLINDER
14 180420647-0001	MANIFOLD, INTAKE
16 160190037-0001	DEFLECTOR, AIR
19 170470028-0001	FUEL PUMP MOUNT
21 170460026-0001	FUEL PUMP
24 380740633-0002	HOSE, PUMP VAC

FLYWHEEL & COIL ASSEMBLIES



PART NUMBER	DESCRIPTION
2 160850008-0001	SCREEN, ROTATING
4 160180020-0001	FAN
7 270020290-0001	FLYWHEEL
9 270190054-0001	STATOR
10 270920507-0001	ASSEMBLY, IGNITION COIL
12 270960046-0001	SPARK PLUG
13 271280133-0001	HARNESS, ENGINE
15 271930021-0001	REGULATOR

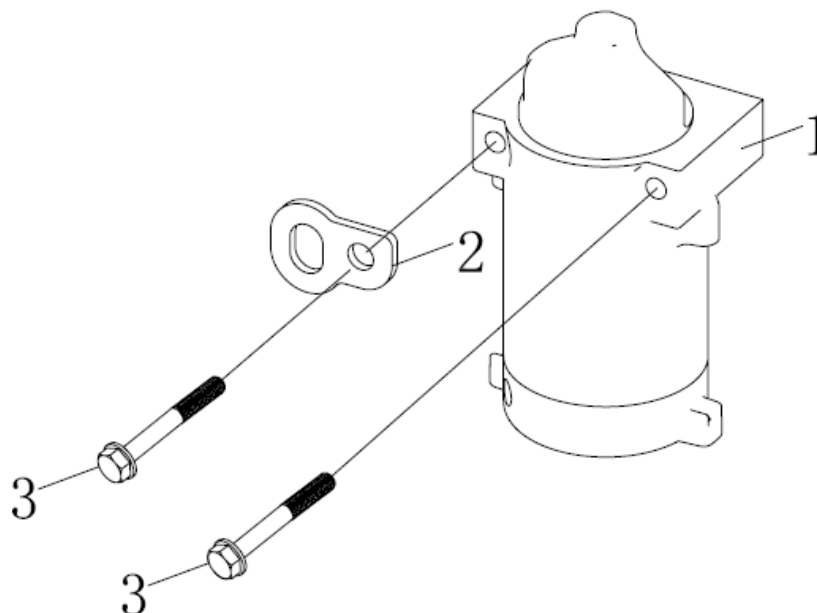
GOVERNOR ASSEMBLY



PART NUMBER	DESCRIPTION
1 171600111-0001	SPRING, GOVENOR
2 173090003-0001	RETAINER, LINKAGE
4 171620068-0001	GOVERNOR ARM ASSY
5 171590040-0001	LINK, THROTTLE
6 171610028-0001	SPRING, CHOKE RETURN
7 171610038-0001	SPRING, LINKAGE
8 171680144-0001	THROTTLE ASSY
10 171650036-0001	CHOKE LINK
12 171610048-0001	SPRING, THROTTLE RETURN
13 175400003-0001	SPRING BRCKET

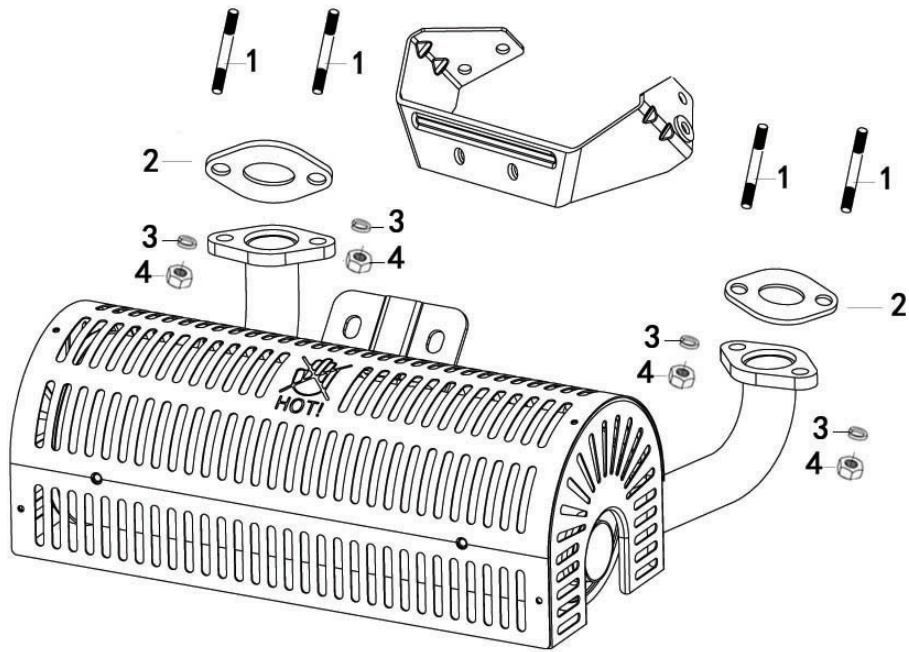


STARTER ASSEMBLY



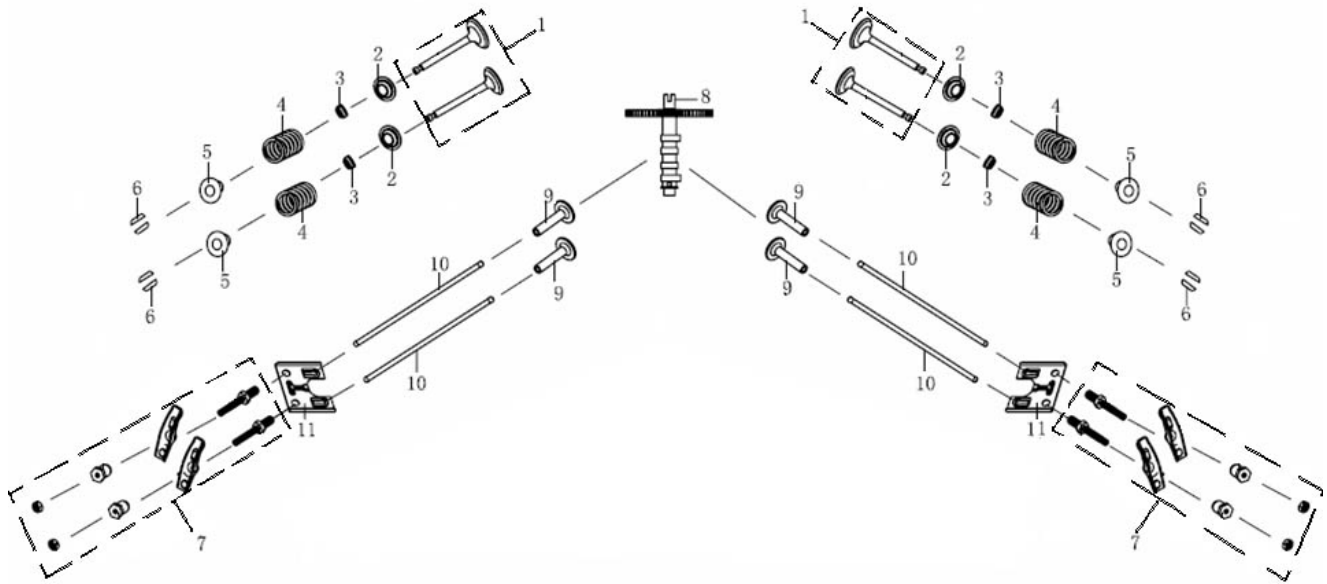
	PART NUMBER	DESCRIPTION
1	270360170-0001	STARTER

MUFFLER ASSEMBLY



	PART NUMBER	DESCRIPTION
1	380180098-0001	STUD, EXHAUST
2	180650074-0001	GASKET, EXHAUST
	MUFFLER	SHOWN IN MOWER MANUAL

VALVE ASSEMBLIES



PART NUMBER	DESCRIPTION
7 140450062-0001	ASSEMBLY, ROCKER ARM
10 140670037-0001	ROD, PUSH
11 140710014-0001	PLATE, PUSH ROD GUIDE

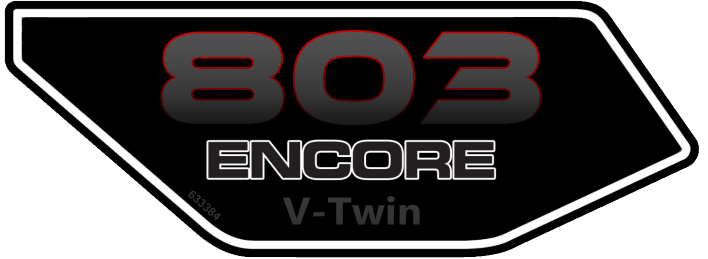


ENCORE

DECALS



633383



633384



633385



633386



THIS PAGE INTENTIONALLY LEFT BLANK



ENCORE