



LC2P77F

LC2P82F


ENGINES

PARTS MANUAL



ENCORE
POWER EQUIPMENT
ENCOREEQUIPMENT.COM

 **401 COMMERCE STREET**
BEATRICE, NE 68310

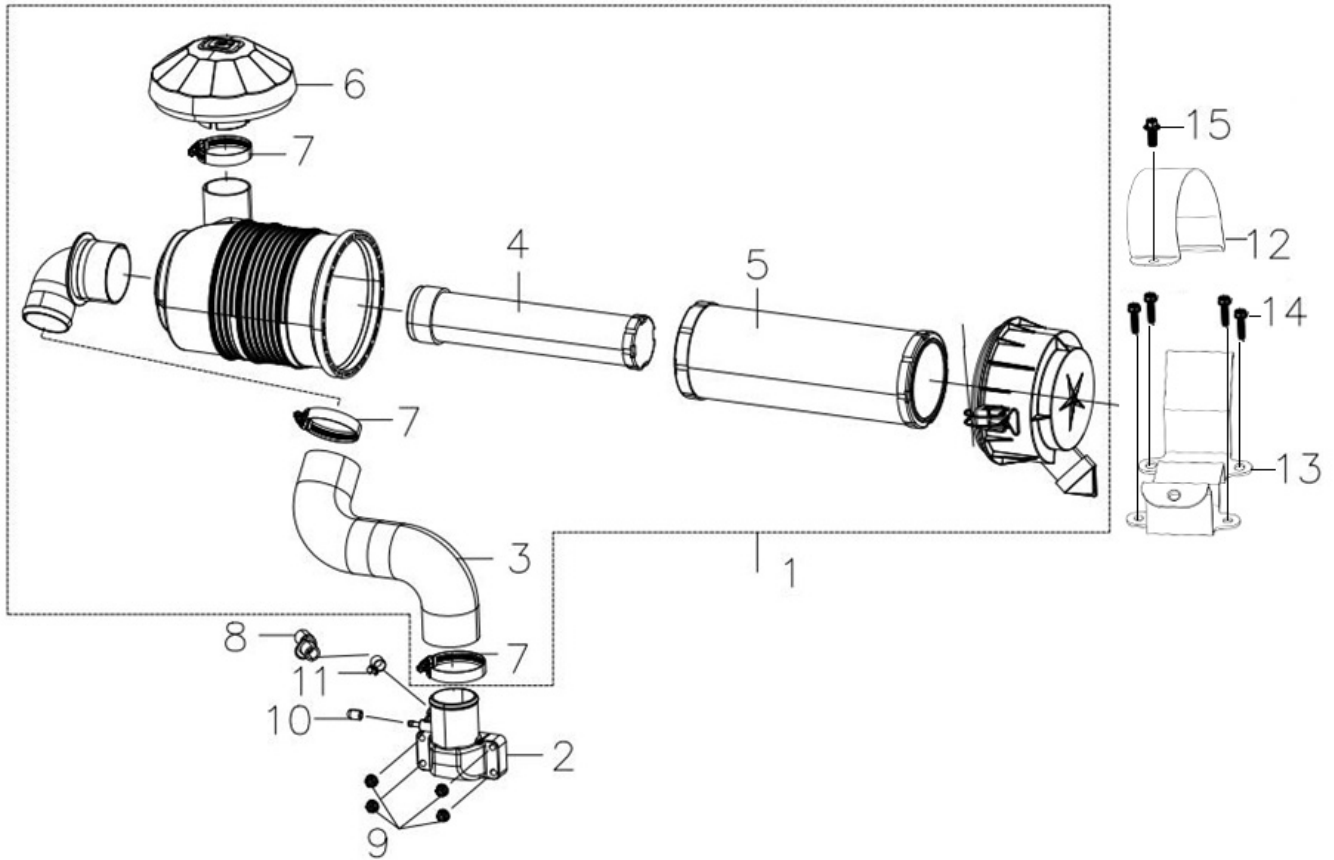
 **800-267-4255**

 **402-223-4103**

CONTENTS

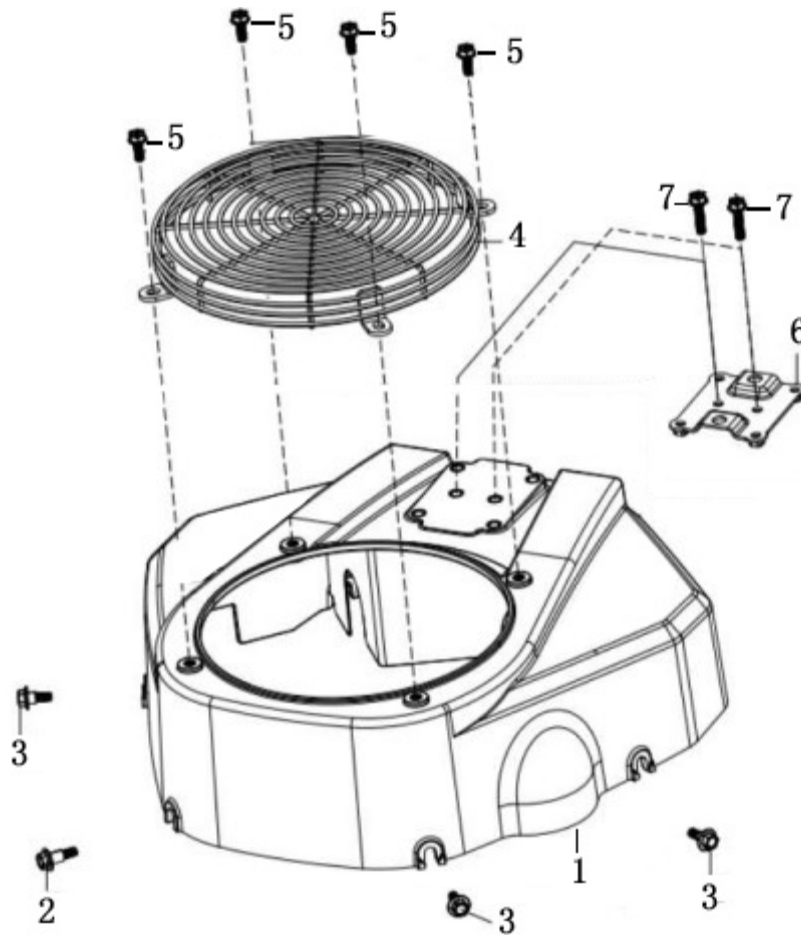
AIR CLEANER ASSEMBLY	4
BLOWER HOUSING ASSEMBLY	5
CARBURETOR ASSEMBLY.....	6
CRANK CASE COVER ASSEMBLY	7
CRANK CASE ASSEMBLY	8
CYLINDER HEAD ASSEMBLY	9
FLYWHEEL & COIL ASSEMBLIES.....	10
GOVERNOR ASSEMBLY	11
STARTER ASSEMBLY	12
MUFFLER ASSEMBLY.....	13
DECALS.....	14

AIR CLEANER ASSEMBLY



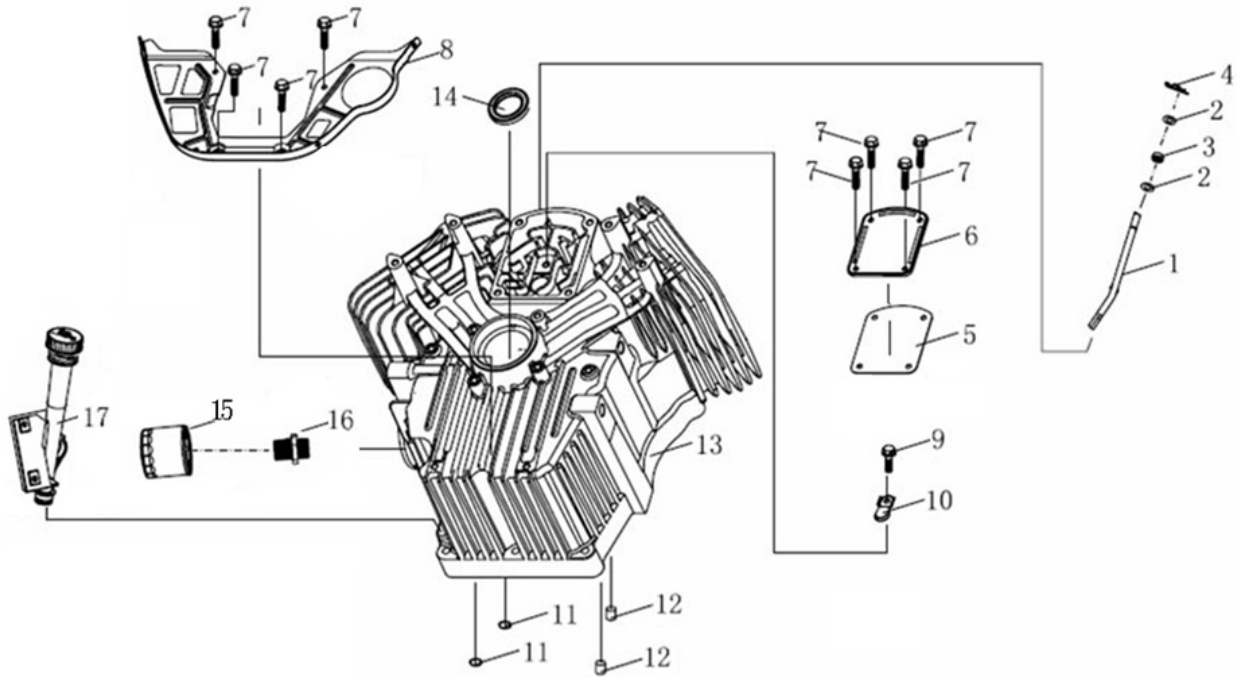
	PART NUMBER	DESCRIPTION
1	180010133-0003	FILTER, AIR
2	180280159-0001	SEAT, AIR FILTER
3	180180223-0001	TUBE, CONNECTING AIR FILTER
4	180100082-0001	ELEMENT, AIR FILTER COMBINATION
5	180100126-0001	ELEMENT, AIR FILTER COMBINATION
6	662710003-T390	ASSEMBLY, HOOP
8	380741163-0001	TUBE, BREATHER
12	182010036-0001	BRACKET, AIR CLEANER MOUNTING
13	182010037-0001	BRACKET, AIR CLEANER MOUNTING

BLOWER HOUSING ASSEMBLY



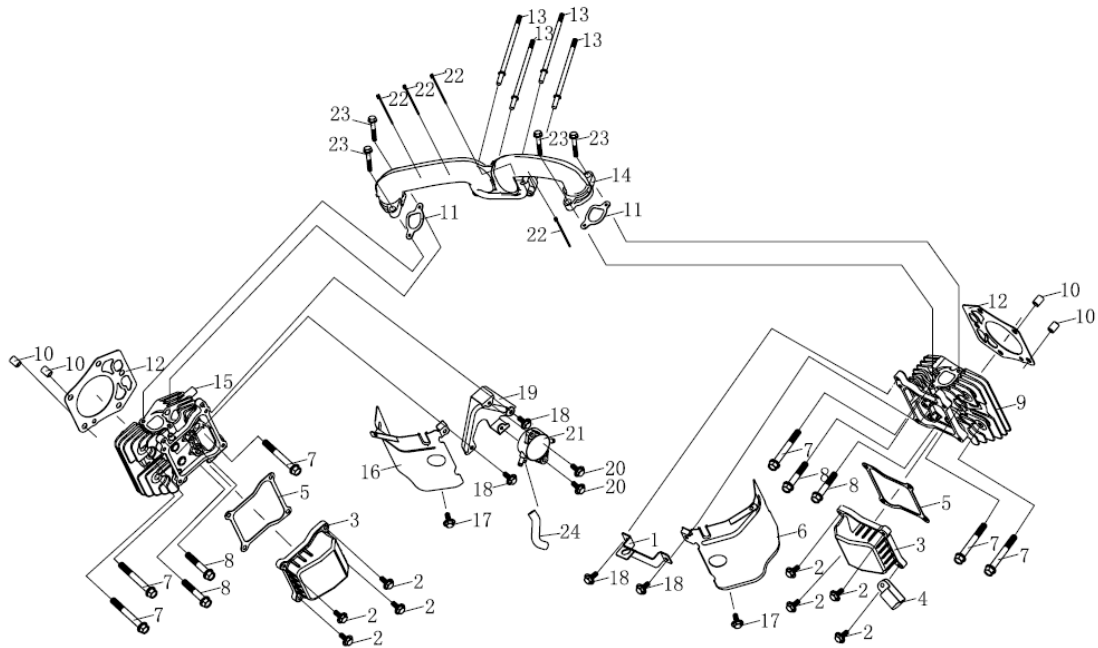
	PART NUMBER	DESCRIPTION
1	160210243-0001	SHROUD, FAN
2	380020087-0001	SCREW, HHCS
3	380020086-0001	SCREW, HHCS
4	195360025-0001	GUARD, FLYWHEEL
6	182010022-0001	MOUNT, AIR FILTER BRACKET

CRANK CASE ASSEMBLY



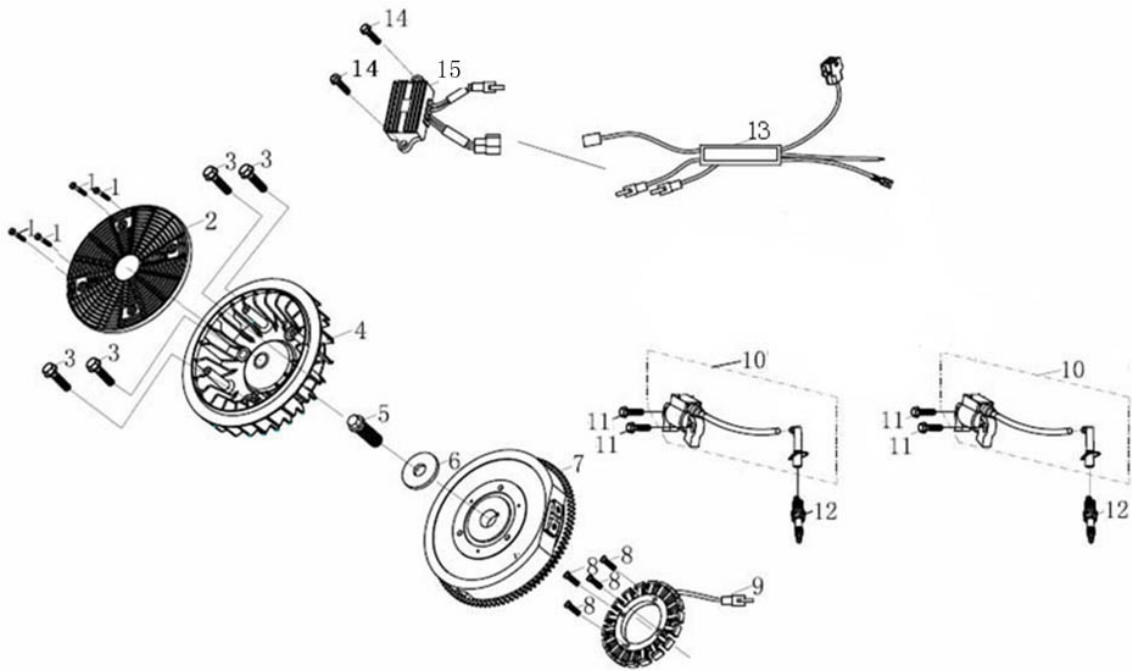
	PART NUMBER	DESCRIPTION
8	160200061-0001	PLATE, SIDE
14	380650337-0001	SEAL, OIL
15	150350046-0002	FILTER, OIL
17	110690043-0001	DIPSTICK, ASSEMBLY

CYLINDER HEAD ASSEMBLY



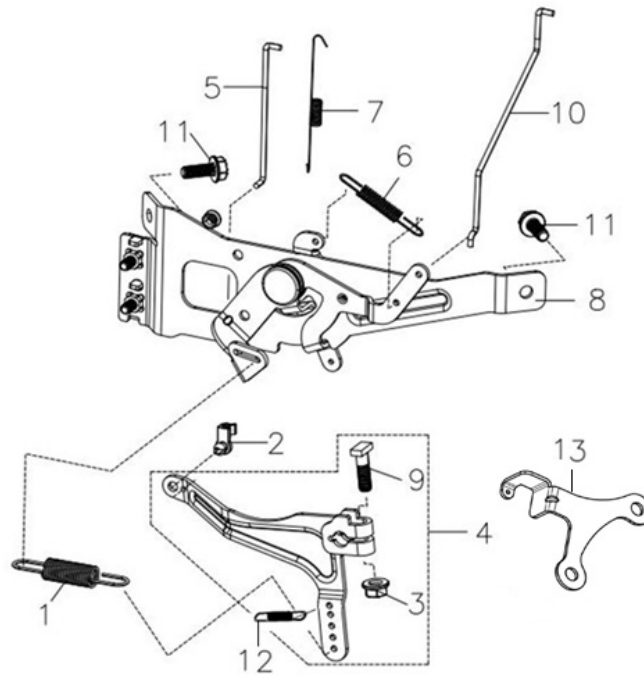
	PART NUMBER	DESCRIPTION
3	120220025-0001	ASSY, CYLINDER HEAD COVER
5	120250061-0001	GASKET, CYLINDER HEAD COVER
6	160190036-0001	DEFLECTOR, AIR
11	170430106-0001	GASKET, CARBURETOR
14	180420647-0001	MANIFOLD, INTAKE
16	160190037-0001	DEFLECTOR, AIR
19	170470028-0001	BRACKET, PUMP
21	170460026-0001	GASOLINE PUMP
24	380740633-0002	TUBE, BREATHER

FLYWHEEL & COIL ASSEMBLIES



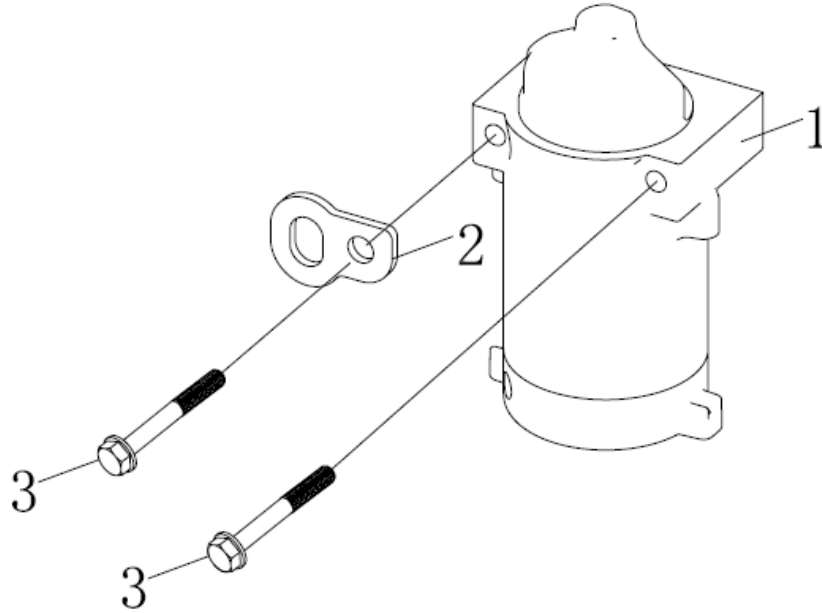
	PART NUMBER	DESCRIPTION
2	160850008-0001	SCREEN
4	160180020-0001	IMPELLER
7	270020290-0001	FLYWHEEL
9	270190054-0001	ASSEMBLY, ARMATURE
10	270920507-0001	ASSEMBLY, IGNITION COIL
12	270960046-0001	SPARK PLUG
13	271280133-0001	HARNESS, ENGINE
15	271930021-0001	RECTIFIER

GOVERNOR ASSEMBLY



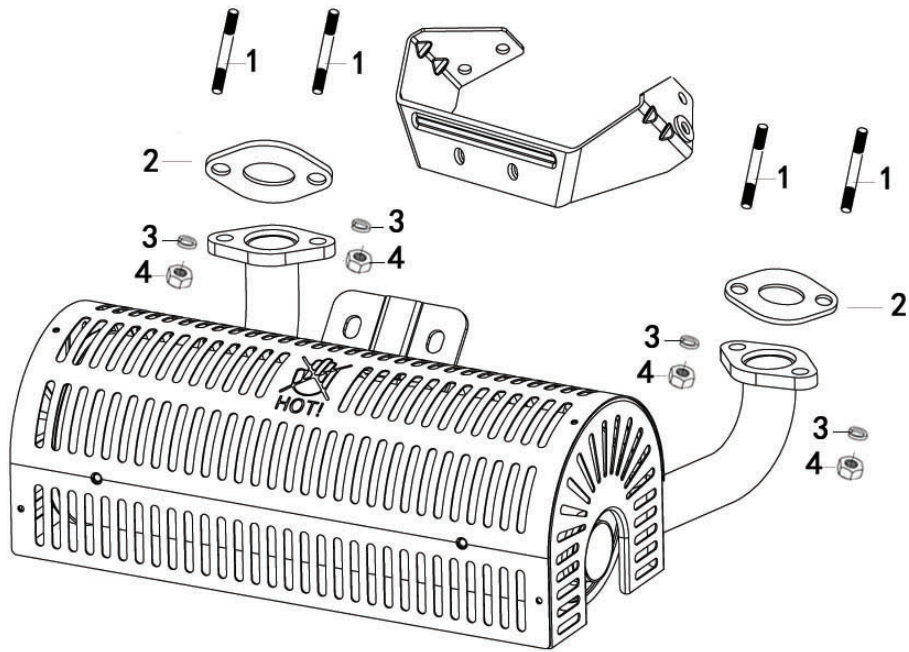
	PART NUMBER	DESCRIPTION
1	171600111-0001	SPRING, GOVENOR
2	173090003-0001	CLIP, LINKAGE
4	171620068-0001	BRACKET, THROTTLE
5	171590040-0001	ROD, THROTTLE
6	171610028-0001	SPRING, THROTTLE RETURN
7	171610038-0001	SPRING, THROTTLE RETURN
8	171680144-0001	PLATE, CONTROL
10	171650036-0001	ROD, CHOKE
12	171610048-0001	SPRING, THROTTLE RETURN
13	175400003-0001	CONTROL, IDLE

STARTER ASSEMBLY



	PART NUMBER	DESCRIPTION
1	270360170-0001	STARTER

MUFFLER ASSEMBLY

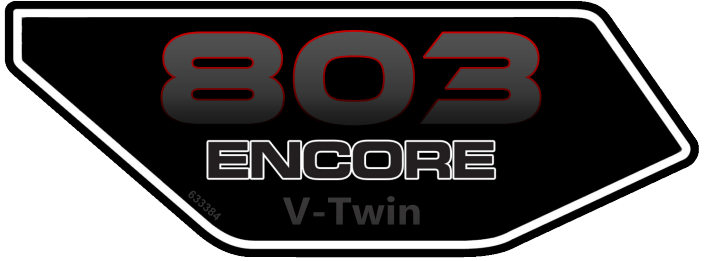


	PART NUMBER	DESCRIPTION
1	380180098-0001	STUD
2	180650074-0001	GASKET, MUFFLER
	P5908	MUFFLER

DECALS



633383



633384



633385



633386

THIS PAGE INTENTIONALLY LEFT BLANK



ENCORE

POWER EQUIPMENT