



EE52L16
EE60L16

PARTS MANUAL



WWW.ENCOREEQUIPMENT.COM

401 COMMERCE STREET

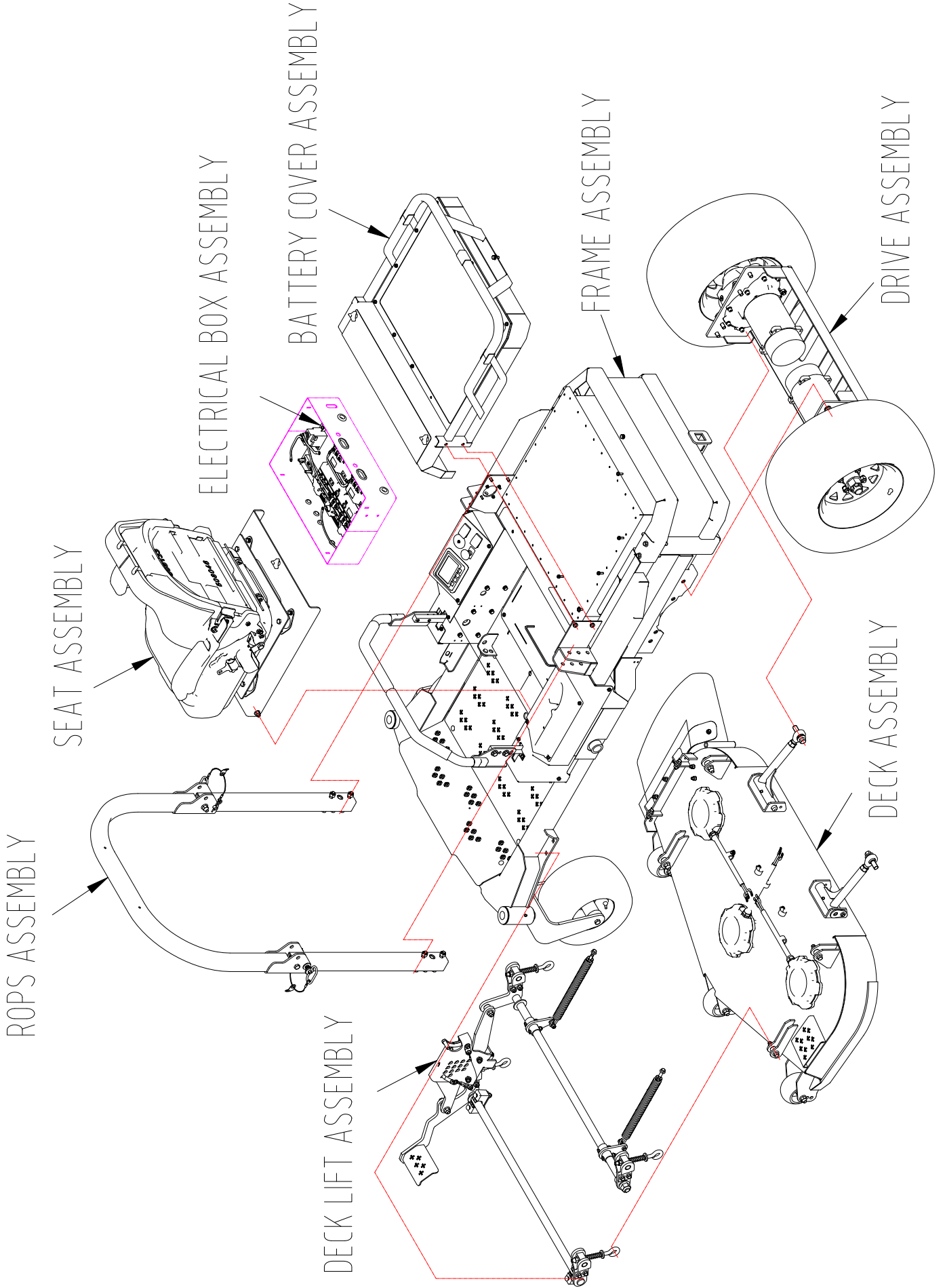
BEATRICE, NE 68310

800-267-4255

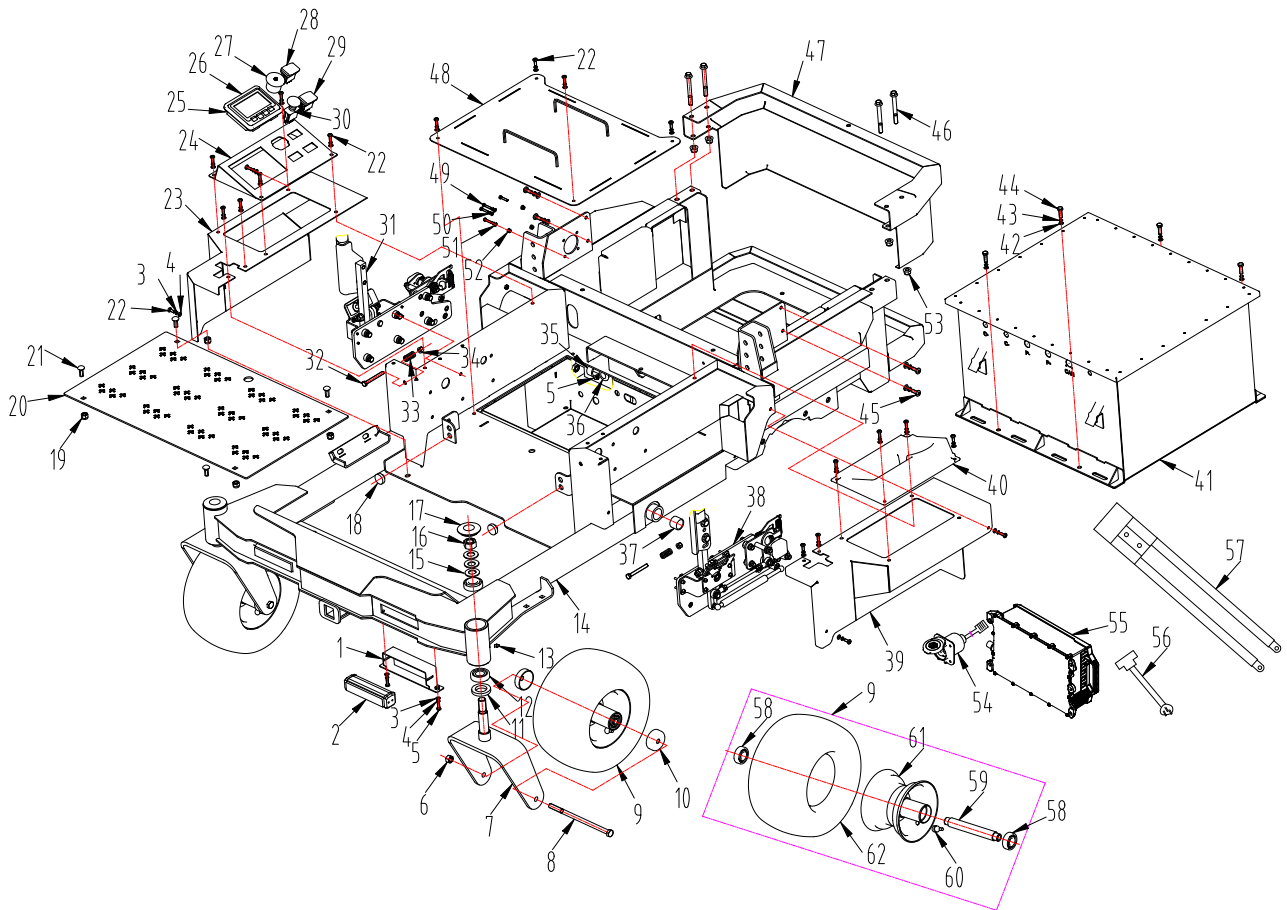
FAX – 402-223-4103

CONTENTS

FRAME ASSEMBLY.....	5
MOTION CONTROL ASSEMBLY.....	8
BATTERY COVER ASSEMBLY.....	12
ELECTRICAL BOX ASSEMBLY.....	13
SEAT ASSEMBLY.....	15
DRIVE ASSEMBLY.....	16
DECK ASSEMBLY.....	17
DECK LIFT ASSEMBLY.....	21
ROPS ASSEMBLY.....	23
WIRING DIAGRAM.....	24
DECALS - SAFETY & OPERATION.....	25



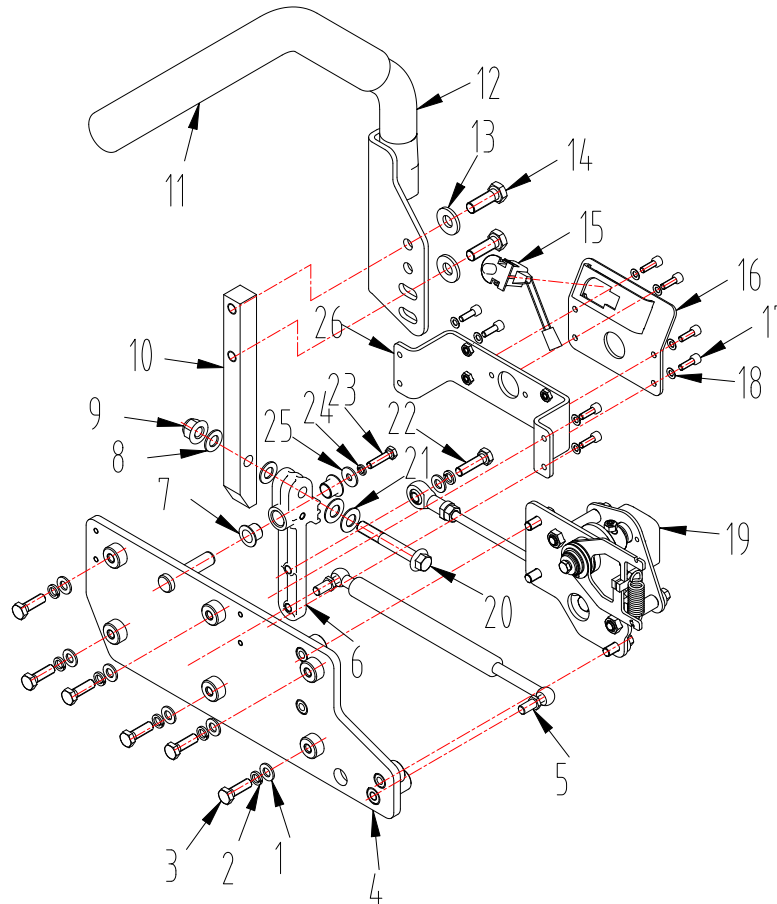
FRAME ASSEMBLY



ITEM	PART NUMBER	DESCRIPTION
1	5232281	WLD, HEADLIGHT MT
2	5238035	HEADLIGHT EV
3	B97.1-6	WASHER 6
4	B93-6	LOCKWASHER 6
5	B5783-616	SCREW, HH TAP M6×16
6	B6184-12	NUT, M12
7	542011-2	WLD, CASTER FORK 6.5, RED
8	543189	BOLT, M12 X 225 MM
9	632041G	ASM, BLK WHL COMPLETE 13 X 6.5-6 PNEUMATIC
10	632041G-11	CAP, DUST
11	B13871-B32528	SEAL(F) 32×52×8
12	B297-30205	BEARING 30205
13	B1153-6	GREASE FITTING M6
14	5232001	WLD, EV FRAME
15	B1972-A40	WASHER, SPRING DISC A40
16	B6184-20	NUT, M20 LKNG TORQUE
17	5202009	CAP, DUST
18	633422	BUMPER, RUBBER
19	B6182-10	NUT, NYLOC M10
20	5232087	FOOT PLATE
21	B801-1025	BOLT, CARRIAGE SN M10 X 25
22	B818-616	SCREW M6×16
23	5232170	WLD, FENDER RH
24	5232185	WLD, CONTROL PANEL
25	WDS320.14-10	SEAL, LCD PANEL
26	5238045	PANEL, LCD
27	5238037	SWITCH, QUICK MT IGN
28	5238043	SWITCH, GND SPEED
29	5238042	SWITCH, BLADE SPD
30	4807005G	SWITCH, PTO
31	5232123	ASM, MOTION CONTROL RH
32	B5783-870	BOLT M8 X 70
33	5205003	SPRING, COMPRESSION
34	B6183.1-8	FLANGED LOCKNUT M8
35	5238053	CLAMP, 25MM CABLE
36	4LZ2.16.4-04	GROMMET
37	B12613-322820	BUSHING 32 X 28 X 20

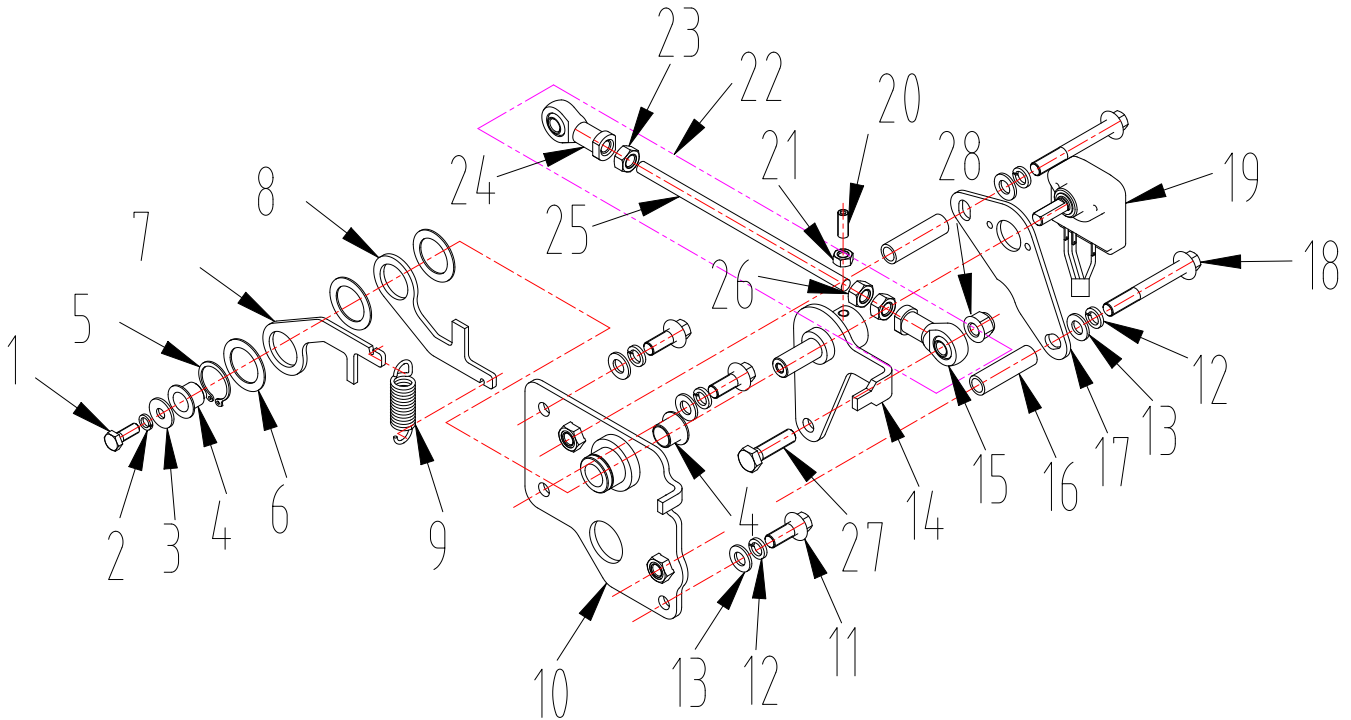
38	5232110	ASM, MOTION CONTROL LH
39	5232175	WLD, FENDER LH
40	5232195	TRAY, LH
41	5238047	BATTERY PACK
	5238047A	BATTERY PACK
42	B97.1-8	WASHER 8
43	B93-8	WASHER 8 - LOCKWASHER
44	B5783-825	HEX HD BOLT M8×25
45	B818-820	SCREW, M8 X 20MM
46	B5787-1090	SCREW, HH FLANGE M10 X 90
47	5232290	WLD, REAR FRAME
48	5232286	WLD, CONTROL COVER
49	B818-525	SCREW, M5 X 25MM
50	B93-5	WASHER 5
51	B97.1-5	WASHER 5
52	B6183.1-5	NUT M5
53	B6183-10	NUT, NYLOC FLANGE M10
54	5238059	HARNESS, CHARGE PORT
55	5238057	CHARGER 120V/240V
56	5238080	HARNESS, CHARGER ADPTR
57	5238058	CORD, CONTROLLER PWR
58	B276-6204RS	BEARING
59	632041G-10	TUBE, AXLE
60	632041G-9	AIR NOZZLE
61	632041G-4	WLD, WHEEL 13 X 6.5-6 PNEUM-BLACK
62	542007	TIRE, 13X6.5-6 PNEUMATIC

MOTION CONTROL ASSEMBLY(RIGHT)



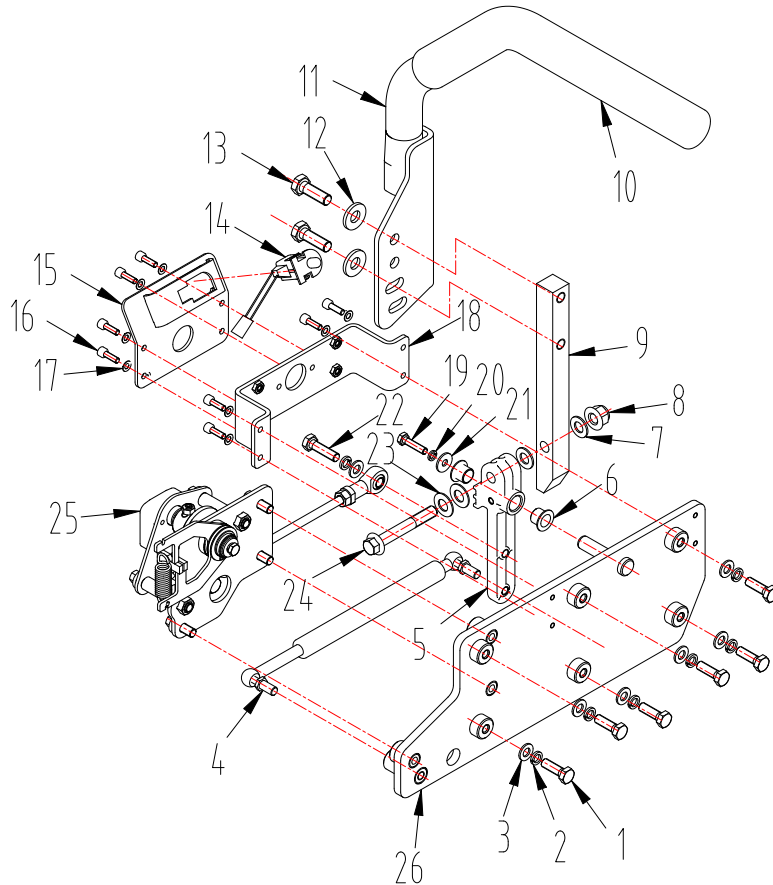
ITEM	PART NUMBER	DESCRIPTION	ITEM	PART NUMBER	DESCRIPTION
1	B97.1-8	WASHER 8	15	5238083	SWITCH,EZTR NEU
2	B93-8	WASHER 8 - LOCKWASHER	16	5232131	RH NEU SWITCH MT
3	B5783-825	HEX HD BOLT M8×25	17	B70.1-516	M5 × 16MM SHCS
4	5232121	WLD, CONTROL MT	18	B1972-A10	SPRING WASHER A10
5	5205020	DAMPER W/STUDS	19	5232090A	ASM, RTN RH
6	5232112	HANDLE	20	B16674.1-1065	FHCS M10 × 65
7	3224020	BUSHING, 12×14×12	21	B1972-A22.5-2	WASHER, SPRING DISC A22.5 OD
8	5232113	WASHER	22	B5783-830	SCREW, HH TAP M8×30
9	B6183-10	NUT, NYLOC FLANGE M10	23	B5783-616	SCREW, HH TAP M6×16
10	5232114	MT, LAP BAR	24	B93-6	LOCKWASHER 6
11	543156	GRIP, MOTION CONTROL LEVER	25	B96-6	WASHER, FLAT LARGE M6
12	5232139	WLD, LAP BAR	26	5232117	WLD, CONTROL BRKT
13	5201061	WASHER			
14	B5783-1030	HEX HD BOLT M10×30			

MOTION CONTROL ASSEMBLY(RIGHT)



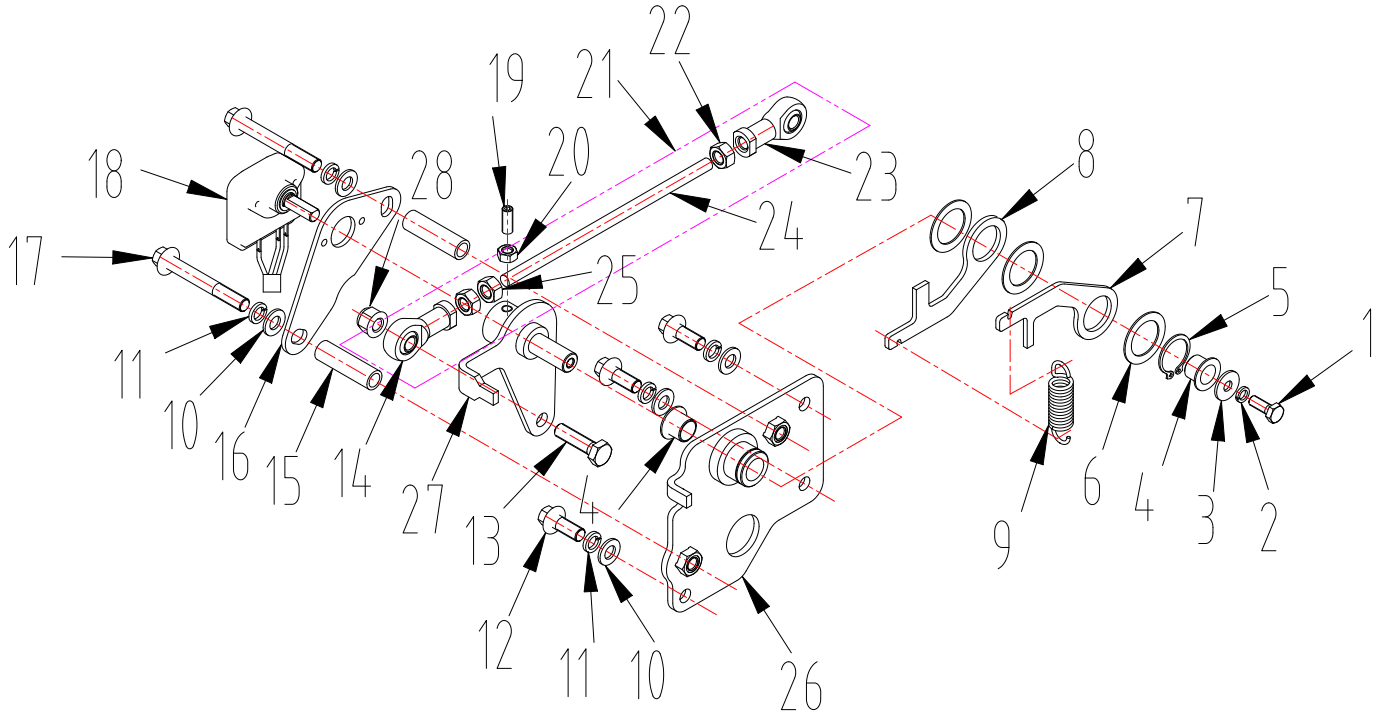
ITEM	PART NUMBER	DESCRIPTION	ITEM	PART NUMBER	DESCRIPTION
1	B5783-616	SCREW, HH TAP M6×16	15	B9161-SIBJK8C	ROD END 8M RH
2	B93-6	LOCKWASHER 6	16	5232069	SPACER
3	B96-6	WASHER, FLAT LARGE M6	17	5232071	PLATE, POT MT
4	543154	BUSHING, MOTION CONTROL	18	B5787-860	SCREW, HH FLANGED M8×60
5	B894.1-22	SNAP RING 22	19	5238003	POTENTIOMETER
6	5232078	SHIM	20	B77-616	SETSCREW, M6 X 16MM
7	5232079A	ARM, RTN	21	B6170-6	NUT M6
8	5232079	ARM, RTN	22	5232088	ASM, CONTROL LINK
9	5232080	SPRING, RTN	23	B6170-8L	NUT M8, LEVO
10	5232085	WLD, RTN CONTROL RH	24	B9161-SIBJK8CL	ROD END 8MM LH
11	B5783-820	SCREW, HH TAP M8×20	25	5232089	WLD, CONTROL MT LH
12	B93-8	WASHER 8 - LOCKWASHER	26	B6170-8	NUT M8
13	B97.1-8	WASHER 8	27	B5783-830	SCREW, HH TAP M8×30
14	5232082A	WLD, RTN PIVOT RH	28	B6183-8	NUT, FLANGED NYLOC M8

MOTION CONTROL ASSEMBLY(LEFT)



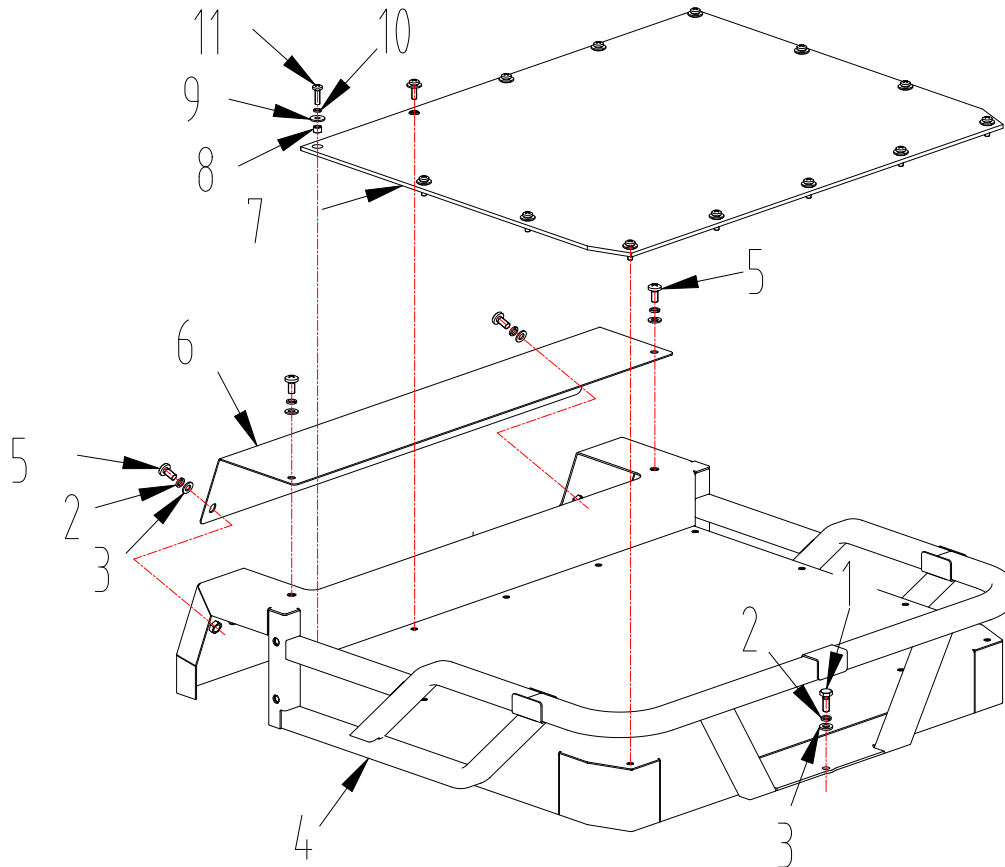
ITEM	PART NUMBER	DESCRIPTION	ITEM	PART NUMBER	DESCRIPTION
1	B5783-825	HEX HD BOLT M8×25	15	5232125	WLD, LH NEU SWITCH MT
2	B93-8	WASHER 8 - LOCKWASHER	16	B70.1-516	M5 × 16MM SHCS
3	B97.1-8	WASHER 8	17	B1972-A10	SPRING WASHER A10
4	5205020	DAMPER W/STUDS	18	5232117	WLD, CONTROL BRKT
5	5232112	HANDLE	19	B5783-616	SCREW, HH TAP M6×16
6	3224020	BUSHING, 12×14×12	20	B93-6	LOCKWASHER 6
7	5232113	WASHER	21	B96-6	WASHER, FLAT LARGE M6
8	B6183-10	NUT, NYLOC FLANGE M10	22	B5783-830	SCREW, HH TAP M8×30
9	5232114	MT, LAP BAR	23	B1972-A22.5-2	WASHER, SPRING DISC A22.5 OD
10	543156	GRIP, MOTION CONTROL LEVER	24	B16674.1-1065	FHCS M10 × 65
11	5232136	WLD, LAP BAR LH	25	5232070A	ASM, RTN LH
12	5201061	WASHER	26	5232115	WLD, CONTROL MT LH
13	B5783-1030	HEX HD BOLT M10×30			
14	5238083	SWITCH,EZTR NEU			

MOTION CONTROL ASSEMBLY(LEFT)



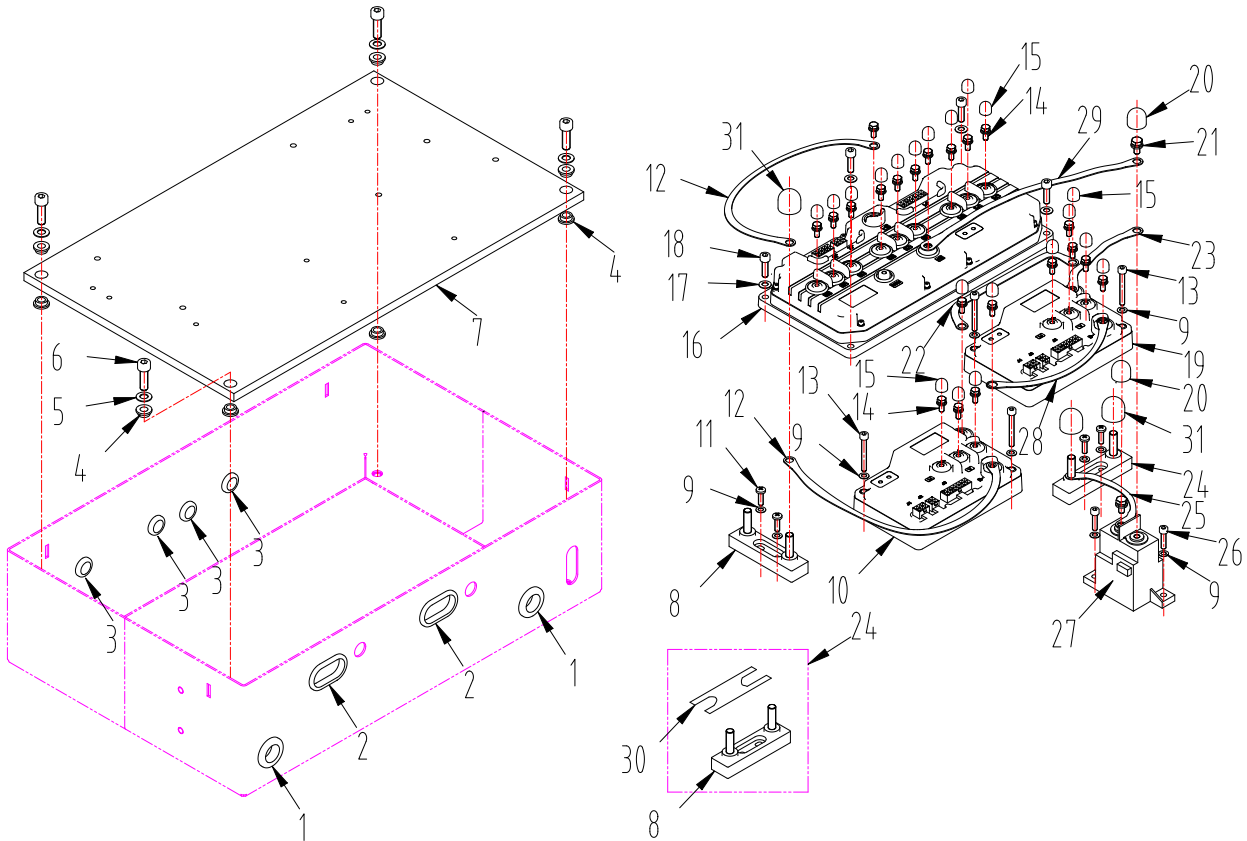
ITEM	PART NUMBER	DESCRIPTION	ITEM	PART NUMBER	DESCRIPTION
1	B5783-616	SCREW, HH TAP M6×16	15	5232069	SPACER
2	B93-6	LOCKWASHER 6	16	5232071	PLATE, POT MT
3	B96-6	WASHER, FLAT LARGE M6	17	B5787-860	SCREW, HH FLANGED M8 X60
4	543154	BUSHING, MOTION CONTROL	18	5238003	POTENTIOMETER
5	B894.1-22	SNAP RING 22	19	B77-616	SETSCREW, M6 X 16MM
6	5232078	SHIM	20	B6170-6	NUT M6
7	5232079A	ARM, RTN	21	5232088	ASM, CONTROL LINK
8	5232079	ARM, RTN	22	B6170-8L	NUT M8, LEVO
9	5232080	SPRING, RTN	23	B9161-SIBJK8CL	ROD END 8MM LH
10	B97.1-8	WASHER 8	24	5232089	WLD, CONTROL MT LH
11	B93-8	WASHER 8 - LOCKWASHER	25	B6170-8	NUT M8
12	B5783-820	SCREW, HH TAP M8×20	26	5232075	WLD, RTN CONTROL LH
13	B5783-830	SCREW, HH TAP M8×30	27	5232072A	WLD, RTN PIVOT LH
14	B9161-SIBJK8C	ROD END 8M RH	28	B6183.1-8	NUT, FLANGED NYLOC M8

BATTERY COVER ASSEMBLY



ITEM	PART NUMBER	DESCRIPTION
1	B5783-820	SCREW, HH TAP M8×20
2	B93-8	WASHER 8 - LOCKWASHER
3	B97.1-8	WASHER 8
4	5232290	WLD, REAR FRAME
5	B818-816	SCREW, PAN HEAD PHILLIPS M8 X 16
6	5232279	PANEL, MID ACCESS
7	5232295	MAT, REAR RUBBER
8	5232296	BUSHING
9	B96-6	WASHER, FLAT LARGE M6
10	B93-6	LOCKWASHER 6
11	B818-620	SCREW, PAN HEAD PHILLIPS M6 X 20

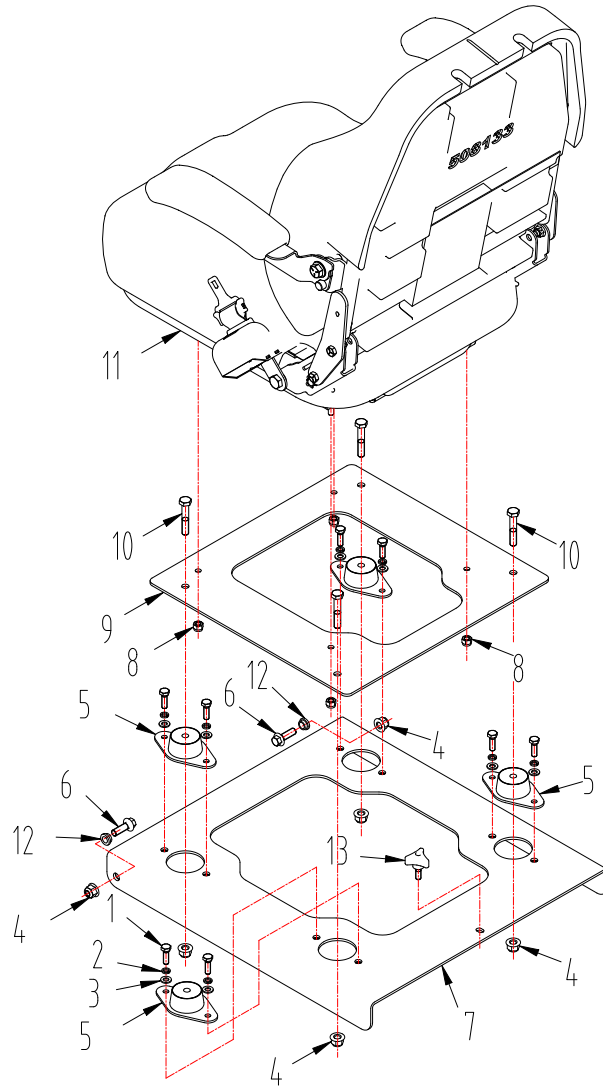
ELECTRICAL BOX ASSEMBLY



ITEM	PART NUMBER	DESCRIPTION
1	5238066	GROMMET, 20mm
2	5238067	GROMMET, 22mm x 44mm
3	5238065	GROMMET, 14mm
4	5238063	SPACER (MFM-0812-6)
5	B1972-A16	WASHER, SPRING DISC A16-1
6	B70-825	SCREW M8x25
7	5238015	PLATE, AL ECM BASE
8	5238062	MT, FUSE
9	B1972-A10	SPRING WASHER A10
10	5238002A	ECM, WHEEL MOTOR
11	B818-516	SCREW, MACHINE M5 x 16MM
12	5238050	CABLE, #6 X 280MM NEG
13	B70.1-535	M5 X 35MM SHCS
14	B9074.13-512	ASM, M5 X 12 SCW/WASHER
15	5238020	CAP, M5 SCREW
16	5238001A	ECM, BLADE MTR (3)

17	B1972-A12.5-1	SPRING WASHER A12.5
18	B70.1-620	M6 X 20MM SHCS
19	5238006	ECM, RH WHEEL MOTOR
20	5238021	CAP, M6 NUT
21	B9074.13-612	ASM, M6 x 12 SCW/WASHER
22	5238049	CABLE, #6 X 220MM POS
23	5238046	CABLE, #6 X 170MM POS
24	5238060	FUSE, MAIN
25	5238044	CABLE, #4 X 160MM POS
26	B70.1-516	M5 X 16MM SHCS
27	5238038A	RELAY, MAIN CNTRL
28	5238041	CABLE, #6 X 220MM NEG
29	5238052	CABLE, #6 X 270MM POS
30	5238061	FUSE 250 AMP
31	5238022	CAP, BOLT

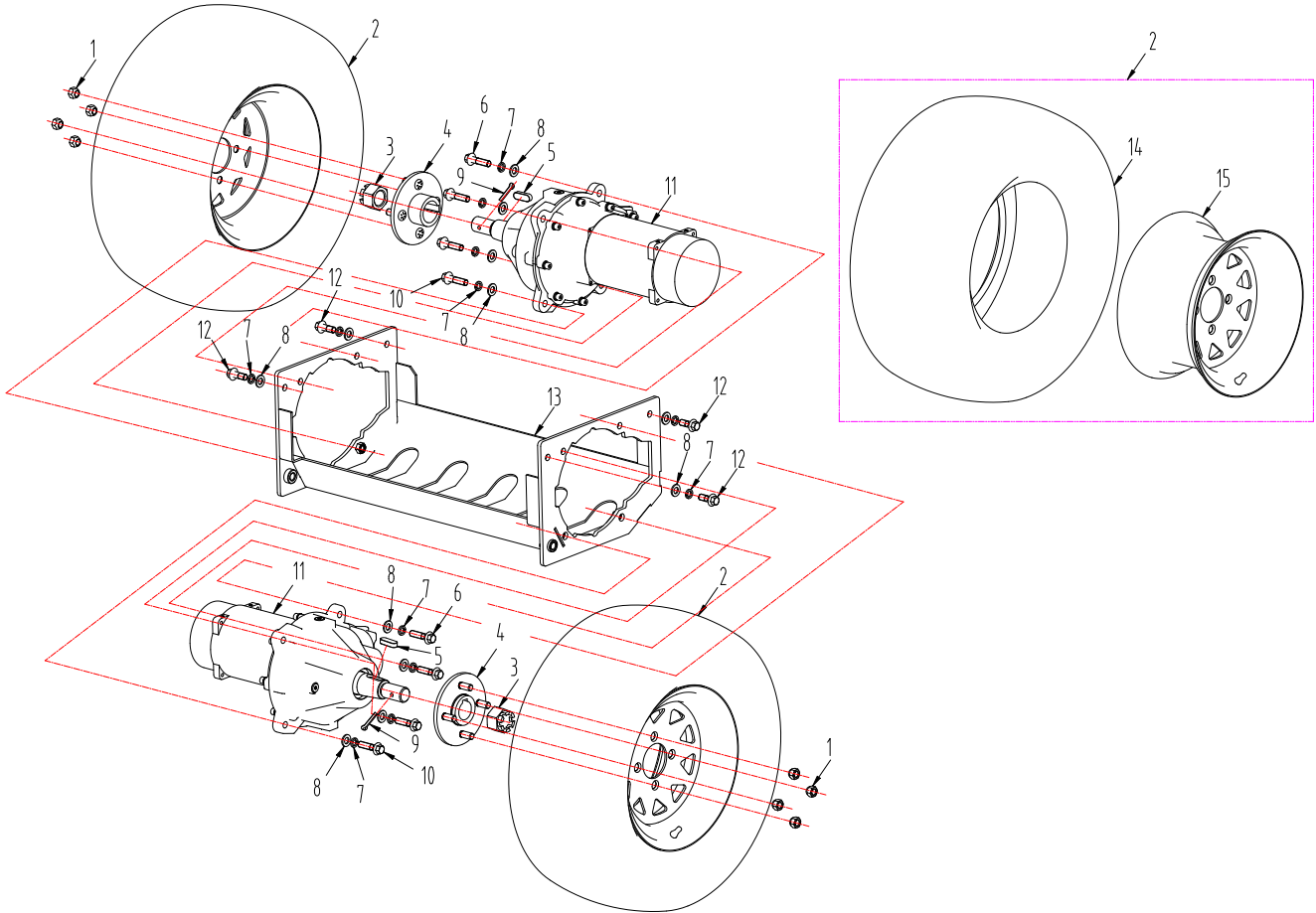
SEAT ASSEMBLY



ITEM	PART NUMBER	DESCRIPTION
1	B5783-825	HEX HD BOLT M8×25
2	B93-8	WASHER 8 - LOCKWASHER
3	B97.1-8	WASHER 8
4	B6183-10	NUT, NYLOC FLANGE M10
5	543181	ISO- MOUNT, SEAT
6	B5787-1030	SCREW, HH FLANGE M10×30
7	5232053	WLD, SEAT PAN

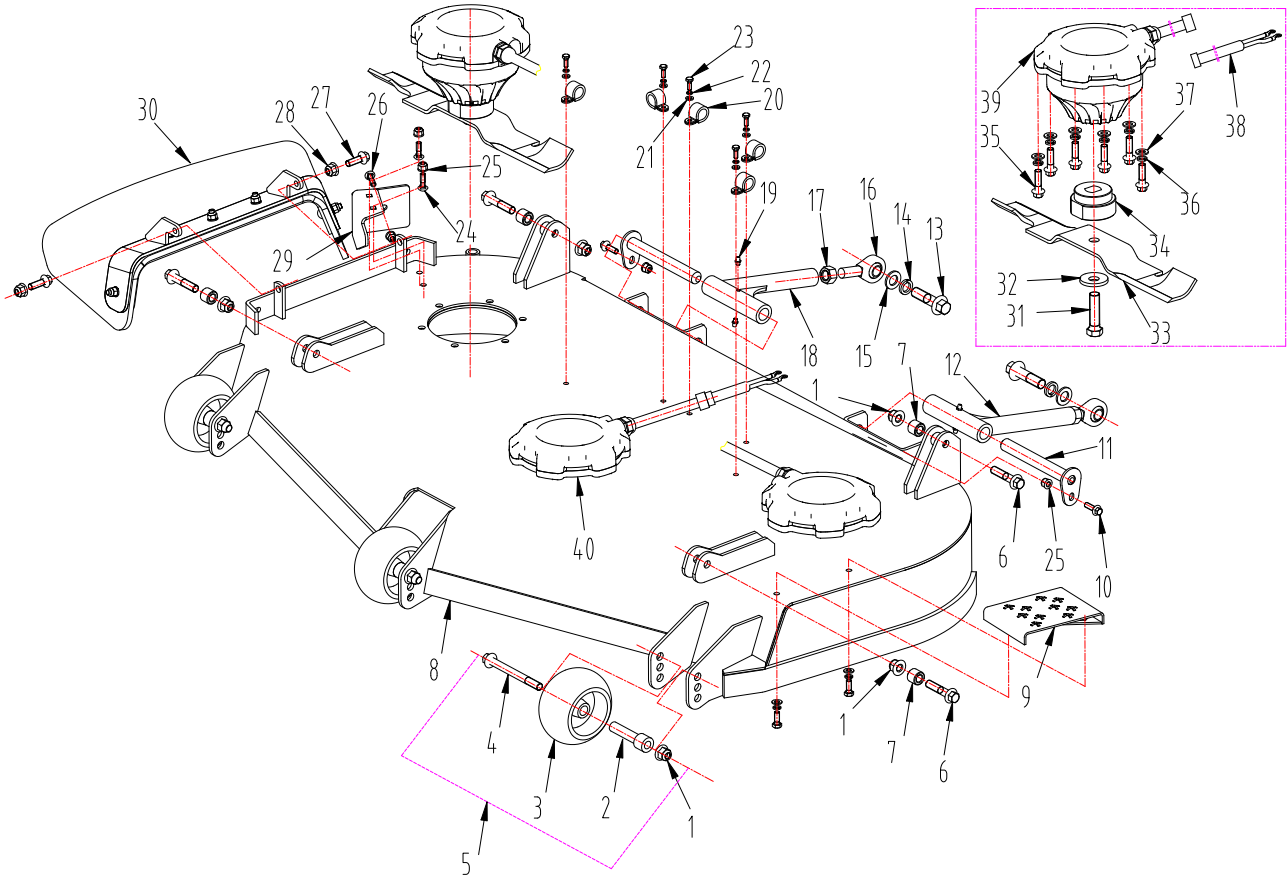
ITEM	PART NUMBER	DESCRIPTION
8	3300119	R/B 104256 NUT 5/16-18 NC
9	5232051	SEAT MOUNTING PLATE
10	B5782-1055	SCREW, HH M10×55
11	683348	SEAT, FULL SUSP
12	5232054	BUSHING
13	633239	KNOB, LONG 3 PRONG

DRIVE ASSEMBLY



ITEM	PART NUMBER	DESCRIPTION	ITEM	PART NUMBER	DESCRIPTION
1	103023	LUG NUT 1/2-20UNF	9	B91-6.350	COTTER PIN 6.3×50
2	5230005	ASM, DR WHEEL	10	B5787-1245	SCREW, HH FLANGED M12×45
3	B9458-30	NUT, M30 CASTLE	11	5232200A	MOTOR, EV WHEEL DR
4	5232222	HUB, WHEEL	12	B5787-1230	SCREW, HH FLANGED M12×30
5	B1096-1440	KEY, 14 X 40 SQ	13	5232030	WLD, WHEEL MTR MT
6	B16674.1-1250	FHCS M12 X 50	14	5230006	TIRE, 24×9.5×12 TURF
7	B93-12	LOCKWASHER M12	15	5230007	RIM, 12 × 8.00 BLACK
8	B97.1-12	WASHER 12			

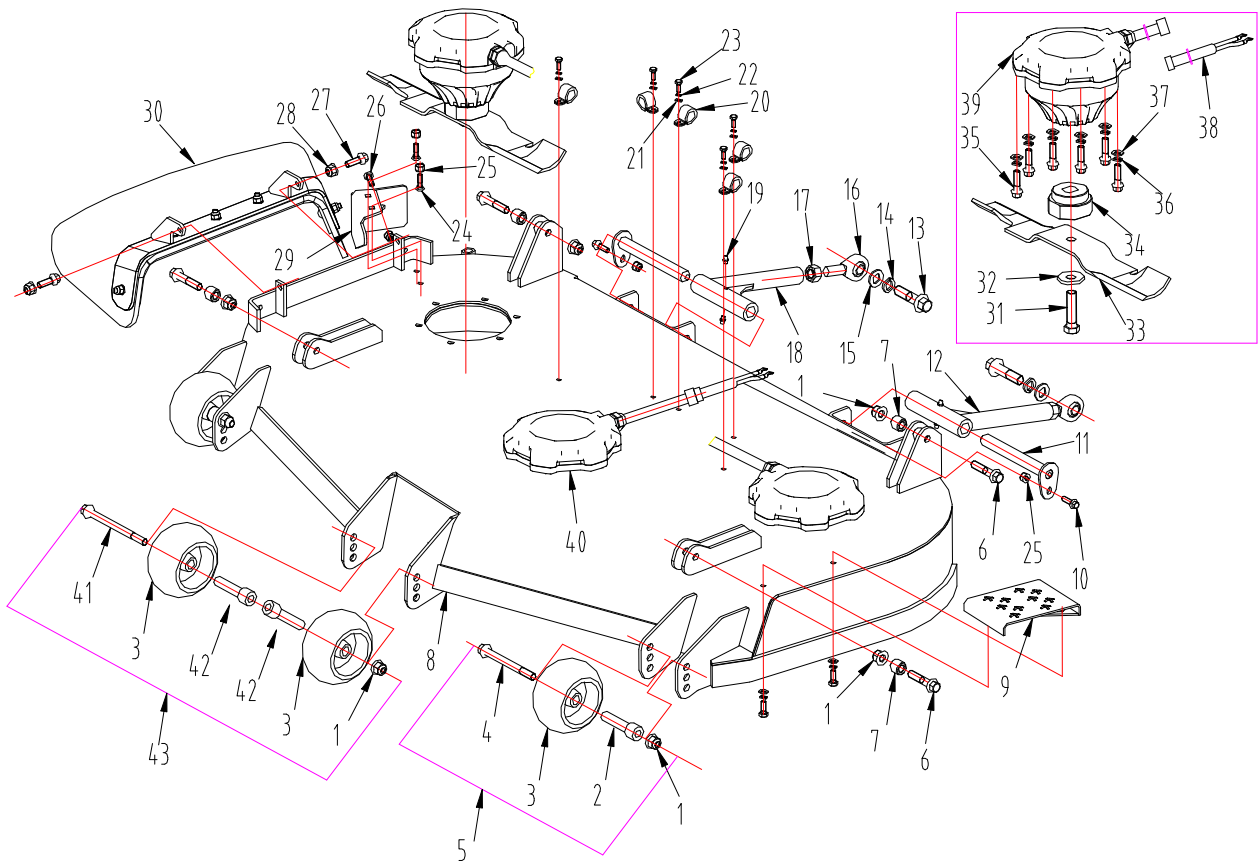
DECK ASSEMBLY(52")



ITEM	PART NUMBER	DESCRIPTION
1	B6183-12	NUT, NYLOC FLANGE M12
2	5231031	AXLE, ANTI-SCALP RLR
3	5201081	ANTI-SCALP ROLLER
4	B5787-12120	SCREW, HH FLANGE M12 X 120
5	5231030	ASM, ANTI-SCALP ROLLER
6	B5787-1255	SCREW, HH FLANGED M12 X 55
7	5231012	BUSHING
8	5231051	WLD, 52 EV DECK
9	542195-2	WLD, ANTI-SKID PAN, RED
10	B5787-825	SCREW, HH FLANGE M8x25
11	5201055	AXLE PIN WELDMENT
12	5231015	ASM, DECK STRUT
13	B5787-1260	SCREW, HH FLANGE M12 X 60
14	B93-16	WASHER, 16MM LOCK
15	B97.1-16	WASHER 16

16	B9161-SABJK16C	ROD END 16M RH
17	B6170-16	NUT M16
18	5231016	WLD, DECK STRUT
19	B1153-6	GREASE FITTING M6
20	5238051	CLAMP, 18MM CABLE
21	B97.1-6	WASHER 6
22	B93-6	LOCKWASHER 6
23	B5783-616	SCREW, HH TAP M6×16
24	B801-825	BOLT, CARRIAGE SN M8X25
25	B6183.1-8	FLANGED LOCKNUT M8
26	B801-830	CARRIAGE BOLT M8X30
27	B5787-1030	SCREW, HH FLANGE M10x30
28	B6183-10	NUT, NYLOC FLANGE M10
29	543213-2	BAFFLE, DOGLEG 52, RED
30	6001050A	ASM, DISCHARGE CHUTE 52/60
31	B5785-161560	BOLT M16×1.5×60 GRADE 10.9
32	5201042	WASHER(1)
33	3602005U	BLADE
34	5231061	ADPT, BLADE
35	B5787-1035	HEX FLANGE HD BOLT M10x35
36	B93-10	SPLIT LOCK WASHER M10
37	B97.1-10	WASHER, FLAT M10
38	5231026	CONNECTING WIRE, BLADE MOTOR
39	5231025	MAIN BLADE MOTOR
40	5231020A	MOTOR, EV BLADE

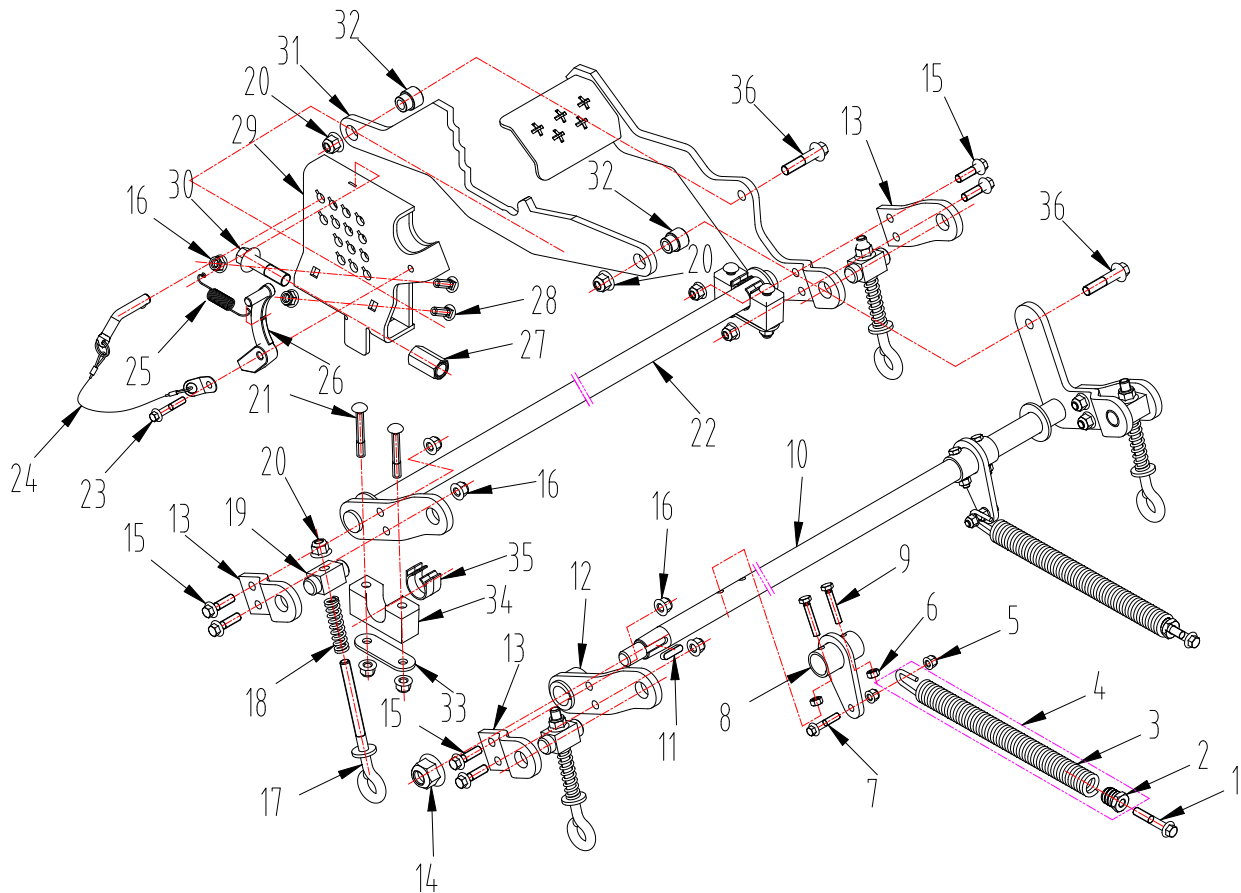
DECK ASSEMBLY(60")



ITEM	PART NUMBER	DESCRIPTION
1	B6183-12	NUT, NYLOC FLANGE M12
2	5231031	AXLE, ANTI-SCALP RLR
3	5201081	ANTI-SCALP ROLLER
4	B5787-12120	SCREW, HH FLANGE M12 X 120
5	5231030	ASM, ANTI-SCALP ROLLER
6	B5787-1255	SCREW, HH FLANGED M12 X 55
7	5231012	BUSHING
8	6031001	WLD, 60 EV DECK
9	542195-2	WLD, ANTI-SKID PAN, RED
10	B5787-825	SCREW, HH FLANGE M8x25
11	5201055	AXLE PIN WELDMENT
12	5231015	ASM, DECK STRUT
13	B5787-1260	SCREW, HH FLANGE M12 X 60
14	B93-16	WASHER, 16MM LOCK

15	B97.1-16	WASHER 16
16	B9161-SABJK16C	ROD END 16M RH
17	B6170-16	NUT M16
18	5231016	WLD, DECK STRUT
19	B1153-6	GREASE FITTING M6
20	5238051	CLAMP, 18MM CABLE
21	B97.1-6	WASHER 6
22	B93-6	LOCKWASHER 6
23	B5783-616	SCREW, HH TAP M6×16
24	B801-825	BOLT, CARRIAGE SN M8X25
25	B6183.1-8	FLANGED LOCKNUT M8
26	B801-830	CARRIAGE BOLT M8X30
27	B5787-1030	SCREW, HH FLANGE M10x30
28	B6183-10	NUT, NYLOC FLANGE M10
29	543213-2	BAFFLE, DOGLEG 52, RED
30	6001050A	ASM, DISCHARGE CHUTE 52/60
31	B5785-161560	BOLT M16×1.5×60 GRADE 10.9
32	5201042	WASHER(1)
33	6001004U	BLADE
34	5231061	ADPT, BLADE
35	B5787-1035	HEX FLANGE HD BOLT M10x35
36	B93-10	SPLIT LOCK WASHER M10
37	B97.1-10	WASHER, FLAT M10
38	5231026	CONNECTING WIRE, BLADE MOTOR
39	5231025	MAIN BLADE MOTOR
40	5231020A	MOTOR, EV BLADE
41	6031005	BOLT
42	6031004	ROLLER BUSHING
43	6031003	ROLLER ASM

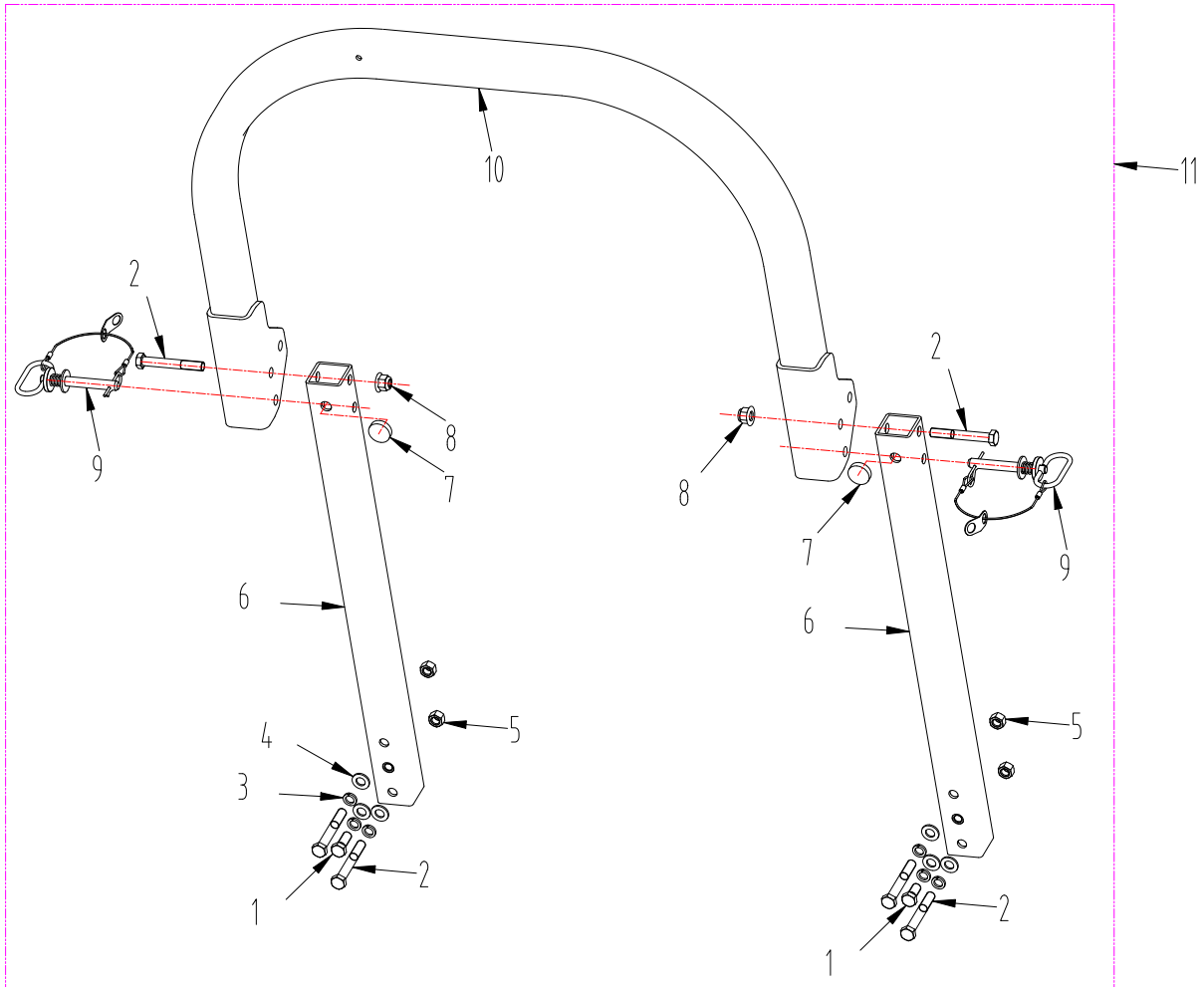
DECK LIFT ASSEMBLY



ITEM	PART NUMBER	DESCRIPTION
1	B5787-1055	BOLT M10 X 55
2	5233037	M10 INTERNAL, THD SPRING BOLT
3	5233036	SPRING, 24MM MD X 336MM
4	5233035	SPRING, EXTENSION
5	B6183.1-8	FLANGED LOCKNUT M8
6	B6184-8	LOCKNUT M8
7	B5783-840	SCREW, HH TAP M8×40
8	5233011	WLD, SPRING ARM
9	B5783-845	BOLT M8×45
10	5233002	WLD, REAR LIFT SHAFT
11	B1096-832	KEY 8 × 32
12	5233006	WLD, REAR LIFT ARM
13	5233008	CLAMP, TRUNNION
14	B6183-20	NUT, FLANGED NYLOC M20
15	B5787-1035	HEX FLANGE HD BOLT M10×35

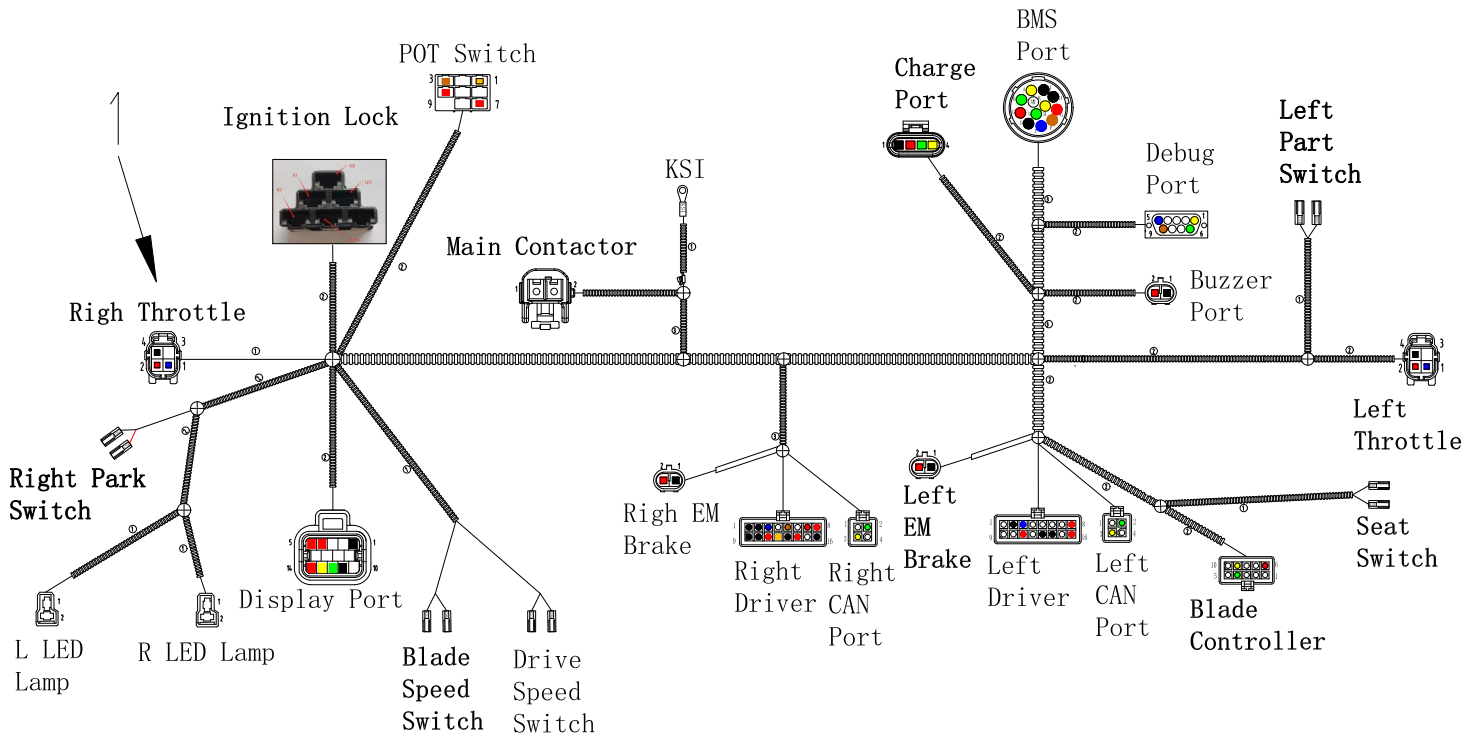
16	B6183-10	NUT, NYLOC FLANGE M10
17	5233016	EYE BOLT, DECK LIFT
18	5233018	SPRING, DECK ROD
19	5233009	BLOCK, TRUNNIION
20	B6183-12	NUT, NYLOC FLANGE M12
21	B801-1070	BOLT, CARRIAGE SN M10 X 70
22	5233021	WLD, FRONT LIFT SHAFT
23	B5783-845	BOLT M8×45
24	542193	ASM, HEIGHT PIN
25	543302	SPRING, EXTENSION
26	543138	PAWL, TRANSPORT
27	543445	NUT, LONG 16MM
28	B801-1030	BOLT, CARRIAGE SN M10×30
29	5233031	WLD, HOC BRKT
30	B5787-1260	SCREW, HH FLANGE M12 X 60
31	5233025	ARM, HOC LINK
32	5233026	BUSHING, HOC ARM
33	5233014	STRAP, BRNG MT
34	543124A	MOUNT, AL LIFT SHAFT
35	543123	BUSHING, CROSS SHAFT
36	B5787-1255	SCREW, HH FLANGED M12 X 55

ROPS ASSEMBLY



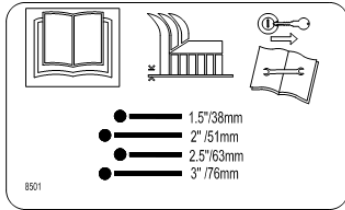
ITEM	PART NUMBER	DESCRIPTION
1	B5783-1230	BOLT M12×30
2	B5782-1285	SCREW, HH M12×85
3	B93-12	LOCKWASHER M12
4	B97.1-12	WASHER 12
5	B6184-12	NUT M12
6	5230031	TUBE, ROPS VERT
7	633422	BUMPER, RUBBER
8	B6183-12	NUT, NYLOC FLANGE M12
9	543262A	PIN, ROPS W/LANYARD
10	632073	ROPS UPPER
11	5230030	ROPS, COMPLETE

WIRING DIAGRAM



ITEM	PART NUMBER	DESCRIPTION
1	5238040A	HARNESS, EV MAIN

DECALS - SAFETY & OPERATION



1



2



3



4



5



6



7



8



9

10



11



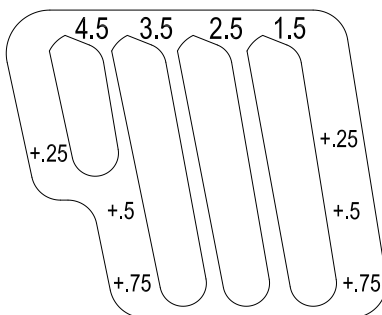
12



13



14



15



16

ITEM	PART NUMBER	DESCRIPTION
1	8501	DECAL, INTERNATIONAL LOGO
2	8308	DECAL, SHIELD WARNING - BLADE BOLTS
3	8303	DECAL, CAUTION, DEFLECTOR
4	8519	DECAL, WARNING, DISCHARGE OR CATCHER
5	8325E	DECAL, E BLADE
6	8101	DECAL, BATTERY INFO
7	8102	DECAL, WEIGHT LIMIT
8	633451	DECAL, E EDGE FNT
9	633445	DECAL, CHARGE PORT
10	633446	DECAL, E52 DECK
11	633447	DECAL, 82 VOLT
12	633452	DECAL, EN 18" ('24)
13	633453	DECAL, EN w/LOGO 10"
14	8119	DECAL, EN CHRГ CAP
15	8120	DECAL, DECK HEIGHT
16	8121	DECAL, E60 DECK



ENCORE

ALL RIGHTS RESERVED

CONTENTS SUBJECT TO CHANGE

EDGE PARTS MANUAL

202506