

ECOWATER  
SYSTEMS®



Your Water. Perfected.

Let us

Perfect

your water and

Maximize

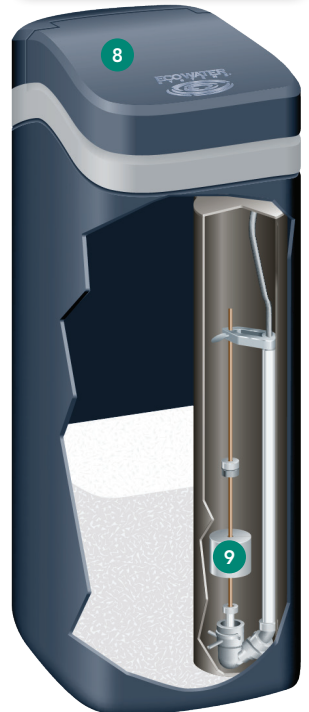
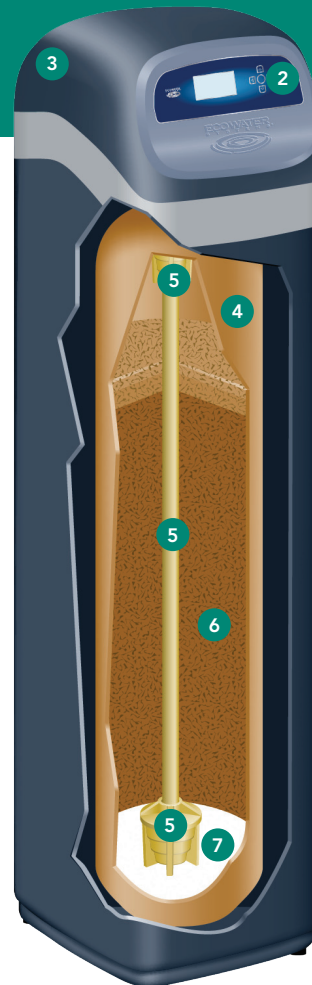
your peace of mind.

## ECR3702

ECOWATER 3700 SERIES WATER CONDITIONER

### The Latest Technology for Water Treatment

- HydroLink Plus® Wi-Fi and Smartphone App Monitoring**  
**HydroLink Plus®** – Wi-Fi enabled technology sends continuous and excessive water use, system error, low salt and service reminder alerts, including a water-to-drain sensing alert notifying you when an excessive amount of water is going to drain.  
**HydroLink®** – Patented two-way remote monitoring also available.  
**Highly Efficient Counter-Current Regeneration**  
**Water Meter**  
Allowing for chemical feed dosing, flow switch operation and water use information.
- Patented Electronics Digital Demand Module**  
Sophisticated, yet easy-to-use electronics capture historical usage patterns to predict future needs for precise regenerations.
- High Quality Fit and Finish with Dampened Hinge Salt Cover**
- Multi-Wrap Fiberglass Reinforced Resin Tank**  
Durable tank liner will not deteriorate, rust, or corrode.
- Full One-Inch Riser with Self-Cleaning Distributors**  
One-inch diameter for increased flow rates, which ensures that household demand is adequately met. Distributors exhibit excellent flow rates and are cleaned automatically by counter-current water pressure.
- Patented Stratified Resin Bed**  
Layered mix of fine and standard size resin provides superior filtration and iron removal without sacrificing flow rate capability.
- Washed Quartz Underbedding**  
Helps provide a cleaner, more thorough regeneration of the resin.
- Automatic Salt-Level Detection and Tank Light**  
Simply add salt, no salt level setting required. Our integrated sensor will detect the salt level and alert you when the salt level is low.
- Positive-Action Brine Valve**  
Snap-together construction eliminates use of solvents that may contaminate water. Positive action helps prevent overfilling.



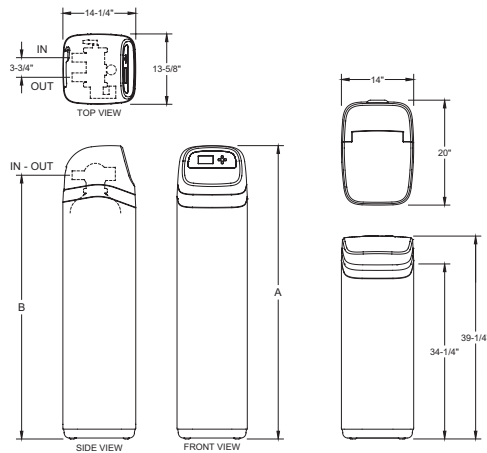
Designed, Engineered &  
Assembled in the U.S.A.

ecowater.com

# ECR3702

## ECOWATER 3700 SERIES WATER CONDITIONER

### DIMENSIONS



	ECR3702 R30	ECR3702 R40	ECR3702 R70
Nominal Resin Tank Size	10" Diam. x 35"	10" Diam. x 47"	12" Diam. x 54"
A	45"	57"	63"
B	39 <sup>1</sup> / <sub>8</sub> "	51 <sup>1</sup> / <sub>8</sub> "	57 <sup>1</sup> / <sub>8</sub> "

### SPECIFICATIONS

	ECR3702R30	ECR3702R40	ECR3702R70
Efficiency (gr./lb. @ min. lb. salt dose)	5,030 @ 1.6	5,030 @ 2.2	5,030 @ 6.2
Hardness Capacity (gr. @ max. lb. salt dose)	27,100 @ 11.0	36,300 @ 14.8	71,500 @ 25.6
Certified Flow Rate (gpm @ psi)	11 @ 8	12 @ 13	12 @ 11
Intermittent Flow Rate (gpm @ psi) <sup>1</sup>	16.5 @ 15	13.6 @ 15	17.0 @ 15
Intermittent Flow Rate (gpm @ psi) <sup>1</sup>	25.8 @ 30	21.6 @ 30	22.0 @ 30
Stratified Resin Bed (lbs.)	47	63	109
Quartz Gravel Base (lbs.)	10	10	12
Maximum Water Hardness (grains per gallon)	60	75	125
Maximum Clear Water Iron (ppm-Fe) <sup>2</sup>	12	15	15
Approximate Water Used Each Regeneration (gal.) <sup>3</sup>	38	51	104
Salt Storage Capacity (lbs.)	300	300	300
Supply Water Pressure Limits (psi) <sup>4</sup>	20-125	20-125	20-125
Supply Water Temperature Limits (°F/°C)	40-120 / 4-49	40-120 / 4-49	40-120 / 4-49
Ambient Temperature Range (°F/°C)	35-150 / 2-66	35-150 / 2-66	35-150 / 2-66
Plumbing Connection Provided (inches)	1	1	1

Electrical Requirement, 120V, 50/60Hz, (24V DC, 500 mA, power supply included)

<sup>1</sup>Intermittent flow rate does not represent the maximum service flow rate used for determining the conditioner's rated capacity and efficiency. Continuous operation at flow rates greater than the certified flow rate may affect capacity and efficiency performance. The validity of these flow rates is verified by NSF. <sup>2</sup>Increased amounts of clear water iron can reduce conditioners efficiency. Refer to owner's manual for details. Wisconsin requires additional treatment if water supply contains greater than 5 ppm clear water iron. <sup>3</sup>When operated at 35 psi water pressure. <sup>4</sup>Maximum pressure for Canadian use is 7.0 Kg/cm<sup>2</sup>.

### WARRANTY

- For the lifetime of the original owner, the salt tank and mineral tank will not rust, corrode, leak, burst, or in any other manner fail to perform their proper functions.
- For a period of ten years, the valve body will be free of defects in materials and workmanship and will perform its proper function.
- For a period of seven years, the electronic faceplate will be free of defects in materials and workmanship and will perform its normal function.
- For a period of five years, all other parts, including the HydroLink<sup>®</sup> remote will be free of defects in materials and workmanship and will perform their normal functions.

