

iBend B Series

CNC HYDRAULIC PRESS BRAKE



2D GRAPHICAL SCREEN
FLEXIBLE FEATURES, HIGH ACCURACY

General Features

- ▶ B series press brake can configure 3 axes (Y1,Y2,X) and up to maximum 6 axes (Y1,Y2,X+R,) or (Y1,Y2,X+R,Z1+Z2)
- ▶ Body and upper beam made of steel constructions, has been designed according minimum stretch and optimum resistance criteria
- ▶ Body, as the manufacture of precise CNC machining center is a single operation.
- ▶ Cylinders processed as precision from solid full material and made honed.
- ▶ Pistons, processed from forged steel, hardened, grinding is done, and chrome-coated.
- ▶ Maximum machine performance and high bending accuracy provided by synchronized Hydraulic Cylinders, CNC-controlled, assembly in ideal conditions made the original Germany hydraulic block, Proportional Valves,high quality Givi or Heidenhain optic linear scales
- ▶ Each time the machine automatically goes to the reference.
- ▶ Automatic pressing force adjustment according material and tools criteria
- ▶ Automatic positions settings and retract functions each step in bending programming
- ▶ Automatic stroke adjustment
- ▶ Programmable and automatic maximum force limitations for protections tools damage.
- ▶ Bending programs can save memory and recall again, search according material, tools
- ▶ Programmable working speed
- ▶ Manual, Semiautomatical, Fullautomatical working mode
- ▶ Conical bending features
- ▶ C type Linear Scale holders for body stretch compensations, protect diagonal working
- ▶ Close Loop Synchronized Cylinders controlling on bend processing .
- ▶ Maximum hydraulic pressure protect by safety valve
- ▶ Electronically overload protect system
- ▶ Automatically calculations unfolded length, Automatically and programmable bend order features, according to the material thickness, material type, tools features Standard .2D graphical color controller provided optimizations of automatically search bend order with collisions check for bending parts
- ▶ Optionally original wila brand manual or motorized crowning systems

▶ Controller



2D & 3D touch-screen control from 10" to 19". Off-line software included with 3D version.

Standard Equipments

- ▶ Y1,Y2, X axis
- ▶ High Stroke 260 mm
- ▶ Big Throat 400 mm
- ▶ CNC 2D Graphical colored control unit M30 (Automatic Search bend order optimizations with collision check), 7 inch, LCD,
- ▶ Cybelec DNC60 or Delem DA-52
- ▶ Offline Software for Cybelec and M30
- ▶ Original Hoerbiger or Rexroth Hydraulic Systems with CE norms compatible
- ▶ Schneider-Telemecanique electrical components, with ventilations electrical cabinet
- ▶ Multi –Functions stand type Control panel and foot pedal with CE norms compatible
- ▶ High Quality, high accuracy, +- 0,005 mm Heidenhein or Givi optic linear scale
- ▶ Up to 120 mm/second upper beam approach speed
- ▶ Up to 120mm /second upper beam return speed
- ▶ User friendly ergonomically movable control panel
- ▶ Unimec original brand, Rigid heavy duty, cnc controlled back gauge
- ▶ Movable sliding front support arm system
- ▶ +- 0,03mm precision servo motorized, back gauge system with driver
- ▶ Back gauge X axis range (stroke) 750 mm
- ▶ Back gauge speed 500mm /second
- ▶ Manual movable back gauge fingers along of bending length
- ▶ Side protect covers
- ▶ Quick clamping system for promecam type top tool
- ▶ Top tools hardened, grinded standard 835mm lengths, 66,6mm (1260)-105mm (1281) (400 ton and over) high
- ▶ Bottom tools hardened, grinded standard 835 mm lengths, 60x60mm, 4 channels 16/22/35/50 mm (2067)
- ▶ Narrow table or T slot wide table
- ▶ CE conformity light barriers rear of pres
- ▶ Complete electrical switch board and control panel for 400V AC 3 Phase 50Hz

▶ Back Gauge



▶ Original Unimec Single Axes X (R Manual) Standard

▶ Original Unimec 2 Axes X + R Back Gauge Optional

▶ Original Unimec 4 Axes X+R+Z1+Z2 Back Gauge Optional

▶ Crowning (Anti-Deflections) System



▶ Original WILA 'Opposing wave' Manual Crowning System Optional

▶ Original WILA 'Opposing wave' Motorized Crowning System Optional

▶ Rear Side Safety



▶ Rear side protection cover

▶ Rear Light Barrier Standard

Optional Equipments

- ▶ Cybelec DNC 600, numerical, shown of parts on L alpha page CNC control unit
- ▶ Cybelec DNC 880s 2D graphical colored CNC control unit (automatic search bend order, optimizations, collision check)
- ▶ Delem DA-56, 2D graphical colored CNC control unit (automatic search bend order optimizations collision check)
- ▶ Delem Profile W Software
- ▶ Original WILA 'Opposing wave' Manual Crowning (Anti-deflections) System
- ▶ Original WILA 'Opposing wave' Motorized Crowning (Anti-deflections) System
- ▶ X,R 2 axis back gauge
- ▶ 1000mm X axis range (stroke)
- ▶ CE Conformity with AKAS Laser finger protections manual and safety PLC
- ▶ CE Conformity with AKAS Laser finger protections Motorized and safety PLC
- ▶ CE Conformity with LASERSAFE Laser finger protections and safety PLC
- ▶ DFS Laser Beams finger protections in front
- ▶ Light Barriers in front (for Tandem applications)
- ▶ Extra back gauge fingers
- ▶ Extra front support arms
- ▶ WILA hydraulic or mechanic top tool clamping system
- ▶ WILA hydraulic or mechanic bottom tool clamping system
- ▶ Hydraulic Promecam type top tool clamping system
- ▶ American type compatible top tool clamping system
- ▶ 500mm throat and 300mm stroke
- ▶ Special stroke, Special throat
- ▶ Extra Control panel foot pedal
- ▶ T slot on Table
- ▶ Heat Exchanger (Oil Cooler)
- ▶ Special Color
- ▶ ROL1 or ROL2- ROL4 top tool clamping systems
- ▶ 220-240V 60hz operating voltage
- ▶ 440-480V 60hz operating voltage
- ▶ 220-240V 60Hz and 440V-480V 60 Hz double operating voltage (by preliminary preparation)

▶ Safety



▶ DFS Laser Optional

▶ Manual Akas Laser Optional

▶ Motorized Akas Laser Optional

▶ LaserSafe Optional

▶ Light Barrier (Tandem) Optional

▶ Other Equipments



▶ Bottom and Top Tools Standard

▶ WILA Tool Clamping System Optional

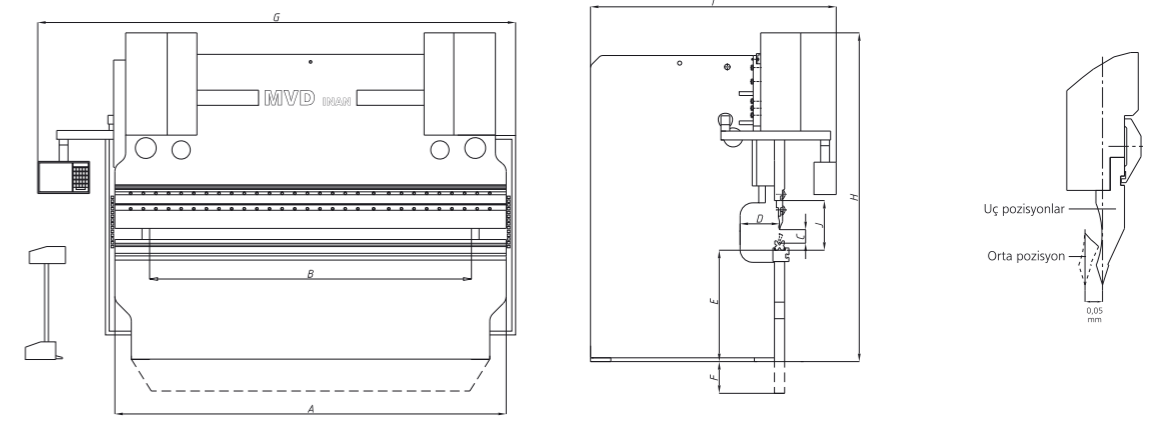
▶ Sliding Front Support Arms Standard

▶ Laser Angle Management System Optional

▶ ROL 2-ROL 4 Hydraulic Clamping Optional

▶ Special Throat Optional

Technical Features



Technical Table

iBend B-Series	Bending Power Force	Bending length	Distance Between Columns	Stroke	Daylight	Throat	Table Height	Table Height Below Ground	Backgauge Speed			Backgauge Stroke	Length	Height	Width	Crowning		Rapid Approach Speed	Pressing Speed	Return Speed	Hydraulic tank	Main motor	Weight
	ton.	A	B	C	J	D	E	F	X Axis	X-R Axis		X Axis	G	H	L	Manual	Motorized	mm/sec	mm/sn.	mm/sec	Lt	Kw.	kg
		mm.	mm.	mm.	mm.	mm.	mm.	mm.	X Axis Speed	X Axis Speed	R Axis Speed	mm.	mm.	mm.	mm.								
									(mm/s)	(mm/s)	(mm/s)												
B40-1250	40	1250	1100	260	465	400	870	xx	500	500	300	750	2750	2400	1950	-	-	120	9	100	95	4	3050
B60-2100	60	2100	1600	260	465	400	880	xx	500	500	300	750	3600	2400	2100	-	-	120	10	120	110	4	4850
B60-2600	60	2600	2150	260	465	400	880	xx	500	500	300	750	4150	2400	2150	Optional	Optional	120	10	120	110	5,5	5300
B100-2600	100	2600	2150	260	465	400	880	xx	500	500	300	750	4150	2430	2150	Optional	Optional	120	10	120	110	7,5	5800
B100-3100	100	3100	2600	260	465	400	900	xx	500	500	300	750	4750	2450	2200	Optional	Optional	120	10	120	180	7,5	6450
B135-3100	135	3100	2600	260	465	400	920	xx	500	500	300	750	4750	2500	2500	Optional	Optional	120	10	120	180	11	7600
B175-3100	175	3100	2600	260	465	400	920	xx	500	500	300	750	4750	2600	2675	Optional	Optional	120	10	120	180	15	8800
B220-3100	220	3100	2600	260	465	400	930	xx	500	500	300	750	4800	2730	2700	Optional	Optional	110	10	120	290	18,5	10800
B270-3100	270	3100	2600	260	465	400	950	xx	500	500	300	750	4850	2850	2800	Optional	Optional	100	10	120	290	22	13100
B320-3100	320	3100	2600	260	465	400	970	xx	500	500	300	750	4850	2900	2850	Optional	Optional	100	9	120	290	22	14200
B135-3700	135	3700	3200	260	465	400	930	xx	500	500	300	750	5450	2600	2500	Optional	Optional	120	10	120	180	11	8600
B175-3700	175	3700	3200	260	465	400	940	xx	500	500	300	750	5450	2800	2675	Optional	Optional	120	10	120	180	15	9900
B220-3700	220	3700	3200	260	465	400	940	xx	500	500	300	750	5450	2900	2700	Optional	Optional	110	10	120	290	18,5	12000
B320-3700	320	3700	3200	260	465	400	970	xx	500	500	300	750	5450	3000	2900	Optional	Optional	100	9	120	290	22	15100
B135-4100	135	4100	3200	260	465	400	930	xx	500	500	300	750	5850	2600	2500	Optional	Optional	120	10	120	180	11	9600
B175-4100	175	4100	3200	260	465	400	940	xx	500	500	300	750	5850	2800	2675	Optional	Optional	120	10	120	180	15	11000
B220-4100	220	4100	3200	260	465	400	940	xx	500	500	300	750	5850	2900	2700	Optional	Optional	110	10	120	290	18,5	12900
B270-4100	270	4100	3200	260	465	400	950	xx	500	500	300	750	5850	3000	2800	Optional	Optional	100	10	120	290	22	14700
B320-4100	320	4100	3200	260	465	400	970	xx	500	500	300	750	5850	3050	2850	Optional	Optional	100	9	120	290	22	16300
B400-4100	400	4100	3200	310	550	500	1250	xx	500	500	300	750	5850	3100	3050	-	Optional	90	8,5	90	370	30	20800
B500-4100	500	4100	3200	310	550	500	850	685	500	500	300	750	5850	3150	3050	-	Optional	80	10	80	550	45	26100
B220-4300	220	4300	3700	260	465	400	950	XX	500	500	300	750	6000	3000	2750	Optional	Optional	110	10	120	290	18,5	14100
B270-4300	270	4300	3700	260	465	400	950	XX	500	500	300	750	6000	3050	2850	Optional	Optional	100	10	120	290	22	15600
B320-4300	320	4300	3700	260	465	400	970	XX	500	500	300	750	6000	3150	2900	Optional	Optional	100	9	120	290	22	17200
B220-5100	220	5100	4200	260	465	400	970	XX	500	500	300	750	6900	3100	2800	Optional	Optional	110	10	120	290	18,5	17900
B270-5100	270	5100	4200	260	465	400	970	XX	500	500	300	750	6900	3150	2900	Optional	Optional	110	10	120	290	22	20400
B320-5100	320	5100	4200	260	465	400	1000	XX	500	500	300	750	6900	3200	2950	Optional	Optional	100	9	120	290	22	22800
B400-5100	400	5100	4200	310	550	500	1050	XX	500	500	300	750	6900	3300	3050	-	Optional	90	8,5	90	410	30	26000
B220-6100	220	6100	5100	260	465	400	1050	xx	500	500	300	750	8000	3000	3050	Optional	Optional	110	10	120	400	18,5	24000
B320-6100	320	6100	5100	260	465	400	1100	xx	500	500	300	750	8000	3050	2950	-	Optional	100	9	120	400	22	29000
B400-6100	400	6100	5100	310	550	500	1150	xx	500	500	300	750	8050	3650	3050	-	Optional	90	8,5	90	400	30	34500
B500-6100	500	6100	5100	310	550	500	900	1450	500	500	300	750	8100	3950	3150	-	Optional	80	10	80	550	37	40000
B600-6100	600	6100	5100	360	600	600	900	1500	500	500	300	750	8150	4300	3300	-	Optional	75	9,5	90	550	45	46000
B800-6100	800	6100	5100	410	650	600	900	1550	500	500	300	750	8200	4500	3500	-	Optional	70	8,7	90	640	55	58000
B1000-6100	1000	6100	5100	510	750	600	900	1700	500	500	300	750	8250	4750	3800	-	Optional	65	7,2	90	1000	55	72000

Technical specifications are subject to change without notice.
Special capacity machines can be manufactured upon request.