

iBend C Series

CNC HYDRAULIC PRESS BRAKE



300 MM STROKE
500 MM THROAT
HIGH SPEED, HIGH PERFORMANCE

General Features

- ▶ C series press brake can configure 4 axes (Y1,Y2,X,R) and up to maximum 12 axes (Y1,Y2,X1,X2,R1,R2,Z1,Z2,AP3,AP4...)
- ▶ Offline software for Cybelec and M50
- ▶ Body and upper beam made of steel constructions, has been designed according minimum stretch and optimum resistance criteria
- ▶ Body, as the manufacture of precision CNC machining center is a single operation.
- ▶ Cylinders, processed as precision from solid full material and made honed .
- ▶ Pistons, processed from forged steel, hardened, grinding is done, and chrome-coated.
- ▶ Maximum machine performance and high bending accuracy provided by synchronized Hydraulic Cylinders, CNC-controlled, assembly in ideal conditions made the original Germany hydraulic block, Proportional Valves, high quality Givi or Heidenhain optic linear scales
- ▶ Each time the machine automatically goes to the reference.
- ▶ Automatically pressing force adjustment according material and tools criteria
- ▶ Automatic positions settings and retract functions each step in bending programming
- ▶ Automatic stroke adjustment
- ▶ Programmable and automatically maximum force limitations for protections tools damage.
- ▶ Bending programs can save memory and recall again, search according material, tools
- ▶ Programmable working speed
- ▶ Manual, Semiautomatic, Full automatic working mode
- ▶ Conical bending features
- ▶ C type Linear Scale holders for body stretch compensations, protect diagonal working
- ▶ Close Loop Synchronized Cylinders controlling on bend processing .
- ▶ Maximum hydraulic pressure protect by safety valve
- ▶ Electronic overload protect system
- ▶ Automatically calculations unfolded length, Automatically and programmable bend order features, according to the material thickness, material type, tools features Standard .2D graphical color controller provided optimizations of automatical search bend order with collisions check for bending parts
- ▶ Standard original wila brand manual or motorized crowning systems

▶ Controller



2D & 3D touch-screen control from 10" to 19". Off-line software included with 3D version.

Standard Equipments

- ▶ Y1, Y2, X, R Axis
- ▶ Exceptional High Stroke 300 mm
- ▶ Exceptional Big Throat 500 mm
- ▶ Cybelec ModEva 10's CNC 2D graphical colored control unit,
- ▶ Delem 66T CNC control unit
- ▶ (Touch Screen 3 D visualizations for machine, parts, tools, backgauge)
- ▶ M50 2D colored graphical CNC control unit (15 inch TFT Windows)
- ▶ Original WILA 'Opposing wave' Manual and Motorized Crowning (Anti-deflections) System
- ▶ Original Hoerbiger or Rexroth Hydraulic Systems with CE norms compatible
- ▶ Schneider-Telemecanique electrical components, with ventilations electrical cabinet
- ▶ Multi -Functions stand type Control panel and foot pedal with CE norms compatible
- ▶ High Quality, high accuracy, +- 0,005 mm Heidenhein or Givi optic linear scale
- ▶ Up to 120 mm/second upper beam approach speed
- ▶ Up to 120mm /second upper beam return speed
- ▶ User friendly ergonomically movable control panel
- ▶ Unimec original brand, Rigid heavy duty, cnc controlled back gauge
- ▶ Movable sliding front support arm system
- ▶ +- 0,03mm precision servo motorized, back gauge system with driver
- ▶ Back gauge X axis range (stroke) 750 mm
- ▶ Back gauge speed 500mm /second
- ▶ Manual movable back gauge fingers along of bending length
- ▶ Side protect covers
- ▶ Quick clamping system for promecam type top tool
- ▶ Top tools hardened, grinded standard 835mm lengths, 66,6mm (1260)-105mm (1281) (400 ton and over) high
- ▶ Bottom tools hardened, grinded standard 835 mm lengths, 60x60mm, 4 channels 16/22/35/50 mm (2067)
- ▶ Narrow table or T slot wide table
- ▶ CE conformity light barriers rear of pres
- ▶ Complete electrical switch board and control panel for 400V AC 3 Phase 50Hz

▶ Back Gauge



▶ Original Unimec 2 Axis X + R Back Gauge Standard

▶ Original Unimec 4 Axis X+R+Z1+Z2 Back Gauge Optional

▶ Original Unimec 6 Axis X1+X2+R1+R2+Z1+Z2 Back Gauge Optional

▶ Crowning (Anti-Deflections) System



▶ Original WILA 'Opposing wave' Manual Crowning System Standard

▶ Original WILA 'Opposing wave' Motorized Crowning System Optional
*(Standard according size of machine)

▶ Rear Side Safety



▶ Rear side protection cover

▶ Rear Light Barrier Standard

Optional Equipments

- ▶ High Speed options, Approach speed, return speed up to 180 mm/second
- ▶ Cybelec ModEva 12's – 15's, 3 D colored graphical CNC control unit
- ▶ Delem 69, 3 D colored graphical CNC control unit
- ▶ M50 PCT, 3 D colored graphical CNC control unit
- ▶ Delem Profile W Software
- ▶ Original WILA 'Opposing wave' Motorized Crowning (Anti-deflections) System
- ▶ X,R, Z1+Z2 4 axis back gauge
- ▶ X1+X2, R, Z1+Z2 5 axis back gauge
- ▶ X1+X2,R1+R2, Z1+Z2 6 axis back gauge
- ▶ X5 axis
- ▶ 1000mm X axis range (stroke)
- ▶ CE Conformity with AKAS Laser finger protections manual and safety PLC
- ▶ CE Conformity with AKAS Laser finger protections Motorized and safety PLC
- ▶ CE Conformity with LASERSAFE Laser finger protections and safety PLC
- ▶ DFS Laser Beams finger protections in front
- ▶ Light Barriers in front (for Tandem applications)
- ▶ Extra back gauge fingers
- ▶ Extra front support arms
- ▶ WILA hydraulic or mechanic top tool clamping system
- ▶ WILA hydraulic or mechanic bottom tool clamping system
- ▶ Hydraulic Promecam type top tool clamping system
- ▶ American type compatible top tool clamping system
- ▶ Sheet Follower CNC controlled AP3+AP4 axis front support arms by servo Motorized
- ▶ Laser Angle Management System
- ▶ T slot on Table
- ▶ Heat Exchanger (Oil Cooler)
- ▶ Special Color
- ▶ Extra back gauge fingers
- ▶ Extra front support arms
- ▶ Extra Control panel foot pedal
- ▶ ROL1 or ROL2- ROL4 top tool clamping systems
- ▶ Special stroke, Special throat
- ▶ 220-240V 60hz operating voltage
- ▶ 440-480V 60hz operating voltage
- ▶ 220-240V 60Hz and 440V-480V 60 Hz double operating voltage (by preliminary preparation)

▶ Safety



▶ DFS Laser Optional

▶ Manual Akas Laser Optional

▶ Motorized Akas Laser Optional

▶ LaserSafe Optional

▶ Light Barrier (Tandem) Optional

▶ Other Equipments



▶ Bottom and Top Tools Standard

▶ WILA Tool Clamping System Optional

▶ Sliding Front Support Arms Standard

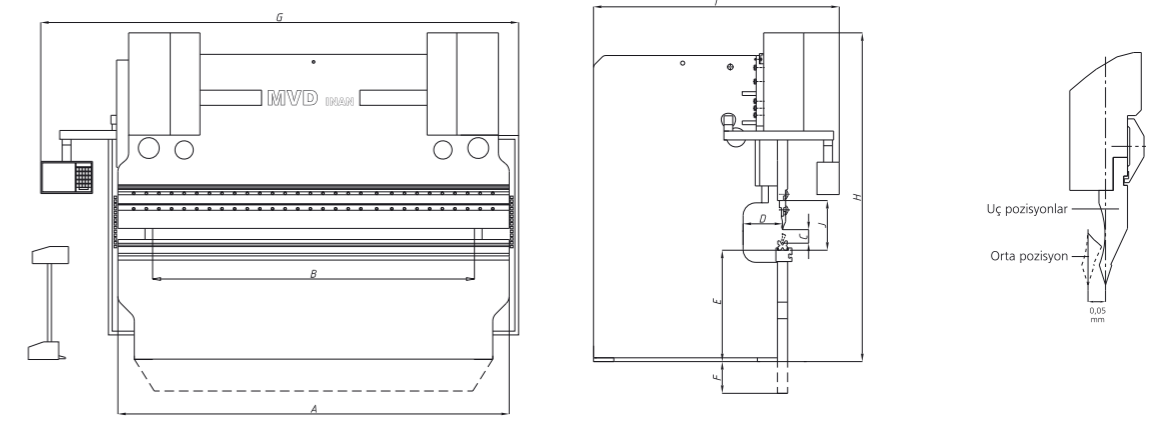
▶ Laser Angle Management System Optional

▶ ROL 2-ROL 4 Hydraulic Clamping Optional

▶ Special Throat Optional

iBend C Series

Technical Features



Technical Table

iBend C Series	Bending Power Force	Bending length	Distance Between Columns	Stroke	Daylight	Throat	Table Height	Table Height Below Ground	Backgauge Speed			Backgauge Stroke	Length	Height	Width	Crowning		Rapid Approach Speed		Pressing Speed	Return Speed		Hydraulic tank	Main motor	Weight			
	ton.	A	B	C	J	D	E	F	X Axis	X-R Axis		X Axis	G	H	L	Manual	Motorized	Standart	Optional	mm/sec	Standart	Optional	Lt	Kw.	kg			
		mm.	mm.	mm.	mm.	mm.	mm.	mm.	X Axis Speed	X Axis Speed	R Axis Speed	mm.	mm.	mm.	mm/sec											mm/sec	mm/sec	mm/sec
									(mm/s)	(mm/s)	(mm/s)																	
C40-1250	40	1250	1100	310	515	500	870	xx	500	500	300	750	2750	2500	2200	-	-	120	180	10	100	150	95	4	3450			
C60-2100	60	2100	1600	310	515	500	880	xx	500	500	300	750	3600	2500	2300	-	-	120	180	11	120	180	110	4	5250			
C60-2600	60	2600	2150	310	515	500	880	xx	500	500	300	750	4150	2500	2350	Standart	Optional	120	180	11	120	180	110	5,5	5700			
C100-2600	100	2600	2150	310	515	500	880	xx	500	500	300	750	4150	2530	2350	Standart	Optional	120	180	11	120	180	110	7,5	6250			
C100-3100	100	3100	2600	310	515	500	900	xx	500	500	300	750	4750	2550	2400	Standart	Optional	120	180	11	120	180	180	7,5	6800			
C135-3100	135	3100	2600	310	515	500	920	xx	500	500	300	750	4750	2600	2700	Standart	Optional	120	180	11	120	180	180	11	8050			
C175-3100	175	3100	2600	310	515	500	920	xx	500	500	300	750	4750	2700	2875	Standart	Optional	120	180	11	120	180	180	15	9150			
C220-3100	220	3100	2600	310	515	500	930	xx	500	500	300	750	4800	2830	2900	Standart	Optional	110	160	11	120	180	290	18,5	11200			
C270-3100	270	3100	2600	310	515	500	950	xx	500	500	300	750	4850	2950	3000	Standart	Optional	100	150	11	120	170	290	22	13450			
C320-3100	320	3100	2600	310	515	500	970	xx	500	500	300	750	4850	3000	3050	Standart	Optional	100	140	11	120	170	290	22	14600			
C135-3700	135	3700	3200	310	515	500	930	xx	500	500	300	750	5450	2700	2700	Standart	Optional	120	180	11	120	180	180	11	8950			
C175-3700	175	3700	3200	310	515	500	940	xx	500	500	300	750	5450	2900	2875	Standart	Optional	120	180	11	120	180	180	15	10250			
C220-3700	220	3700	3200	310	515	500	940	xx	500	500	300	750	5450	3000	2900	Standart	Optional	110	160	11	120	180	290	18,5	12400			
C320-3700	320	3700	3200	310	515	500	970	xx	500	500	300	750	5450	3100	3100	Standart	Optional	100	140	11	120	170	290	22	15500			
C135-4100	135	4100	3200	310	515	500	930	xx	500	500	300	750	5850	2700	2700	Standart	Optional	120	180	11	120	180	180	11	9950			
C175-4100	175	4100	3200	310	515	500	940	xx	500	500	300	750	5850	2900	2875	Standart	Optional	120	180	11	120	180	180	15	11400			
C220-4100	220	4100	3200	310	515	500	940	xx	500	500	300	750	5850	3000	2900	Standart	Optional	110	160	11	120	180	290	18,5	13350			
C270-4100	270	4100	3200	310	515	500	950	xx	500	500	300	750	5850	3100	3000	Standart	Optional	100	150	11	120	170	290	22	15050			
C320-4100	320	4100	3200	310	515	500	970	xx	500	500	300	750	5850	3150	3050	Standart	Optional	100	140	11	120	170	290	22	16700			
C400-4100	400	4100	3200	310	550	500	1250	xx	500	500	300	750	5850	3200	3250	-	Standart	90	120	10	90	130	370	30	20800			
C500-4100	500	4100	3200	310	550	500	850	685	500	500	300	750	5850	3250	3250	-	Standart	80	100	10	80	120	550	45	26100			
C220-4300	220	4300	3700	310	515	500	950	XX	500	500	300	750	6000	3100	2950	Standart	Optional	110	160	11	120	180	290	18,5	14450			
C270-4300	270	4300	3700	310	515	500	950	XX	500	500	300	750	6000	3150	3050	Standart	Optional	100	150	11	120	170	290	22	15950			
C320-4300	320	4300	3700	310	515	500	970	XX	500	500	300	750	6000	3250	3100	Standart	Optional	100	140	11	120	170	290	22	17550			
C220-5100	220	5100	4200	310	515	500	970	XX	500	500	300	750	6900	3200	3000	Standart	Optional	110	160	11	120	160	290	18,5	18300			
C270-5100	270	5100	4200	310	515	500	970	XX	500	500	300	750	6900	3250	3100	Standart	Optional	110	150	11	120	150	290	22	20800			
C320-5100	320	5100	4200	310	515	500	1000	XX	500	500	300	750	6900	3300	3100	Standart	Optional	100	140	11	120	150	290	22	23200			
C400-5100	400	5100	4200	310	550	500	1050	XX	500	500	300	750	6900	3400	3150	-	Standart	90	120	10	90	110	410	30	26000			
C220-6100	220	6100	5100	310	515	500	1050	xx	500	500	300	750	8000	3100	3000	Standart	Optional	110	160	11	120	150	400	18,5	24500			
C320-6100	320	6100	5100	310	515	500	1100	xx	500	500	300	750	8000	3150	3100	-	Standart	100	140	11	120	140	400	22	29450			
C400-6100	400	6100	5100	310	550	500	1150	xx	500	500	300	750	8050	3650	3200	-	Standart	90	120	10	90	110	400	30	34500			
C500-6100	500	6100	5100	310	550	500	900	1450	500	500	300	750	8100	3950	3200	-	Standart	80	100	10	80	100	550	37	40000			
C600-6100	600	6100	5100	360	600	600	900	1500	500	500	300	750	8150	4300	3300	-	Standart	75	-	10	90	-	550	45	46000			
C800-6100	800	6100	5100	410	650	600	900	1550	500	500	300	750	8200	4500	3500	-	Standart	70	-	9	90	-	640	55	58000			
C1000-6100	1000	6100	5100	510	750	600	900	1700	500	500	300	750	8250	4750	3700	-	Standart	65	-	8	90	-	1000	55	72000			

Technical specifications are subject to change without notice.

Special capacity machines can be manufactured upon request.