

iShear A Series

MECHANICAL GUILLOTINE SHEAR



General Features

- ▶ A SERIES Guillotine Shears, suitable for cutting thin sheet material, up to thickness of 4 mm
- ▶ Machine body and upper beam is made of steel constructions, has been designed according minimum stretch and optimum resistance criteria
- ▶ Body, as the manufacture of precise CNC machining center for provide maximum cutting quality and accuracy.

Standard Equipments

- ▶ Welded one piece steel frame using rigid structural steel
- ▶ Rigid welded monoblock frame provide Maximum cutting accuracy,
- ▶ Digital NC control unit
- ▶ Automatic, Digital controlled motorized back gauge 750mm range (stroke)
- ▶ Schneider-Telemecanique electrical components, with ventilations electrical cabinet
- ▶ 4 Cutting edges blade produced from high alloy steel
- ▶ Mechanical sheet hold down system holds the sheet in place during the cutting process.
- ▶ Simple and Easy operable Blade Gap adjustment system
- ▶ Roller bearings on the table to help feeding sheets to the machine easily
- ▶ Front Support Arms with scale
- ▶ Foot pedal stand and control unit for Single or Multi cutting operations
- ▶ Rear light beams with CE conformity
- ▶ Emergency stop button
- ▶ Back side protections cover
- ▶ Shadow, illuminations cutting line
- ▶ Complete electrical switch board and control panel for 400V AC 3 Phase 50Hz

Optional Equipments

- ▶ Touch Screen CNC controller
- ▶ Pneumatic sheet support system and sheet sliding
- ▶ Adjustable Angular gauge sliding T slot (0-180 degree) on front
- ▶ Longer Front Support Arms

▶ Controller



▶ Elgo P9521 NC
Standard



▶ Cybelec Touch 6
Optional



▶ Elgo P40
Optional

▶ Equipments



▶ Pneumatic Sheet Support System
Optional



▶ Adjustable Angular Gauge
Optional



▶ Roller Bearing Top Table



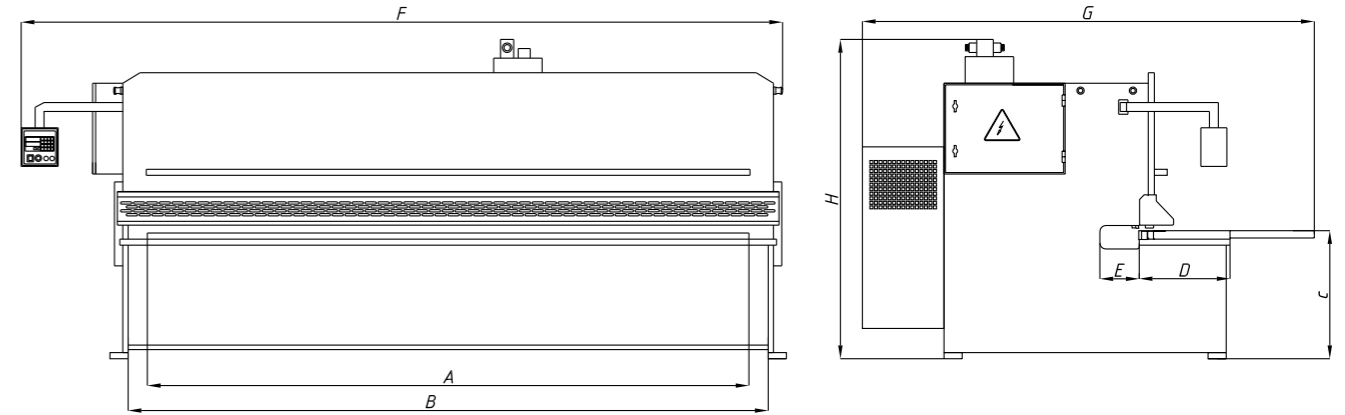
▶ Electrical Cabinet



▶ Rear Protection Light Beams



▶ Back Gauge



▶ Technical Table

iShear A Series		A04-2000	A04-2600	
Cutting capacity	450N/mm ²	4	4	mm.
Cutting length	A	2100	2600	mm.
Cutting Angle		1,7	1,7	degree
Speed Stroke per Minute		42	34	1/min
Table Height	C	850	850	mm.
Machine Length	F	2500	3100	mm.
Machine Height	H	1350	1350	mm.
Machine Width	G	2250	2250	mm.
Motor Power		7,5	7,5	Kw.
Weight		2500	2900	Kg
Technical specifications are subject to change without notice Special capacity machines can be manufactured upon request				