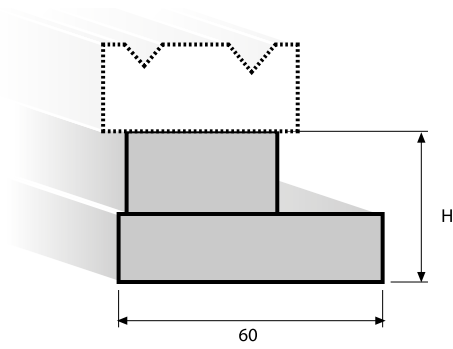


SUPPORTI MATRICI LOWER TOOL HOLDERS

4006

24H

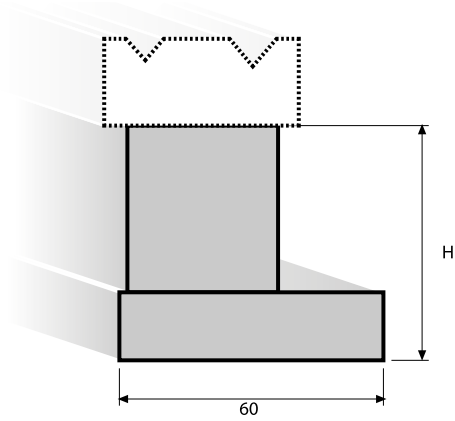
(830 mm)	H= 34 mm
(412 mm)	H= 39 mm
SOLID 100 T/m	★



4007

24H

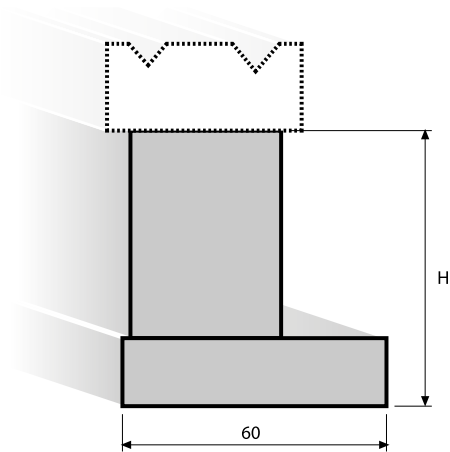
(830 mm)	H= 45 mm
(412 mm)	H= 55 mm
SOLID 100 T/m	★



4008

24H

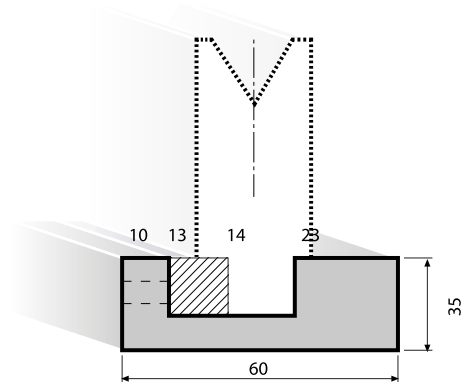
(830 mm) (412 mm)	
H= 75 mm	
SOLID 100 T/m	★



4015

24H

(835 mm)	
SOLID 100 T/m	★



SUPPORTI MATRICI LOWER TOOL HOLDERS

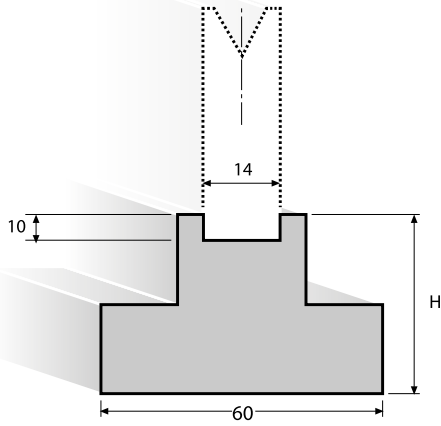
4017

24H

(1050 mm)

H= 31 mm H= 61,5 mm

SOLID 100 T/m

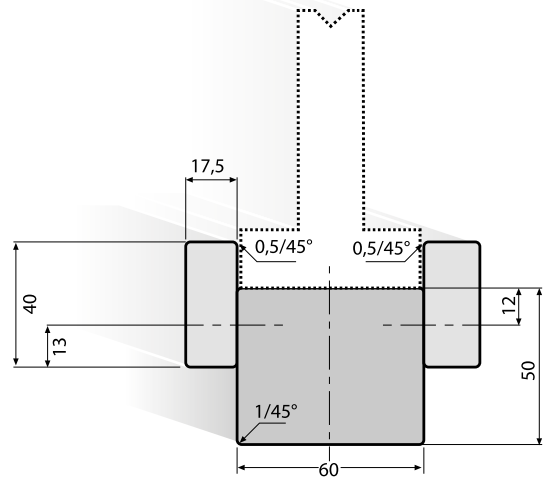


4018

24H

(835 mm)

SOLID 100 T/m

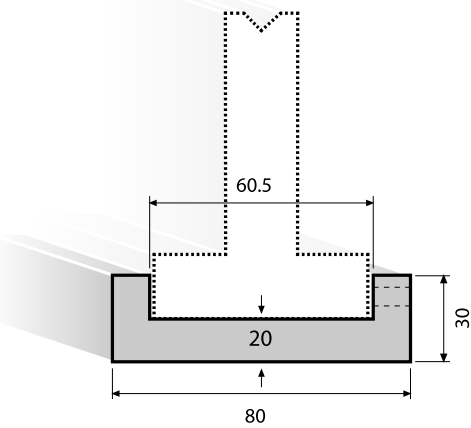


4016

24H

(1050 mm)

SOLID 100 T/m

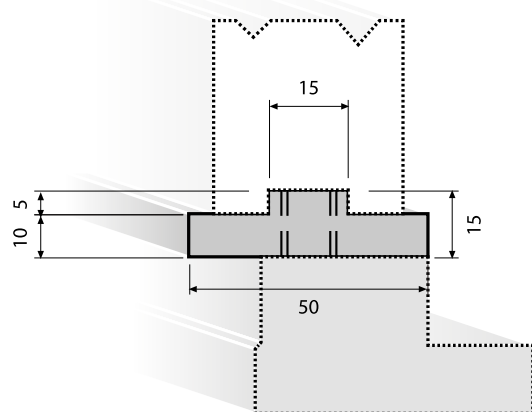


4010

24H

(835 mm)

SOLID 100 T/m



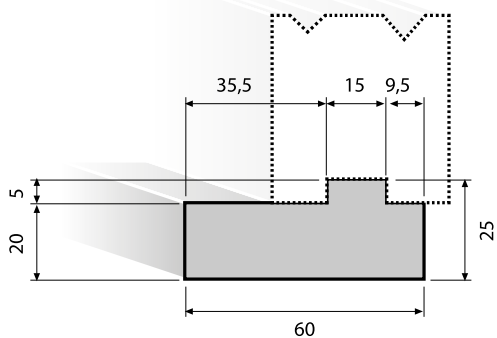
SUPPORTI MATRICI LOWER TOOL HOLDERS

4011

24h

(835 mm)

SOLID 100 T/m

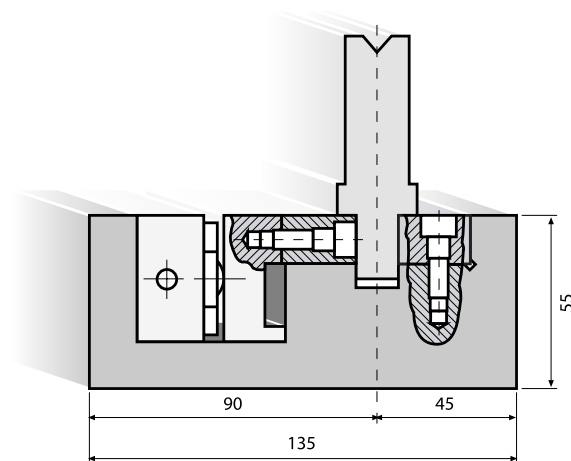


4014

6w

HYDRAULIC DIE OLDER

(TRUMPF, LVD, HACO, BEYELER,
AMERICAN, ETC.)



4014 / A

6w

HYDRAULIC DIE HOLDER (AMADA)

