

**2300 / T / 86° / V / H**

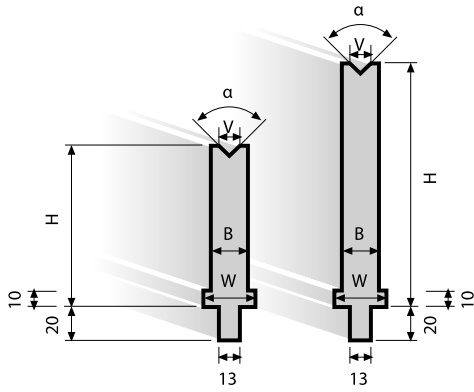


NOW

**6w**

AT SOONEST

**24H**



V	α	H (mm)	W (mm)	B (mm)	T / MT
6	86°	100	20	20	40
		100	20	10	24
		150	25	20	40
8	86°	100	20	20	40
		100	20	12	35
		150	25	20	40
10	86°	100	20	20	50
		100	20	14	38
		150	25	20	50
12	86°	100	25	25	50
		100	25	16	40
		150	25	25	50
16	86°	100	30	30	70
		150	30	30	70
		150	30	30	70
20	86°	100	30	30	70
		150	30	30	70
		150	30	30	70
24	86°	100	35	35	70
		150	35	35	70
		150	35	35	70
30	86°	100	45	45	75
		150	45	45	75
		150	45	45	75
40	86°	100	55	55	120
		150	55	55	120
		150	55	55	120
50	86°	100	75	75	150
		150	75	75	150
		150	75	75	150

**2300 / T / 30° / V / H**

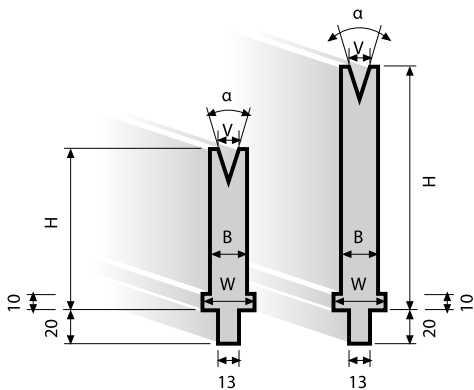


NOW

**6w**

AT SOONEST

**24H**



V	α	H (mm)	W (mm)	B (mm)	T / MT
6	30°	100	20	20	40
		100	20	12	17
		150	25	20	40
8	30°	100	20	20	40
		100	20	14	17
		150	25	20	40
10	30°	100	20	20	40
		100	20	16	20
		150	25	20	40
12	30°	100	25	25	40
		100	25	18	20
		150	25	25	40
16	30°	100	30	30	50
		150	30	30	50
		150	30	30	50
20	30°	100	35	35	60
		150	35	35	60
		150	35	35	60
24	30°	100	40	40	65
		150	40	40	65
		150	40	40	65

2300 / T / 80° / V / H

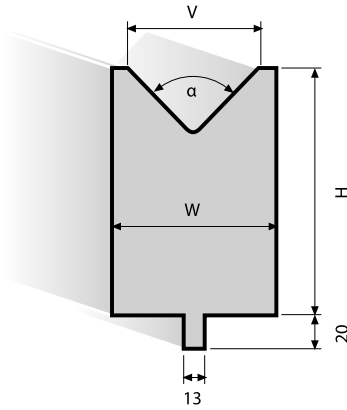


NOW

6w

AT SOONEST

24h



V	$\alpha$	H (mm)	W (mm)	T / MT
60	80°	100	75	150
70	80°	100	85	150
80	80°	100	100	150
90	80°	120	110	150
100	80°	120	120	150

2300 / T

U= 8 mm

U= 10 mm

U= 12 mm

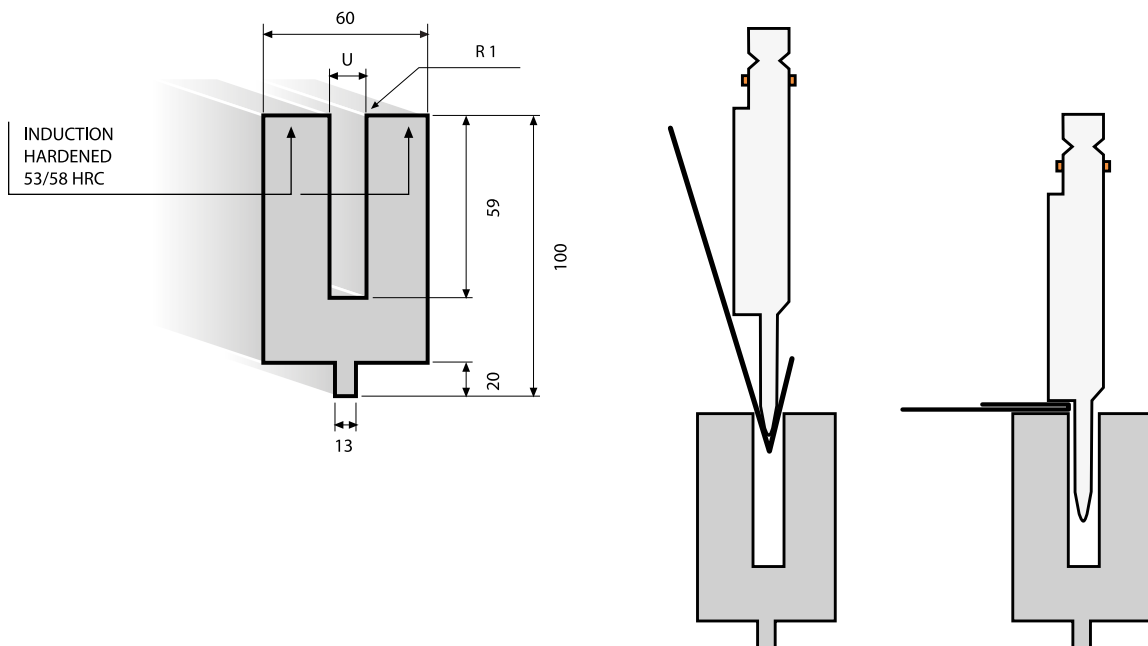


NOW

6w

AT SOONEST

24h



**Frazionatura standard per 1050 mm - Standard sectioning for 1050 mm  
Standard Sektionierung für 1050 mm - Fractionnement standard pour 1050 mm**

