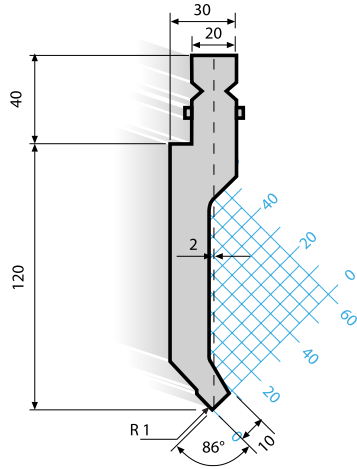


1310 / T / 86° / R1

SOLID 100 T/m ★★



NOW

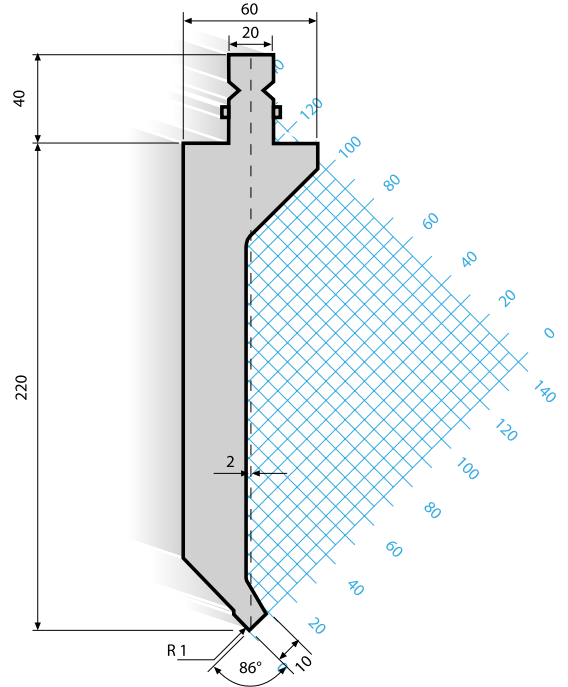
6w

AT SOONEST

24h

1311 / T / 86° / R1

SOLID 100 T/m ★★



NOW

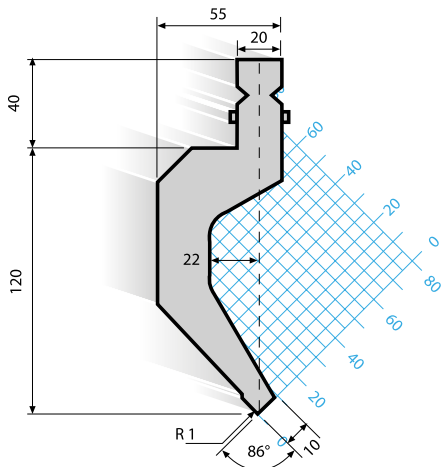
6w

AT SOONEST

24h

1312 / T / 86° / R1

SOLID 100 T/m ★★



NOW

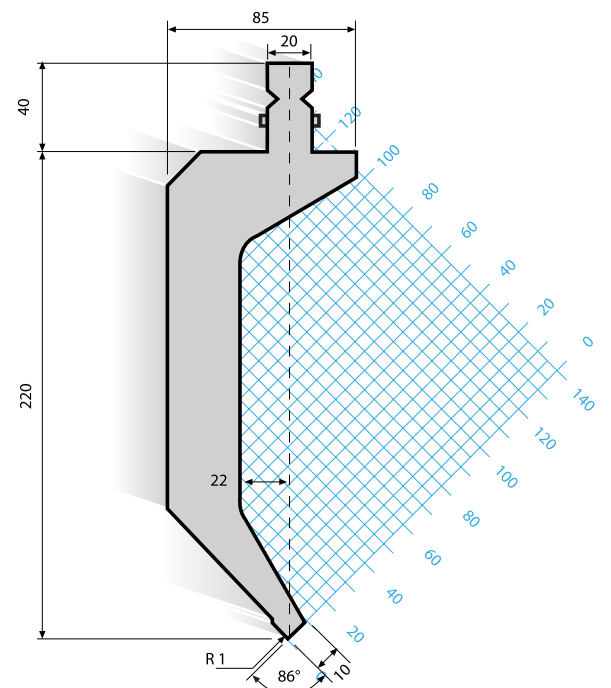
6w

AT SOONEST

24h

1313 / T / 86° / R1

SOLID 100 T/m ★★



NOW

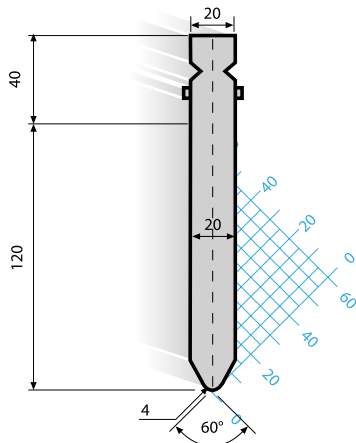
6w

AT SOONEST

24h

1315 / T / 60° / R4

SOLID 130 T/m ★★



NOW

6w

AT SOONEST

24h

1316 / T / 60° / R4

SOLID 130 T/m

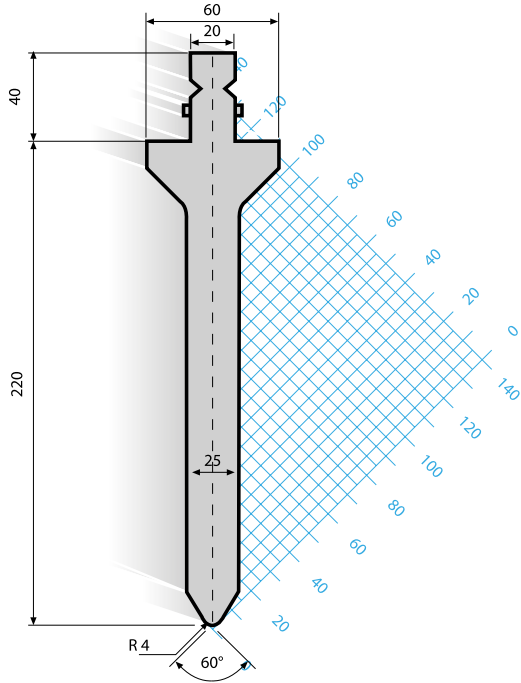


NOW

6w

AT SOONEST

24H



1317 / T / 26° / R1

SOLID 100 T/m

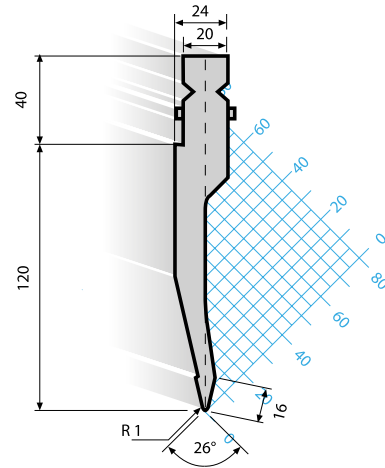


NOW

6w

AT SOONEST

24H



1318 / T / 26° / R1

SOLID 100 T/m

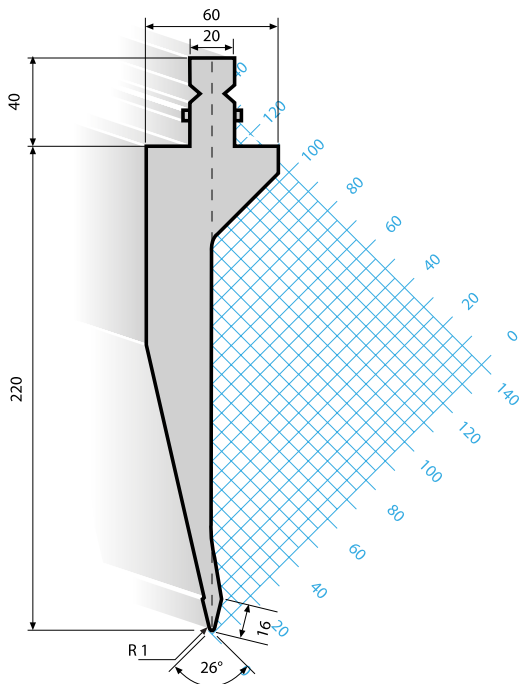


NOW

6w

AT SOONEST

24H



1333 / T / 28° / R0.6

B= 8 mm

B= 10 mm

B= 12 mm

SOLID 70 T/m



NOW

6w

AT SOONEST

24H

