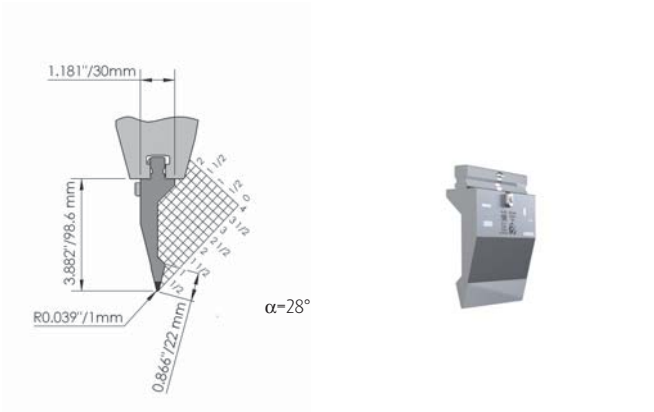
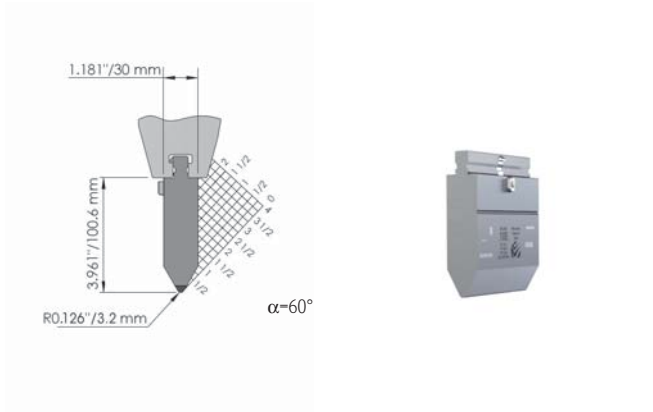


BIU-805



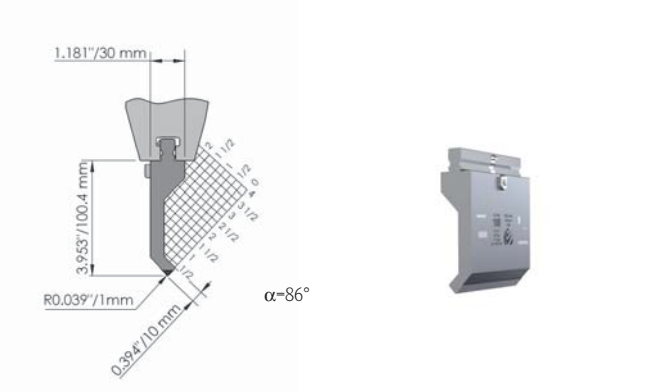
Type	Length	Weight		Max load
		kg	lbs	
BIU-805/1	515 mm	6.5	14.4	100 t/m 34 t/ft
BIU-805/2*	550 mm - sectioned	7.0	15.4	
BIU-805/3*	200 mm - sectioned	2.5	5.6	
BIU-805/6	200 mm	2.5	5.6	

BIU-808



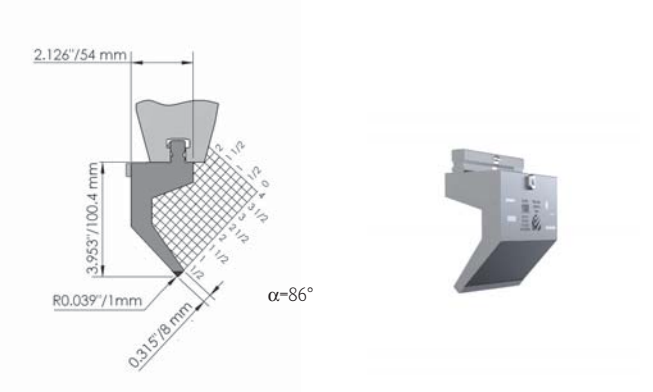
Type	Length	Weight		Max load
		kg	lbs	
BIU-808/1	515 mm	9.6	21.2	160 t/m 54 t/ft
BIU-808/2*	550 mm - sectioned	10.3	22.7	
BIU-808/3*	200 mm - sectioned	3.7	8.2	
BIU-808/6	200 mm	3.7	8.2	

BIU-806



Type	Length	Weight		Max load
		kg	lbs	
BIU-806/1	515 mm	8.3	18.4	100 t/m 34 t/ft
BIU-806/2*	550 mm - sectioned	8.9	19.6	
BIU-806/3*	200 mm - sectioned	3.2	7.1	
BIU-806/6	200 mm	3.2	7.1	

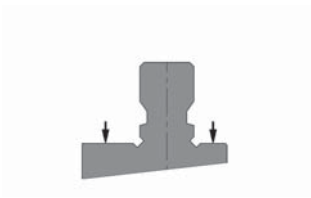
BIU-807



Type	Length	Weight		Max load
		kg	lbs	
BIU-807/1	515 mm	11.4	25.2	65 t/m 22 t/ft
BIU-807/2*	550 mm - sectioned	12.2	26.9	
BIU-807/3*	200 mm - sectioned	4.4	9.8	
BIU-807/6	200 mm	4.4	9.8	

* Individual tool sections also available.

ADAPTION



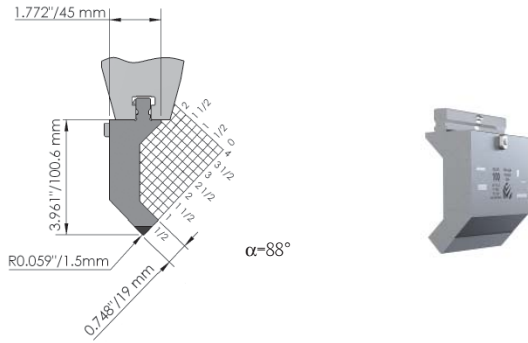
AS II shoulder load

SAFETY-CLICK®



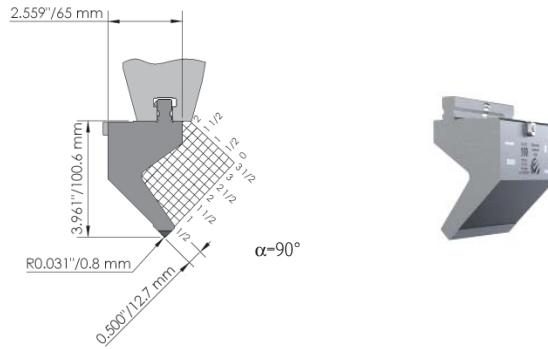
The Safety-Click® is WILA's patented safety mechanism which has been integrated into top tools with a weight up to 12.5 kg/28 lbs. This revolutionary mechanism allows tools to be changed vertically by simply clicking them in and out of the Clamping.

BIU-803



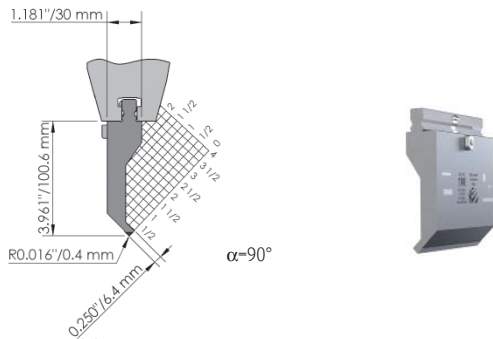
Type	Length	Weight		Max load
		kg	lbs	
BIU-803/1	515 mm	12.4	27.3	160 t/m 54 t/ft
BIU-803/2*	550 mm - sectioned	13.3	29.2	
BIU-803/3*	200 mm - sectioned	4.8	10.6	
BIU-803/6	200 mm	4.8	10.6	

BIU-804



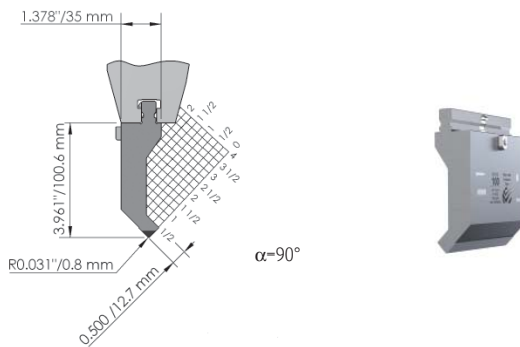
Type	Length	Weight		Max load
		kg	lbs	
BIU-804/1**	515 mm	15.9	34.9	100 t/m 34 t/ft
BIU-804/2*	550 mm - sectioned	16.9	37.3	
BIU-804/3*	200 mm - sectioned	6.2	13.6	
BIU-804/6	200 mm	6.2	13.6	

BIU-801



Type	Length	Weight		Max load
		kg	lbs	
BIU-801/1	515 mm	8.5	18.8	45 t/m 15 t/ft
BIU-801/2*	550 mm - sectioned	9.1	20.1	
BIU-801/3*	200 mm - sectioned	3.3	7.3	
BIU-801/6	200 mm	3.3	7.3	

BIU-802

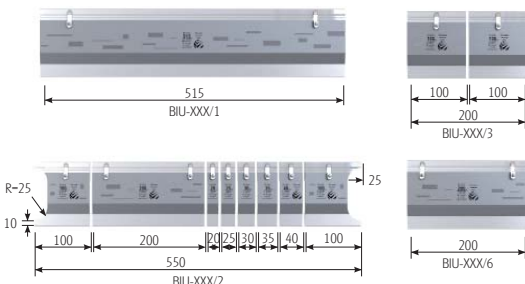


Type	Length	Weight		Max load
		kg	lbs	
BIU-802/1	515 mm	10.5	23.1	100 t/m 34 t/ft
BIU-802/2*	550 mm - sectioned	11.2	24.7	
BIU-802/3*	200 mm - sectioned	4.1	9.0	
BIU-802/6	200 mm	4.1	9.0	

* Individual tool sections also available. ** Provided with fixed Safety-Pins (see page 36).

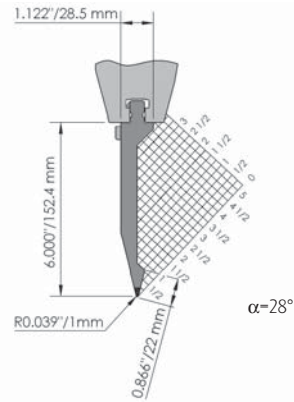
SEGMENTED TOOLING PROVIDES COMPLETE FLEXIBILITY

Create any desired tooling length from 20 mm/0.787" to machine length in 5 mm/0.197" increments by combining tool segments.



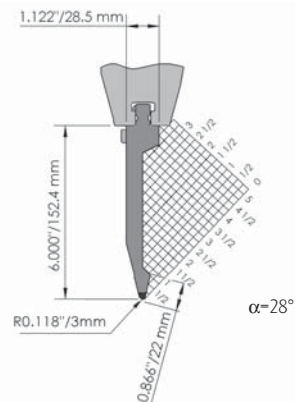
Examples of tool segments combined for various machine lengths			
550 mm/ 21.654" segmented set	200 mm 7.874"	515 mm 20.276"	Total length
1	1	1	1265 mm/49.8"
1	1	2	1780 mm/70.1"
1	2	3	2495 mm/98.2"
1		5	3125 mm/123"
1		6	3640 mm/143.3"
1	1	7	4355 mm/171.5"

BIU-815



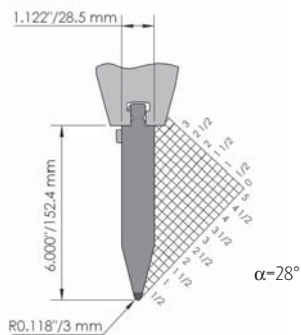
Type	Length	Weight		Max load
		kg	lbs	
BIU-815/1	515 mm	9.6	21.2	100 t/m 34 t/ft
BIU-815/2*	550 mm - sectioned	10.3	22.7	
BIU-815/3*	200 mm - sectioned	3.7	8.2	
BIU-815/6	200 mm	3.7	8.2	

BIU-830



Type	Length	Weight		Max load
		kg	lbs	
BIU-830/1	515 mm	10.0	22.0	100 t/m 34 t/ft
BIU-830/2*	550 mm - sectioned	10.7	23.6	
BIU-830/3*	200 mm - sectioned	3.9	8.6	
BIU-830/6	200 mm	3.9	8.6	

BIU-828



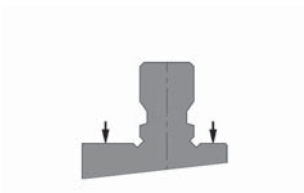
Type	Length	Weight		Max load
		kg	lbs	
BIU-828/1**	515 mm	16.3	36.0	160 t/m 54 t/ft
BIU-828/2*	550 mm - sectioned	17.4	38.4	
BIU-828/3*	200 mm - sectioned	6.3	14.0	
BIU-828/6	200 mm	6.3	14.0	

* Individual tool sections also available. ** Provided with fixed Safety-Pins (see page 36).

TOOLING

AMERICAN STYLE

ADAPTION



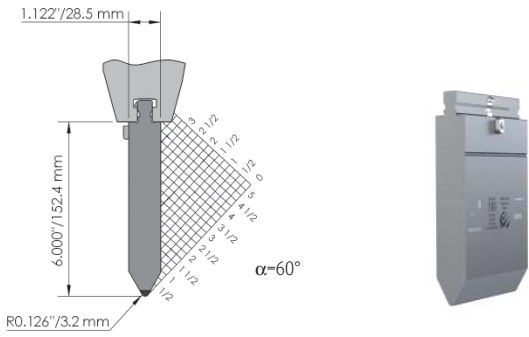
AS I shoulder load

CNC-DEEPHARDENING®

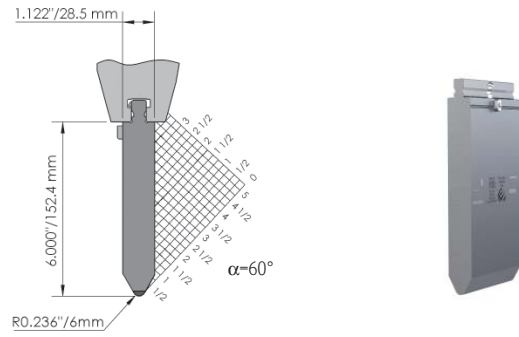


All press brake tools produced by WILA are CNC-DeePhardened®. The same applies to WILA's New Standard Premium Tool Holders. This makes them extremely robust and durable. Our New Standard Premium and American Style top and bottom tools are hardened as shown here.

BIU-818



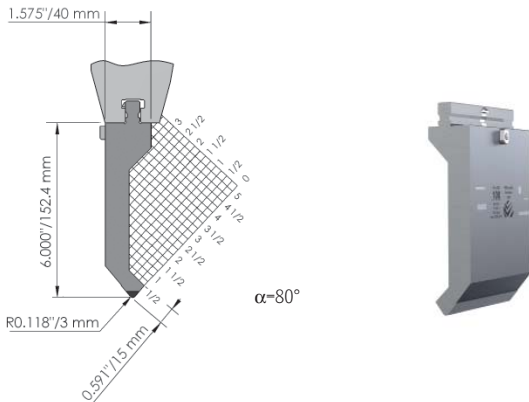
BIU-831



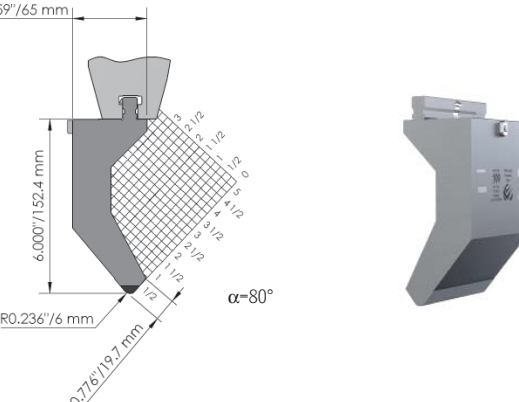
Type	Length	Weight		Max load
		kg	lbs	
BIU-818/1**	515 mm	15.6	34.4	160 t/m 54 t/ft
BIU-818/2*	550 mm - sectioned	16.7	36.7	
BIU-818/3*	200 mm - sectioned	6.1	13.3	
BIU-818/6	200 mm	6.1	13.3	

Type	Length	Weight		Max load
		kg	lbs	
BIU-831/1**	515 mm	17.6	38.8	160 t/m 54 t/ft
BIU-831/2*	550 mm - sectioned	18.8	41.4	
BIU-831/3*	200 mm - sectioned	6.8	14.9	
BIU-831/6	200 mm	6.8	14.9	

BIU-826



BIU-825



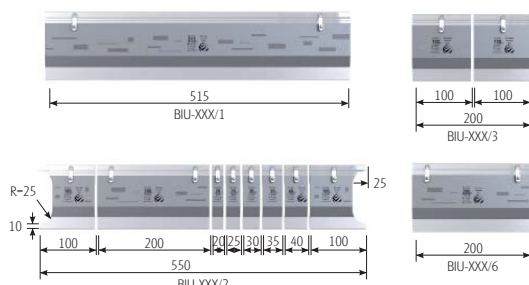
Type	Length	Weight		Max load
		kg	lbs	
BIU-826/1**	515 mm	15.2	33.6	120 t/m 40 t/ft
BIU-826/2*	550 mm - sectioned	16.3	35.9	
BIU-826/3*	200 mm - sectioned	5.9	13.0	
BIU-826/6	200 mm	5.9	13.0	

Type	Length	Weight		Max load
		kg	lbs	
BIU-825/1**	515 mm	23.7	52.2	130 t/m 44 t/ft
BIU-825/2*	550 mm - sectioned	25.3	55.7	
BIU-825/3*	200 mm - sectioned	9.2	20.3	
BIU-825/6	200 mm	9.2	20.3	

* Individual tool sections also available. ** Provided with fixed Safety-Pins (see page 36).

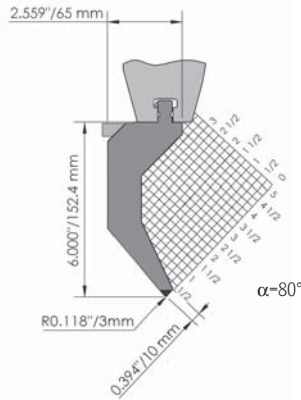
SEGMENTED TOOLING PROVIDES COMPLETE FLEXIBILITY

Create any desired tooling length from 20 mm/0.787" to machine length in 5 mm/0.197" increments by combining tool segments.

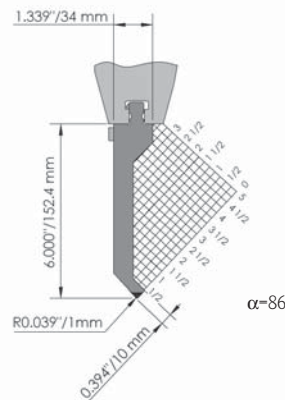


Examples of tool segments combined for various machine lengths			
550 mm/ 21.654" segmented set	200 mm 7.874"	515 mm 20.276"	Total length
1	1	1	1265 mm/49.8"
1	1	2	1780 mm/70.1"
1	2	3	2495 mm/98.2"
1		5	3125 mm/123"
1		6	3640 mm/143.3"
1	1	7	4355 mm/171.5"

BIU-832



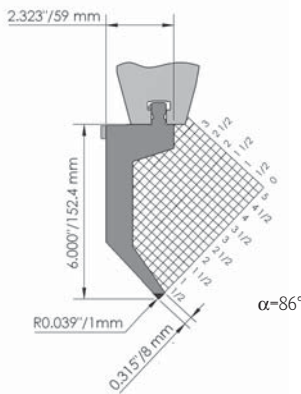
BIU-816



Type	Length	Weight		Max load
		kg	lbs	
BIU-832/1**	515 mm	27.1	59.7	90 t/m 30 t/ft
BIU-832/2*	550 mm - sectioned	28.9	63.7	
BIU-832/3*	200 mm - sectioned	10.5	23.2	
BIU-832/6	200 mm	10.5	23.2	

Type	Length	Weight		Max load
		kg	lbs	
BIU-816/1	515 mm	12.5	27.6	75 t/m 25 t/ft
BIU-816/2*	550 mm - sectioned	13.4	29.4	
BIU-816/3*	200 mm - sectioned	4.9	10.7	
BIU-816/6	200 mm	4.9	10.7	

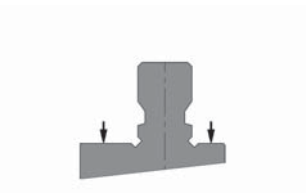
BIU-817



Type	Length	Weight		Max load
		kg	lbs	
BIU-817/1**	515 mm	17.5	38.6	80 t/m 27 t/ft
BIU-817/2*	550 mm - sectioned	18.7	41.2	
BIU-817/3*	200 mm - sectioned	6.8	15.0	
BIU-817/6	200 mm	6.8	15.0	

* Individual tool sections also available. ** Provided with fixed Safety-Pins (see page 36).

ADAPTION



AS I shoulder load

PRESS BRAKE PRODUCTIVITY WAX



Press Brake Productivity Wax is a spray that has been specially developed for cleaning, maintaining and protecting WILA tools.