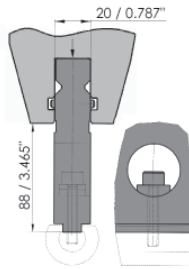


## TOOL EXTENDERS/TOOLING

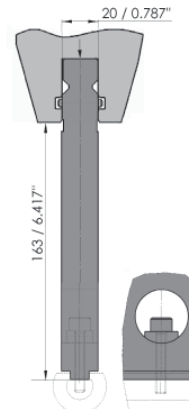
To complement its Clamping, Crowning, and Tooling lines, WILA offers an extensive extender program to provide additional versatility to the sheet metal fabricator. Be it Holders (HU) for radius, offset or non marking inserts or adapters (TSU) to be able to go between different tooling styles, or extenders for deep box bending, or bottom tool risers, WILA has the solution for you.

Also find additional information on the fact sheet on page 35.

**HU-004**



**HU-024**



Type	Length	Weight		Max load
		kg	lbs	
HU-004/1	515 mm	9.8	21.6	160 t/m 54 t/ft
HU-E2M-004/1	515 mm	9.8	21.6	

Holder suitable for various radius and flattening tools. Top provided with New Standard adaption, with Safety-Pins. Working height dependent on the radius tools to be used.

Type	Length	Weight		Max load
		kg	lbs	
HU-024/1	515 mm	15.1	33.4	160 t/m 54 t/ft
HU-E2M-024/1	515 mm	15.1	33.4	

Holder suitable for various radius and flattening tools. Top provided with New Standard adaption, with Safety-Pins. Working height dependent on the radius tools to be used.

**RU-001**

**RU-002**

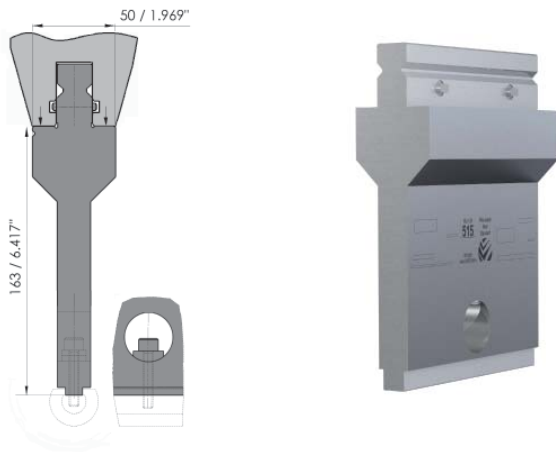
**RU-003**



Type	Length mm	R		H		Weight		Max load
		mm	inch	mm	inch	kg	lbs	
RU-001/R7/1	515	7	0.276	11.5	0.453	0.6	1.2	100 t/m 34 t/ft
RU-001/R7.5/1	515	7.5	0.295	11.5	0.453	0.6	1.4	
RU-001/R8/1	515	8	0.315	13	0.512	0.7	1.6	
RU-001/R9/1	515	9	0.354	16	0.630	1.0	2.2	
RU-001/R10/1	515	10	0.394	16	0.630	1.2	2.7	
RU-002/R12.5/1	515	12.5	0.492	16	0.630	1.6	3.5	100 t/m 34 t/ft
RU-002/R15/1	515	15	0.591	20	0.787	2.4	5.2	
RU-002/R17.5/1	515	17.5	0.689	22	0.866	3.2	7.0	
RU-002/R20/1	515	20	0.787	24	0.945	4.2	9.2	
RU-003/R25/1	515	25	0.984	29	1.142	6.1	13.5	100 t/m 34 t/ft
RU-003/R30/1	515	30	1.181	34	1.339	8.3	18.4	
RU-003/R40/1	515	40	1.575	45	1.772	12.9	28.5	
RU-003/R50/1	515	50	1.969	54	2.126	21.3	46.8	

Radius tools Non-hardened.  
Radius 7-50 mm/0.276-1.969" to be used in combination with holder type HU-004-024, 124, 804 and 814.

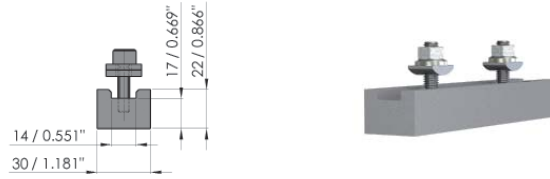
**HU-124**



Type	Length	Weight		Max load
		kg	lbs	
HU-124/1	515 mm	20.6	45.6	250 t/m 84 t/ft
HU-E2M-124/1	515 mm	20.6	45.6	

Holder suitable for various radius and flattening tools. Top provided with New Standard adaption, with Safety-Pins. Working height dependent on the radius tools to be used.

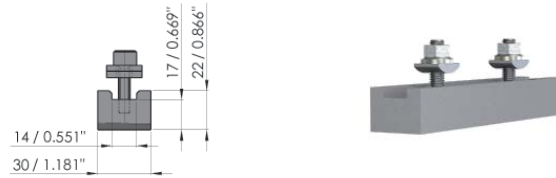
**RU-004**



Type	Length	Weight		Max load
		kg	lbs	
RU-004/1	515 mm	2.4	5.3	100 t/m 34 t/ft

Flattening tool to be used in combination with holder types HU-004-024-124, 804 and 814. Max. sheet thickness 2 mm/0.079". Non-hardened.

**RU-104**



Type	Length	Weight		Max load
		kg	lbs	
RU-104/1	515 mm	2.4	5.3	100 t/m 34 t/ft

Flattening tool to be used in combination with holder types HU-004-024-124, 804 and 814. Max. sheet thickness 2 mm/0.079". CNC-Deepharden®.

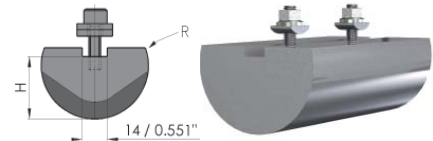
**RU-101**



**RU-102**



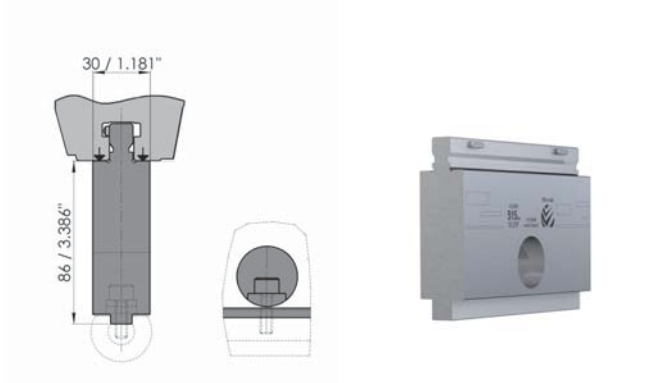
**RU-103**



Type	Length mm	R		H		Weight		Max load
		mm	inch	mm	inch	kg	lbs	
RU-101/R7/1	515	7	0.276	11.5	0.453	0.6	1.2	175 t/m 59 t/ft
RU-101/R7.5/1	515	7.5	0.295	11.5	0.453	0.6	1.4	
RU-101/R8/1	515	8	0.315	13	0.512	0.7	1.6	
RU-101/R9/1	515	9	0.354	16	0.630	1.0	2.2	
RU-101/R10/1	515	10	0.394	16	0.630	1.2	2.7	
RU-102/R12.5/1	515	12.5	0.492	16	0.630	1.6	3.5	225 t/m 76 t/ft
RU-102/R15/1	515	15	0.591	20	0.787	2.4	5.2	
RU-102/R17.5/1	515	17.5	0.689	22	0.866	3.2	7.0	
RU-102/R20/1	515	20	0.787	24	0.945	4.2	9.2	
RU-103/R25/1	515	25	0.984	29	1.142	6.1	13.5	250 t/m 84 t/ft
RU-103/R30/1	515	30	1.181	34	1.339	8.3	18.4	
RU-103/R40/1	515	40	1.575	45	1.772	12.9	28.5	
RU-103/R50/1	515	50	1.969	54	2.126	21.3	46.8	

Radius tools CNC-Deepharden®.  
Radius 7-50 mm/0.276-1.969" to be used in combination with holder type HU-004-024, 124, 804 and 814.

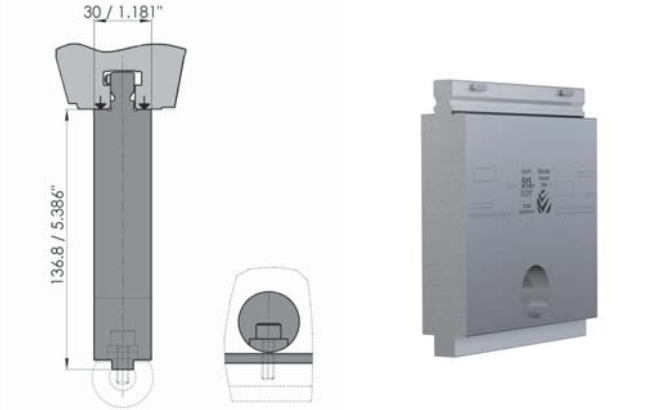
**HU-804**



Type	Length	Weight		Max load
		kg	lbs	
HU-804/1	515 mm	11.8	26.0	160 t/m 54 t/ft

Holder suitable for various radius and flattening tools. Top provided with American Style II adaption, with Safety-Pins. Working height dependent on the radius tools to be used. For RU Radius inserts to be used with HU-804 and HU-814 see page 106 and 107.

**HU-814**



Type	Length	Weight		Max load
		kg	lbs	
HU-814/1	515 mm	18.0	39.7	160 t/m 54 t/ft

Holder suitable for various radius and flattening tools. Top provided with American Style II adaption, with Safety-Pins. Working height dependent on the radius tools to be used. For RU Radius inserts to be used with HU-804 and HU-814 see page 106 and 107.

TOOL EXTENDERS  
TOOLING

AMERICAN STYLE

**ADAPTION**



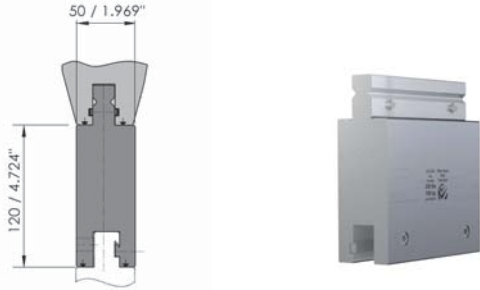
**AS II shoulder load**

**RADIUS TOOL HOLDER AND TOOLS**

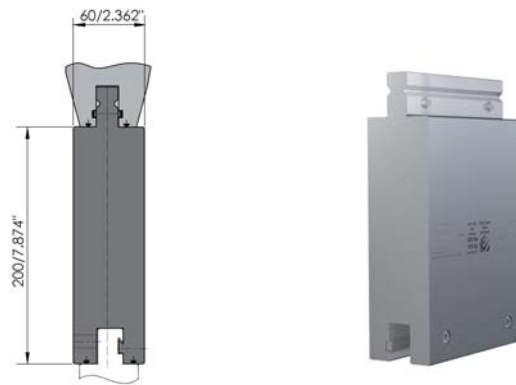


Radius Tool Holders (HU) and tools (RU) for a large range of common radii from 7 mm/0.276" to 50 mm/1.969" in both CNC-Deephardened® and non-hardened versions.

**HU-034**



**HU-134**



Type	Length	Weight		Max load
		kg	lbs	
HU-034/1	515 mm	25.2	55.6	300 t/m
HU-E2M-034/1	515 mm	25.2	55.6	102 t/ft

Holder for radius inserts RU-105 and RU-106 and RU with HU-107 adaption.  
Top with New Standard adaption with Safety-Pins or with E2M® adaption.

Type	Length	Weight		Max load
		kg	lbs	
HU-134/1	515 mm	49.7	109.6	500 t/m
HU-E2M-134/1	515 mm	49.7	109.6	170 t/ft

Holder for radius inserts RU-105 and RU-106 and RU with HU-107 adaption.  
Top with New Standard adaption with Safety-Pins or with E2M® adaption.

**RU-105**



$\alpha=60^\circ$

**RU-106**



$\alpha=60^\circ$

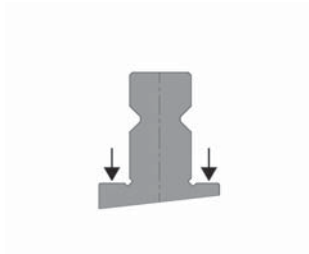
Type	Length	Weight		Max load
		kg	lbs	
RU-105/1	515 mm	9.2	20.3	160 t/m
				54 t/ft

Slide-on radius insert. To be used in combination with holder HU-034 or HU-134.

Type	Length	Weight		Max load
		kg	lbs	
RU-106/1	515 mm	10.2	22.5	255 t/m
				87 t/ft

Slide-on radius insert. To be used in combination with holder HU-034 or HU-134.

**ADAPTION**



**NS II shoulder load**

**E2M® SAFETY ROLLER BEARING**

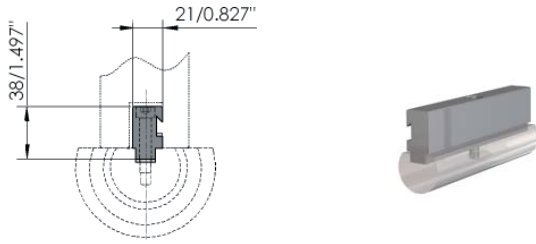


WILA's patented E2M® (Easy to Move) innovation uses E2M® roller bearings in tools to easily, safely and quickly move heavy tools (E2M® >12,5 kg /28 lbs - < 25kg/56 lbs / E2M®-HD > 25 kg/56 lbs - < 100kg/220 lbs.), thus significantly reducing setup time.

TOOL EXTENDERS  
TOOLING

NEW STANDARD® PRO

**HU-107**



Type	Length	Weight		Max load
		kg	lbs	
HU-107/1	515 mm	3.0	6.6	-

Adaption suitable for radius inserts RU-007 and RU-107 to use as slide-on radius in combination with HU-034 or HU-134.

**RU-007**



Type	Length mm	R mm	H mm	Weight		Max load t/m
				kg	lbs	
RU-007/R=25/1	515	25	39	6.1	13.4	200 t/m 68 t/ft
RU-007/R=30/1	515	30	44	8.3	18.3	
RU-007/R=40/1	515	40	54	12.7	27.9	
RU-007/R=50/1	515	50	64	21.3	46.9	

Radius inserts, not hardened. Radius 25-50 mm/0.984-1.969" to be used in combination with adaption type HU-107/1.

**RU-107**



Type	Length mm	R mm	H mm	Weight		Max load t/m
				kg	lbs	
RU-107/R=25/1	515	25	39	6.1	13.4	500 t/m 168 t/ft
RU-107/R=30/1	515	30	44	8.3	18.3	
RU-107/R=40/1	515	40	54	12.7	27.9	
RU-107/R=50/1	515	50	64	21.3	46.9	

Radius inserts, CNC-Deepphardened® Radius 25-50 mm/0.984-1.969" to be used in combination with adaption type HU-107/1.

**PRESS BRAKE PRODUCTIVITY WAX**



Press Brake Productivity Wax is a spray that has been specially developed for cleaning, maintaining and protecting WILA tools.

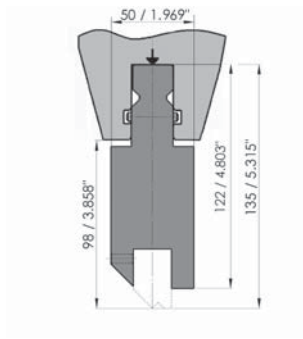
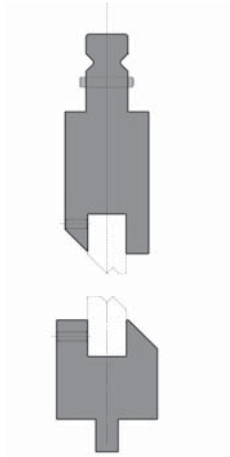
TOOL EXTENDERS TOOLING NEW STANDARD PRO

**TOOL HOLDERS**

**HU-001**

Holders suitable for use with various inserts for offset Z bends and for flattening, advantages:

- easy to use
- no more time-consuming tool alignment
- one Tool Holder can be used for multiple size inserts and applications



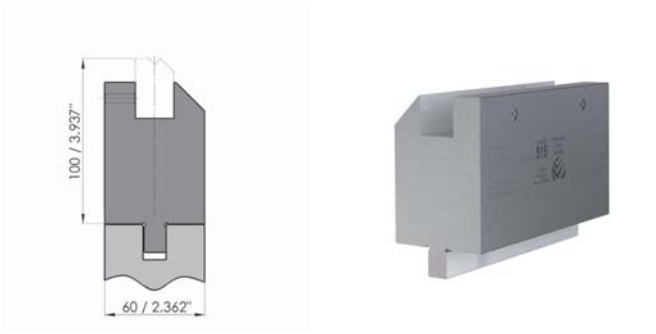
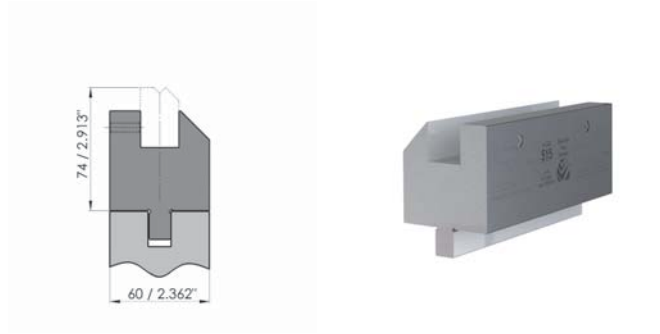
Type	Length	Weight		Max load
		kg	lbs	
HU-001/1	515 mm	17.5	38.6	100 t/m 34 t/ft

Top Holder, top provided with New Standard adaption and Safety-Pins.  
Bottom suitable for inserts type INZU. Working height 98 mm/3.858" incl. inserts.

HU-001 Top Holder can be used in combination with either HU-005 or HU-006 Bottom Holder.

**HU-005**

**HU-006**



Type	Length	Weight		Max load
		kg	lbs	
HU-005/1	515 mm	13.4	29.5	100 t/m 34 t/ft

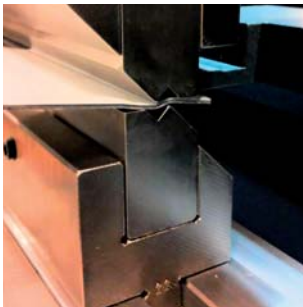
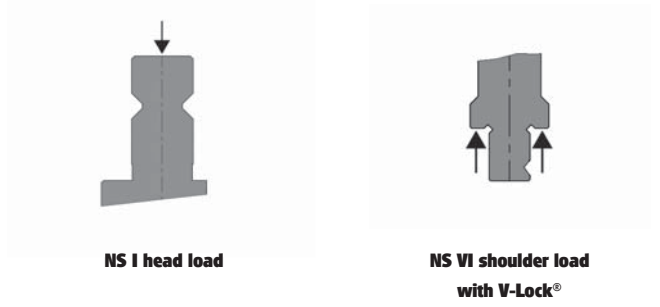
Bottom Holder, bottom provided with the OZU adaption, 13x20 mm (WxH).  
Top suitable for inserts type INZU. Working height 74 mm/2.913" incl. inserts.

Type	Length	Weight		Max load
		kg	lbs	
HU-006/1	515 mm	19.3	42.5	100 t/m 34 t/ft

Bottom Holder, bottom provided with the OZU adaption, 13x20 mm (WxH).  
Top suitable for inserts type INZU. Working height 100 mm/3.937" incl. inserts.

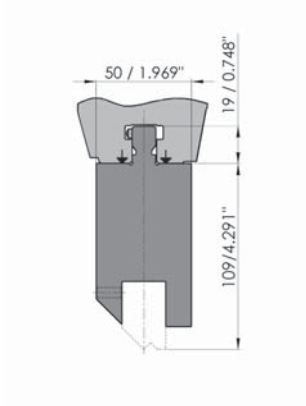
**ADAPTION**

**INSERT FOR OFFSET BENDING**



In addition to the range of top and bottom tools, WILA also offers a wide range of accessories. These include special inserts for making offset (Z bends, INZU-001 and INZU-002) or to flatten material (INZU-003). The INZU program also includes special plastic inserts for mark-free bending of sensitive materials (INZU-005 to INZU-007). These inserts can be used with holders type HU.

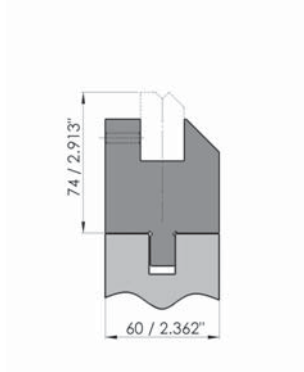
**HU-801**



Type	Length	Weight		Max load
		kg	lbs	
HU-801/1	515 mm	17.9	39.4	100 t/m 34 t/ft

Top Holder, top provided with American Style II adaption and Safety-Pins.  
Bottom suitable for inserts type INZU. Working height 109 mm/4.291" incl. inserts.

**HU-805**



Type	Length	Weight		Max load
		kg	lbs	
HU-805/1	515 mm	14.9	32.8	100 t/m 34 t/ft

Bottom Holder, bottom provided with the OZU adaption, 13x20 mm/0.512x0.787" (WxH).  
Top suitable for inserts type INZU. Working height 74 mm/2.362" incl. inserts.

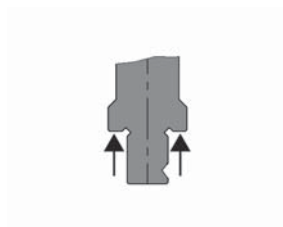
TOOL EXTENDERS  
TOOLING

AMERICAN STYLE

**ADAPTION**



AS II shoulder load



NS VI shoulder load  
with V-Lock®

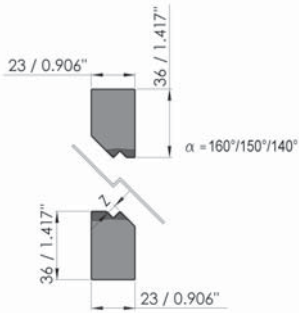
**V-LOCK®**



The V-Lock® improves the clamping and positioning of bottom tools. A groove in the tool tang allows specially designed clamping pins to automatically align and firmly clamp bottom tools in both X and Y directions.

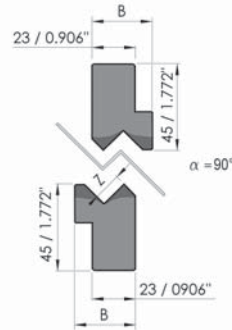
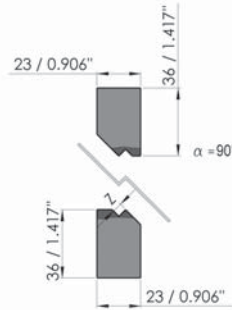


**INZU-001**

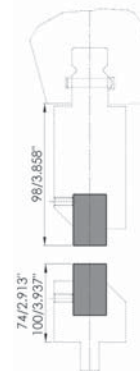
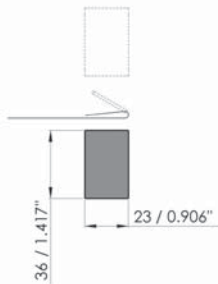


Z = 1 and 1.5	160°
Z = 2	150°
Z = 3	140°

**INZU-002**



**INZU-003**

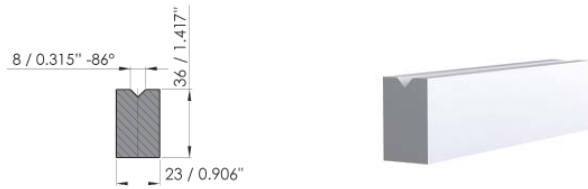


Type	Length mm	B		Z		Weight		Max load	
		mm	inch	mm	inch	kg	lbs		
INZU-001/Z1/1	515			1.0	0.039	6.7	14.9	100 t/m 34 t/ft	Set of inserts, top and bottom, for making offsets. Suitable for use in combination with holders HU-001, 005, 006, 801 and 805.
INZU-001/Z1.5/1	515			1.5	0.059	6.7	14.7		
INZU-001/Z2/1	515			2.0	0.079	6.6	14.6		
INZU-001/Z2.5/1	515			2.5	0.098	6.6	14.5		
INZU-002/Z3/1	515			3.0	0.118	6.3	14.0	100 t/m 34 t/ft (α-90°)	Set of inserts, top and bottom, for making offsets. Suitable for use in combination with holders HU-001, 005, 006, 801 and 805.
INZU-002/Z3.5/1	515			3.5	0.138	6.3	14.0		
INZU-002/Z4/1	515			4.0	0.157	6.3	14.0		
INZU-002/Z4.5/1	515			4.5	0.177	6.3	14.0		
INZU-002/Z5/1	515			5.0	0.197	6.3	14.0		
INZU-002/Z5.5/1	515			5.5	0.217	6.3	14.0		
INZU-002/Z6/1	515			6.0	0.236	6.3	14.0		
INZU-002/Z6.5/1	515			6.5	0.256	6.3	14.0		
INZU-002/Z7/1	515			7.0	0.276	6.3	13.8		
INZU-002/Z7.5/1	515			7.5	0.295	6.3	13.8		
INZU-002/Z8/1	515			8.0	0.315	6.2	13.8		
INZU-002/Z10/1	515	27	1.063	10.0	0.394	8.5	13.7		
INZU-002/Z13/1	515	32	1.260	13.0	0.512	8.3	18.7		
INZU-002/Z15/1	515	32	1.260	15.0	0.591	8.3	18.7		
INZU-003/1	515			-	-	6.8	15.0		

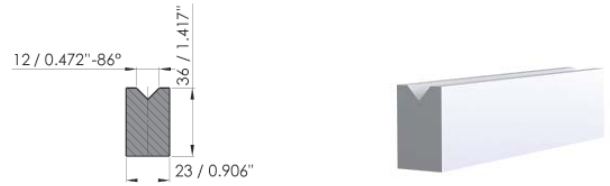
TOOL EXTENDERS  
TOOLING

NEW STANDARD PRO

**INZU-005**



**INZU-006**



Type	Length	Weight		Max load
		kg	lbs	
INZU-005/1	515 mm	0.5	1.1	20 t/m 6.7 t/ft

Synthetic inserts for bending material without marking.  
To be used in bottom holders type HU-005, 006 and 805 see page 111-112.  
Use dependent on material type, thickness, angles and radius size.

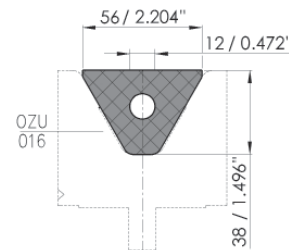
Type	Length	Weight		Max load
		kg	lbs	
INZU-006/1	515 mm	0.5	1.1	20 t/m 6.7 t/ft

Synthetic inserts for bending material without marking.  
To be used in bottom holders type HU-005, 006 and 805 see page 111-112.  
Use dependent on material type, thickness, angles and radius size.

**INZU-007**



**K-001/5**



Type	Length	Weight		Max load
		kg	lbs	
INZU-007/1	515 mm	0.5	1.0	20 t/m 6.7 t/ft

Synthetic inserts for bending material without marking.  
To be used in bottom holders type HU-005, 006 and 805 see page 111-112.  
Use dependent on material type, thickness, angles and radius size.

Type	Length	Weight		Max load
		kg	lbs	
K-001/5	ca 2100 mm	1.5	3.3	-

Adiprene inserts for bending material without marking. To be used in bottom tools type OZU-016 and OZU-327. Use dependent on material type, thickness, angles and radius size. Available in 85 Shore A and 95 Shore A.

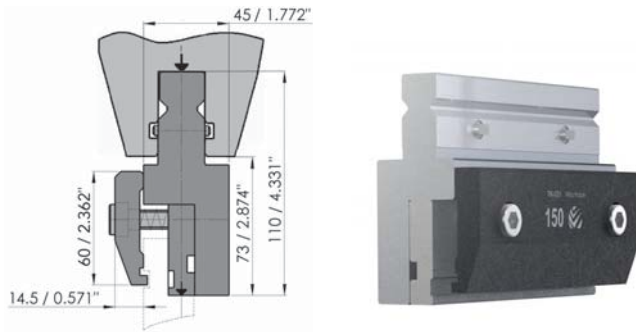
TOOL EXTENDERS  
TOOLING  
NEW STANDARD PRO

**TOOLADVISOR**



The ToolAdvisor offers clear advice about which tools will suit your needs. It also offers information about, for example, the required tonnage, the resulting inside radius, and the minimum flange length. The WILA ToolAdvisor can be downloaded as a free App from the App Store and Google Play.

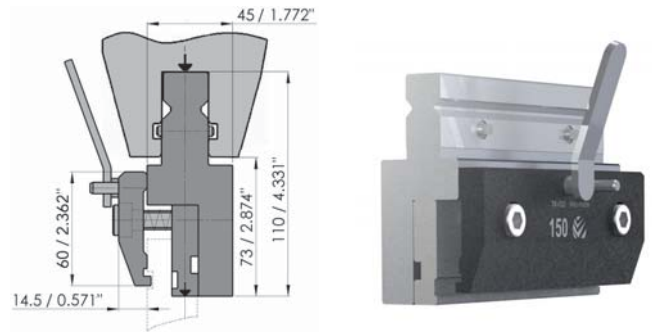
**TSU-020**



Type	Length	Weight		Max load
		kg	lbs	
TSU-020/1	515 mm	16.2	35.7	100 t/m 34 t/ft
TSU-E2M-020/1	515 mm	16.2	35.7	
TSU-020/4	150 mm	4.8	10.0	

Adapter, New Standard to European or American. Top provided with New Standard adaption and Safety-Pins. Bottom side interchangeable between European Style I and American Style adaptation and with clamping plate type TK-031.

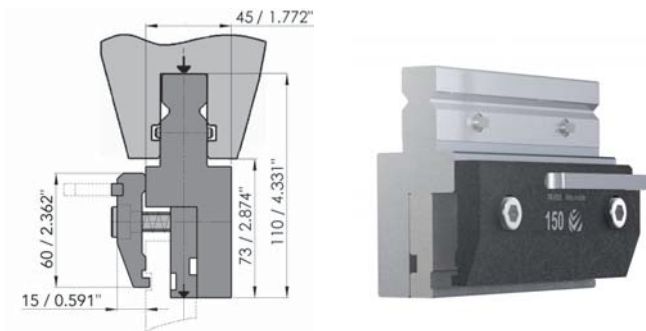
**TSU-021**



Type	Length	Weight		Max load
		kg	lbs	
TSU-021/1	515 mm	16.2	35.7	100 t/m 34 t/ft
TSU-E2M-021/1	515 mm	16.2	35.7	
TSU-021/4	150 mm	4.8	10.6	

Adapter, New Standard to European or American. Top provided with New Standard adaption and Safety-Pins. Bottom side interchangeable between European Style I and American Style adaptation and with clamping plate type TK-032.

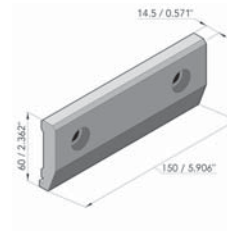
**TSU-022**



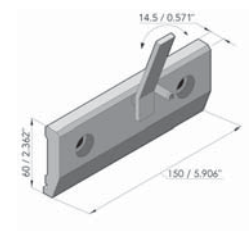
Type	Length	Weight		Max load
		kg	lbs	
TSU-022/1	515 mm	16.2	35.7	100 t/m 34 t/ft
TSU-E2M-022/1	515 mm	16.2	35.7	
TSU-022/4	150 mm	4.8	10.6	

Adapter, New Standard to European or American. Top provided with New Standard adaption and Safety-Pins. Bottom side interchangeable between European Style I and American Style adaptation and with clamping plate type TK-033.

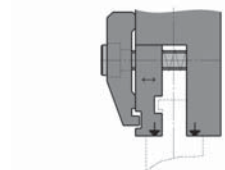
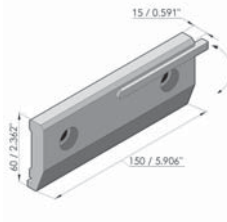
**TK-031**



**TK-032**

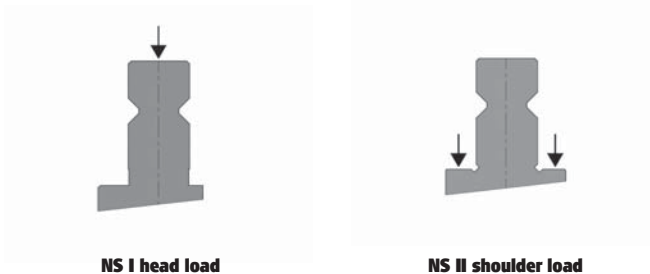


**TK-033**

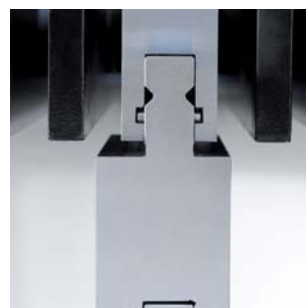


Example, if adapted to American Style adaption.

**ADAPTION**

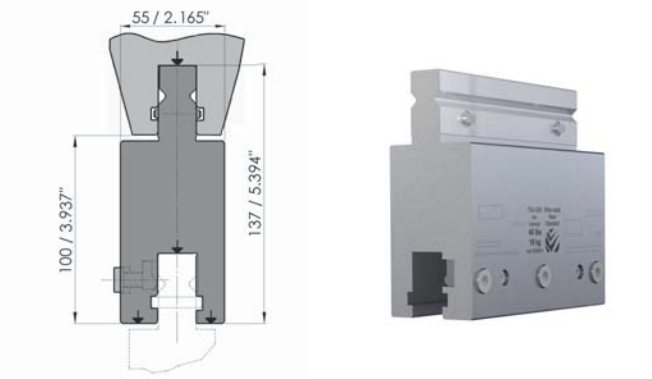


**SAFETY-PIN**



Tooling with a New Standard adaption and with sections weighing between 12.5-25 kg/28-55 lbs, are equipped with fixed Safety-Pins, allowing for horizontal interchange only.

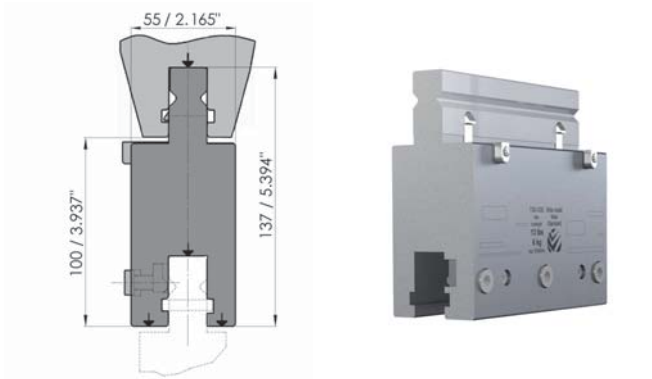
**TSU-029**



Type	Length	Weight		Max load
		kg	lbs	
TSU-029/1	515 mm	22.2	48.8	100 t/m 34 t/ft
TSU-E2M-029/1	515 mm	22.2	48.8	
TSU-029/4	150 mm	6.6	14.6	

Extender, top and bottom provided with New Standard adaption.  
Top side, adaption provided with Safety-Pins. Bottom side with self-seating clamping bar.

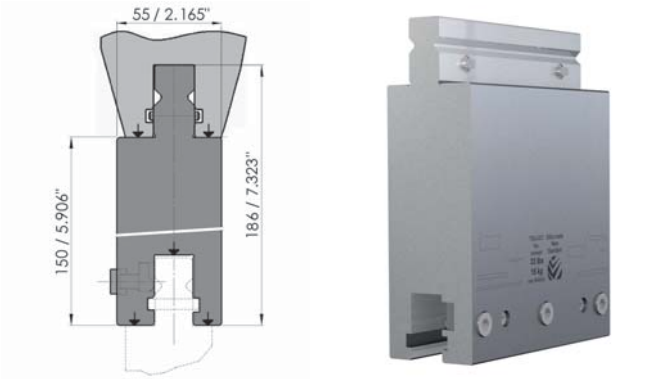
**TSU-030**



Type	Length	Weight		Max load
		kg	lbs	
TSU-030/4	150 mm	6.6	14.6	100 t/m 34 t/ft

Extender, top and bottom provided with New Standard adaption.  
Top side, adaption provided with Safety-Click®. Bottom side with self-seating clamping bar.

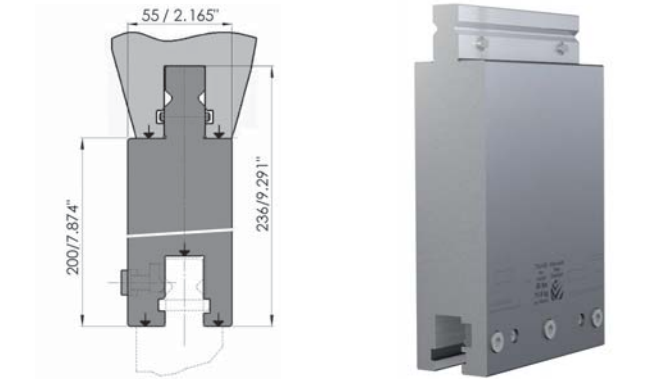
**TSU-031**



Type	Length	Weight		Max load
		kg	lbs	
TSU-031/4	150 mm	9.9	21.8	180 t/m 61 t/ft

Extender, top and bottom provided with New Standard adaption.  
Top side, adaption provided with Safety-Pins. Bottom side with self-seating clamping bar.  
Other heights available on request.

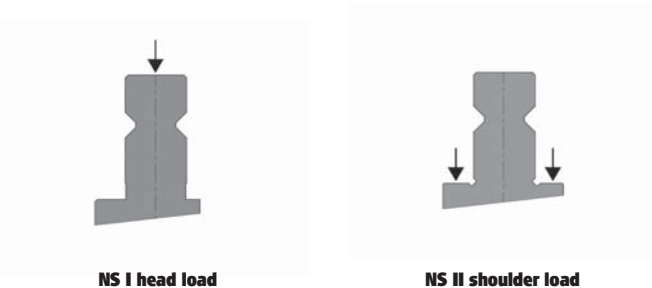
**TSU-032**



Type	Length	Weight		Max load
		kg	lbs	
TSU-032/4	150 mm	13.2	29.1	180 t/m 61 t/ft

Extender, top and bottom provided with New Standard adaption.  
Top side, adaption provided with Safety-Pins. Bottom side with self-seating clamping bar.  
Other heights available on request.

**ADAPTION**

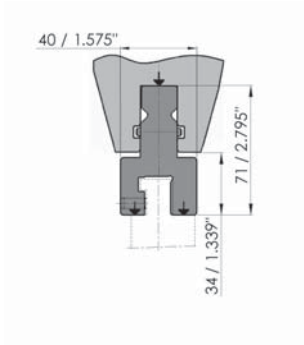


**EXTENDERS**



Extenders are used between the press brake's upper Clamping (or Tool Holder) and the top tool. Often they are used to heighten the top configuration, making it possible to bend deep boxes. These extenders are supplied as modules in lengths of 150 mm/5.91" and 515 mm/20.28". They are produced with extremely high precision, guaranteeing their interchangeability.

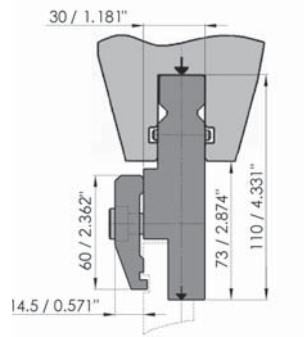
**TSU-023**



Type	Length	Weight		Max load
		kg	lbs	
TSU-023/1	515 mm	7.1	15.5	100 t/m 34 t/ft
TSU-023/4	150 mm	2.7	6.0	

Adapter, New Standard to American Style. Top provided with New Standard adaption and Safety-Pins. Bottom provided with American Style I adaptation and 1 clamping screw every 100 mm.

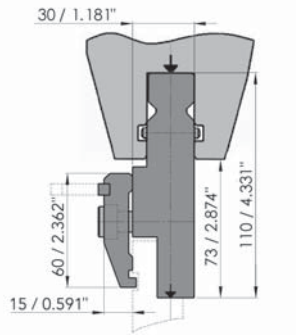
**TSU-024**



Type	Length	Weight		Max load
		kg	lbs	
TSU-024/1	515 mm	12.9	28.4	100 t/m 34 t/ft
TSU-E2M-024/1	515 mm	12.9	28.4	
TSU-024/4	150 mm	3.9	8.5	

Adapter, New Standard to European Style. Top provided with New Standard adaption and Safety-Pins. Bottom provided with European Style I adaptation and with clamping plate type TK-031.

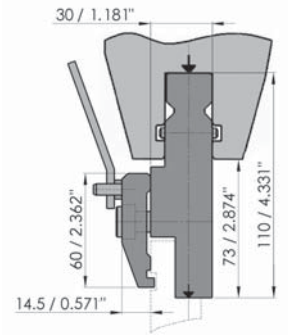
**TSU-025**



Type	Length	Weight		Max load
		kg	lbs	
TSU-025/1	515 mm	12.9	28.4	100 t/m 34 t/ft
TSU-E2M-025/1	515 mm	12.9	28.4	
TSU-025/4	150 mm	3.9	8.5	

Adapter, New Standard to European Style. Top provided with New Standard adaption and Safety-Pins. Bottom provided with European Style I adaptation and with clamping plate type TK-033.

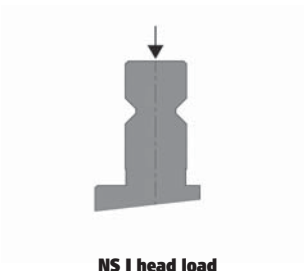
**TSU-026**



Type	Length	Weight		Max load
		kg	lbs	
TSU-026/1	515 mm	12.9	28.4	100 t/m 34 t/ft
TSU-E2M-026/1	515 mm	12.9	28.4	
TSU-026/4	150 mm	3.9	8.5	

Adapter, New Standard to European Style. Top provided with New Standard adaption and Safety-Pins. Bottom provided with European Style I adaptation and with clamping plate type TK-032.

**ADAPTION**



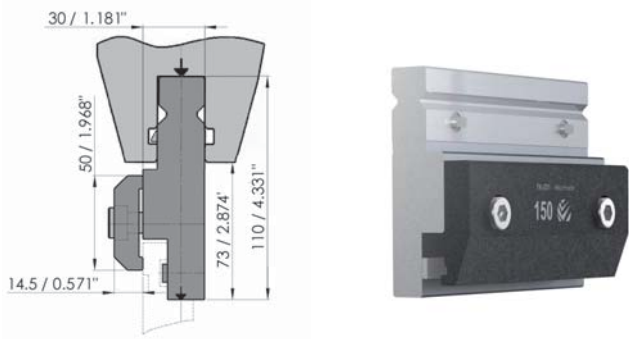
NS I head load

**ADAPTERS**



Adapters are used between the press brake's Clamping (or Tool Holder) and the top tool. Often they are used as an accessory to make the transition from one tool system to another. These adapters are supplied as modules in lengths of 150 mm/5.91" and 515 mm/20.28". They are produced with extremely high precision, guaranteeing their interchangeability.

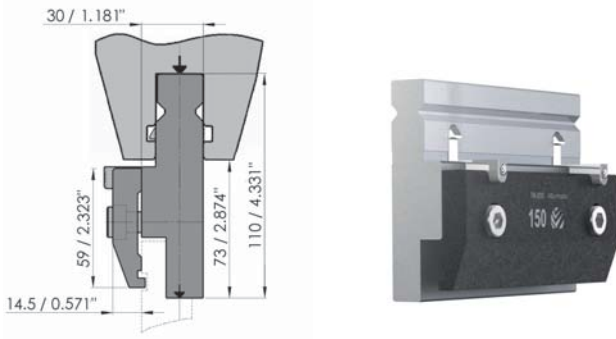
**TSU-027**



Type	Length	Weight		Max load
		kg	lbs	
TSU-027/1	515 mm	12.6	27.7	100 t/m 34 t/ft
TSU-E2M-027/1	515 mm	12.6	27.7	
TSU-027/4	150 mm	4.8	10.5	

Adapter, top provided with New Standard adaption and Safety-Pins. Bottom provided with European Style I adaptation with extra safety-slot, and with clamping plate type TK-034.

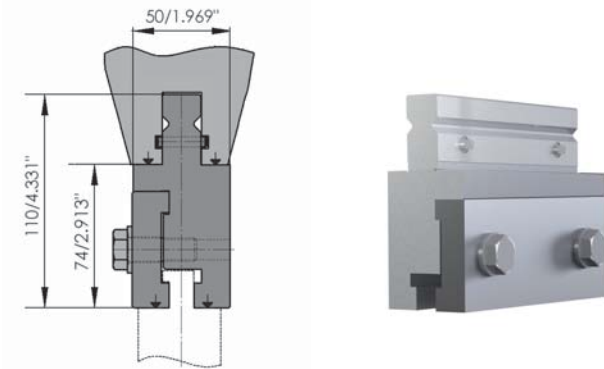
**TSU-028**



Type	Length	Weight		Max load
		kg	lbs	
TSU-028/4	150 mm	6.6	14.6	100 t/m 34 t/ft

Adapter, New Standard to European Style. Top provided with New Standard adaption and Safety-Clicks®. Bottom provided European Style I adaption and with clamping plate type TK-035

**TSU-033**



Type	Length	Weight		Max load
		kg	lbs	
TSU-033/1	515 mm	17.3	38.1	250 t/m 84 t/ft
TSU-E2M-033/1	515 mm	17.3	38.1	

Adapter New Standard to American Style. Top provided with New Standard adaption and Safety-Pins. Bottom side with clamping plate.

**ADAPTION**



NS I head load

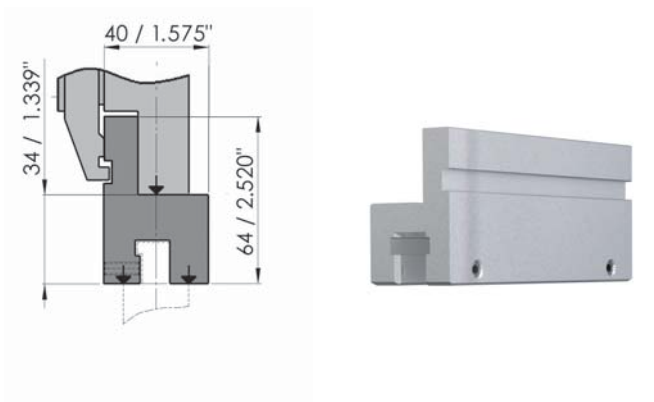
**E2M® SAFETY ROLLER BEARING**



WILA's patented E2M® (Easy to Move) innovation uses E2M® roller bearings in tools to easily, safely and quickly move heavy tools (E2M® >12,5 kg /28 lbs - < 25kg/56 lbs / E2M®-HD > 25 kg/56 lbs - < 100kg/220 lbs.), thus significantly reducing setup time.



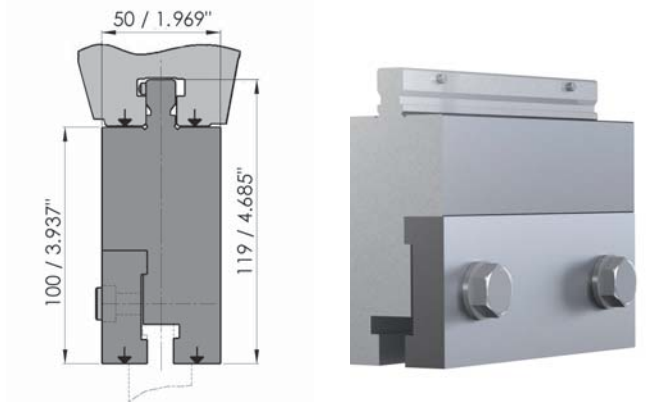
**TS-612**



Type	Length	Weight		Max load
		kg/m	lbs/ft	
TSU-612	Machine length	11.8	8.0	100 t/m 34 t/ft

Adapter, European Style to American Style. Top provided with European Style I adaption. Bottom provided with American Style I adaptation and 1 clamping screw every 100 mm. Made to order.

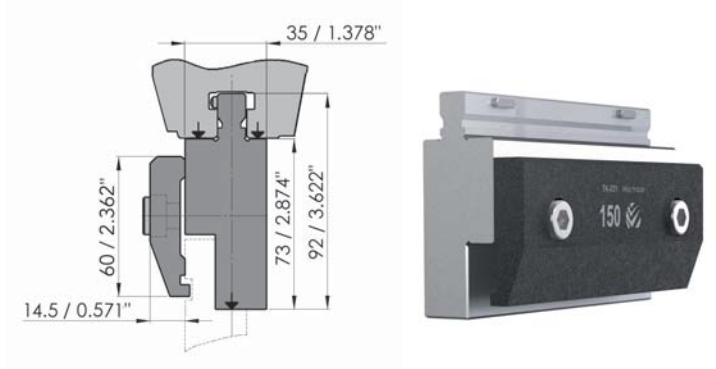
**TS-802**



Type	Length	Weight		Max load
		kg/m	lbs/ft	
TSU-802	Machine length	39.8	27.0	100 t/m 34 t/ft

Extender, American Style to American Style. Top provided with American Style II adaption and Safety-Pins. Bottom with American Style I adaptation and clamping plate. Made to order.

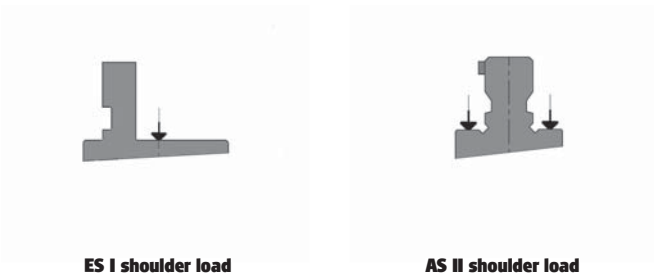
**TS-804**



Type	Length	Weight		Max load
		kg/m	lbs	
TSU-804	Machine length	29.7	20.0	100 t/m 34 t/ft

Adapter, American Style to European Style. Top provided with American Style II adaption and Safety-Pins. Bottom provided with European Style I adaptation and clamping plate TK-031. Made to order.

**ADAPTION**



**ES I shoulder load**

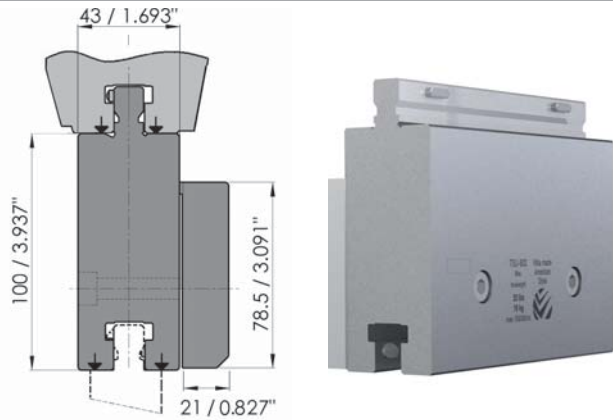
**AS II shoulder load**

**TOOLADVISOR**



The ToolAdvisor offers clear advice about which tools will suit your needs. It also offers information about, for example, the required tonnage, the resulting inside radius, and the minimum flange length. The WILA ToolAdvisor can be downloaded as a free App from the App Store and Google Play.

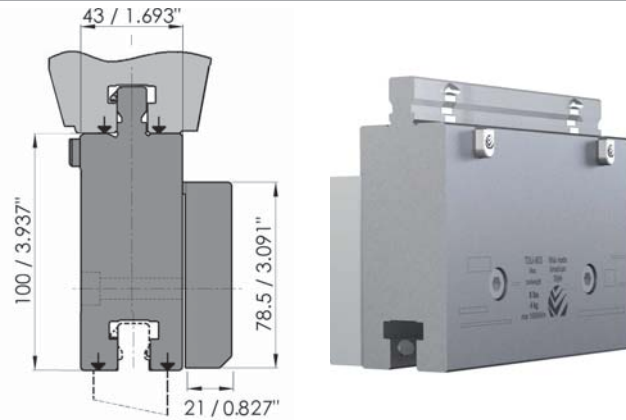
**TSU-802**



Type	Length	Weight		Max load
		kg/m	lbs/ft	
TSU-802/1	515 mm	21.1	46.5	100 t/m 34 t/ft
TSU-802/4	152 mm	6.2	13.7	

Extender, American Style to American Style. Top provided with American Style II adaption and Safety-Pins. Bottom with clamping bar for self-seating of top tools with American Style II tang. Working height 100 mm/3.937".

**TSU-803**



Type	Length	Weight		Max load
		kg/m	lbs/ft	
TSU-803/4	152 mm	6.2	13.7	100 t/m 34 t/ft

Extender, American Style to American Style. Top provided with American Style II adaption and Safety-Clicks®. Bottom with clamping bar for self-seating of top tools with American Style II tang. Working height 100 mm/3.937".

TOOL EXTENDERS  
TOOLING

AMERICAN STYLE®

**ADAPTION**



AS II shoulder load

**EXTENDERS**



Extenders are used between the press brake's upper Clamping (or Tool Holder) and the top tool. Often they are used to heighten the top configuration, making it possible to bend deep boxes. These extenders are supplied as modules in lengths of 150 mm/5.91" and 515 mm/20.28". They are produced with extremely high precision, guaranteeing their interchangeability.