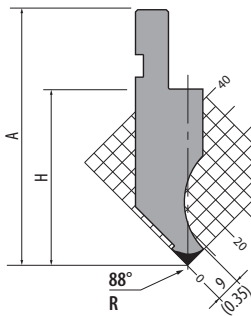


R1
A

A-PUNCHES
ROLLERI TYPE R1

00402 / 00430 / 01630 / 01602 1000 kN/m max.

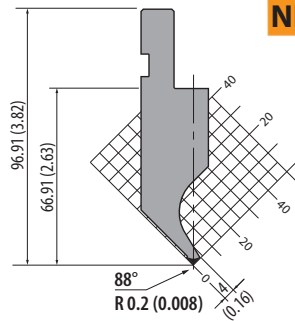


NEW

H=94.91 / A=124.91 / R=0.2 (H=3.74 / A=4.92 / R=0.008)			
00402 / 88°	835 mm	32.87 in	11.0 kg
	415 mm	16.34 in	5.5 kg
	795 mm segmented	31.29 in segmented	10.5 kg
	800 mm segmented	31.50 in segmented	10.5 kg
H=65.68 / A=95.68 / R=3 (H=2.59 / A=3.77 / R=0.118)			
00430 / 88°	835 mm	32.87 in	11.0 kg
	415 mm	16.34 in	5.5 kg
	795 mm segmented	31.29 in segmented	10.5 kg
	800 mm segmented	31.50 in segmented	10.5 kg
H=65.60 / A=95.60 / R=3 (H=2.58 / A=3.76 / R=0.008)			
01630 / 90°	835 mm	32.87 in	11.0 kg
	415 mm	16.34 in	5.5 kg
	795 mm segmented	31.29 in segmented	10.5 kg
	800 mm segmented	31.50 in segmented	10.5 kg
H=66.92 / A=96.92 / R=0.2 (H=2.63 / A=3.81 / R=0.118)			
01602 / 90°	835 mm	32.87 in	11.0 kg
	415 mm	16.34 in	5.5 kg
	795 mm segmented	31.29 in segmented	10.5 kg
	800 mm segmented	31.50 in segmented	10.5 kg

C45: 560-710 N/mm² **HORN 3**

11700 / 11600 200 kN/m max.

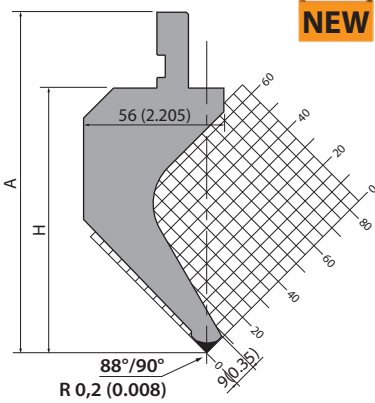


NEW

H=66.91 / A=96.91 (H=2.63 / A=3.81)			
11700 / 88°	835 mm	32.87 in	10.7 kg
	415 mm	16.34 in	5.3 kg
	795 mm segmented	31.29 in segmented	10.2 kg
	800 mm segmented	31.50 in segmented	10.3 kg
H=66.90 / A=96.90 (H=2.63 / A=3.81)			
11600 / 90°	835 mm	32.87 in	10.6 kg
	415 mm	16.34 in	5.3 kg
	795 mm segmented	31.29 in segmented	10.1 kg
	800 mm segmented	31.50 in segmented	10.2 kg

42Cr: 900-1150 N/mm²

04502 / 04600 500 kN/m max.

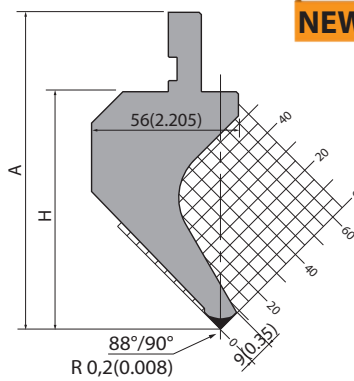


NEW

H=104.91 / A=134.91 (H=4.13 / A=5.31)			
04502 / 88°	835 mm	32.87 in	25.6 kg
	415 mm	16.34 in	12.8 kg
	795 mm segmented	31.29 in segmented	20.1 kg
	800 mm segmented	31.50 in segmented	20.2 kg
H=104.91 / A=134.91 (H=4.13 / A=5.31)			
04600 / 90°	835 mm	32.87 in	22.0 kg
	415 mm	16.34 in	11.0 kg
	795 mm segmented	31.29 in segmented	21.0 kg
	800 mm segmented	31.50 in segmented	21.3 kg

42Cr: 900-1150 N/mm² **HORN 3**

45202 / 46200 700 kN/m max.

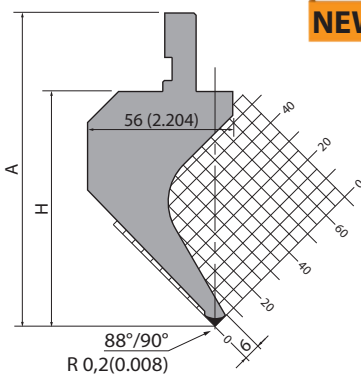


NEW

H=89.91 / A=119.91 (H=3.54 / A=4.72)			
45202 / 88°	835 mm	32.87 in	19.6 kg
	415 mm	16.34 in	9.8 kg
	795 mm segmented	31.29 in segmented	18.7 kg
	800 mm segmented	31.50 in segmented	18.9 kg
H=89.91 / A=119.91 (H=3.54 / A=4.72)			
46200 / 90°	835 mm	32.87 in	19.6 kg
	415 mm	16.34 in	9.8 kg
	795 mm segmented	31.29 in segmented	18.7 kg
	800 mm segmented	31.50 in segmented	18.9 kg

42Cr: 900-1150 N/mm² **HORN 3**

45302 / 46300 500 kN/m max.

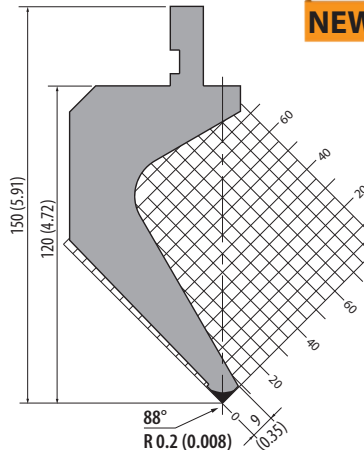


NEW

H=89.91 / A=119.91 (H=3.54 / A=4.72)			
45302 / 88°	835 mm	32.87 in	18.6 kg
	415 mm	16.34 in	9.3 kg
	795 mm segmented	31.29 in segmented	17.7 kg
	800 mm segmented	31.50 in segmented	17.9 kg
H=89.91 / A=119.91 (H=3.54 / A=4.72)			
46300 / 90°	835 mm	32.87 in	18.6 kg
	415 mm	16.34 in	9.3 kg
	795 mm segmented	31.29 in segmented	17.7 kg
	800 mm segmented	31.50 in segmented	17.9 kg

42Cr: 900-1150 N/mm² **HORN 7**

04702 / 04800 500 kN/m max.



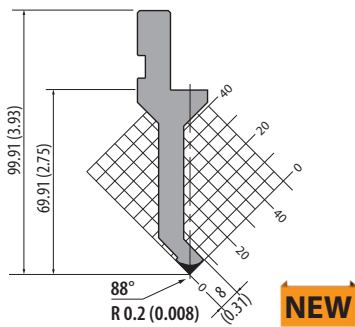
NEW

H=120.00 / A=150.00 (H=4.72 / A=5.90)			
04702 / 88°	835 mm	32.87 in	25.9 kg
	415 mm	16.34 in	12.9 kg
	795 mm segmented	31.29 in segmented	24.6 kg
	800 mm segmented	31.50 in segmented	24.9 kg
H=120.00 / A=150.00 (H=4.72 / A=5.90)			
04800 / 90°	835 mm	32.87 in	25.9 kg
	415 mm	16.34 in	12.9 kg
	795 mm segmented	31.29 in segmented	24.6 kg
	800 mm segmented	31.50 in segmented	24.9 kg

42Cr: 900-1150 N/mm² **HORN 3**

20000 / 20100

300 kN/m max.



H=69.91 / A=99.91 (H=2.75 / A=3.93)			
20000 / 88°	835 mm	32.87 in	7.9 kg
	415 mm	16.34 in	3.9 kg
20100 / 90°	795 mm segmented	31.29 in segmented	7.6 kg
	800 mm segmented	31.50 in segmented	7.7 kg

NEW

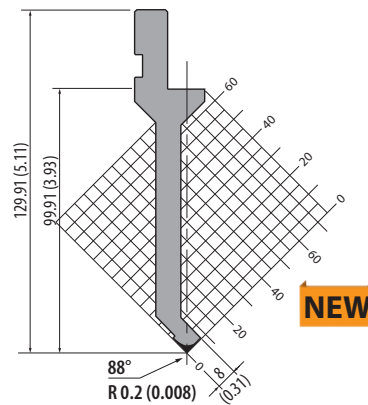
42Cr: 900-1150 N/mm²

HORN 4



20200 / 20300

300 kN/m max.



H=99.91 / A=129.91 (H=3.93 / A=5.11)			
20200 / 88°	835 mm	32.87 in	10.0 kg
	415 mm	16.34 in	5.0 kg
20300 / 90°	795 mm segmented	31.29 in segmented	9.5 kg
	800 mm segmented	31.50 in segmented	9.6 kg

NEW

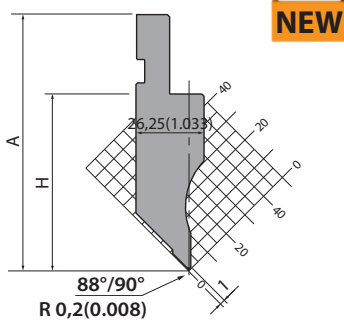
42Cr: 900-1150 N/mm²

HORN 4



00480 / 01680

400 kN/m max.



NEW

H=66.91 / A=96.91 (H=2.63 / A=3.82)			
00480 / 88°	835 mm	32.87 in	10.7 kg
	415 mm	16.34 in	5.3 kg
01680 / 90°	795 mm segmented	31.29 in segmented	10.2 kg
	800 mm segmented	31.50 in segmented	10.3 kg

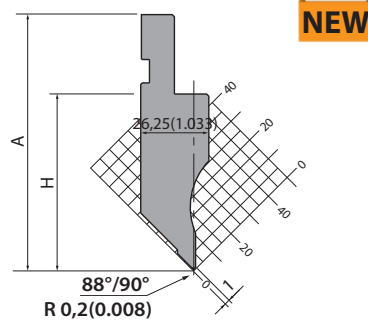
C45: 560-710 N/mm²

HORN 3



00490 / 01690

800 kN/m max.



NEW

H=94.91 / A=124.91 / R=0.2 (H=3.74 / A=4.92 / R=0.008)			
10900	835 mm	32.87 in	9.0 kg
	415 mm	16.34 in	4.5 kg
10906	795 mm segmented	31.29 in segmented	8.5 kg
	800 mm segmented	31.50 in segmented	8.6 kg

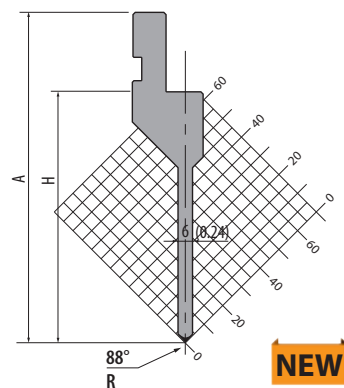
42Cr: 900-1150 N/mm²

HORN 4



10900 / 10906 / 10800

500 kN/m max.



NEW

H=94.91 / A=124.91 / R=0.2 (H=3.74 / A=4.92 / R=0.008)			
10900 / 88°	835 mm	32.87 in	9.0 kg
	415 mm	16.34 in	4.5 kg
10906 / 88°	795 mm sektioniert	31.29 in segmented	8.5 kg
	800 mm sektioniert	31.50 in segmented	8.6 kg

H=94.74 / A=124.74 / R=0.6 (H=3.73 / A=4.91 / R=0.024)			
10906 / 88°	835 mm	32.87 in	9.0 kg
	415 mm	16.34 in	4.5 kg
10800 / 90°	795 mm sektioniert	31.29 in segmented	8.5 kg
	800 mm sektioniert	31.50 in segmented	8.6 kg

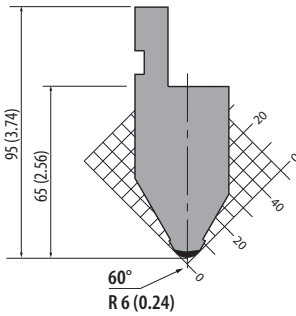
42Cr: 900-1150 N/mm²

HORN 4



00300

1000 kN/m max.



835 mm	32.87 in	15.0 kg
415 mm	16.34 in	7.5 kg
795 mm segmented	31.29 in segmented	14.2 kg
800 mm segmented	31.50 in segmented	14.4 kg

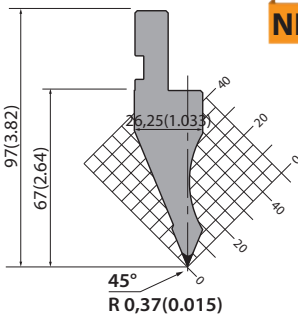
C45: 560-710 N/mm²



45° A-Punches

00800

600 kN/m max.



NEW

835 mm	32.87 in	11.0 kg
415 mm	16.34 in	5.5 kg
795 mm segmented	31.29 in segmented	10.4 kg
800 mm segmented	31.50 in segmented	10.6 kg

C45: 560-710 N/mm²



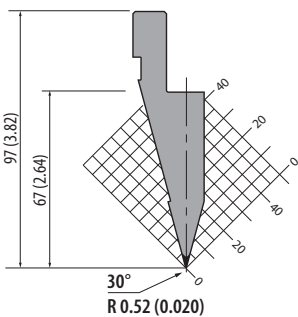
Subscribe to our newsletter to get updated information and bending lessons.

You can easily subscribe at www.rolleritools.com/newsletter

30° A-Punches

10300

1000 kN/m max.



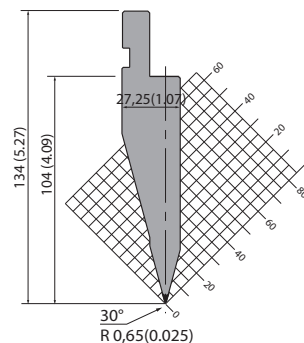
835 mm	32.87 in	11.0 kg
415 mm	16.34 in	5.5 kg
795 mm segmented	31.29 in segmented	10.4 kg
800 mm segmented	31.50 in segmented	10.6 kg

42Cr: 900-1150 N/mm²



21000

1000 kN/m max.



NEW

835 mm	32.87 in	15.3 kg
415 mm	16.34 in	7.6 kg
795 mm segmented	31.29 in segmented	14.5 kg
800 mm segmented	31.50 in segmented	14.6 kg

C45: 560-710 N/mm²



Article on stock



Please ask for delivery time!

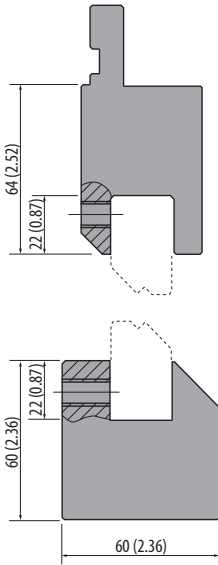
1 kg = 2.20 Pounds (lb) = 35.27 Ounces (oz)
100 mm = 3.94 Inch (in) = 0.33 Feet (ft)



Articles on stock – Please note that delivery time depends on your location.

CPZ

1000 kN/m max.



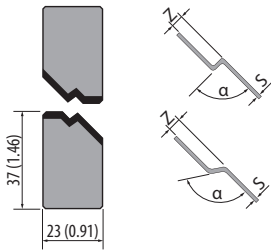
835 mm	32.87 in	37.5 kg
415 mm	16.34 in	18.7 kg

C45: 560-710 N/mm²



Joggle Tool Inserts 160° / 150° / 140° / 90°

1000 kN/m max.



C45: 560-710 N/mm²

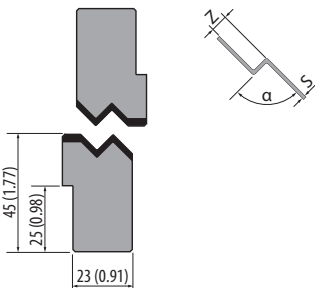


Model	Z mm	Z in	α	S* mm	S* inch	Weight	
CEZ 1.0	1.0	0.04	160°	1.2	0.05	835 mm / 32.87 in	415 mm / 16.34 in
CEZ 1.5	1.5	0.06	160°	1.5	0.06		
CEZ 2.0	2.0	0.08	150°	1.4	0.06		
CEZ 2.5	2.5	0.10	140°	1.3	0.05		
CEZ 1.0/90	1.0	0.04	90°	0.3	0.01		
CEZ 1.5/90	1.5	0.06	90°	0.3	0.01		
CEZ 2.0/90	2.0	0.08	90°	0.4	0.02		
CEZ 2.5/90	2.5	0.10	90°	0.5	0.02		
CEZ 3.0	3.0	0.12	90°	1.0	0.04		
CEZ 3.5	3.5	0.14	90°	1.0	0.04		
CEZ 4.0	4.0	0.16	90°	1.2	0.05		
CEZ 4.5	4.5	0.18	90°	1.2	0.05		
CEZ 5.0	5.0	0.20	90°	1.3	0.05		
CEZ 5.5	5.5	0.22	90°	1.4	0.06		
CEZ 6.0	6.0	0.24	90°	1.5	0.06		
CEZ 6.5	6.5	0.26	90°	1.5	0.06		
CEZ 7.0	7.0	0.28	90°	1.5	0.06		
CEZ 7.5	7.5	0.30	90°	1.6	0.06		
CEZ 8.0	8.0	0.31	90°	1.6	0.06		

* Fe Rmax = 42 Kg/mm²

Joggle Tool Inserts 90°

1000 kN/m max.



C45: 560-710 N/mm²

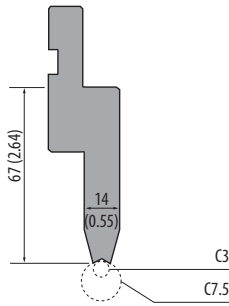


Model	Z mm	Z in	α	S* mm	S* inch	Weight	
CEZ 9.0	9	0.35	90°	1.8	0.07	835 mm / 32.87 in	415 mm / 16.34 in
CEZ 10.0	10	0.39	90°	1.8	0.07		
CEZ 11.0	11	0.43	90°	2	0.08		
CEZ 12.0	12	0.47	90°	2	0.08		
CEZ 13.0	13	0.51	90°	2	0.08		
CEZ 14.0	14	0.55	90°	2	0.08		
CEZ 15.0	15	0.59	90°	2.3	0.09		

* Fe Rmax = 42 Kg/mm²

PU.67.14-S

400 kN/m max.



830 mm	32.68 in	9.7 kg
410 mm	16.14 in	5.0 kg

for Radius tools with R3-R7.5
(C3-C7.5) see below

C45: 560-710 N/mm²



Mark-free bending
with polyurethane
inserts
See pages 240-241

C3 - C7.5

400 kN/m max.



C45: 560-710 N/mm²

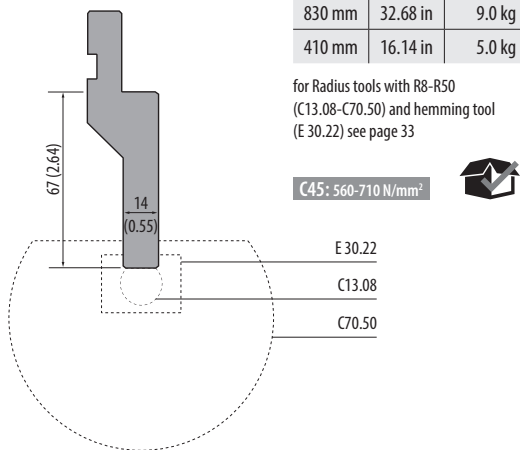


Model	R mm	R in	Weight	
C3	3.0	0.12	0.20 kg	0.10 kg
C3.5	3.5	0.14	0.20 kg	0.10 kg
C4	4.0	0.16	0.35 kg	0.17 kg
C4.5	4.5	0.18	0.50 kg	0.25 kg
C5	5.0	0.20	0.60 kg	0.30 kg
C5.5	5.5	0.22	0.70 kg	0.35 kg
C6	6.0	0.24	0.80 kg	0.40 kg
C6.5	6.5	0.26	1.00 kg	0.50 kg
C7	7.0	0.28	0.80 kg	0.40 kg
C7.5	7.5	0.30	1.00 kg	0.50 kg

835 mm / 32.87 in
415 mm / 16.34 in

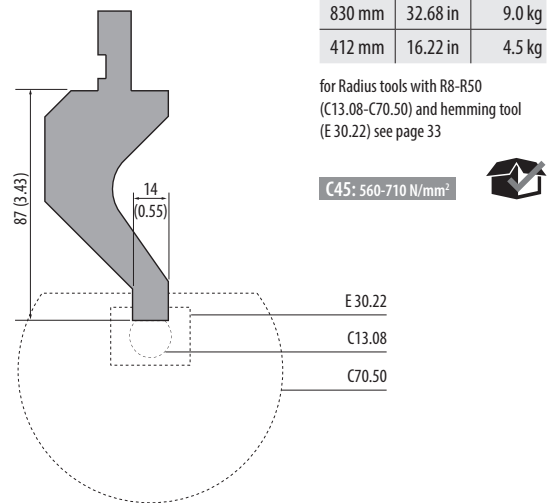
PU.67.14

800 kN/m max.



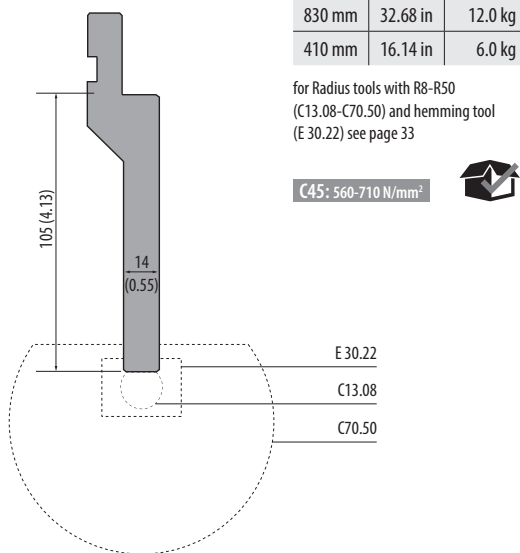
PU.87.14

500 kN/m max.



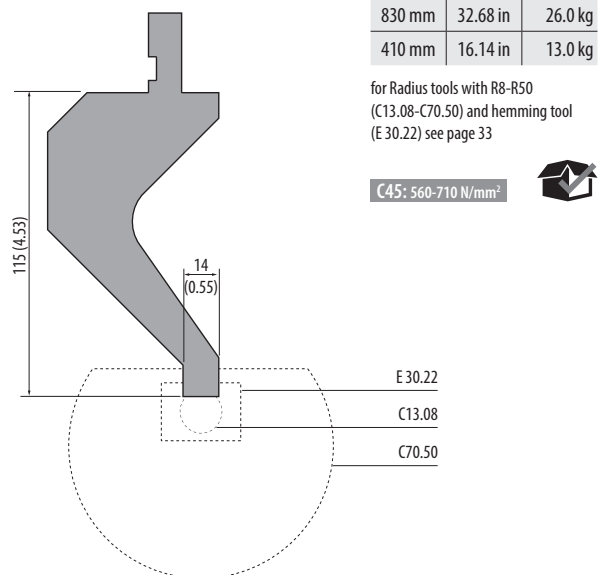
PU.105.14

800 kN/m max.



PU.115.14

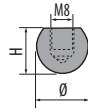
500 kN/m max.



Articles on stock – Please note that delivery time varies according to your location.

Radius Tool: Ø 16-20 mm (0.63-0.79 in)

800 kN/m max.

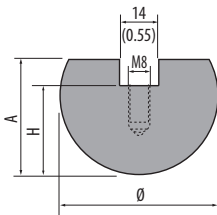


C45: 560-710 N/mm²

Model	Ø mm	Ø in	H mm	H in	835 mm / 32.87 in	Weight	415 mm / 16.34 in	Weight
C13.08	16	0.63	13	0.51	835 mm / 32.87 in	2.00 kg	415 mm / 16.34 in	1.00 kg
C13.09	18	0.71	16	0.63		2.00 kg		1.00 kg
C16.10	20	0.79	16	0.63		2.00 kg		1.00 kg

Radius Tool: Ø 25-100 mm (0.98-3.94)

800 kN/m max.



NEW



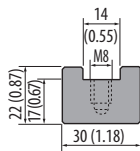
C45: 560-710 N/mm²

Model	Ø (mm)	H (mm)	A (mm)	835 mm	Weight	415 mm	Weight
C17.12	25	17	22	835 mm	2.5 kg	415 mm	1.2 kg
C20.15	30	20	27		3.7 kg		1.8 kg
C22.17	35	22	32		5.0 kg		2.4 kg
C24.20	40	24	34		7.0 kg		3.5 kg
C25.22	45	25	35		7.5 kg		3.8 kg
C29.25	50	29	39		10.0 kg		4.7 kg
C34.27	55	34	44		12.4 kg		6.2 kg
C34.30	60	34	44		13.5 kg		6.7 kg
C37.32	65	37	47		15.9 kg		7.9 kg
C45.35	70	45	55		20.3 kg		10.0 kg
C42.37	75	42	52		20.5 kg		10.3 kg
C45.40	80	45	55		23.0 kg		11.5 kg
C60.45	90	60	70		34.0 kg		17.0 kg
C70.50	100	70	80		43.5 kg		21.7 kg

Hemming Tool

E30.22

800 kN/m max.



835 mm	32.87 in	3.5 kg
415 mm	16.34 in	1.7 kg

C45: 560-710 N/mm²



Article on stock



Please ask for delivery time!

1 kg = 2.20 Pounds (lb) = 35.27 Ounces (oz)
100 mm = 3.94 Inch (in) = 0.33 Feet (ft)



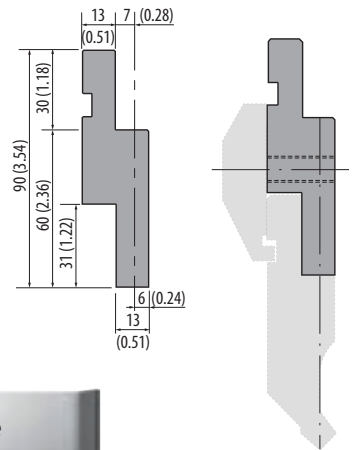
Articles on stock – Please note that delivery time depends on your location.

Our Advantages – Your Convenience

- Wedge crowning prevents deflection
- high boxes can be bent
- To bend **big boxes** see SPE-P4 in the area of special tools on page 251

AD4

1000 kN/m max.



per piece	1.8 kg
-----------	--------

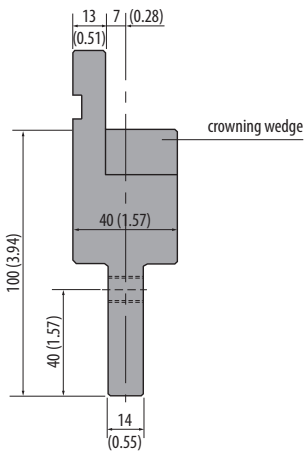
L=150 mm (5.91 in)
Punch extension
without wedge crowning

C45: 560-710 N/mm²



INT100

1000 kN/m max.



per piece	3.5 kg
-----------	--------

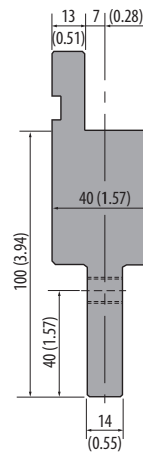
L=150 mm (5.91 in)

C45: 560-710 N/mm²



INT100 FISSO

1000 kN/m max.



per piece	4.0 kg
-----------	--------

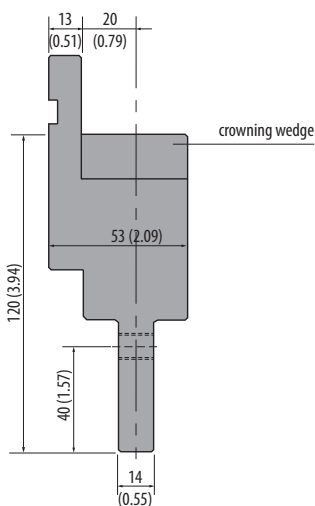
L=150 mm (5.91 in)
Punch extension
without wedge crowning

C45: 560-710 N/mm²



INT120-40

1000 kN/m max.



per piece	5.2 kg
-----------	--------

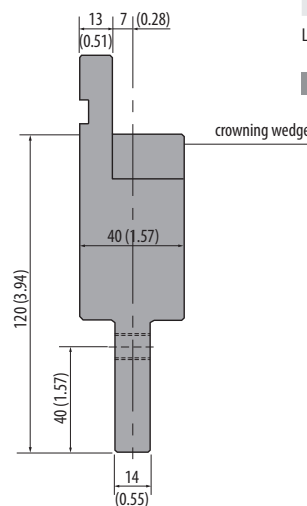
L=150 mm (5.91 in)

C45: 560-710 N/mm²



INT120

1000 kN/m max.



per piece	4.5 kg
-----------	--------

L=150 mm (5.91 in)

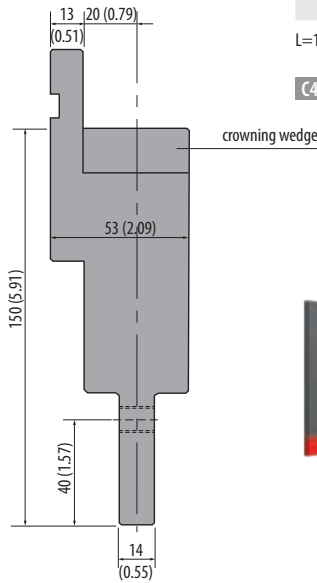
C45: 560-710 N/mm²



Intermediates also
available in L=70 mm
upon request.

INT150-40

1000 kN/m max.

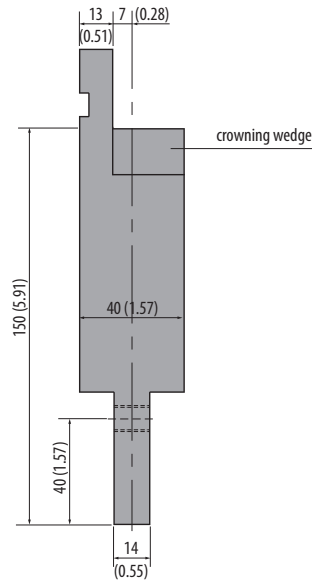


per piece 8.0 kg
L=150 mm (5.91 in)
C45: 560-710 N/mm²

**Rolleri Clamping
Systems**
See pages 210-218

INT150

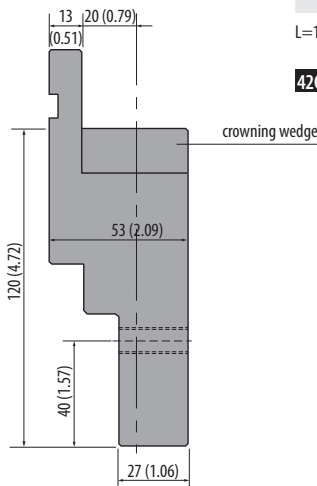
1000 kN/m max.



per piece 5.9 kg
L=150 mm (5.91 in)
C45: 560-710 N/mm²

INT120-40-HD (Heavy Duty)

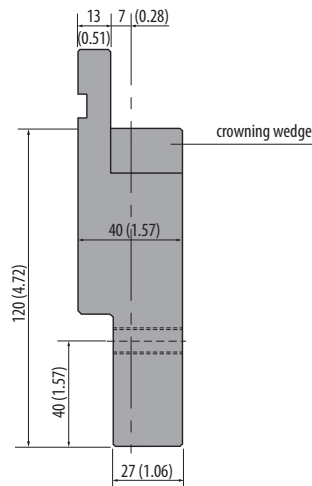
1600 kN/m max.



per piece 5.2 kg
L=150 mm (5.91 in)
42Cr: 900-1150 N/mm²

INT120-HD (Heavy Duty)

1600 kN/m max.

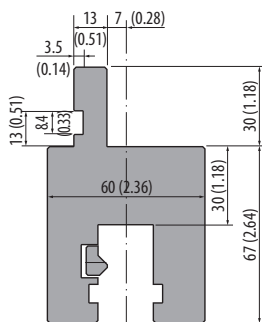


per piece 4.5 kg
L=150 mm (5.91 in)
42Cr: 900-1150 N/mm²

Punch Adapters

AD20

1000 kN/m max.

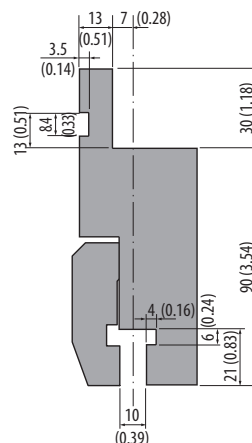


per piece 4.0 kg
L=150 mm (5.91 in)
head-bearing
Rolleri Type R1
→ Rolleri Type R2
C45: 560-710 N/mm²

**Punches
Rolleri Type R2
see pages 89-94**

AD19-A

1000 kN/m max.



per piece 6.0 kg
L=150 mm (5.91 in)
Rolleri Type R1
→ Rolleri Type RX LVD
C45: 560-710 N/mm²

**Punches
Rolleri Type RX LVD
see page 158-159**