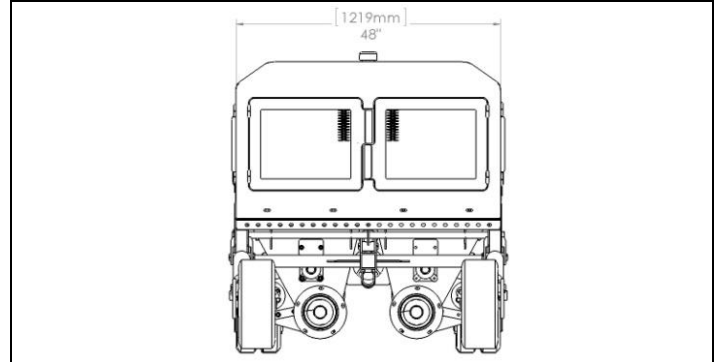
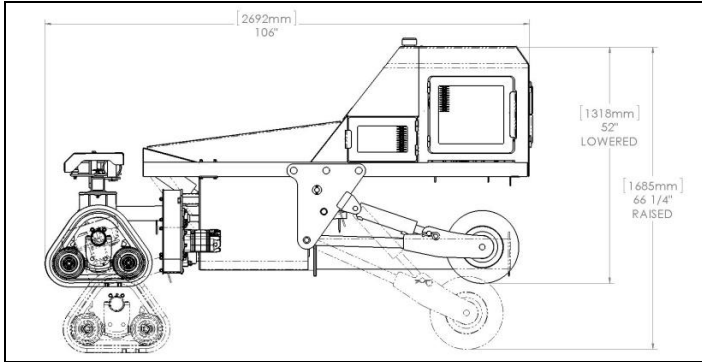


Form-Botic

Specifications & Dimensions



Length:

104.5 inches (265.43 cm)

Width:

48 inches (121.92 cm)

Height:

Lowered - 52 inches (132.08 cm)

Raised - 66.25 inches (168.27 cm)

Weight:

Dry 2150 lbs (975.22 kg)

Wet 2375 lbs (1075 kg)

Turning radius :

4' sidewalk mold; 2' curb mold

Production Rate:

Up to 15 feet (4.57 meters) per minute

Solidified tires

16.5 x 6.5 x 8 inches (41.91 x 16.51 x 20.32 cm)

Tracks:

24 x 8 x 18 inches (60.96 x 20.32 x 45.72 cm)

Engine:

38 hp Kohler Command pro (Diesel optional)

Fuel:

Gas 87 octane

Fuel tank capacity:

2 x 6 gallon (22.71 liters) removable tanks

Hydraulic pump:

Sauer-Danfoss model Series 45 L25C

GPM 20gpm@3kRPM (75lpm@3k)

Hydraulic controls:

Sauer-Danfoss PVG32 spools

Hydraulic Oil:

ISO 46 premium

Hydraulic tank capacity:

20 gal (75.70 liters)

Remote controller system /radio:

Ikuzi – 914.150-915.875Mhz ERP < 1mW

Range: approximately 200 meter

Battery life: approximately 16 hour

Automated: grade, steering and cross slope_capabilities

String line kit:

feature for automated steering/height adjustment (optional)

Curb/gutter and sidewalk mould:

Curb up to 24" w x 24" h

Gutter up to 30" w x 24" h

Sidewalk up to 6' wide

