

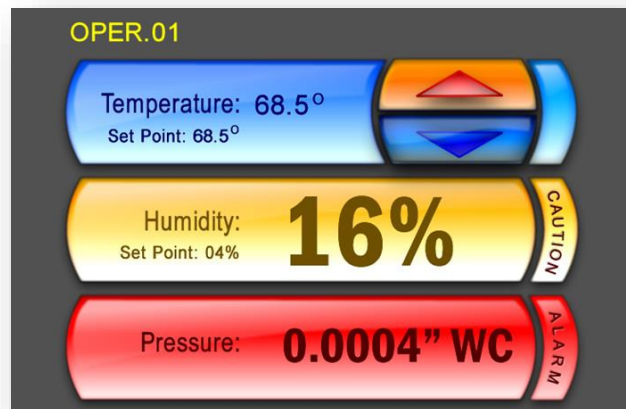
CRC-MPM

Multiple Point Monitor

Rev 5.1

FEATURES:

- Bright/sunlight readable 7.0" LCD touch screen.
- Displays large, easy to read values, set points, room status, modes and alarms
- Up to three fully configurable icons including:
 - Environmental points
 - Point or room status
 - Point or room mode
- Display point values, set points, point status or space mode
- Local and remote audible and visual alarms
- Local set point, Status and mode change
- Analog and digital input and outputs for point values, modes or status indicator
- Network for values, modes or status points
- Password protection and configurable user access restrictions
- Set point, status and mode networked or hardwired
- All parameters/settings saved in non/volatile memory
- Field configurable, easy, and intuitive menus.
- Easy and quick installation
- Input and output diagnostic screen
- Network communication debug screen



OVERVIEW:

Designed to fit any application, our Multiple Point Monitor can be completely customized to monitor, alarm, and allow set point adjustment for any sensor, contact, or network point (up to three points). It also includes an "Additional Info" screen where a facility can display unlimited additional network points (4 at a time). The CRC-MPM allows the user to setup individual visual and audible caution and alarm set points.

Each monitor communicates values thru analog outputs, relays or communication protocol. The user can independently configure the 4 analog outputs to either mirror analog inputs or communicate set point adjustments.

The CRC-MPM is excellently suited to meet the stringent critical environment of hospital isolation rooms, pharmacies, operating rooms, research facilities, pharmaceutical and industrial sterile areas. The CRC-MPM is capable of integration with building automation systems thru its onboard RS-485 communication port.

DISPLAY:

- Description:** 5.7" Full color LED TFT 18 bit (262,144) color depth, sunlight viewable, 400cdm brightness, touch screen interface - resistive touch (will work with gloved finger). Screen is capable of wipe down cleaning and water spray and dust resistant meeting (IP-54)
- Listing:** CSA®, RU(us), UL 60950, UL 94 V-0 (Enclosure)
- Main Screen:** Display, alarm, and adjust set points for up to three environmental points
- I/O Diagnostic:** Graphical display of controller analog inputs/outputs and digital inputs/outputs
- Mounting:** Low profile surface

POWER REQUIREMENTS:

- Input Power:** 22 to 26VAC; 50/60Hz, fully isolated
- Power Draw:** 20 VA
- Primary:** 24 VAC Input
- Class:** Class 2 Energy Limiting, Class 130 (B) Insulation, Class 2 not wet, Class 3 wet
- Listing:** CSA (c), RU (us)
ANSI/UL 506, 508-1, 508-2

ENVIRONMENTAL CHARACTERISTICS:

Temperature Limits:

- Storage: -40 to 180
- Operating: +0 to 160

CONTROLLER I/O:

- Analog Inputs:** 4: 4-20mA, 0-10V, or 0-5V (software selectable)
- Analog Outputs:** 4: 0-10V or 0-5V (software selectable)
- Digital Inputs:** 4
- Relays:** 4 (normally closed - 0.5 A at 125 VAC; 2 A at 30 VDC)
- Terminals:** Removable screw terminals (18ga - 26ga wire)
- Enclosure:** Fire retardant, extruded acrylic/PVC Alloy UL94V
- Communication:** RS-485
- Onboard power:** 10vdc (80mA max.), 5vdc (80mA max.), and onboard loop power circuit 22VDC (80mA max.)

COMMUNICATION:

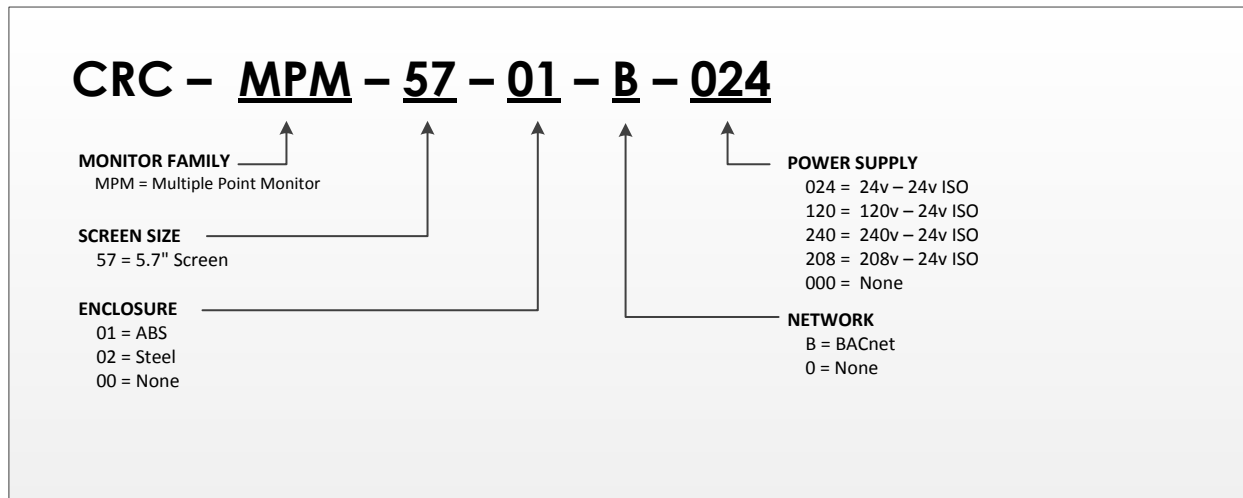
Connection: RS-485

Supported Protocol: BACnet MS/TP, Modbus, Johnson Controls Incorporated N2, and LON with optional card

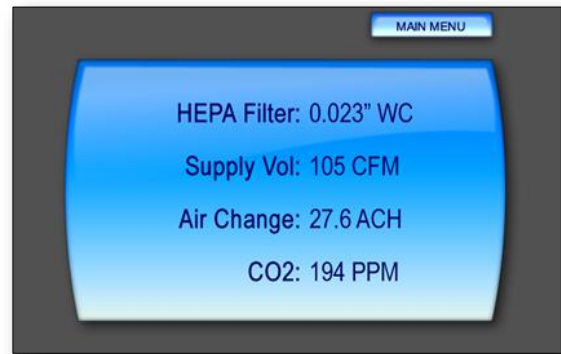
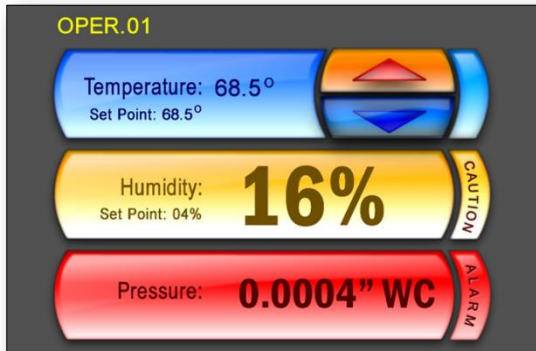
Network Debug: Network communication diagnostics

Network Setup: Baud rate, MAC address and Instance ID configured via touch screen

ORDERING NOMENCLATURE:



ADDITIONAL SCREENS:



ADDITIONAL PRODUCT INFORMATION:

Please contact us at:

Web: www.criticalroom.com
Phone: 414.324.8978
Address: Critical Room Control
6643 West Mill Road
Milwaukee, WI 53218