

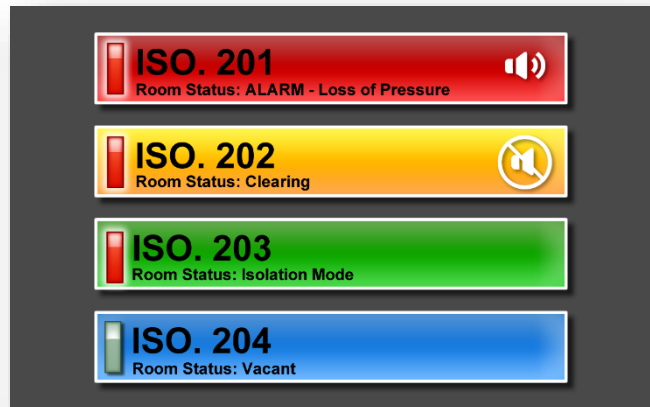
CRC-MRM

Multiple Room Monitor

Rev 5.1

FEATURES:

- Bright / sunlight readable 5.7" LCD touch screen
- Device can be configured to monitor up to 4 rooms
- Display and alarm up to 5 user selectable data elements (points) for each of the four (4) rooms
- Resistive touch control - Use bare finger, gloved finger, or stylus to interact with LCD screen
- Clear and unambiguous display indication of rooms overall status and points
- Local alarm acknowledge (silence)
- In addition to the five (5) data elements (points), each room has an independent overall status with audible and visual alarm. Each data element displays both a value and a status/alarm
- User can choose from multiple pre set and custom data elements (points)
- "Quick Config" feature allows engineer to quickly setup controller
- Field configurable easy and intuitive menus
- Audible alarm silence (on screen and remote)
- Supports multiple BMS protocols
- Communicates via hardwire connection to CRC-RPM/C



OVERVIEW:

Critical Room Control's Multiple Room Monitor (CRC-MRM) is an advanced compact display module that continuously monitors the occupancy and pressure alarm status of up to four individual rooms via hardwire or network connection. The CRC-MRM also allows the remote monitoring of five additional environmental points per room (20 points total) via on board network connectivity.

The CRC-MRM is perfectly suited for healthcare, lab vivarium, and manufacturing environments and applications.

DISPLAY:

- Description:** 5.7" Full color LED TFT 18 bit (262,144) color depth, sunlight viewable, 400cdm brightness, touch screen interface - resistive touch (will work with gloved finger). Screen is capable of wipe down cleaning and water spray and dust resistant meeting (IP-54)
- Listing:** CSA®, RU(us), UL 60950, UL 94 V-0 (Enclosure)
- Main Screen:** Display status and alarm up to 4 rooms (via hardwire or network)
- I/O Diagnostic:** Graphical display of controller analog inputs/outputs
- Mounting:** Low profile surface

POWER REQUIREMENTS:

- Input Power:** 22 to 26VAC; 50/60Hz, fully isolated
- Power Draw:** 15 VA
- Primary:** 24 VAC Input
- Class:** Class 2 Energy Limiting, Class 130 (B) Insulation, Class 2 not wet, Class 3 wet
- Listing:** CSA (c), RU (us)
ANSI/UL 506, 508-1, 508-2

ENVIRONMENTAL CHARACTERISTICS:

Temperature Limits:

- Storage: -40 to 180
- Operating: +0 to 160

CONTROLLER I/O:

- Analog Inputs:** 4: 4-20mA, 0-10V, or 0-5V (jumper selectable)
- Analog Outputs:** 4: 0-10V or 0-5V (jumper selectable)
- Digital Inputs:** 4
- Relays:** 4 (normally open - 0.5 A at 125 VAC; 2 A at 30 VDC)
- Terminals:** Removable screw terminals (18ga - 26ga wire)
- Enclosure:** Fire retardant, extruded acrylic/PVC Alloy UL94V
- Communication:** RS-485
- Onboard power:** 10vdc (80mA max.), 5vdc (80mA max.), and onboard loop power circuit 22VDC (80mA max.)

COMMUNICATION:

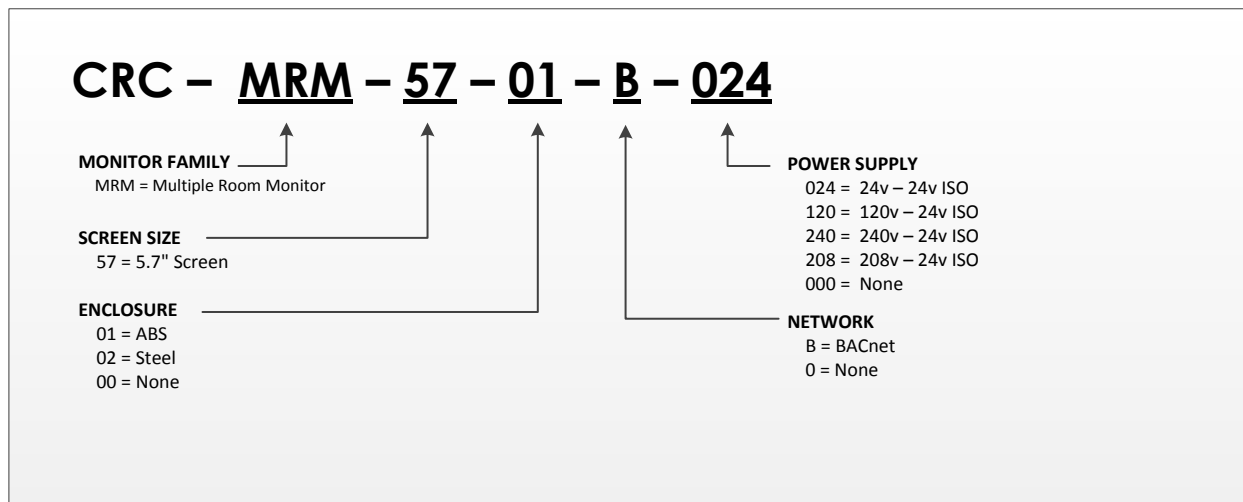
Connection: RS-485

Supported Protocol: BACnet MS/TP, Modbus, Johnson Controls Incorporated N2, and LON with optional card

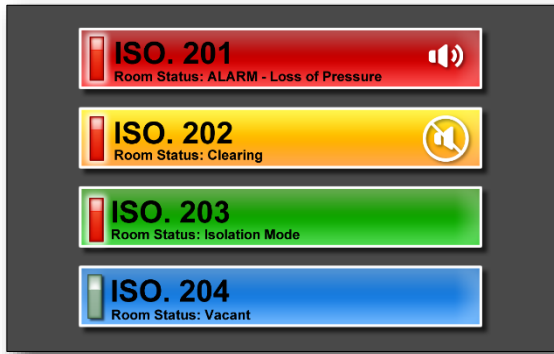
Network Debug: Network communication diagnostics

Network Setup: Baud rate, MAC address and instance ID configured via touch screen

ORDERING NOMENCLATURE:



ADDITIONAL SCREENS:



ADDITIONAL PRODUCT INFORMATION:

Please contact us at:

Web: www.criticalroom.com

Phone: 414.324.8978

Address: Critical Room Control
6643 West Mill Road
Milwaukee, WI 53218