

M-Series[®] M2000

Electromagnetic Flow Meter

DESCRIPTION

The Badger Meter M-Series[®] M2000 is the result of years of research and field use of electromagnetic flow meter technology. Based on Faraday's law of induction, these meters can measure almost any liquid, slurry or paste that has minimum electrical conductivity.

Designed, developed and manufactured under strict quality standards, the M-Series meter features sophisticated, processor-based signal conversion with accuracies of ± 0.25 percent. The wide selection of liner and electrode materials helps ensure maximum compatibility and minimum maintenance over a long operating period.

OPERATION

The flow meter is a stainless steel tube lined with a non-conductive material. Outside the tube, two DC powered electromagnetic coils are positioned opposing each other. Perpendicular to these coils, two electrodes are inserted into the flow tube. Energized coils create a magnetic field across the whole diameter of the pipe.

As a conductive fluid flows through the magnetic field, a voltage is induced across the electrodes. This voltage is proportional to the average flow velocity of the fluid and is measured by the two electrodes. The M2000 amplifier receives the detector's analog signal, amplifies that signal and converts it into digital information. At the processor level, the signal is analyzed through a series of sophisticated software algorithms. After separating the signal from electrical noise, it is converted into both analog and digital signals that are used to display rate of flow and totalization.

With no moving parts in the flow stream, there is no pressure lost. Also, accuracy is not affected by temperature, pressure, viscosity or density and there is practically no maintenance required.

ELECTRODES

When looking from the end of the meter into the inside bore, the two measuring electrodes are positioned at three o'clock and nine o'clock. M2000 mag meters have an "empty pipe detection" feature. This is accomplished with a third electrode positioned in the meter between twelve o'clock and one o'clock.

If this electrode is not covered by fluid for a minimum five-second duration, the meter will display an "empty pipe detection" condition, send out an error message, if desired, and stop measuring to maintain accuracy. When the electrode again becomes covered with fluid, the error message will disappear and the meter will continue measuring.

As an option to using grounding rings, a grounding electrode (fourth electrode) can be built into the meter during manufacturing to assure proper grounding. The position of this electrode is at five o'clock.



APPLICATION

The M2000 amplifier can be integrally mounted to the detector or can be remote-mounted, if necessary and has many advantages over other conventional technologies. The meter targets a variety of applications and is well suited for the diverse water and wastewater treatment industry. The M2000 meter can accurately measure fluid flow—whether the fluid is water or a highly corrosive liquid, very viscous, contains a moderate amount of solids, or requires special handling. Today, magnetic meters are successfully used in industries including food and beverage, pharmaceutical, water and wastewater, and chemical.

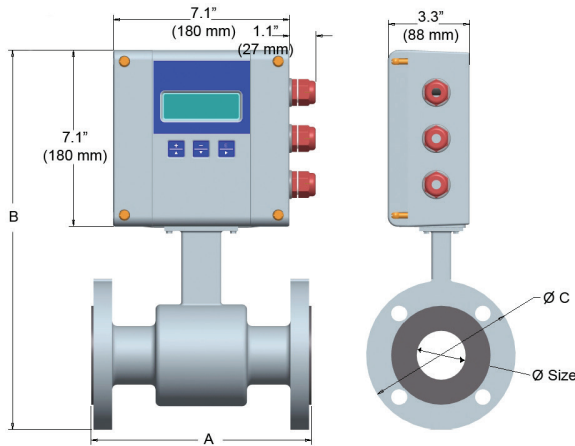
FEATURES

- Available in sizes 0.25...54" (6...1350 mm)
- Pulsed DC magnetic field for zero point stability
- Integral and remote signal converter availability
- Corrosion resistant liners for long life
- Measurement largely independent of flow profile
- User friendly programming procedure
- Empty pipe detection
- Power loss totalization
- Digital signal processor (32-bit)
- Non-volatile programming memory
- Rotating cover
- Calibrated in state-of-the-art facilities
- NSF listed
- CSA certified

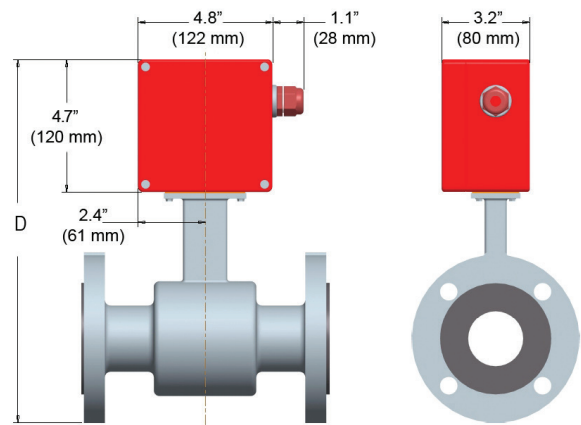
SPECIFICATIONS

Flow Range	0.10...39.4 ft/s (0.03...12 m/s)
Accuracy	± 0.25 percent of rate for velocities greater than 1.64 ft/s (0.50 m/s) ± 0.004 ft/s (± 1 mm/s) for velocities less than 1.64 ft/s (0.50 m/s)
Repeatability	± 0.1%
Power Supply	AC Power Supply: 85...265V AC; Typical Power: 20V A or 15W; Maximum Power: 26V A or 20W Optional DC Power Supply: 10...36V DC; Typical Power: 10W; Maximum Power: 14W
Analog Output	4...20 mA, 0...20 mA, 0...10 mA, 2...10 mA (programmable and scalable) Voltage sourced 24V DC isolated. Maximum loop resistance < 800 ohms.
Digital Output	Four total, configurable 24V DC sourcing active output (up to 2), 100 mA total, 50 mA each; sinking open collector output (up to four), 30V DC max, 100 mA each; AC solid-state relay (up to 2), 48V AC, 500 mA max
Digital Input	Max 30V DC (programmable – positive zero return, external totalizer reset or preset batch start)
Frequency Output	Scalable up to 10 kHz, open collector up to 1 kHz, solid-state relay
Misc Output	High/low flow alarm (0...100% of flow), error alarm, empty pipe alarm, flow direction, preset batch alarm, 24V DC supply, ADE
Communication	RS232 Modbus RTU; RS485 Modbus RTU, HART, Profibus DP require separate daughterboards
Pulse Width	Scalable up to 10 kHz, passive open collector up to 10 kHz, active switched 24V DC. Up to two outputs (forward and reverse). Pulse width programmable from 1...1000 ms or 50% duty cycle.
Processing	32-bit DSP
Empty Pipe Detection	Field tunable for optimum performance based on specific application
Excitation Frequency	1 Hz, 3.75 Hz, 7.5 Hz or 15 Hz (factory optimized to pipe diameter)
Noise Dampening	Programmable 0...30 seconds
Low Flow Cut-Off	Programmable 0...10% of maximum flow
Galvanic Separation	250V
Fluid Conductivity	Minimum 5.0 micromhos/cm
Fluid Temperature	With Remote Amplifier: PFA, PTFE & Halar 302° F (150° C) With Meter-Mounted Amplifier: Rubber 178° F, (80° C), PFA, PTFE & Halar 212° F (100° C)
Ambient Temperature	- 4...140° F (-20...60° C)
Relative Humidity	Up to 90 percent non-condensing
Flow Direction	Unidirectional or bidirectional two separate totalizers (programmable)
Totalization	Programmable/resettable
Units of Measure	Ounce, pound, liter, US gallon, imperial gallon, barrel, hectoliter, mega gallon, cubic meter, cubic feet, acre feet
Display	4 x 20 character display with backlight
Programming	Three-button, external manual or remote
Amplifier Housing	Cast aluminum, powder-coated paint
Detector Housing	Carbon steel welded
Pipe Spool Material	316 stainless steel
Flanges	Standard: ANSI B16.5 Class 150 RF cast steel; Optional: 300 lb cast steel, 316 stainless steel
Liner Material	PFA up to 3/8", PTFE 1/2...24", soft and hard rubber from 1...54", Halar® from 14...40"
Electrode Materials	Standard: Alloy C; Optional: 316 stainless steel, gold/platinum plated, tantalum, platinum/rhodium
Mounting	Meter mount or remote wall mount (bracket supplied)
Locations	Indoor and outdoor
Meter Enclosure Classification	NEMA 4X (IP66); Optional: Submersible NEMA 6P (IP67), remote amplifier required
Junction Box Enclosure Protection	For remote amplifier option: powder-coated die-cast aluminum, NEMA 4 (IP66)
Cable Entries	1/2" NPT cord grip (3)
Optional Stainless Steel Grounding Rings	Meter Size Thickness (of one ring) Up through 10" 0.135" 12...54" 0.187"
NSF Listed	Models with hard rubber liner, 4" size and up; PTFE liner, all sizes
Token Features	Data Logging (Blue token); Store/Restore (Red token); Firmware Upgrade (Black token)

DIMENSIONS IN INCHES (MILLIMETERS)



Meter with M2000 Amplifier



Meter with Junction Box for Remote M2000 Amplifier

Size		A		B		C		D		Est. Weight with M2000		Flow Range			
												LPM		GPM	
inch	mm	inch	mm	inch	mm	inch	mm	inch	mm	lb	kg	min	max	min	max
1/4	6	6.7	170	14.0	356	3.5	89	11.4	288	10	4.5	0.05	20	0.01	5
5/16	8	6.7	170	14.0	356	3.5	89	11.4	288	10	4.5	0.09	36	0.02	10
3/8	10	6.7	170	14.0	356	3.5	89	11.4	288	10	4.5	0.14	57	0.04	15
1/2	15	6.7	170	14.0	356	3.5	89	11.4	288	10	4.5	0.32	127	0.08	34
3/4	20	6.7	170	14.2	361	3.9	99	11.5	293	13	5.5	0.46	183	0.12	48
1	25	8.9	225	14.4	366	4.3	108	11.7	298	18	8.0	0.79	318	0.21	84
1-1/4	32	8.9	225	15.2	386	4.6	117	12.5	318	20	9.0	1.5	594	0.39	157
1-1/2	40	8.9	225	15.4	390	5.0	127	12.7	322	21	9.5	2.1	834	0.55	220
2	50	8.9	225	15.9	403	6.0	152	13.2	335	26	11.5	3.6	1431	0.94	378
2-1/2	65	11.0	280	17.1	434	7.0	178	14.4	366	52	23.5	6.2	2471	1.63	653
3	80	11.0	280	17.3	440	7.5	191	14.7	372	54	24.5	8.4	3344	2.21	883
4	100	11.0	280	18.4	466	9.0	229	15.7	398	56	25.5	12	4997	3.30	1320
5	125	15.8	400	19.6	498	10.0	254	16.9	430	58	26.0	20	8008	5.29	2115
6	150	15.8	400	20.6	524	11.0	279	17.9	456	60	27.0	30	11890	7.85	3141
8	200	15.8	400	22.5	572	13.5	343	20.4	518	86	39.0	59	23765	15.69	6278
10	250	19.7	500	26.8	681	16.0	406	24.1	613	178	81.0	95	37934	25.05	10021
12	300	19.7	500	28.9	734	19.0	483	26.2	666	207	94.0	127	50894	33.61	13445
14	350	19.7	500	30.8	782	21.0	533	28.2	716	258	117	173	69272	45.75	18300
16	400	23.6	590	33.7	856	23.5	597	31.0	788	306	139	226	90477	59.75	23902
18	450	23.6	590	35.0	890	25.0	635	32.4	822	400	181	286	114511	75.63	30250
20	500	23.6	590	38.2	969	27.5	699	35.5	901	493	224	353	141371	93.37	37346
22	550	23.6	590	39.6	1005	29.5	749	36.9	937	523	237	428	171059	112.97	45189
24	600	23.6	590	42.2	1071	32.0	813	39.5	1003	552	251	509	203574	134.45	53779
28	700	23.6	590	46.2	1173	36.5	927	44.0	1118	648	294	693	277089	183.00	73199
30	750	31.5	800	48.3	1228	39.0	984	45.7	1161	702	319	795	318087	210.07	84030
32	800	31.5	800	52.2	1325	41.4	1015	49.5	1257	768	349	905	361912	239.02	95607
36	900	31.5	800	55.3	1405	46.0	1168	54.1	1374	848	385	1145	458045	302.51	121003
40	1000	31.5	800	60.0	1525	50.2	1230	57.4	1457	922	419	1414	565487	373.46	149386
42	1050	36.0	914	66.0	1675	53.0	1346	63.4	1610	1198	499	1559	623449	411.74	164698
48	1200	39.4	1000	69.9	1775	59.4	1455	67.2	1707	1208	549	2036	814301	537.79	215116
54	1350	39.4	1000	75.4	1915	66.2	1681	73.0	1927	1854	619	2576	1030599	680.64	272255

Control. Manage. Optimize.

M-SERIES is a registered trademark of Badger Meter, Inc. Other trademarks appearing in this document are the property of their respective entities. Due to continuous research, product improvements and enhancements, Badger Meter reserves the right to change product or system specifications without notice, except to the extent an outstanding contractual obligation exists. © 2015 Badger Meter, Inc. All rights reserved.

www.badgermeter.com

The Americas | Badger Meter | 4545 West Brown Deer Rd | PO Box 245036 | Milwaukee, WI 53224-9536 | 800-876-3837 | 414-355-0400
México | Badger Meter de las Americas, S.A. de C.V. | Pedro Luis Ogazón N°32 | Esq. Angelina N°24 | Colonia Guadalupe Inn | CP 01050 | México, DF | México | +52-55-5662-0882
Europe, Middle East and Africa | Badger Meter Europa GmbH | Nurtinger Str 76 | 72639 Neuffen | Germany | +49-7025-9208-0
Europe, Middle East Branch Office | Badger Meter Europe | PO Box 341442 | Dubai Silicon Oasis, Head Quarter Building, Wing C, Office #C209 | Dubai / UAE | +971-4-371 2503
Czech Republic | Badger Meter Czech Republic s.r.o. | Maříkova 2082/26 | 621 00 Brno, Czech Republic | +420-5-41420411
Slovakia | Badger Meter Slovakia s.r.o. | Racianska 109/B | 831 02 Bratislava, Slovakia | +421-2-44 63 83 01
Asia Pacific | Badger Meter | 80 Marine Parade Rd | 21-06 Parkway Parade | Singapore 449269 | +65-63464836
China | Badger Meter | 7-1202 | 99 Hangzhong Road | Minhang District | Shanghai | China 201101 | +86-21-5763 5412

Legacy Document Numbers: MAG-DS-00176-EN and MAG-DS-00178-EN