



**Industrial Brush Cutter
(standard flow 16-25 gpm)
(high flow up to 60 gpm)**

Operation and Maintenance Manual

Standard Flow Closed Front Starting Serial Number

Standard Flow Open Front Starting Serial Number OFM000952843

High Flow Closed Front Starting Serial Number

High Flow Open Front Starting Serial Number OFM00060130

Part # AU-01-1455

Revision Date: July 2020

Accessories Unlimited, LLC

1457 Eagle Street

Detroit Lakes, MN 56501 218-844-8622

www.a-u-llc.com

ABOUT THIS OWNER'S MANUAL	2
Hazard Notices	2
Terminology	2
SAFETY	2
Safety Notices.....	2
Modifications to Equipment.....	2
ABOUT THE BRUSH CUTTER ATTACHMENT	3
Attaching the Brush Cutter to the Carrier Machine.....	3
Removing the Brush Cutter from the Carrier Machine	3
BRUSH CUTTER OPERATION	3
EQUIPMENT INSPECTION SCHEDULE	4
Daily Inspection.....	4
Weekly Inspection.....	5
Monthly Inspection	5
Inspection Checklist	5
Safety Chain Placement.....	6
PARTS DIAGRAMS AND LISTS	7
Brush Cutter - Diagram A.....	7
Brush Cutter – Parts List A.....	7
Drive Assembly - Diagram B	9
Drive Assembly - Parts List B.....	11
Flywheel Assembly - Diagram C	13
Flywheel Assembly - Parts List C.....	13
Warning Decal Placement – Diagram D	14
Warning Decals - Parts List D	14
Warning Decal Graphics	15
TORQUE SPECIFICATION TABLE	15
General Specification Table	15
Accessories Unlimited WARRANTY	17

ABOUT THIS OWNER'S MANUAL

This manual contains information about the usage and maintenance required for the equipment. This document must be available for review by the operator before using the attachment to ensure proper safety, maintenance, and usage.

Hazard Notices

The following hazard notices are used in this document:

NOTE: Notes are used to indicate important information. This information may be repeated in other areas of the manual.

CAUTION: Cautions are used to indicate a potentially hazardous situation, which, if not avoided, may result in damage to the equipment or other property.

WARNING: Warnings are used to indicate a potentially hazardous situation, which, if not avoided, could result in serious injury or death.

DANGER: Danger is used to indicate a potentially hazardous situation, which, if not avoided, will result in serious injury or death.

Terminology

Carrier Machine: The brush cutter can be attached to many different pieces of equipment; therefore, the term "carrier machine" will be used. A carrier machine is any equipment, tractor, or skid steer providing power to the attachment.

SAFETY

Safety Notices

Before operating or conducting maintenance on this equipment, it is important to wear proper protection. Recommended minimum safety equipment when operating and maintaining this equipment includes earplugs, eye protection, and a hard hat. A heavy-duty Lexan door or cab is also recommended.

NOTE: Additional safety equipment may be required depending on the operating environment and worksite conditions.

Only qualified and trained personnel should operate, maintain, and service this attachment. Skid Pro recommends that you inspect this equipment regularly for leaks, cracks, or other conditions that may impair proper usage of the equipment. Verify that all repairs have been completed and inspected prior to using the attachment under load.

It is the responsibility of the user to follow all local, state, and federal safety regulations. Improper use of this equipment may result in personal injury, property damage, and/or damage to the equipment.

NOTE: Fasten the lift limiter safety chain to your machine with very little slack. See Safety Chain Placement section.

DANGER: **DO NOT RAISE THE BACK OF THE CUTTER MORE THAN 12" OFF THE GROUND WHILE OPERATING THE ATTACHMENT. RAISING THE CUTTER DURING OPERATION MAY RESULT IN SERIOUS INJURY OR DEATH.**

Modifications to Equipment

Any modifications made to this equipment may void any warranty and relieve the manufacturer of liability of any resulting injury or damage.

ABOUT THE BRUSH CUTTER ATTACHMENT

The brush cutter attachment is intended for use as a brush cutting and clearing tool. The primary use of the brush cutter attachment includes land clearing, landscaping, and grounds maintenance. Use of this equipment in any other manner is contrary to the intended use of the attachment.

Attaching the Brush Cutter to the Carrier Machine

NOTE: Before attempting to attach the brush cutter to the carrier machine, verify that all hydraulic couplings are compatible.

WARNING: Improper attachment to the carrier machine may cause personal injury.

CAUTION: All hydraulic connections must be clean and free of debris before making any connection.

1. Place the brush cutter attachment on a level surface.
2. Position and align the carrier machine to the rear of the attachment, within proximity of the front of carrier machine.
3. Insert and connect the carrier machine into the attachment.
4. Connect the hydraulic lines from the attachment to the carrier machine.
5. Close latches (or other locking mechanisms) to secure the attachment to the carrier machine.
6. Using the carrier machine, raise the attachment and move the attachment to ensure hydraulic lines are clear of air and operate properly.

CAUTION: Hydraulics should operate in an even and smooth manner. Hydraulic movement that is not even and smooth may indicate that air is in the hydraulic lines.

7. Lower the attachment to ground level.
8. Inspect that the attachment is mounted properly and securely. If the attachment does not meet this requirement, follow the instructions to remove the brush cutter and re-attach using the instructions above.

Removing the Brush Cutter from the Carrier Machine

WARNING: Improper disconnection may result personal injury or damage to the attachment and carrier machine.

CAUTION: All hydraulic connections must be clean and free of debris before disconnection.

1. Using the carrier machine, lower the attachment to the ground.
2. To prevent contamination, remove any dirt and debris from the couplings. Disconnect the hydraulic connection between the attachment and the carrier machine.

NOTE: Hydraulic connections must be disconnected before disengaging latches to prevent damage to the carrier machine or the attachment.



3. Disengage the carrier machine latches (or other locking mechanisms) from the attachment.
4. Move the carrier machine from the attachment.

BRUSH CUTTER OPERATION

- Operate this attachment with a carrier machine and protective door.
- Wear proper safety equipment as required by working conditions and local, state, and Federal laws.

- Never operate the brush cutter within 200 feet of people, animals, or damageable property. Clear the area of objects that could become projectiles, such as rocks, bottles, and construction debris.
- Never operate the brush cutter with the back more than 12” off the ground or where your view is obstructed.
- Never operate the brush cutter with any guards removed, including the motor cover.
- **Never operate the brush cutter without the safety chain securely fastened to your carrier machine. See Safety Chain Placement section.**
- Disengage the brush cutter and shut off the engine before leaving the cab of your machine.
- Do not place hands or feet near the brush cutter while the machine is running.
- **Standard Flow Brush Cutters are rated for 16-25 GPM with a maximum PSI of 3500.**
- **High Flow Brush cutters are rated for up to 60 GPM with a maximum PSI of 4500.**

DANGER: Keep all body parts away from the brush cutter when in use.

	<p>Eye and Ear Protection: To help ensure your safety as a designated operator wear eye and ear protection.</p>
	<p>Safety Helmet: To help ensure your safety as a designated operator wear a safety helmet.</p>

EQUIPMENT INSPECTION SCHEDULE

We recommend that you inspect the equipment for damage and wear before every use. Use the following list as a guideline during equipment inspection.

WARNING: Do not use hands to check for hydraulic leaks. Keep body parts away from leaking hydraulic lines and couplings that are under pressure.

NOTE: Shut off the carrier machine and disengage the brush cutter before performing any maintenance.

Daily Inspection

Inspect the brush cutter by performing a walk around daily before and after use. Use the following inspection checklist as a guideline.

- ✦ After the brush cutter has been attached, check that all latches or locks are closed.
- ✦ Check that all hydraulic fittings are tight and free of leaks.
- ✦ Check sight glass on direct drive to ensure presence of oil. If needed add 80/90 weight gear oil. If oil is not present or very low check drive train for leaks.
- ✦ Check that all hydraulic lines are free of leaks, holes, or cracks. Replace as required.
- ✦ Check all hardware connections to the carrier machine for damage or fatigue such as cracks or other structural flaws.
- ✦ Inspect the safety chain for damage.
- ✦ Inspect blades and bolts for wear or damage
- ✦ Inspect all drive train bolts (motor, mount, housing, and blade) for loosening. Tighten as needed.
- ✦ Check for wire or debris under the deck, remove any present.

- ✦ Clean debris from the motor area.
- ✦ Check that all guards and safety equipment are in good condition.

Weekly Inspection

- ✦ Check blade bolts for correct torque (500 foot/pounds).
- ✦ Check all bolts for tightness.
- ✦ Inspect the deck for cracks, bends, or damage.
- ✦ Inspect discharge chains and replace any missing or broken chains.

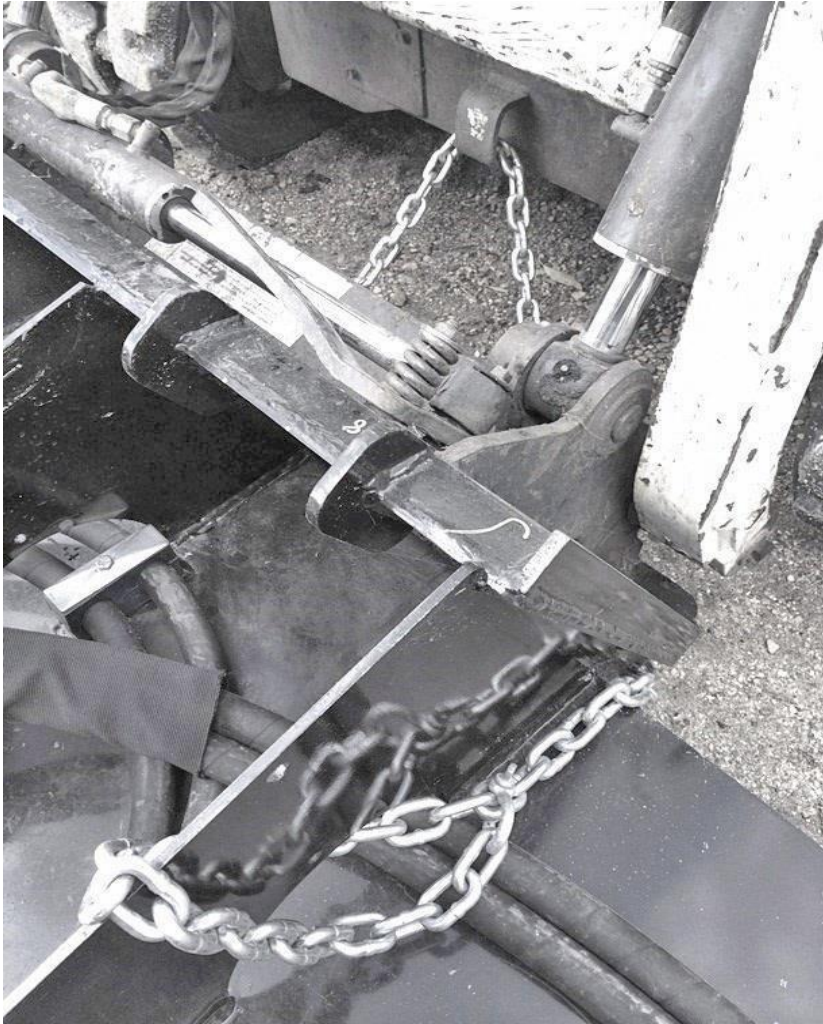
Monthly Inspection

- ✦ Inspect the entire drive system, including motor, and bearing housing.
- ✦ Inspect the blades for cracks, bends, or excessive wear.
- ✦ Check skid plates for wear.
- ✦ Inspect the bolts on the motor. Tighten if required.
- ✦ Check that all bolts are tight.

Inspection Checklist

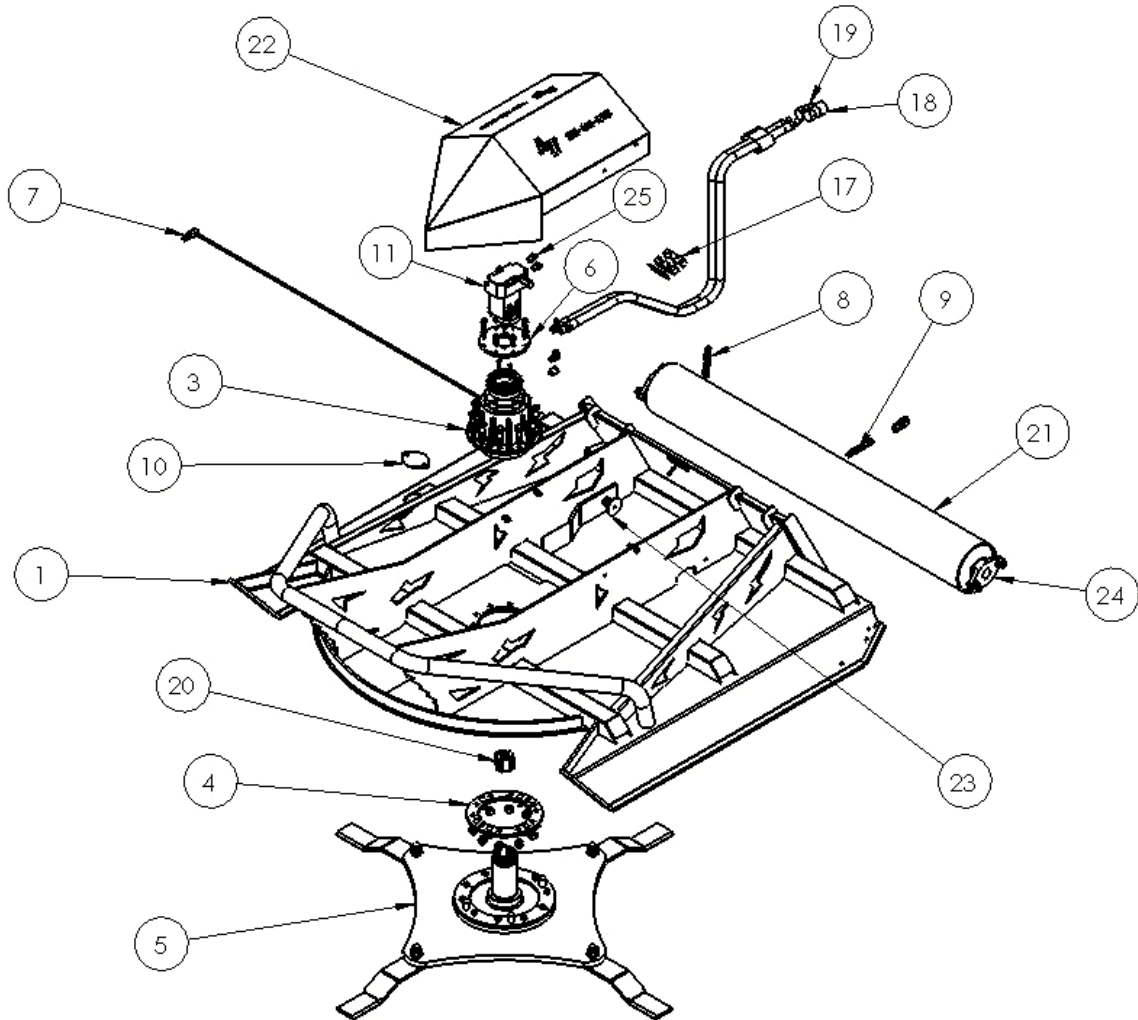
- Are all safety notices and warning stickers in proper locations and visible?
- Are all safety guards properly installed and in good condition?
- Are there any visible hydraulic leaks?
- Is there oil visible in sight glass?
- Is there any wire or vines wound under the deck?
- Are any cracks visible in brush cutter structure?
- Are the blades worn, bent, or broken?
- Has all debris been removed from the motor area?
- Has the carrier machine been properly inspected for hydraulic leaks and proper tire inflation?
- Has the carrier machine been properly maintained?

Safety Chain Placement



PARTS DIAGRAMS AND LISTS

Brush Cutter - Diagram A



Brush Cutter – Parts List A

ITEM NO.	PART NUMBER	DESCRIPTION	QTY.
1	612-2-0020-3	Body, Open Front	1
1	612-2-0006-3	Body, Closed Front (Not Shown)	1
3	612-2-0005-2	Bearing Housing, Assembled	1
4	612-2-0008-2	Wire Protection, Upper	2
5	612-2-0012-3	Flywheel Assembly	1

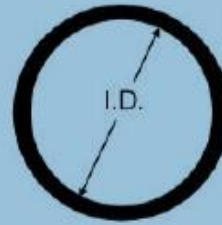
6	612-3-0111-20	Motor Mounting Plate Standard Flow	1
7	612-2-0011	Chain Rod	1
8	612-3-0045	Debris Chain (Not Available with Roller Option)	46
9	612-3-0046	Safety Chain	1
10	612-3-0025	Inspection Cover	1
11	612-3-0060	Motor, Standard Flow	1
14	612-2-0013	Hose Assembly	2
15	612-3-0067	Hose Sleeve	1
17	612-3-0069	Hose Clamp	1
18	612-3-0070	Female Quick Coupler	1
19	612-3-0071	Male Quick Coupler	1
20	612-3-0110-20	Hub, Standard Flow	1
21	612-2-0034	Roller (Optional)	1
22	AU-01-1455	Cover	1
23	612-3-0170	Blade Shipping Retainer (Optional)	1
24	612-3-0160	Bearing (Optional)	2
25	612-3-0099	Adaptor Fitting	2

SAE O-Ring

SAE Straight Thread Port O-Ring

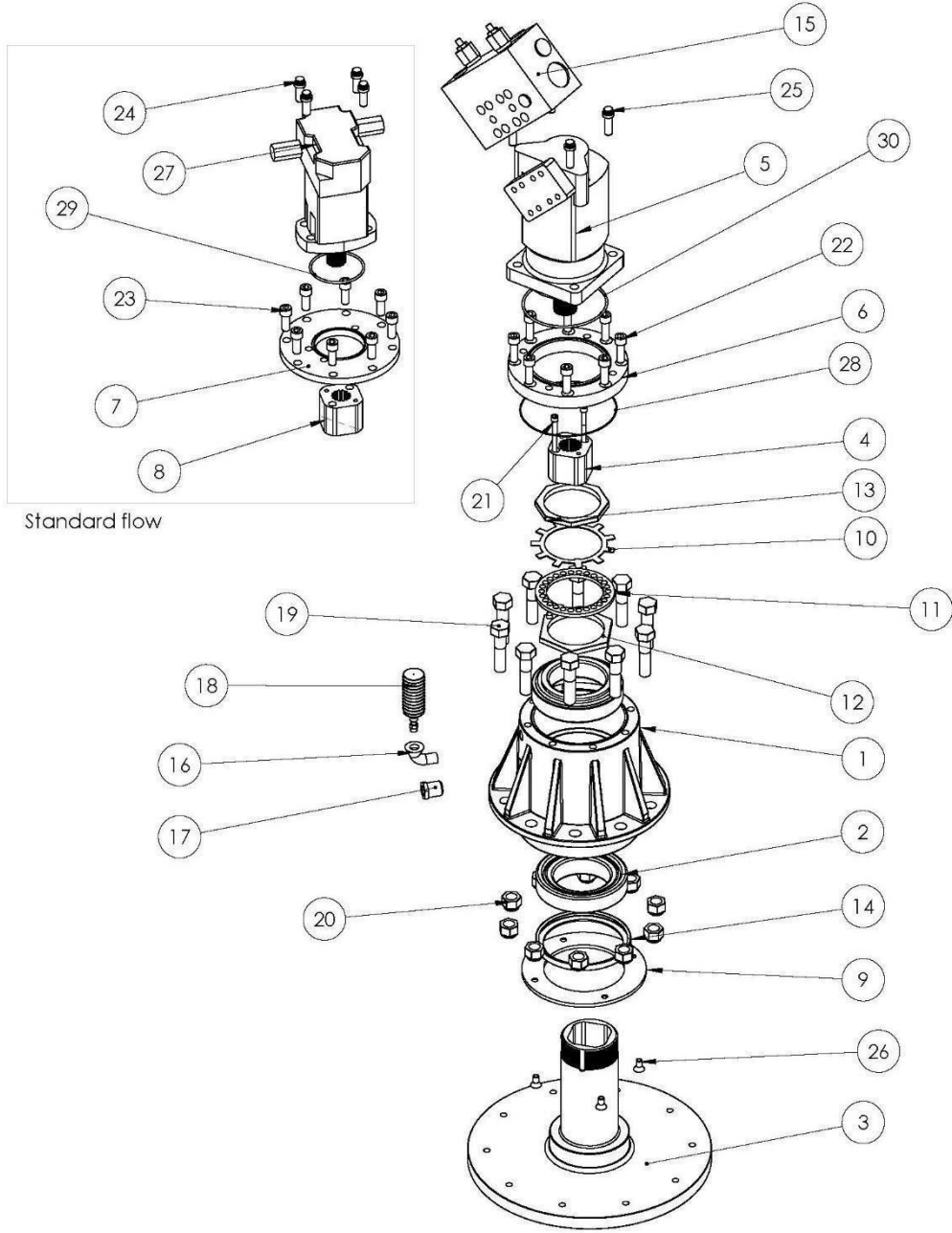
Specify size and compound

Example: 3-906 NBR (standard NBR)



TUBE FITTING PART #	FITTING DASH SIZE	I.D. (in.)	W (in.)	Material		
				NBR*	FKM**	N0756***
3-902	2	0.24	0.06	•	•	
3-903	3	0.30	0.06	•	•	
3-904	4	0.35	0.07	•	•	•
3-905	5	0.41	0.07	•	•	
3-906	6	0.47	0.08	•	•	•
3-908	8	0.64	0.09	•	•	•
3-910	10	0.76	0.10	•	•	
3-912	12	0.92	0.12	•	•	
3-914	14	1.05	0.12	•	•	
3-916	16	1.17	0.12	•	•	
3-920	20	1.48	0.12	•	•	
3-924	24	1.72	0.12	•	•	
3-932	32	2.34	0.12	•	•	

Drive Assembly - Diagram B



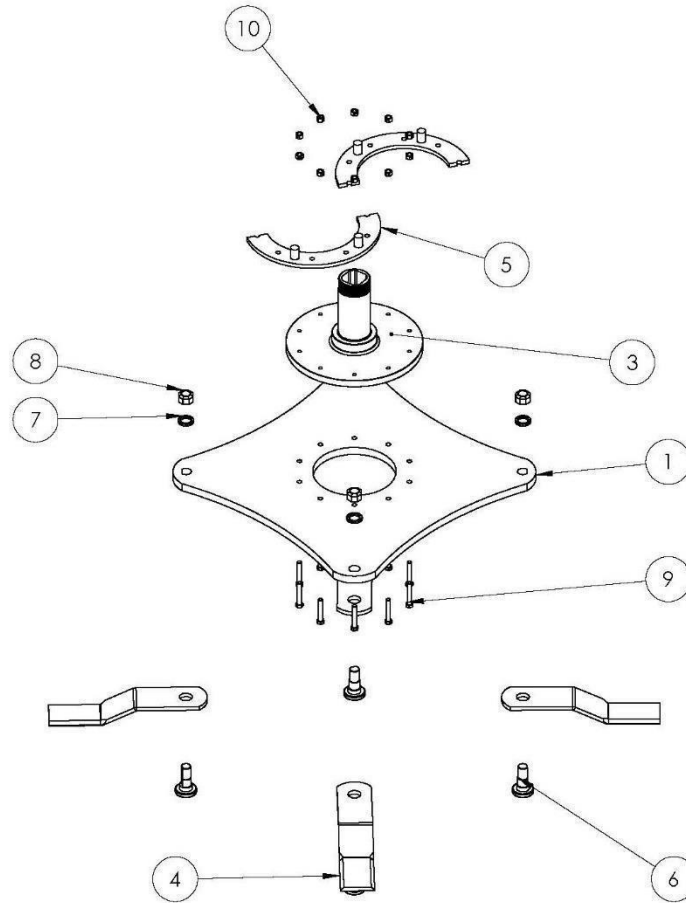
**612-2-0005-2
Drive Assembly**

Drive Assembly - Parts List B

ITEM #	PART NUMBER	DESCRIPTION	QTY.
1	612-2-0024	Bearing Housing	1
2	612-2-0030	3.750 Bearing & Race	2
3	612-2-0025	Shaft	1
4	612-3-0110	Hub, high Flow	1
5	612-3-0060-HF	Motor Assembly, High Flow	1
6	612-3-0111	Motor Mounting Plate, High Flow	1
7	612-3-0111-20	Motor Mounting Plate Standard Flow	1
8	612-3-0110-20	Hub, Standard Flow	1
9	612-3-0063-2	Seal Protection	1
10	612-3-0051-2	Jam Nut Retainer	1
11	612-3-0050-2	Lock Nut Retainer	1
12	612-3-0096-2	Lock Nut	1
13	612-3-0095-2	Jam Nut	1
14	RTD-52625TA-H	Seal	1
15	AU-02-2052	Relief Manifold Assembly, (High Flow Only)	1
16	612-3-0057	3/8" NPT ST 90 Fitting	1
17	612-3-0055	Sight Glass	1
18	612-3-0056	Expansion Bellows	1

19	HDW-1-2 13 X3.00 HH GR8	1/2-13x3.00 HH GR8 Tap Bolt	10
20	HDW-1-2 13 Nylock Nut	1/2 Nylock Nut	10
21	HDW-5-16 24 x2.50 SHCS	5/16 -24 X2 1/2 SHCS	2
22	HDW-1-2 20 x 1.50 SHCS	1/2-20 X1 1/2 SHCS (High Flow)	8
23	HDW-1-2 20 x 1.25 SHCS	1/2-20 X 1 1/4 SHCS (standard Flow)	8
24	HDW-1-2 20 x 1.25 Ferry Cap Screw	1/2-20 X 1 1/4 Ferry Cap Screw (Standard Flow)	4
25	HDW-1-2 20 x 1.50 Ferry Cap Screw	1/2-20 X 1 1/2 Ferry Cap Screw (High Flow)	4
26	HDW-3-8 16 X .750 FHSCS	3/8-16 X 3/4 FHSCS	4
27	612-3-0060	Motor, Standard Flow	1
28	612-3-0133	O-ring (Motor Mounting Plate)	1
29	612-3-0132	O-ring (Standard Flow Motor)	1
30	612-3-0134	O-ring (High Flow Motor)	1

Flywheel Assembly - Diagram C



612-2-0012-3

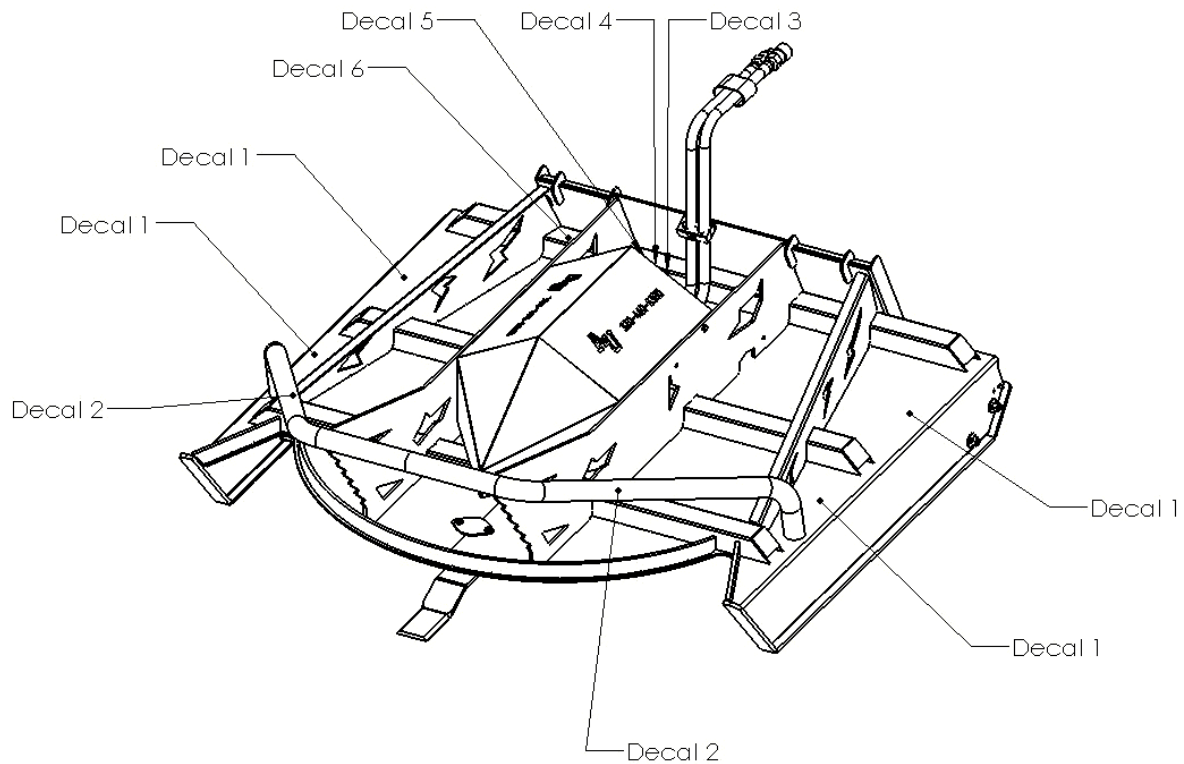
FlyWheel Assembly

Flywheel Assembly - Parts List C

ITEM #	PART NUMBER	DESCRIPTION	QTY.
1	612-3-0147	Fly Wheel Plate	1
1	612-2-0037	Mulcher Flywheel Optional, (Not Shown)	1
3	612-2-0025	Drive Shaft	1
4	612-3-0013	Blade	4
5	612-2-0007-2	Wire Protection, Lower	2
6	612-3-0048	Blade Bolt	4
7	HDW-LDZ113	1 1/8 Lock Washer	4
8	HDW-HNGRC 113 12	1 1/8-12 Hex Nut Top Lock	4

9	HDW-1-2 13 X3.00 GR8 Tap bolt	1/2-13x3.00 HH GR8 Tap Bolt	10
10	HDW-1-2 13 Rev Lock nut	1/2-13 Rev Lock Nut	10

Warning Decal Placement – Diagram D



Warning Decals - Parts List D

ITEM #	PART NAME	DESCRIPTION	QTY.
1	Warning Decal	Warning Keep Hands and Feet Away	4
2	Warning Decal	DANGER Debris Discharge Area Stay Back 200 Feet	2
3	Warning Decal	Do Not Operate Without Safety Chain In Place	1
4	Warning Decal	High Pressure Fluid Hazard	1
5	Warning Decal	Read Owner's Manual Before Operating	1
6	Identification Decal	Model #/Serial #	1

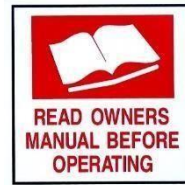
Warning Decal Graphics



Decal 1
Decal 2
Decal 3



Decal 4



Decal 5



Decal 6

TORQUE SPECIFICATION TABLE

General Specification Table

Use the following torques when special torques are not given. Note: These values apply to fasteners as received from supplier, when dry. These values do not apply if lubricants are used.

BOLT SIZES (SAE)	TORQUE	
	POUNDS-FOOT (NC Threads) Grade 5 / Grade 8	POUNDS-FOOT (NF Threads) Grade 5 / Grade 8
1/4	7/11	9/13
5/16	15/22	17/24
3/8	30/40	35/45
7/16	45/65	50/70
1/2	70/95	75/110
9/16	100/140	110/155
5/8	135/190	155/215
3/4	240/340	270/380
7/8	360/550	390/610
1	530/820	590/890
1 1/8	800/1440	880/1500
1 1/4	1240/2000	1364/2200
1 3/8	1680/2720	1848/2800
1 1/2	2200/3500	2420/3600

BOLT SIZES (METRIC)	TORQUE	
MILLIMETERS	POUNDS-FOOT	NEWTONS-METER
M6	10	13
M8	22	30
M10	40	54
M12	59	80
M14	93	126
M16	130	176
M18	168	228
M20	205	278

ACCESSORIES UNLIMITED LLC WARRANTY

Accessories Unlimited LLC warrants to its authorized dealers who in turn warrant to the original owner, that each new Accessories Unlimited LLC attachment will be free from proven defects in material and workmanship for twelve (12) months after delivery by the authorized Accessories Unlimited LLC dealer to the original buyer.

During the warranty period, the authorized Accessories Unlimited LLC dealer shall repair or replace, at Accessories Unlimited LLC's option, without charge for parts and labor, any part of the Accessories Unlimited LLC product which fails because of defects in material or workmanship. The owner shall provide the authorized Accessories Unlimited LLC dealer with prompt written notice of the defect and allow reasonable time for replacement or repair. Accessories Unlimited LLC may, at its option, require failed parts to be returned to the factory. Travel time of mechanics and transportation of the Accessories Unlimited LLC product to the authorized Accessories Unlimited LLC dealer for warranty work are the responsibility of the owner. The remedies provided in this warranty are exclusive.

This warranty does not cover replacement of scheduled service items and high wear items. The owner shall rely solely on the warranty, if any, of the respective manufacturers thereof. This warranty does not cover damages resulting from abuse, accidents, alterations, use of the Accessories Unlimited LLC product as an attachment on any equipment not approved by Accessories Unlimited LLC, air flow obstructions, or failure to maintain or use the Accessories Unlimited LLC product according to the instructions applicable to it.

THIS WARRANTY IS EXCLUSIVE AND IN LIEU OF ALL OTHER WARRANTIES AND CONDITIONS, EXCEPT THE WARRANTY OF TITLE, ACCESSORIES UNLIMITED LLC DISCLAIMS ALL OTHER WARRANTIES AND CONDITIONS, EXPRESS OR IMPLIED, INCLUDING ANY IMPLIED WARRANTIES OR CONDITIONS OF MERCHANTABILITY OR FITNESS FOR A PARTICULAR PURPOSE. IN NO EVENT SHALL ACCESSORIES UNLIMITED LLC OR THE AUTHORIZED ACCESSORIES UNLIMITED LLC DEALER BE LIABLE FOR ANY SPECIAL, INCIDENTAL, INDIRECT OR CONSEQUENTIAL DAMAGES, WHATSOEVER, INCLUDING, BUT NOT LIMITED TO, LOSS OR INTERRUPTION OF BUSINESS, LOST PROFITS, OR LOSS OF MACHINE USE, WHETHER BASED ON CONTRACT, WARRANTY, TORT, NEGLIGENCE, STRICT LIABILITY, STATUTE OR OTHERWISE, EVEN IF ACCESSORIES UNLIMITED LLC OR THE AUTHORIZED ACCESSORIES UNLIMITED LLC DEALER HAS BEEN ADVISED OF THE POSSIBILITY OF SUCH DAMAGES. THE TOTAL LIABILITY OF ACCESSORIES UNLIMITED LLC AND THE AUTHORIZED ACCESSORIES UNLIMITED LLC DEALERS WITH RESPECT TO THE PRODUCT AND SERVICES FURNISHED HEREUNDER SHALL NOT EXCEED THE PURCHASE PRICE OF THE PRODUCT UPON WHICH SUCH LIABILITY IS BASED.



1457 Eagle Street
Detroit Lakes, MN 56501

Phone: 218-844-8622
www.a-u-llc.com
sales@a-u-llc.com