



## Soil Conditioner

### Operation and Maintenance Manual



Revision Date: AUGUST 2021

**Accessories Unlimited LLC**

1457 Eagle Street  
Detroit Lakes, MN 56501  
218-844-8622

[www.a-u-llc.com](http://www.a-u-llc.com)

**TABLE OF CONTENTS**

**INTRODUCTION..... 2**  
    To the Purchaser ..... 2  
    Illustrations..... 2  
    Direction Reference ..... 2  
    Serial Plate..... 2  
**SAFETY PRECAUTIONS ..... 3**  
    Before Operation..... 3  
        Children..... 3  
        Notice..... 4  
    Safety Precautions – Soil Conditioner..... 4  
**SOIL CONDITIONER OPERATION..... 5**  
**THE SKID STEER..... 6**  
    General Information ..... 6  
    Operating the Skid Steer ..... 6  
    During Operation..... 7  
    Roll-Over Protective Structure (ROPS) During Operation..... 7  
**MAINTENANCE..... 8**  
**TRANSPORTING..... 9**  
**STORAGE ..... 9**  
**OPERATION..... 10**  
    General Preparation..... 10  
    Engine Speed ..... 10  
    Engaging the Drive Mechanism ..... 10  
**SOIL CONDITIONER PARTS..... 10**  
    Introduction ..... 10  
    Soil Conditioner Assembly – Detailed Parts Diagram A..... 11  
    Soil Conditioner Assembly - Parts List A..... 12  
    Warning Decals Diagram B..... 13  
    Warning Decals - Parts List B ..... 13  
    Soil Conditioner Block Assembly – Detailed Parts Diagram C ..... 14  
    Soil Conditioner Block Assembly – Parts List C ..... 14  
    Soil Conditioner Block Assembly – Hose Parts List ..... 14  
        Manual Angle ..... 14  
        Hydraulic Angle - Optional..... 15  
    Soil Conditioner Hub Assembly – Detailed Parts Diagram D ..... 16  
    Soil Conditioner Hub Assembly – Parts List D ..... 16  
**AU ATTACHMENT WARRANTY ..... 18**

# INTRODUCTION

## To the Purchaser

All products are designed to give safe, dependable service if they are operated and maintained per instructions. Read and understand this manual before operation.

This manual has been prepared to assist the owner and operators in the safe operation and suitable maintenance of the equipment. The information was applicable to products at the time of manufacture and does not include modifications made afterwards.

Read and understand this operator's manual before attempting to put equipment into service. Familiarize yourself with the operating instructions and all the safety recommendations contained in this manual and those labeled on the equipment and on the skid steer. Follow the safety recommendations and make sure that those with whom you work follow them.

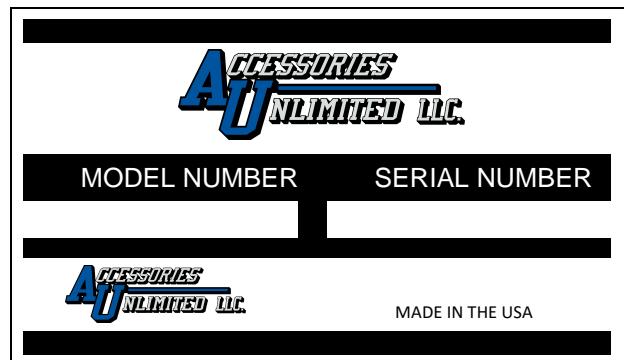
## Illustrations

The illustrations may not necessarily reproduce the full detail and the exact shape of the parts or depict the actual models, but are intended for reference only.

## Direction Reference

All references to right and left, forward or rearward, are from the operator's seat, facing the steering wheel.

## Serial Plate



To assist your dealer in handling your needs, please record hereafter the model number and the serial number of your equipment and skid steer. It is also advisable to supply them to your insurance company. It will be helpful in the event that an equipment or skid steer is lost or stolen.

### SKID STEER

### IMPLEMENT

MODEL: \_\_\_\_\_

SERIAL NUMBER: \_\_\_\_\_

DATE OF PURCHASE: \_\_\_\_\_

DEALER NAME: \_\_\_\_\_

## SAFETY PRECAUTIONS



### SAFETY FIRST

This symbol, the industry's "Safety Alert Symbol", is used throughout this manual and on labels on the machine itself to warn of the possibility of personal injury. Read these instructions carefully. It is essential that you read the instructions and safety regulations before you attempt to assemble or use this unit.



**DANGER:** Indicates an immediate hazardous situation which, if not avoided, will result in death or serious injury.



**WARNING:** Indicates a potentially hazardous situation which, if not avoided, will result in death or serious injury.



**CAUTION:** Indicates a potentially hazardous situation which, if not avoided, may result in minor or moderate injury.

**IMPORTANT:** Indicates that equipment or property damage could result if instructions are not followed.

**NOTE:** Gives helpful information.

All products are designed to give safe, dependable service if they are operated and maintained according to instructions. **Read and understand this manual before operation.** It is the owner's responsibility to be certain anyone operating this product reads this manual, and all other applicable manuals to become familiar with this equipment and all safety precautions. Failure to do so could result in serious personal injury or equipment damage. If you have any questions, consult your dealer.

### Before Operation

#### Children

Tragic accidents can occur if the operator is not alert to the presence of children. Children are generally attracted to machines and work being done. Never assume children will remain where you last saw them.

1. Keep children out of the operating area and under the watchful eye of another responsible adult.
2. Be alert and turn machine off if children enter the work area.
3. Before and when backing, look behind for small children, use care when approaching blind corners.
4. Never carry children while operating the machine. They may fall off and be seriously injured or interfere with the safe operation of the machine.
5. Never allow children to play on the machine or attachment even when they are turned off.
6. Never allow children to operate the machine even under adult supervision.

## **Notice**

A safe operator is the best assurance against accidents. All operators, no matter how experienced they may be, should read this operator's manual and all other related manuals before attempting to operate the equipment. Please read the following section and pay particular attention to all safety recommendations contained in this manual and those labeled on the equipment and on the skid steer.

## **Safety Precautions – Soil Conditioner**

1. Read and understand this operator's manual and skid steer operator's manual. Know how to operate all controls and how to stop the unit and disengage the controls quickly.
2. Never wear loose, torn, or bulky clothing around the skid steer and the soil conditioner. It may catch on moving parts or controls, causing injury.
3. Before and during use, thoroughly inspect the area where the equipment is to be used and remove all objects that may cause damage to the equipment.
4. Set transmission to neutral and disengage clutch, if equipped, before starting the engine.
5. Do not operate equipment without protective clothing.
6. Never attempt to make any adjustments while engine is running. Read this manual carefully to acquaint yourself with the equipment as well as the skid steer operator's manual. Working with unfamiliar equipment can lead to accidents. Be thoroughly familiar with the controls and proper use of the equipment.
7. Keep all safety guards in place and verify hardware for proper tightening.
8. Check for moving parts excessive wear regularly. Replace worn parts with genuine parts.
9. Replace all missing, illegible, or damaged safety and warning decals. See list of decals in operator's manual.
10. Keep safety decals clean of dirt and grime.
11. Do not modify or alter this equipment or any of its components, any equipment or any of its components or any equipment function without first consulting your dealer.
12. Use of counterweights is recommended. Weights provide the necessary balance to improve stability, traction and steering. Use only those recommended by your dealer.

## SOIL CONDITIONER OPERATION

1. Before leaving the skid steer unattended, take all possible precautions. Park the skid steer/soil conditioner on level ground, place the transmission in neutral, set the parking brake, disengage the Aux hydraulics, lower the equipment to the ground, place all levers including auxiliary control levers in neutral, shut off the engine and remove the ignition key.
2. Prior to operation mark all curbs, pipes, etc. that cannot be moved.
3. Be sure the Aux hydraulics switch/lever is in OFF position before starting engine.
4. Exercise extreme caution when operating on or crossing a gravel drive, walks, or roads. Stay alert for hidden hazards or traffic.
5. Do not carry passengers.
6. Keep clear of moving parts.
7. Park the skid steer/soil conditioner on level ground, place the transmission in neutral, set the parking brake, disengage the Aux hydraulics, lower the equipment to the ground, place all control levers in neutral, shut off the engine, remove the ignition key and allow the moving parts to stop BEFORE and making any repairs, adjustments or inspections.
8. If the soil conditioner starts to vibrate abnormally, disengage the Aux hydraulics, stop the engine immediately and check for cause. Excessive vibration is generally a sign of trouble.
9. Do not run the engine indoors except when starting engine and transporting attachment in or out of building. Carbon monoxide gas is colorless, odorless and deadly.
10. Do not attempt to operate on steep slopes. If operating on slopes is necessary, exercise extreme caution when changing direction.
11. Never operate soil conditioner without safety protective devices in place.
12. Never operate machine at high transport speeds on a slippery surface.
13. Use extra caution when backing up.
14. Never operate the soil conditioner without good visibility and lighting.
15. Prolonged exposure to loud noise can cause impairment or loss of hearing. Wear a suitable hearing device such as earmuffs or earplugs to protect against objectionable or uncomfortable noises.
16. Never allow anyone near the work area.

# THE SKID STEER

## General Information

1. Read the operator's manual carefully before using skid steer. Lack of operating knowledge can lead to accidents.
2. Do not permit anyone but the operator to ride on the skid steer. There is no safe place for passengers.

## Operating the Skid Steer

1. Never run the skid steer engine in a closed building without adequate ventilation, as the exhaust fumes are very dangerous.
2. Adopt safe driving practice: Keep the parking brake on at all times during transportation.
3. Always drive at a safe speed relative to local conditions and ensure that your speed is low enough for an emergency stop to be safe and secure.
4. Reduce speed prior to turns to avoid the risk of overturning. Keep speed to a minimum.
5. Always keep the skid steer in gear to provide engine braking when going downhill. Do not coast.
6. Never allow an open flame near the fuel tank or battery.
7. Make sure the proper shields are installed when using the equipment and always replace the shields if damaged.
8. Park the skid steer/soil conditioner on level ground, place the transmission in neutral, set the parking brake, disengage the Aux hydraulics, lower the equipment to the ground, place all levers including auxiliary control levers in neutral, shut off the engine and remove the ignition key BEFORE leaving the skid steer.
9. Never park or operate the skid steer on a steep slope. Avoid sudden uphill turns on steep slopes.
10. Use of counterweights for better traction and stability is recommended.
11. Handle fuel with care, as it is highly flammable.
12. Use approved fuel container, never add fuel to running engine or a hot engine.
13. Fill fuel tank outdoors with extreme care. Never fill fuel tank indoors. Replace fuel cap securely and wipe up spilled fuel.
14. Never allow anyone to operate the soil conditioner until they have read the manual completely and are thoroughly familiar with basic skid steer and soil conditioner operation.
15. Make sure the skid steer is counterweighted as recommended by your dealer. Weights provide the necessary balance to improve stability, traction and steering.
16. Always make sure all soil conditioner components are properly installed and securely fastened BEFORE operation.
17. Always start the engine from the operator's seat with all the transmission lever(s) and soil conditioner drive lever (if applicable) in neutral.
18. DO NOT bypass the safety system by shorting across the terminals of the starter motor to start the engine. This may cause the skid steer to move suddenly.
19. If the safety start system does not work, consult your dealer immediately.

## **During Operation**

1. Do not allow passengers on the skid steer/soil conditioner at any time. There is no safe place for passengers on the equipment. The operator **MUST** sit in the skid steer seat.
2. Eye and hearing protection is recommended when operating the soil conditioner.
3. Operate only during daylight hours, or when the area is well lit with bright artificial light.
4. Park the skid steer/soil conditioner on level ground, place the transmission in neutral, set the parking brake, disengage the Aux hydraulics, lower the equipment to the ground, place all control levers in neutral, shut off the engine and remove the ignition key **BEFORE** leaving the operator's seat.
5. Inspect the soil conditioner after striking any foreign object to assure that all soil conditioner parts are safe and secure and not damaged.
6. Be especially observant of the operating area and terrain. Watch for holes, rocks, or other hidden hazards. **ALWAYS** inspect the area prior to using the soil conditioner.
7. **DO NOT** use the soil conditioner near the edge of drop-offs or banks.
8. **DO NOT** use the soil conditioner on steep slopes as overturn may result.
9. Operate up and down (not across) intermediate slopes. Avoid sudden starts and stops.
10. Drive skid steer backwards up steeper slopes.
11. Slow down before you change directions on any slope.
12. Use wheel weights on your skid steer to increase stability on slopes.
13. Never stand alongside of the unit while the engine is running.

## **Roll-Over Protective Structure (ROPS) During Operation**

1. **DO NOT** weld, drill or alter the ROPS. Damaged ROPS must not be straightened or used. If damage does occur, consult your dealer.
2. If ROPS is lowered or removed from the skid steer for any reason, it must be erected and/or refitted immediately. Original bolts or equivalent replacements must be used and tightened to the correct torque.
3. Your dealer does not recommend usage of skid steer with ROPS removed.
4. Seat belt usage: With ROPS installed on the skid steer it is imperative that the seat belt be installed, used and correctly adjusted, at all times. **DO NOT** use a seat belt if operating without ROPS.
5. Keep all shields and covers in place. All skid steer and equipment shields and covers must be correctly installed at all times. When necessary to remove these, they must be reinstalled immediately.
6. Keep clear of all rotating driveline components. Be especially observant of implement areas of discharge, intake or other mechanical motion.
7. Securely lock equipment drive shaft. Check that all skid steer and equipment drivelines are in good working order.
8. Additional safety equipment: A fire extinguisher and first aid kit should be kept readily accessible.



## MAINTENANCE

***Always use genuine parts when replacement parts are required during operation.***

1. Keep the skid steer and soil conditioner properly maintained.
2. Park the skid steer/soil conditioner on level ground, place the transmission in neutral, set the parking brake, disengage the Aux hydraulics, lower the equipment to the ground, place all control levers in neutral, shut off the engine and remove the ignition key and allow the rotating parts to stop BEFORE making any soil conditioner adjustments.
3. To avoid injury, do not adjust or service the soil conditioner with the skid steer engine running. Make sure moving components have completely stopped before leaving the operator's seat.
4. Keep the skid steer/soil conditioner clean.
5. Always wear eye protection when cleaning or servicing the soil conditioner.
6. Service the unit in safety: DO NOT service the skid steer while the engine is running or hot, or if the unit is in motion. Always lower soil conditioner to the ground. If necessary to service unit with soil conditioner raised, securely support with stands or suitable blocking before working underneath. Do not rely on hydraulically supported devices for your safety. They can settle suddenly, leak down, or be accidentally lowered.
7. Do not attempt to service machine, clear obstructions or unplug blockages with the engine running. Always shut off engine and allow all motion to cease.
8. The manufacturer will not claim responsibility for fitment of unapproved parts and/or accessories and any damages as a result of their use.
9. Make sure all shields and guards are securely in place following all service, cleaning, or repair work.
10. Do not modify or alter this equipment or any of its components or operating functions. If you have any questions concerning modifications, consult with your dealer.
11. Do not operate a unit which is defective or has missing parts. Make sure that all recommended maintenance procedures are completed before operating the unit.
12. Check all controls regularly and adjust where necessary.
13. Periodically check all nuts and bolts for tightness, especially wheel hub and rim nuts. Make sure all non-rotating pins are secured properly.
14. Check hydraulic cylinders and hoses for damage or leaks. To avoid serious personal injury: Escaping hydraulic/diesel fluid under pressure can penetrate the skin causing serious injuries. Do not use your hands to check for leaks. Use a piece of cardboard or paper to search for leaks.
15. Stop engine and relieve pressure before connecting lines. Tighten all connections before starting engine or pressurizing lines.

## TRANSPORTING

1. Transporting on public roadway: When driving the skid steer and equipment on the road or highway under 25 mph, at night or during the day, use flashing amber warning lights and the Slow Moving Vehicle ("SMV") identification emblem.
2. Check local traffic codes that may apply to unit usage on public roads and highways in your area. The use of flashing amber lights is acceptable in most localities. However, some localities may prohibit their use.
3. Always disengage equipment drive prior to transporting unit.

## STORAGE

***Before storing the soil conditioner, certain precautions should be taken to protect it from deterioration.***

1. Clean the soil conditioner throughout.
2. Make all the necessary repairs.
3. Replace all safety signs that are damaged, lost, or otherwise become illegible. If a part to be replaced has a sign on it, obtain a new safety sign from your dealer and install it in the same place as on the removed part.
4. Repaint all parts from which paint has worn or peeled.
5. When the soil conditioner is dry, oil all moving parts. Apply oil liberally to all surfaces to protect against rust.
6. Store in a dry place

# OPERATION

## General Preparation

1. Read the operator's manual carefully before using the skid steer and soil conditioner. Be thoroughly familiar with the controls and proper use of the equipment. Know how to stop the unit and disengage the controls quickly.
2. Wear appropriate outer garments while operating the equipment.
3. Make sure the soil conditioner can operate freely.
4. Before engaging the soil conditioner, always have the engine running at idle.

## Engine Speed

1. Start the skid steer engine. Let the engine warm up at least one minute before engaging the drive mechanism then increase speed gradually.
2. Make sure the soil conditioner is properly positioned and engage the drive mechanism.
3. Adjust the ground speed according to conditions.

## Engaging the Drive Mechanism

Refer to the skid steer's operating manual for instructions.

# SOIL CONDITIONER PARTS

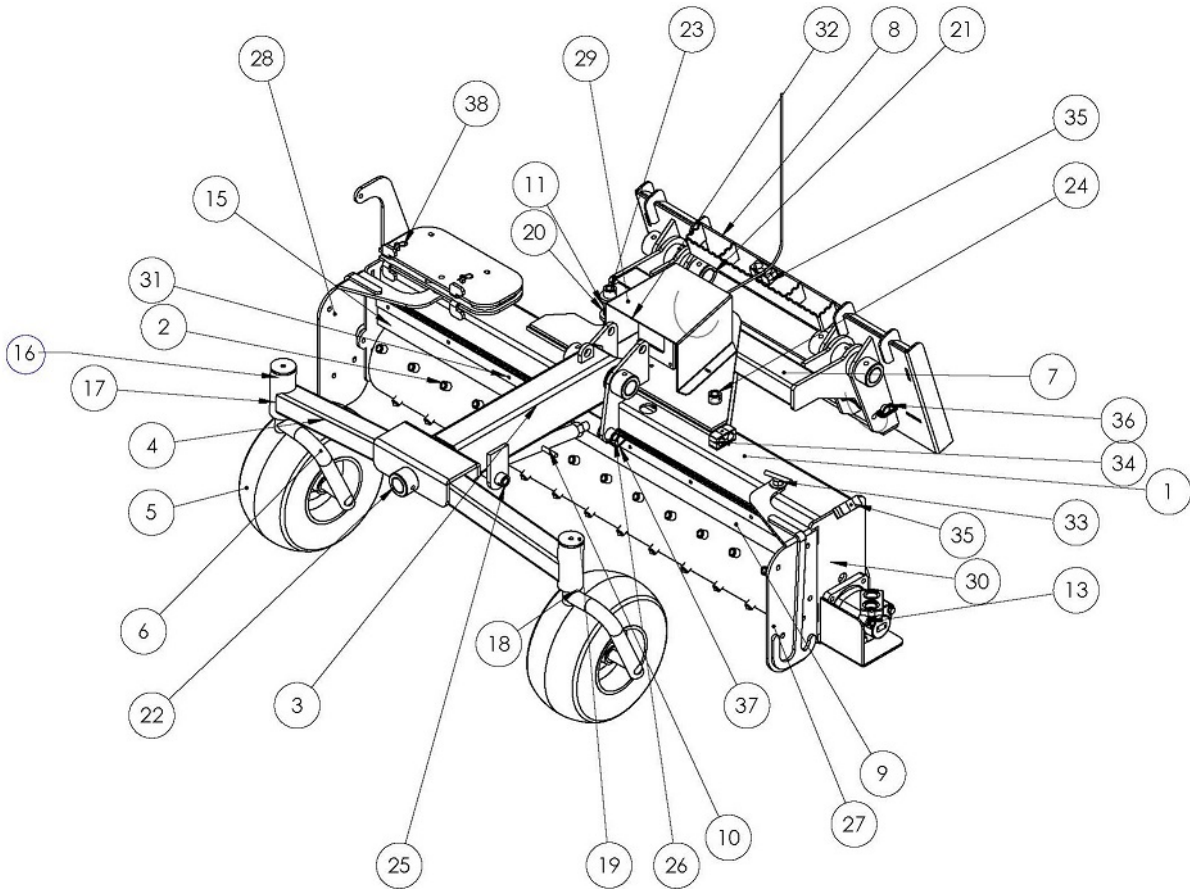
## Introduction

All parts are illustrated in "exploded views" which show the individual parts in the normal relationship to each other. Reference numbers are used in the illustrations. These numbers correspond to those in the "*Item No.*" column, and are followed by the description and quantity required.

The manufacturer reserves the right to change, modify, or eliminate from time to time, for technical or other reasons, certain or all data, specifications, or the product or products themselves, without any liability or obligation.

Where "Width" is indicated on the part number substitute with the width of the soil conditioner (i.e.72 or 84).

# Soil Conditioner Assembly – Detailed Parts Diagram A



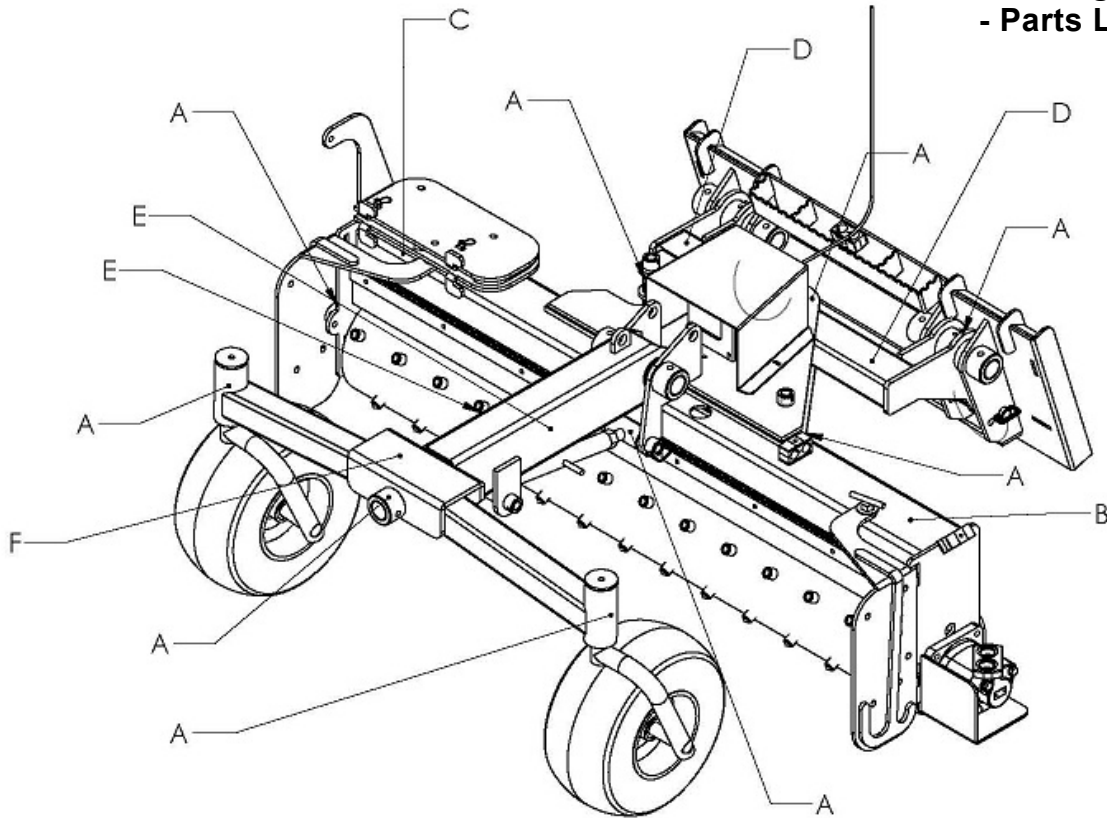
## Soil Conditioner Assembly - Parts List A

ITEM NO.	PART NUMBER	DESCRIPTION	QTY.
1	AU-02-35000-Width	Bridge Assembly	1
2	AU-02-35001-Width	Conditioner Tube	1
3	AU-02-35003	Pivot Arm	1
4	AU-02-35004	Leveling Carriage	1
5	AU-03-35072	Tire & wheel Assembly	2
6	AU-02-35005	Caster Arm Assembly	2
7	AU-02-35006	Angle Assembly	1
8	AU-02-35007	Quick Tach Assembly	1
9	AU-03-35026-Width	Flap	2
10	AU-02-35011	Turn Buckle	1
11	657-02-0010	Cylinder - OPTIONAL	1
13	AU-03-35066	Motor	1
15	AU-03-1625-1.750	Flange Bearing	1
16	AU-03-35042	Wheel Swivel Race	4
17	AU-03-35043	Wheel Swivel Bearing	4
18	AU-03-35044	Seal	2
19	AU-03-35045	Washer	2
20	AU-02-35016	Cylinder Stop Half - OPTIONAL	2
21	AU-03-35047	Pin	3
22	AU-03-35048	Pin	2
23	AU-03-35049	Pin	1
24	AU-03-35050	Pin	1
25	AU-03-35051	Pin	1
26	AU-03-35052	Pin	1
27*	687-02-0004	Box Side LH - OPTIONAL	1
28*	687-02-0005	Box Side RH - OPTIONAL	1
29	AU-03-35067	Valve Guard - OPTIONAL	1
30	AU-03-35065	Motor Hub	1
31	AU-03-35008-Width	Mounting Tab	4
32	AU-03-35020DFP	Hydraulic Angle Block - OPTIONAL	1
33*	AU-02-35021	Box Wing Keeper - OPTIONAL	2
34	AU-03-8804	Hose Clamp Insert	6
35	AU-03-8803	Hose Clamp Plate	3
36	AU-03-35095	Lock Pin	2
37	AU-03-35096	Pin	2
38	AU-03-35097	Hair Pin Cotter	2

\* Component of Side Plates Option part number 687-02-0002

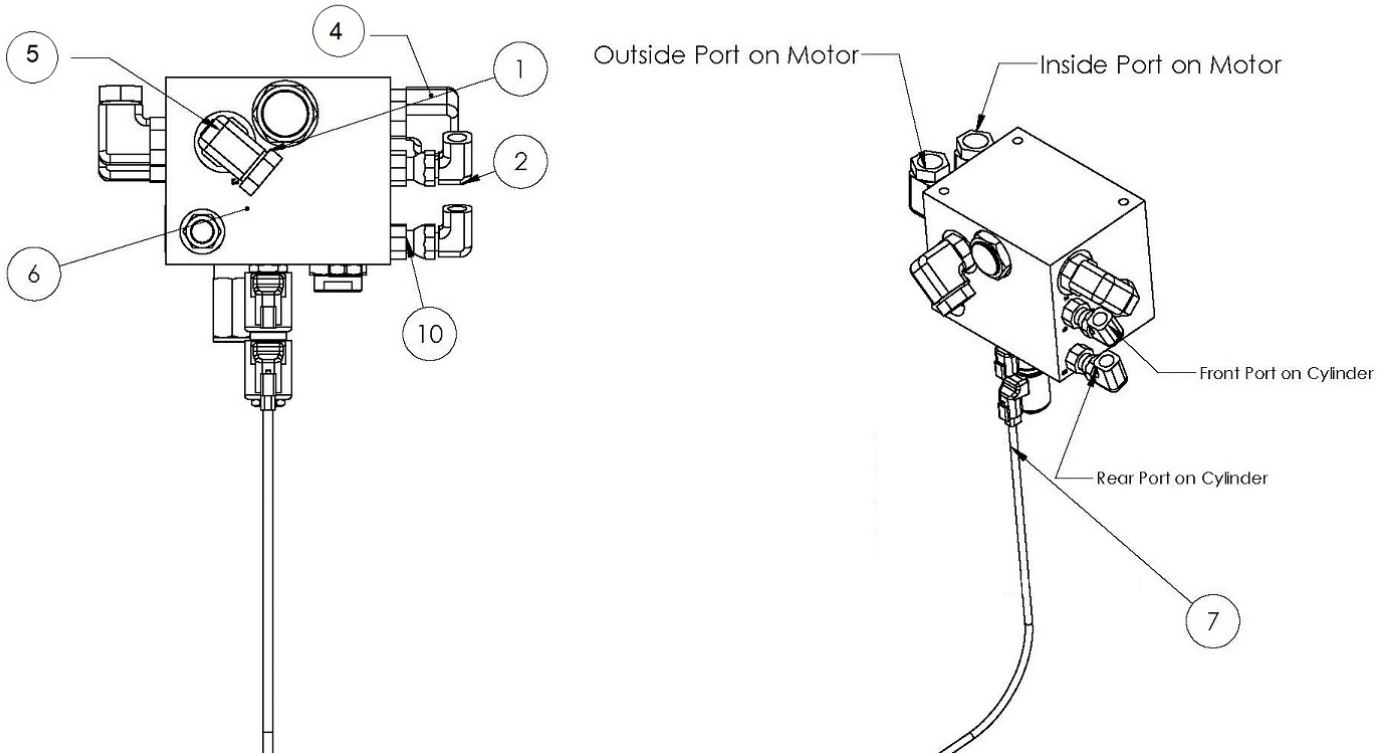
## Warning Decals Diagram B

### Warning Decals - Parts List B



Decal	Part Number	Description	QTY.
A	Decals-3-0019	Grease Daily	9
B	Decals-3-0028	Danger	1
C	Decals-3-0100	Serial Number	1
D	Decals-3-0015	Danger - Keep Hands Clear	2
E	Decals-3-0005	Skid Pro Logo	2
F	Decals-3-0006	Danger – Stay Back	1

## Soil Conditioner Block Assembly – Detailed Parts Diagram C



## Soil Conditioner Block Assembly – Parts List C

ITEM	Part Number	Description	QTY.
1	H500-FT12-1208	90° Fitting	4
2	H250-FT05	1/4" NPT ST 90	2
3*	H250-FT1208	-8 MORB X -4 FPX Fitting (Hydraulic Angle Option Cylinder Fittings)	2
4	AU-03-9991-12-12	1/2" Male Flat Face Coupler	1
5	AU-03-9990-12-12	1/2" Female Flat Face Coupler	1
6	AU-02-35020	Hydraulic Angle Manifold Block	1
7	AU-02-20053	Wire Harness	1
8*	HSL500	Hose Sleeve to Machine	5
9*	HSL250	Hose sleeve for Angle Cylinder Hoses	2
10	PH250-FT25	1/4" Male NPT to 1/4" Female NPT Swivel	2

\* Not Pictured

**Soil  
Conditioner  
Block  
Assembly –  
Hose Parts  
List**

## Manual Angle

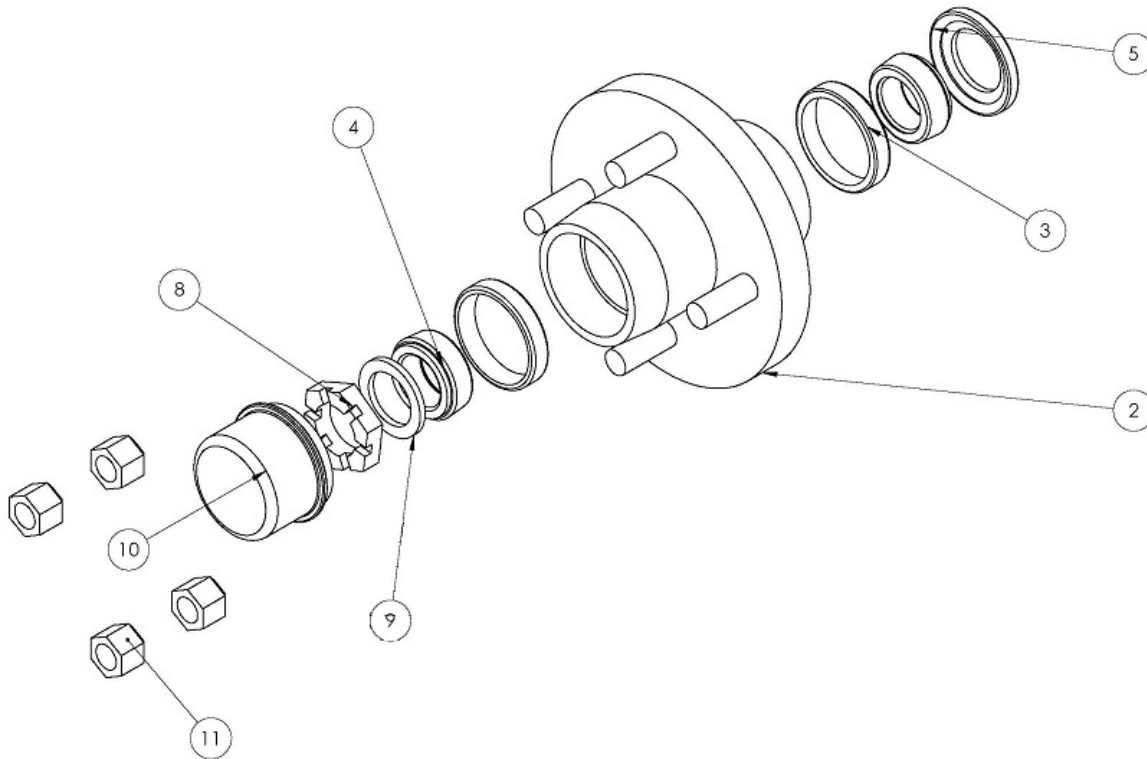
Part Number	Description	QTY.
AU-02-35030	From Machine to Motor 72"	2
AU-02-35031	From Machine to Motor 84"	2

### Hydraulic Angle - Optional

Part Number	Description	QTY.
AU-02-35025	Port C2 to Rear Port of Angle Cylinder	1
AU-02-35026	Port C1 to Front Port of Angle Cylinder	1
AU-02-35027	Port M2 to Outside Port of Drum Motor 72"	1
AU-02-35027	Port M1 to Inside Port of Drum Motor 72"	1
AU-02-35028	Port M2 to Outside Port of Drum Motor 84"	1
AU-02-35028	Port M1 to Inside Port of Drum Motor 84"	1
AU-02-35029	Port P2 to Female Coupler	1
AU-02-35029	Port P1 to Male Coupler	1



## Soil Conditioner Hub Assembly – Detailed Parts Diagram D



## Soil Conditioner Hub Assembly – Parts List D

ITEM	Part Number	Description	QTY.
2	AU-03-35073	Hub	1
3	AU-03-35076	Outer race	2
4	AU-03-35077	Outer Bearing	2
5	AU-03-35075	Side Spacer	1
8	AU-03-35098	Nut	1
9	AU-03-35099	Washer	1
10	AU-03-35100	Dust Cap	1
11	AU-03-35101	Lug Nut	4

## Wiring Guide

### SOIL CONDITIONER/SWEEPER WIRING GUIDE 2/1/2020

<b>AU-03-1500-14-2</b> 14 Pin: Wacker/Bobcat/Gehl/ New Holland/Canbus	<b>AU-03-1500-14-3</b> 14 Pin: Mustang/JCB/Volvo/ Takeuchi/Case/Kubota	<b>AU-03-1500-14-4</b> 14 Pin: Cat
Black Wire-Black Wire - Letter B White Wire-Yellow Wire - Letter G Green Wire-Red Wire - Letter H	Black Wire- Black Wire - Letter B White Wire-Yellow Wire - Letter C Green Wire-Red Wire - Letter D	Black Wire-Black Wire - Letter B White Wire-Blue Wire - Letter E Green Wire-Green Wire - Letter F
<b>AU-03-1500-14-8</b> 14 Pin: John Deere	<b>AU-03-1500-8-9</b> 8 Pin: Cat	<b>AU-03-1500-8-11</b> 8 Pin: JCB
Black Wire-Black Wire - Letter A White Wire-Yellow Wire - Letter G Green Wire-Red Wire - Letter C	Black Wire-Black Wire - Letter A White Wire-Yellow Wire - Letter B Green Wire-Red Wire - Letter H	Black Wire-Black Wire - Letter C White Wire-Yellow Wire - Letter D Green Wire-Red Wire - Letter E
<b>AU-03-1500-8-12</b> 8 Pin: ASV / Terex	<b>AU-03-1500-8-14</b> 8 Pin: Komatsu	
Black Wire-Black Wire - Letter A White Wire-Yellow Wire - Letter B Green Wire-Red Wire - Letter G	Black Wire-Black Wire - Letter A White Wire-Yellow Wire - Letter C Green Wire-Red Wire - Letter D	

## **ACCESSORIES UNLIMITED LLC WARRANTY**

Accessories Unlimited LLC warrants to its authorized dealers who in turn warrant to the original owner, that each new Accessories Unlimited LLC attachment will be free from proven defects in material and workmanship for twelve (12) months after delivery by the authorized Accessories Unlimited LLC dealer to the original buyer.

During the warranty period, the authorized Accessories Unlimited LLC dealer shall repair or replace, at Accessories Unlimited LLC's option, without charge for parts and labor, any part of the Accessories Unlimited LLC product which fails because of defects in material or workmanship. The owner shall provide the authorized Accessories Unlimited LLC dealer with prompt written notice of the defect and allow reasonable time for replacement or repair. Accessories Unlimited LLC may, at its option, require failed parts to be returned to the factory. Travel time of mechanics and transportation of the Accessories Unlimited LLC product to the authorized Accessories Unlimited LLC dealer for warranty work are the responsibility of the owner. The remedies provided in this warranty are exclusive.

This warranty does not cover replacement of scheduled service items and high wear items. The owner shall rely solely on the warranty, if any, of the respective manufacturers thereof. This warranty does not cover damages resulting from abuse, accidents, alterations, use of the Accessories Unlimited LLC product as an attachment on any equipment not approved by Accessories Unlimited LLC, air flow obstructions, or failure to maintain or use the Accessories Unlimited LLC product according to the instructions applicable to it.

THIS WARRANTY IS EXCLUSIVE AND IN LIEU OF ALL OTHER WARRANTIES AND CONDITIONS, EXCEPT THE WARRANTY OF TITLE, ACCESSORIES UNLIMITED LLC DISCLAIMS ALL OTHER WARRANTIES AND CONDITIONS, EXPRESS OR IMPLIED, INCLUDING ANY IMPLIED WARRANTIES OR CONDITIONS OF MERCHANTABILITY OR FITNESS FOR A PARTICULAR PURPOSE. IN NO EVENT SHALL ACCESSORIES UNLIMITED LLC OR THE AUTHORIZED ACCESSORIES UNLIMITED LLC DEALER BE LIABLE FOR ANY SPECIAL, INCIDENTAL, INDIRECT OR CONSEQUENTIAL DAMAGES, WHATSOEVER, INCLUDING, BUT NOT LIMITED TO, LOSS OR INTERRUPTION OF BUSINESS, LOST PROFITS, OR LOSS OF MACHINE USE, WHETHER BASED ON CONTRACT, WARRANTY, TORT, NEGLIGENCE, STRICT LIABILITY, STATUTE OR OTHERWISE, EVEN IF ACCESSORIES UNLIMITED LLC OR THE AUTHORIZED ACCESSORIES UNLIMITED LLC DEALER HAS BEEN ADVISED OF THE POSSIBILITY OF SUCH DAMAGES. THE TOTAL LIABILITY OF ACCESSORIES UNLIMITED LLC AND THE AUTHORIZED ACCESSORIES UNLIMITED LLC DEALERS WITH RESPECT TO THE PRODUCT AND SERVICES FURNISHED HEREUNDER SHALL NOT EXCEED THE PURCHASE PRICE OF THE PRODUCT UPON WHICH SUCH LIABILITY IS BASED.



1457 Eagle Street Detroit  
Lakes, MN 56501

Phone: 218-844-8622  
[www.a-u-llc.com](http://www.a-u-llc.com)  
sales@a-u-llc.com