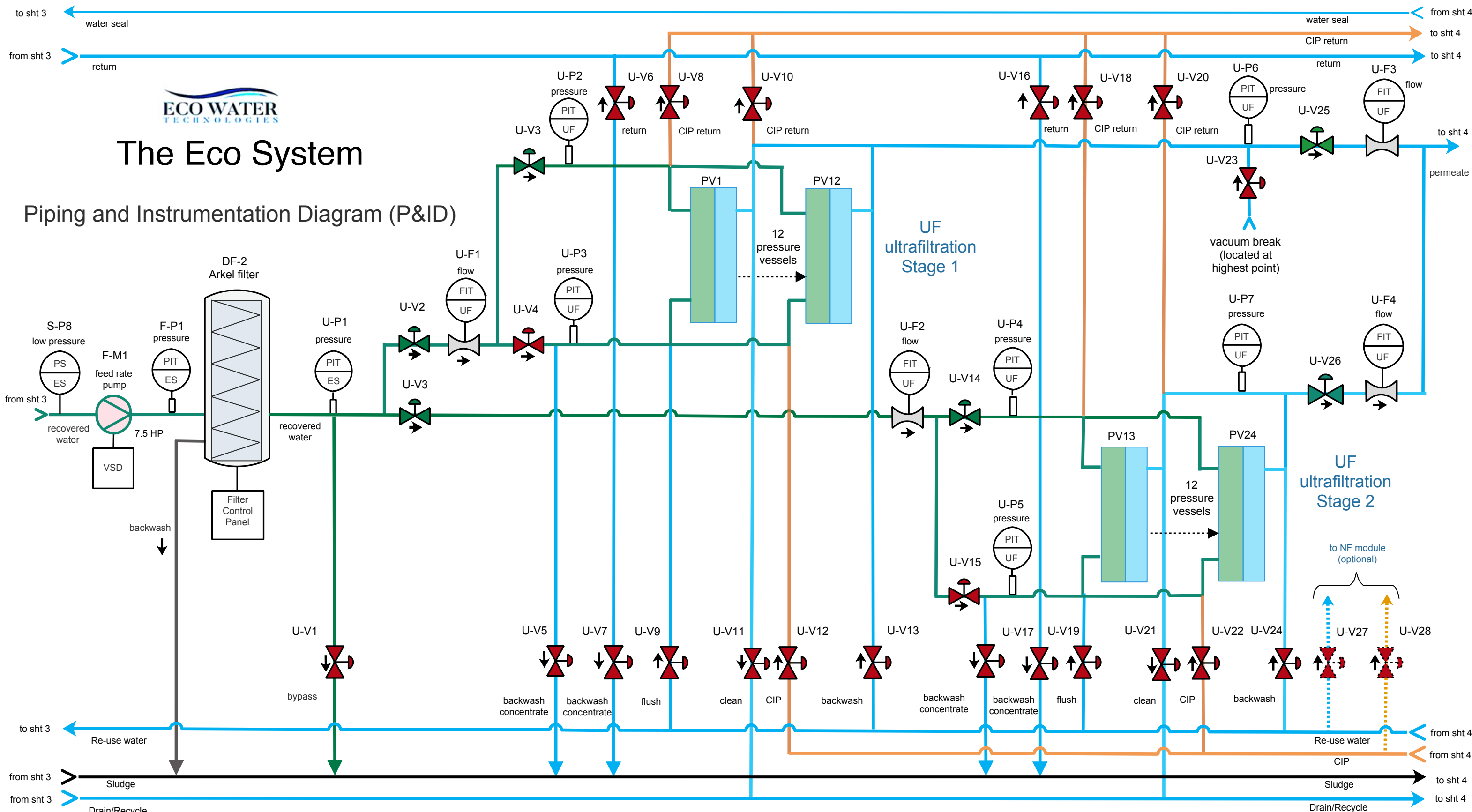




# The Eco System

## Piping and Instrumentation Diagram (P&ID)



THIS DRAWING CONTAINS PROPRIETARY INFORMATION OWNED BY ECO WATER TECHNOLOGIES CORP. AND IS SUBMITTED UNDER A CONFIDENTIAL RELATIONSHIP AND MAY NOT BE USED OR DISCLOSED UNLESS EXPRESSLY GRANTED BY ECO WATER TECHNOLOGIES CORP.



Drawing not to scale

Development Software - Edraw Max (.eddx)  
Drawing Format 11" X 17" ANSI B Tabloid

3	3/17/2019	add hydrocyclone & DF #1
2	2/2/2019	add flotation vessel
1	12/27/2017	release for publication
0	11/25/2017	for review only
rev	date	description



150 North Federal Hwy  
Suite 200  
Fort Lauderdale, FL 33301

title		Filter and Ultrafiltration Membranes Piping and Instrumentation Diagram (P&ID)			
Eco Water Technologies Corp.					
date	drawing by	drawing no.	sheet	rev	
11/25/2017	WVY	EWC2003PID	3/5	3	