

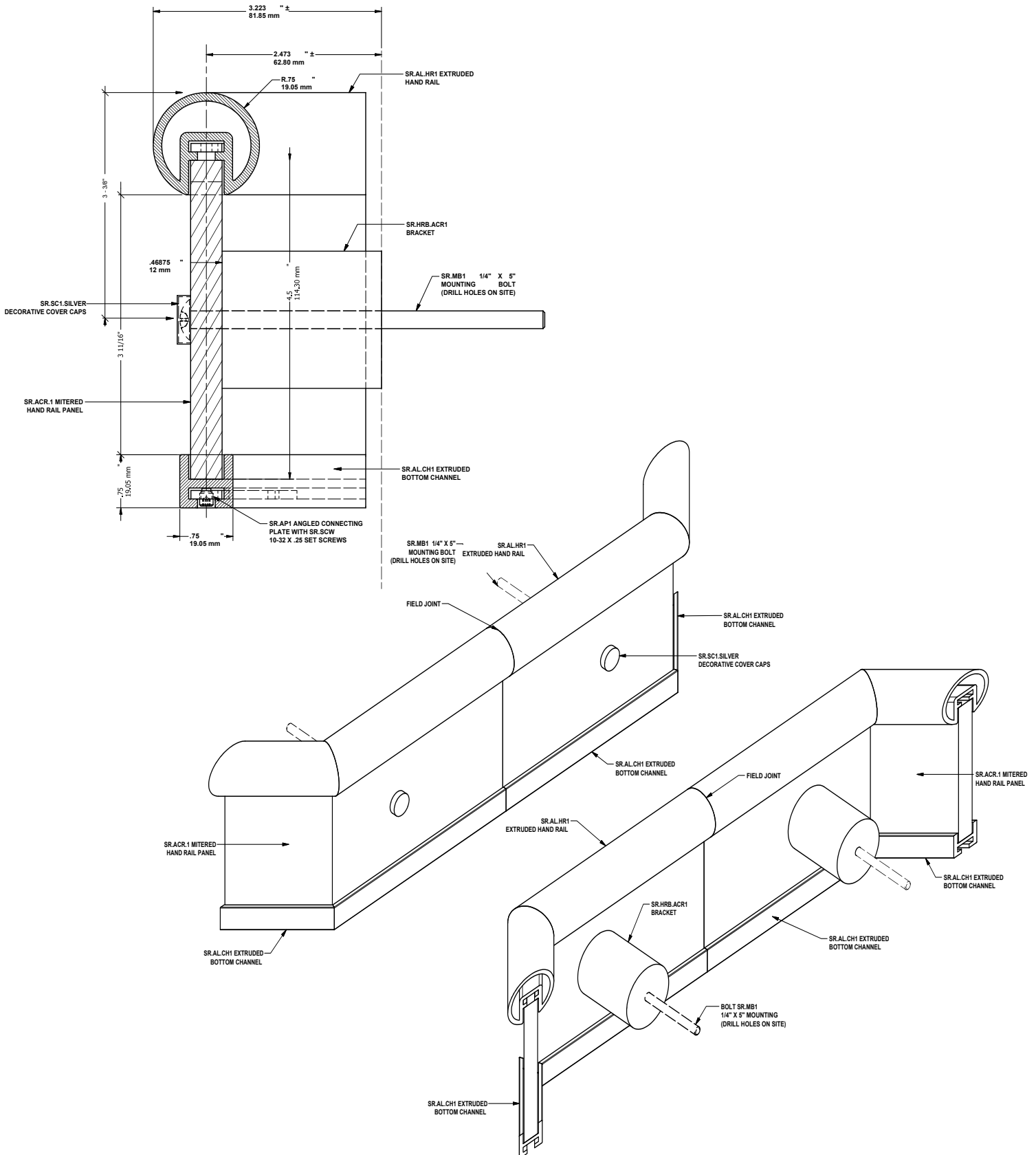
# Spectrim<sup>®</sup> Wall Protection Systems

## SmartRail Handrails

**Recommended Installation Equipment:** Tape Measure, Level, Chalk Line, Drill, Acrylic Drill Bits, Screwdriver, Removable Marker, Cleaning Cloth, Suitable 1/4" (6.35mm) x 5" (127mm) Lg. Mounting Fasteners, and Glue (PVC/"Super").

1. **Spectrim<sup>®</sup>** SmartRail is supplied in factory-fabricated sections. Each supplied section is marked with a unique identifier in accordance with the identifier assigned per the cut-list. A copy of this cut-list is included with the product shipment for reference.
2. In accordance with architectural drawings and specifications, locate and install **SmartRail** handrail sections per cut-list-coordinated and referenced floorplan rail location drawing. When required and supplied, **Spectrim<sup>®</sup>** shop drawings should be used accordingly.
3. Lay out work to be completed, including all component parts, along base of substrate (wall). Check material for any damage that may have occurred during shipment and/or handling at job site.
4. Snap chalk line at proper location on substrate to ensure level installation. Chalk line should be calculated to centerline of mounting blocks and wall fasteners.  
**Note: Chalk line and reference marks will be visible after installation and must be removed at clean-up.**
5. Determine lengths of rail section and applicable wall surface. Locate rail section right-to-left in accordance with these dimensions and related installation drawings and specifications. Ensure that rail section is identified and dimensioned correctly. Reference-mark chalk centerline appropriately.
6. SmartRail will need to be pre-drilled using supplied 5/16" acrylic drill bit prior to anchoring to wall. Temporarily hand-place rail section into proper position on wall. Transfer and mark anchor hole locations on chalk centerline. Mark on flat acrylic section of handrail where coinciding drill holes are to occur.  
**Note: Rail must be anchored to wall framing structure. Ensure that anchor location coincides with provided horizontal wall structure blocking/back-up.**
7. Plas-Drill Bit Drilling Procedure:
  - a. Clamp material to be drilled securely to a bench or table taking care to protect finishes. Place a backing block of plywood or similar under drilling point to prevent chipping when bit breaks through.
  - b. Chuck Plas-Drill bit firmly in hand drill or drill press, and feed drill slowly into plastic. Use steady pressure then reduce pressure just before drill breaks through.
  - c. **Note: To prevent dulling, do not use Plas-Drill bits on non-plastic materials, and protect bit tips when storing.**
8. Drill appropriately sized holes through wall surface into the structural framing using proper bit size for selected fasteners.
9. Insert SR.AP1 connecting plate into SR.ALCH1 lower channel and tighten with supplied allen key.
10. Mount rail assembly to wall using proper fasteners (supplied by installer). Tighten securely. Where splices occur, adhere solid-surface parts using cyanoacrylate (e.g. "Super") glue and SR.CS1 connecting sleeve.  
**Note: Ensure all fasteners are secured and properly seated.**
11. Clean SmartRail using water-moistened cloth. Use Minwax<sup>®</sup> brand "Satin Sheen Polyurethane" or equal to overcoat repairs to all finishes.
12. If there are any questions, please call **800-437-0557** for assistance.

# Spectrim<sup>®</sup> Wall Protection Systems SmartRail Handrails



# Spectrim<sup>®</sup> Wall Protection Systems SmartRail Handrails

