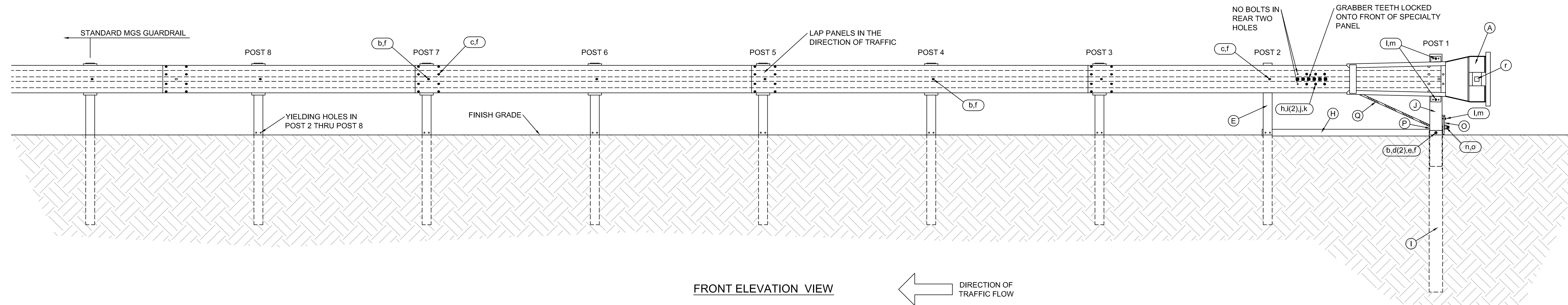
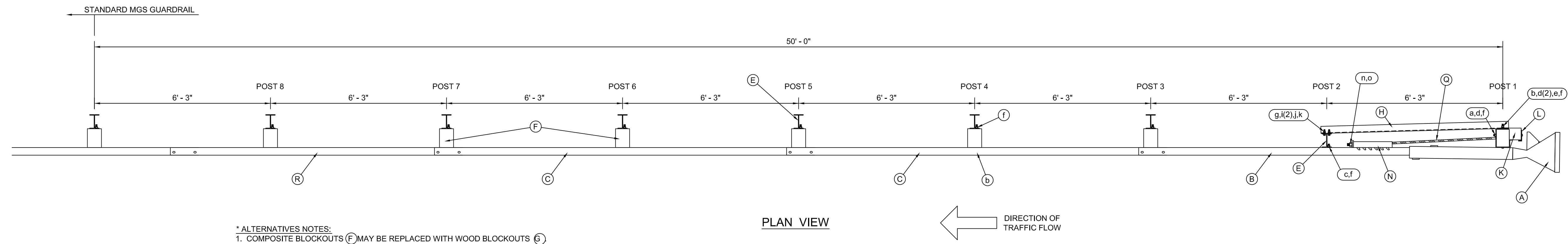


HORIZONTAL ALIGNMENT NOTE:
1. MAXIMUM HORIZONTAL FLARE OVER FIRST 50 FEET IS 12 INCHES.



MAIN SYSTEM COMPONENTS

ITEM	QUANTITY	COMPONENT	ITEM NUMBER
A	1	SGET IMPACT HEAD	SIH1A
B	1	SPECIALIZED GUARDRAIL PANEL(MODIFIED 12'-6" SECTION W-BEAM M-180)	126SPZGP
C	3	STANDARD GUARDRAIL PANEL (12'-6" SECTION W-BEAM M-180)	GP126
D	1	STANDARD GUARDRAIL PANEL (25'-0" SECTION W-BEAM M-180)	GP25
E	7	YIELDING POST - MODIFIED W6x8.5 GUARDRAIL POST	YP6MOD
F	6	COMPOSITE BLOCKOUT 6"x8"x14"	CBO8
G	6	WOOD BLOCKOUT 6"x8"x14"	WBO8
H	1	STRUT - 3"x3"x80" 1/2" A36 ANGLE	STR80
I	1	FOUNDATION TUBE - 6"x8"x72" 3/16" RECTANGULAR TUBE	FNDT6
J	1	WOOD BREAKAWAY POST - 5 1/2"x7 1/2"x50"	WBRK50
K	1	WOOD STRIKE BLOCK	WSBK14
L	1	STRIKE PLATE - 1/2" A36 BENT PLATE	SPLT8
M	1	REINFORCEMENT PLATE - 12 GA. GR55 BENT PLATE	REPLT17
N	1	GUARDRAIL GRABBER - 2 1/2"x2 1/2"x16 1/2" 1/4" A36 SQUARE TUBE	GGR17
O	1	BEARING PLATE - 8"x8 3/8" 3/8" A36 PLATE	BP1T8
P	1	PIPE SLEEVE - 4 1/2" LONG x 2 3/8" O.D. x 2 1/8" I.D. A36 ROUND TUBE	PSLV4
Q	1	1/4" CABLE - 81" LONG 3/4" BCT CABLE	CBL81
R	1	MGS-CONVERSION GUARDRAIL (9'-4 1/2" SECTION W-BEAM M-180)	GP94

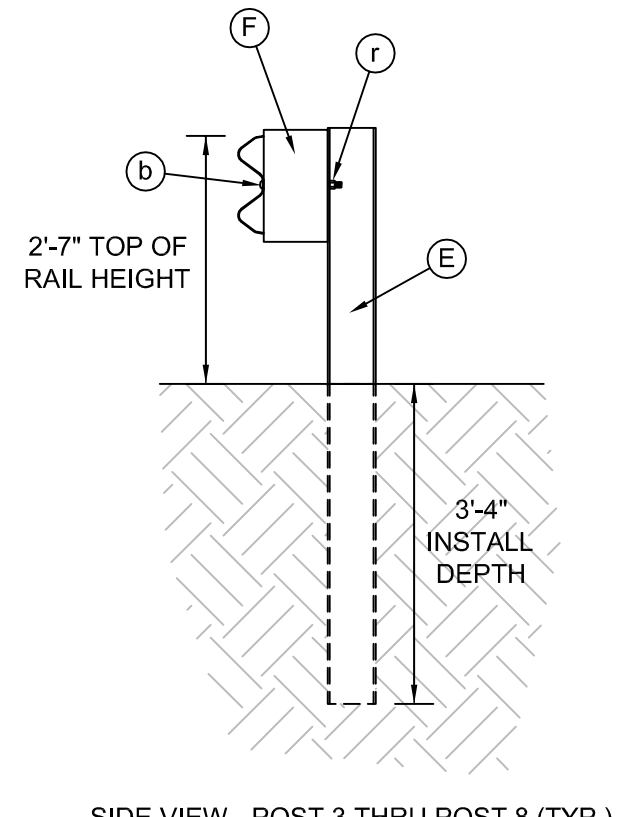
SMALL HARDWARE

ITEM	QUANTITY	COMPONENT	ITEM NUMBER
a	1	12" GUARDRAIL BOLT - 3/8" x 12 307A HDG	12GRBLT
b	7	10" GUARDRAIL BOLT - 3/8" x 10 307A HDG	10GRBLT
c	33	1 1/2" GUARDRAIL SPLICE BOLT - 3/8" x 1 1/2 307A HDG	1GRBLT
d	3	3/8" FLAT WASHER - 3/8" F436 (A325) HDG	58FW436
e	1	3/8" LOCK WASHER - HDG	58LW
f	39	3/8" HEX NUT - 3/8" x 11 A563 HDG	58HN563
g	2	2" STRUT BOLT - 1/2" x 13 x 2 A325 HDG	2BLT
h	6	1 1/2" REINFORCEMENT PLATE BOLT - 1/2" x 13 x 1 1/4 A325 HDG	125BLT
i	16	1/2" FLAT WASHER - 1/2" F436 (A325) HDG	12FWF436
j	8	1/2" LOCK WASHER - HDG	12LW
k	8	1/2" HEX NUT - 1/2" x 13 A563 HDG	12HN563
l	4	3/8" HEX LAG SCREW - 3/8" x 3 GR5 HDG	38LS
m	4	3/8" FLAT WASHER - 3/8" F844 HDG	38FW844
n	2	1" FLAT WASHER - 1 F436 (A325) HDG	1FWF436
o	2	1" HEX NUT - 1 x 8 A563DH HDG	1HN563
p	1	ZIP TIE - 18" TO 24" 175-200 LB RATING (NOT SHOWN)	ZPT18
q	1	PLASTIC SPACER - 4" LONG x 1 1/2" SCH-40 PVC PIPE (NOT SHOWN)	PSPCR4
r	1	RFID CHIP RATED MIL-STD-810F (e.g. OMN-ID EX0750)	RFID810F

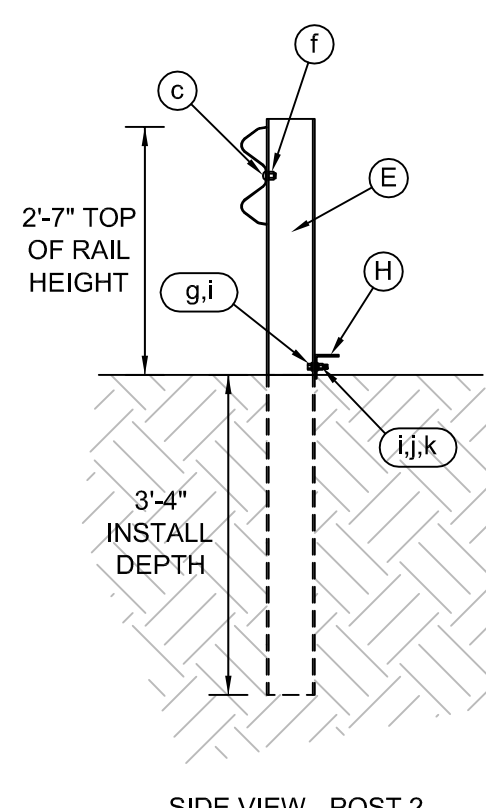
NOTE:
THIS STANDARD IS A BASIC REPRESENTATION OF THE SGET SYSTEM. IT IS NOT INTENDED TO REPLACE THE PRODUCT DESCRIPTION AND ASSEMBLY MANUAL.

SINGLE GUARDRAIL TERMINAL
SGET-MASH-TL-3

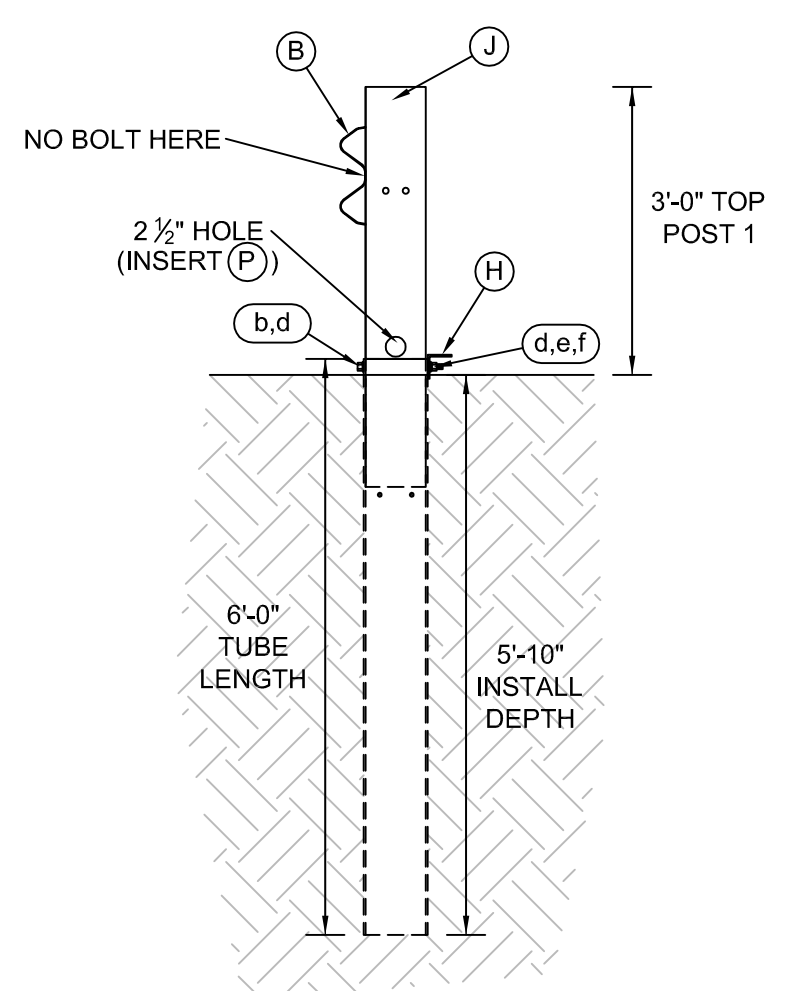
FILE: SGET_2020_03_10.DWG	DN: ##	CK: ##	DN: ##	CK: ##
	CONT SECT	JOB	HIGHWAY	
##	##	##	##	
	DIST	COUNTY	SHEET NO.	
##	##		1 OF 2	



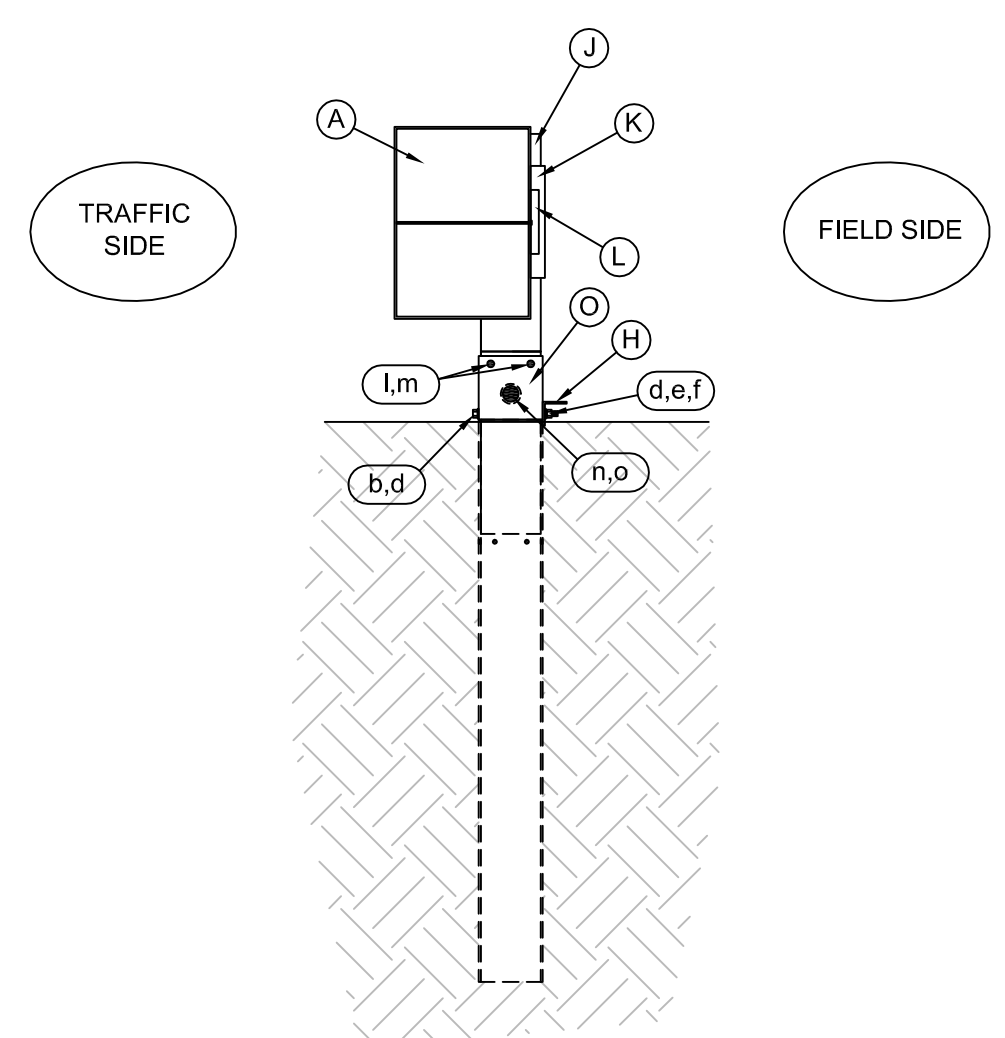
SIDE VIEW - POST 3 THRU POST 8 (TYP.)



SIDE VIEW - POST 2



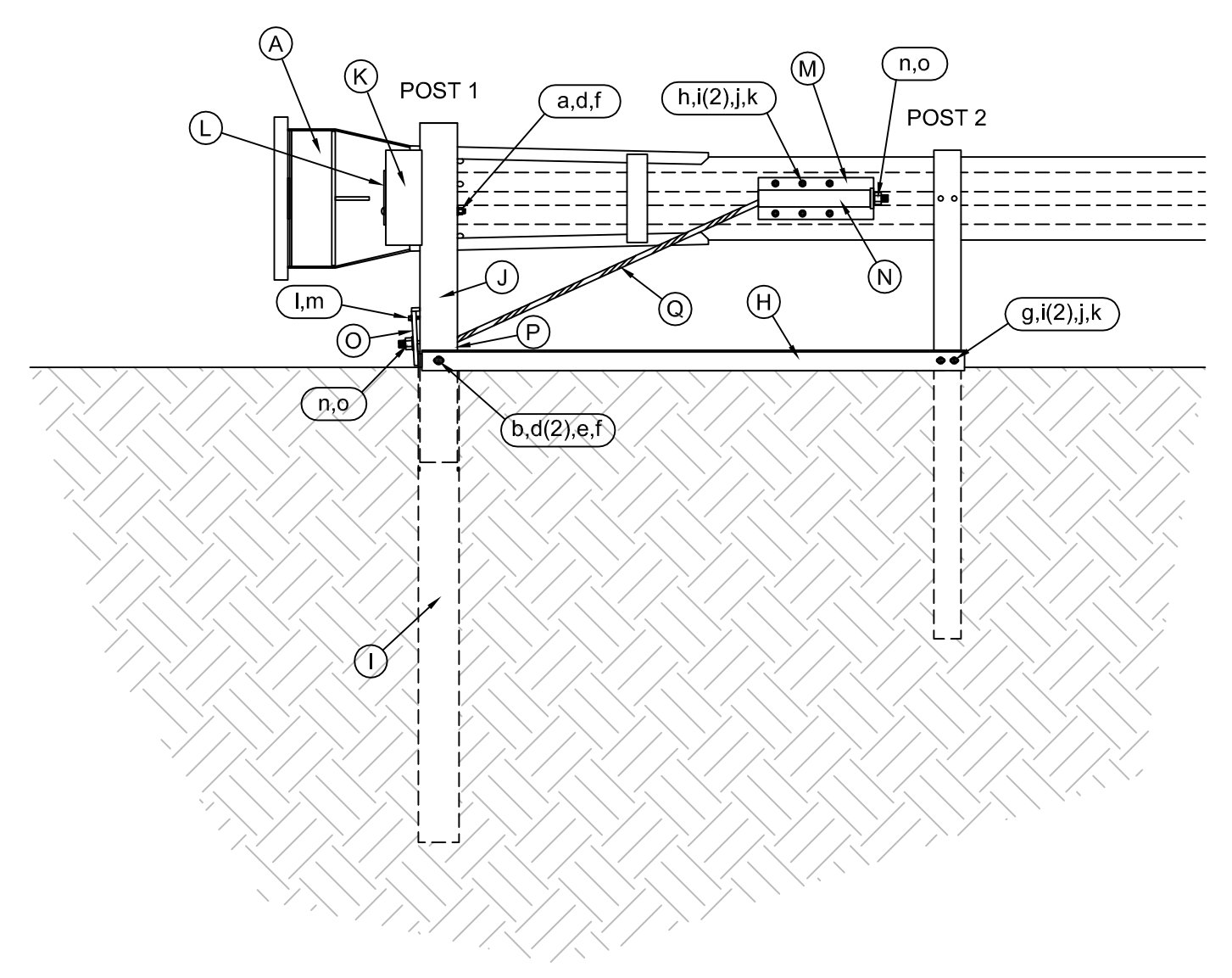
SIDE VIEW - POST 1



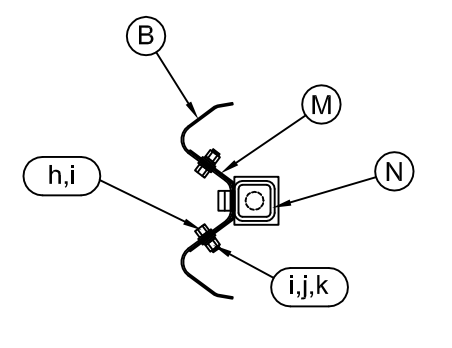
FRONT END ELEVATION - POST 1

GENERAL NOTES:

1. STEP-BY-STEP INSTALLATION INSTRUCTIONS AS WELL AS OTHER GUIDANCE ARE AVAILABLE FROM SPIG INDUSTRY, INC., (276) 644-9510, 14675 INDUSTRIAL PARK RD., BRISTOL, VA 24202.
2. THE FIRST SPECIALIZED GUARDRAIL HEAD SHOULD BE CENTERED BETWEEN THE MOUNTING TABS OF THE SGET IMPACT HEAD SUCH THAT THE TOP SPACING BETWEEN THE TOP OF THE FIRST SPECIALIZED GUARDRAIL PANEL AND THE TOP FEED CHANNEL OF THE SGET IMPACT HEAD IS THE SAME AS THE BOTTOM SPACING BETWEEN THE BOTTOM OF THE FIRST SPECIALIZED GUARDRAIL PANEL AND THE BOTTOM FEED CHANNEL OF THE SGET IMPACT HEAD. A PLASTIC SPACER IS PROVIDED WITH THE INSTALLATION KIT TO ACCOMPLISH THE CENTERING OF FIRST SPECIALIZED GUARDRAIL PANEL BETWEEN THE MOUNTING TABS OF THE SGET IMPACT HEAD.
3. THE CABLE SHOULD BE TENSIONED SUCH THAT LESS THAN 1 INCH OF DEFLECTION OCCURS WHEN THE CABLE IS STEPPED ON.
4. THE THREADED END OF THE CABLE SHOULD NOT PROTRUDE MORE THAN 1 INCH FROM THE CABLE TIGHTENING NUT AT THE END OF THE GUARDRAIL GRABBER COMPONENT ON THE FIRST SPECIALIZED GUARDRAIL PANEL.
5. THE NOMINAL HEIGHT OF THE GUARDRAIL BEAM IS 31 INCHES WITH A TOLERANCE OF +/- ONE INCH.
6. THE ENTIRE SYSTEM MUST BE INSTALLED IN A STRAIGHT LINE WITHOUT ANY CURVE. HOWEVER, THE SYSTEM CAN BE FLARED TWO FEET OVER 50 FEET TO FURTHER OFFSET THE FACEPLATE OF THE SGET IMPACT HEAD FROM THE SHOULDER OF THE ROAD.
7. THE SYSTEM IS SHOWN WITH A FIRST 12'-6" SPECIALIZED GUARDRAIL PANEL, A SECOND 12'-6" STANDARD GUARDRAIL PANEL, A THIRD 12'-6" STANDARD GUARDRAIL PANEL, AND A FOURTH 9'-4 1/2" MGS-CONVERSION GUARDRAIL PANEL. THE FIRST 12'-6" SPECIALIZED PANEL MUST ALWAYS BE USED.
8. POSTS 2 THROUGH 8 MUST ALL BE YIELDING POSTS WITH THE YIELDING HOLES AT GROUND LEVEL.
9. THE REDIRECTIVE CAPABILITY OF THE SYSTEM BEGINS AT POST 3.



REAR ELEVATION - POST 1 THRU POST 2



SIDE VIEW - REINFORCEMENT PLATE & GUARDRAIL GRABBER

NOTE:
THIS STANDARD IS A BASIC REPRESENTATION OF THE SGET SYSTEM. IT IS NOT INTENDED TO REPLACE THE PRODUCT DESCRIPTION AND ASSEMBLY MANUAL.

SINGLE GUARDRAIL TERMINAL				
SGET-MASH-TL-3				
FILE: SGET_2020_03_10.DWG	DN: ##	CK: ##	DN: ##	CK: ##
CONT	SECT	JOB	HIGHWAY	
##	##	##	##	
DIST	COUNTY	SHEET NO.		
##	##	2 OF 2		