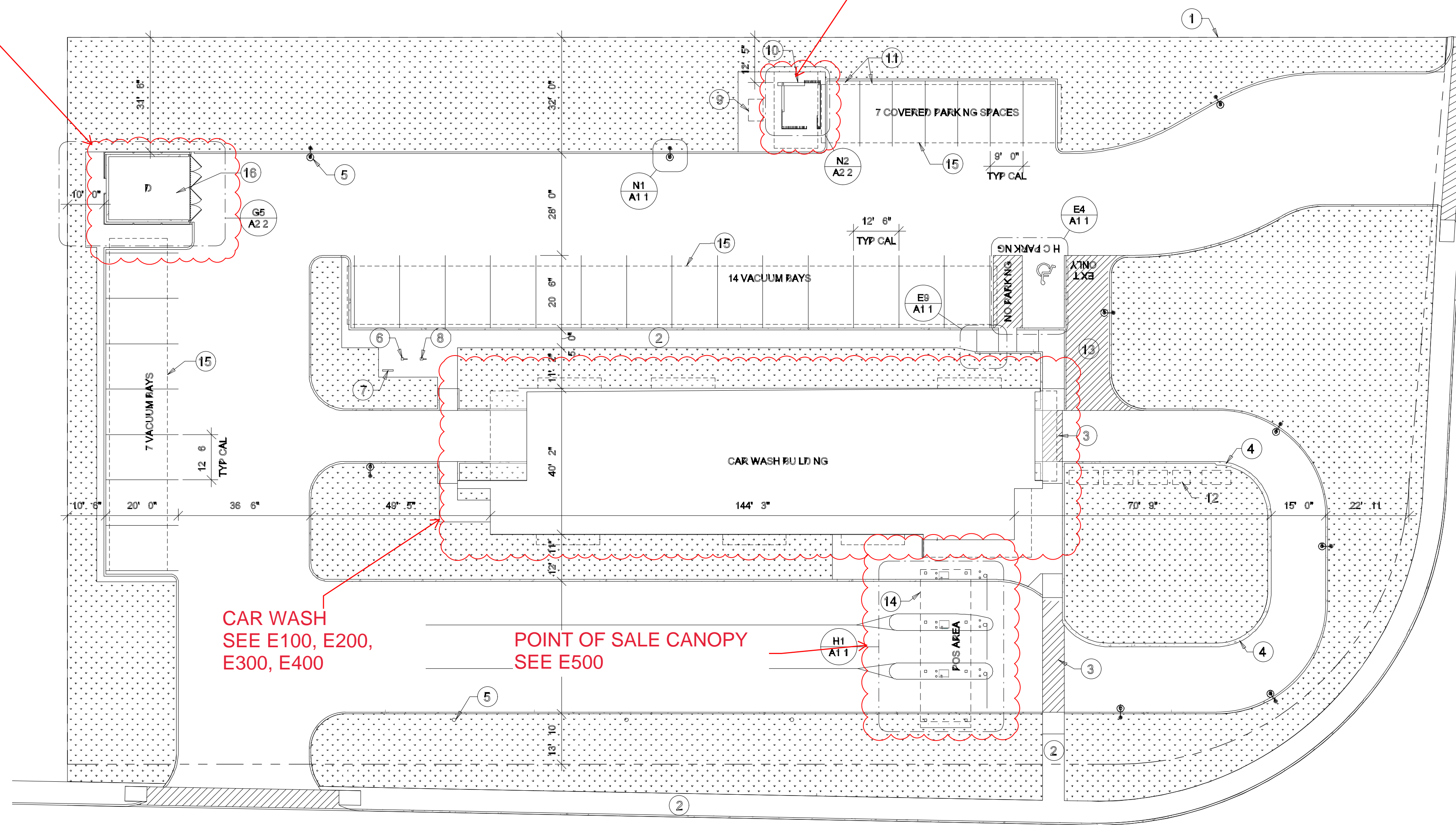


TRASH ENCLOSURE
SEE E600

DOG WASH
SEE E500



CAR WASH
SEE E100, E200,
E300, E400

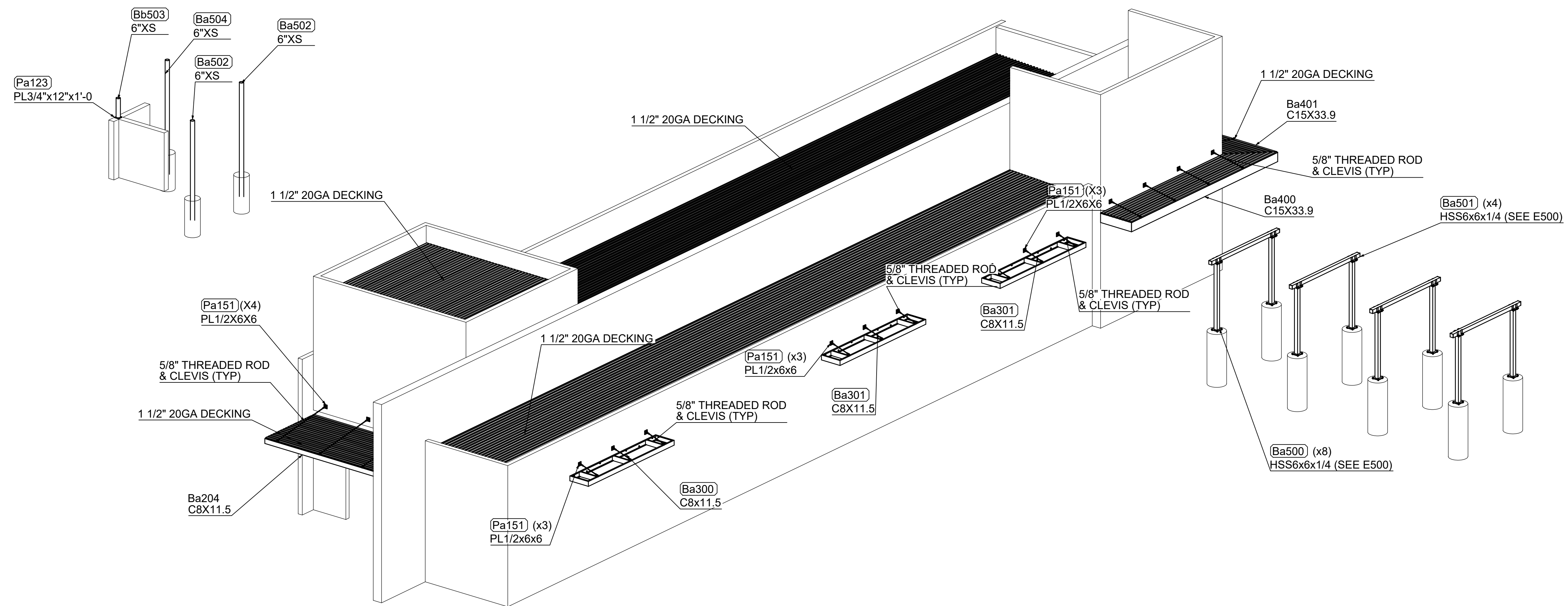
POINT OF SALE CANOPY
SEE E500



STF IRON INC.


647 GALAXY WAY, MODESTO CA. 95356
TEL: (209) 874-6140 LICENSE #: 1088997

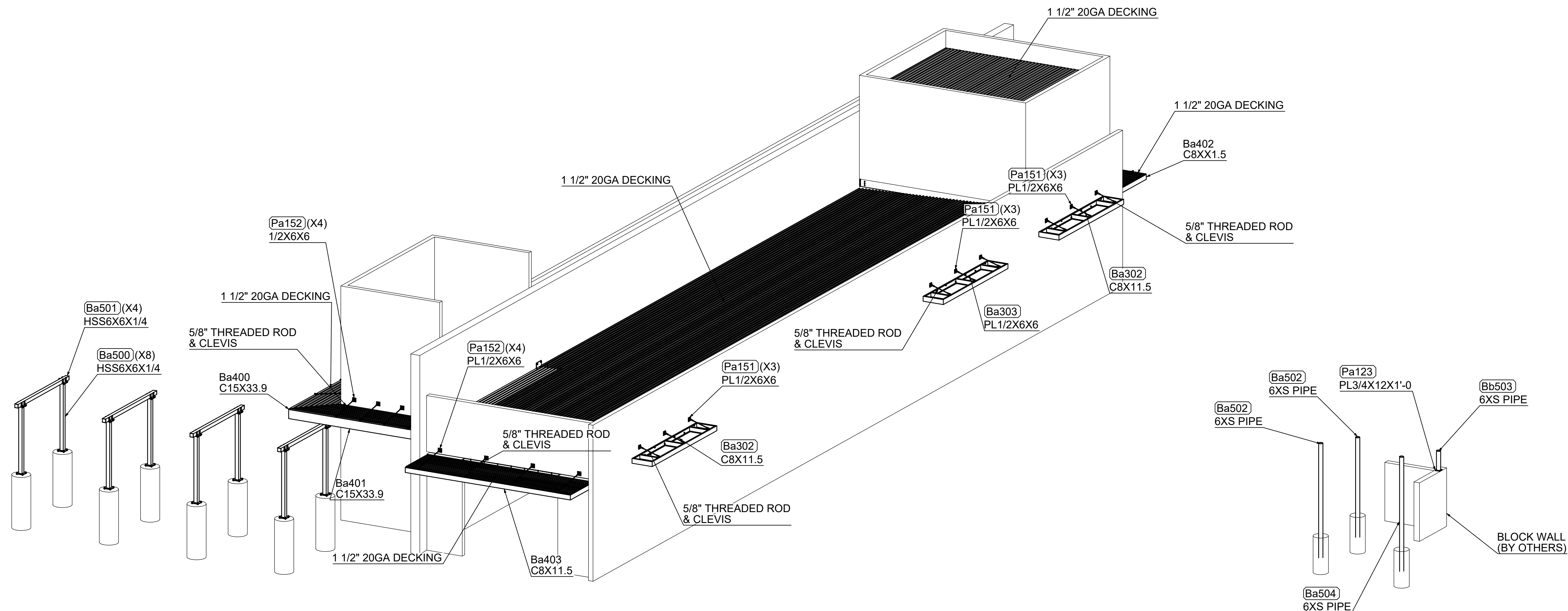
STEEL SCOPE: DAVIS CAR WASH	
PROJ. / CLIENT: STF IRON	
BUILDING:	
LOCATION: 480 MACE BLVD. DAVIS CA.	
DATE: 4/18/2023	STATUS:
DRAWN BY: MJW	JOB NO:
CHECKED BY:	SHEET NO: SITE PLAN
	REV:



**CAR WASH
NORTH WEST ISO VIEW**


REV.	Date	BY	Description
A	3/29/2023	MJW	ISSUED FOR APPROVAL
B	4/20/2023	MJW	REVISED FOR APPROVAL
C	6/6/2023	MJW	REVISED FOR APPROVAL

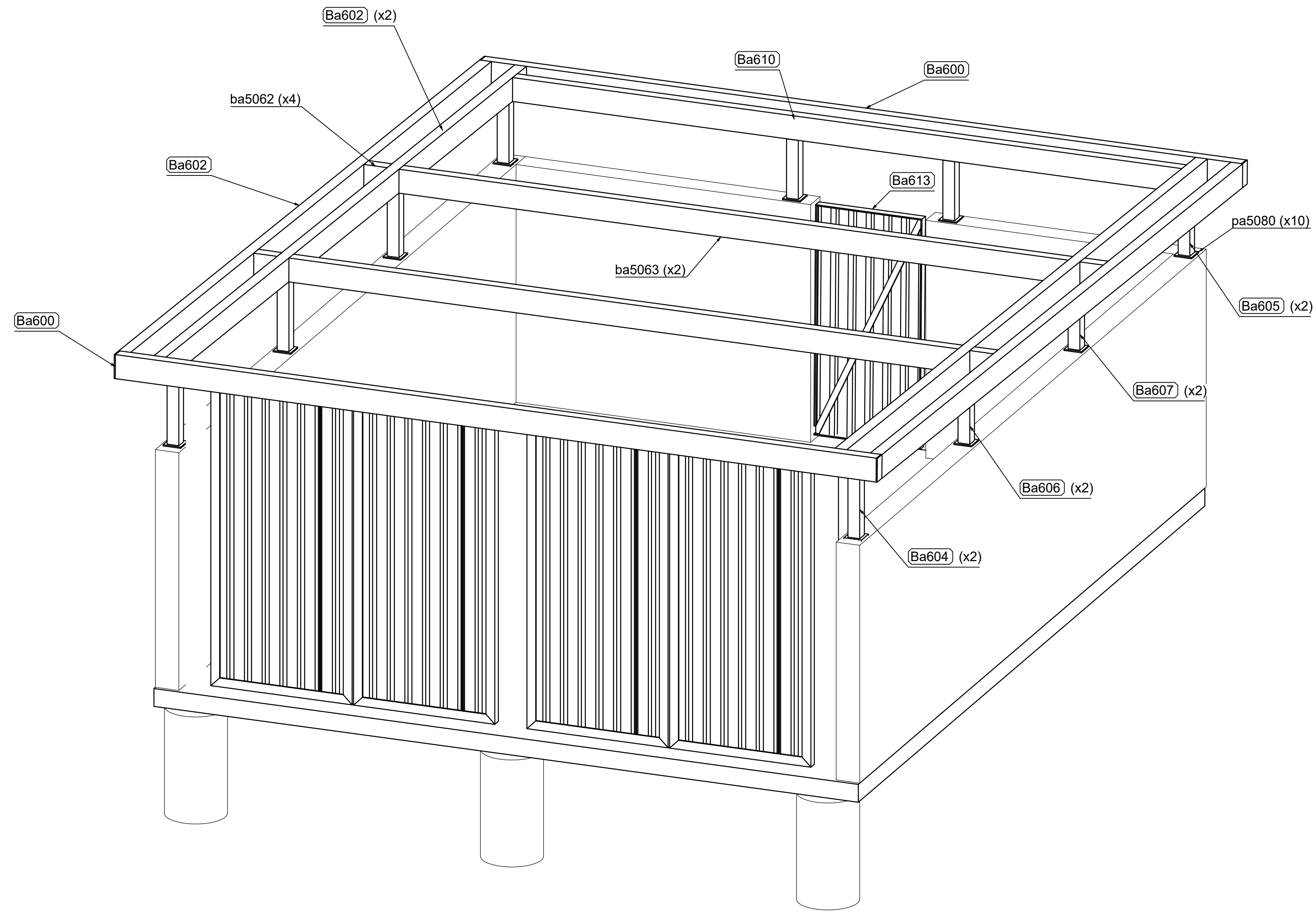
	<h1>STF IRON INC.</h1>		
	647 GALAXY WAY, MODESTO CA. 95356 TEL: (209) 874-6140 LICENSE #: 1088997		
STEEL SCOPE: DAVIS CAR WASH			
PROJ. / CLIENT: STF IRON			
BUILDING:			
LOCATION: 480 MACE BLVD. DAVIS, CA			
DATE: DATE		STATUS: Not Set	
DRAWN BY: MJW	JOB NO:	SHEET NO: ISO-1	REV: C
CHECKED BY: KW			



**CAR WASH
SOUTH EAST ISO VIEW**


REV.	Date	BY	Description
A	3/29/2023	MJW	ISSUED FOR APPROVAL
B	4/20/2023	MJW	REVISED FOR APPROVAL
C	6/6/2023	MJW	REVISED FOR APPROVAL

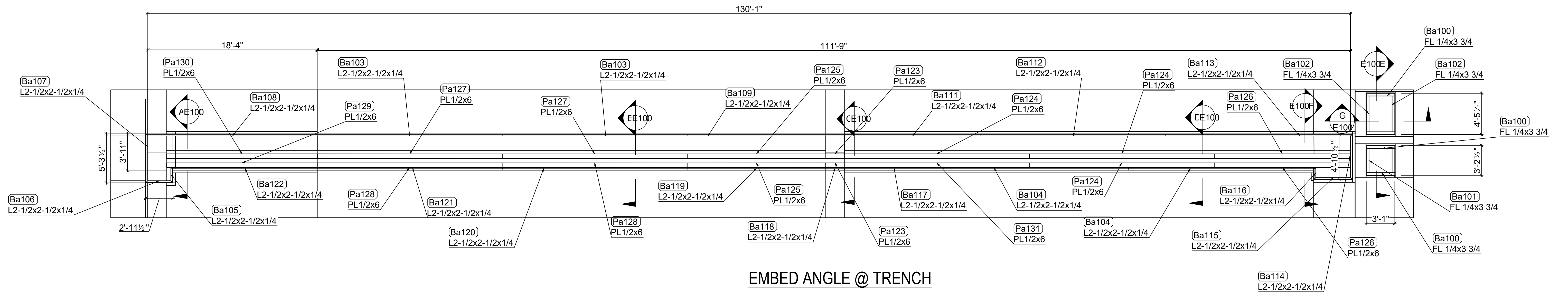
	STF IRON INC. 647 GALAXY WAY, MODESTO CA. 95356 TEL: (209) 874-6140 LICENSE #: 1088997		
	STEEL SCOPE: DAVIS CAR WASH PROJ. / CLIENT: STF IRON BUILDING:		
LOCATION: 480 MACE BLVD. DAVIS, CA		DATE: DATE STATUS: Not Set	
DRAWN BY: MJW	JOB NO:	SHEET NO:	REV:
CHECKED BY: KW		ISO-2	C



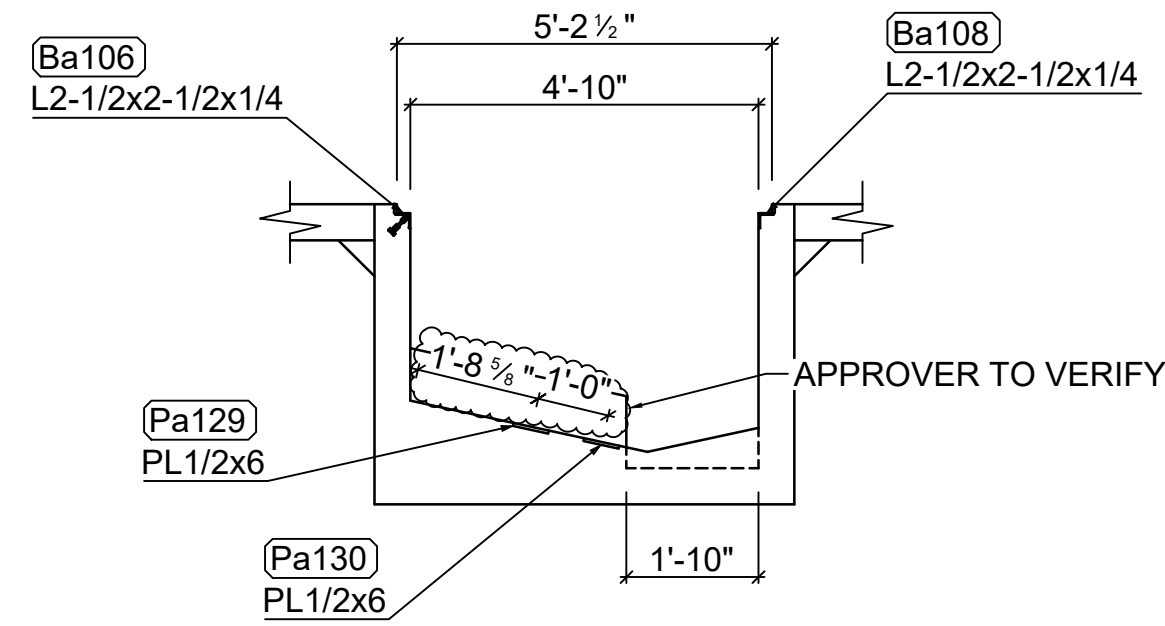
TRASH ENCLOSURE
ISO VIEW

REV.	Date	BY	Description
A	4/18/2023		
B	4/20/2023	MJW	REVISED FOR APPROVAL
C	6/6/2023	MJW	REVISED FOR APPROVAL

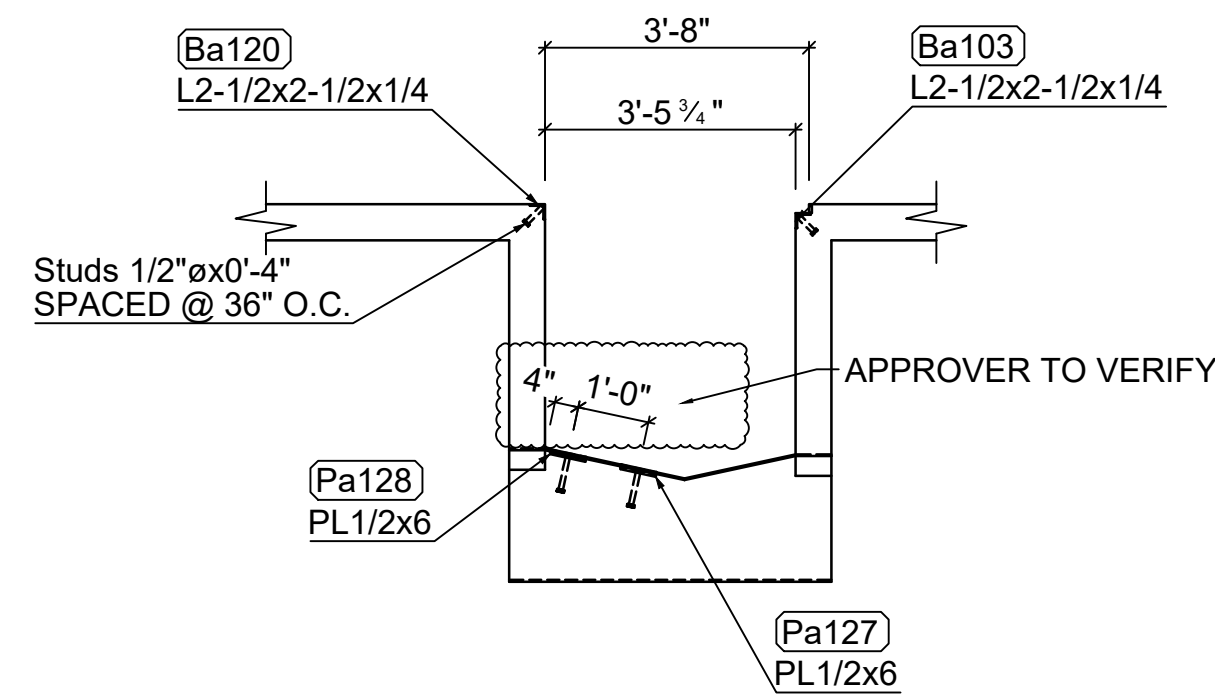
	STF IRON INC. 647 GALAXY WAY, MODESTO CA. 95356 TEL: (209) 874-6140 LICENSE #: 1088997		
	STEEL SCOPE: DAVIS CAR WASH PROJ. / CLIENT: STF IRON BUILDING:		
LOCATION: 480 MCACE BLVD. DAVIS, CA		DATE: DATE STATUS: Not Set	
DRAWN BY: MJW	JOB NO:	SHEET NO:	REV:
CHECKED BY: KW		ISO-3	C



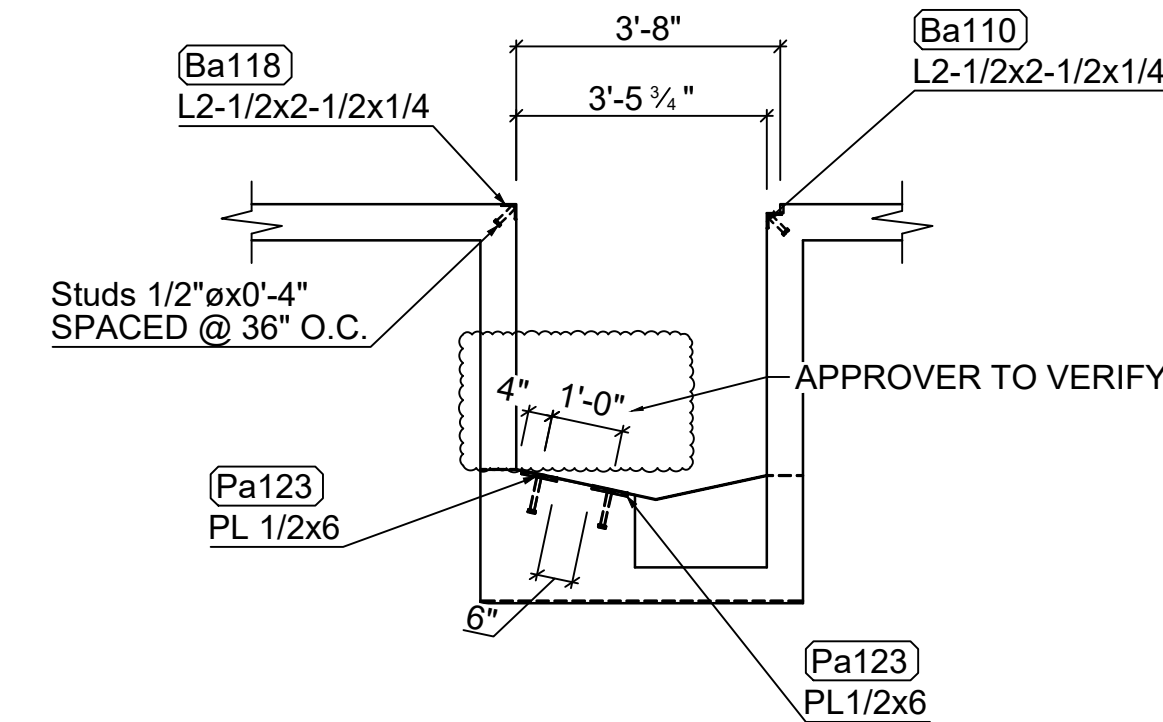
EMBED ANGLE @ TRENCH



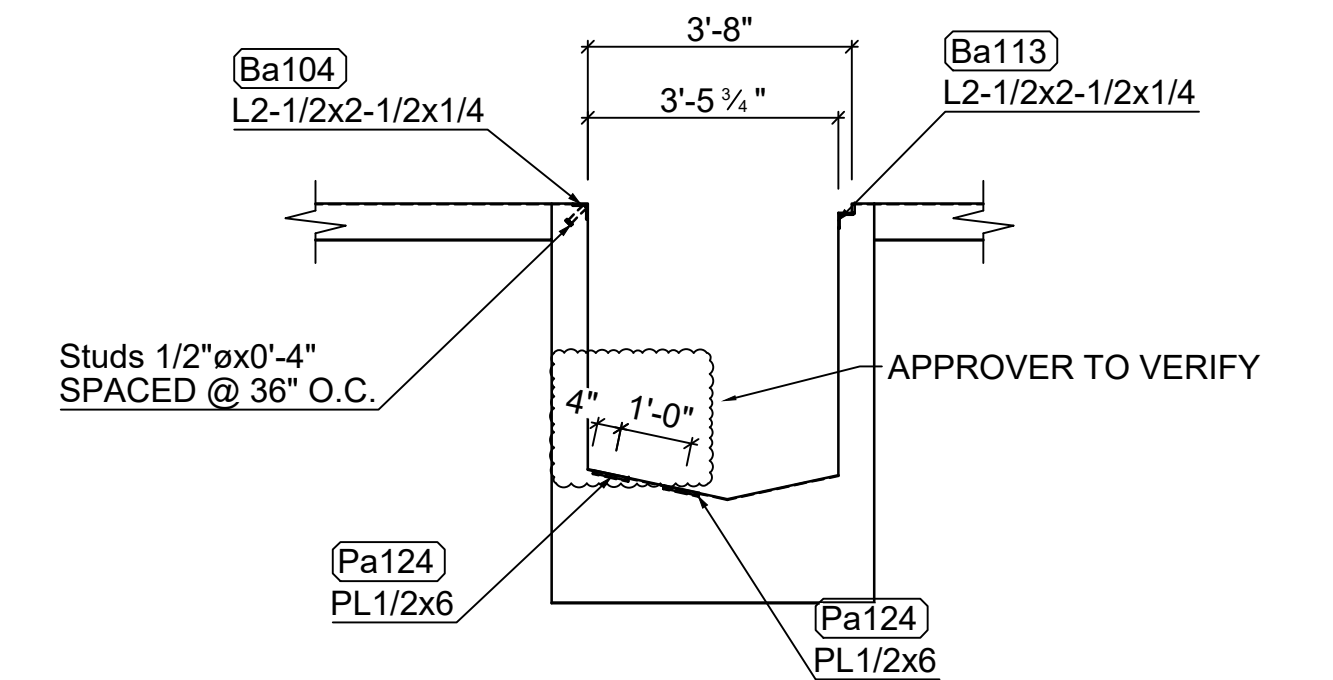
Section A - A



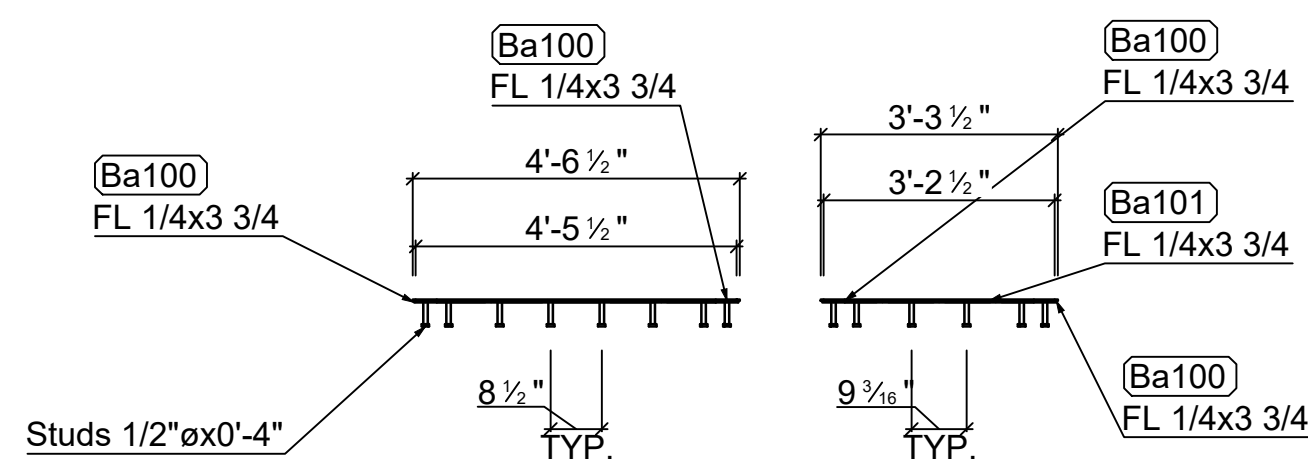
Section B - B



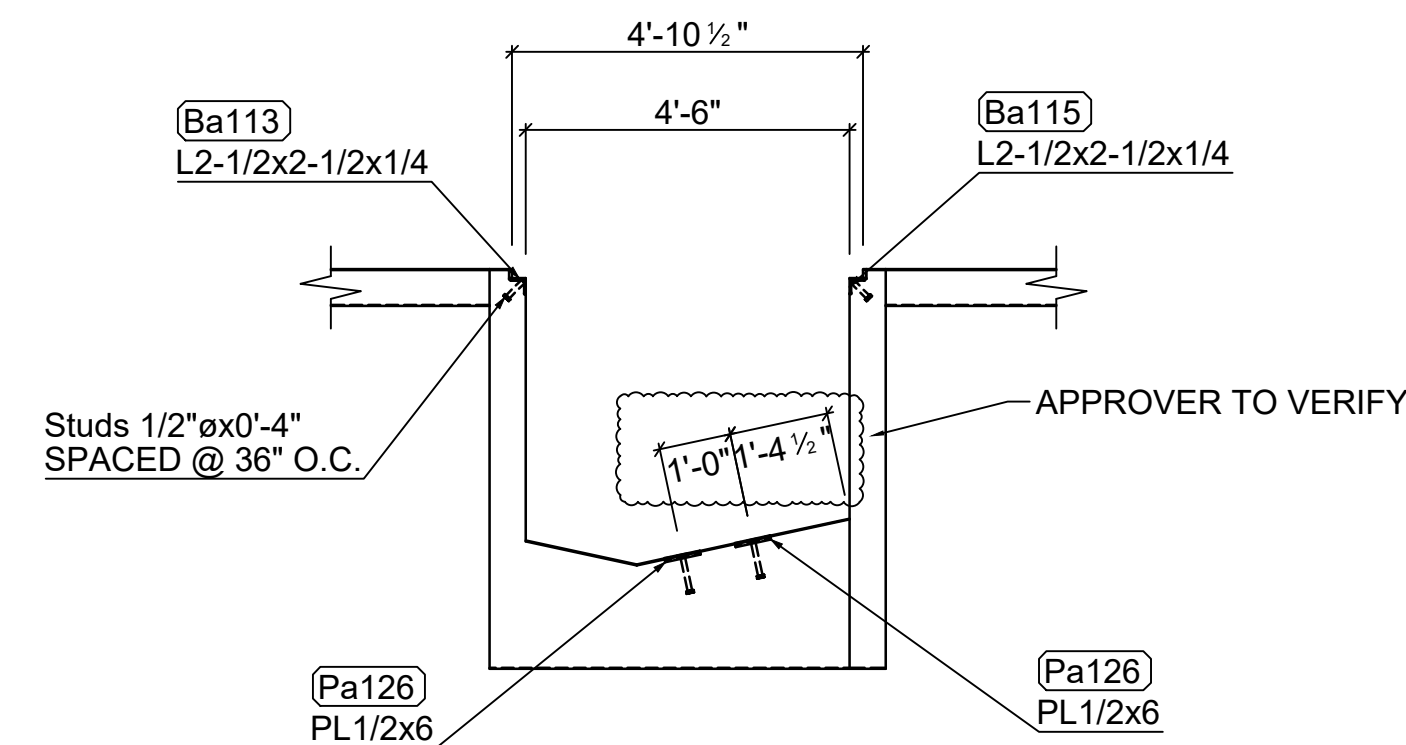
Section C - C



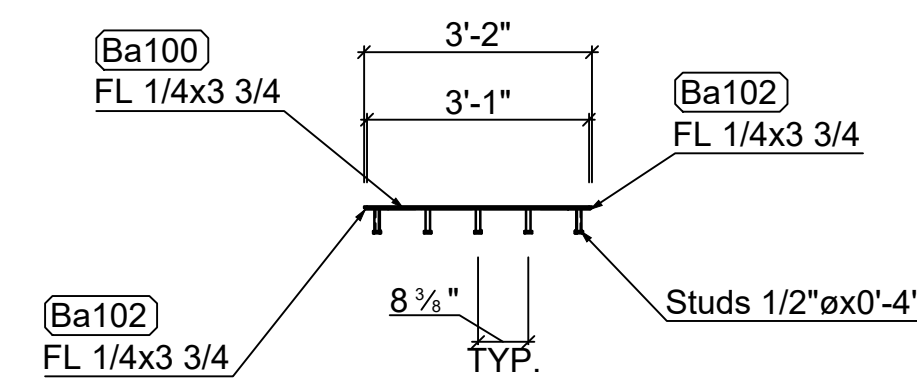
Section D - D



Section E - E



Section F - F



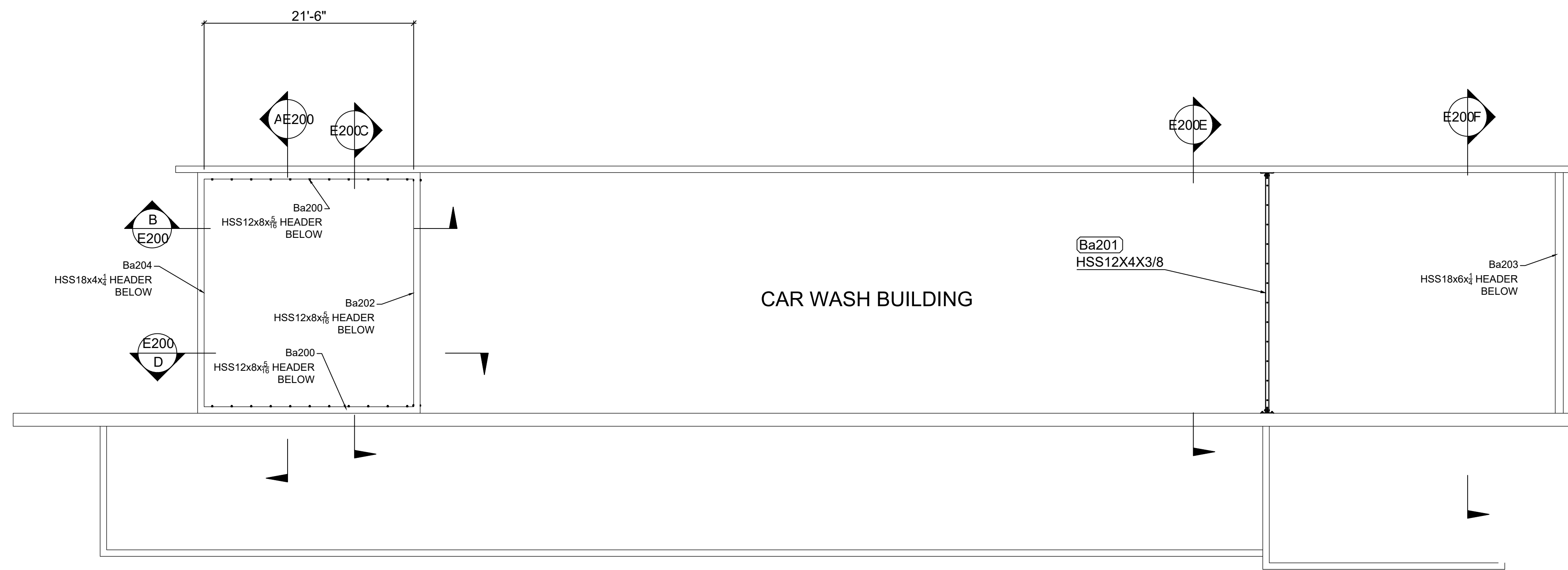
Section G - G

3D view

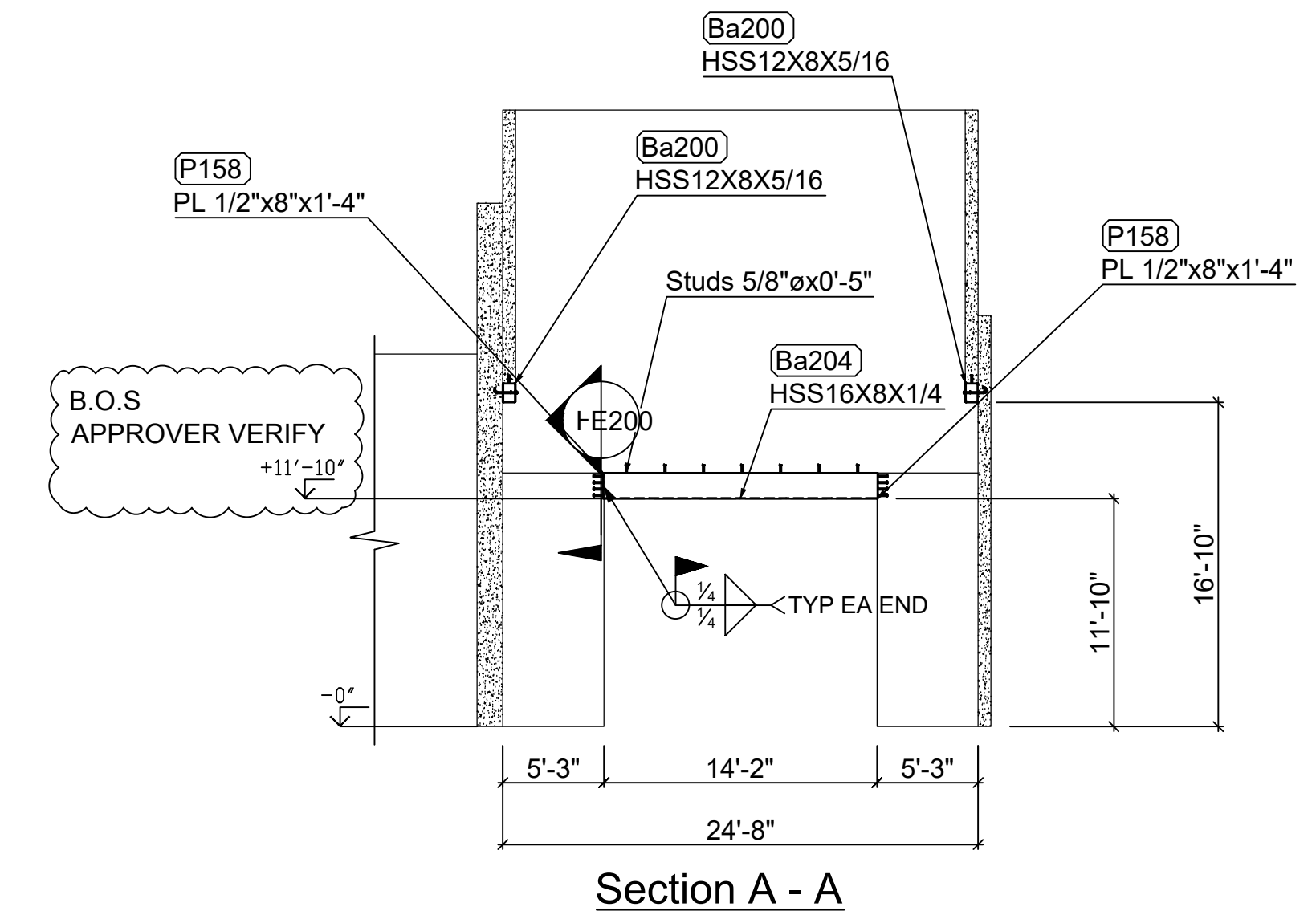
REV.	Date	BY	Description
A	3/29/2023	MJW	ISSUED FOR APPROVAL
B	4/20/2023	MJW	REVISED FOR APPROVAL
C	6/6/2023	MJW	REVISED FOR APPROVAL

STF IRON INC.
 647 GALAXY WAY, MODESTO CA. 95356
 TEL: (209) 874-6140 LICENSE #: 1088997

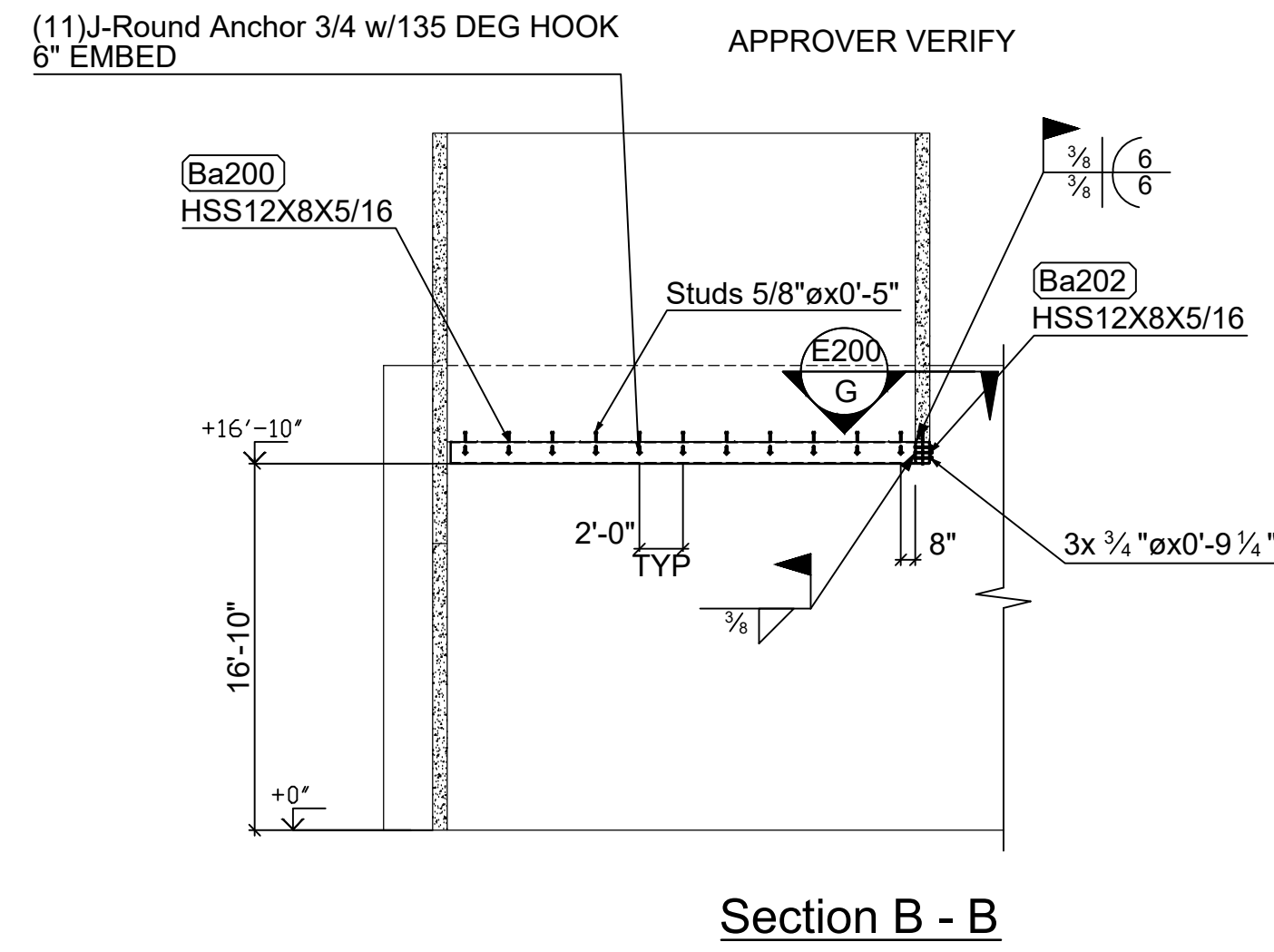
STEEL SCOPE: DAVIS CAR WASH	
PROJ. / CLIENT: STF IRON	
BUILDING:	
LOCATION: 480 MCACE BLVD. DAVIS, CA	
DATE:	DATE
STATUS: Not Set	
DRAWN BY: MJW	JOB NO:
CHECKED BY: KW	SHEET NO: E100
	REV: C



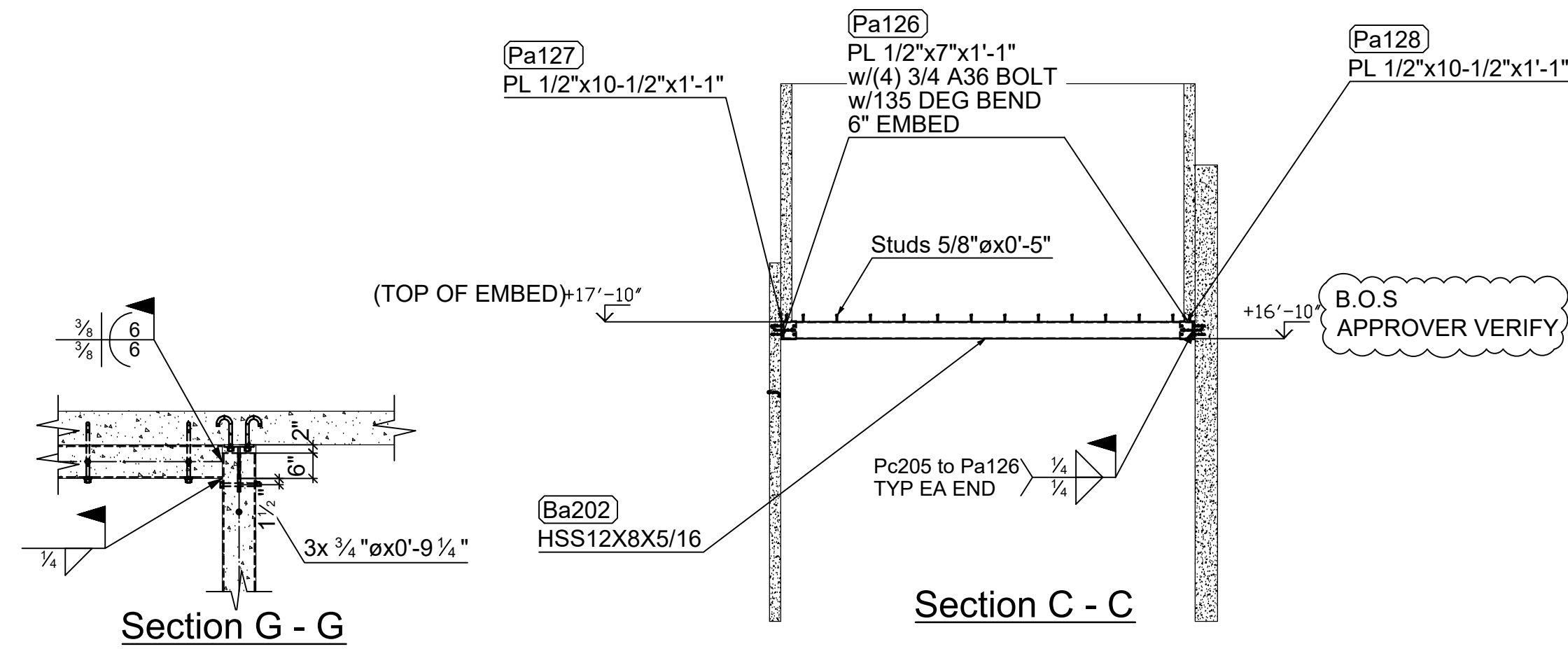
STEEL FRAMING - BUILDING PLAN VIEW



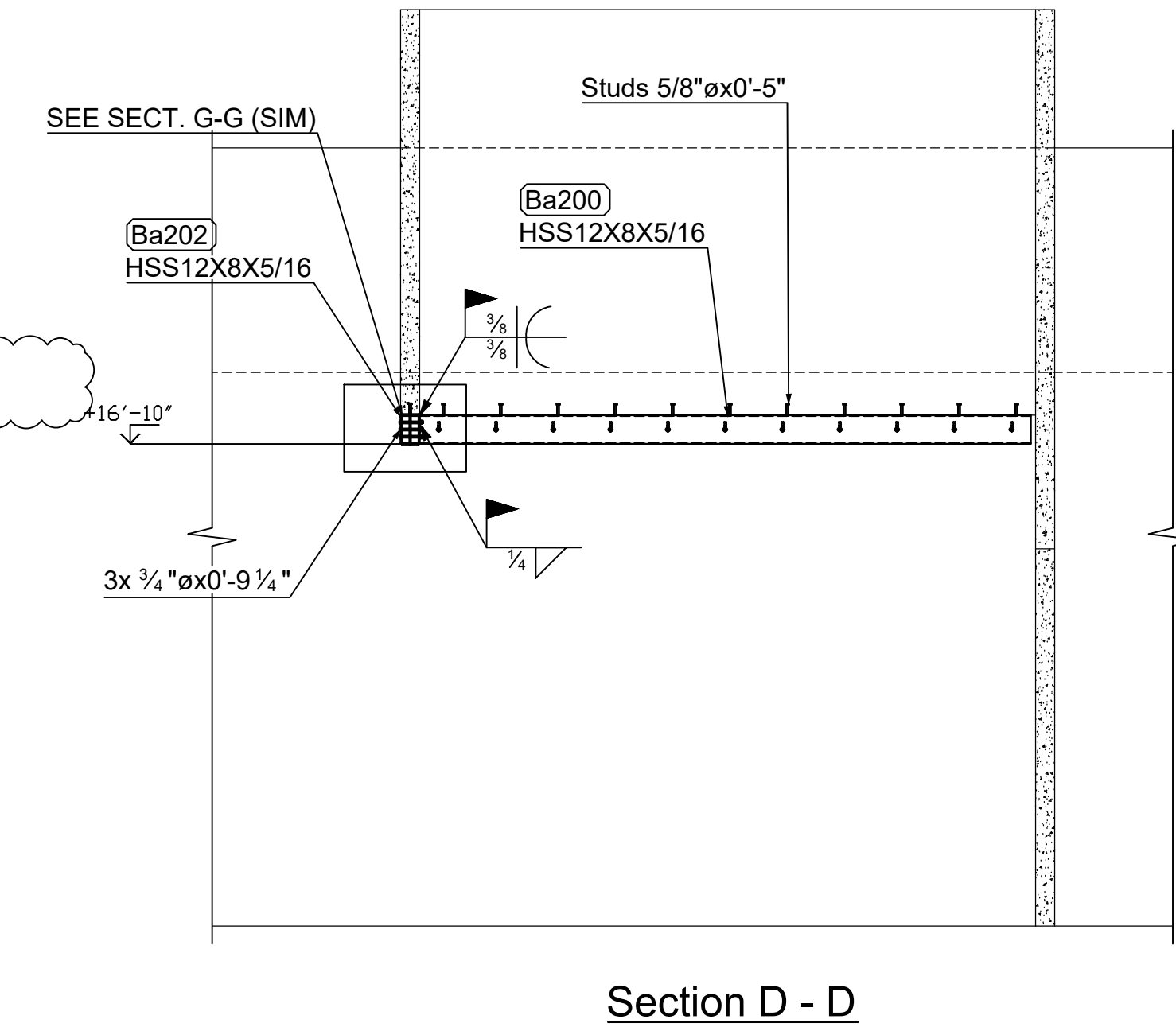
Section A - A



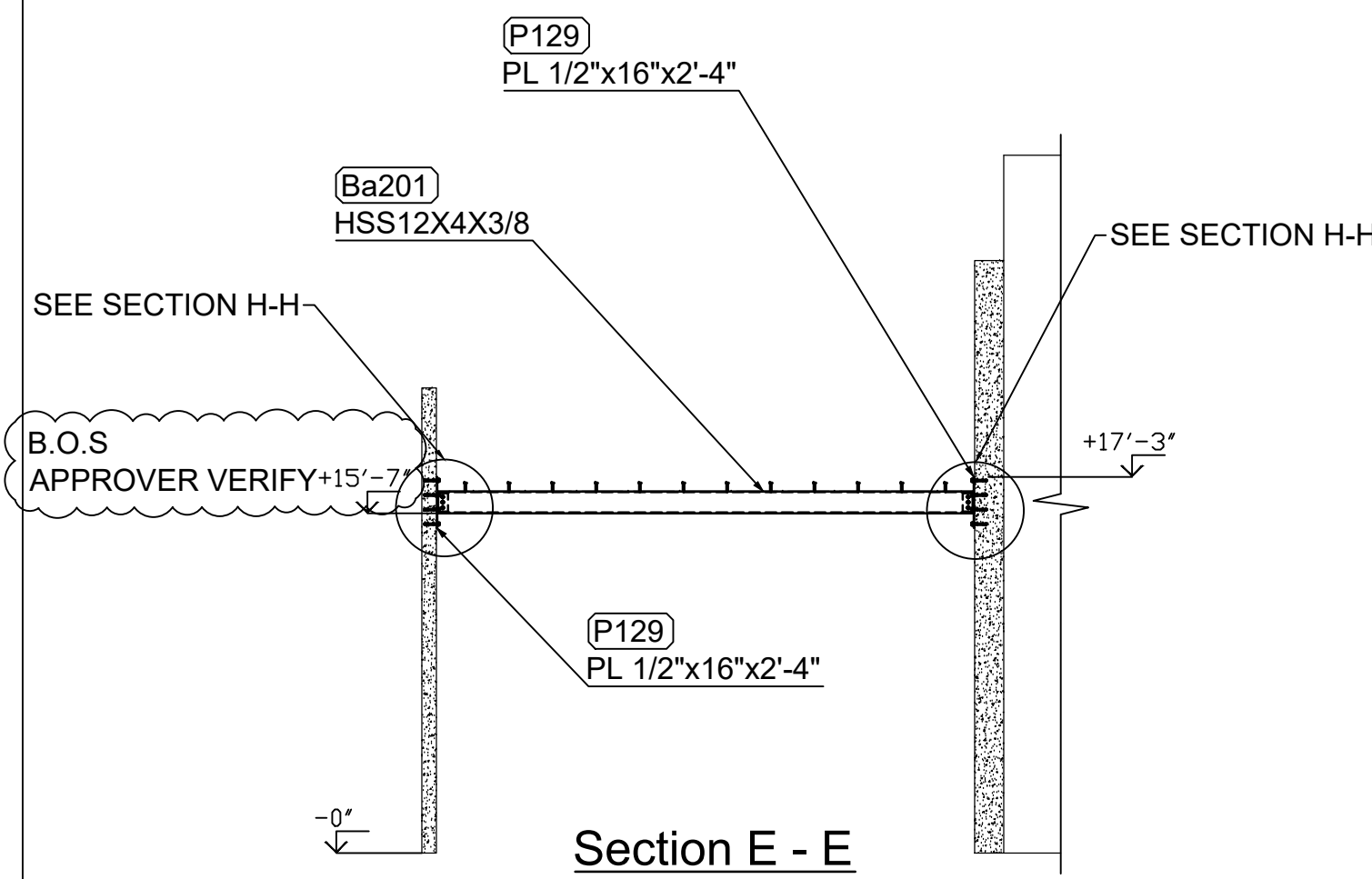
Section B - B



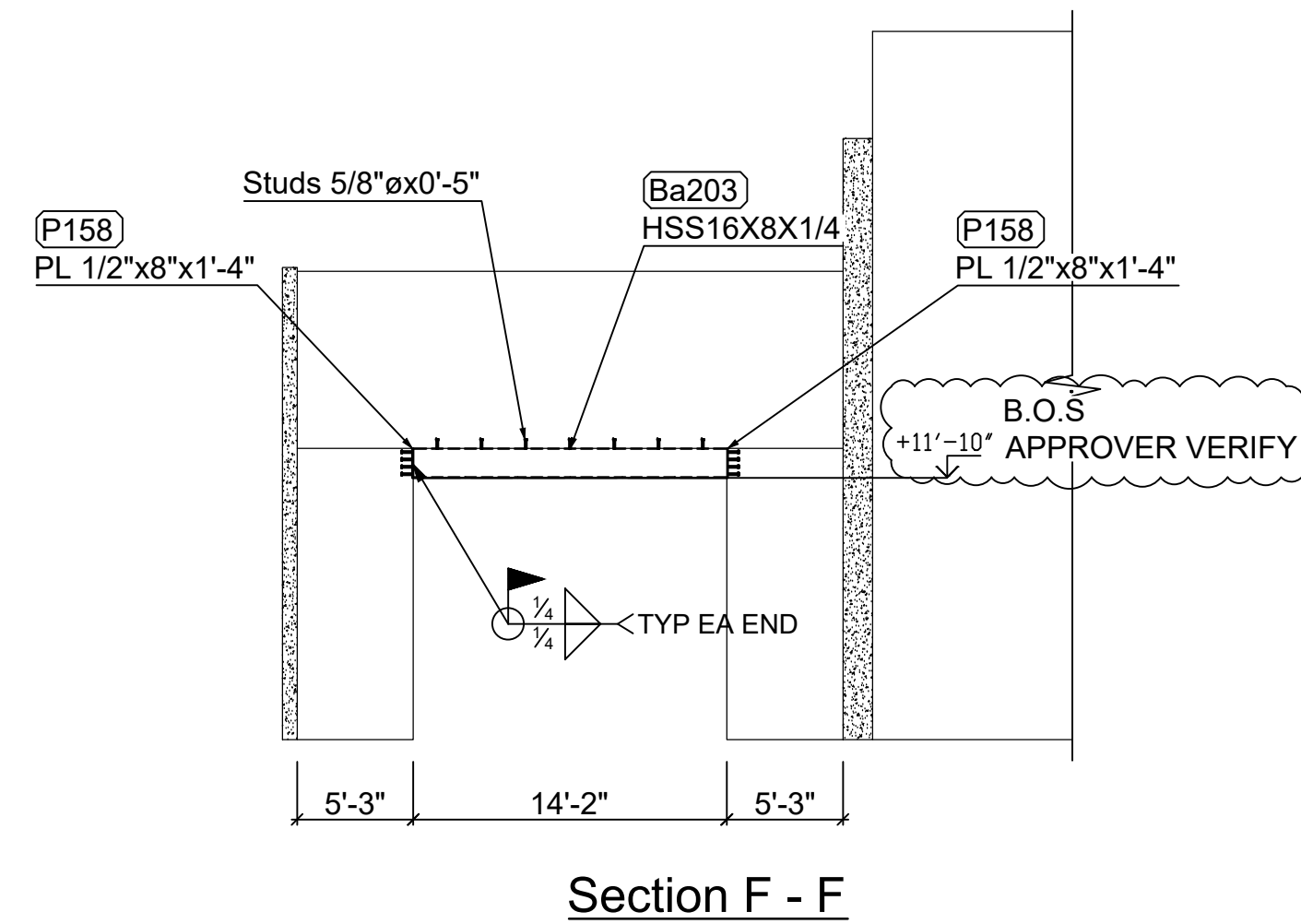
Section C - C



Section D - D



Section E - E

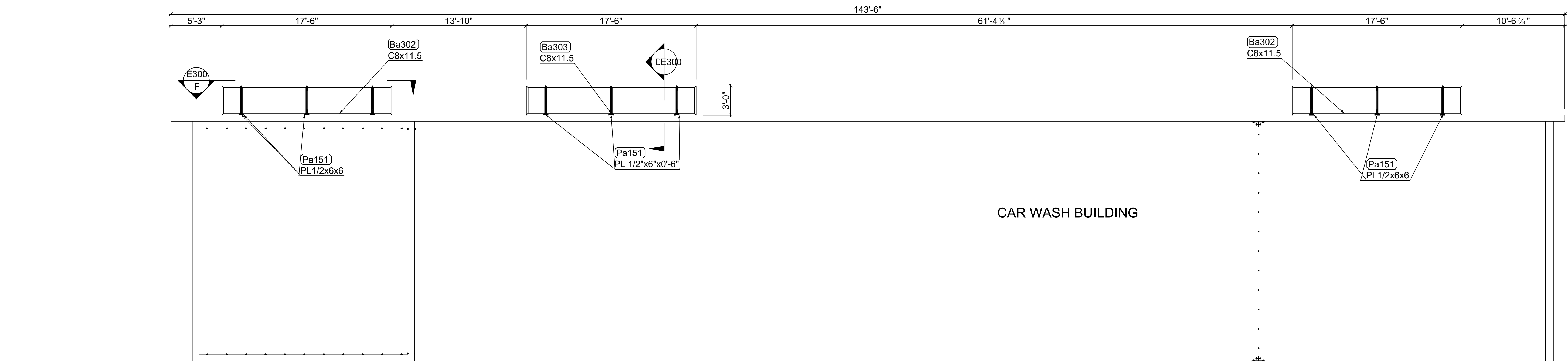


Section F - F

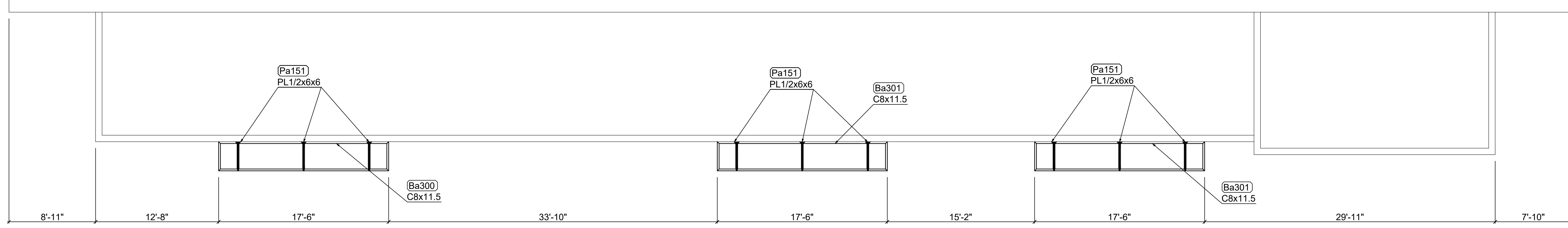
REV.	Date	BY	Description
A	3/29/2023	MJW	ISSUED FOR APPROVAL
B	4/20/2023	MJW	REVISED FOR APPROVAL
C	6/6/2023	MJW	REVISED FOR APPROVAL

STF IRON INC.
 647 GALAXY WAY, MODESTO CA. 95356
 TEL: (209) 874-6140 LICENSE #: 1088997

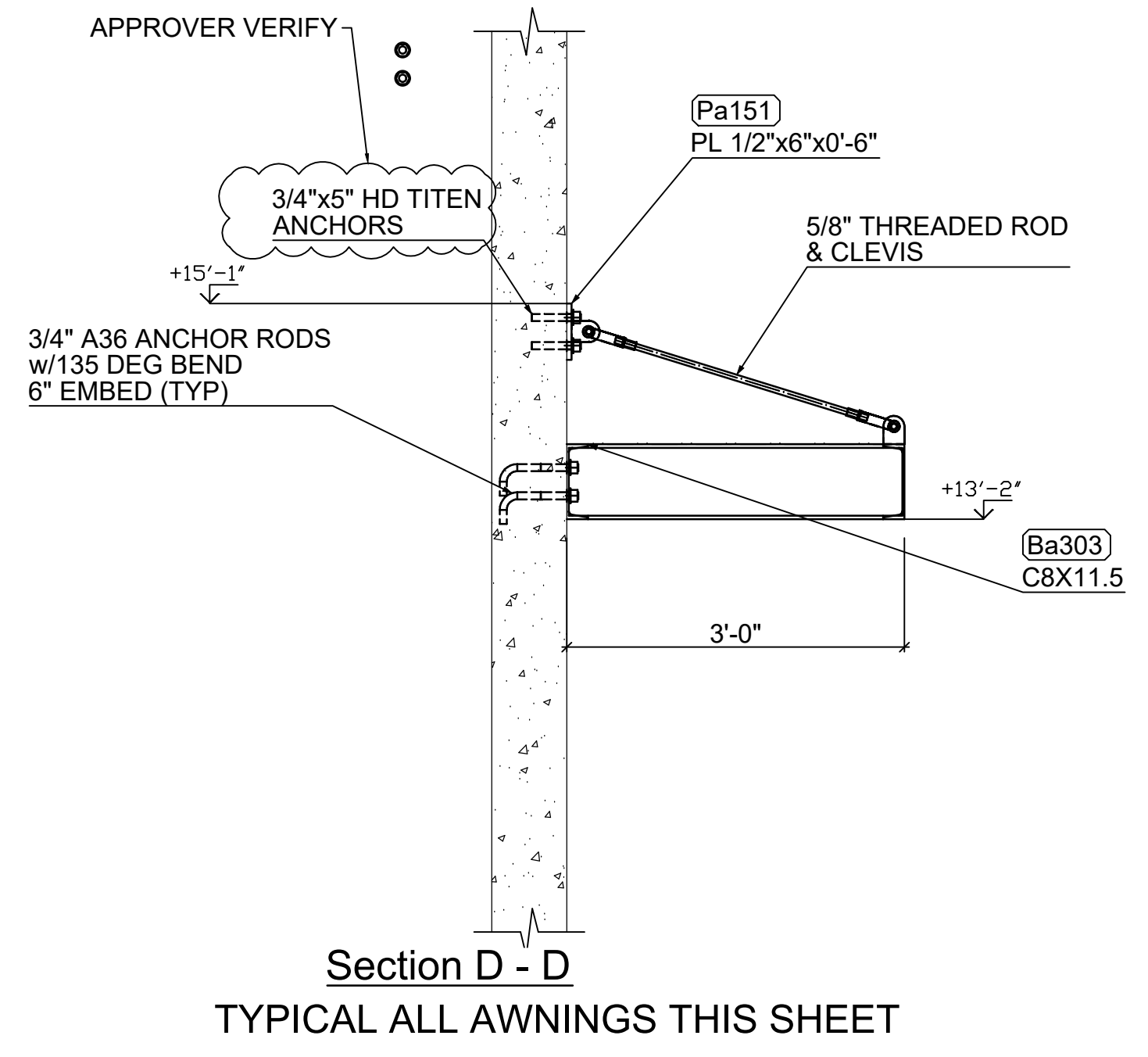
STEEL SCOPE: DAVIS CAR WASH	
PROJ. / CLIENT: STF IRON	
BUILDING:	
LOCATION: 480 MACE BLVD. DAVIS, CA	
DATE:	DATE
STATUS: Not Set	
DRAWN BY: MJW	JOB NO:
CHECKED BY: KW	
SHEET NO: E200	REV: C



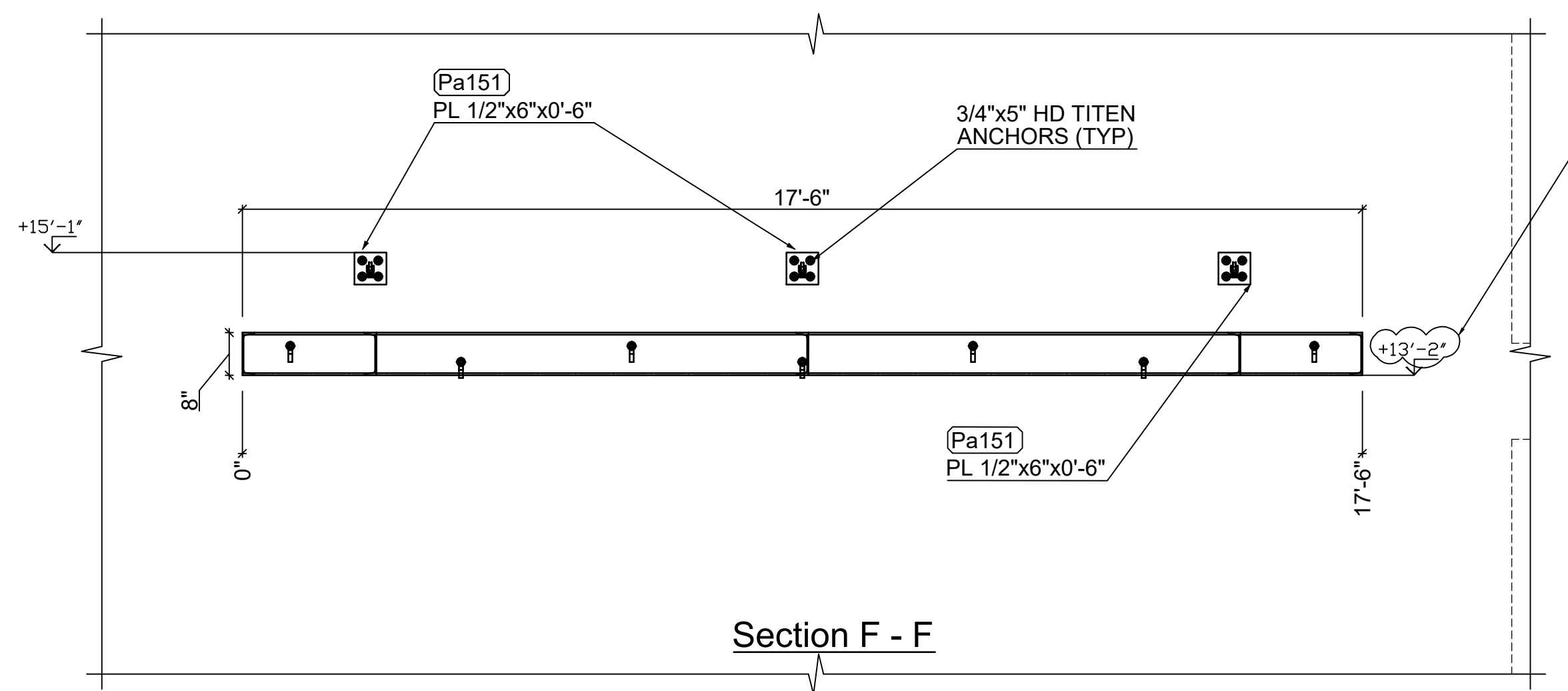
CAR WASH BUILDING



STEEL AWNING (TYPE 1) - BUILDING PLAN VIEW



Section D - D
TYPICAL ALL AWNINGS THIS SHEET

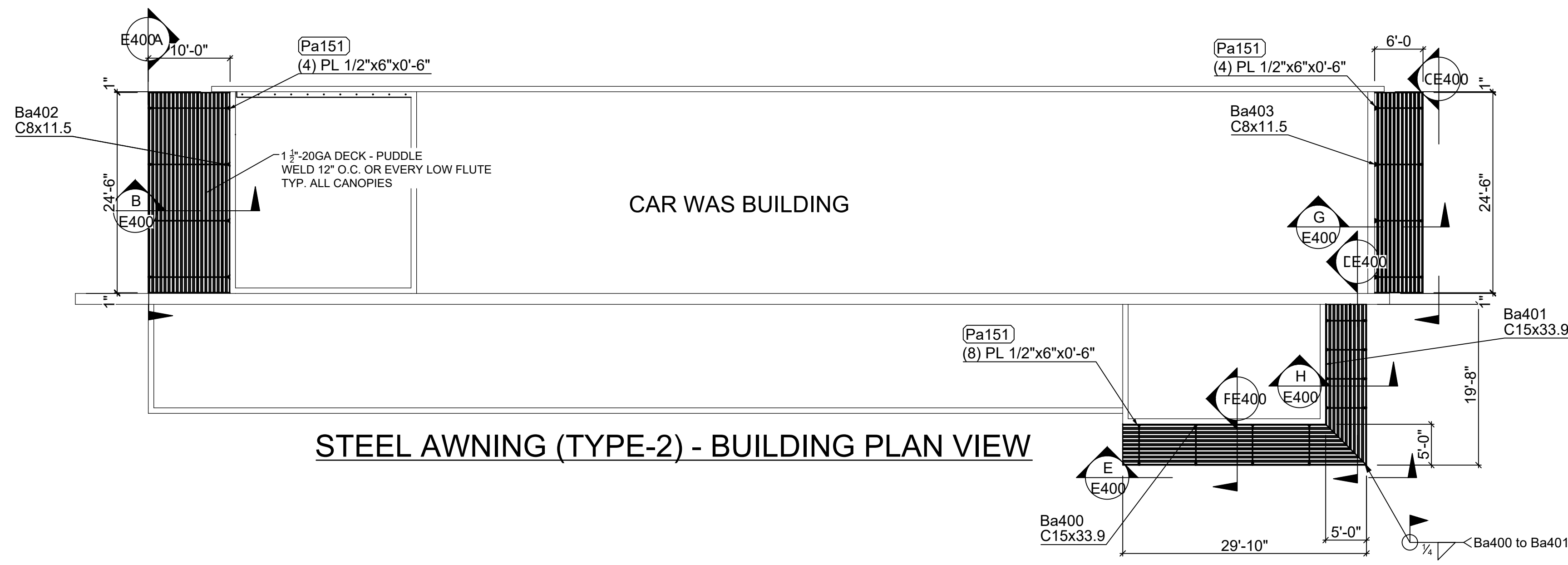


Section F - F
TYPICAL ALL AWNINGS THIS SHEET

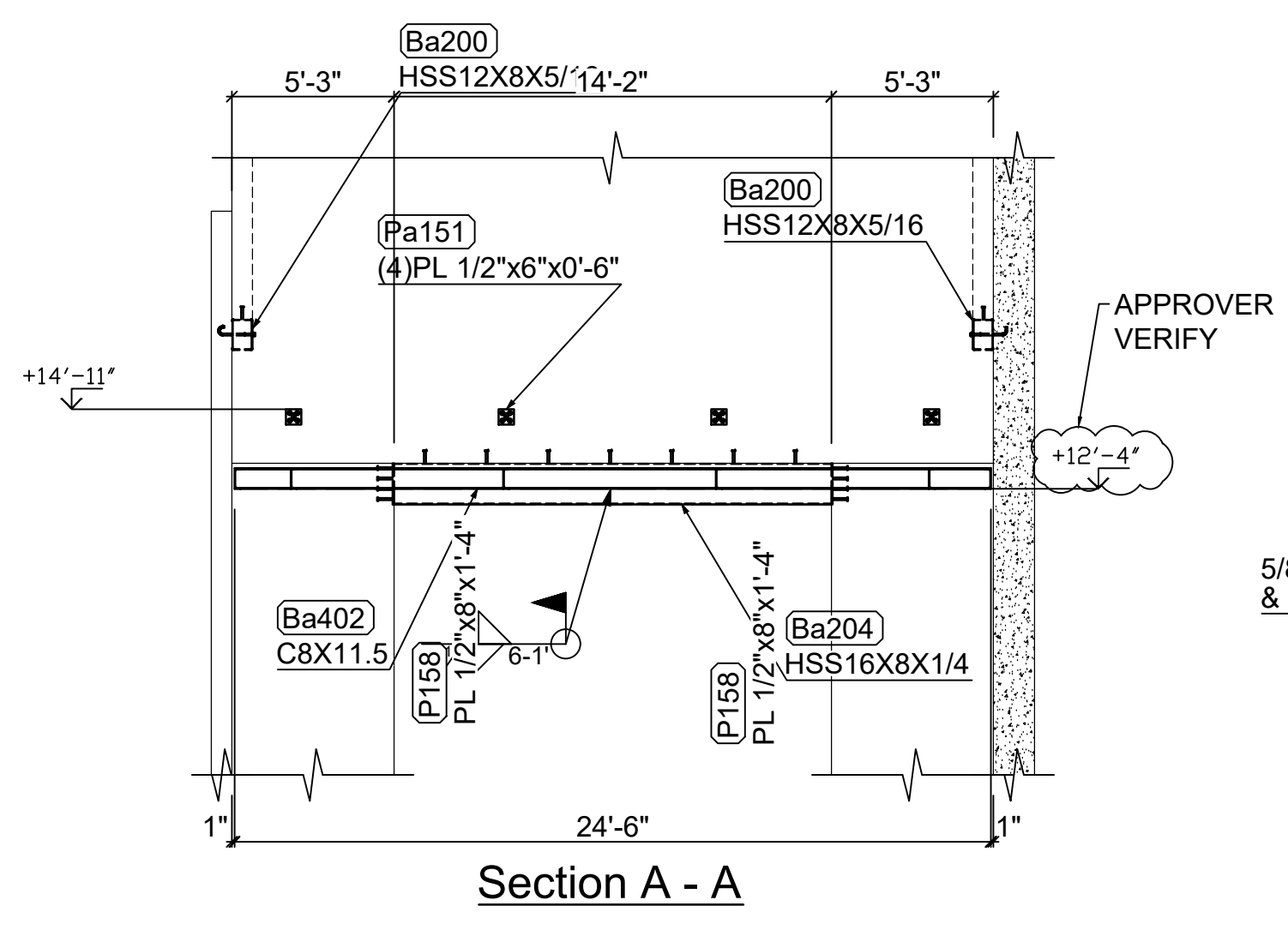
REV.	Date	BY	Description
A	3/29/2023	MJW	ISSUED FOR APPROVAL
B	4/20/2023	MJW	REVISED FOR APPROVAL
C	6/6/2023	MJW	REVISED FOR APPROVAL

STF IRON INC.
 647 GALAXY WAY, MODESTO CA. 95356
 TEL: (209) 874-6140 LICENSE #: 1088997

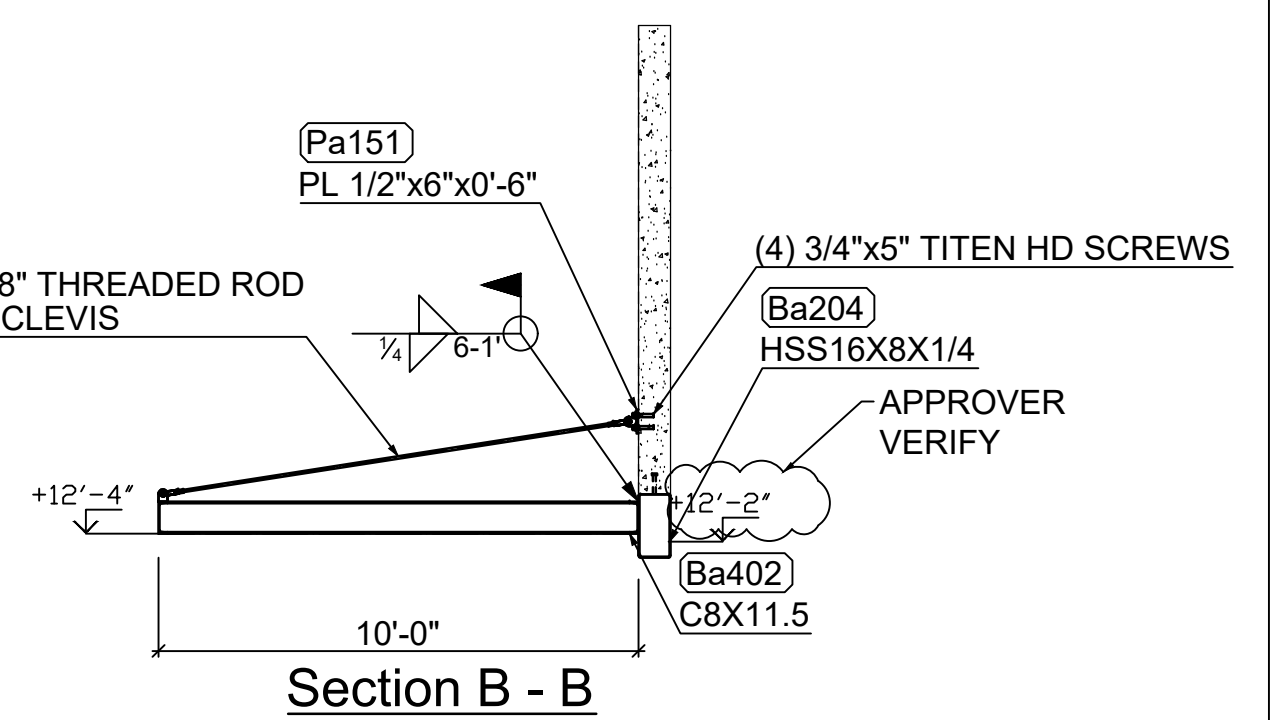
STEEL SCOPE: DAVIS CAR WASH	
PROJ. / CLIENT: STF IRON	
BUILDING:	
LOCATION: 480 MACE BLVD. DAVIS, CA	
DATE:	DATE
STATUS: Not Set	
DRAWN BY: MJW	JOB NO:
CHECKED BY: KW	
SHEET NO: E300	REV: C



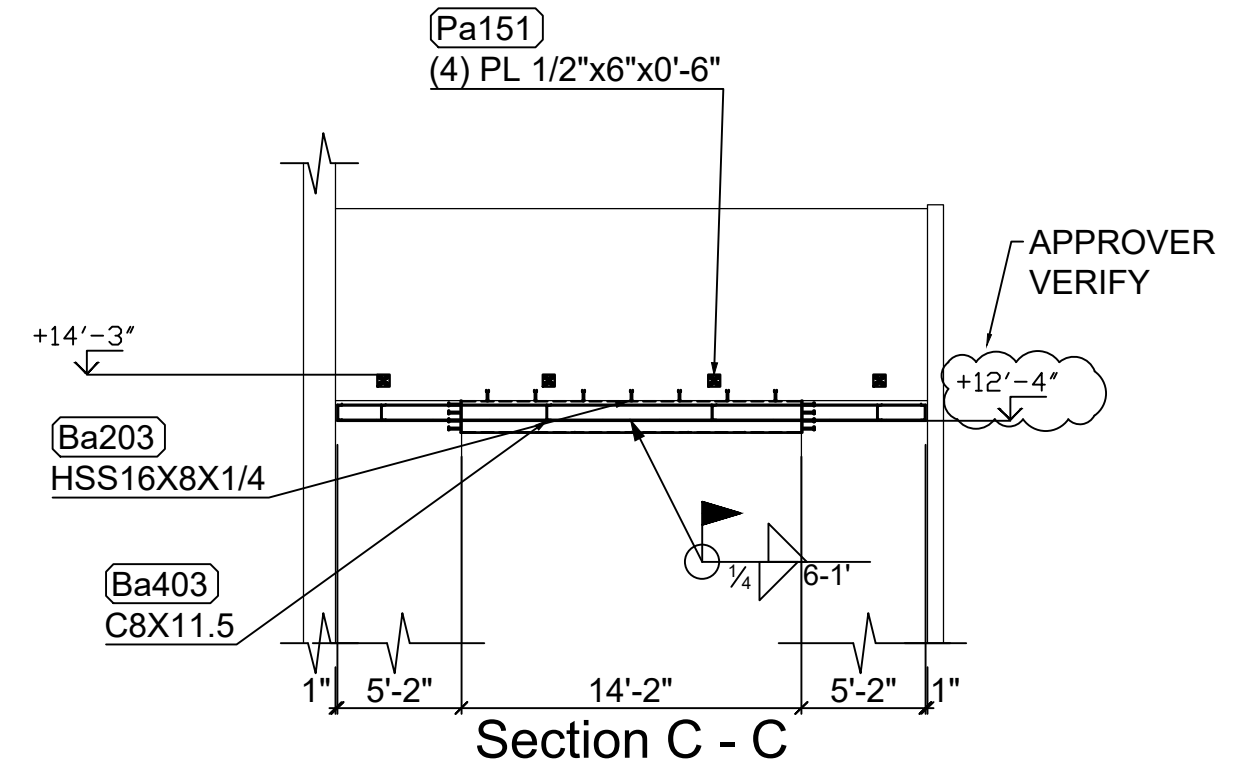
STEEL AWNING (TYPE-2) - BUILDING PLAN VIEW



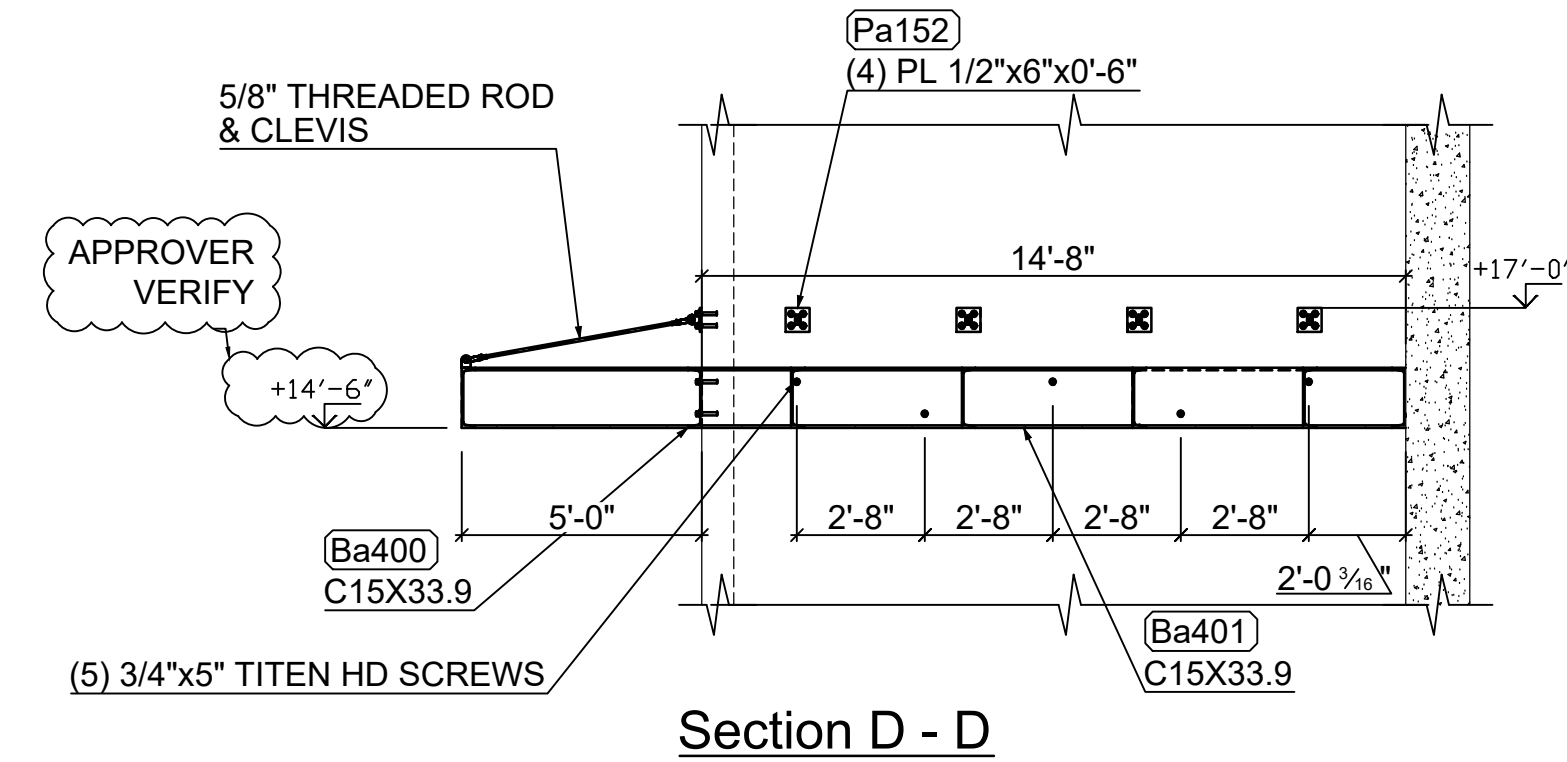
Section A - A



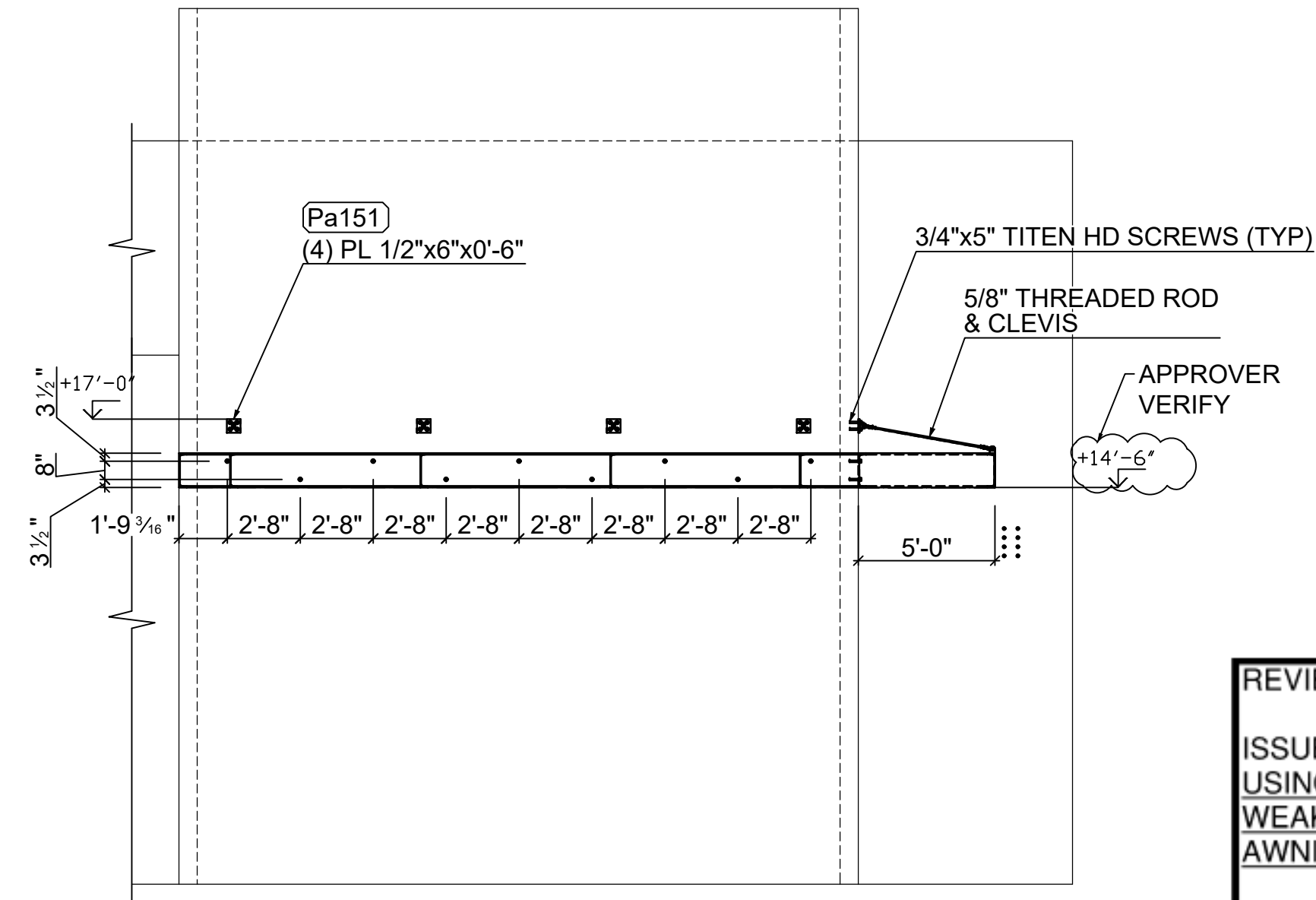
Section B - B



Section C - C



Section D - D



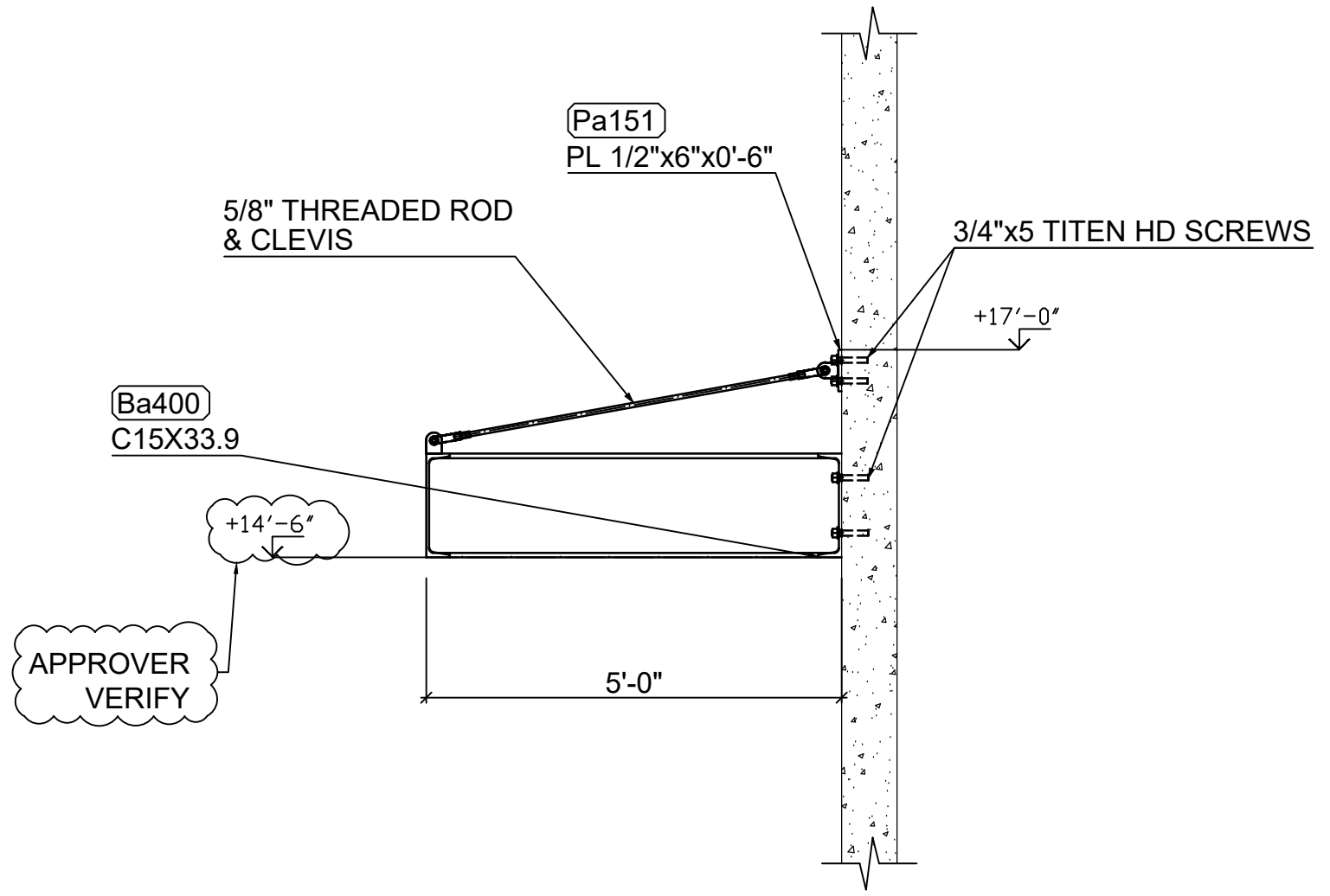
Section E - E

REVIEWER TO CONFIRM & APPROVE OF MODIFICATIONS

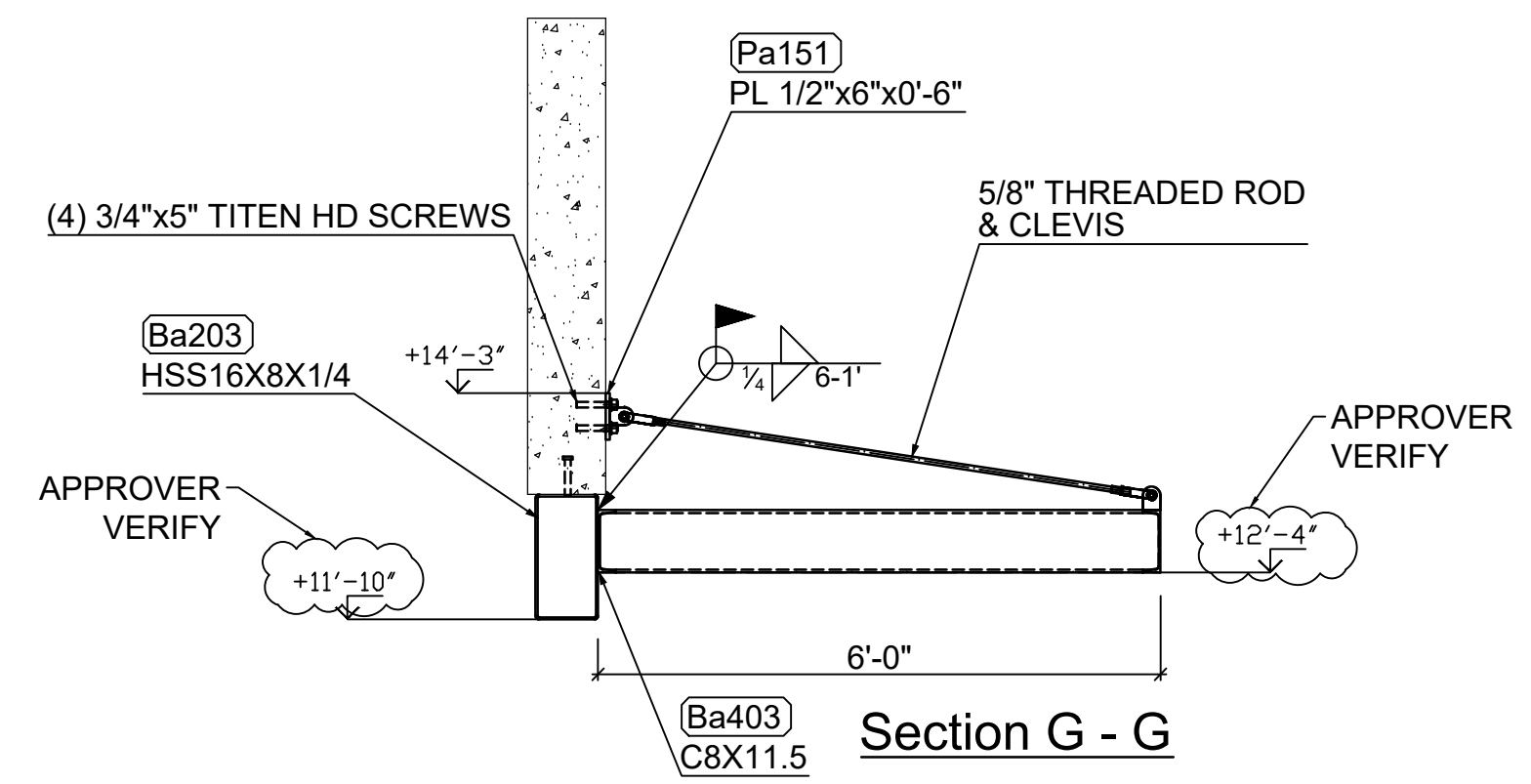
ISSUE: THE STEEL AWNING IS CONNECTED TO THE WALL USING 3/4" TITEN HD ANCHOR. THESE AWNINGS MAY WEAKEN OR FAIL, DUE TO THE WEIGHT OF THE STEEL AWNING

SOLUTION: STF SUGGESTS INSTALLING WALL-MOUNTED CLEVIS TIE-BACK CONNECTION & CROSS BEAM TO PROVIDE ADDITIONSL SUPPORT FOR THE WEIGHT OF THE STEEL AWNING. PER OUR SAFE BUILDING PRACTICES. SEE CLEVIS CONNECTION DETAIL, FOR CLARITY.

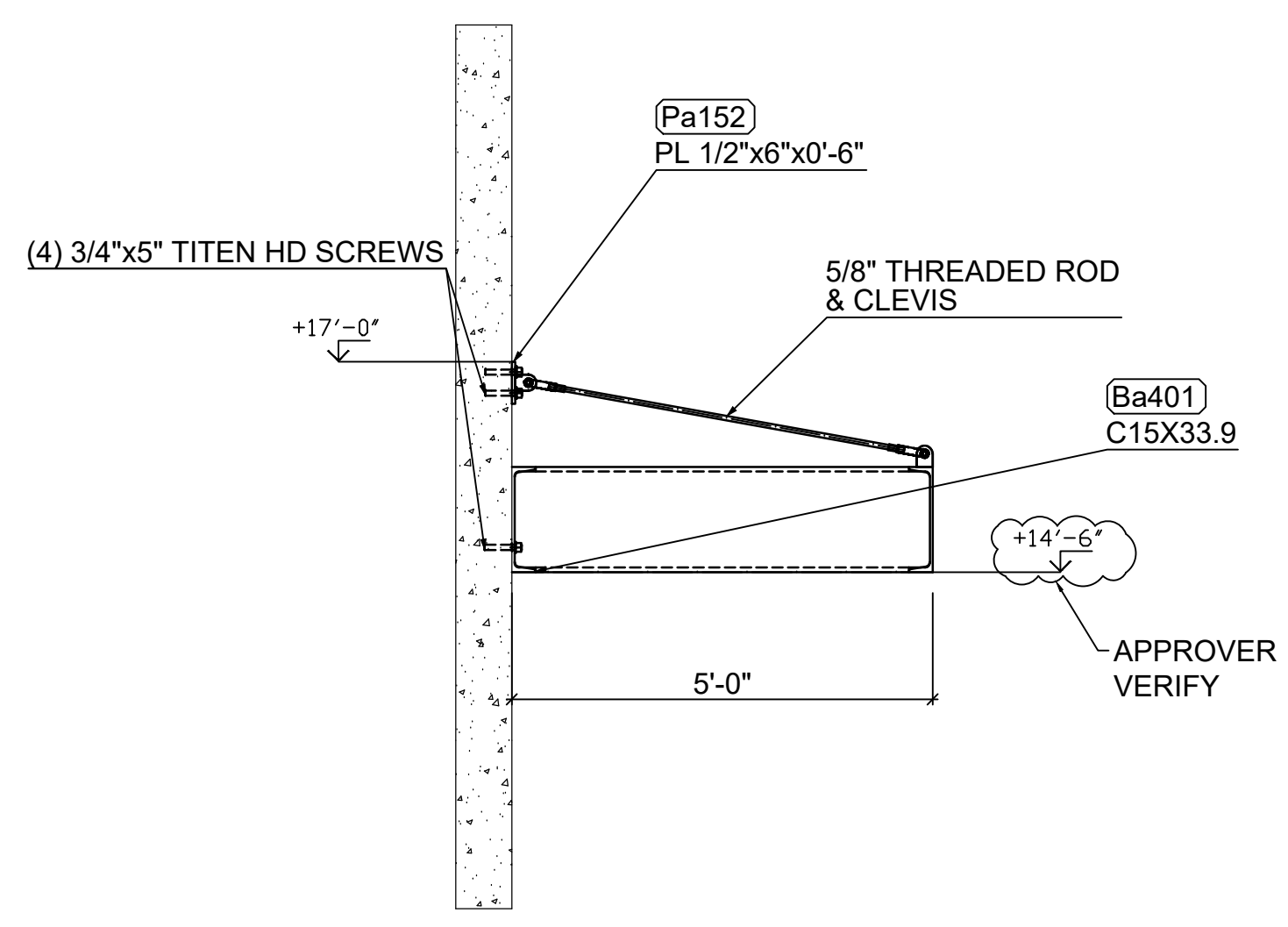
NOTE: STF WILL PROVIDE A COST BREAKDOWN TH THE G.C.IF THIS CONNECTION UPGRADE IS APPROVED BY G.C.



Section F - F



Section G - G



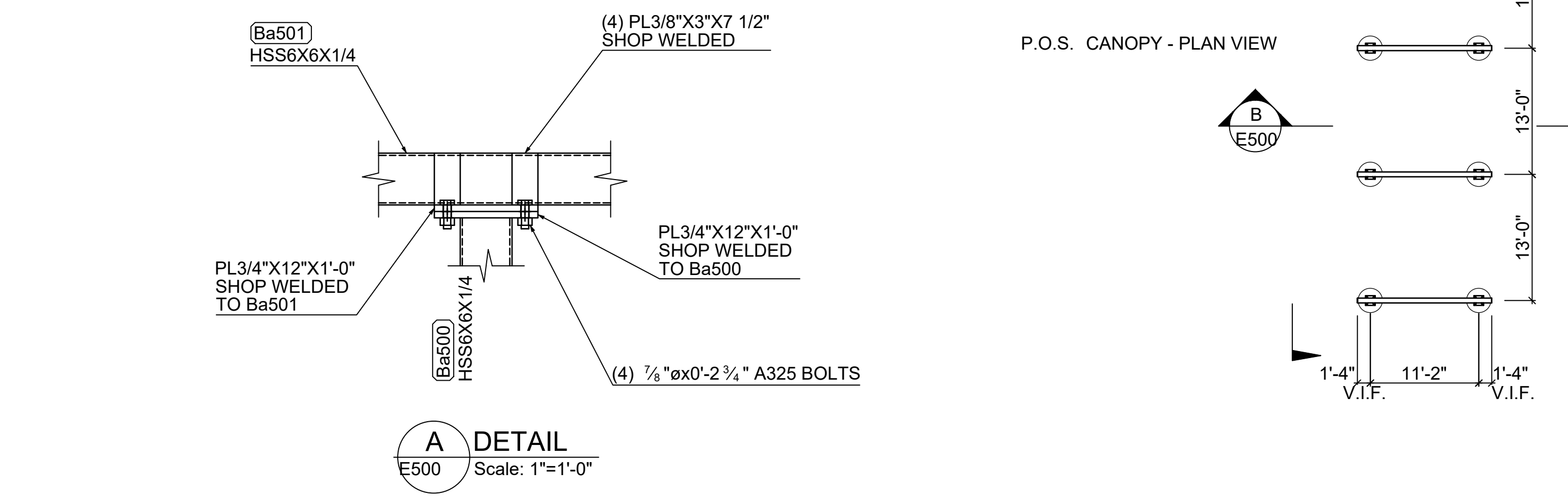
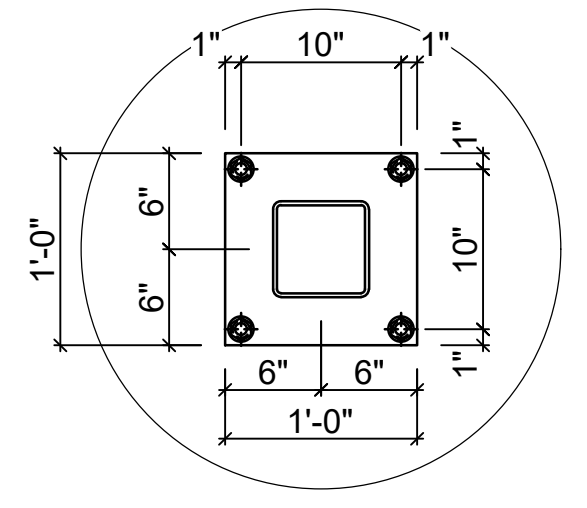
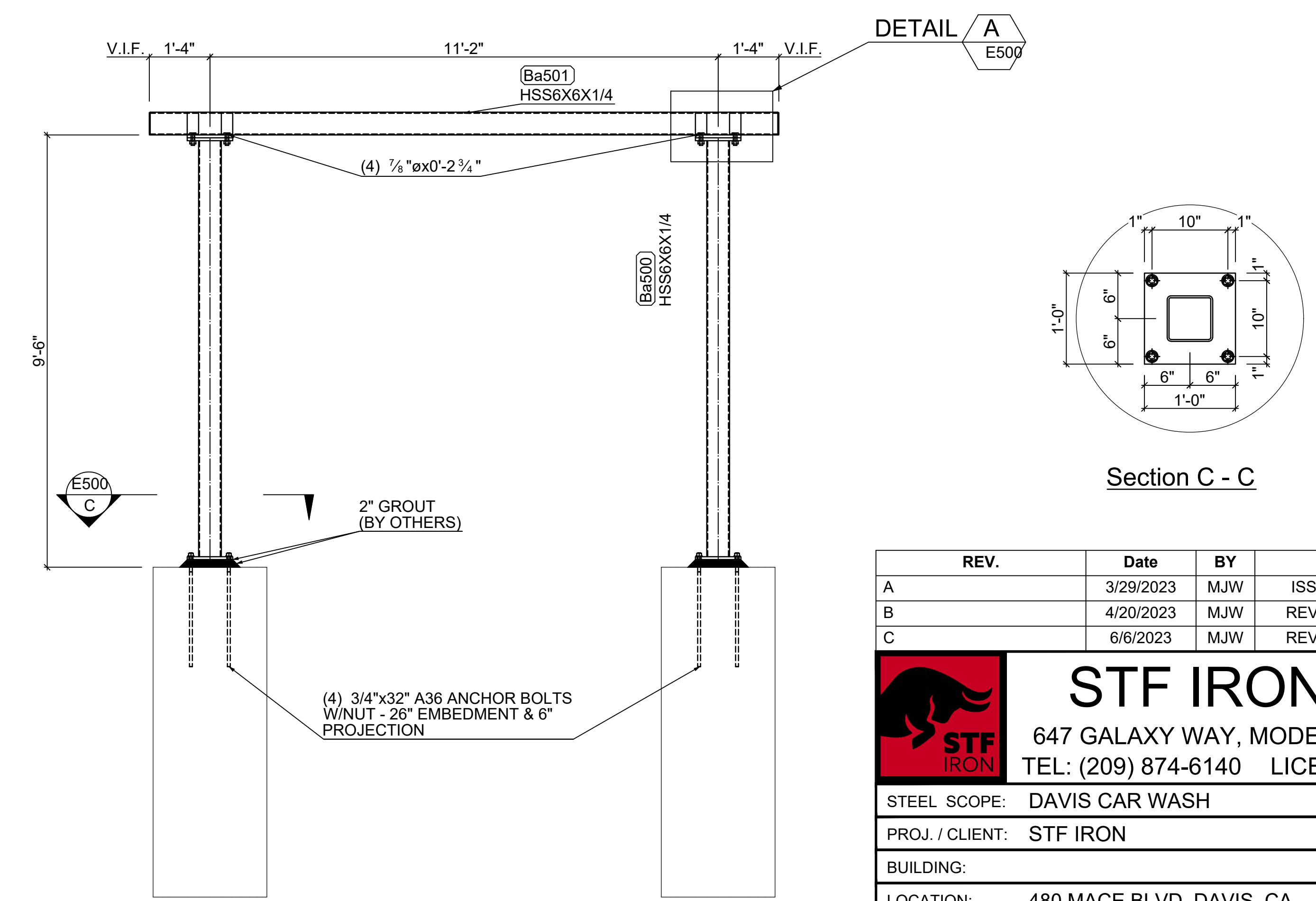
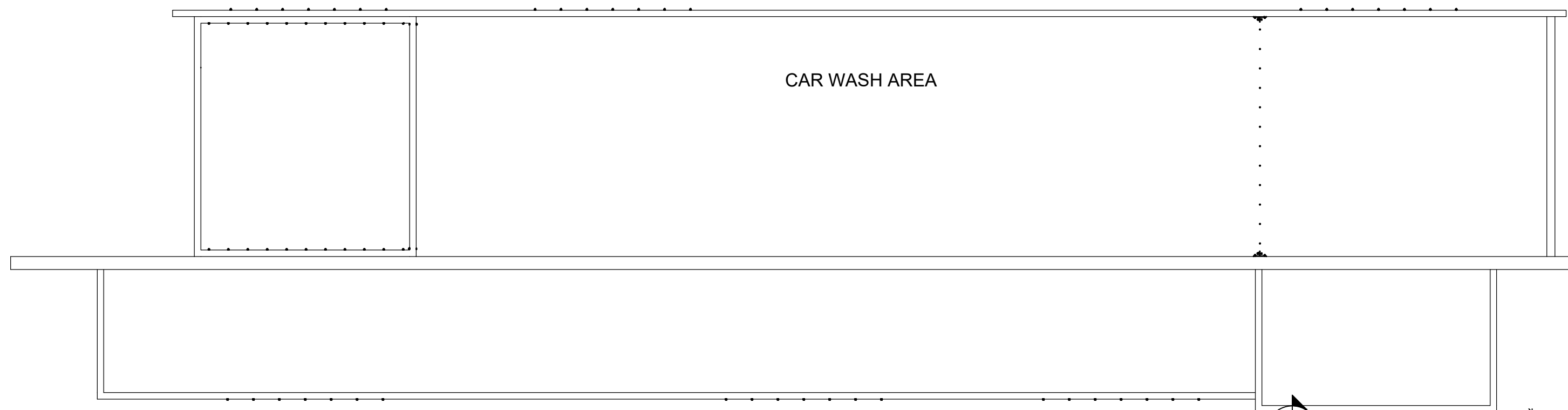
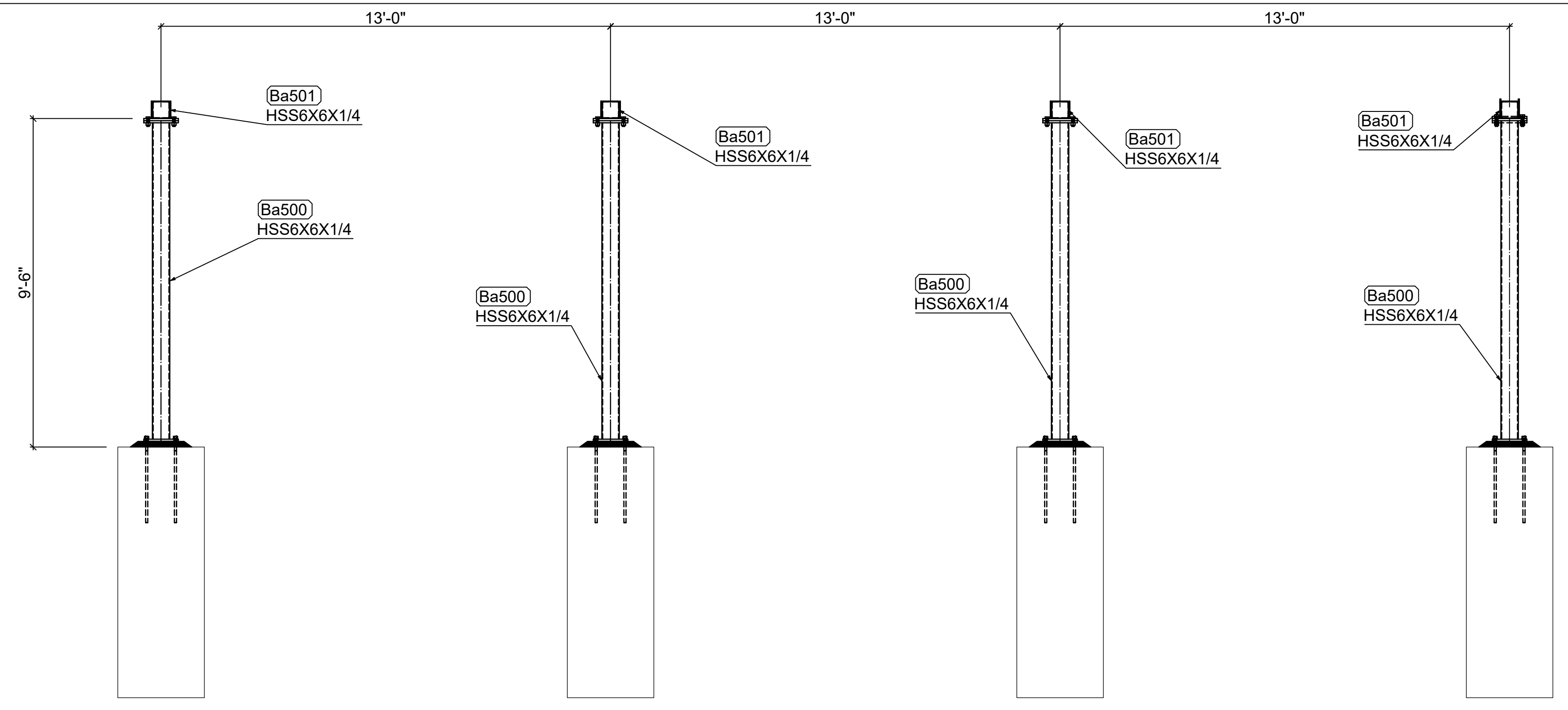
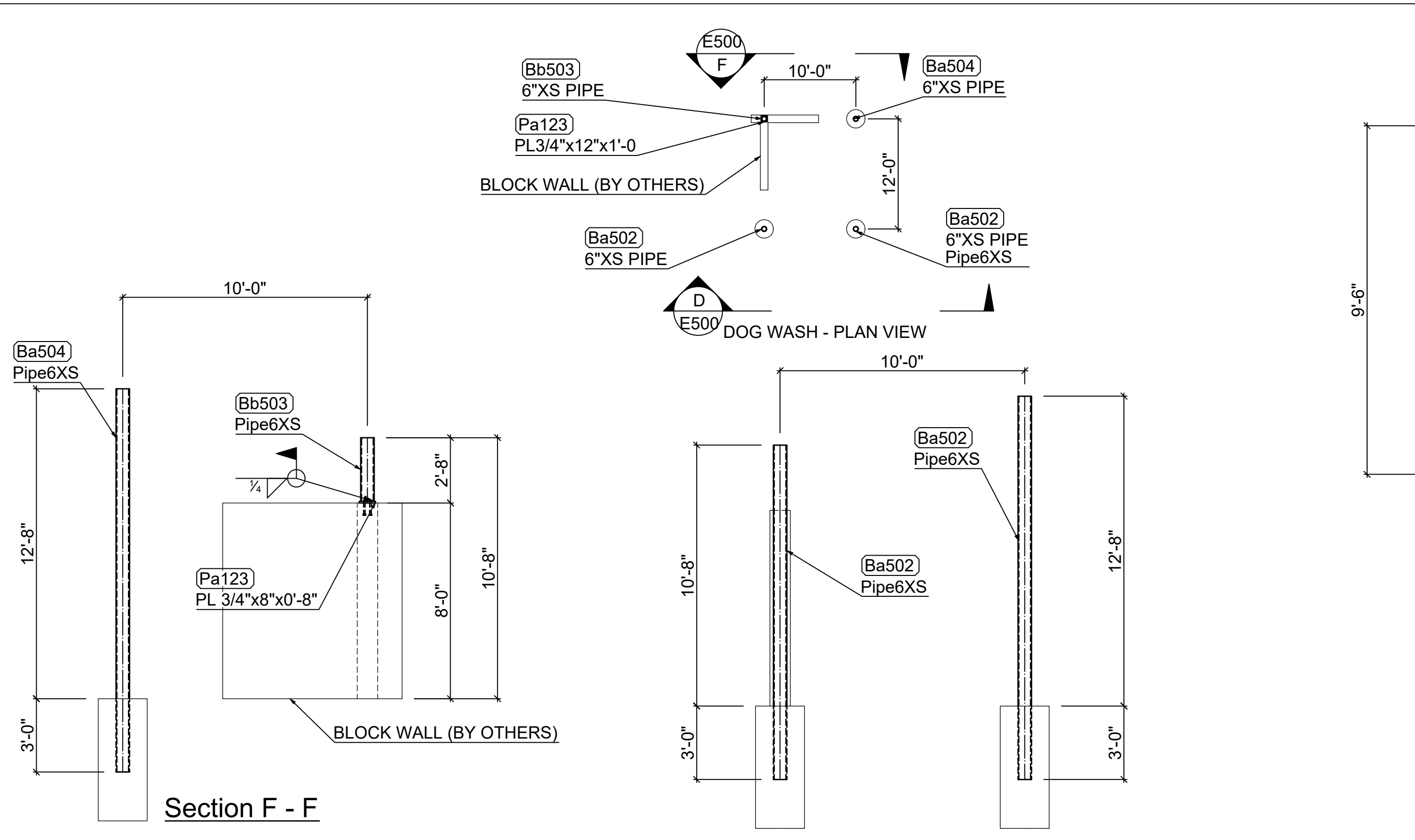
Section H - H

REV.	Date	BY	Description
A	3/29/2023	MJW	ISSUED FOR APPROVAL
B	4/20/2023	MJW	REVISED FOR APPROVAL
C	6/6/2023	MJW	REVISED FOR APPROVAL

STF IRON INC.

647 GALAXY WAY, MODESTO CA. 95356
TEL: (209) 874-6140 LICENSE #: 1088997

STEEL SCOPE: DAVIS CAR WASH	
PROJ. / CLIENT: STF IRON	
BUILDING:	
LOCATION: 480 MACE BLVD. DAVIS, CA	
DATE:	DATE
STATUS: Not Set	SHEET NO: E400
DRAWN BY: MJW	JOB NO:
CHECKED BY: KW	REV: C

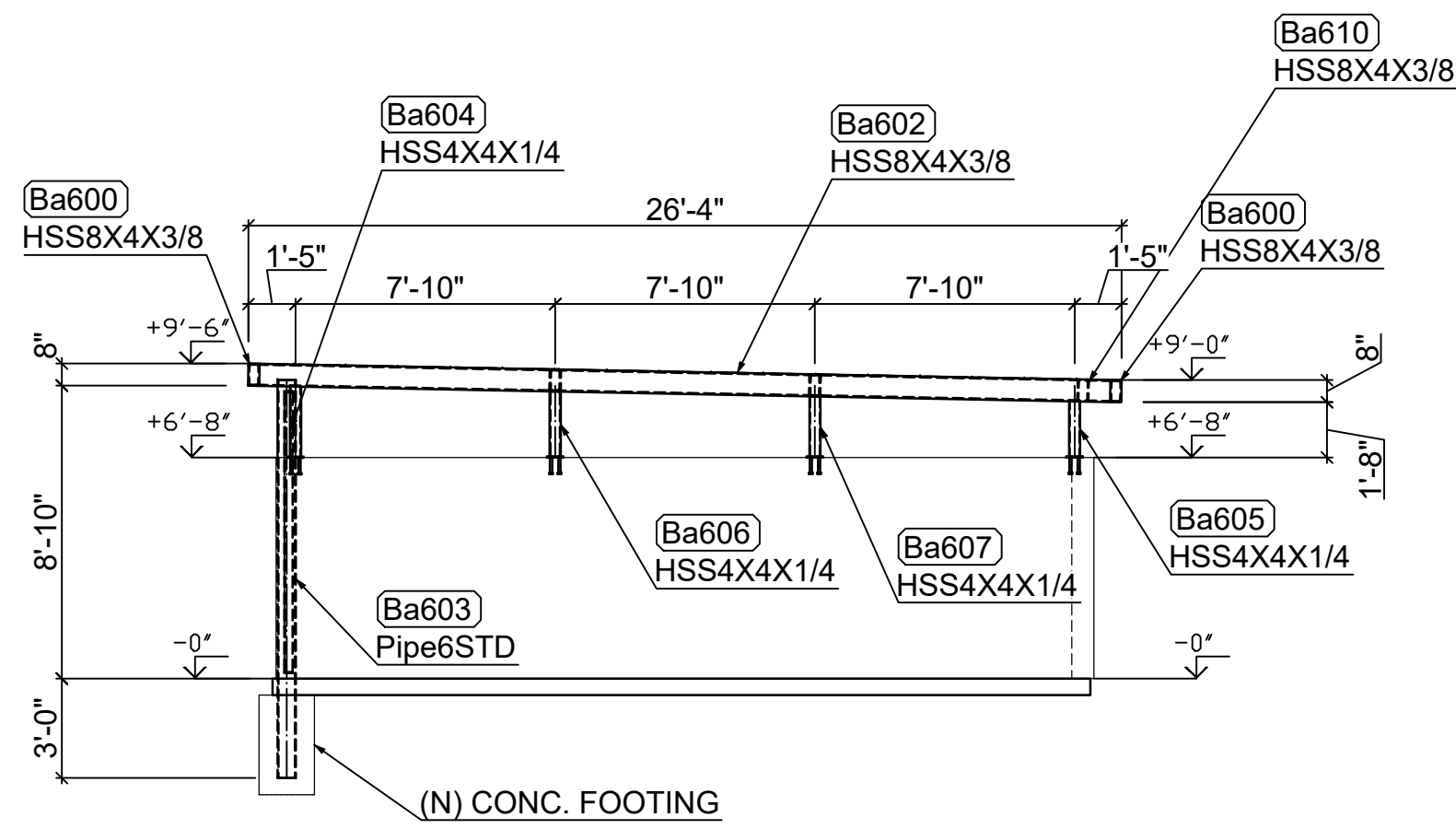


REV.	Date	BY	Description
A	3/29/2023	MJW	ISSUED FOR APPROVAL
B	4/20/2023	MJW	REVISED FOR APPROVAL
C	6/6/2023	MJW	REVISED FOR APPROVAL

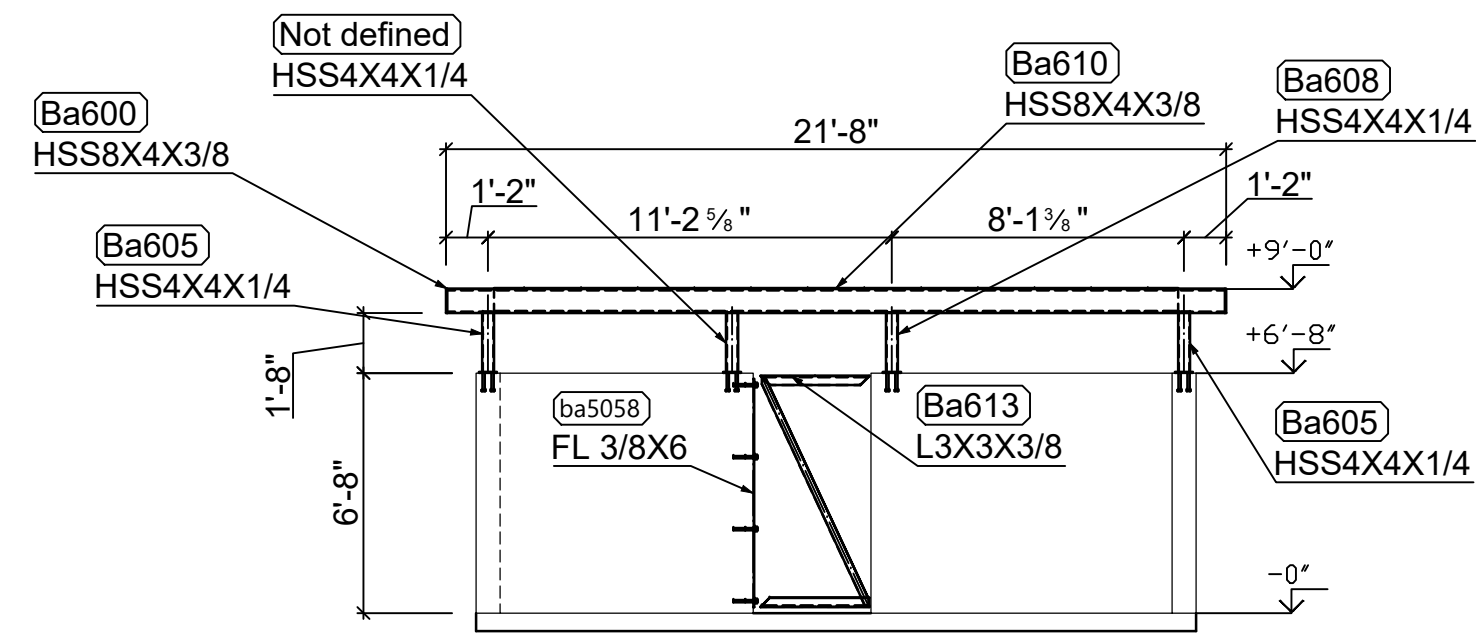
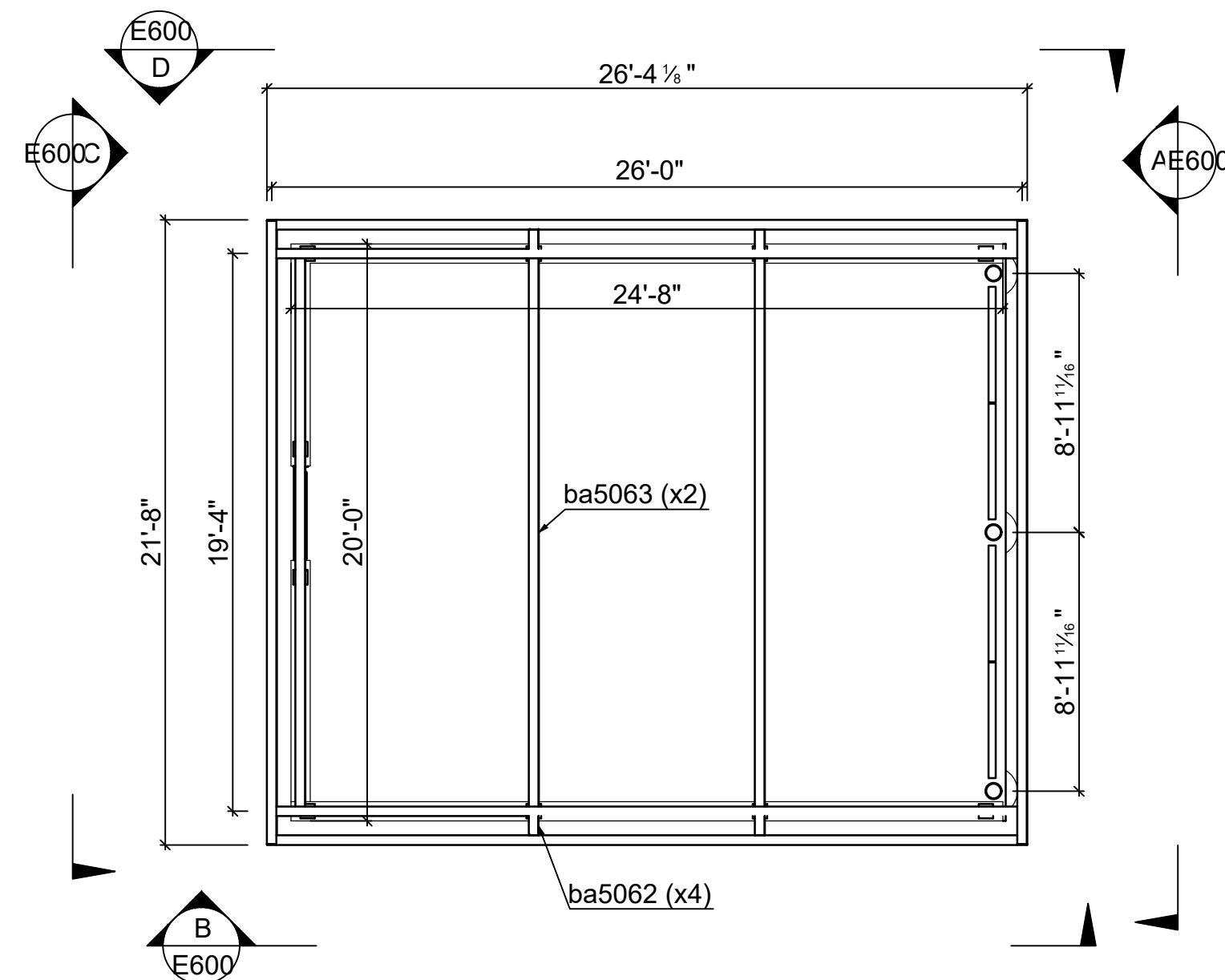
STF IRON INC.
 647 GALAXY WAY, MODESTO CA. 95356
 TEL: (209) 874-6140 LICENSE #: 1088997

STEEL SCOPE: DAVIS CAR WASH	
PROJ. / CLIENT: STF IRON	
BUILDING:	
LOCATION: 480 MACE BLVD. DAVIS, CA	
DATE:	DATE
STATUS: Not Set	
DRAWN BY: MJW	JOB NO:
CHECKED BY: KW	SHEET NO: E500
	REV: C

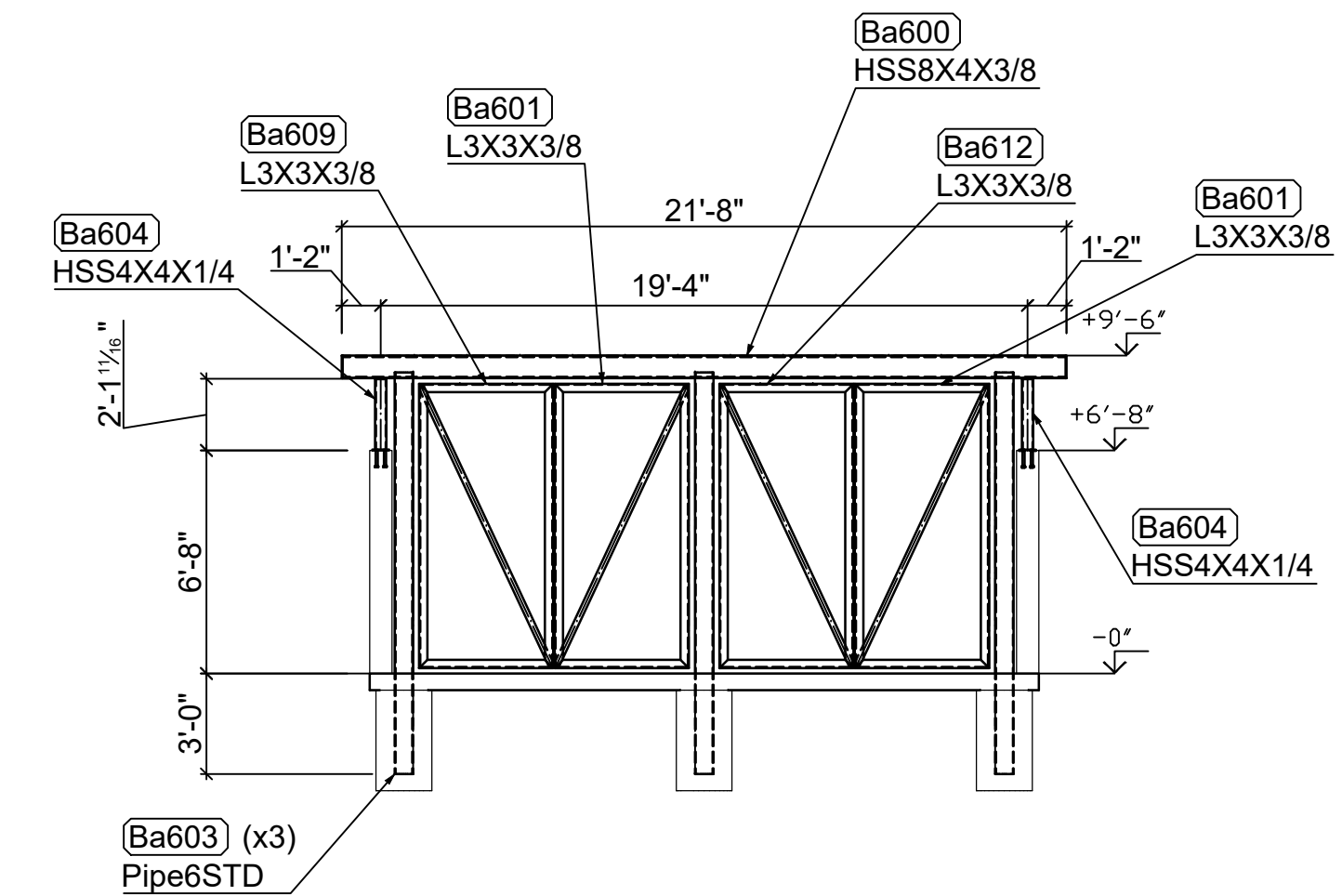
A DETAIL
E500
Scale: 1"=1'-0"



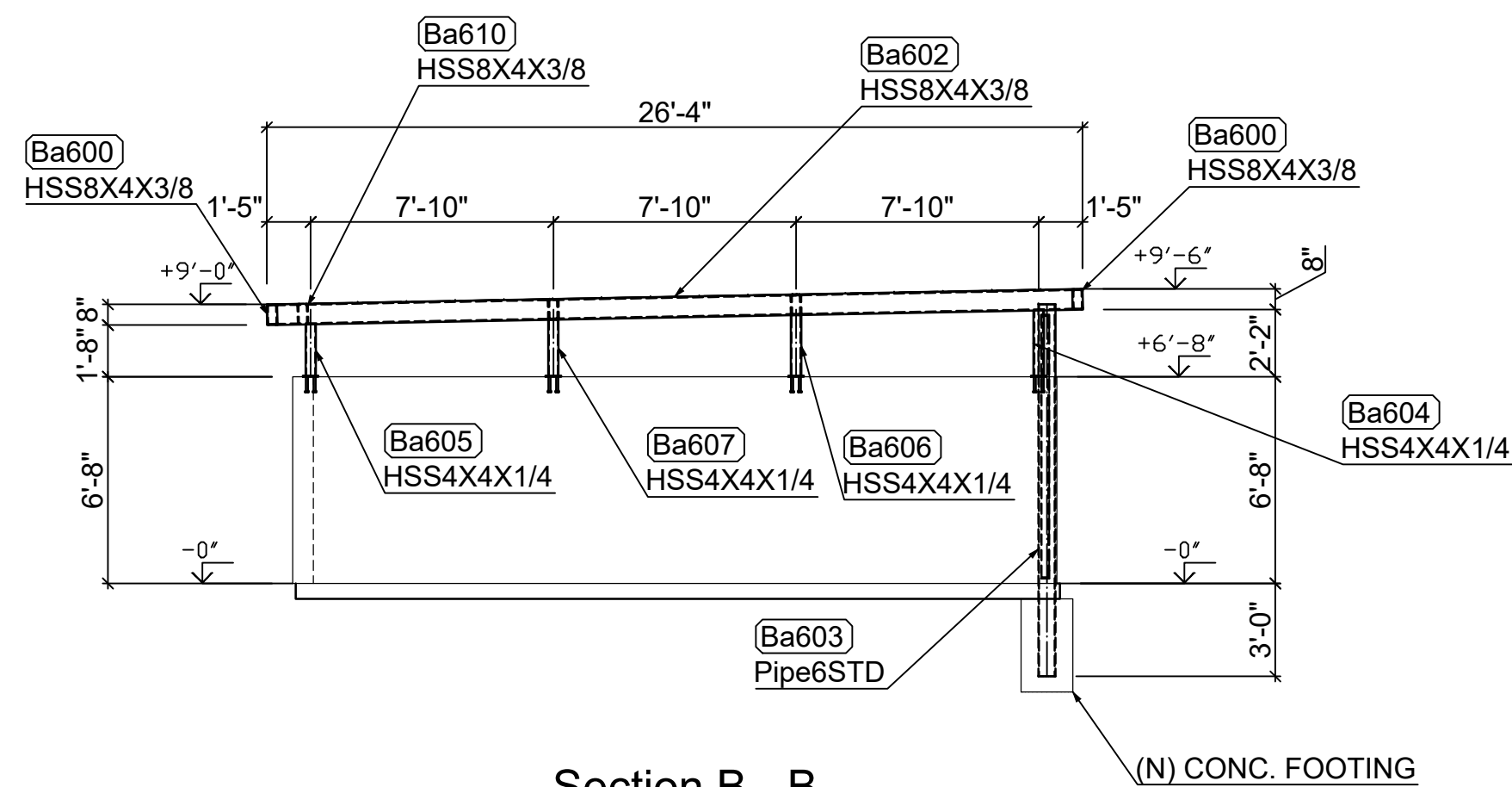
Section D - D



Section C - C



Section A - A



Section B - B

TRASH ENCLOSURE

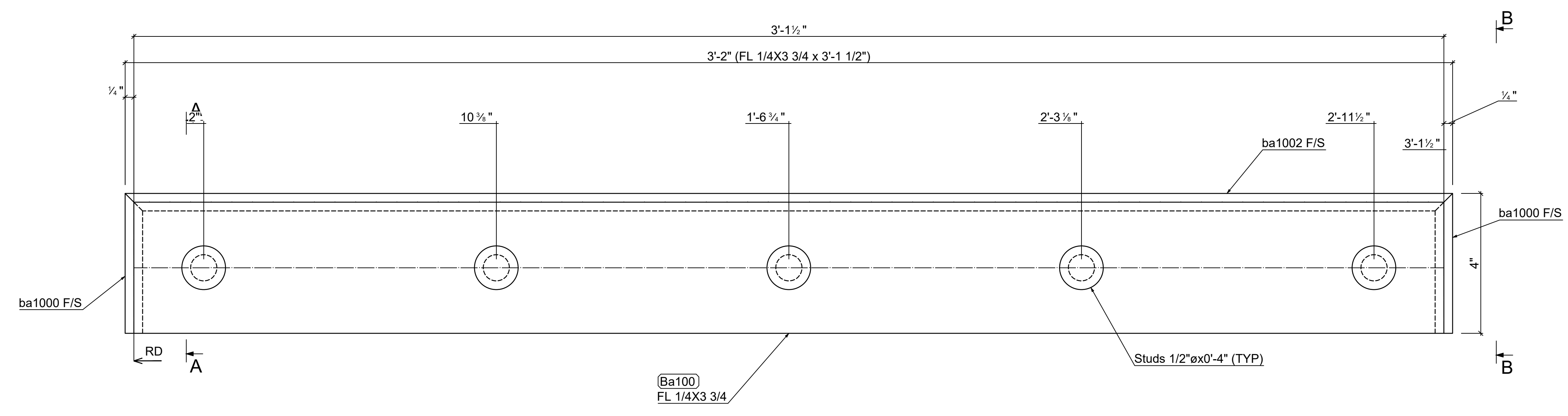
REV.	Date	BY	Description
A	3/29/2023	MJW	ISSUED FOR APPROVAL
B	4/20/2023	MJW	REVISED FOR APPROVAL
C	6/6/2023	MJW	REVISED FOR APPROVAL

STF IRON INC.

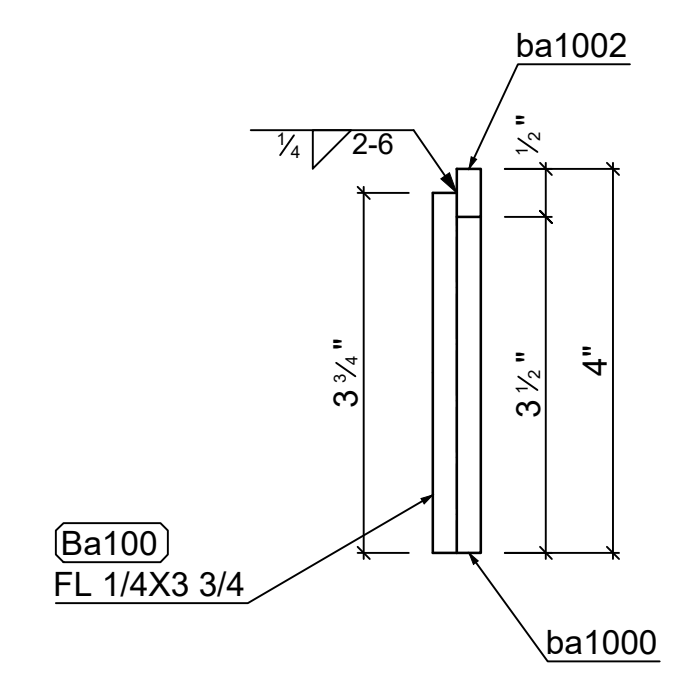
647 GALAXY WAY, MODESTO CA. 95356
 TEL: (209) 874-6140 LICENSE #: 1088997

STEEL SCOPE: DAVIS CAR WASH	
PROJ. / CLIENT: STF IRON	
BUILDING:	
LOCATION: 480 MCACE BLVD. DAVIS, CA	
DATE: DATE	STATUS: Not Set
DRAWN BY: MJW	JOB NO: SHEET NO: E600
CHECKED BY: KW	REV: C

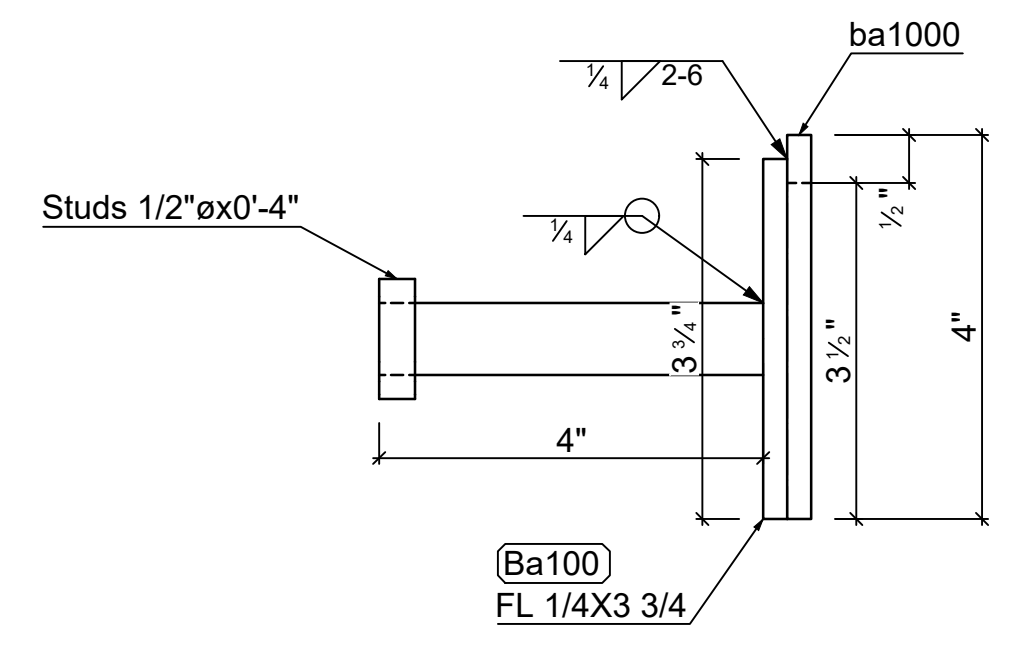
Mark	Quantity	Description	Length	Grade	Part weight	Total weight
Ba100	4					
Ba100	4	FL 1/4X3 3/4	3'-1 1/2"	A36	9.97	39.88
ba1002	4	FL 1/4X1/2	3'-2"	A36	1.35	5.39
ba1000	8	FL 1/4X1/2	0'-4"	A36	0.14	1.13
Internal1000	20	1/2" Nelson S3L-Inch	0'-4"	Mild Steel	0.58	11.69
	36				14.52	58.10
	36				TOTAL:	58.10



4 - **Ba100** FL 1/4X3 3/4
 d=3 3/4" b= 1/4" t= w= 1/4" k=
 Grid reference



Section A - A



Section B - B

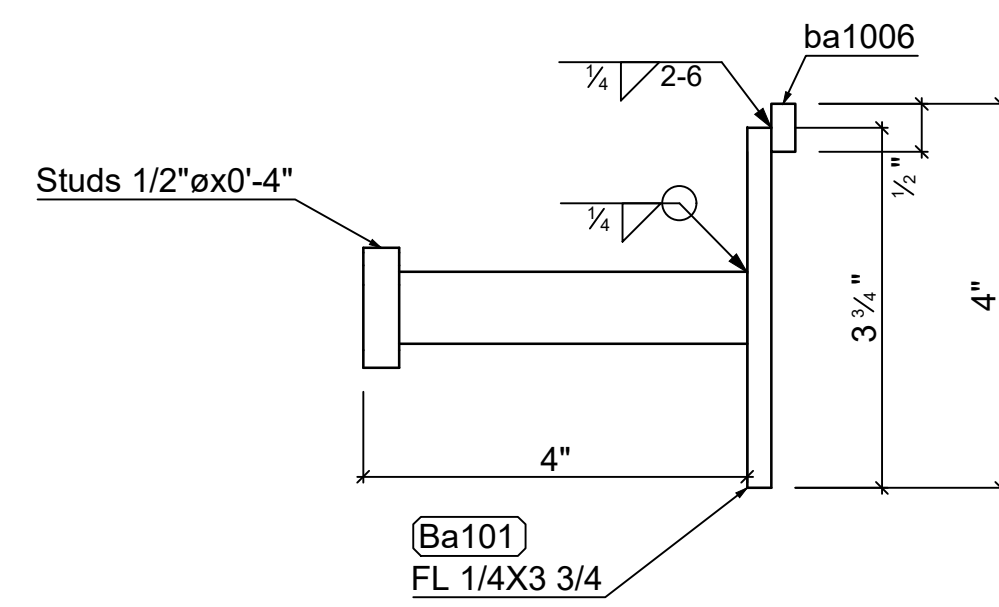
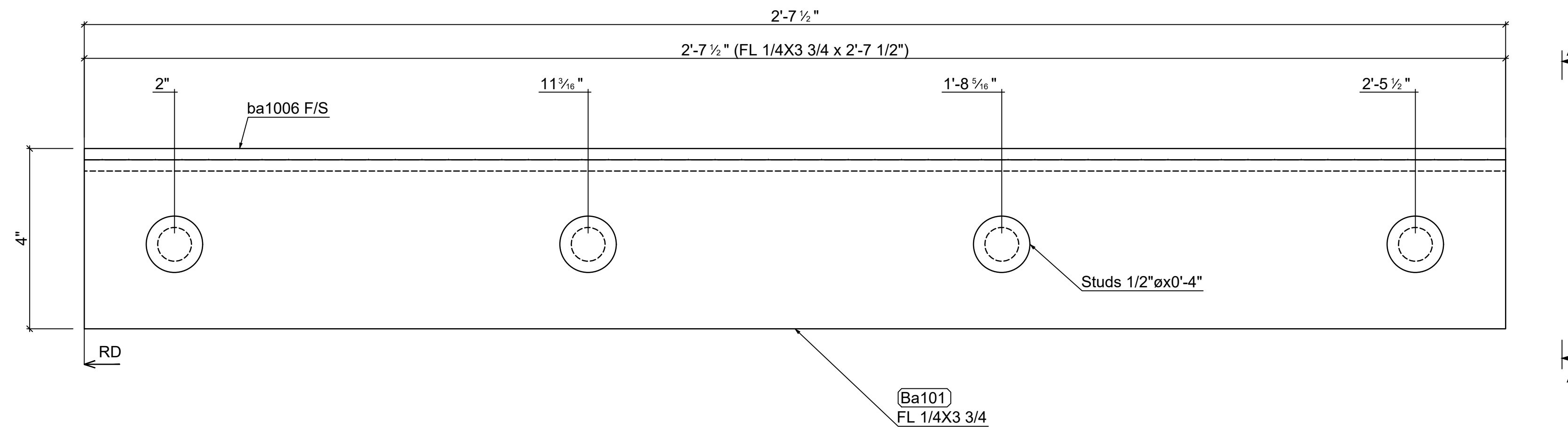
REV.	Date	BY	Description
A	3/29/2023	MJW	ISSUED FOR APPROVAL
B	4/20/2023	MJW	REVISED FOR APPROVAL
C	6/6/2023	MJW	REVISED FOR APPROVAL

STF IRON INC.

647 GALAXY WAY, MODESTO CA. 95356
 TEL: (209) 874-6140 LICENSE #: 1088997

STEEL SCOPE: DAVIS CAR WASH	
PROJ. / CLIENT: STF IRON	
BUILDING:	
LOCATION: 480 MCACE BLVD. DAVIS, CA	
DATE:	DATE
STATUS: For Approval	
DRAWN BY: MJW	JOB NO:
CHECKED BY: KW	
SHEET NO: 100	REV: C

Mark	Quantity	Description	Length	Grade	Part weight	Total weight
Ba101	2					
Ba101	2	FL 1/4X3 3/4	2'-7 1/2"	A36	8.38	16.75
ba1006	2	FL 1/4X1/2	2'-7 1/2"	A36	1.12	2.23
#Internal1000	8	1/2" Nelson S3L-Inch	0'-4"	Mild Steel	0.58	4.68
	12				11.83	23.66
	12				TOTAL:	23.66



Section A - A

2 - **Ba101** FL 1/4X3 3/4
 d=3 3/4" b= 1/4" t= w= 1/4" k=

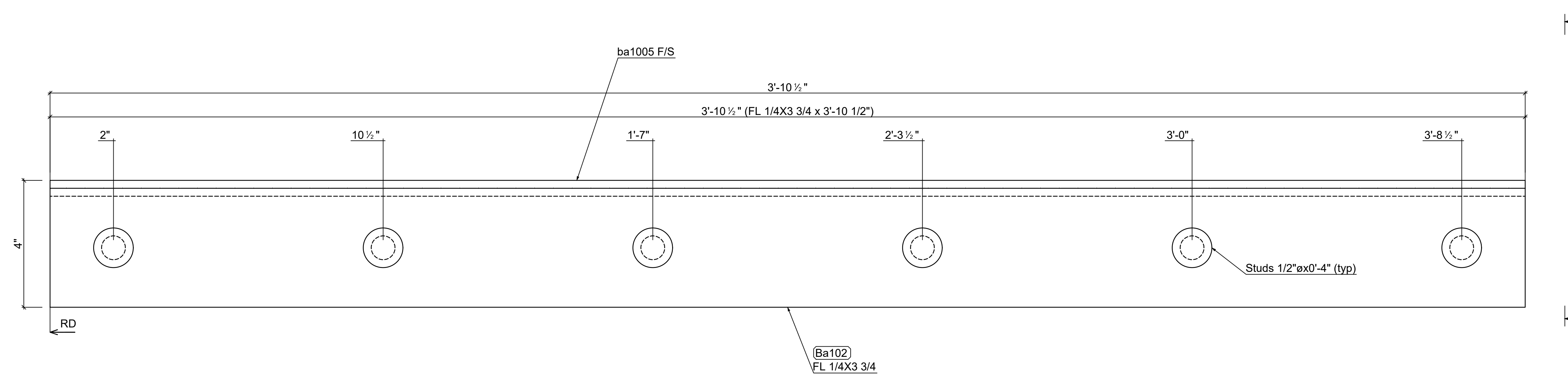
Grid reference

REV.	Date	BY	Description
A	3/29/2023	MJW	ISSUED FOR APPROVAL
B	4/20/2023	MJW	REVISED FOR APPROVAL
C	6/6/2023	MJW	REVISED FOR APPROVAL

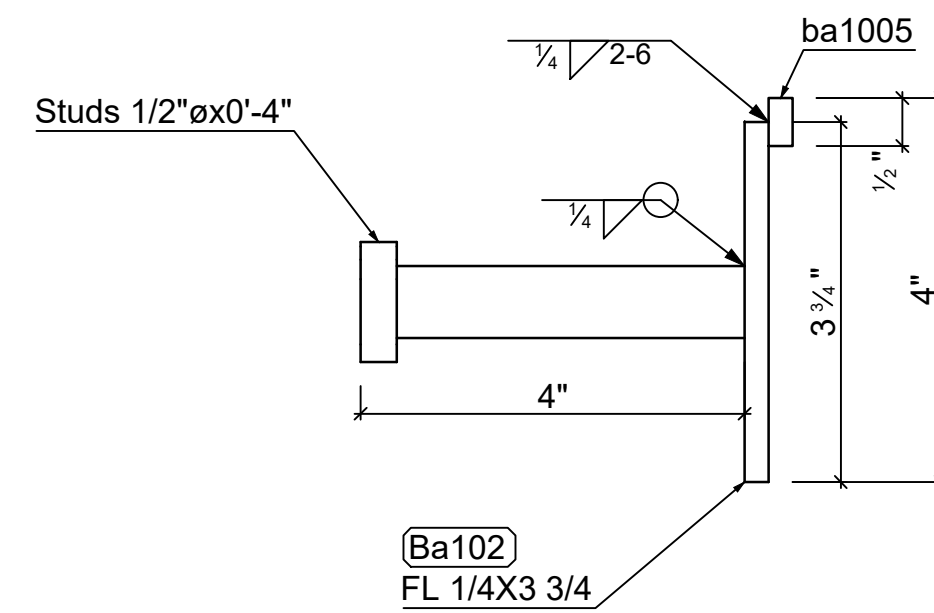
STF IRON INC.
 647 GALAXY WAY, MODESTO CA. 95356
 TEL: (209) 874-6140 LICENSE #: 1088997

STEEL SCOPE: DAVIS CAR WASH	
PROJ. / CLIENT: STF IRON	
BUILDING:	
LOCATION: 480 MCACE BLVD. DAVIS, CA	
DATE:	DATE: STATUS: Not Set
DRAWN BY: MJW	JOB NO: SHEET NO: 101 REV: C
CHECKED BY: KW	

Mark	Quantity	Description	Length	Grade	Part weight	Total weight
Ba102	2					
Ba102	2	FL 1/4X3 3/4	3'-10 1/2"	A36	12.36	24.73
Ba1005	2	FL 1/4X1/2	3'-10 1/2"	A36	1.65	3.30
#Internal1000	12	1/2" Nelson S3L-Inch	0'-4"	Mild Steel	0.58	7.02
	16				17.52	35.04
					TOTAL:	35.04




2 - **Ba102** FL 1/4X3 3/4
 d=3 3/4" b=1/4" t= w=1/4" k=
 Grid reference

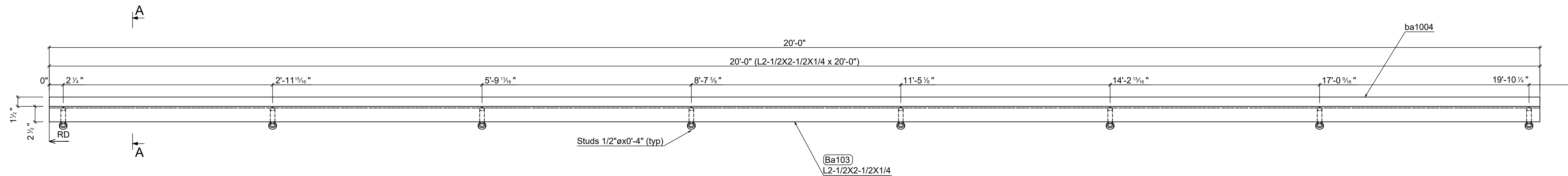


Section A - A

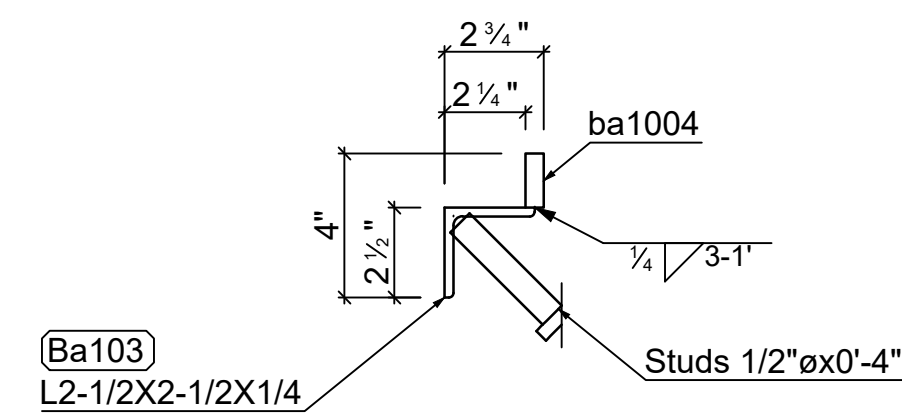
REV.	Date	BY	Description
A	3/29/2023	MJW	ISSUED FOR APPROVAL
B	4/20/2023	MJW	REVISED FOR APPROVAL
C	6/6/2023	MJW	REVISED FOR APPROVAL

	STF IRON INC. 647 GALAXY WAY, MODESTO CA. 95356 TEL: (209) 874-6140 LICENSE #: 1088997	
	STEEL SCOPE: DAVIS CAR WASH PROJ. / CLIENT: STF IRON BUILDING:	
LOCATION: 480 MCACE BLVD. DAVIS, CA		STATUS: Not Set
DATE:	DATE:	SHEET NO:
DRAWN BY: MJW	JOB NO:	102
CHECKED BY: KW		C

Mark	Quantity	Description	Length	Grade	Part weight	Total weight
Ba103	2					
Ba103	2	L2-1/2X2-1/2X1/4	20'-0"	A36	82.00	164.00
ba1004	2	FL 1/2X1 1/2	20'-0"	A36	51.05	102.10
#Internal1000	16	1/2" Nelson S3L-Inch	0'-4"	Mild Steel	0.58	9.35
	20				137.73	275.45
	20				TOTAL:	275.45




2 - **Ba103** L2-1/2X2-1/2X1/4
Grid reference

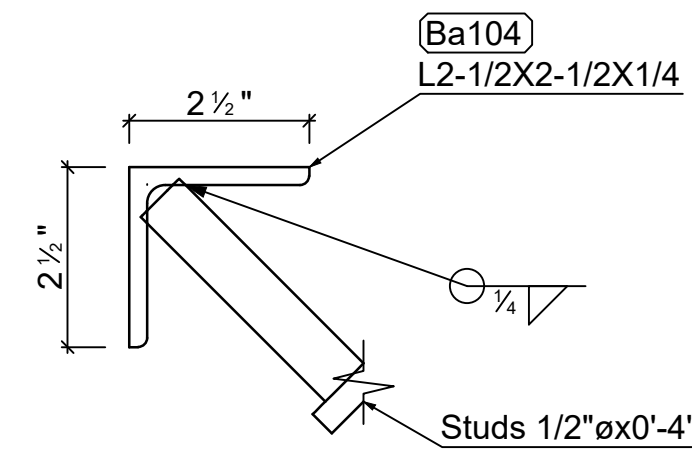
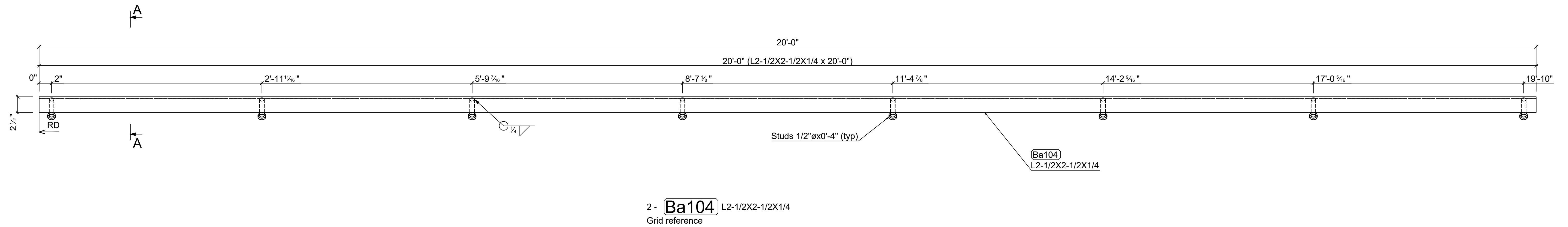


Section A - A

REV.	Date	BY	Description
A	3/29/2023	MJW	ISSUED FOR APPROVAL
B	4/20/2023	MJW	REVISED FOR APPROVAL
C	6/6/2023	MJW	REVISED FOR APPROVAL


	STF IRON INC. 647 GALAXY WAY, MODESTO CA. 95356 TEL: (209) 874-6140 LICENSE #: 1088997		
	STEEL SCOPE: DAVIS CAR WASH PROJ. / CLIENT: STF IRON BUILDING:		
LOCATION: 480 MCACE BLVD. DAVIS, CA		DATE: DATE STATUS: Not Set	
DRAWN BY: MJW	JOB NO:	SHEET NO: 103	REV: C
CHECKED BY: KW			

Mark	Quantity	Description	Length	Grade	Part weight	Total weight
Ba104	2					
Ba104	2	L2-1/2X2-1/2X1/4	20'-0"	A36	82.00	164.00
#Internal1000	16	1/2" Nelson S3L-Inch	0'-4"	Mild Steel	0.58	9.35
	18				86.68	173.35
					TOTAL:	173.35



Section A - A

REV.	Date	BY	Description
A	3/29/2023	MJW	ISSUED FOR APPROVAL
B	4/20/2023	MJW	REVISED FOR APPROVAL
C	6/6/2023	MJW	REVISED FOR APPROVAL



STF IRON INC.
647 GALAXY WAY, MODESTO CA. 95356
TEL: (209) 874-6140 LICENSE #: 1088997

STEEL SCOPE: DAVIS CAR WASH

PROJ. / CLIENT: STF IRON

BUILDING:

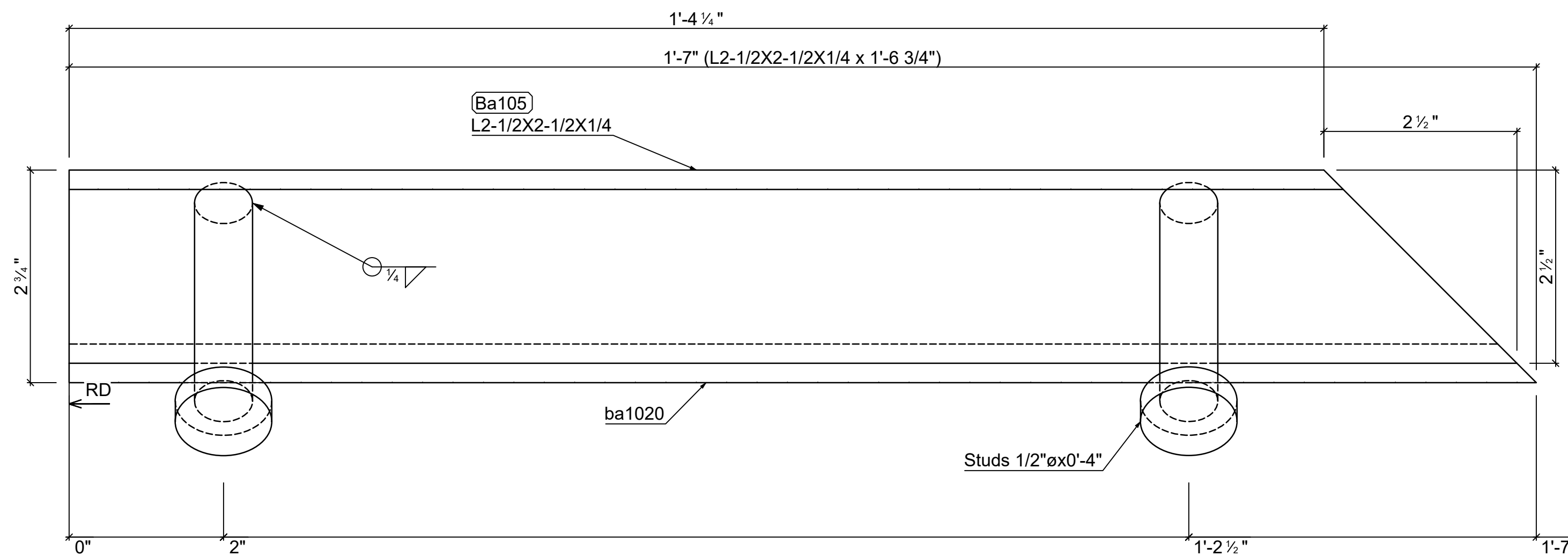
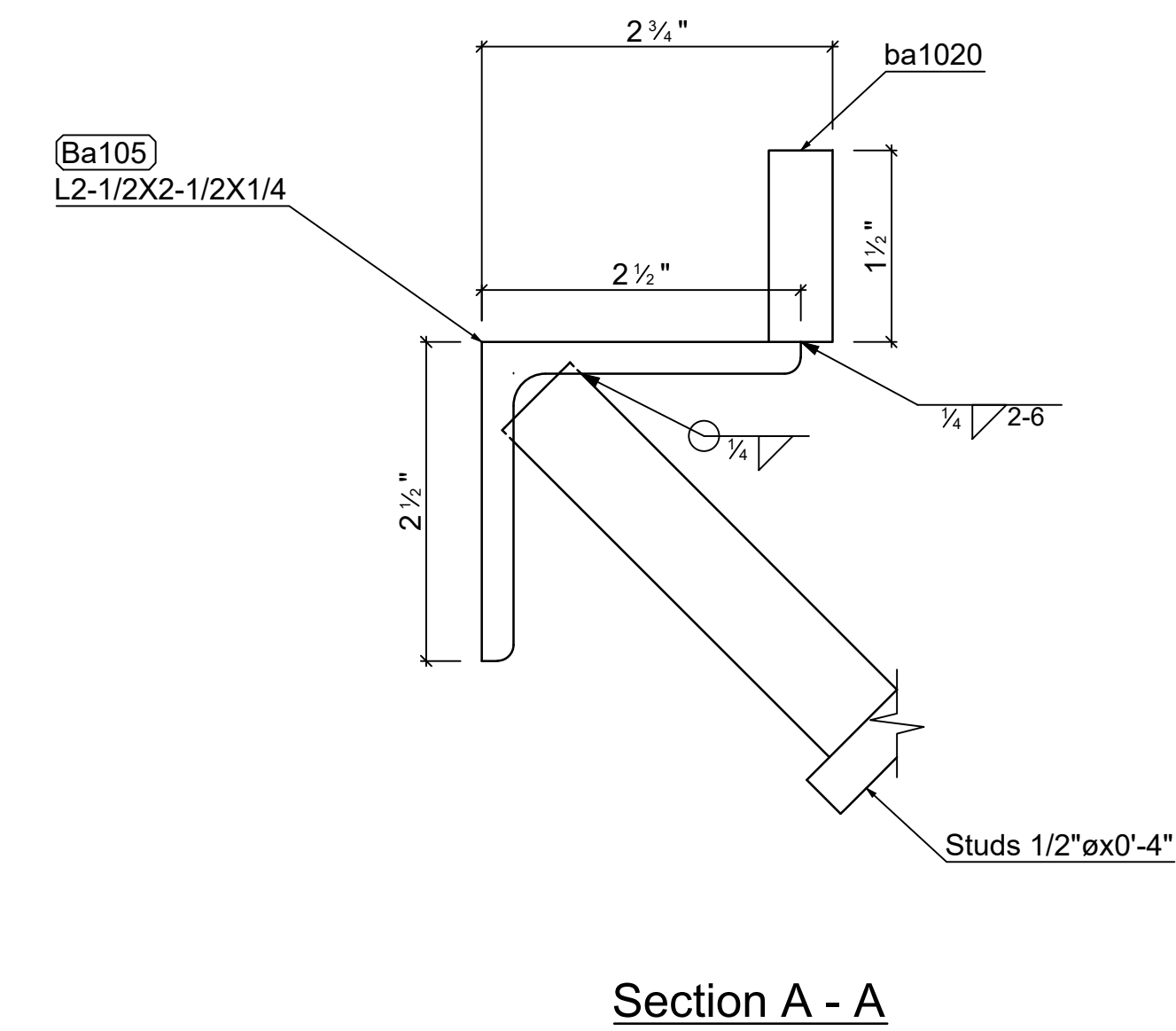
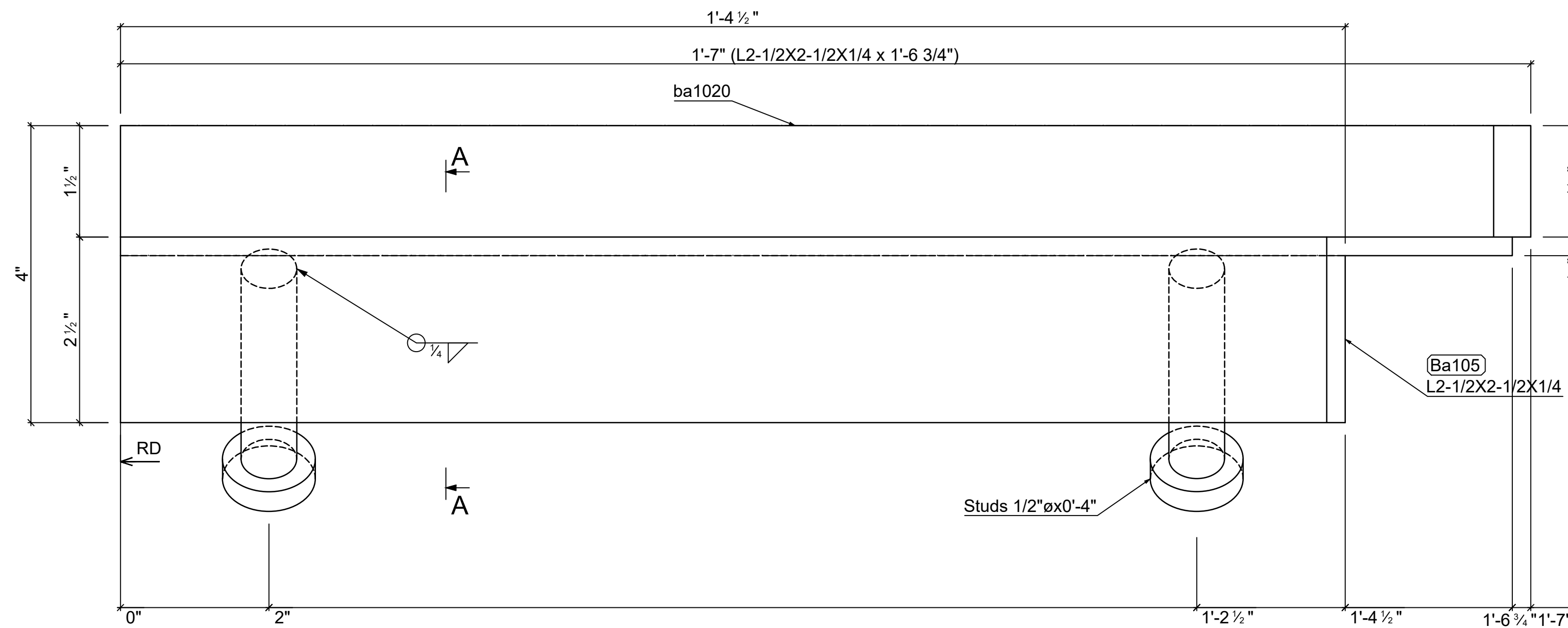
LOCATION: 480 MCACE BLVD. DAVIS, CA

DATE: DATE STATUS: Not Set

DRAWN BY: MJW JOB NO: SHEET NO: 104 REV: C


CHECKED BY: KW

Mark	Quantity	Description	Length	Grade	Part weight	Total weight
Ba105	1					
Ba105	1	L2-1/2X2-1/2X1/4	1'-6 3/4"	A36	6.41	6.41
ba1020	1	FL 1/2X1 1/2	1'-7"	A36	4.04	4.04
Internal1000	2	1/2" Nelson S3L-Inch	0'-4"	Mild Steel	0.58	1.17
	4				11.62	11.62
	4				TOTAL:	11.62

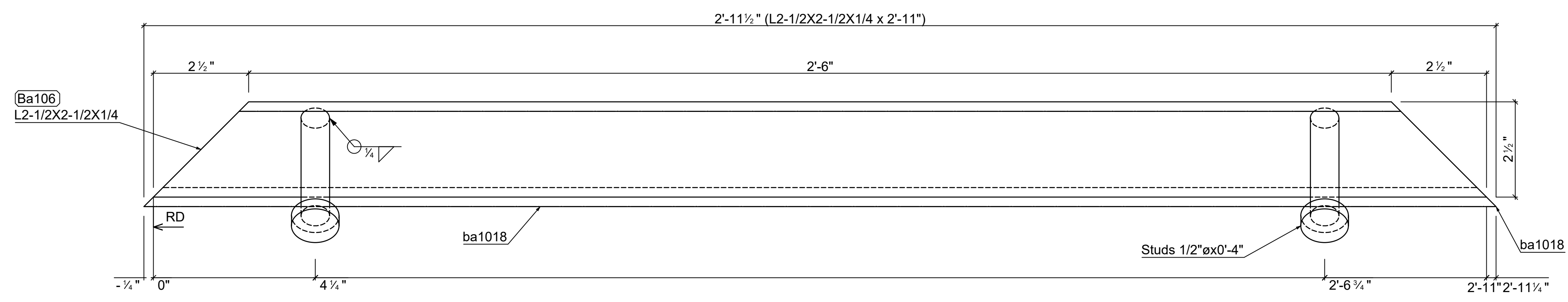
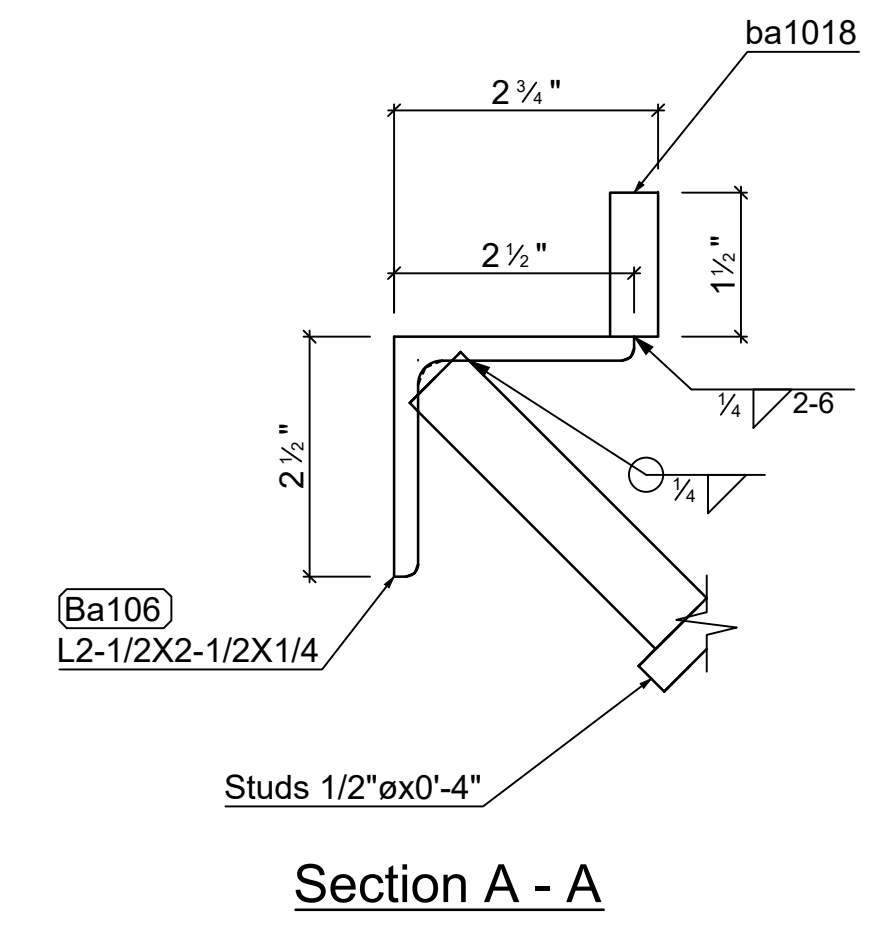
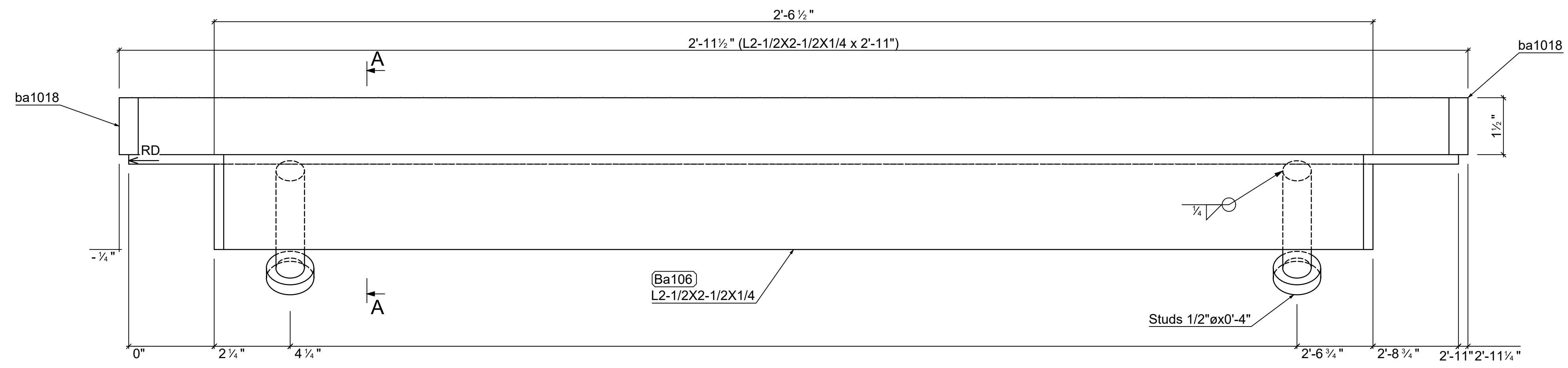


1 - **Ba105** L2-1/2X2-1/2X1/4
Grid reference

REV.	Date	BY	Description
A	3/29/2023	MJW	ISSUED FOR APPROVAL
B	4/20/2023	MJW	REVISED FOR APPROVAL
C	6/6/2023	MJW	REVISED FOR APPROVAL

	<h1>STF IRON INC.</h1>		
	647 GALAXY WAY, MODESTO CA. 95356 TEL: (209) 874-6140 LICENSE #: 1088997		
STEEL SCOPE:		DAVIS CAR WASH	
PROJ. / CLIENT:		STF IRON	
BUILDING:			
LOCATION:		480 MCACE BLVD. DAVIS, CA	
DATE:	DATE	STATUS: Not Set	
DRAWN BY:	MJW	JOB NO:	SHEET NO: 105
CHECKED BY:	KW		REV: C

Mark	Quantity	Description	Length	Grade	Part weight	Total weight
Ba106	1					
Ba106	1	L2-1/2X2-1/2X1/4	2'-11"	A36	11.96	11.96
ba1018	1	FL 1/2X1 1/2	2'-11 1/2"	A36	7.55	7.55
#Internal1000	2	1/2" Nelson S3L-Inch	0'-4"	Mild Steel	0.58	1.17
	4				20.68	20.68
TOTAL:					20.68	



1 - **Ba106** L2-1/2X2-1/2X1/4
Grid reference

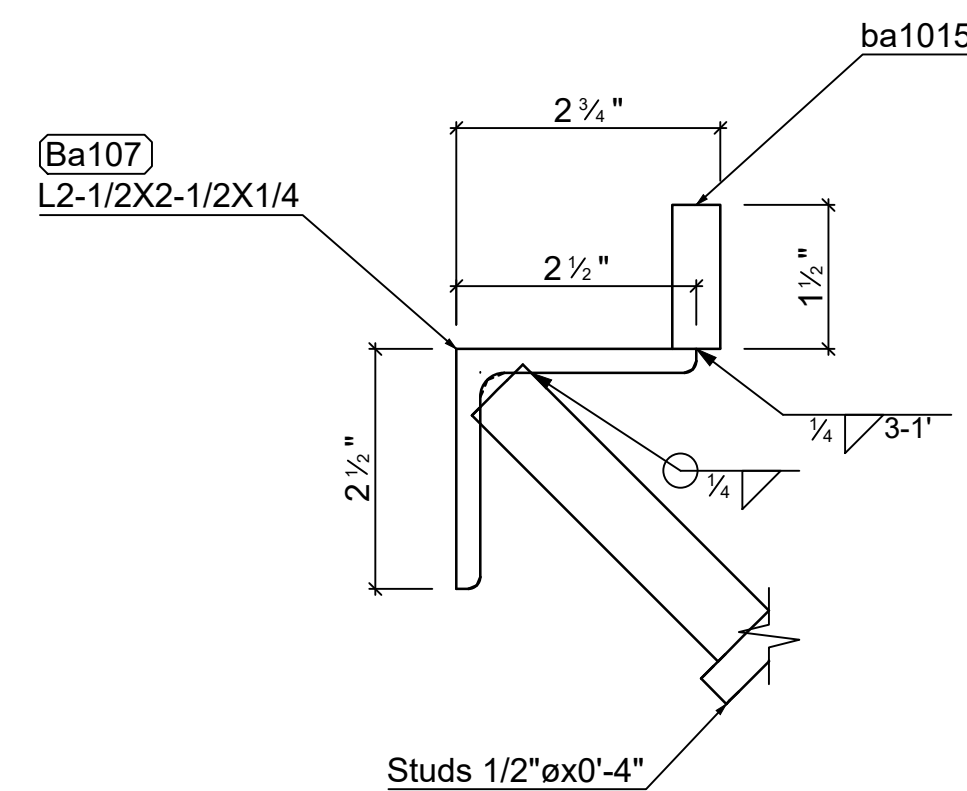
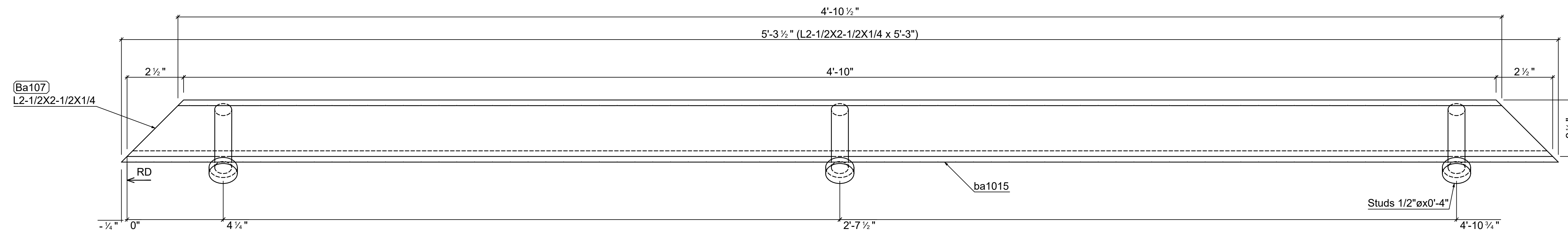
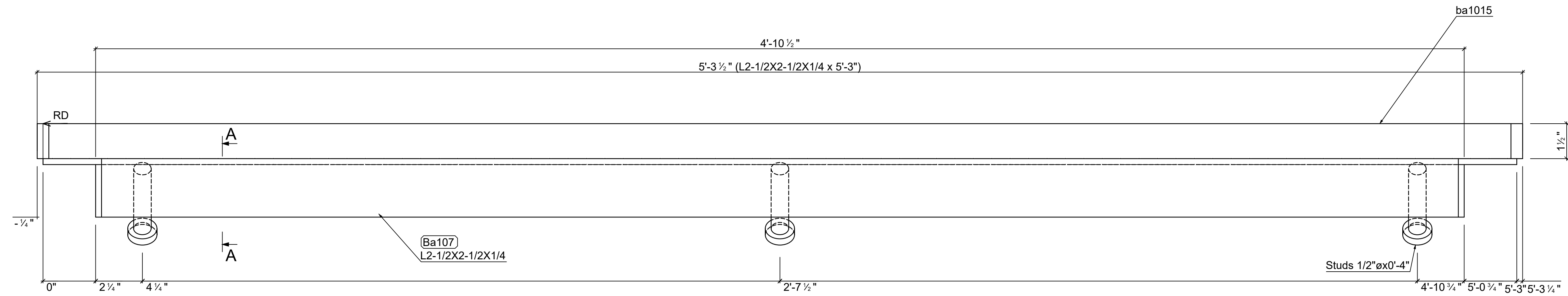
REV.	Date	BY	Description
A	3/29/2023	MJW	ISSUED FOR APPROVAL
B	4/20/2023	MJW	REVISED FOR APPROVAL
C	6/6/2023	MJW	REVISED FOR APPROVAL

STF IRON INC.

647 GALAXY WAY, MODESTO CA. 95356
TEL: (209) 874-6140 LICENSE #: 1088997

STEEL SCOPE: DAVIS CAR WASH	
PROJ. / CLIENT: STF IRON	
BUILDING:	
LOCATION: 480 MCACE BLVD. DAVIS, CA	
DATE: DATE	STATUS: Not Set
DRAWN BY: MJW	JOB NO: SHEET NO: 106
CHECKED BY: KW	REV: C


Mark	Quantity	Description	Length	Grade	Part weight	Total weight
Ba107	1					
Ba107	1	L2-1/2X2-1/2X1/4	5'-3"	A36	21.52	21.52
Ba1015	1	FL 1/2X1 1/2	5'-3 1/2"	A36	13.51	13.51
#Internal1000	3	1/2"ø Nelson S3L-Inch	0'-4"	Mild Steel	0.58	1.75
	5				36.79	36.79
TOTAL:					36.79	36.79



Section A - A

1 - **Ba107** L2-1/2X2-1/2X1/4
Grid reference

REV.	Date	BY	Description
A	3/29/2023	MJW	ISSUED FOR APPROVAL
B	4/20/2023	MJW	REVISED FOR APPROVAL
C	6/6/2023	MJW	REVISED FOR APPROVAL



STF IRON INC.

647 GALAXY WAY, MODESTO CA. 95356
TEL: (209) 874-6140 LICENSE #: 1088997

STEEL SCOPE: DAVIS CAR WASH

PROJ. / CLIENT: STF IRON

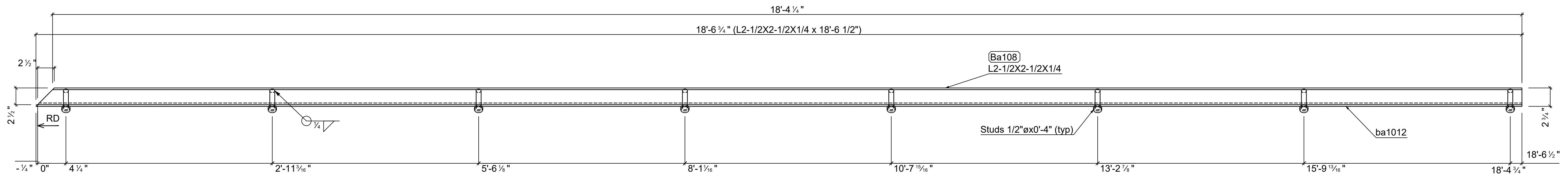
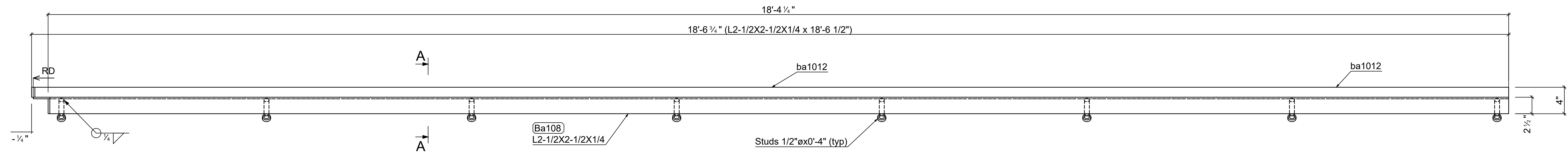
BUILDING:

LOCATION: 480 MCACE BLVD. DAVIS, CA

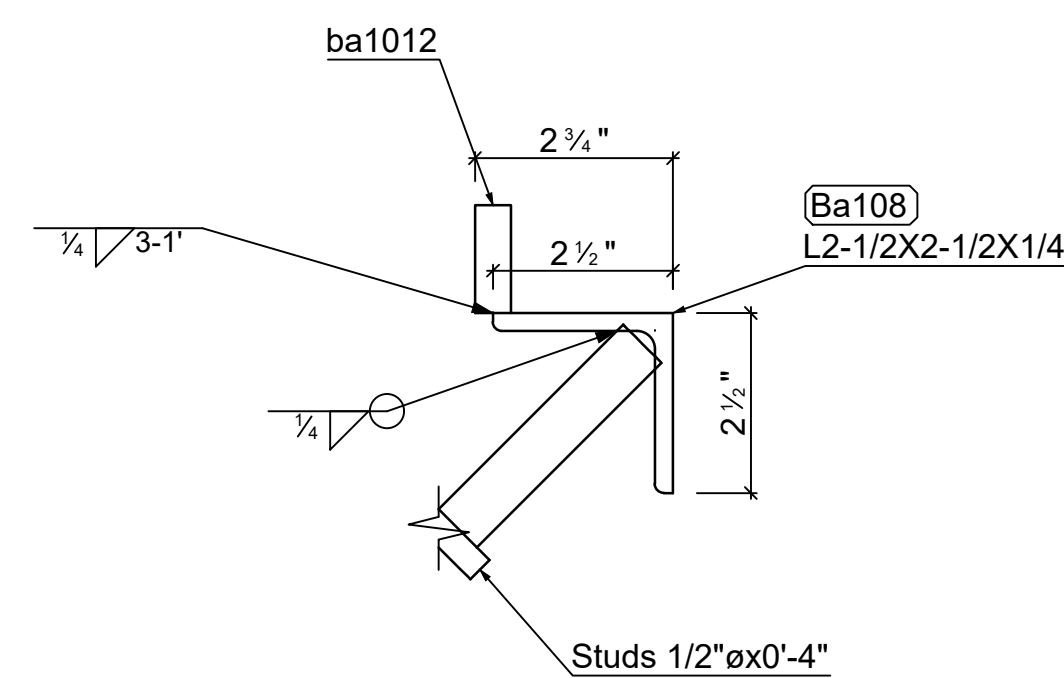
DATE: DATE STATUS: Not Set

DRAWN BY: MJW	JOB NO:	SHEET NO:	REV:
CHECKED BY: KW		107	C

Mark	Quantity	Description	Length	Grade	Part weight	Total weight
Ba108	1					
Ba108	1	L2-1/2X2-1/2X1/4	18'-6 1/2"	A36	76.02	76.02
ba1012	1	FL 1/2X1 1/2	18'-6 3/4"	A36	47.38	47.38
#Internal1000	8	1/2" Nelson S3L-Inch	0'-4"	Mild Steel	128.08	4.68
	10					128.08
					TOTAL:	128.08




1 - **Ba108** L2-1/2X2-1/2X1/4
Grid reference

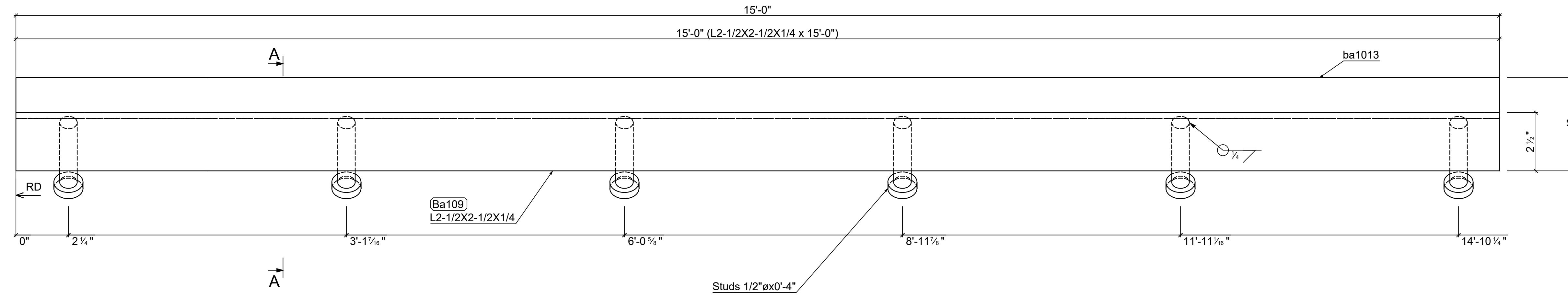


Section A - A

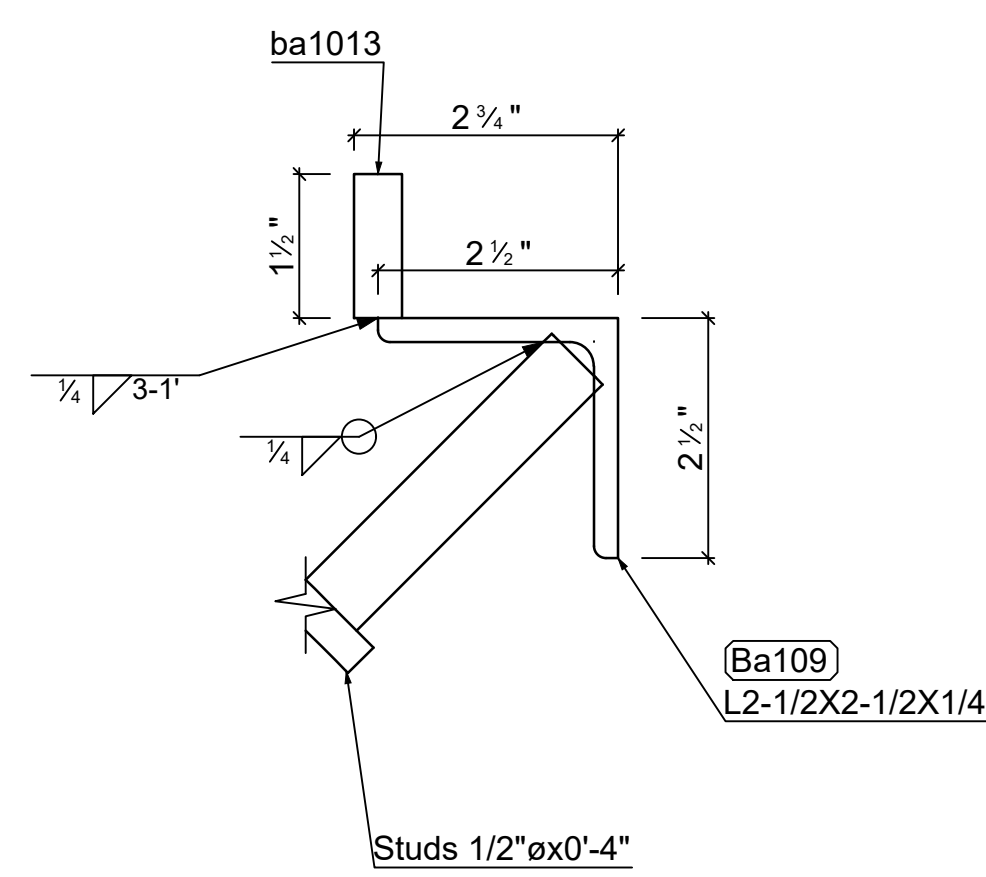
REV.	Date	BY	Description
A	3/29/2023	MJW	ISSUED FOR APPROVAL
B	4/20/2023	MJW	REVISED FOR APPROVAL
C	6/6/2023	MJW	REVISED FOR APPROVAL

	<h1>STF IRON INC.</h1>		
	647 GALAXY WAY, MODESTO CA. 95356 TEL: (209) 874-6140 LICENSE #: 1088997		
STEEL SCOPE: DAVIS CAR WASH			
PROJ. / CLIENT: STF IRON			
BUILDING:			
LOCATION: 480 MCACE BLVD. DAVIS, CA			
DATE:	DATE	STATUS: Not Set	
DRAWN BY: MJW	JOB NO:	SHEET NO: 108	REV: C
CHECKED BY: KW			

Mark	Quantity	Description	Length	Grade	Part weight	Total weight
Ba109	1					
Ba109	1	L2-1/2X2-1/2X1/4	15'-0"	A36	61.50	61.50
ba1013	1	FL 1/2X1 1/2	15'-0"	A36	38.29	38.29
#internal1000	6	1/2" Nelson S3L-Inch	0'-4"	Mild Steel	0.58	3.51
	8				103.29	103.29
TOTAL:					103.29	103.29




1 - **Ba109** L2-1/2X2-1/2X1/4
Grid reference

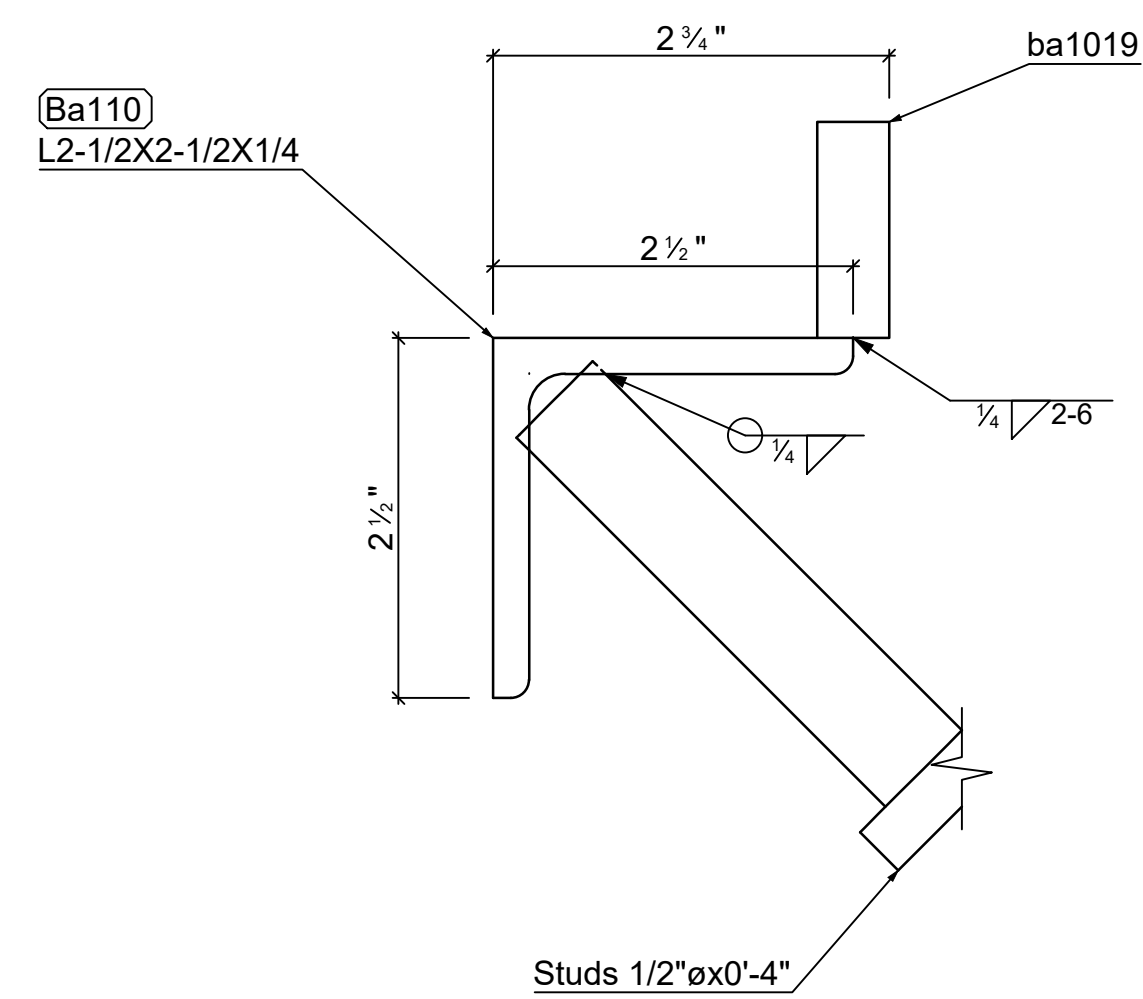
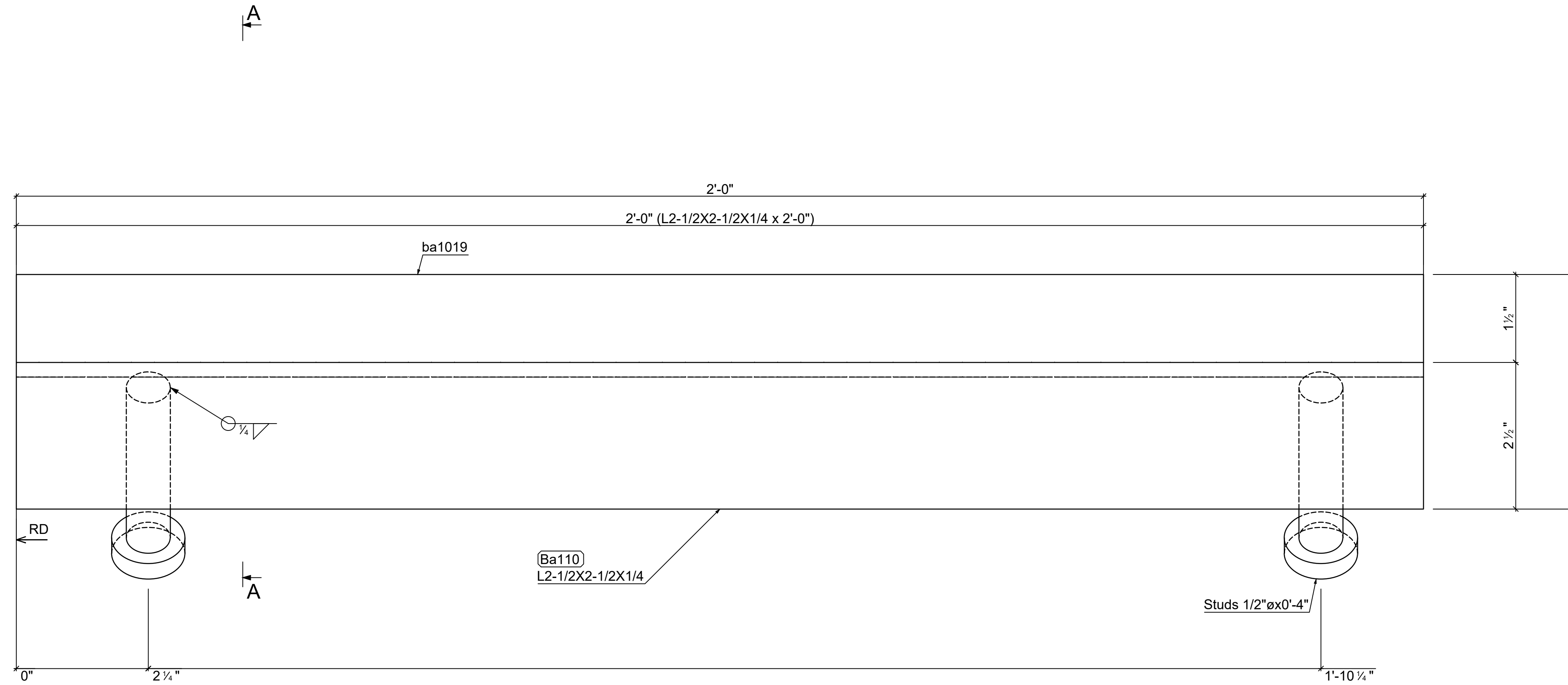


Section A - A

REV.	Date	BY	Description
A	3/29/2023	MJW	ISSUED FOR APPROVAL
B	4/20/2023	MJW	REVISED FOR APPROVAL
C	6/6/2023	MJW	REVISED FOR APPROVAL

	<h1>STF IRON INC.</h1>		
	647 GALAXY WAY, MODESTO CA. 95356 TEL: (209) 874-6140 LICENSE #: 1088997		
STEEL SCOPE: DAVIS CAR WASH			
PROJ. / CLIENT: STF IRON			
BUILDING:			
LOCATION: 480 MCACE BLVD. DAVIS, CA			
DATE:	DATE	STATUS: Not Set	
DRAWN BY: MJW	JOB NO:	SHEET NO: 109	REV: C
CHECKED BY: KW			


Mark	Quantity	Description	Length	Grade	Part weight	Total weight
Ba110	1					
Ba110	1	L2-1/2X2-1/2X1/4	2'-0"	A36	8.20	8.20
ba1019	1	FL 1/2X1 1/2	2'-0"	A36	5.10	5.10
#Internal1000	2	1/2" Nelson S3L-Inch	0'-4"	Mild Steel	0.58	1.17
	4				14.47	14.47
					TOTAL:	14.47



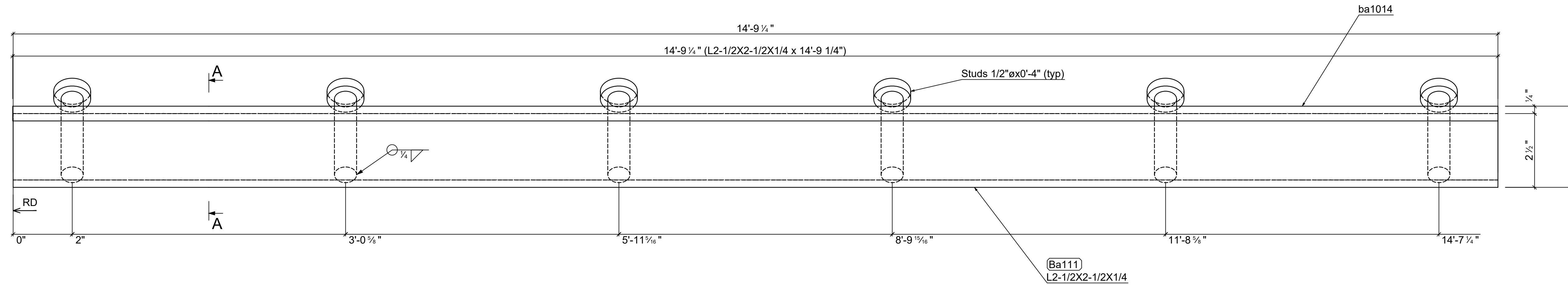
Section A - A

1 - **Ba110** L2-1/2X2-1/2X1/4
Grid reference

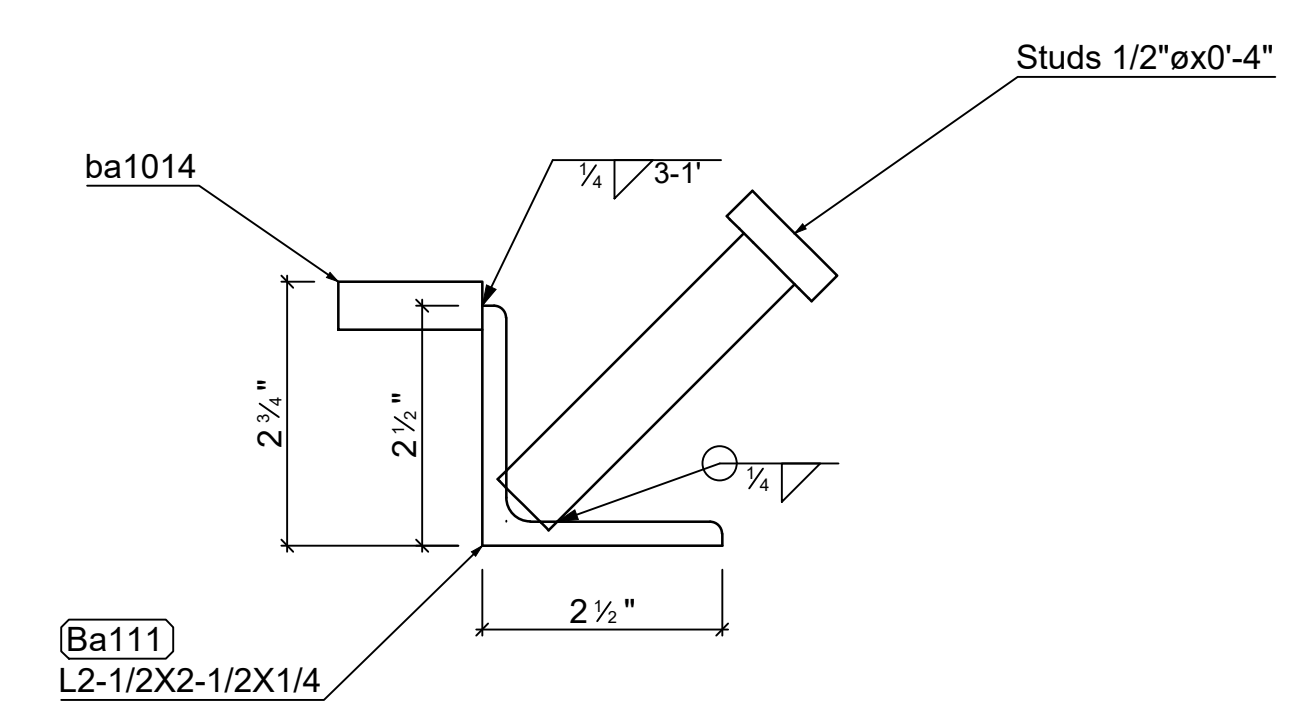
REV.	Date	BY	Description
A	3/29/2023	MJW	ISSUED FOR APPROVAL
B	4/20/2023	MJW	REVISED FOR APPROVAL
C	6/6/2023	MJW	REVISED FOR APPROVAL

	<h1>STF IRON INC.</h1>		
	647 GALAXY WAY, MODESTO CA. 95356 TEL: (209) 874-6140 LICENSE #: 1088997		
STEEL SCOPE:		DAVIS CAR WASH	
PROJ. / CLIENT:		STF IRON	
BUILDING:			
LOCATION:		480 MCACE BLVD. DAVIS, CA	
DATE:	DATE	STATUS: Not Set	
DRAWN BY:	MJW	JOB NO:	SHEET NO: 110
CHECKED BY:	KW		REV: C

Mark	Quantity	Description	Length	Grade	Part weight	Total weight
Ba111	1					
Ba111	1	L2-1/2X2-1/2X1/4	14'-9 1/4"	A36	60.56	60.56
ba1014	1	FL 1/2X1 1/2	14'-9 1/4"	A36	37.70	37.70
#internal1000	6	1/2" Nelson S3L-Inch	0'-4"	Mild Steel	0.58	3.51
	8				101.77	101.77
					TOTAL:	101.77




1 - **Ba111** L2-1/2X2-1/2X1/4
Grid reference



Section A - A

REV.	Date	BY	Description
A	3/29/2023	MJW	ISSUED FOR APPROVAL
B	4/20/2023	MJW	REVISED FOR APPROVAL
C	6/6/2023	MJW	REVISED FOR APPROVAL



STF IRON INC.
647 GALAXY WAY, MODESTO CA. 95356
TEL: (209) 874-6140 LICENSE #: 1088997

STEEL SCOPE: DAVIS CAR WASH

PROJ. / CLIENT: STF IRON

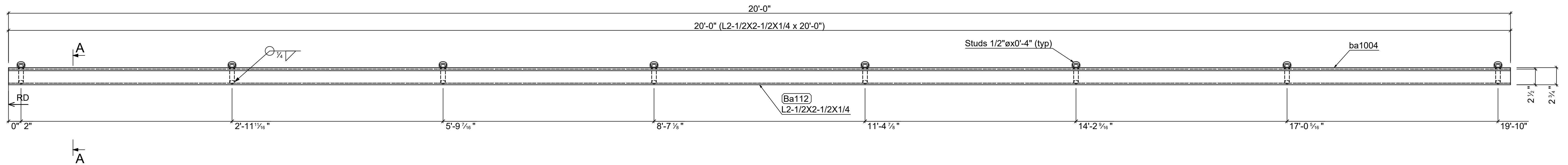
BUILDING:

LOCATION: 480 MCACE BLVD. DAVIS, CA

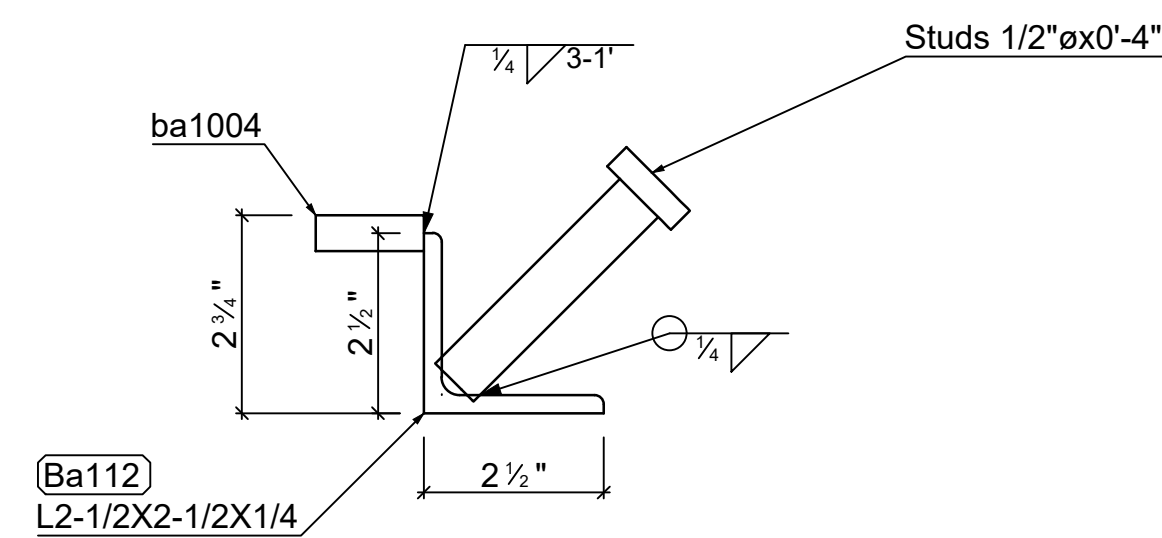
DATE: DATE STATUS: Not Set

DRAWN BY: MJW	JOB NO:	SHEET NO: 111	REV: C
CHECKED BY: KW			

Mark	Quantity	Description	Length	Grade	Part weight	Total weight
Ba112	1					
Ba112	1	L2-1/2X2-1/2X1/4	20'-0"	A36	82.00	82.00
ba1004	1	FL 1/2X1 1/2	20'-0"	A36	51.05	51.05
#internal1000	8	1/2" Nelson S3L-Inch	0'-4"	Mild Steel	0.58	4.68
	10				137.73	137.73
	10				TOTAL:	137.73




1 - **Ba112** L2-1/2X2-1/2X1/4
Grid reference

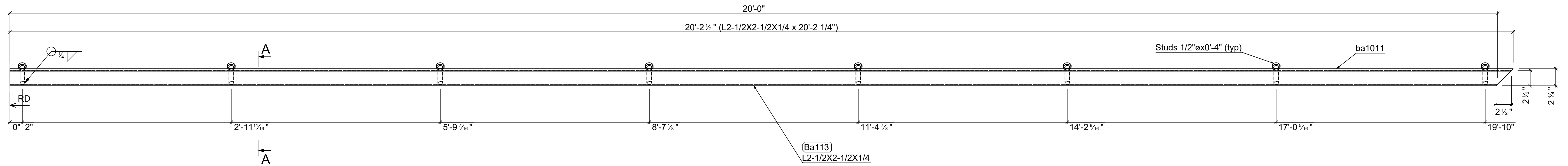


Section A - A

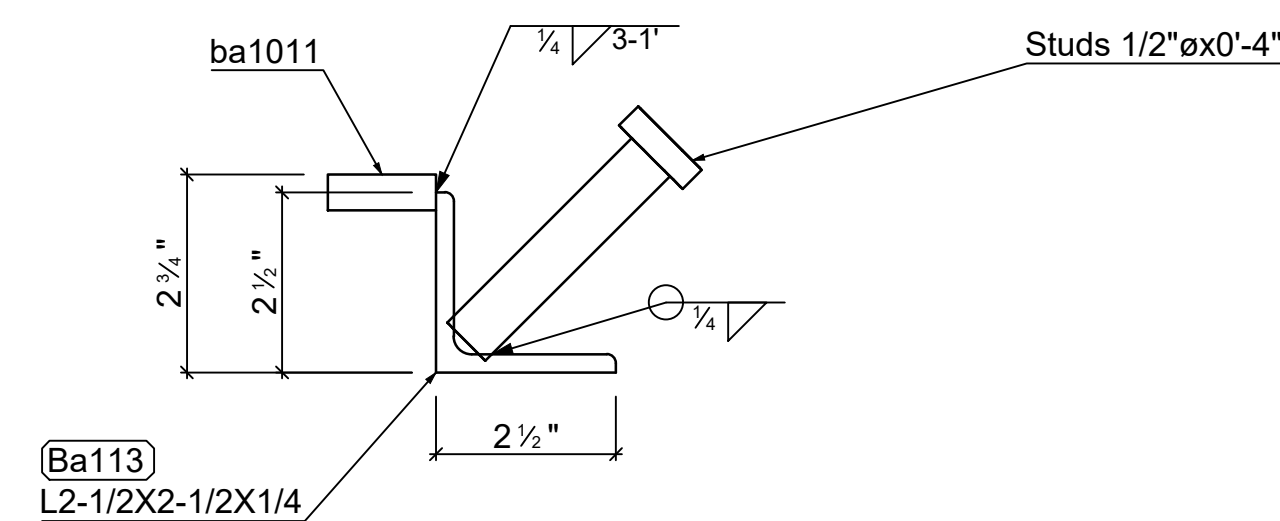
REV.	Date	BY	Description
A	3/29/2023	MJW	ISSUED FOR APPROVAL
B	4/20/2023	MJW	REVISED FOR APPROVAL
C	6/6/2023	MJW	REVISED FOR APPROVAL

	STF IRON INC. 647 GALAXY WAY, MODESTO CA. 95356 TEL: (209) 874-6140 LICENSE #: 1088997		
	STEEL SCOPE: DAVIS CAR WASH PROJ. / CLIENT: STF IRON BUILDING:		
LOCATION: 480 MCACE BLVD. DAVIS, CA		DATE: DATE STATUS: Not Set	
DRAWN BY: MJW	JOB NO:	SHEET NO: 112	REV: C
CHECKED BY: KW			

Mark	Quantity	Description	Length	Grade	Part weight	Total weight
Ba113	1					
Ba113	1	L2-1/2X2-1/2X1/4	20'-2 1/4"	A36	82.77	82.77
ba1011	1	FL 1/2X1 1/2	20'-2 1/2"	A36	51.58	51.58
#internal1000	8	1/2" x Nelson S3L-Inch	0'-4"	Mild Steel	0.58	4.68
	10				139.03	139.03
	10				TOTAL:	139.03




1 - **Ba113** L2-1/2X2-1/2X1/4
Grid reference

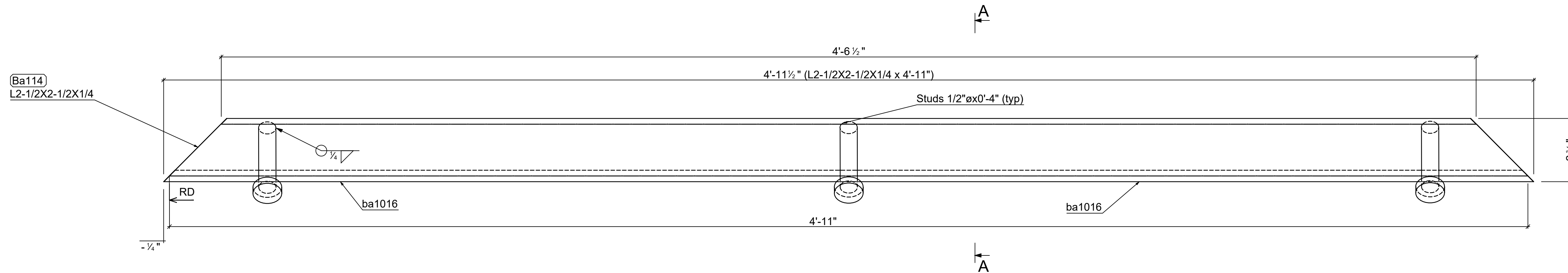
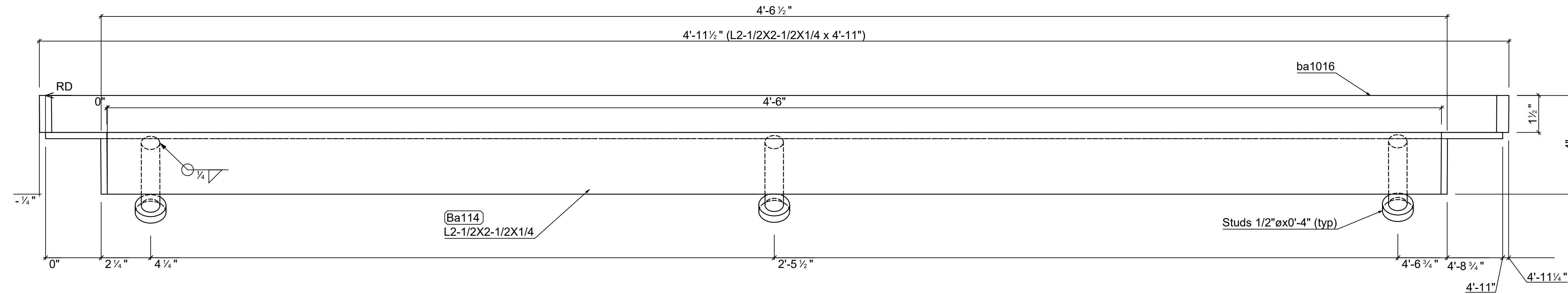


Section A - A

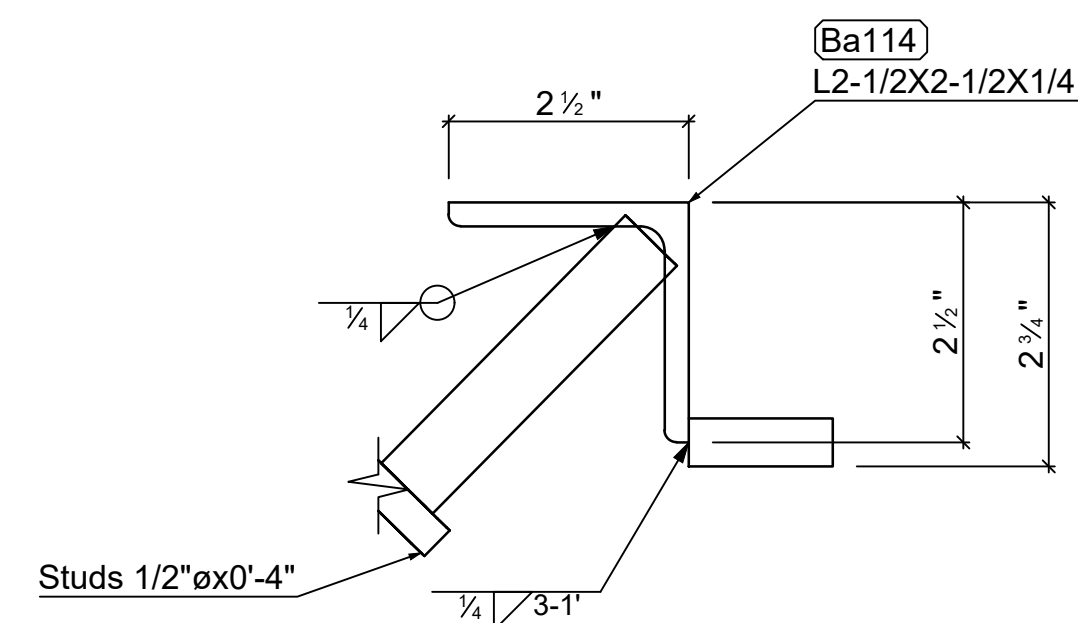
REV.	Date	BY	Description
A	3/29/2023	MJW	ISSUED FOR APPROVAL
B	4/20/2023	MJW	REVISED FOR APPROVAL
C	6/6/2023	MJW	REVISED FOR APPROVAL

	STF IRON INC. 647 GALAXY WAY, MODESTO CA. 95356 TEL: (209) 874-6140 LICENSE #: 1088997		
	STEEL SCOPE: DAVIS CAR WASH PROJ. / CLIENT: STF IRON BUILDING:		
LOCATION: 480 MCACE BLVD. DAVIS, CA			
DATE:	DATE	STATUS: Not Set	
DRAWN BY:	MJW	JOB NO:	SHEET NO: 113
CHECKED BY:	KW		REV: C

Mark	Quantity	Description	Length	Grade	Part weight	Total weight
Ba114	1					
Ba114	1	L2-1/2X2-1/2X1/4	4'-11"	A36	20.16	20.16
ba1016	1	FL 1/2X1 1/2	4'-11 1/2"	A36	12.66	12.66
Internal1000	3	1/2"e Nelson S3L-Inch	0'-4"	Mild Steel	0.58	1.75
	5				34.57	34.57
					TOTAL:	34.57




1 - **Ba114** L2-1/2X2-1/2X1/4
Grid reference

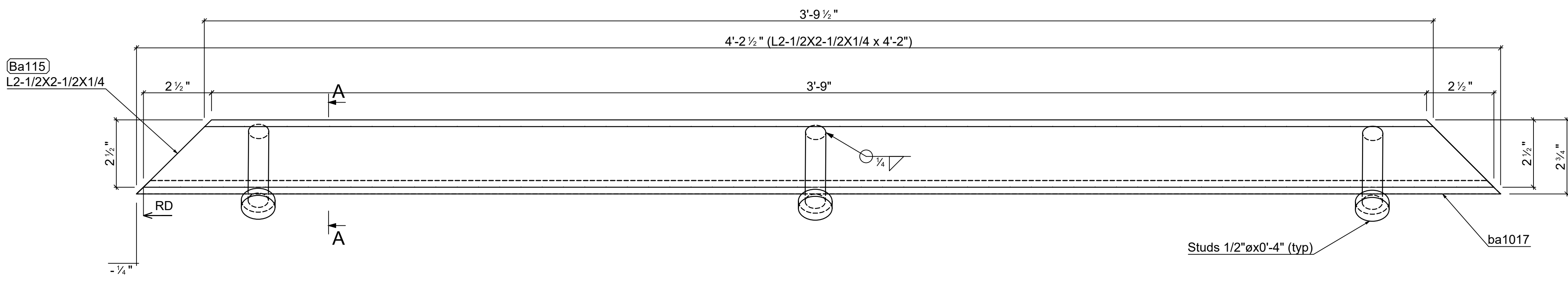
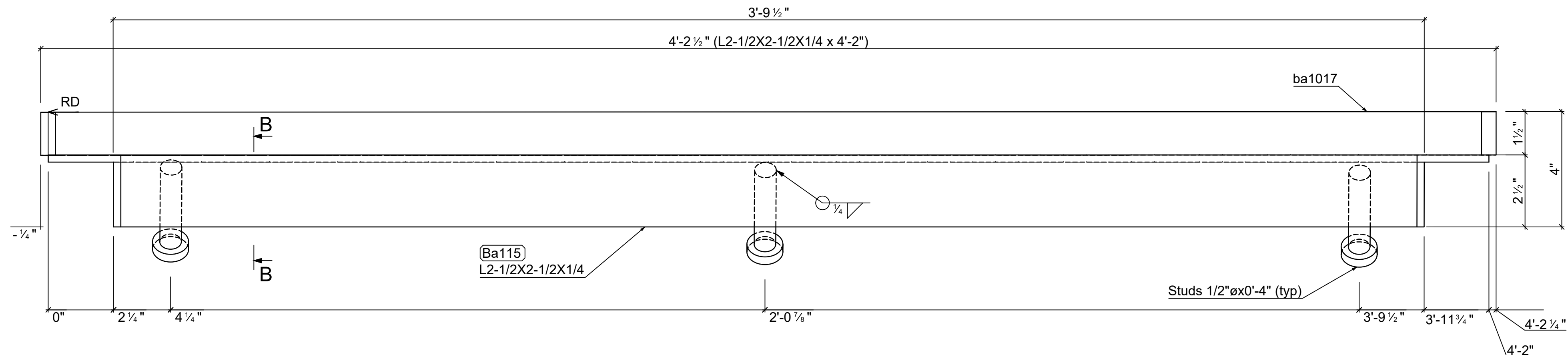


Section A - A

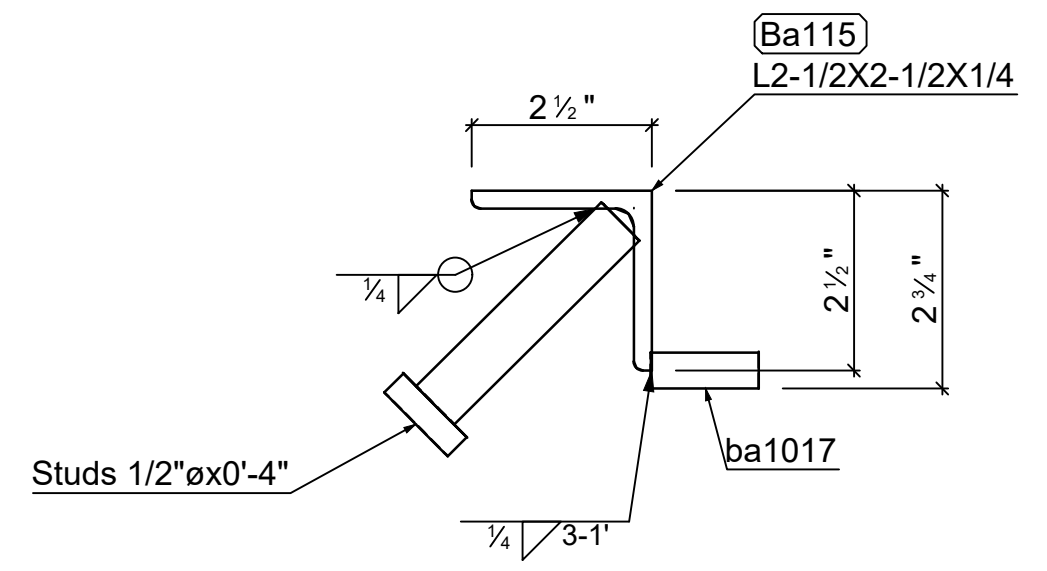
REV.	Date	BY	Description
A	3/29/2023	MJW	ISSUED FOR APPROVAL
B	4/20/2023	MJW	REVISED FOR APPROVAL
C	6/6/2023	MJW	REVISED FOR APPROVAL

	STF IRON INC.		
	647 GALAXY WAY, MODESTO CA. 95356 TEL: (209) 874-6140 LICENSE #: 1088997		
STEEL SCOPE:		DAVIS CAR WASH	
PROJ. / CLIENT:		STF IRON	
BUILDING:			
LOCATION:		480 MCACE BLVD. DAVIS, CA	
DATE:	DATE	STATUS: Not Set	
DRAWN BY:	MJW	JOB NO:	SHEET NO: 114
CHECKED BY:	KW		REV: C

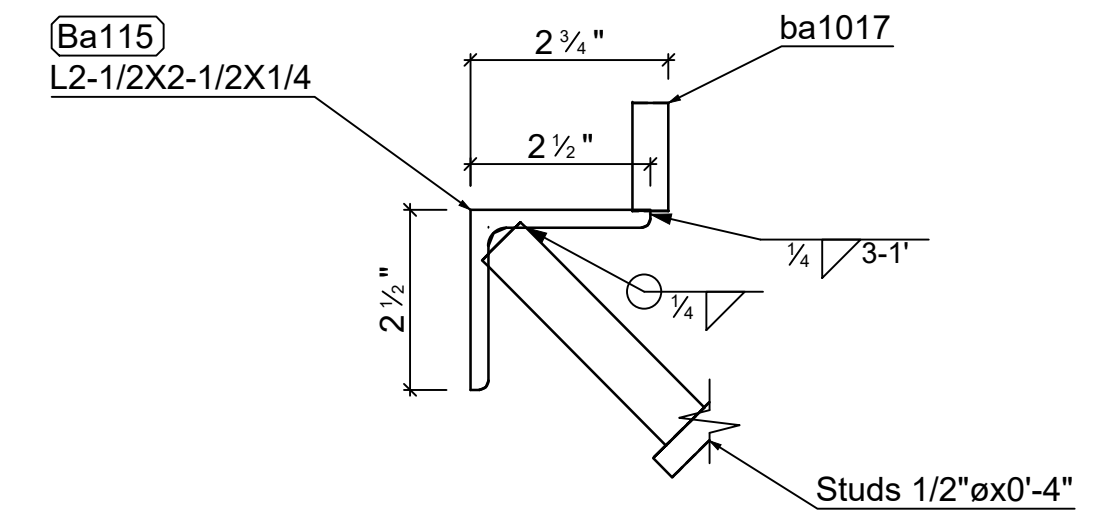
Mark	Quantity	Description	Length	Grade	Part weight	Total weight
Ba115	1					
Ba115	1	L2-1/2X2-1/2X1/4	4'-2"	A36	17.08	17.08
ba1017	1	FL 1/2X1 1/2	4'-2 1/2"	A36	10.74	10.74
Internal1000	3	1/2" Nelson S3L-Inch	0'-4"	Mild Steel	0.58	1.75
	5				29.58	29.58
		TOTAL:				29.58



1 - **Ba115** L2-1/2X2-1/2X1/4
Grid reference




Section A - A



Section B - B

REV.	Date	BY	Description
A	3/29/2023	MJW	ISSUED FOR APPROVAL
B	4/20/2023	MJW	REVISED FOR APPROVAL
C	6/6/2023	MJW	REVISED FOR APPROVAL



STF IRON INC.

647 GALAXY WAY, MODESTO CA. 95356
TEL: (209) 874-6140 LICENSE #: 1088997

STEEL SCOPE: DAVIS CAR WASH

PROJ. / CLIENT: STF IRON

BUILDING:

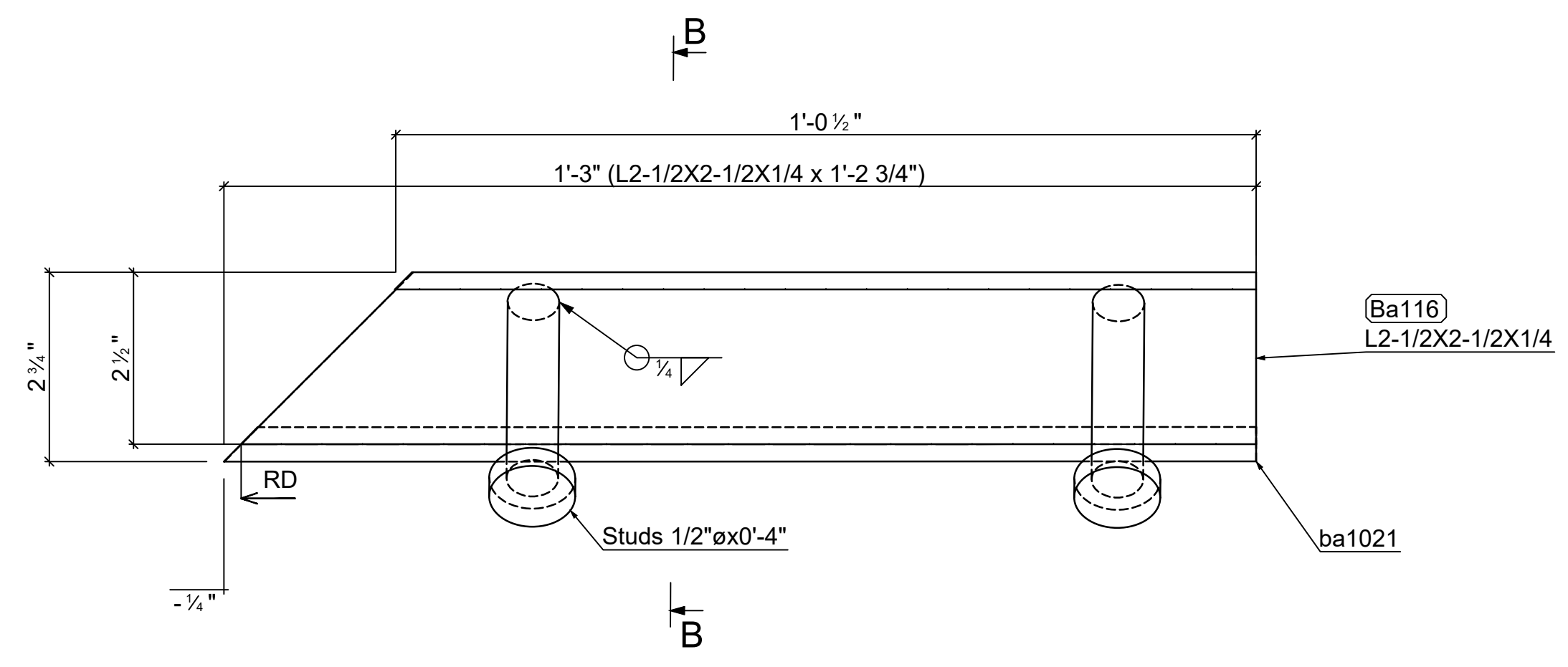
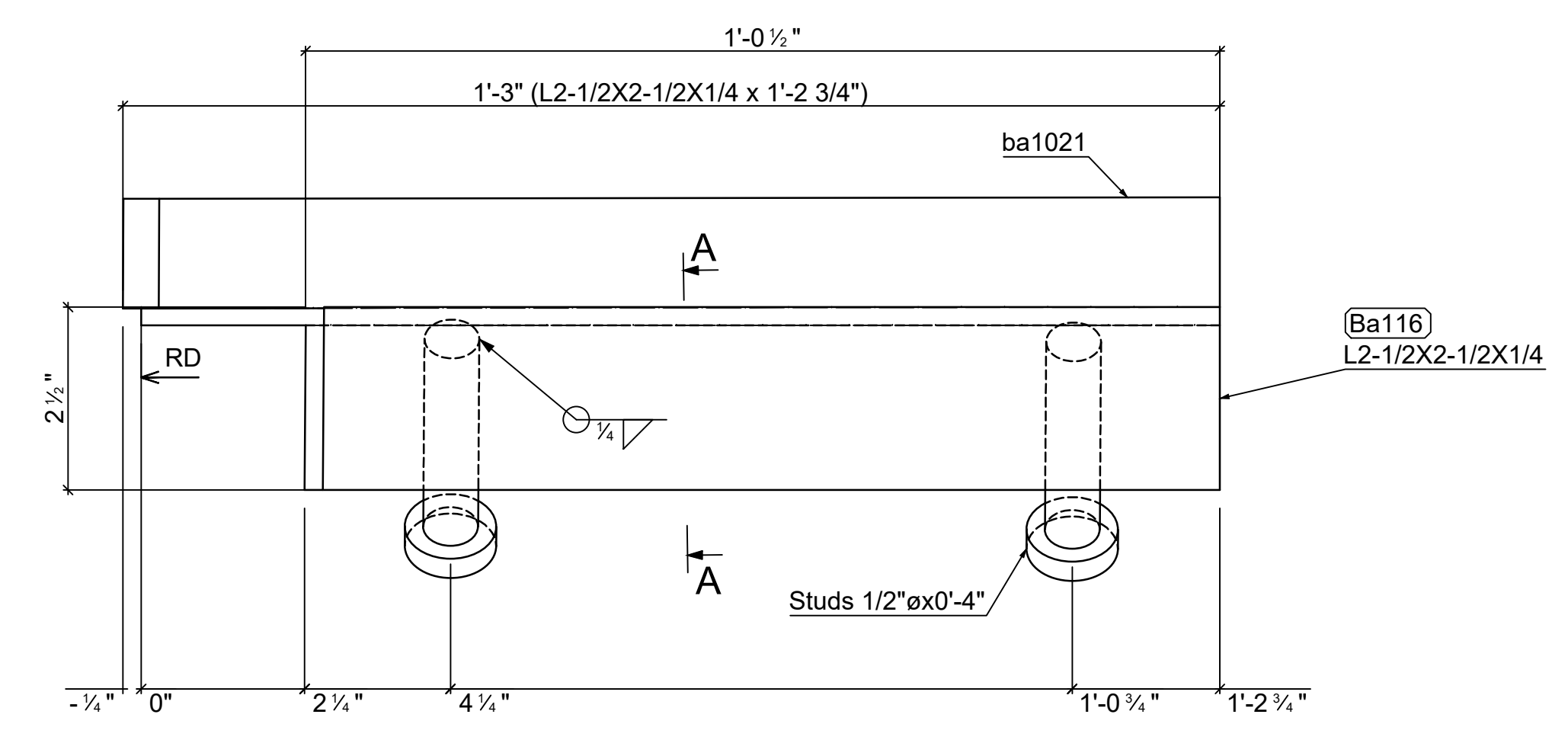
LOCATION: 480 MCACE BLVD. DAVIS, CA

DATE: DATE STATUS: Not Set

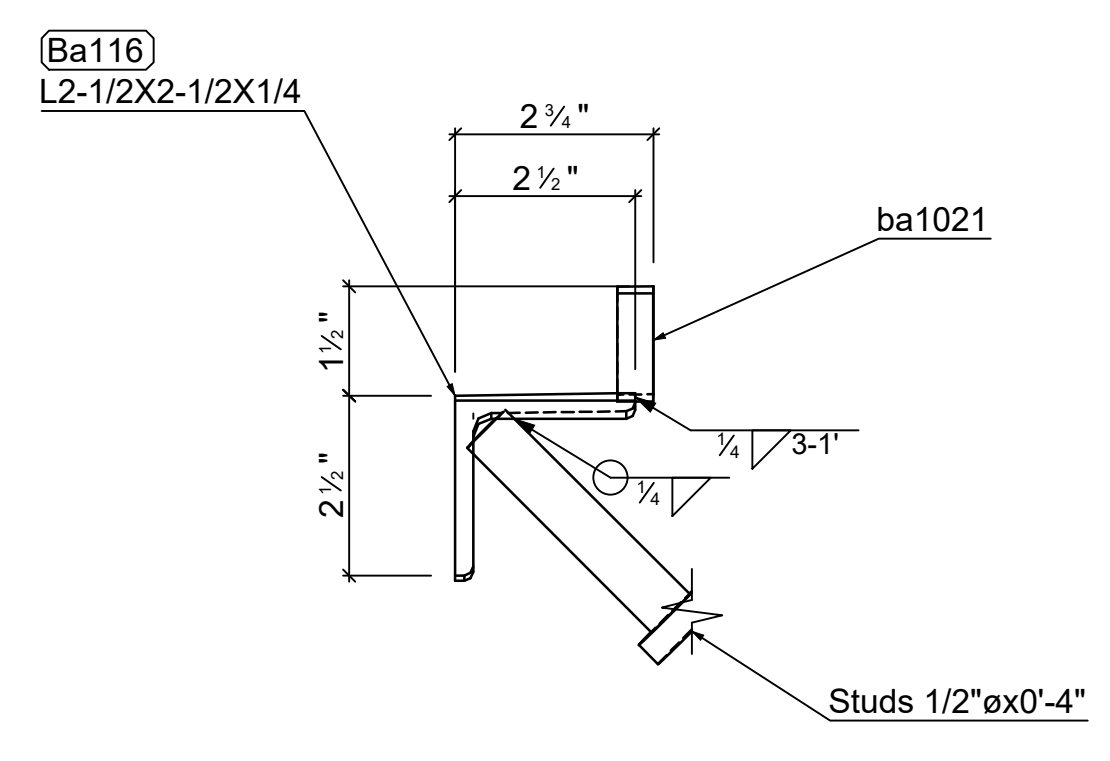
DRAWN BY: MJW JOB NO: SHEET NO: 115 REV: C

CHECKED BY: KW

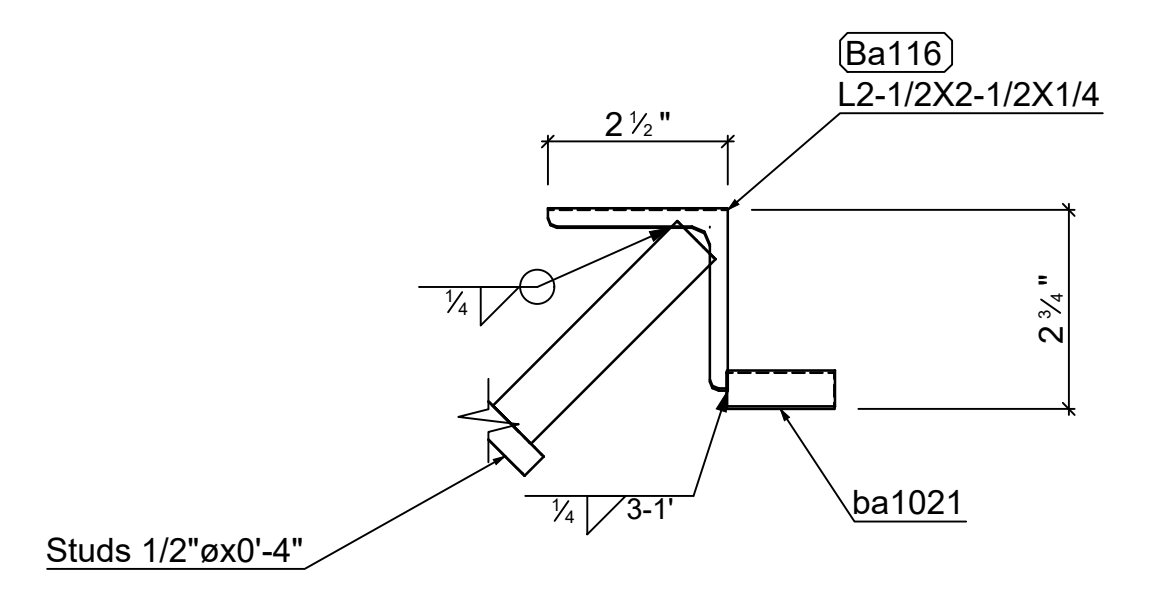
Mark	Quantity	Description	Length	Grade	Part weight	Total weight
Ba116	1	L2-1/2X2-1/2X1/4				
Ba116	1	L2-1/2X2-1/2X1/4	1'-2 3/4"	A36	5.04	5.04
ba1021	1	FL 1/2X1 1/2	1'-3"	A36	3.19	3.19
Internal1000	2	1/2" Nelson S3L-Inch	0'-4"	Mild Steel	0.58	1.17
	4				9.40	9.40
	4				TOTAL:	9.40



1 - **Ba116** L2-1/2X2-1/2X1/4
Grid reference




Section A - A



Section B - B

REV.	Date	BY	Description
A	3/29/2023	MJW	ISSUED FOR APPROVAL
B	4/20/2023	MJW	REVISED FOR APPROVAL
C	6/6/2023	MJW	REVISED FOR APPROVAL



STF IRON INC.

647 GALAXY WAY, MODESTO CA. 95356
TEL: (209) 874-6140 LICENSE #: 1088997

STEEL SCOPE: DAVIS CAR WASH

PROJ. / CLIENT: STF IRON

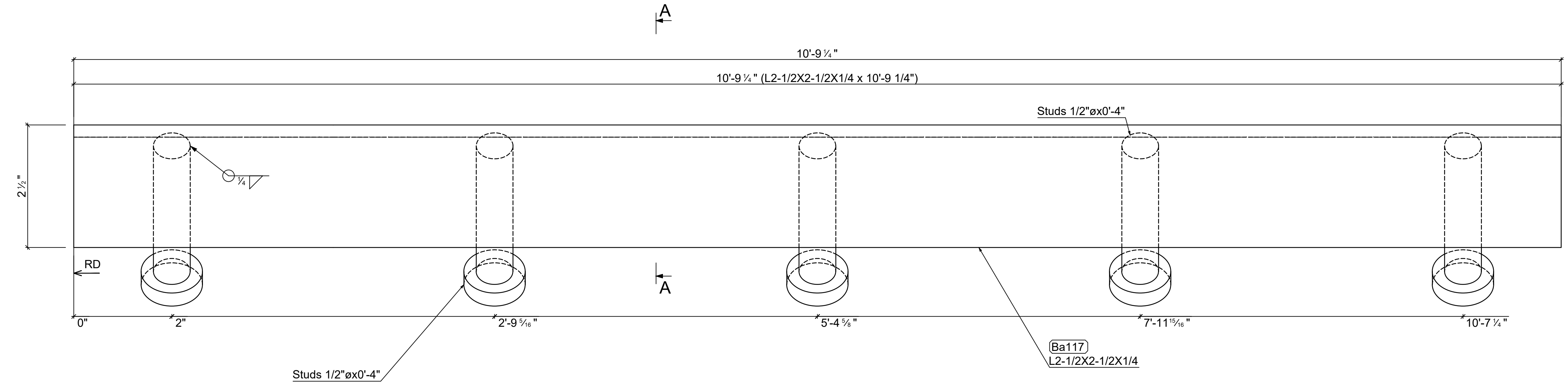
BUILDING:

LOCATION: 480 MCACE BLVD. DAVIS, CA

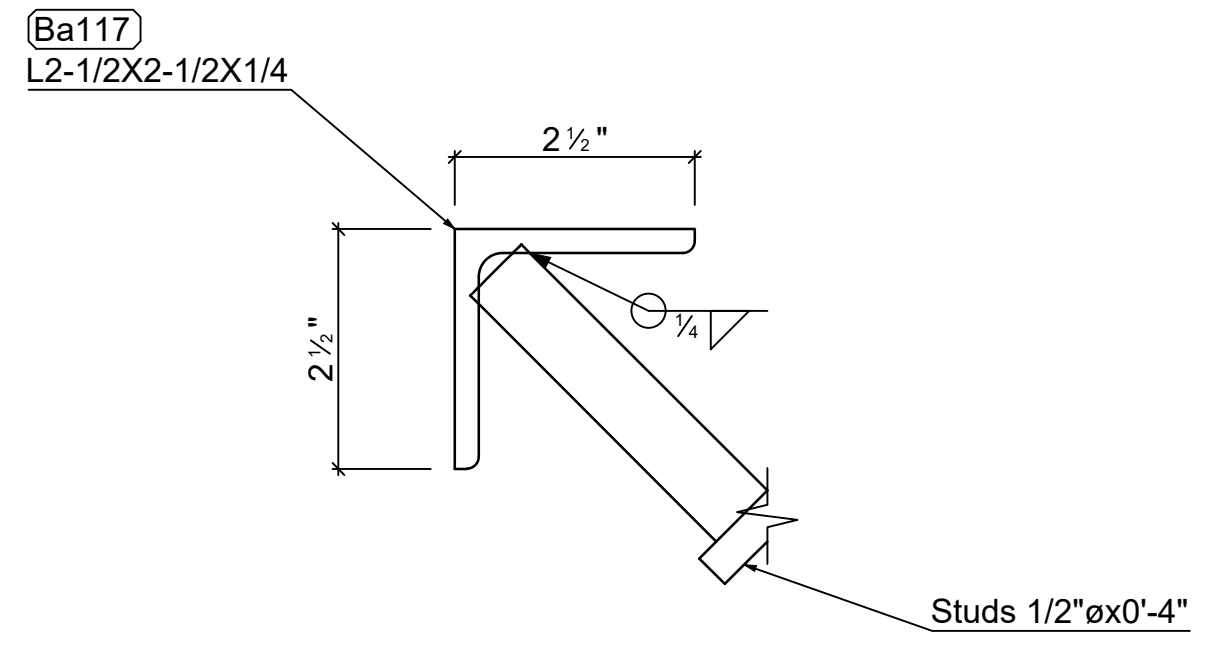
DATE: DATE STATUS: Not Set

DRAWN BY: MJW	JOB NO:	SHEET NO:	REV:
CHECKED BY: KW		116	C

Mark	Quantity	Description	Length	Grade	Part weight	Total weight
Ba117	1					
Ba117	1	L2-1/2X2-1/2X1/4	10'-9 1/4"	A36	44.16	44.16
#Internal1000	5	1/2" Nelson SSL-Inch	0'-4"	Mild Steel	0.58	2.92
	6				47.08	47.08
					TOTAL:	47.08




1 - **Ba117** L2-1/2X2-1/2X1/4
Grid reference

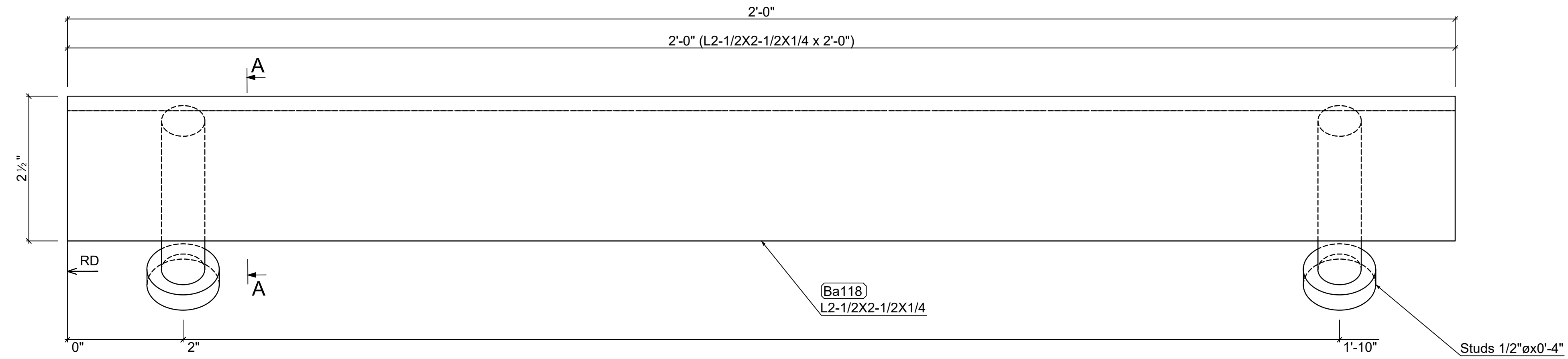


Section A - A

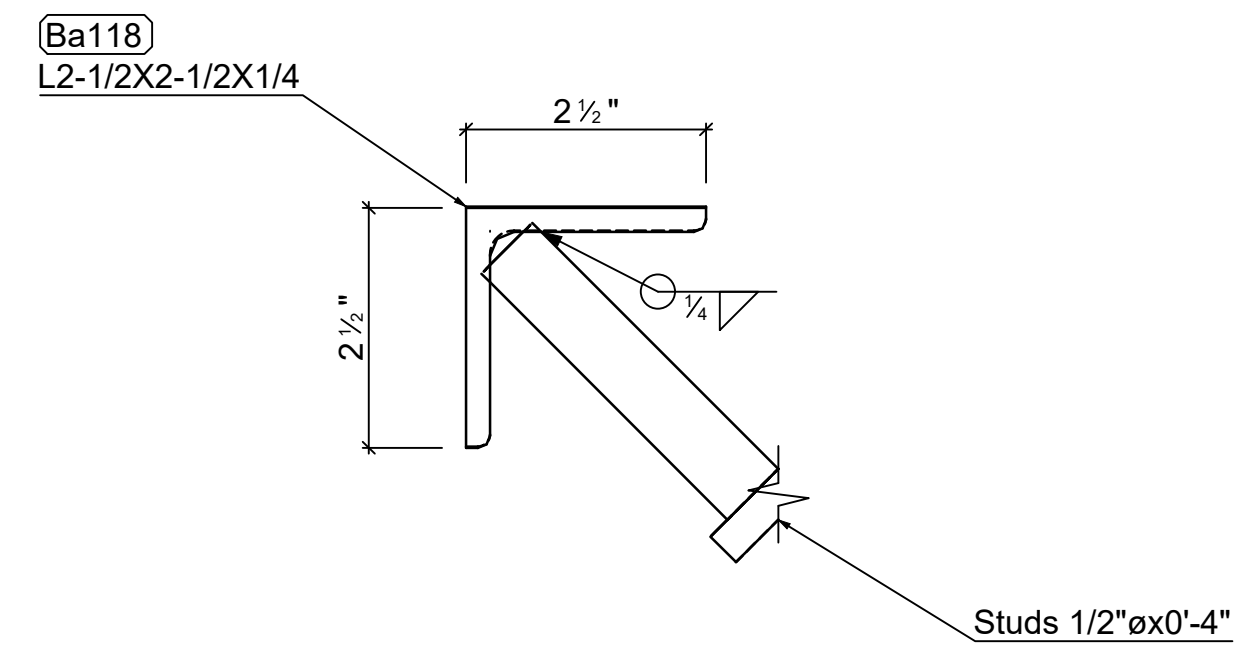
REV.	Date	BY	Description
A	3/29/2023	MJW	ISSUED FOR APPROVAL
B	4/20/2023	MJW	REVISED FOR APPROVAL
C	6/6/2023	MJW	REVISED FOR APPROVAL

	STF IRON INC.	
	647 GALAXY WAY, MODESTO CA. 95356 TEL: (209) 874-6140 LICENSE #: 1088997	
STEEL SCOPE: DAVIS CAR WASH		
PROJ. / CLIENT: STF IRON		
BUILDING:		
LOCATION: 480 MCACE BLVD. DAVIS, CA		
DATE:	DATE	STATUS: Not Set
DRAWN BY: MJW	JOB NO:	SHEET NO: 117
CHECKED BY: KW		REV: C

Mark	Quantity	Description	Length	Grade	Part weight	Total weight
Ba118	1					
Ba118	1	L2-1/2X2-1/2X1/4	2'-0"	A36	8.20	8.20
#Internal1000	2	1/2" Nelson S3L-Inch	0'-4"	Mild Steel	0.58	1.17
	3				9.37	9.37
	3				TOTAL:	9.37




1 - **Ba118** L2-1/2X2-1/2X1/4
Grid reference

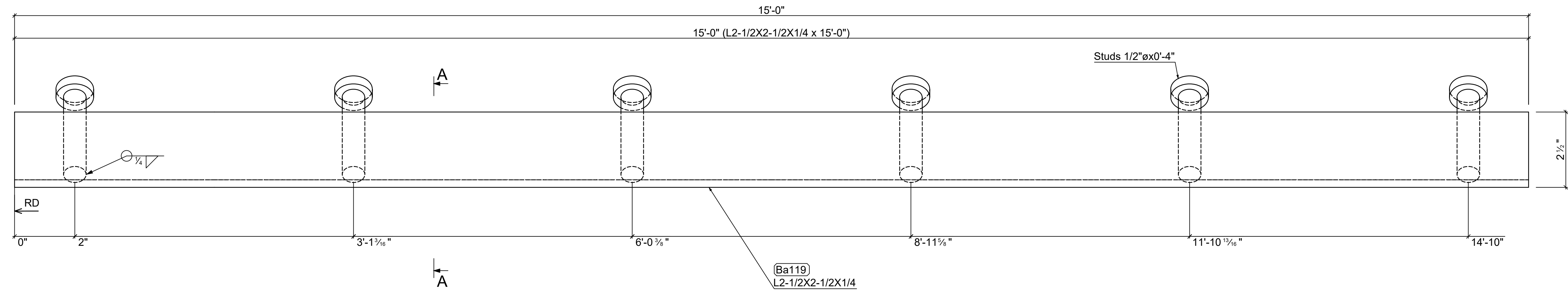


Section A - A

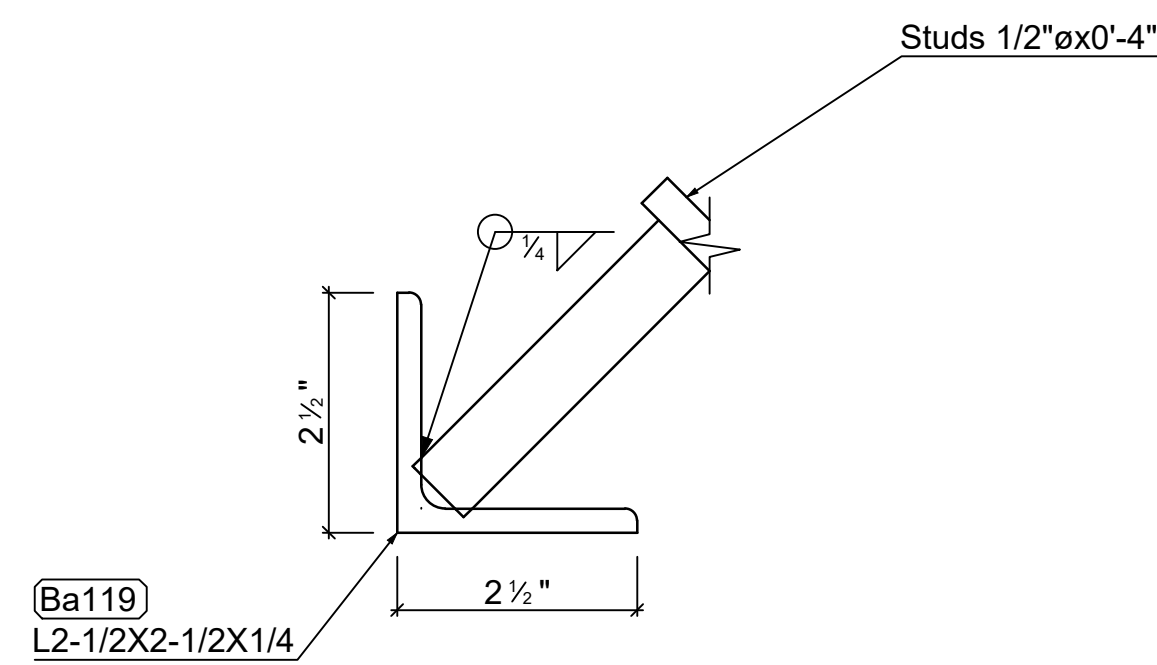
REV.	Date	BY	Description
A	3/29/2023	MJW	ISSUED FOR APPROVAL
B	4/20/2023	MJW	REVISED FOR APPROVAL
C	6/6/2023	MJW	REVISED FOR APPROVAL

	STF IRON INC. 647 GALAXY WAY, MODESTO CA. 95356 TEL: (209) 874-6140 LICENSE #: 1088997	
	STEEL SCOPE: DAVIS CAR WASH PROJ. / CLIENT: STF IRON BUILDING:	
LOCATION: 480 MCACE BLVD. DAVIS, CA		DATE: DATE STATUS: Not Set
DRAWN BY: MJW CHECKED BY: KW	JOB NO:	SHEET NO: 118 REV: C

Mark	Quantity	Description	Length	Grade	Part weight	Total weight
Ba119	1	L2-1/2X2-1/2X1/4				
Ba119	1	L2-1/2X2-1/2X1/4	15'-0"	A36	61.50	61.50
#Internal1000	6	1/2" Nelson S3L-Inch	0'-4"	Mild Steel	0.58	3.51
	7				65.01	65.01
	7				TOTAL:	65.01




1 - **Ba119** L2-1/2X2-1/2X1/4
Grid reference

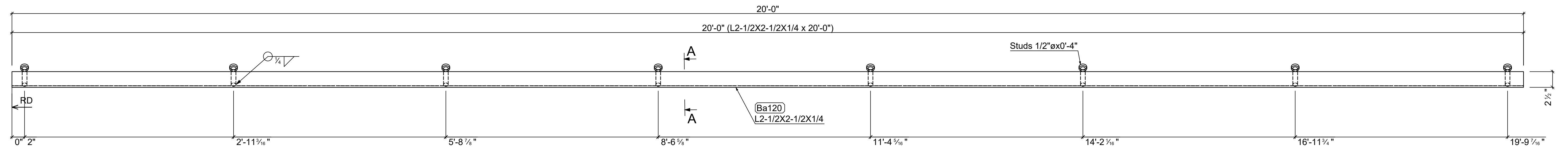


Section A - A

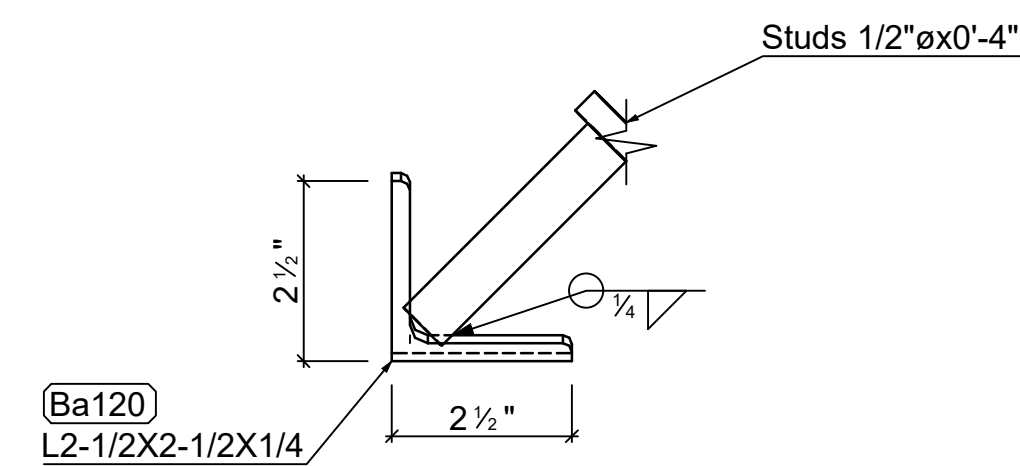
REV.	Date	BY	Description
A	3/29/2023	MJW	ISSUED FOR APPROVAL
B	4/20/2023	MJW	REVISED FOR APPROVAL
C	6/6/2023	MJW	REVISED FOR APPROVAL

	STF IRON INC. 647 GALAXY WAY, MODESTO CA. 95356 TEL: (209) 874-6140 LICENSE #: 1088997		
	STEEL SCOPE: DAVIS CAR WASH PROJ. / CLIENT: STF IRON BUILDING:		
LOCATION: 480 MCACE BLVD. DAVIS, CA		DATE: DATE STATUS: Not Set	
DRAWN BY: MJW	JOB NO:	SHEET NO: 119	REV: C
CHECKED BY: KW			

Mark	Quantity	Description	Length	Grade	Part weight	Total weight
Ba120	1					
Ba120	1	L2-1/2X2-1/2X1/4	20'-0"	A36	82.00	82.00
#Internal1000	8	1/2" x Nelson S3L-Inch	0'-4"	Mild Steel	0.58	4.68
	9				86.68	86.68
					TOTAL:	86.68




1 - **Ba120** L2-1/2X2-1/2X1/4
Grid reference

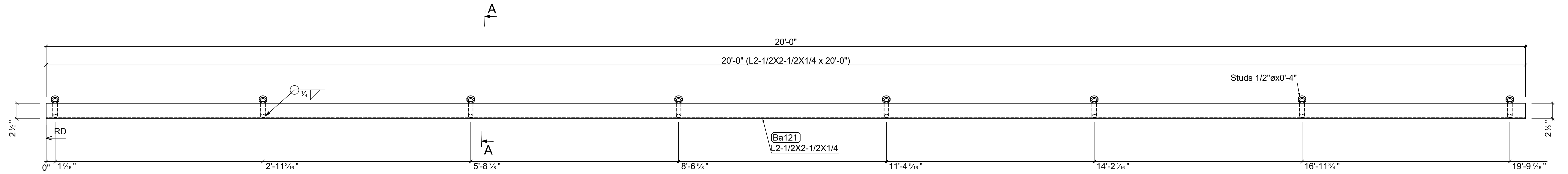


Section A - A

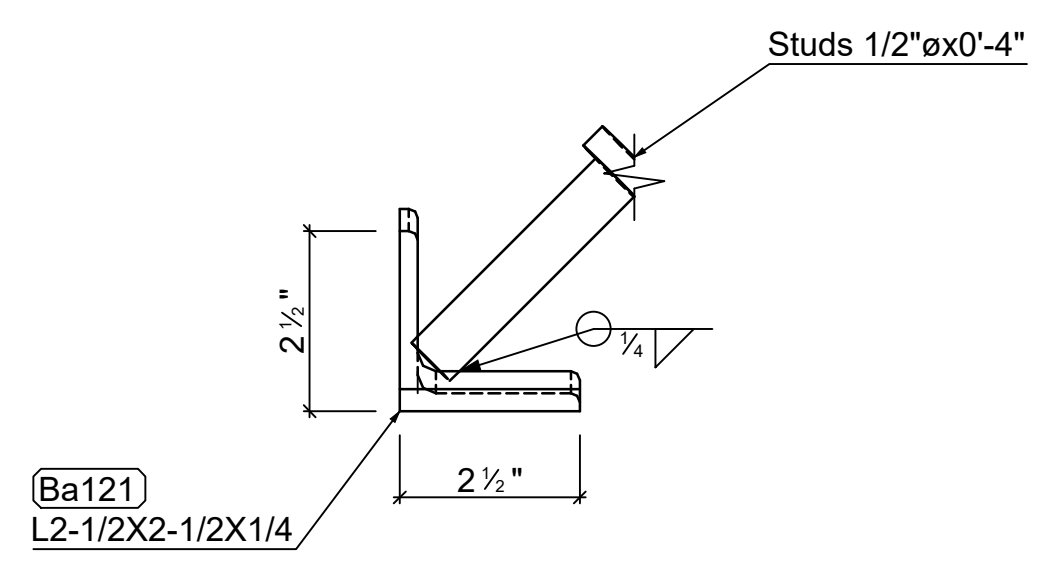
REV.	Date	BY	Description
A	3/29/2023	MJW	ISSUED FOR APPROVAL
B	4/20/2023	MJW	REVISED FOR APPROVAL
C	6/6/2023	MJW	REVISED FOR APPROVAL

	<h1>STF IRON INC.</h1>		
	647 GALAXY WAY, MODESTO CA. 95356 TEL: (209) 874-6140 LICENSE #: 1088997		
STEEL SCOPE: DAVIS CAR WASH			
PROJ. / CLIENT: STF IRON			
BUILDING:			
LOCATION: 480 MCACE BLVD. DAVIS, CA			
DATE: DATE		STATUS: Not Set	
DRAWN BY: MJW	JOB NO:	SHEET NO: 120	REV: C
CHECKED BY: KW			

Mark	Quantity	Description	Length	Grade	Part weight	Total weight
Ba121	1					
Ba121	1	L2-1/2X2-1/2X1/4	20'-0"	A36	82.00	82.00
#Internal1000	8	1/2" Nelsn S3L-Inch	0'-4"	Mild Steel	0.58	4.68
	9				86.68	86.68
	9				TOTAL:	86.68




1 - **Ba121** L2-1/2X2-1/2X1/4
Grid reference

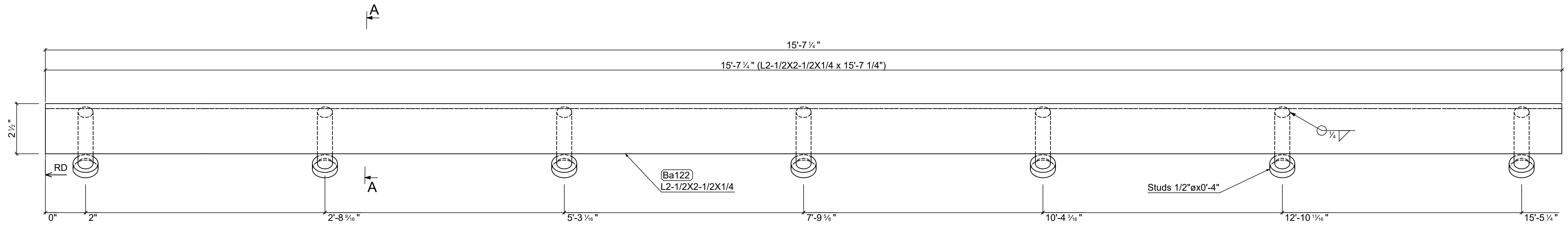


Section A - A

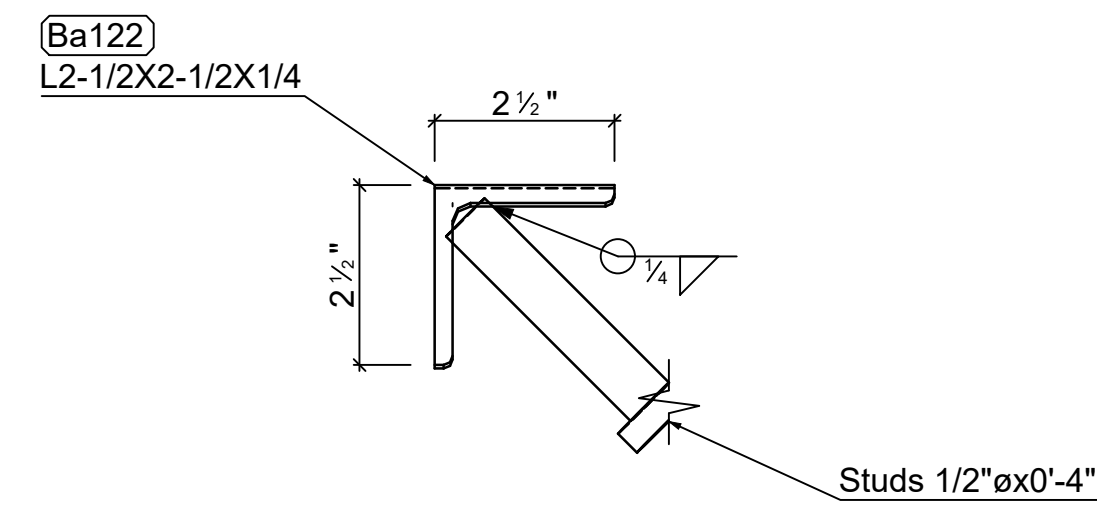
REV.	Date	BY	Description
A	3/29/2023	MJW	ISSUED FOR APPROVAL
B	4/20/2023	MJW	REVISED FOR APPROVAL
C	6/6/2023	MJW	REVISED FOR APPROVAL

	STF IRON INC. 647 GALAXY WAY, MODESTO CA. 95356 TEL: (209) 874-6140 LICENSE #: 1088997	
	STEEL SCOPE: DAVIS CAR WASH PROJ. / CLIENT: STF IRON BUILDING:	
LOCATION: 480 MCACE BLVD. DAVIS, CA		DATE: DATE STATUS: Not Set
DRAWN BY: MJW	JOB NO:	SHEET NO: 121
CHECKED BY: KW		REV: C

Mark	Quantity	Description	Length	Grade	Part weight	Total weight
Ba122	1					
Ba122	1	L2-1/2X2-1/2X1/4	15'-7 1/4"	A36	63.98	63.98
#Internal1000	7	1/2" Nelson S3L-Inch	0'-4"	Mild Steel	0.58	4.09
	8				68.07	68.07
					TOTAL:	68.07




1 - **Ba122** L2-1/2X2-1/2X1/4
Grid reference

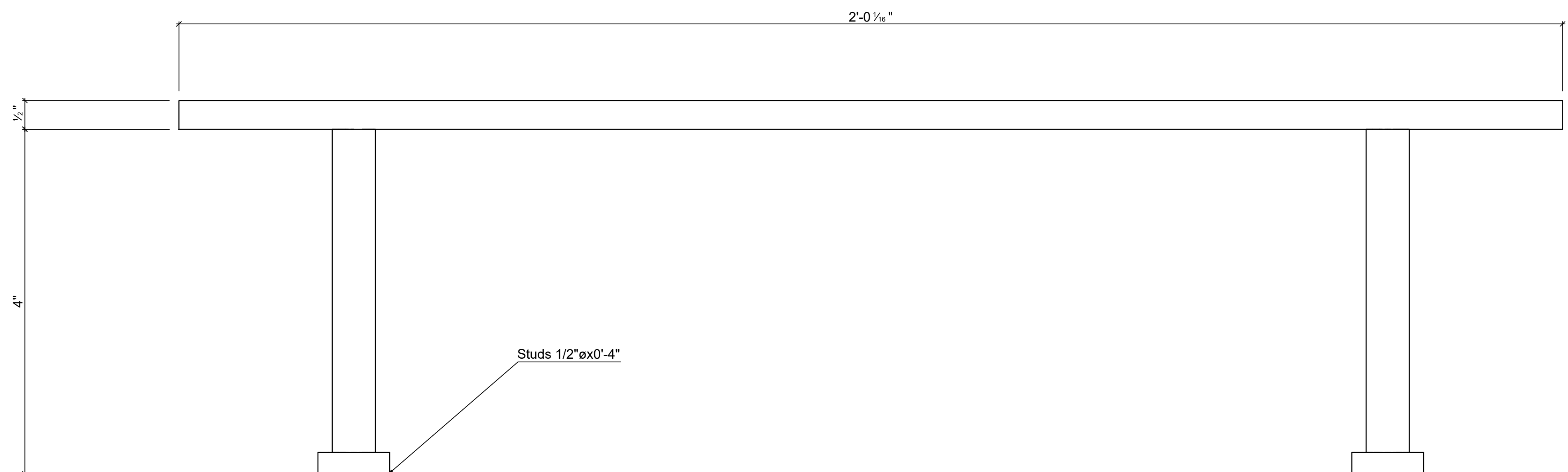
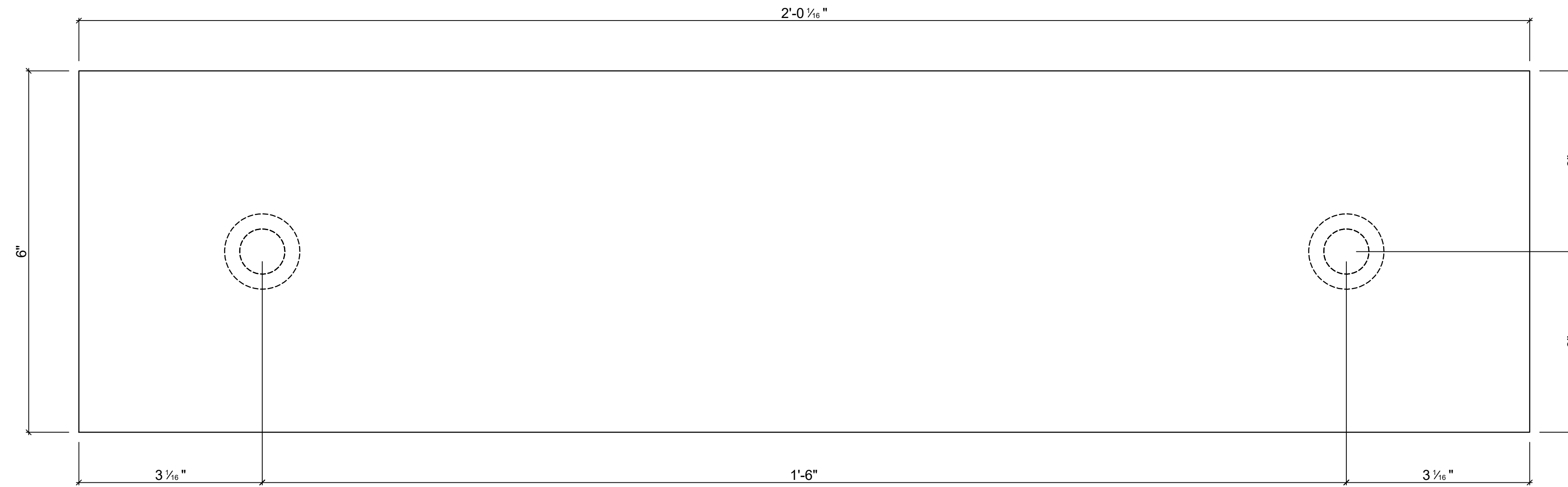


Section A - A

REV.	Date	BY	Description
A	3/29/2023	MJW	ISSUED FOR APPROVAL
B	4/20/2023	MJW	REVISED FOR APPROVAL
C	6/6/2023	MJW	REVISED FOR APPROVAL


	STF IRON INC.		
	647 GALAXY WAY, MODESTO CA. 95356 TEL: (209) 874-6140 LICENSE #: 1088997		
STEEL SCOPE:		DAVIS CAR WASH	
PROJ. / CLIENT:		STF IRON	
BUILDING:			
LOCATION:		480 MCACE BLVD. DAVIS, CA	
DATE:	DATE	STATUS: Not Set	
DRAWN BY:	MJW	JOB NO:	SHEET NO: 122
CHECKED BY:	KW		REV: C

Mark	Quantity	Description	Length	Grade	Part weight	Total weight
Pa123	2					
Pa123	2	PL 1/2"x6"x2'-0 1/16"	2'-0 1/16"	A36	20.49	40.99
-	4	1/2" Nelson SSL-Inch	0'-4"	Mild Steel	0.84	3.34
	6				22.17	44.33
	6				TOTAL:	44.33



2 - **Pa123** PL 1/2"x6"x2'-0 1/16"

REV.	Date	BY	Description
A	3/29/2023	MJW	ISSUED FOR APPROVAL
B	4/20/2023	MJW	REVISED FOR APPROVAL
C	6/6/2023	MJW	REVISED FOR APPROVAL



STF IRON INC.

647 GALAXY WAY, MODESTO CA. 95356
TEL: (209) 874-6140 LICENSE #: 1088997

STEEL SCOPE: DAVIS CAR WASH

PROJ. / CLIENT: STF IRON

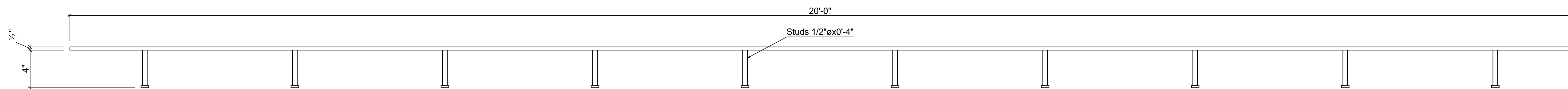
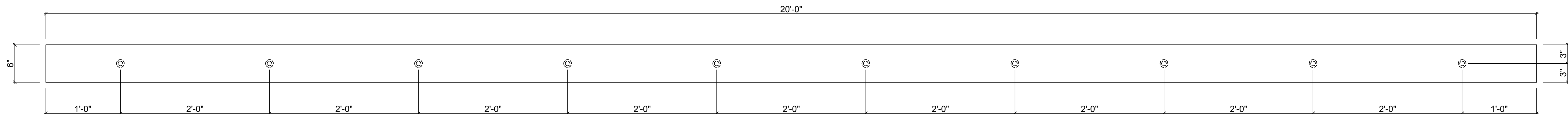
BUILDING:

LOCATION: 480 MCACE BLVD. DAVIS, CA

DATE: DATE STATUS: Not Set


DRAWN BY: MJW	JOB NO:	SHEET NO: 123	REV: C
CHECKED BY: KW			

Mark	Quantity	Description	Length	Grade	Part weight	Total weight
Pa124	3					
Pa124	3	PL 1/2"x6"x20'-0"	20'-0"	A36	204.16	612.47
Internal	30	1/2" Nelson S3L-Inch	0'-4"	Mild Steel	0.84	25.06
	33				212.51	637.53
	33				TOTAL:	637.53



3 - Pa124 PL 1/2"x6"x20'-0"

REV.	Date	BY	Description
C	6/6/2023	MJW	REVISED FOR APPROVAL



STF IRON INC.

647 GALAXY WAY, MODESTO CA. 95356
TEL: (209) 874-6140 LICENSE #: 1088997

STEEL SCOPE: DAVIS CAR WASH

PROJ. / CLIENT: STF IRON

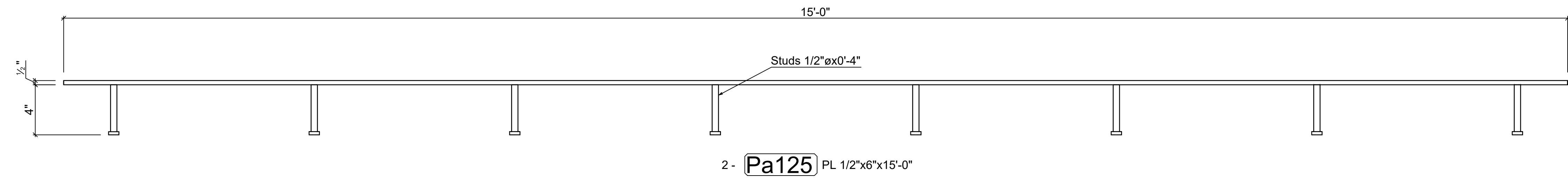
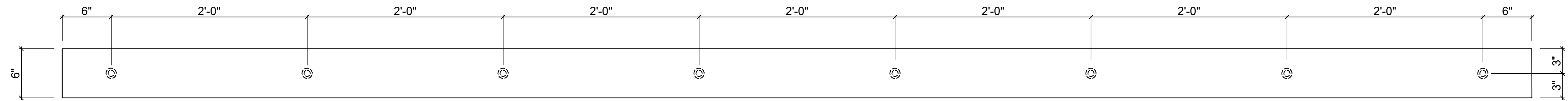
BUILDING:

LOCATION: 480 MCACE BLVD. DAVIS, CA


DATE: DATE STATUS: Not Set

DRAWN BY: MJW	JOB NO:	SHEET NO: 124	REV: C
CHECKED BY: KW			

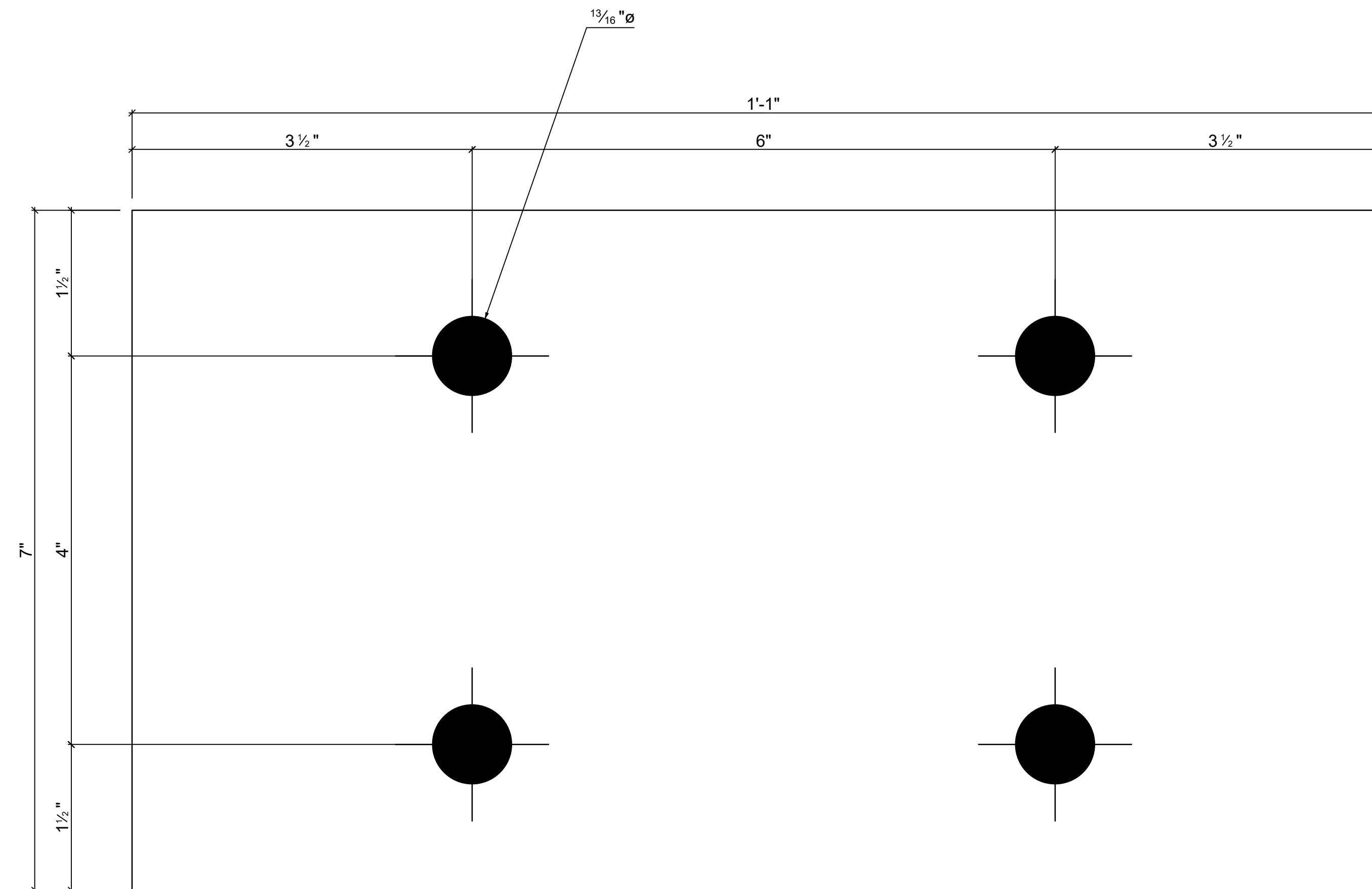
Mark	Quantity	Description	Length	Grade	Part weight	Total weight
Pa125	2					
Pa125	2	PL 1/2"x6"x15'-0"	15'-0"	A36	153.14	306.27
Internal1034	16	1/2" Nelson S3L-Inch	0'-4"	Mild Steel	0.84	13.37
	18				159.82	319.64
					TOTAL:	319.64



REV.	Date	BY	Description
C	6/6/2023	MJW	REVISED FOR APPROVAL

	STF IRON INC. 647 GALAXY WAY, MODESTO CA. 95356 TEL: (209) 874-6140 LICENSE #: 1088997		
	STEEL SCOPE: DAVIS CAR WASH PROJ. / CLIENT: STF IRON BUILDING:		
LOCATION: 480 MCACE BLVD. DAVIS, CA		DATE: DATE STATUS: Not Set	
DRAWN BY: MJW	JOB NO:	SHEET NO: 125	REV: C
CHECKED BY: KW			


Mark	Quantity	Description	Length	Grade	Part weight	Total weight
Pa126	2					
Pa126	2	PL 1/2"x7"x1'-1"	1'-1"	A36	12.90	25.81
	2				12.90	25.81
	2				TOTAL:	25.81



2 - Pa126 PL 1/2"x7"x1'-1"

Quantity	Description	Length
8	3/4"ø US J-Round Anchors	0'-8"

REV.	Date	BY	Description
B	5/1/2023	MJW	REVISED FOR APPROVAL
C	6/6/2023	MJW	REVISED FOR APPROVAL



STF IRON INC.

647 GALAXY WAY, MODESTO CA. 95356
TEL: (209) 874-6140 LICENSE #: 1088997

STEEL SCOPE: DAVIS CAR WASH

PROJ. / CLIENT: STF IRON

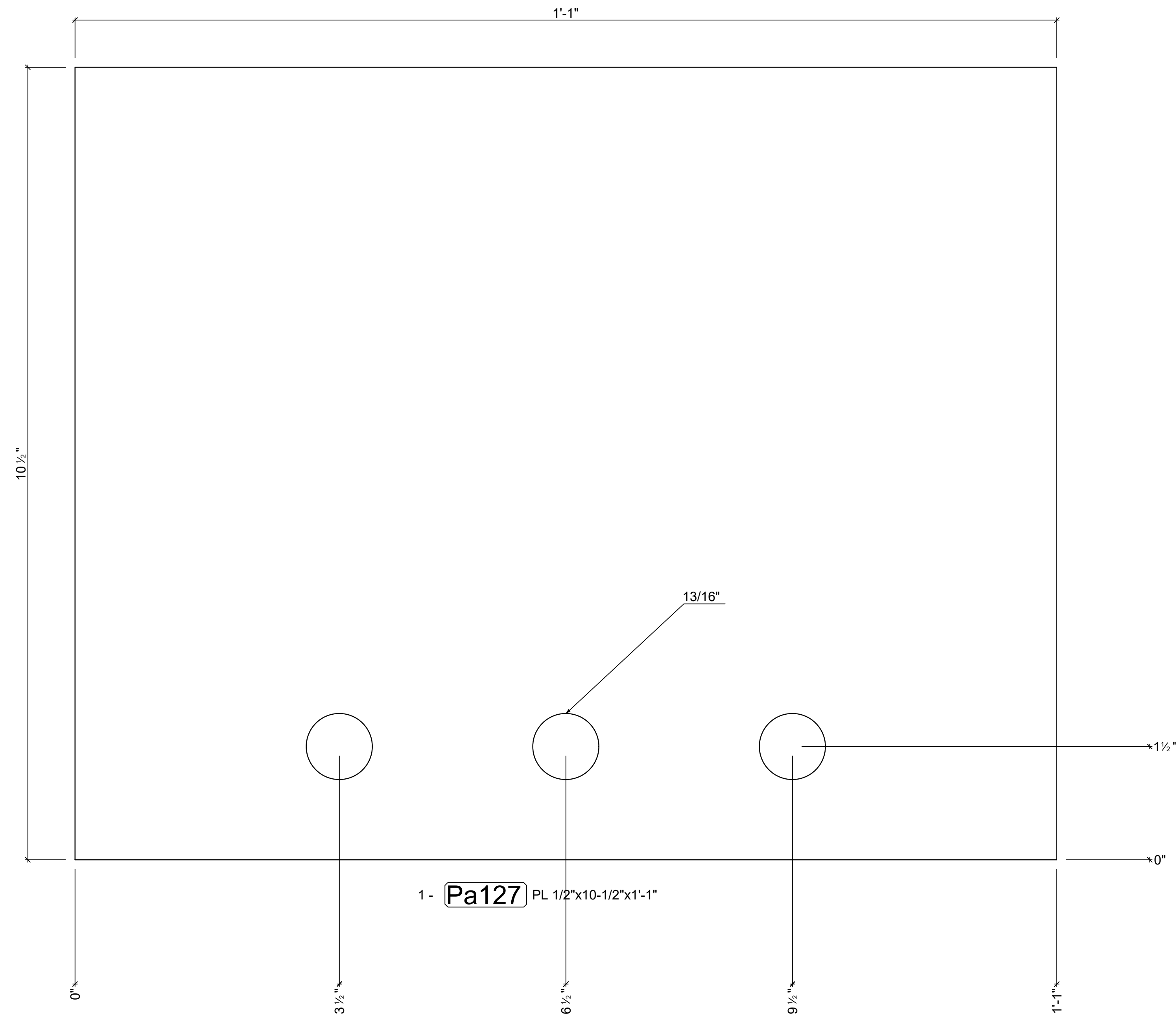
BUILDING:

LOCATION: 480 MACE BLVD. DAVIS, CA


DATE: DATE STATUS: Not Set

DRAWN BY: MJW	JOB NO:	SHEET NO: 126	REV: C
CHECKED BY: KW			

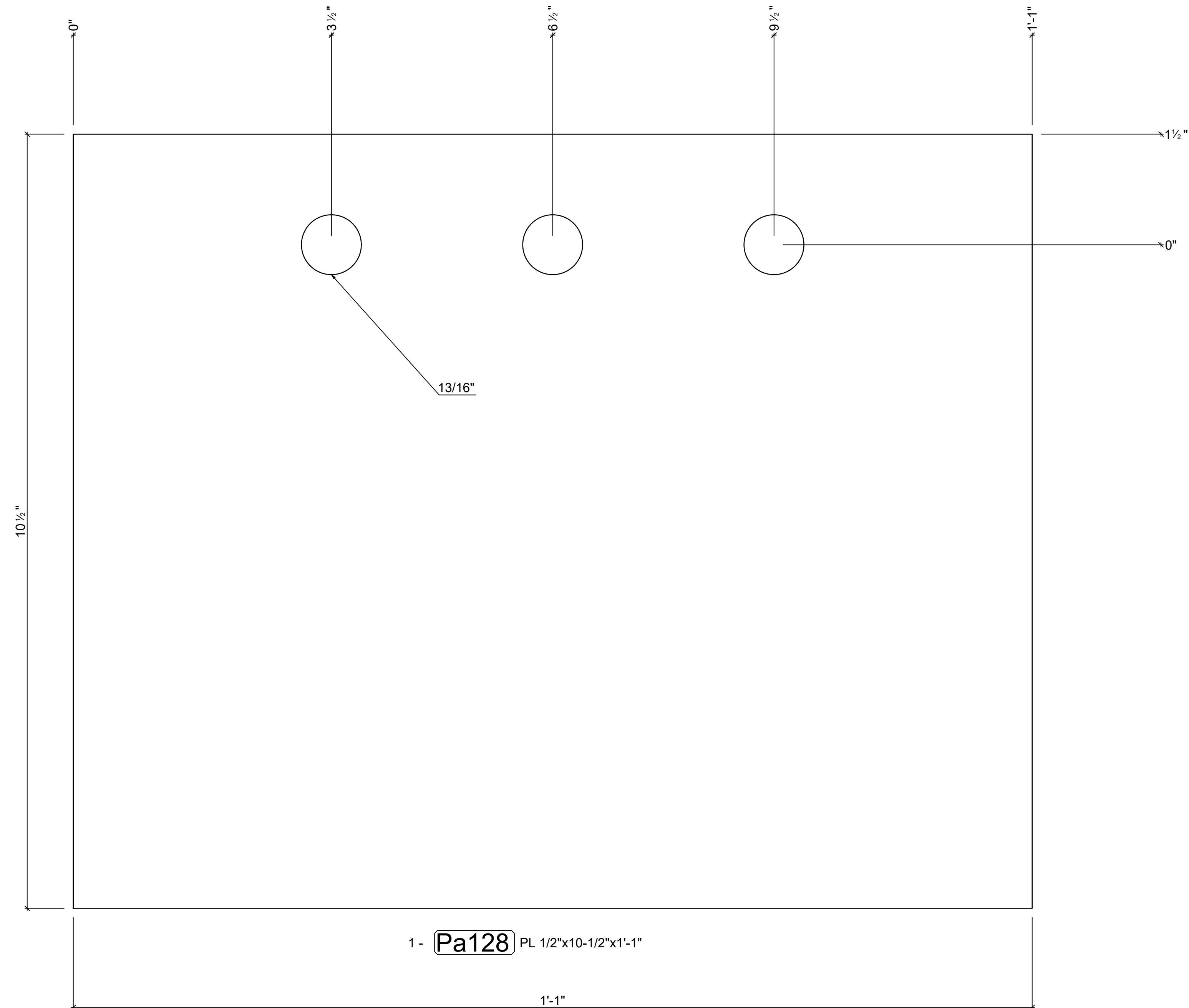
Mark	Quantity	Description	Length	Grade	Part weight	Total weight
Pa127	1					
Pa127	1	PL 1/2"x10-1/2"x1'-1"	1'-1"	A36	19.36	19.36
	1				19.36	19.36
	1				TOTAL:	19.36




REV.	Date	BY	Description
B	5/2/2023	MJW	REVISED FOR APPROVAL
C	6/6/2023	MJW	REVISED FOR APPROVAL

	STF IRON INC. 647 GALAXY WAY, MODESTO CA. 95356 TEL: (209) 874-6140 LICENSE #: 1088997		
	STEEL SCOPE: DAVIS CAR WASH PROJ. / CLIENT: STF IRON BUILDING:		
LOCATION: 480 MACE BLVD. DAVIS, CA		DATE: DATE STATUS: Not Set	
DRAWN BY: MJW	JOB NO:	SHEET NO: 127	REV: C
CHECKED BY: KW			

Mark	Quantity	Description	Length	Grade	Part weight	Total weight
Pa128	1					
Pa128	1	PL 1/2"x10-1/2"x1'-1"	1'-1"	A36	19.36	19.36
	1				19.36	19.36
	1				TOTAL:	19.36



REV.	Date	BY	Description
B	5/2/2023	MJW	REVISED FOR APPROVAL
C	6/6/2023	MJW	REVISED FOR APPROVAL

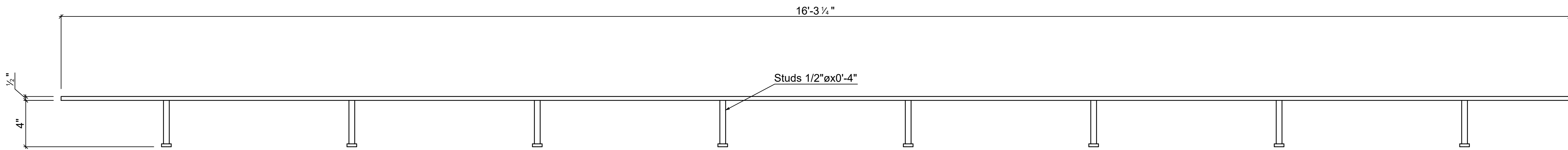
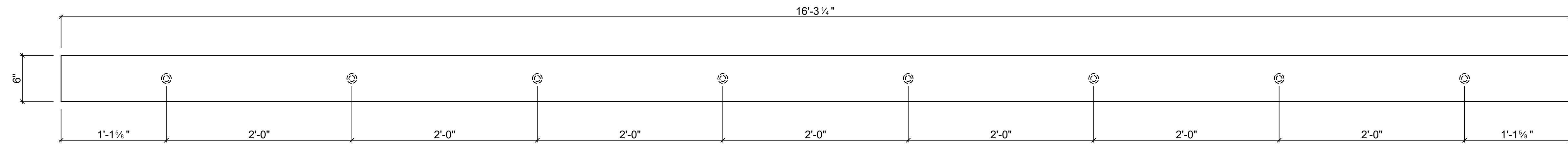


STF IRON INC.

647 GALAXY WAY, MODESTO CA. 95356
TEL: (209) 874-6140 LICENSE #: 1088997


STEEL SCOPE: DAVIS CAR WASH	
PROJ. / CLIENT: STF IRON	
BUILDING:	
LOCATION: 480 MACE BLVD. DAVIS, CA	
DATE:	DATE: STATUS: Not Set
DRAWN BY: MJW	JOB NO: SHEET NO: 128 REV: C
CHECKED BY: KW	

Mark	Quantity	Description	Length	Grade	Part weight	Total weight
Pa129	1					
Pa129	1	PL 1/2"x6"x16'-3 1/4"	16'-3 1/4"	A36	166.12	166.12
Internal1034	8	1/2" Nelson SSL-Inch	0'-4"	Mild Steel	0.84	6.68
	9				172.80	172.80
	9				TOTAL:	172.80

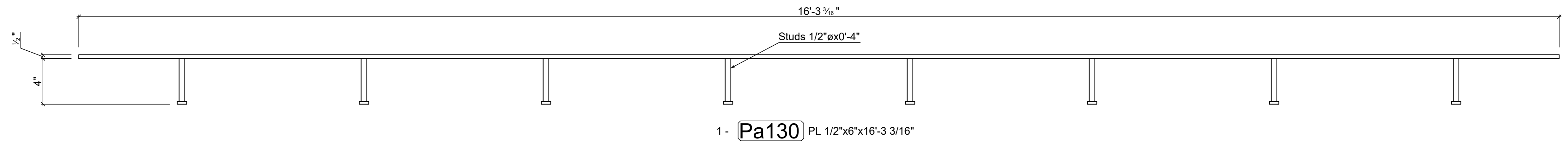
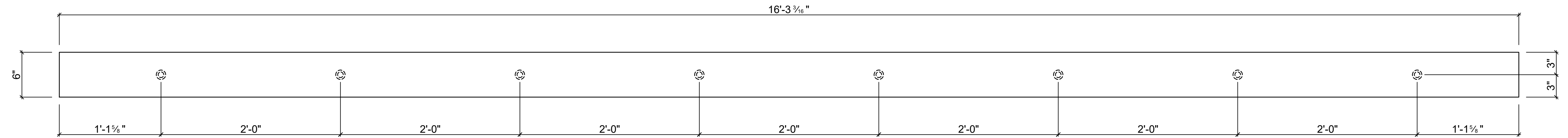


1 - Pa129 PL 1/2"x6"x16'-3 1/4"

REV.	Date	BY	Description
C	6/6/2023	MJW	REVISED FOR APPROVAL


	STF IRON INC. 647 GALAXY WAY, MODESTO CA. 95356 TEL: (209) 874-6140 LICENSE #: 1088997		
	STEEL SCOPE: DAVIS CAR WASH PROJ. / CLIENT: STF IRON BUILDING:		
LOCATION: 480 MCACE BLVD. DAVIS, CA		DATE: DATE STATUS: Not Set	
DRAWN BY: MJW	JOB NO:	SHEET NO: 129	REV: C
CHECKED BY: KW			

Mark	Quantity	Description	Length	Grade	Part weight	Total weight
Pa130	1					
Pa130	1	PL 1/2"x6"x16'-3 3/16"	16'-3 3/16"	A36	166.08	166.08
Internal	8	1/2" Nelson SSL-Inch	0'-4"	Mild Steel	0.84	6.56
	9				172.77	172.77
	9				TOTAL:	172.77

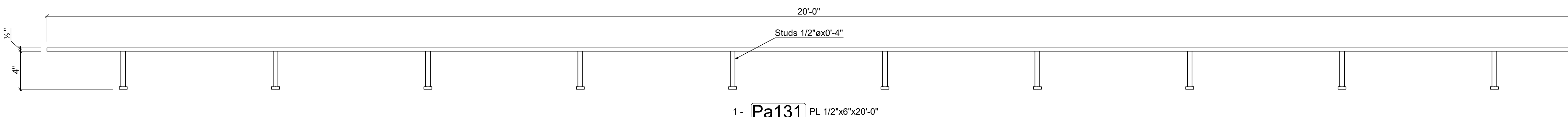
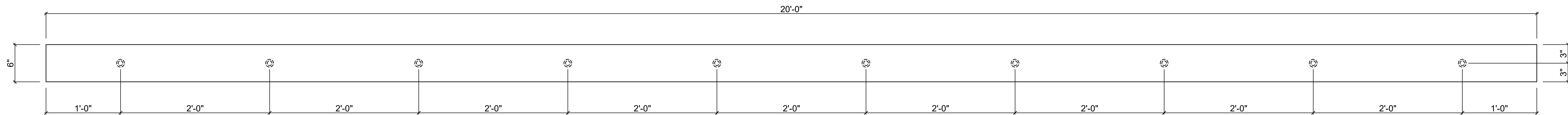


1 - **Pa130** PL 1/2"x6"x16'-3 3/16"

REV.	Date	BY	Description
C	6/6/2023	MJW	REVISED FOR APPROVAL


	STF IRON INC. 647 GALAXY WAY, MODESTO CA. 95356 TEL: (209) 874-6140 LICENSE #: 1088997		
	STEEL SCOPE: DAVIS CAR WASH PROJ. / CLIENT: STF IRON BUILDING:		
LOCATION: 480 MCACE BLVD. DAVIS, CA		DATE: DATE STATUS: Not Set	
DRAWN BY: MJW	JOB NO:	SHEET NO: 130	REV: C
CHECKED BY: KW			

Mark	Quantity	Description	Length	Grade	Part weight	Total weight
Pa131	1					
Pa131	1	PL 1/2"x6"x20'-0"	20'-0"	A36	204.19	204.19
Internal	10	1/2" Nelson S3L-Inch	0'-4"	Mild Steel	0.84	8.35
	11				212.54	212.54
	11				TOTAL:	212.54

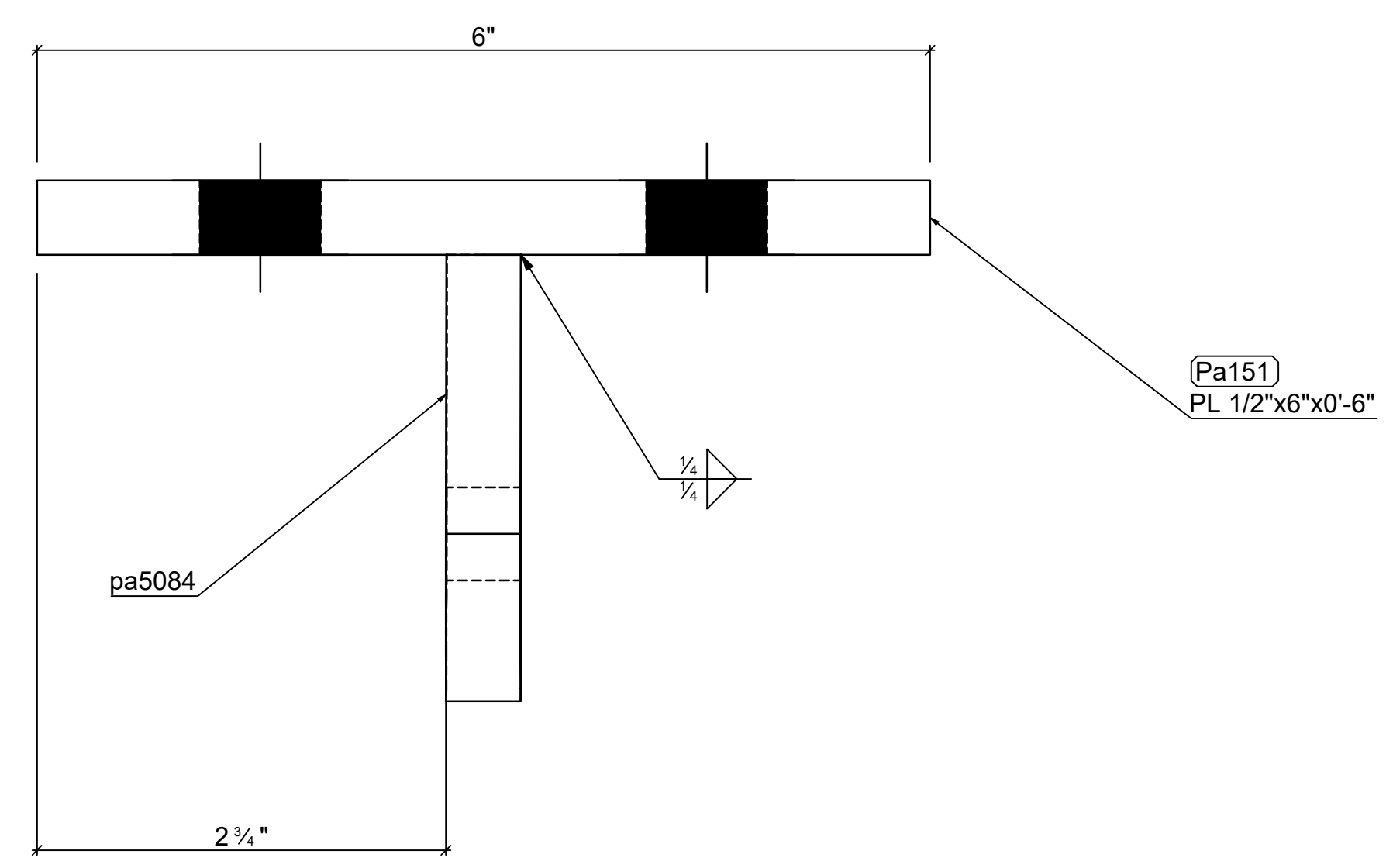
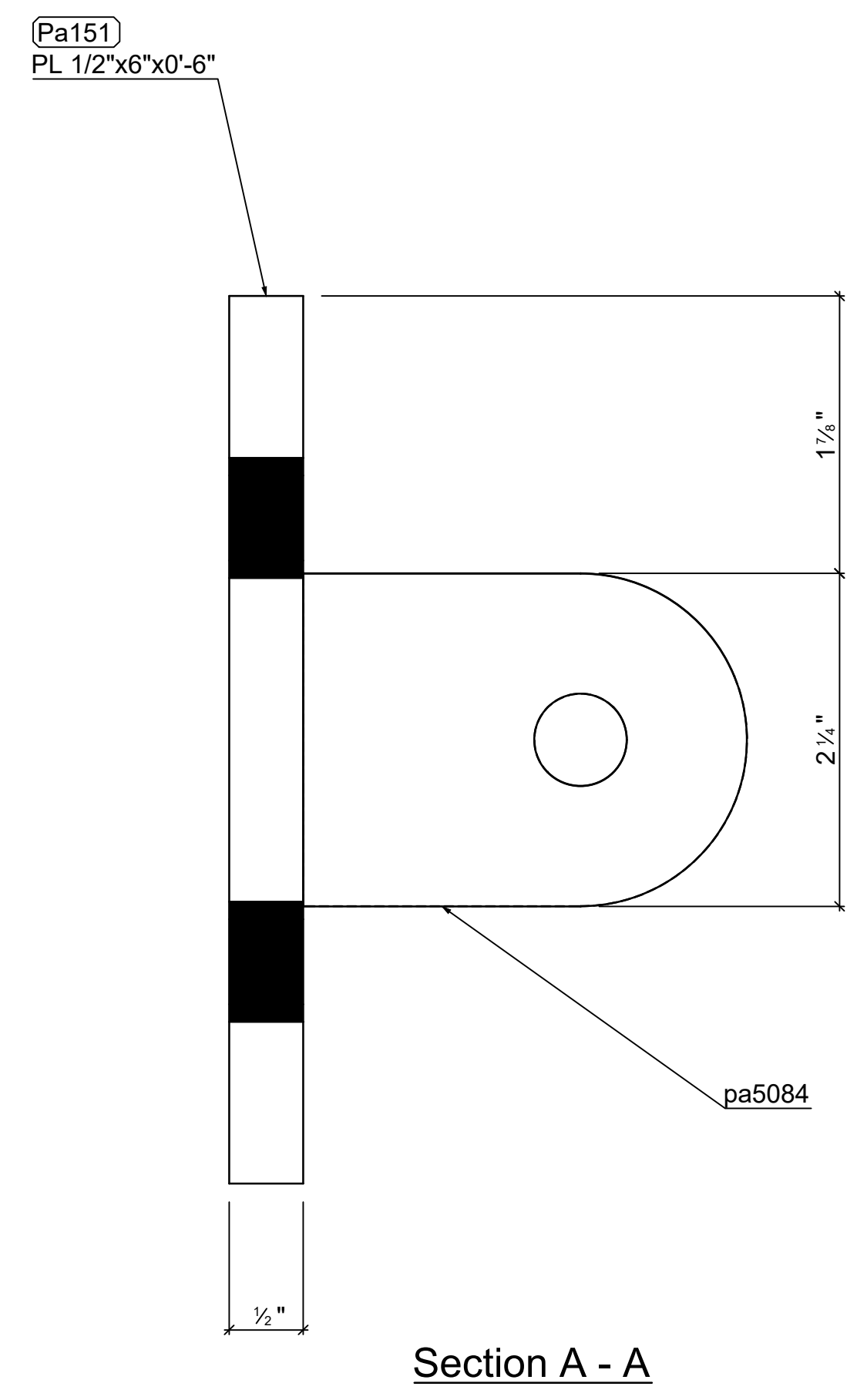
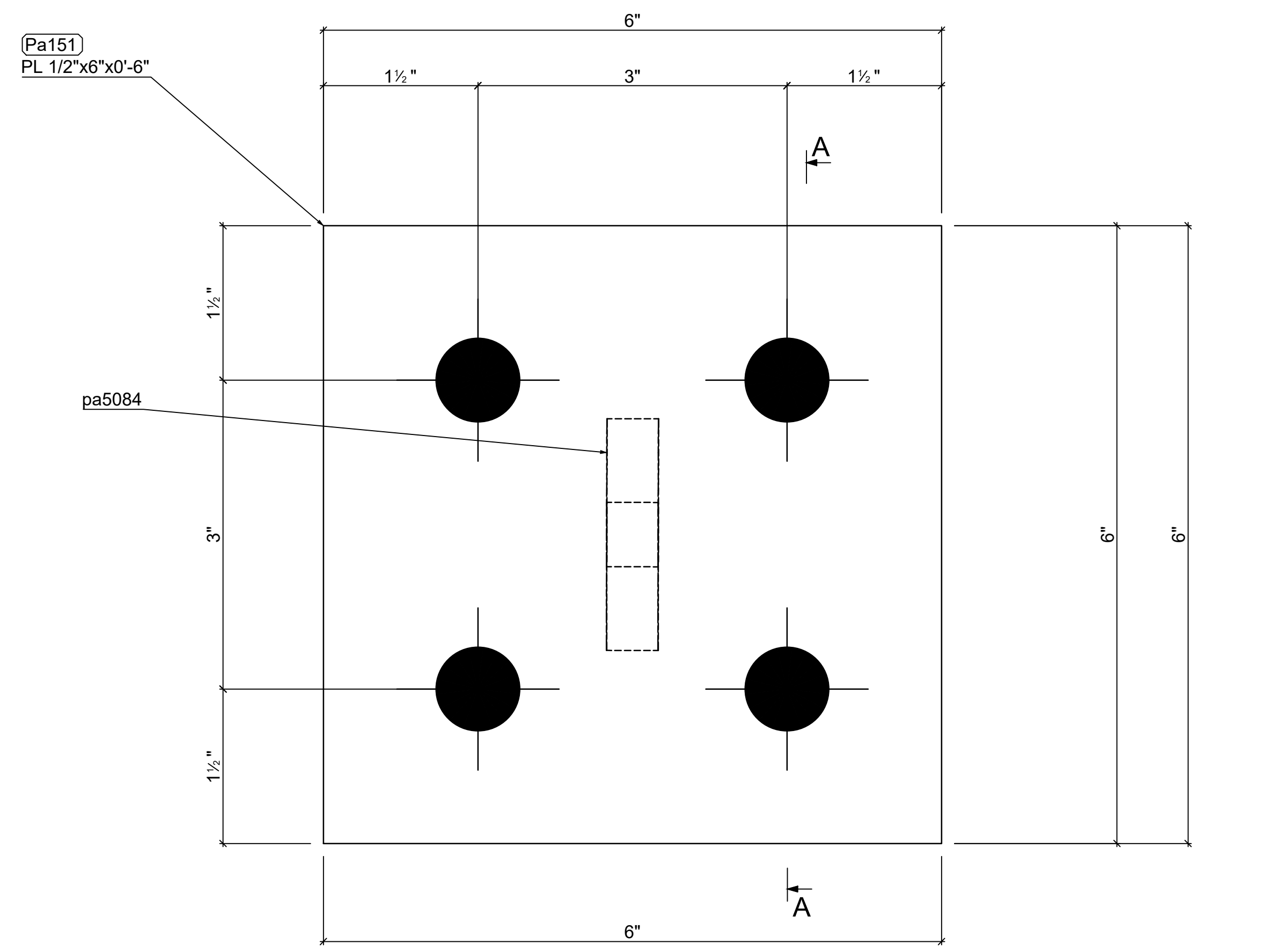


1 - Pa131 PL 1/2"x6"x20'-0"

REV.	Date	BY	Description
C	6/6/2023	MJW	REVISED FOR APPROVAL


	STF IRON INC. 647 GALAXY WAY, MODESTO CA. 95356 TEL: (209) 874-6140 LICENSE #: 1088997		
	STEEL SCOPE: DAVIS CAR WASH PROJ. / CLIENT: STF IRON BUILDING:		
LOCATION: 480 MCACE BLVD. DAVIS, CA		DATE: DATE STATUS: Not Set	
DRAWN BY: MJW	JOB NO:	SHEET NO: 131	REV: C
CHECKED BY: KW			

Mark	Quantity	Description	Length	Grade	Part weight	Total weight
Pa151	28					
Pa151	28	PL 1/2"x6"x0'-6"	0'-6"	A36	5.10	142.93
pa5084	28	PL 1/2"x2-1/4"x0'-3"	0'-3"	A36	0.87	24.44
	56				5.98	167.38
					TOTAL:	167.38



28 - Pa151 PL 1/2"x6"x0'-6"

REV.	Date	BY	Description
A	3/29/2023	MJW	ISSUED FOR APPROVAL
B	4/20/2023	MJW	REVISED FOR APPROVAL
C	6/6/2023	MJW	REVISED FOR APPROVAL



STF IRON INC.

647 GALAXY WAY, MODESTO CA. 95356
 TEL: (209) 874-6140 LICENSE #: 1088997

STEEL SCOPE: DAVIS CAR WASH

PROJ. / CLIENT: STF IRON

BUILDING:

LOCATION: 480 MACE BLVD. DAVIS, CA

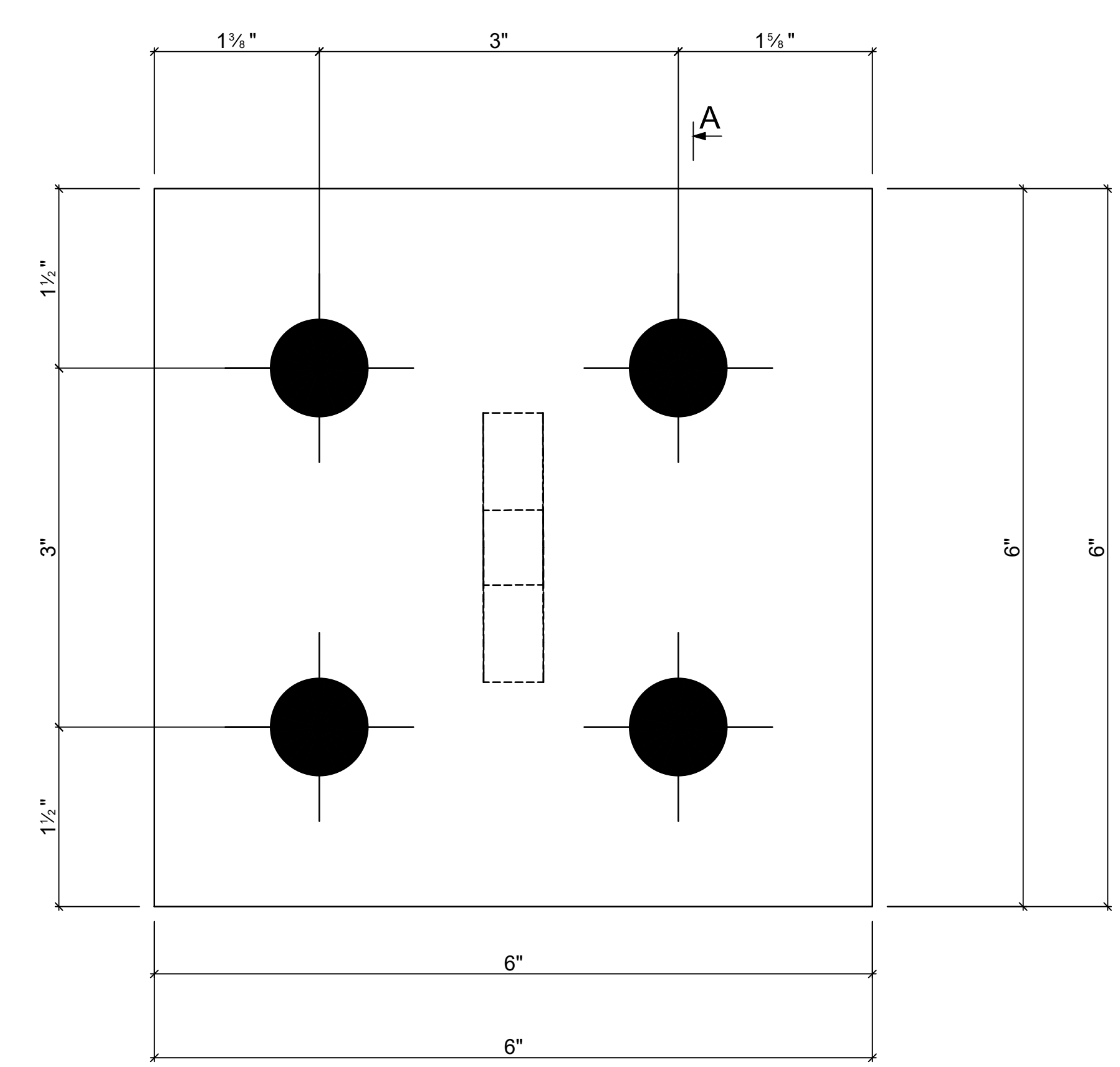
DATE: DATE STATUS: Not Set

DRAWN BY: MJW JOB NO: SHEET NO: 151 REV: C

CHECKED BY: KW

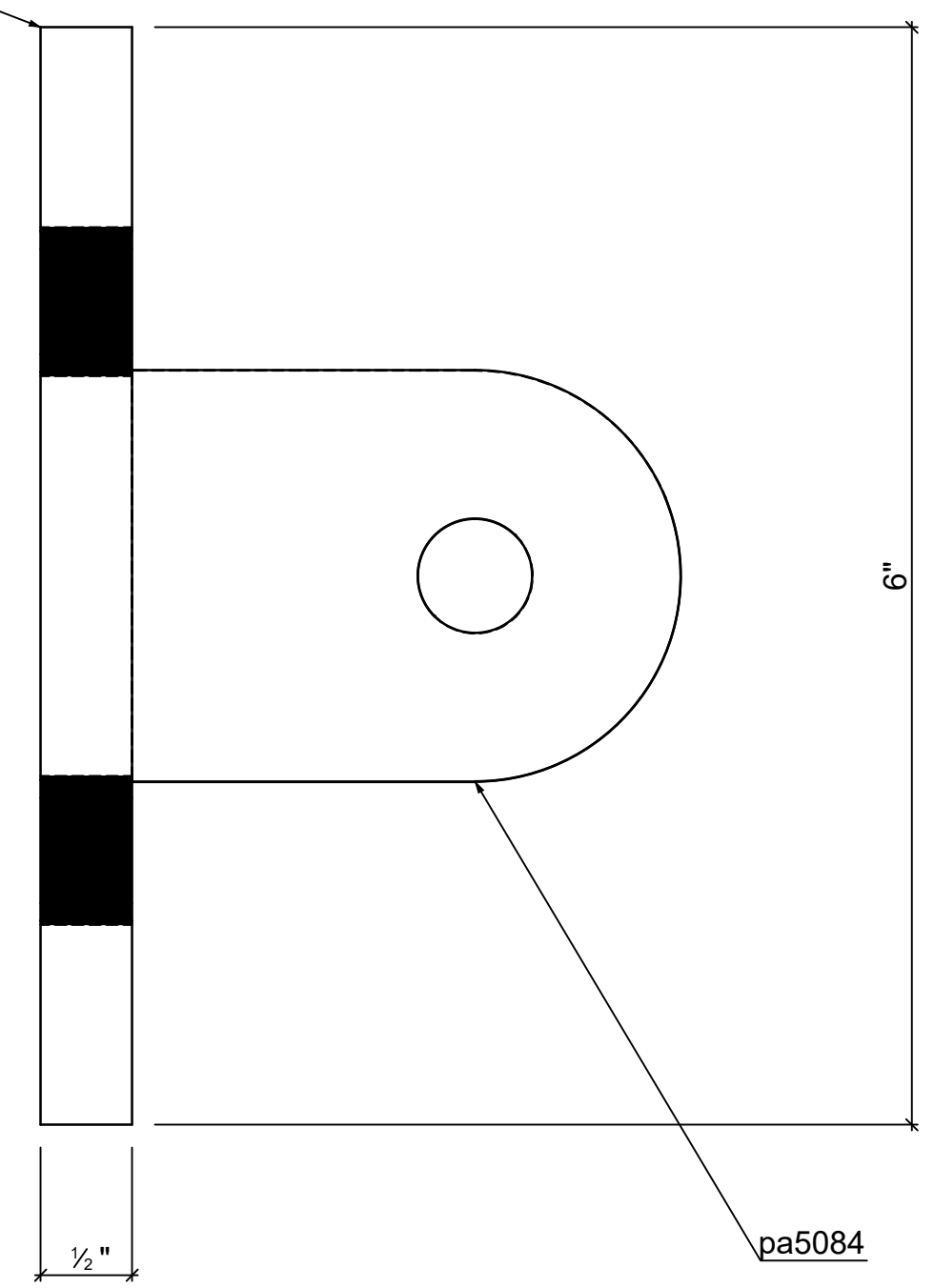
Quantity	Description	Length
112	3/4" HILTI HY 150 HIT-T2	0'-5 1/4"

Mark	Quantity	Description	Length	Grade	Part weight	Total weight
Pa152	5					
Pa152	5	PL 1/2"x6"x0'-6"	0'-6"	A36	5.10	25.52
pa5084	5	PL 1/2"x2-1/4"x0'-3"	0'-3"	A36	0.87	4.36
	10				5.98	29.89
	10				TOTAL:	29.89

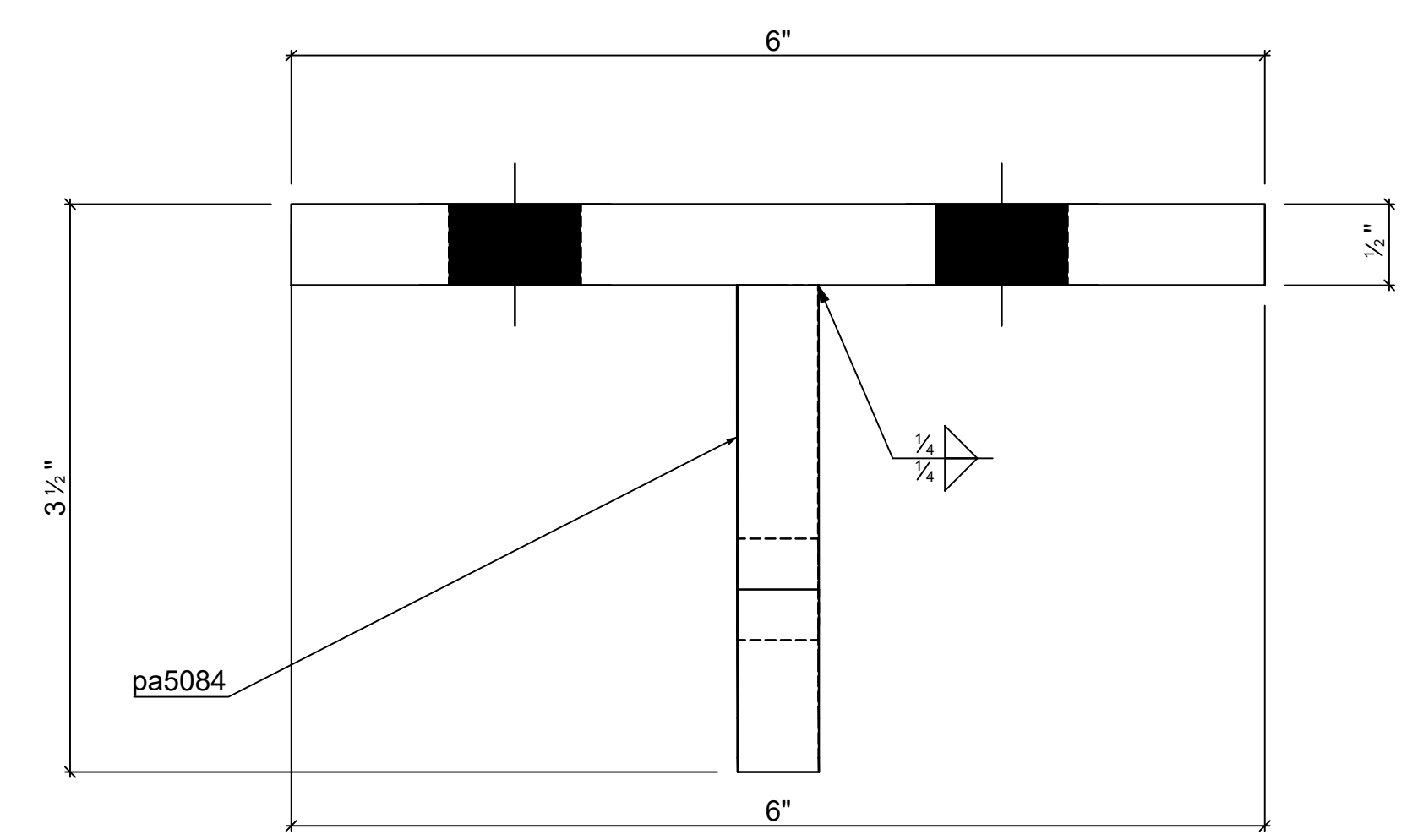


5 - Pa152 PL 1/2"x6"x0'-6" A

Pa152
PL 1/2"x6"x0'-6"



Section A - A



REV.	Date	BY	Description
A	3/29/2023	MJW	ISSUED FOR APPROVAL
B	4/20/2023	MJW	REVISED FOR APPROVAL
C	6/6/2023	MJW	REVISED FOR APPROVAL

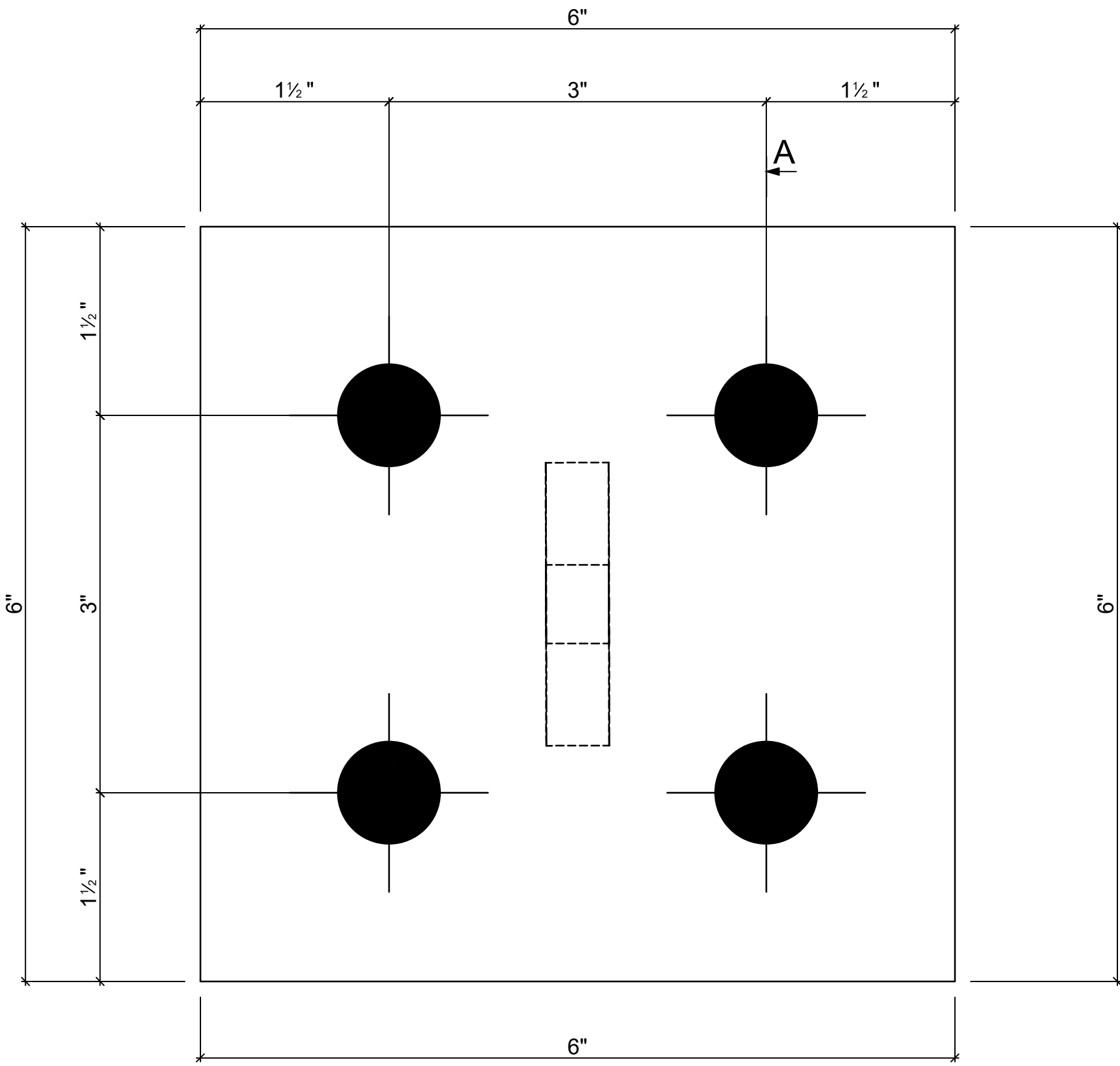
STF IRON INC.

647 GALAXY WAY, MODESTO CA. 95356
TEL: (209) 874-6140 LICENSE #: 1088997

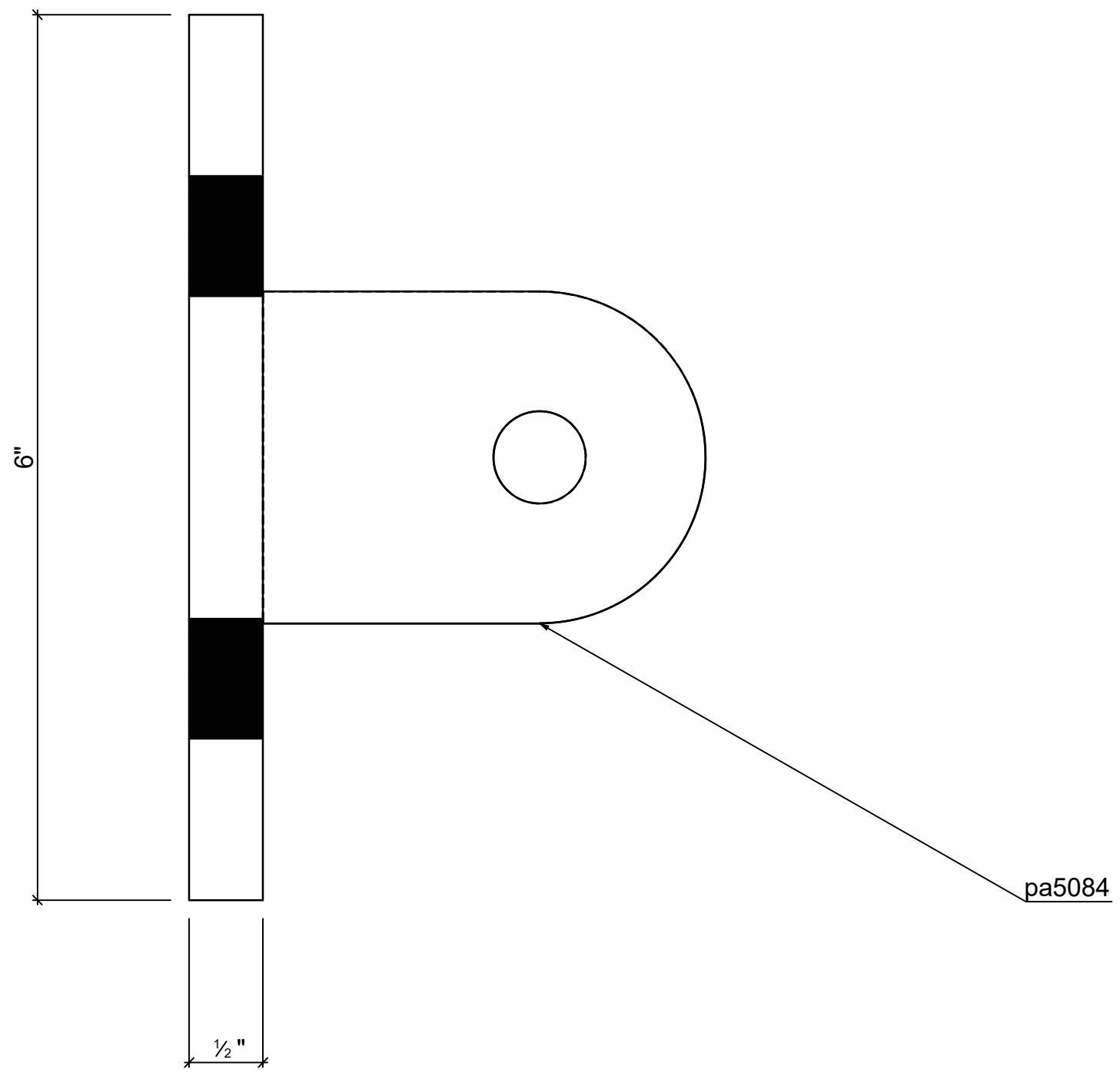
STEEL SCOPE: DAVIS CAR WASH	
PROJ. / CLIENT: STF IRON	
BUILDING:	
LOCATION: 480 MACE BLVD. DAVIS, CA	
DATE: DATE	STATUS: Not Set
DRAWN BY: MJW	JOB NO: SHEET NO: 152
CHECKED BY: KW	REV: C

Quantity	Description	Length
20	3/4"φ HILTI HY 150 HIT-T2	0'-5 1/4"

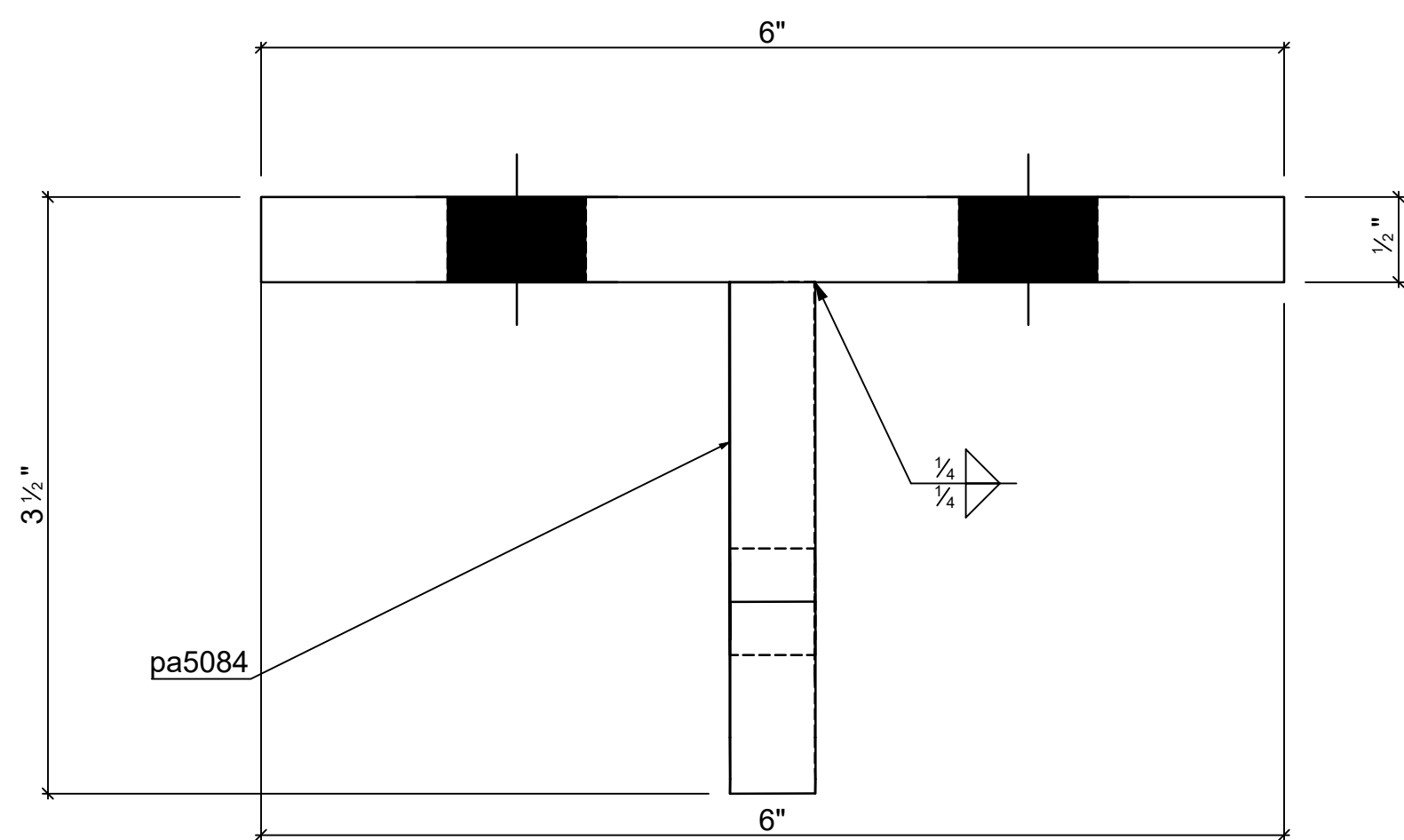
Mark	Quantity	Description	Length	Grade	Part weight	Total weight
Pa153	1					
Pa153	1	PL 1/2"x6"x0'-6"	0'-6"	A36	5.10	5.10
pa5084	1	PL 1/2"x2-1/4"x0'-3"	0'-3"	A36	0.87	0.87
	2				5.98	5.98
	2				TOTAL:	5.98



1 - Pa153 PL 1/2"x6"x0'-6"



Section A - A



REV.	Date	BY	Description
A	3/29/2023	MJW	ISSUED FOR APPROVAL
B	4/20/2023	MJW	REVISED FOR APPROVAL
C	6/6/2023	MJW	REVISED FOR APPROVAL

STF IRON INC.

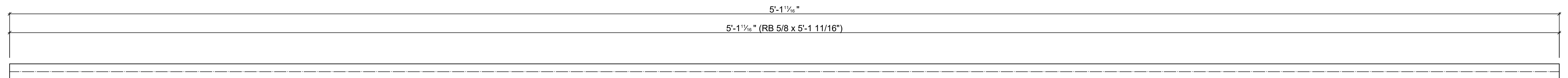
647 GALAXY WAY, MODESTO CA. 95356

TEL: (209) 874-6140 LICENSE #: 1088997

STEEL SCOPE: DAVIS CAR WASH	
PROJ. / CLIENT: STF IRON	
BUILDING:	
LOCATION: 480 MACE BLVD. DAVIS, CA	
DATE: DATE	STATUS: Not Set
DRAWN BY: MJW	JOB NO:
CHECKED BY: KW	SHEET NO: 153
	REV: C

Quantity	Description	Length
4	3/4" HILTI HY 150 HIT-T2	0'-5 1/4"


Mark	Quantity	Description	Length	Grade	Part weight	Total weight
Ba154	4					
Ba154	4	RB 5/8	5'-1 11/16"	A36	5.37	21.48
	4				5.37	21.48
	4				TOTAL:	21.48



RD

4 - **Ba154** RB 5/8
 d= 5/8" b= 5/8" t= w= k=
 Grid reference

REV.	Date	BY	Description
A	3/29/2023	MJW	ISSUED FOR APPROVAL
B	4/20/2023	MJW	REVISED FOR APPROVAL
C	6/6/2023	MJW	REVISED FOR APPROVAL



STF IRON INC.

647 GALAXY WAY, MODESTO CA. 95356
 TEL: (209) 874-6140 LICENSE #: 1088997

STEEL SCOPE: DAVIS CAR WASH

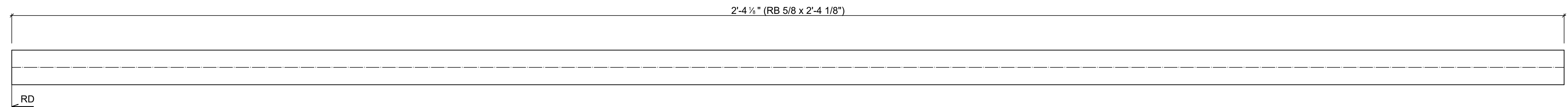
PROJ. / CLIENT: STF IRON

BUILDING:

LOCATION: 480 MACE BLVD. DAVIS, CA

DATE: DATE	STATUS: Not Set
DRAWN BY: MJW	JOB NO:
CHECKED BY: KW	SHEET NO: 154
	REV: C

Mark	Quantity	Description	Length	Grade	Part weight	Total weight
Ba155	18					
Ba155	18	RB 5/8	2'-4 1/8"	A36	2.45	44.08
	18				2.45	44.08
	18				TOTAL:	44.08




18 - **Ba155** RB 5/8

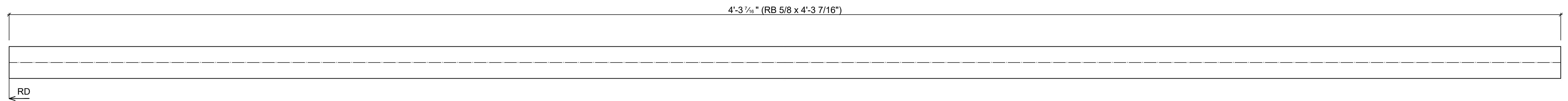
d= 5/8" b= 5/8" t= w= k=

Grid reference

REV.	Date	BY	Description
A	3/29/2023	MJW	ISSUED FOR APPROVAL
B	4/20/2023	MJW	REVISED FOR APPROVAL
C	6/6/2023	MJW	REVISED FOR APPROVAL


	STF IRON INC. 647 GALAXY WAY, MODESTO CA. 95356 TEL: (209) 874-6140 LICENSE #: 1088997		
	STEEL SCOPE: DAVIS CAR WASH PROJ. / CLIENT: STF IRON BUILDING:		
LOCATION: 480 MACE BLVD. DAVIS, CA		DATE: DATE STATUS: Not Set	
DRAWN BY: MJW	JOB NO:	SHEET NO: 155	REV: C
CHECKED BY: KW			

Mark	Quantity	Description	Length	Grade	Part weight	Total weight
Ba156	8					
Ba156	8	RB 5/8	4'-3 7/16"	A36	4.48	35.81
	8				4.48	35.81
	8				TOTAL:	35.81

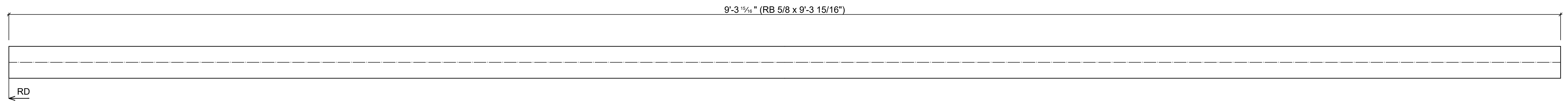


8 - **Ba156** RB 5/8
 d= 5/8" b= 5/8" t= w= k=
 Grid reference

REV.	Date	BY	Description
A	3/29/2023	MJW	ISSUED FOR APPROVAL
B	4/20/2023	MJW	REVISED FOR APPROVAL
C	6/6/2023	MJW	REVISED FOR APPROVAL


	<h1>STF IRON INC.</h1>	
	647 GALAXY WAY, MODESTO CA. 95356 TEL: (209) 874-6140 LICENSE #: 1088997	
STEEL SCOPE: DAVIS CAR WASH		
PROJ. / CLIENT: STF IRON		
BUILDING:		
LOCATION: 480 MACE BLVD. DAVIS, CA		
DATE:	DATE	STATUS: Not Set
DRAWN BY: MJW	JOB NO:	SHEET NO: 156
CHECKED BY: KW		REV: C

Mark	Quantity	Description	Length	Grade	Part weight	Total weight
Ba157	4					
Ba157	4	RB 5/8	9'-3 15/16"	A36	9.74	38.96
	4				9.74	38.96
	4				TOTAL:	38.96

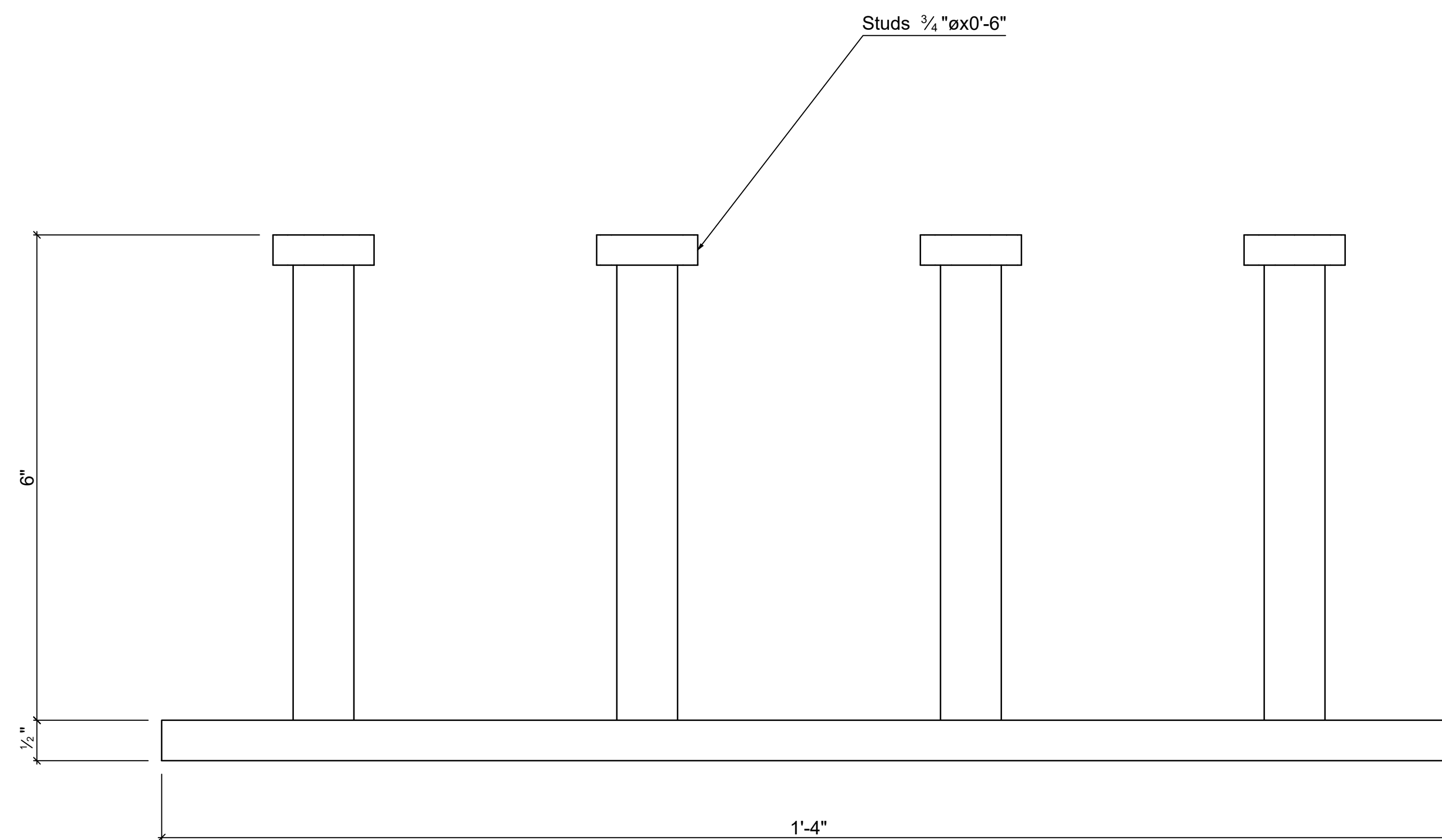
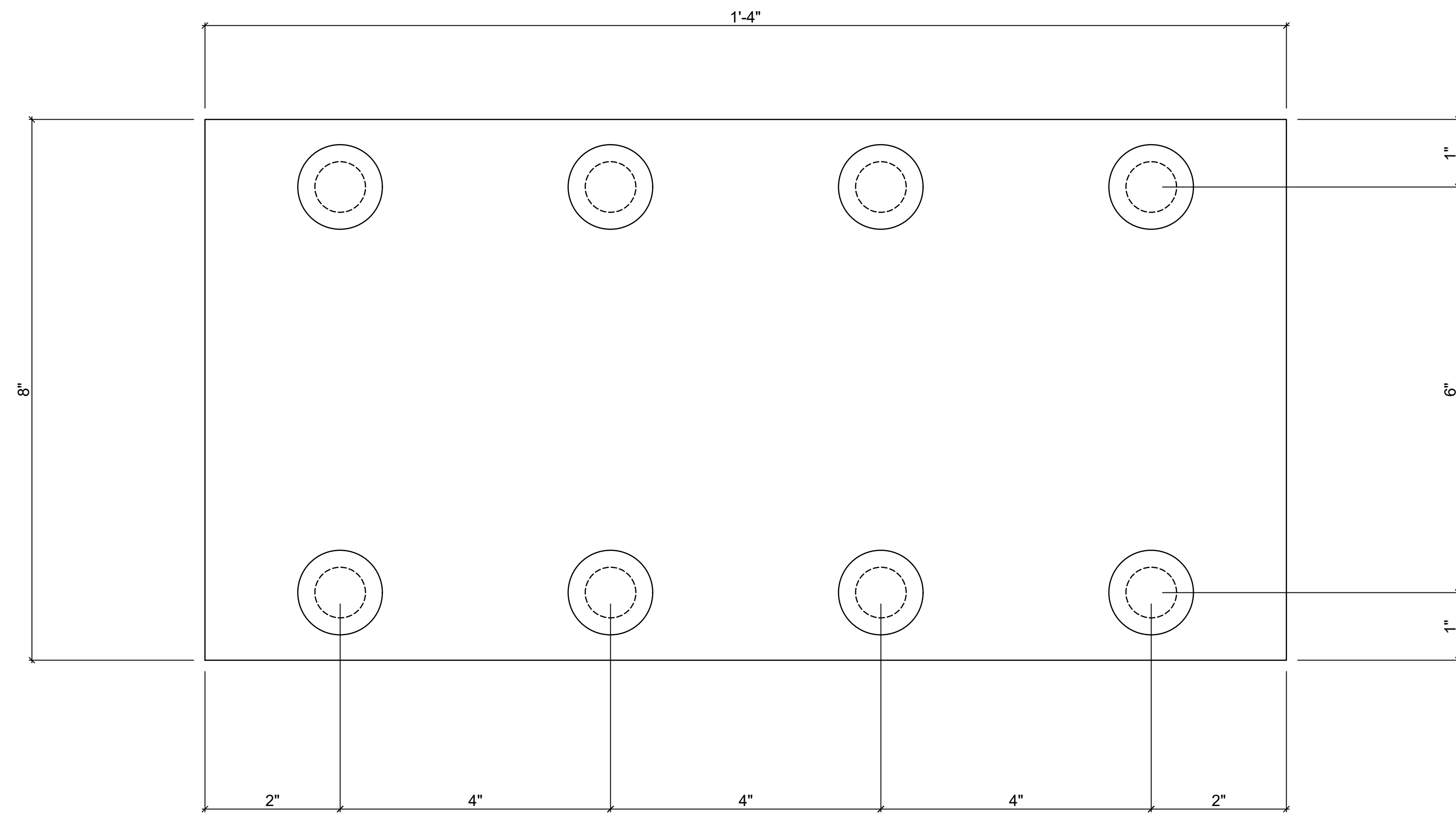


4 - **Ba157** RB 5/8
 d= 5/8" b= 5/8" t= w= k=
 Grid reference

REV.	Date	BY	Description
A	3/29/2023	MJW	ISSUED FOR APPROVAL
B	4/20/2023	MJW	REVISED FOR APPROVAL
C	6/6/2023	MJW	REVISED FOR APPROVAL


	STF IRON INC. 647 GALAXY WAY, MODESTO CA. 95356 TEL: (209) 874-6140 LICENSE #: 1088997		
	STEEL SCOPE: DAVIS CAR WASH PROJ. / CLIENT: STF IRON BUILDING:		
LOCATION: 480 MACE BLVD. DAVIS, CA		DATE: DATE STATUS: Not Set	
DRAWN BY: MJW	JOB NO:	SHEET NO: 157	REV: C
CHECKED BY: KW			

Mark	Quantity	Description	Length	Grade	Part weight	Total weight
P158	4					
P158	4	PL 1/2"x8"x1'-4"	1'-4"	A36	18.15	72.60
#Internal5028	32	3/4" Nelson S3L-Inch	0'-6"	Mild Steel	0.84	26.73
	36				24.83	99.33
					TOTAL:	99.33



4 - **P158** PL 1/2"x8"x1'-4"

REV.	Date	BY	Description
C	6/6/2023	MJW	REVISED FOR APPROVAL



STF IRON INC.
647 GALAXY WAY, MODESTO CA. 95356
TEL: (209) 874-6140 LICENSE #: 1088997

STEEL SCOPE: DAVIS CAR WASH

PROJ. / CLIENT: STF IRON

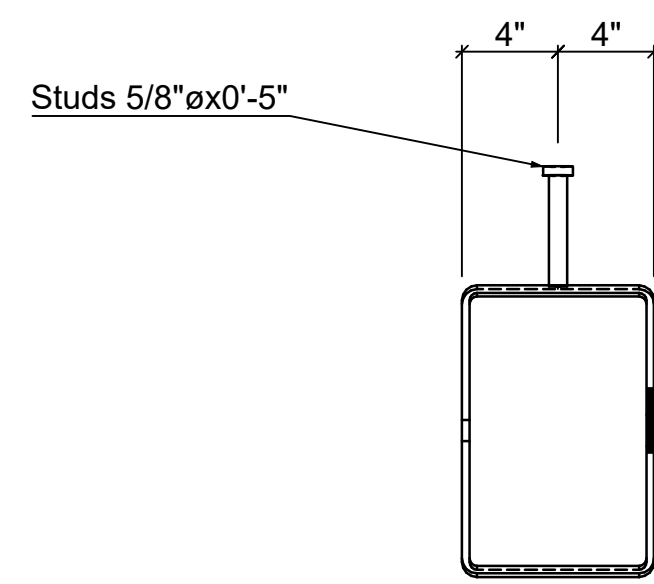
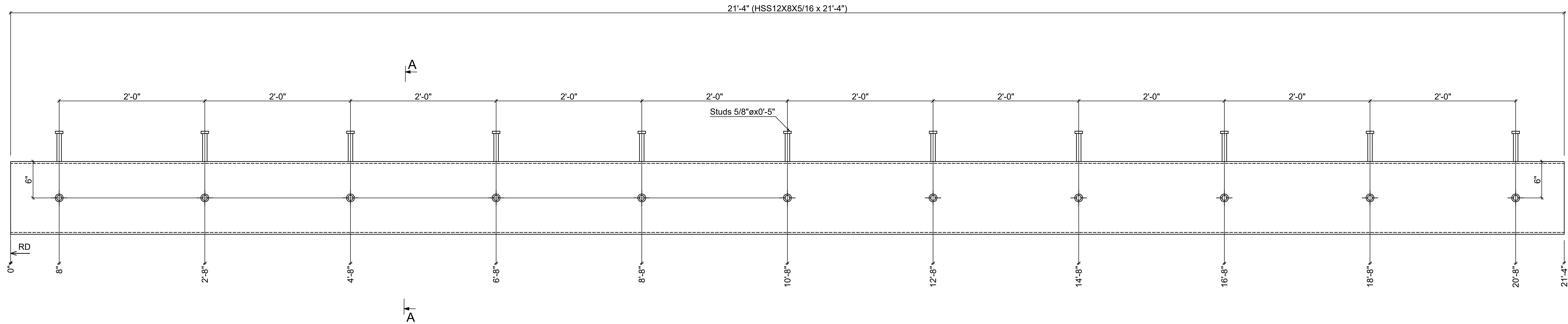
BUILDING:

LOCATION: 480 MACE BLVD. DAVIS, CA

DATE: DATE STATUS: Not Set

DRAWN BY: MJW	JOB NO:	SHEET NO: 158	REV: C
CHECKED BY: KW			

Mark	Quantity	Description	Length	Grade	Part weight	Total weight
Ba200	2			Hot Dip Galvanised 85 mic.		
Ba200	2	HSS12X8X5/16	21'-4"	A500 GR. C	860.80	1721.60
-	22	3/4" Nelson S3L-Inch	0'-5"	Mild Steel	0.71	15.62
	24				868.61	1737.22
	24				TOTAL:	1737.22



Section A - A


2 - **Ba200** HSS12X8X5/16

d=1" b=8" t= 5/16" w= 5/16" k=

Grid reference

Quantity	Description	Length
11	3/4" US Flanged Anchors	1'-2"
11	3/4" US J-Round Anchors	1'-2"

REV.	Date	BY	Description
A	3/29/2023	MJW	ISSUED FOR APPROVAL
B	4/20/2023	MJW	REVISED FOR APPROVAL
C	6/6/2023	MJW	REVISED FOR APPROVAL



STF IRON INC.

647 GALAXY WAY, MODESTO CA. 95356
TEL: (209) 874-6140 LICENSE #: 1088997

STEEL SCOPE: DAVIS CAR WASH

PROJ. / CLIENT: STF IRON

BUILDING:

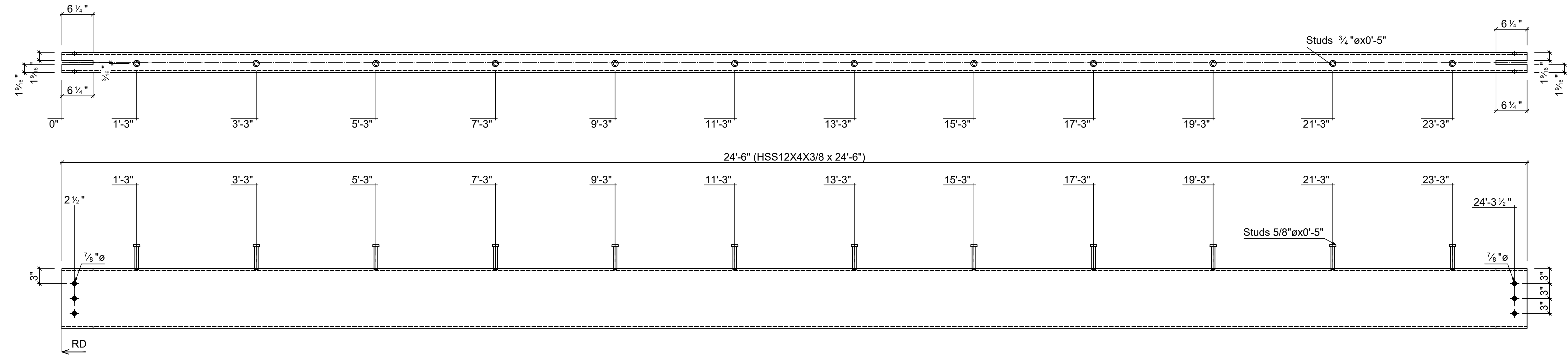
LOCATION: 480 MACE BLVD. DAVIS, CA

DATE: DATE STATUS: Not Set

DRAWN BY: MJW JOB NO: SHEET NO: 200 REV: C

CHECKED BY: KW

Mark	Quantity	Description	Length	Grade	Part weight	Total weight	
Ba201	1	Hot Dip Galvanised 85 mic.					
Ba201	1	HSS12X4X3/8	24'-6"	A500 GR C	923.41	923.41	
-	12	3/4" Nelson S3L-Inch	0'-5"	Mild Steel	0.71	8.52	
	13				931.92	931.92	
					TOTAL:	931.92	



1 - **Ba201** HSS12X4X3/8
 d=1" b=4" t= 3/8" w= 3/8" k=
 Grid reference

REV.	Date	BY	Description
A	3/29/2023	MJW	ISSUED FOR APPROVAL
B	4/20/2023	MJW	REVISED FOR APPROVAL
C	6/6/2023	MJW	REVISED FOR APPROVAL

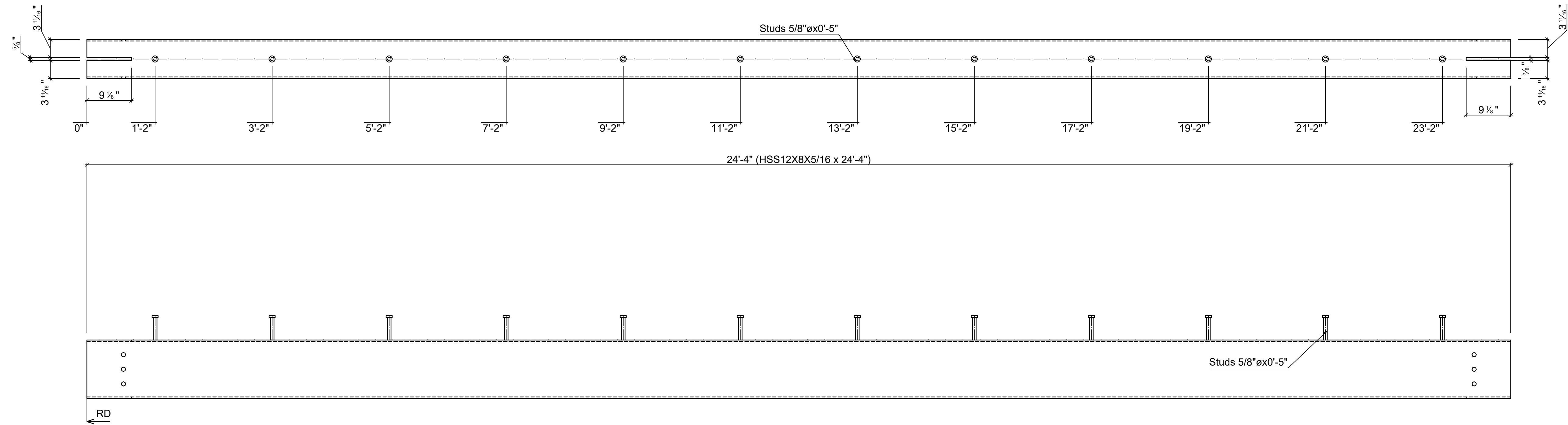
STF IRON INC.

647 GALAXY WAY, MODESTO CA. 95356
 TEL: (209) 874-6140 LICENSE #: 1088997

STEEL SCOPE: DAVIS CAR WASH	
PROJ. / CLIENT: STF IRON	
BUILDING:	
LOCATION: 480 MACE BLVD. DAVIS, CA	
DATE: DATE	STATUS: Not Set
DRAWN BY: MJW	JOB NO: SHEET NO: 201
CHECKED BY: KW	REV: C


Quantity	Description	Length

Mark	Quantity	Description	Length	Grade	Part weight	Total weight
Ba202	1			Hot Dip Galvanized 85 mic.		
Ba202	1	HSS12X8X5/16	24'-4"	A500 GR C	981.85	981.85
	12	3/4" Nelson SSJ 1/2inch	0'-5"	Mild Steel	0.71	8.52
	13				990.37	990.37
					TOTAL:	990.37



1 - **Ba202** HSS12X8X5/16
 Grid reference
 d=1" b=8" t= 5/16" W= 9/16" k=

REV.	Date	BY	Description
A	3/29/2023	MJW	ISSUED FOR APPROVAL
B	4/20/2023	MJW	REVISED FOR APPROVAL
C	6/6/2023	MJW	REVISED FOR APPROVAL



STF IRON INC.

647 GALAXY WAY, MODESTO CA. 95356
 TEL: (209) 874-6140 LICENSE #: 1088997

STEEL SCOPE: DAVIS CAR WASH

PROJ. / CLIENT: STF IRON

BUILDING:

LOCATION: 480 MACE BLVD. DAVIS, CA

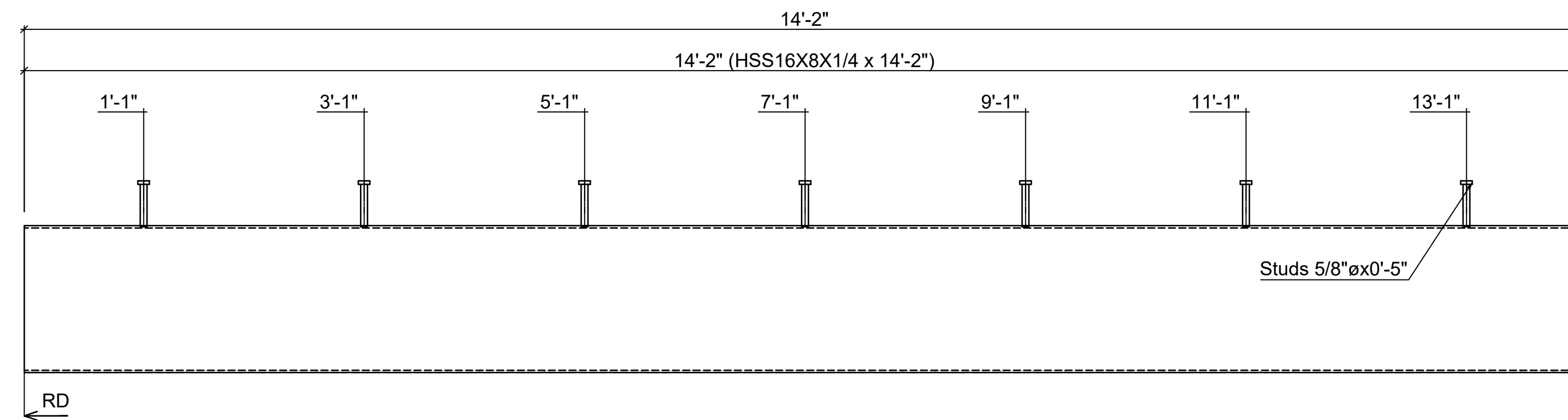
DATE: DATE STATUS: Not Set

DRAWN BY: MJW JOB NO: SHEET NO: 202 REV: C

CHECKED BY: KW


Quantity	Description	Length
6	3/4" A325	0'-9 1/4"

Mark	Quantity	Description	Length	Grade	Part weight	Total weight
Ba203	1			Painted		
Ba203	1	HSS16X8X1/4	14'-2"	A500 GR. C	558.59	558.59
-	7	3/4"Ø Nelson S3L-Inch	0'-5"	Mild Steel	0.71	4.97
	8				563.56	563.56
	8				TOTAL:	563.56

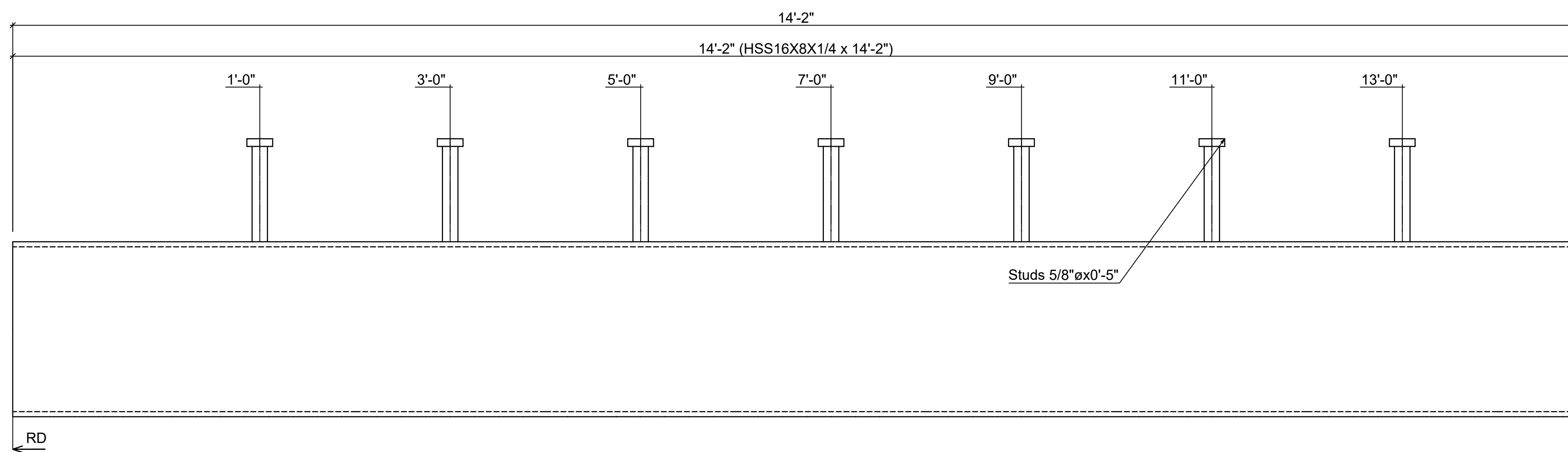


1 - **Ba203** HSS16X8X1/4
 d=1'-4" b=8" t= 1/4" w= 1/4" k=
 Grid reference

REV.	Date	BY	Description
A	3/29/2023	MJW	ISSUED FOR APPROVAL
B	4/20/2023	MJW	REVISED FOR APPROVAL
C	6/6/2023	MJW	REVISED FOR APPROVAL

	<h1>STF IRON INC.</h1>		
	647 GALAXY WAY, MODESTO CA. 95356 TEL: (209) 874-6140 LICENSE #: 1088997		
STEEL SCOPE: DAVIS CAR WASH			
PROJ. / CLIENT: STF IRON			
BUILDING:			
LOCATION: 480 MACE BLVD. DAVIS, CA			
DATE:	DATE	STATUS: Not Set	
DRAWN BY:	MJW	JOB NO:	SHEET NO: 203
CHECKED BY:	KW		REV: C

Mark	Quantity	Description	Length	Grade	Part weight	Total weight	
Ba204	1	Hot Dip Galvanised 85 mic.					
Ba204	1	HSS16X8X1/4	14'-2"	A500 GR.C	558.59	558.59	
-	7	3/4" Nelson S3L-Inch	0'-5"	Mild Steel	0.71	4.97	
	8				563.56	563.56	
	8				TOTAL:	563.56	



1 - **Ba204** HSS16X8X1/4
 d=1'-4" b=8" t= 1/4" w= 1/4" k=
 Grid reference

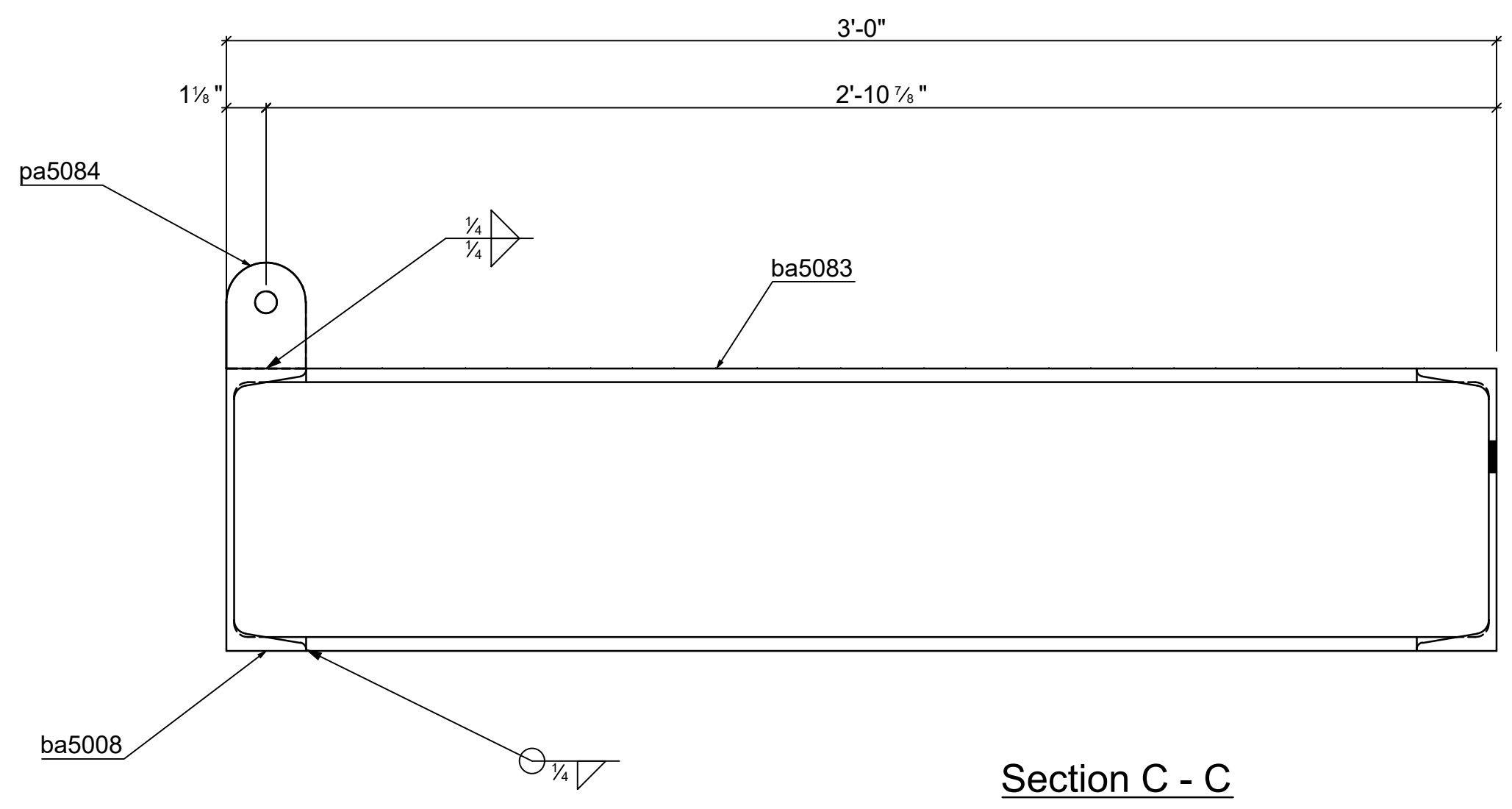
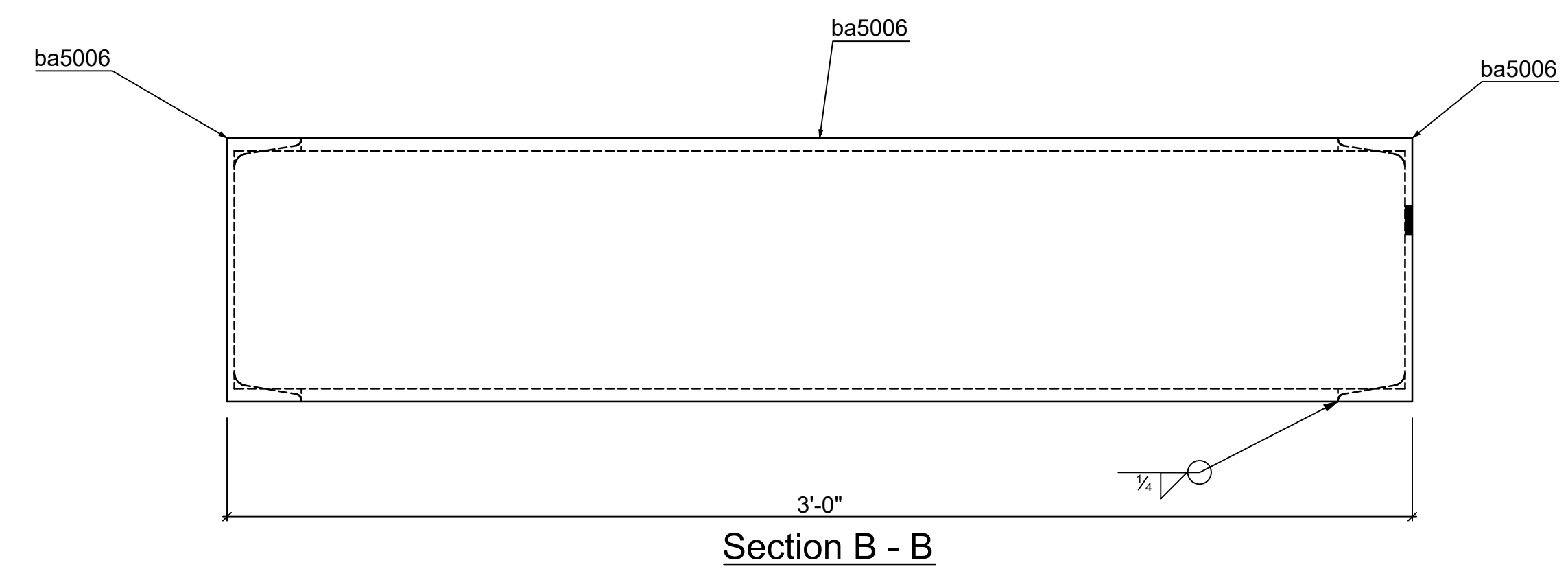
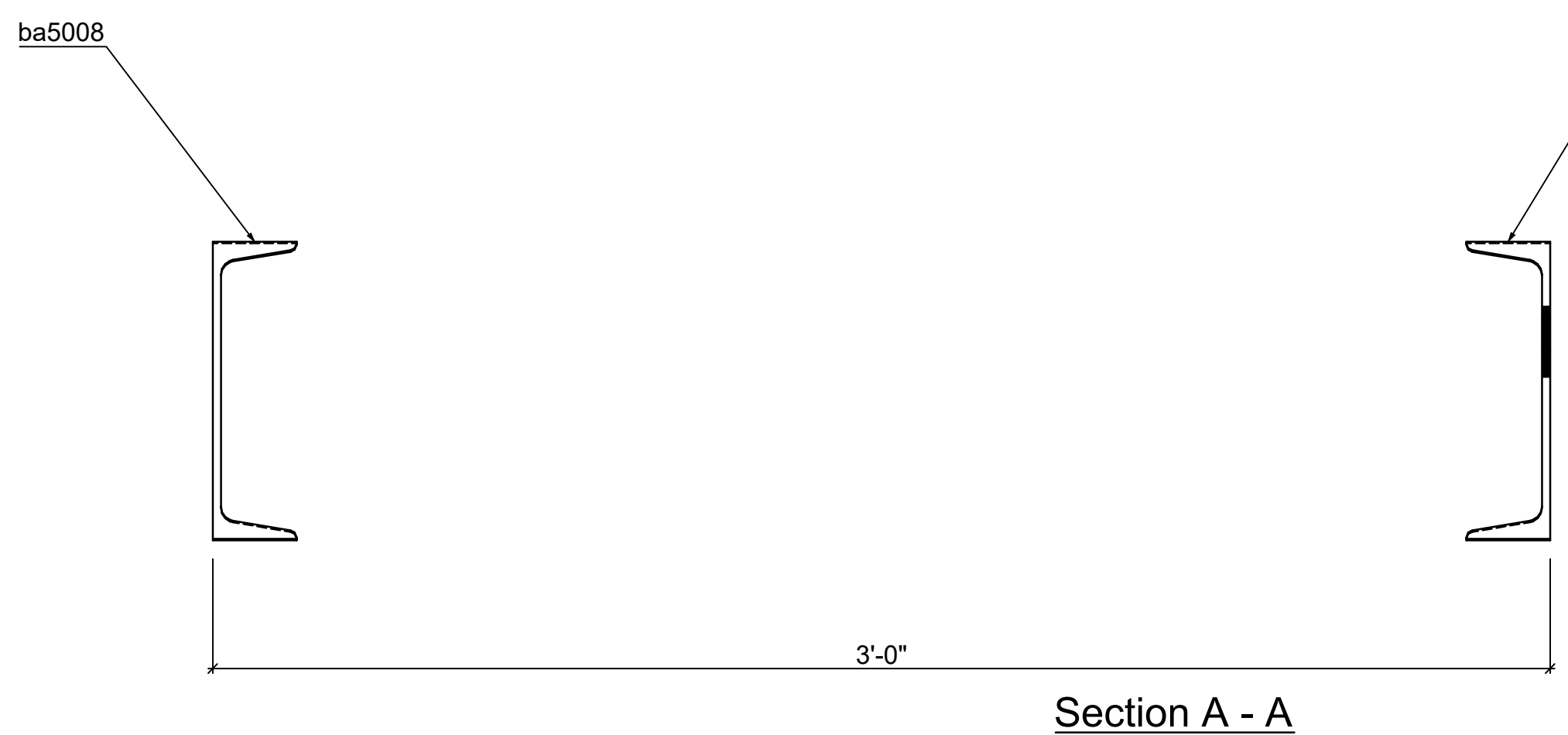
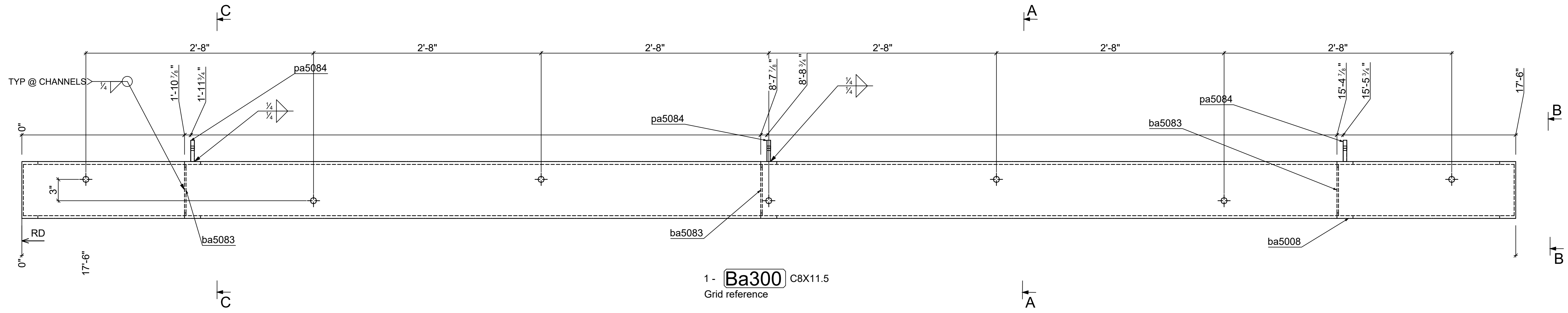
REV.	Date	BY	Description
A	3/29/2023	MJW	ISSUED FOR APPROVAL
B	4/20/2023	MJW	REVISED FOR APPROVAL
C	6/6/2023	MJW	REVISED FOR APPROVAL

STF IRON INC.

647 GALAXY WAY, MODESTO CA. 95356
 TEL: (209) 874-6140 LICENSE #: 1088997

STEEL SCOPE: DAVIS CAR WASH	
PROJ. / CLIENT: STF IRON	
BUILDING:	
LOCATION: 480 MACE BLVD. DAVIS, CA	
DATE:	DATE
STATUS: Not Set	
DRAWN BY: MJW	JOB NO:
CHECKED BY: KW	
SHEET NO: 204	REV: C

Mark	Quantity	Description	Length	Grade	Part weight	Total weight
Ba300	1	C8X11.5	17'-6"	A36	201.25	201.25
ba5008	1	C8X11.5	17'-6"	A36	201.25	201.25
ba5083	3	C8X11.5	2'-11 1/8"	A36	34.09	102.27
pa5084	10	1/4" x 1 1/2" x 11 1/2" x 3"	2'-3"	A36	576.55	576.55
					TOTAL:	978.34



REV.	Date	BY	Description
A	3/29/2023	MJW	ISSUED FOR APPROVAL
B	4/20/2023	MJW	REVISED FOR APPROVAL
C	6/6/2023	MJW	REVISED FOR APPROVAL

STF IRON INC.

647 GALAXY WAY, MODESTO CA. 95356
TEL: (209) 874-6140 LICENSE #: 1088997

STEEL SCOPE: DAVIS CAR WASH

PROJ. / CLIENT: STF IRON

BUILDING:

LOCATION: 480 MACE BLVD. DAVIS, CA

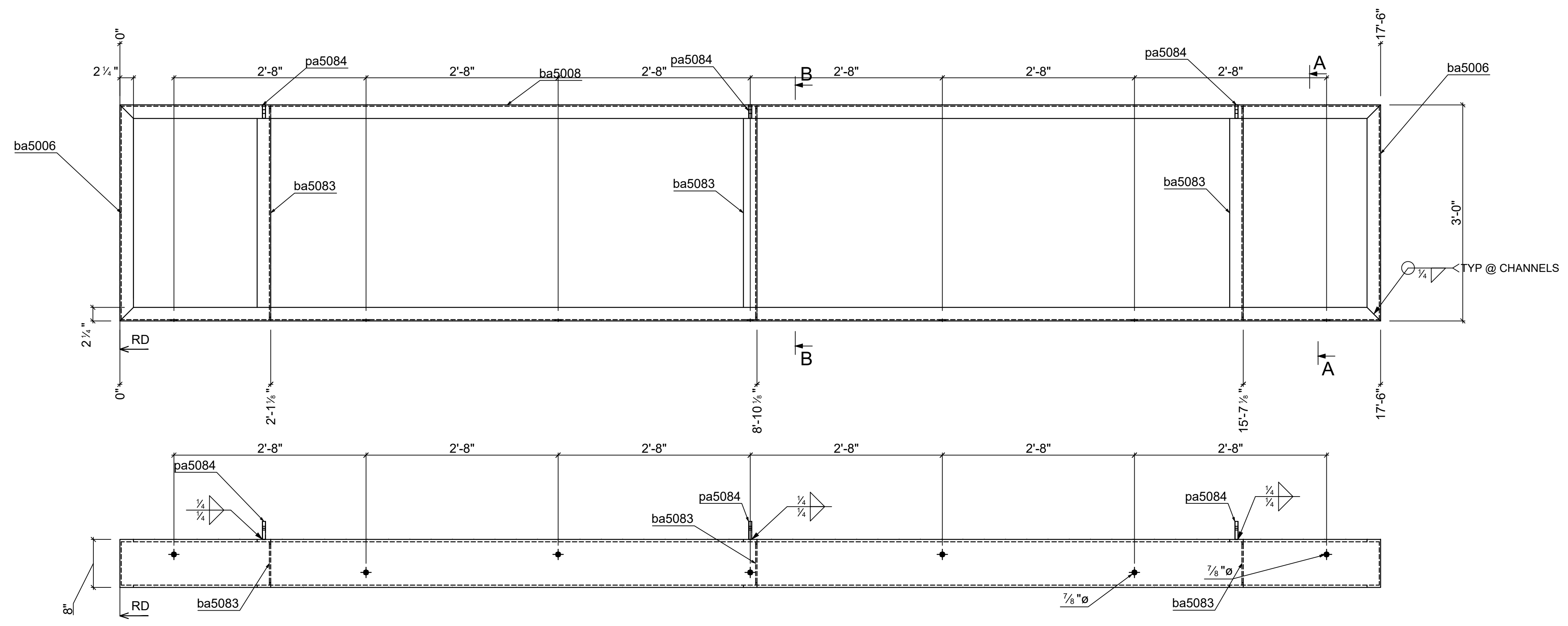
DATE: DATE STATUS: Not Set

DRAWN BY: MJW JOB NO: SHEET NO: 300 REV: C

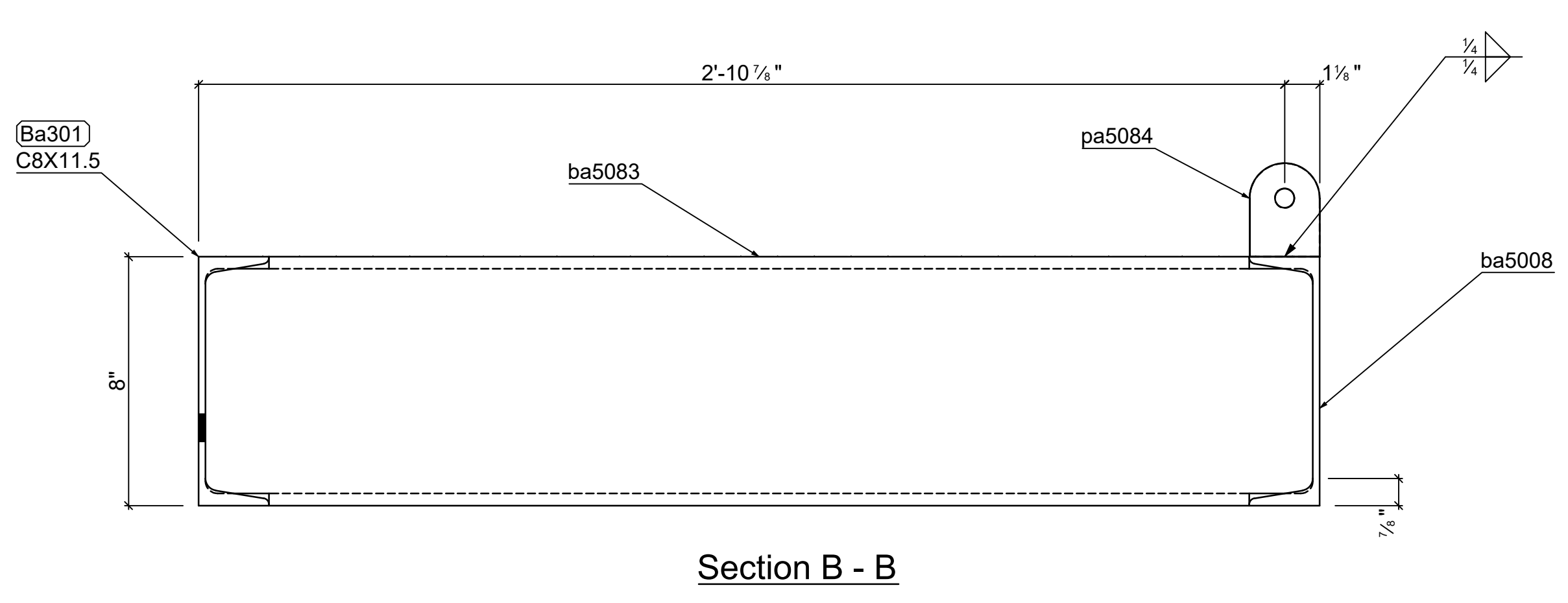
CHECKED BY: KW

Quantity	Description	Length
7	3/4" x US Hooked Anchors	17'-6"

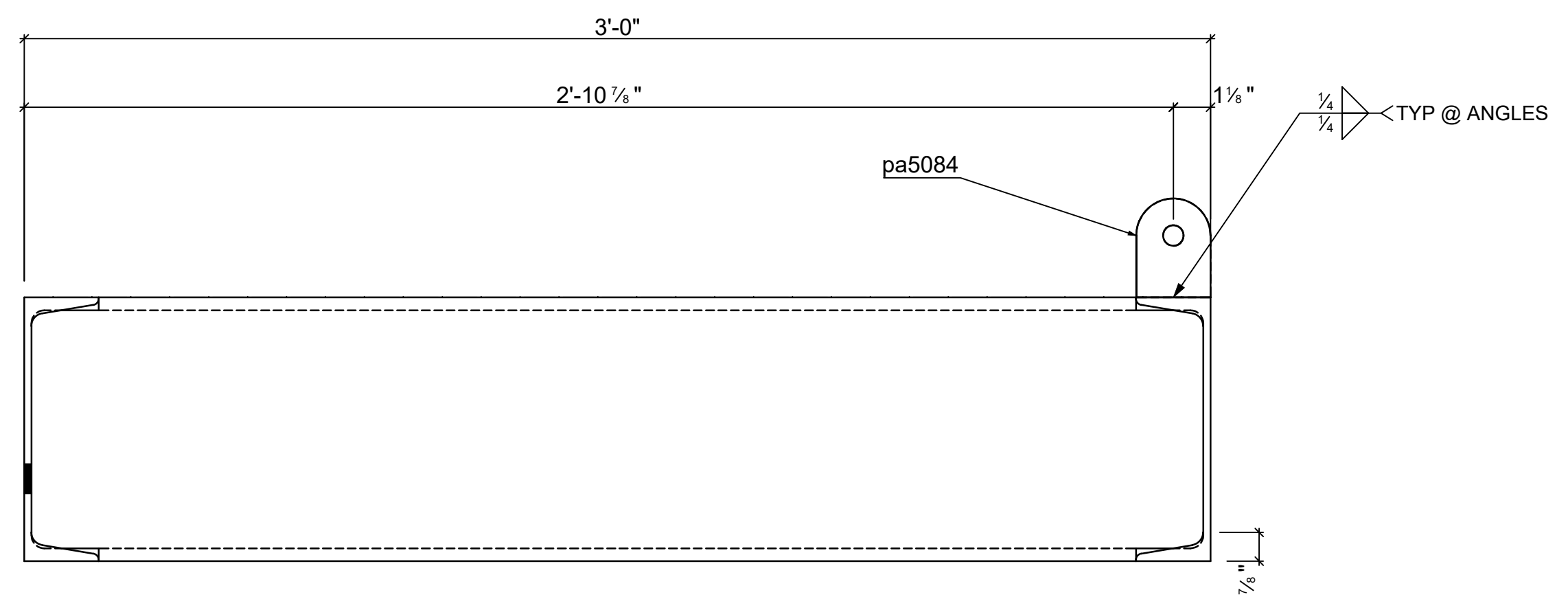
Mark	Quantity	Description	Length	Grade	Part weight	Total weight
Ba301	2	C8X11.5	17'-6"	A36	201.25	402.50
ba5006	2	C8X11.5	17'-6"	A36	201.25	402.50
ba5008	2	C8X11.5	3'-0"	A36	34.00	68.00
ba5083	6	C8X11.5	2'-11 1/8"	A36	38.00	228.00
pa5084	20	1/4" X 2-1/2" X 1/4" L	2'-8"	A36	276.50	1182.00
					TOTAL:	1182.00



2 - **Ba301** C8X11.5




Section B - B



Section A - A

REV.	Date	BY	Description
A	3/29/2023	MJW	ISSUED FOR APPROVAL
B	4/20/2023	MJW	REVISED FOR APPROVAL
C	6/6/2023	MJW	REVISED FOR APPROVAL



STF IRON INC.

647 GALAXY WAY, MODESTO CA. 95356
 TEL: (209) 874-6140 LICENSE #: 1088997

STEEL SCOPE: DAVIS CAR WASH

PROJ. / CLIENT: STF IRON

BUILDING:

LOCATION: 480 MACE BLVD. DAVIS, CA

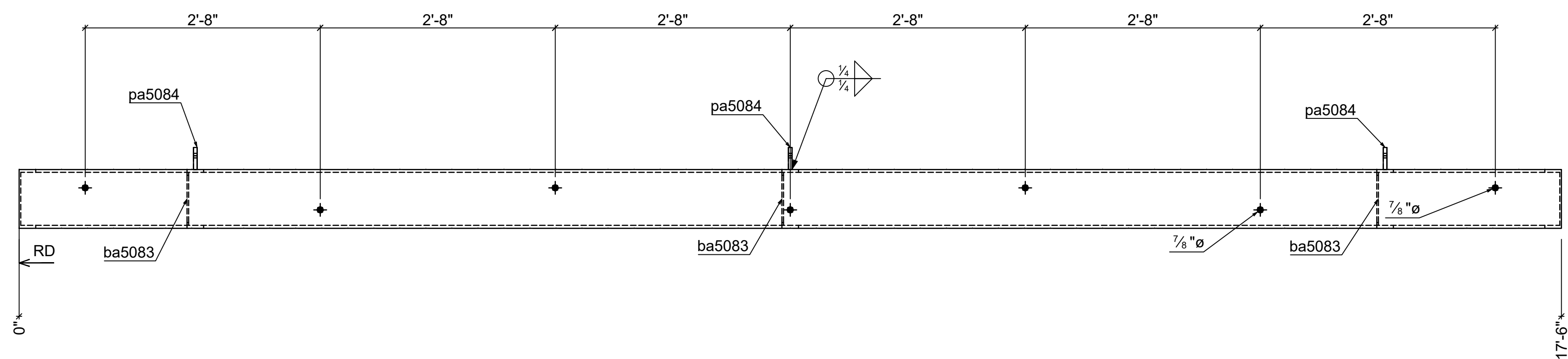
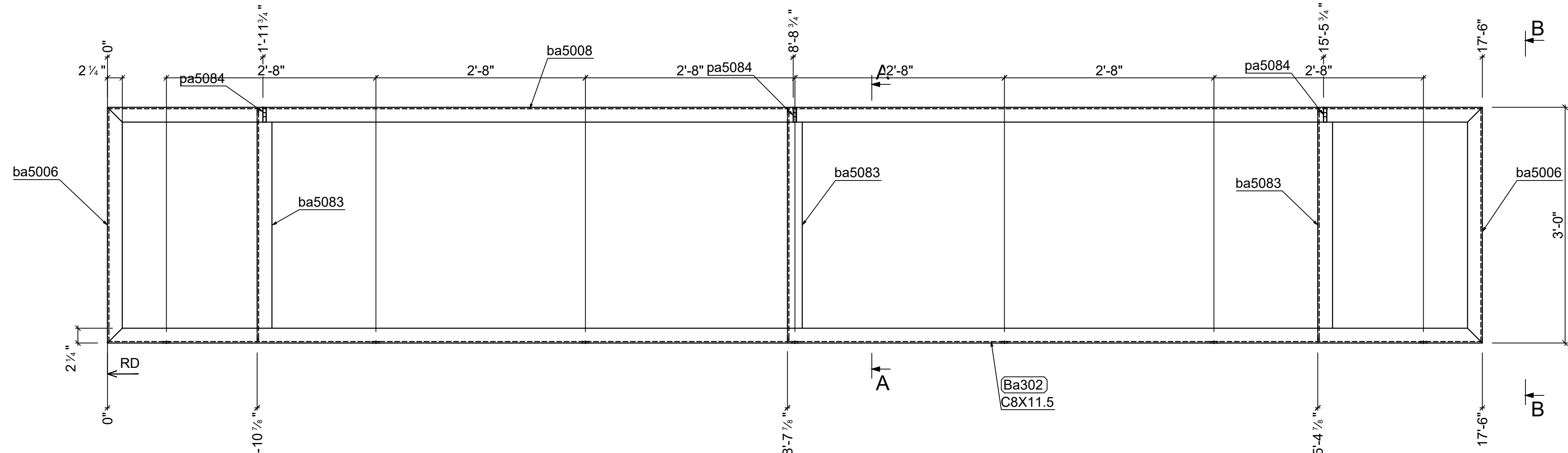
DATE: DATE STATUS: Not Set

DRAWN BY: MJW JOB NO: SHEET NO: 301 REV: C

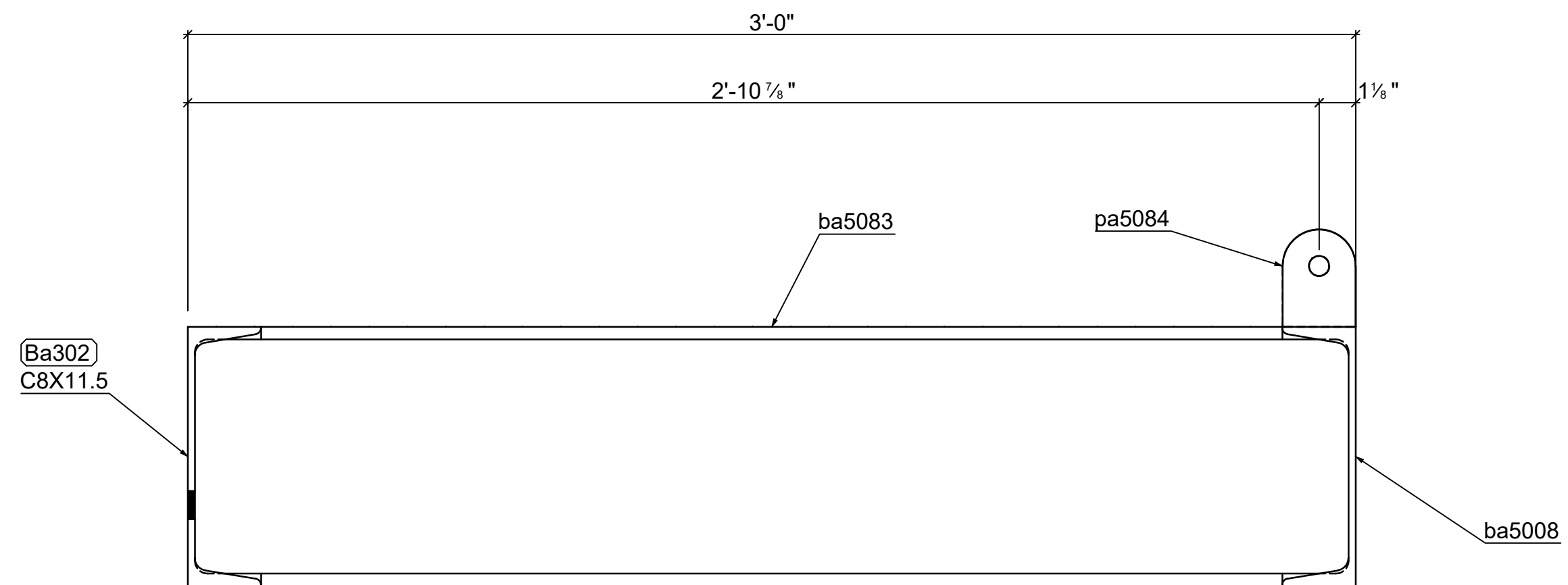
CHECKED BY: KW

Quantity	Description	Length
14	1/4" X 2-1/2" X 1/4" Anchors	0'-8"

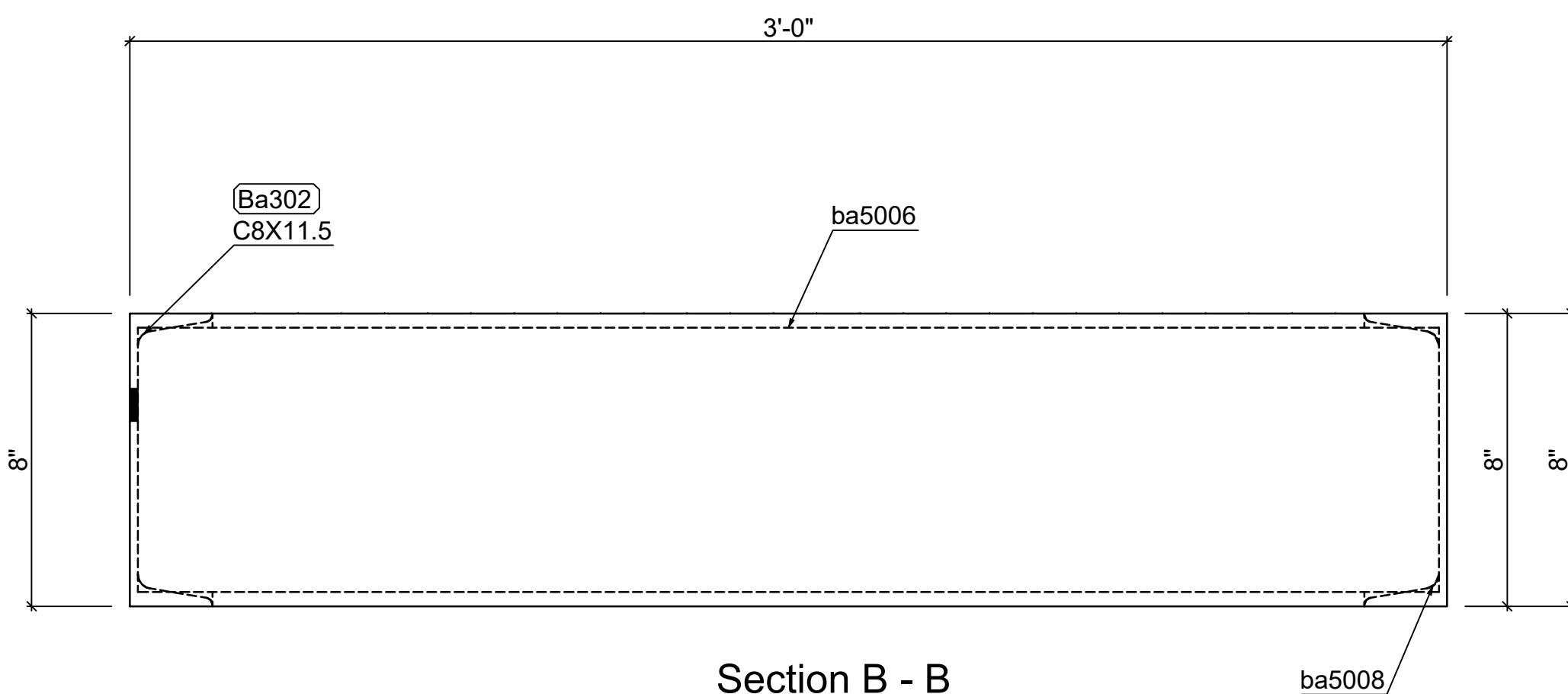
Mark	Quantity	Description	Length	Grade	Part weight	Total weight
Ba302	2	C8X11.5	17'-6"	A36	201.25	402.50
ba5006	2	C8X11.5	17'-6"	A36	201.25	402.50
ba5083	6	C8X11.5	2'-11 1/8"	A36	34.69	208.14
pa5084	6	1/2" x 1 1/4" x 3/4"	2'-11 1/8"	A36	2.25	13.50
	20				839.59	1152.71
		TOTAL:				1152.71



2 - Ba302 C8X11.5



Section A - A



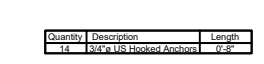
Section B - B

REV.	Date	BY	Description
A	3/29/2023	MJW	ISSUED FOR APPROVAL
B	4/20/2023	MJW	REVISED FOR APPROVAL
C	6/6/2023	MJW	REVISED FOR APPROVAL

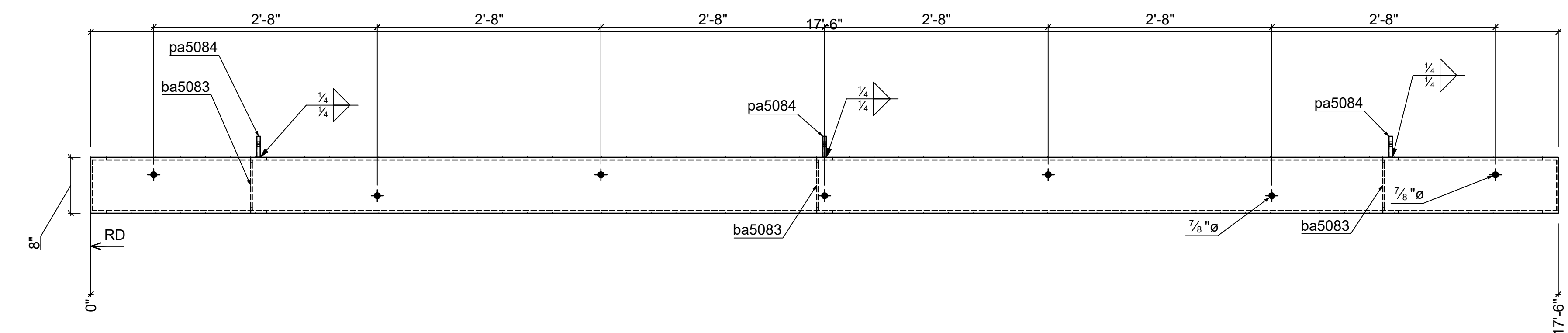
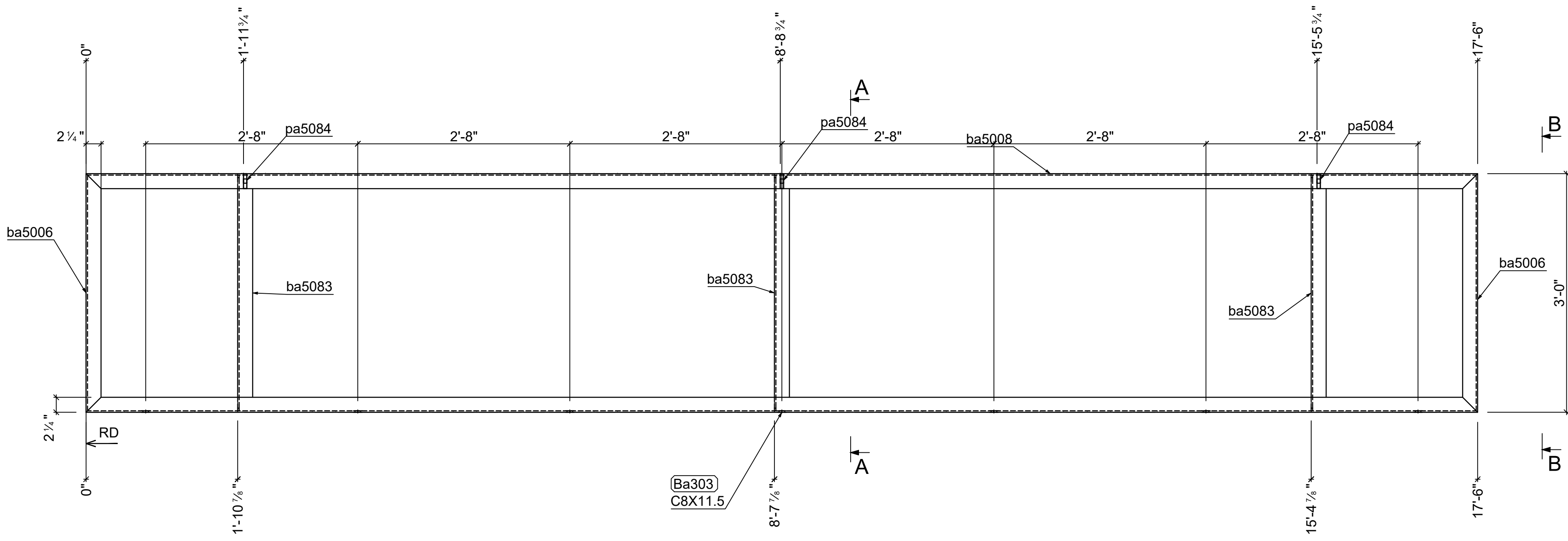
STF IRON INC.

647 GALAXY WAY, MODESTO CA. 95356
TEL: (209) 874-6140 LICENSE #: 1088997

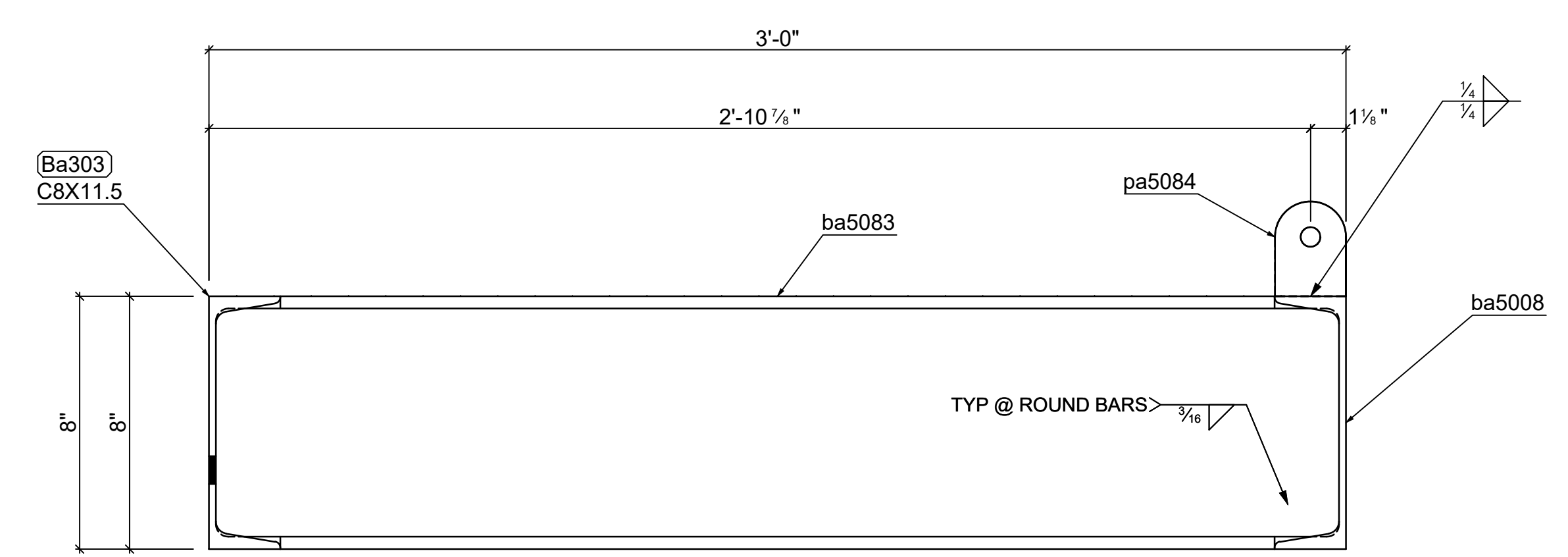
STEEL SCOPE: DAVIS CAR WASH	
PROJ. / CLIENT: STF IRON	
BUILDING:	
LOCATION: 480 MACE BLVD. DAVIS, CA	
DATE: DATE	STATUS: Not Set
DRAWN BY: MJW	JOB NO: SHEET NO: 302
CHECKED BY: KW	REV: C



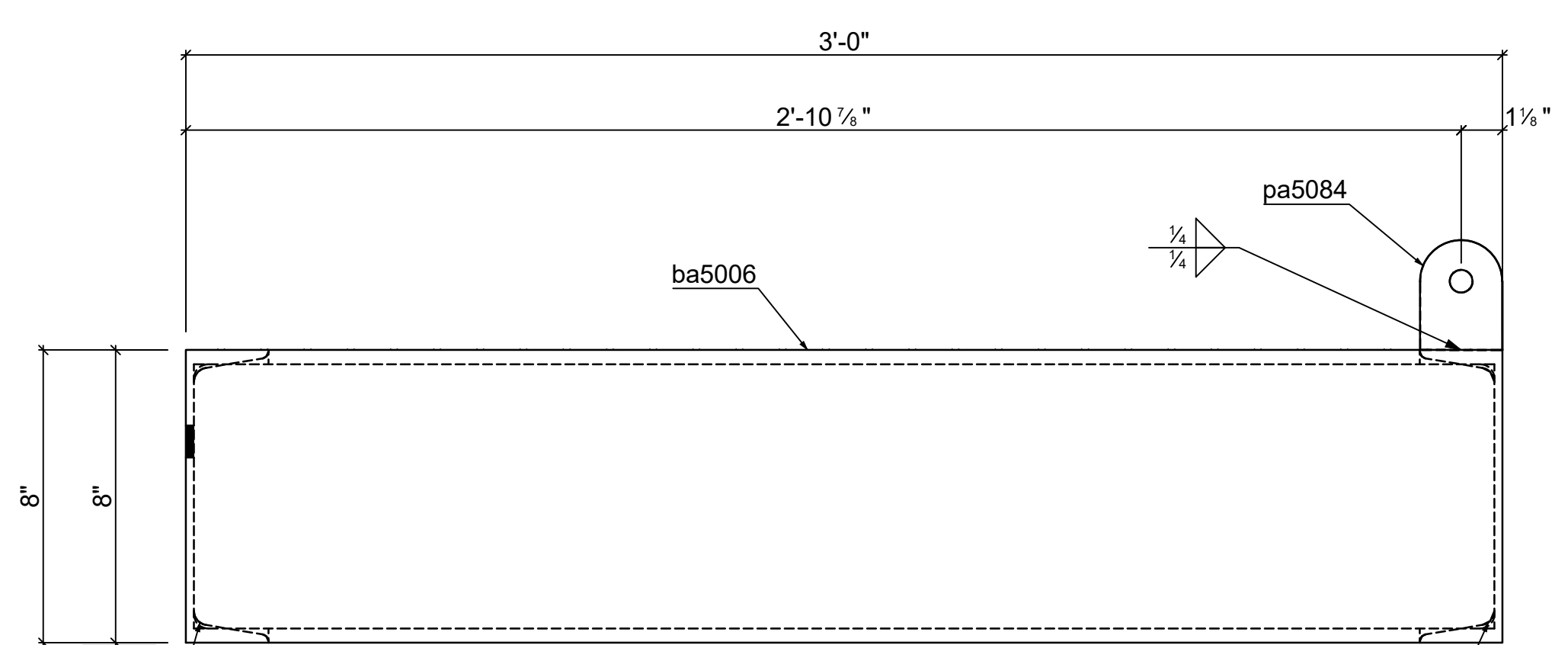
Mark	Quantity	Description	Length	Grade	Part weight	Total weight
Ba303	1	C8X11.5	17'-6"	A36	201.25	201.25
ba5006	1	C8X11.5	17'-6"	A36	201.25	201.25
ba5008	2	C8X11.5	3'-0"	A36	34.69	69.38
pa5084	3	C8X11.5	2'-11 7/8"	A36	34.69	104.07
ba5083	3	1/4" x 10 1/8" x 3/4"	8'-7 1/8"	A36	3.92	11.76
	10				576.35	576.35
					TOTAL:	678.34



1 - Ba303 C8X11.5




Section A - A



Section B - B

REV.	Date	BY	Description
A	3/29/2023	MJW	ISSUED FOR APPROVAL
B	4/20/2023	MJW	REVISED FOR APPROVAL
C	6/6/2023	MJW	REVISED FOR APPROVAL



STF IRON INC.

647 GALAXY WAY, MODESTO CA. 95356
TEL: (209) 874-6140 LICENSE #: 1088997

STEEL SCOPE: DAVIS CAR WASH

PROJ. / CLIENT: STF IRON

BUILDING:

LOCATION: 480 MACE BLVD. DAVIS, CA

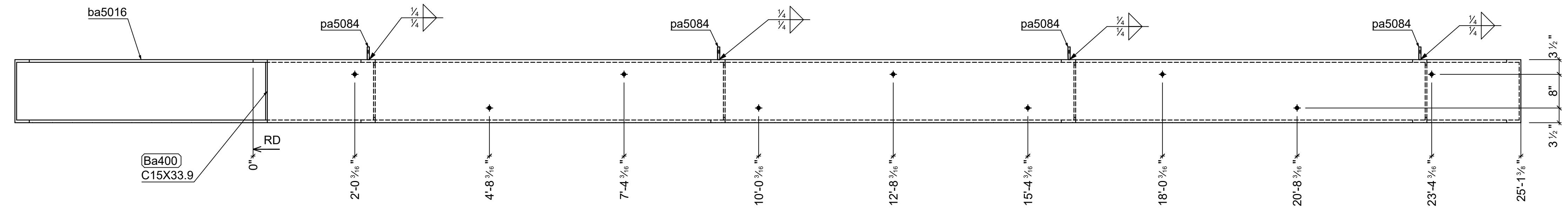
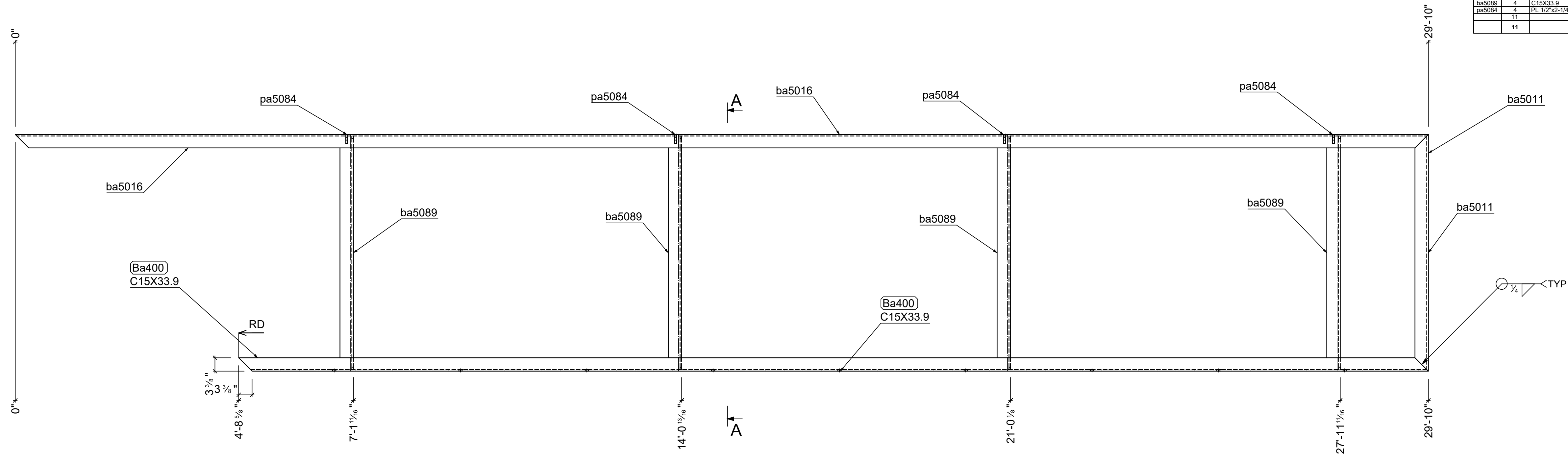
DATE: DATE STATUS: Not Set

DRAWN BY: MJW JOB NO: SHEET NO: 303 REV: C

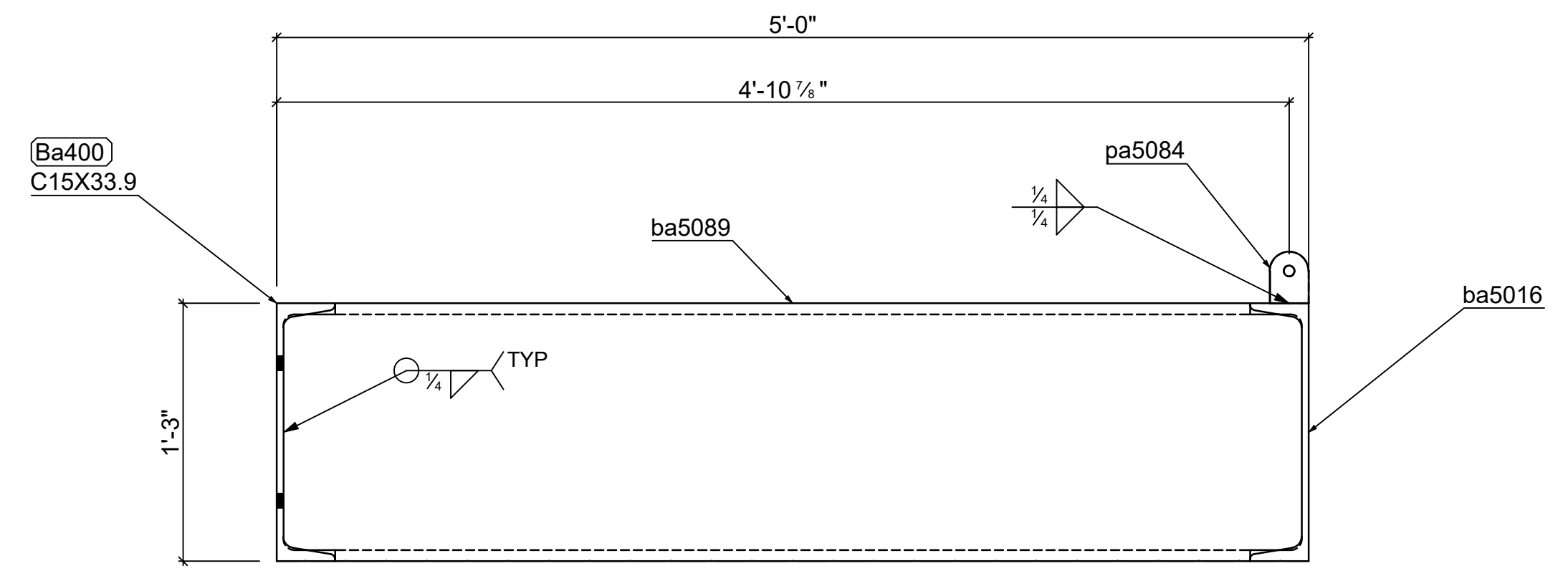
CHECKED BY: KW

Quantity	Description	Length
7	3/4" x 10 1/8" Hooked Anchors	17'-6"

Mark	Quantity	Description	Length	Grade	Part weight	Total weight
Ba400	1	C15X33.9	29'-10"	A36	851.45	851.45
Ba5016	1	C15X33.9	29'-10"	A36	1011.35	1011.35
Ba5011	1	C15X33.9	6'-0"	A36	169.50	169.50
Ba5089	4	C15X33.9	4'-11 3/16"	A36	167.24	668.96
Pa5084	4	PL 1/2"x2-1/4"x0'-3"	0'-3"	A36	0.97	3.89
	11				2704.76	2704.76




1 - Ba400 C15X33.9



Section A - A

REV.	Date	BY	Description
A	3/29/2023	MJW	ISSUED FOR APPROVAL
B	4/20/2023	MJW	REVISED FOR APPROVAL
C	6/6/2023	MJW	REVISED FOR APPROVAL



STF IRON INC.

647 GALAXY WAY, MODESTO CA. 95356
TEL: (209) 874-6140 LICENSE #: 1088997

STEEL SCOPE: DAVIS CAR WASH

PROJ. / CLIENT: STF IRON

BUILDING:

LOCATION: 480 MACE BLVD. DAVIS, CA

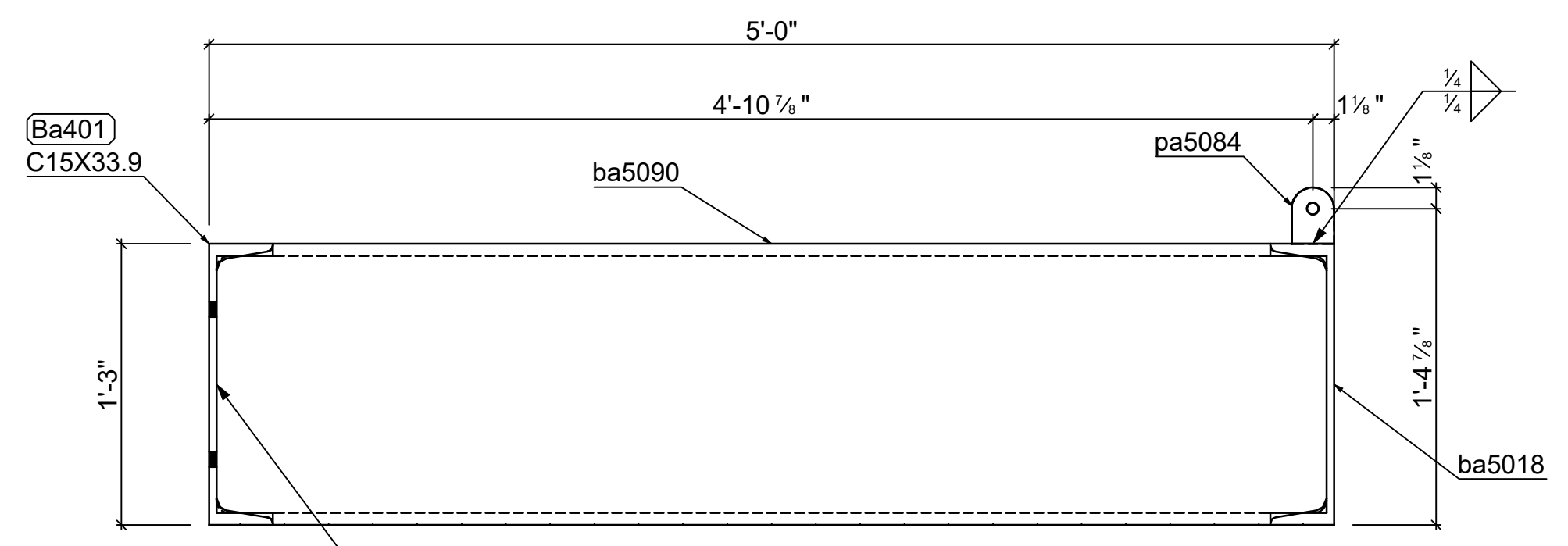
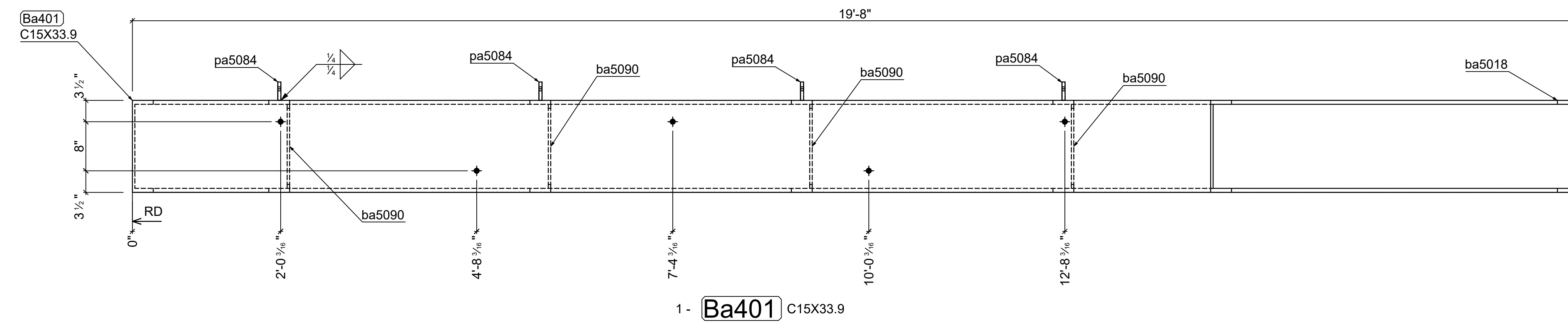
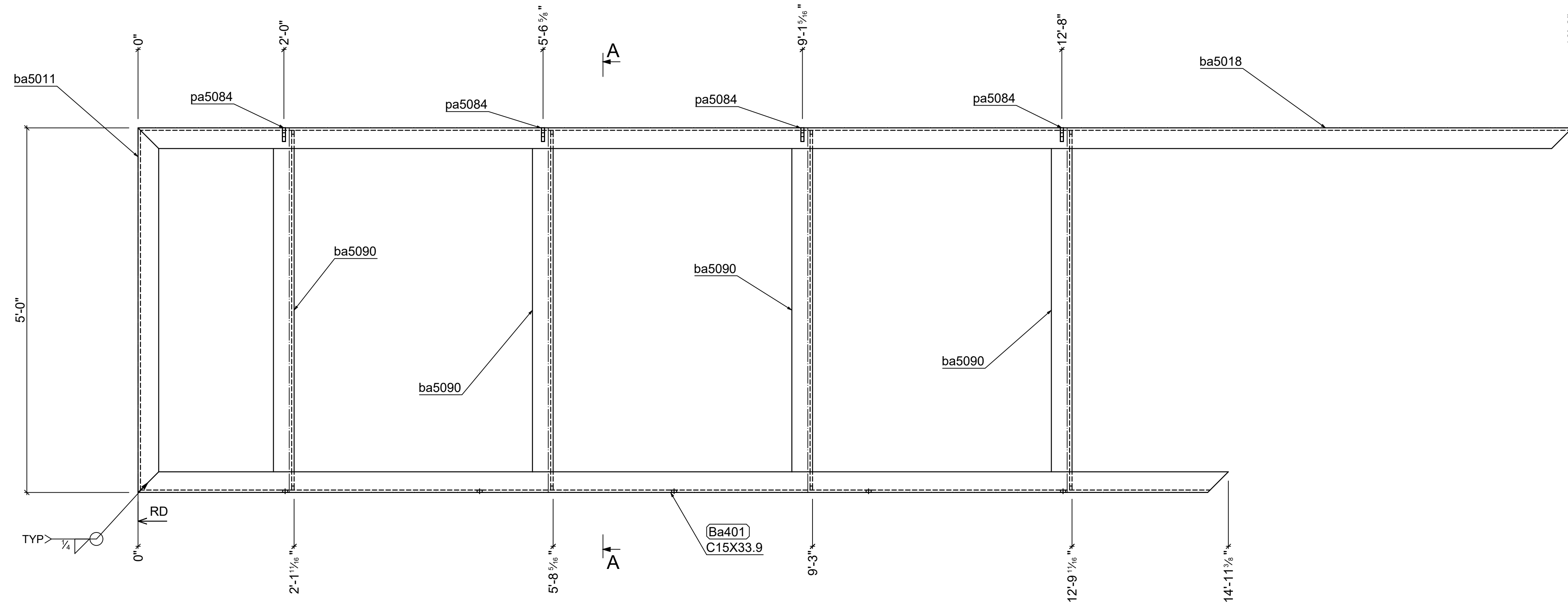
DATE: DATE STATUS: Not Set

DRAWN BY: MJW JOB NO: SHEET NO: 400 REV: C

CHECKED BY: KW


Quantity	Description	Length
9	3/4" HILTI HY 150 HIT-T2	0'-5 1/4"

Mark	Quantity	Description	Length	Grade	Part weight	Total weight
Ba401	1			Painted		
Ba401	1	C15X33.9	14'-11 3/8"	A36	506.80	506.80
ba5018	1	C15X33.9	19'-8"	A36	669.70	669.70
ba5011	1	C15X33.9	6'-0"	A36	169.50	169.50
ba5090	4	C15X33.9	4'-11 3/16"	A36	167.24	668.96
pa5084	4	PL 1/2"x2-1/4"x0-3"	0'-0"	A36	0.97	3.89
	11				2015.46	2015.46



Section A - A

REV.	Date	BY	Description
A	3/29/2023	MJW	ISSUED FOR APPROVAL
B	4/20/2023	MJW	REVISED FOR APPROVAL
C	6/6/2023	MJW	REVISED FOR APPROVAL



STF IRON INC.

647 GALAXY WAY, MODESTO CA. 95356
TEL: (209) 874-6140 LICENSE #: 1088997

STEEL SCOPE: DAVIS CAR WASH

PROJ. / CLIENT: STF IRON

BUILDING:

LOCATION: 480 MACE BLVD. DAVIS, CA

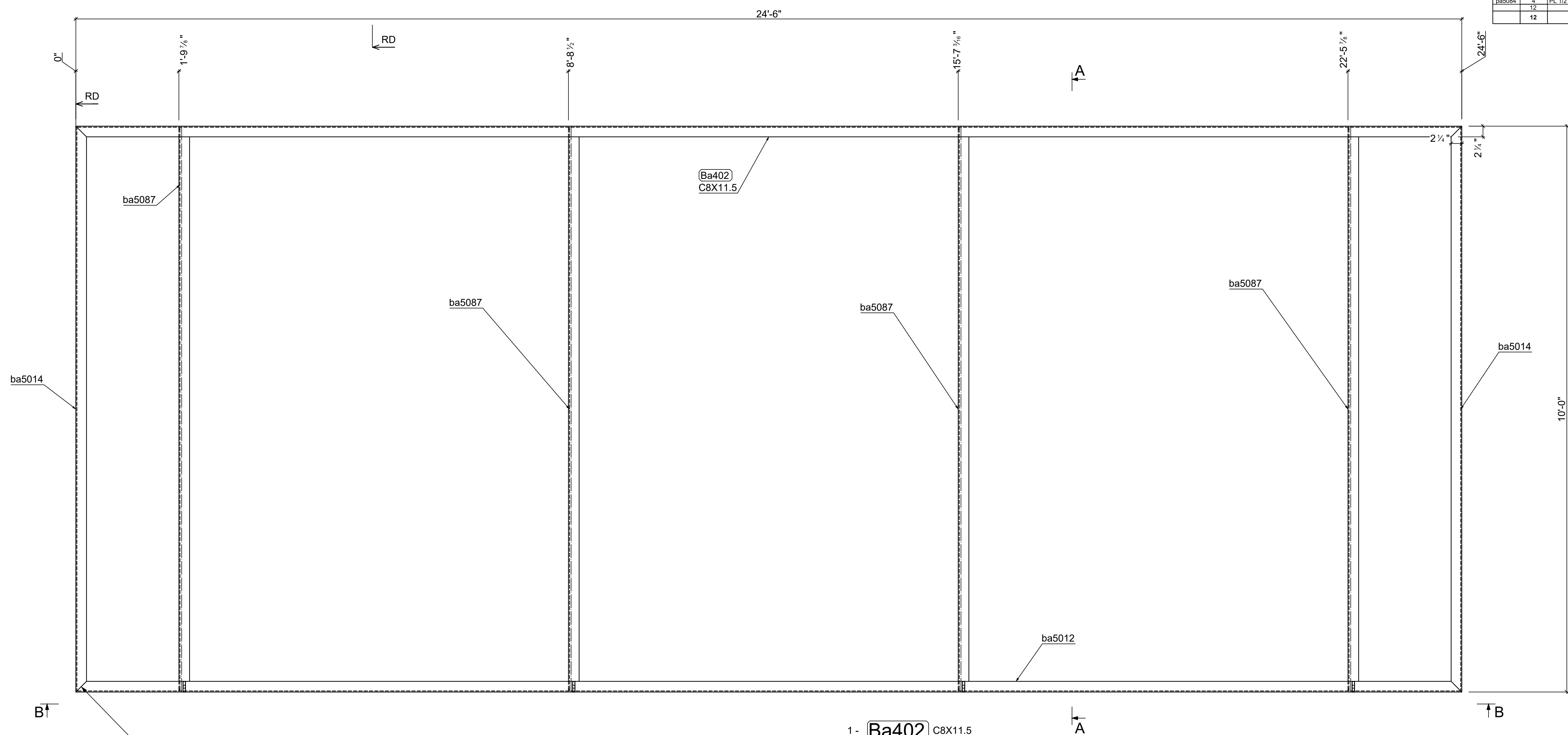
DATE: DATE STATUS: Not Set

DRAWN BY: MJW JOB NO: SHEET NO: 401 REV: C

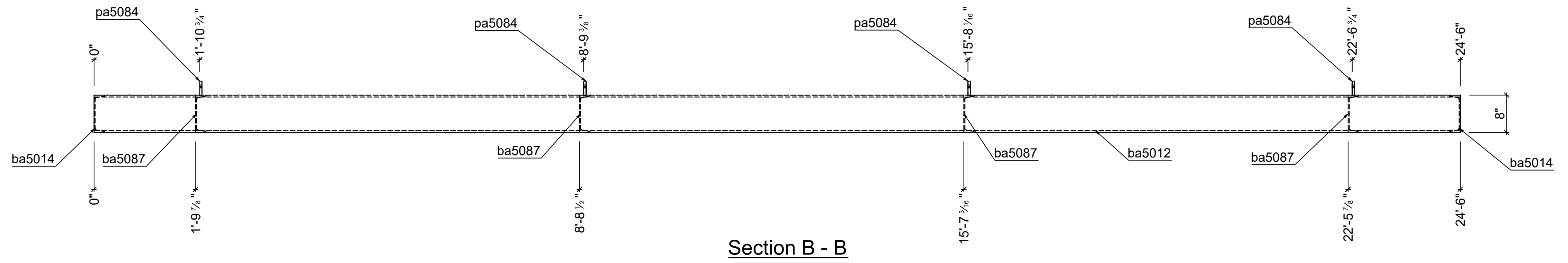
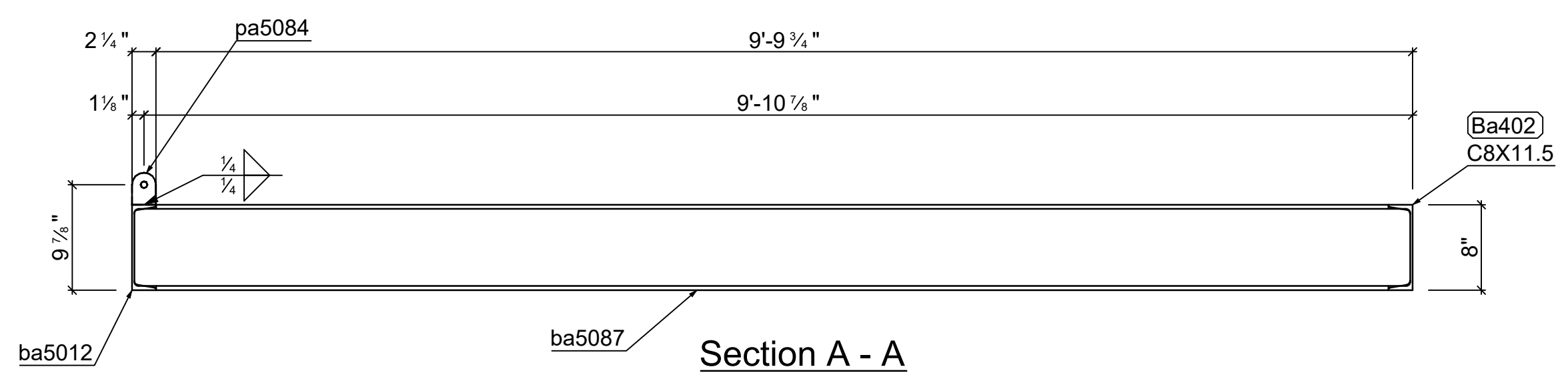
CHECKED BY: KW

Quantity	Description	Length
5	3/4" ø HILTI HY 150 HIT-T2	0'-5 1/4"

Mark	Quantity	Description	Length	Grade	Part weight	Total weight
Ba402	1					
Ba402	2	C8X11.5	24'-6"	A36	281.75	563.50
ba5014	2	C8X11.5	10'-0"	A36	115.00	230.00
ba5087	4	C8X11.5	9'-11 9/16"	A36	114.58	458.31
pa5084	4	PL 1/2"x2-1/4"x0'-3"	0'-3"	A36	0.87	3.49
12					1255.30	1255.30
	12				TOTAL:	1255.30



1 - Ba402 C8X11.5

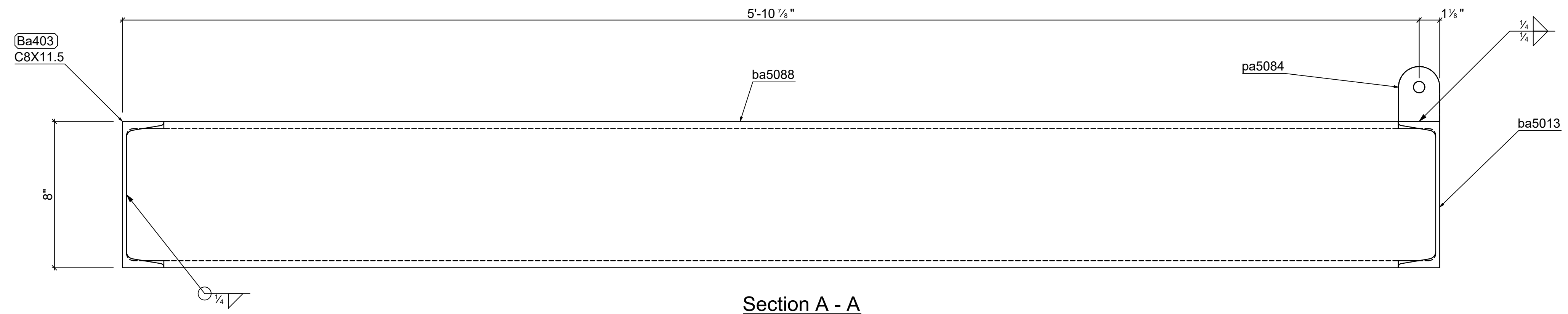
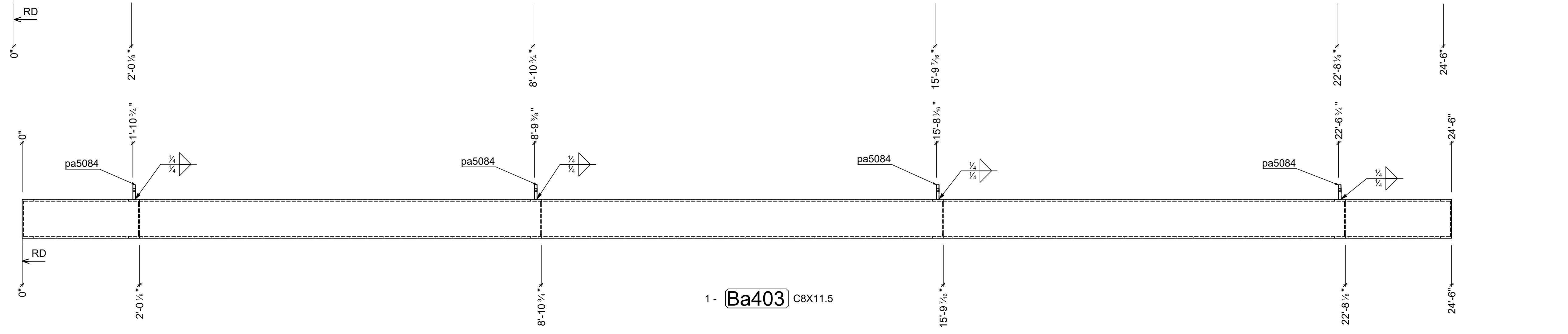
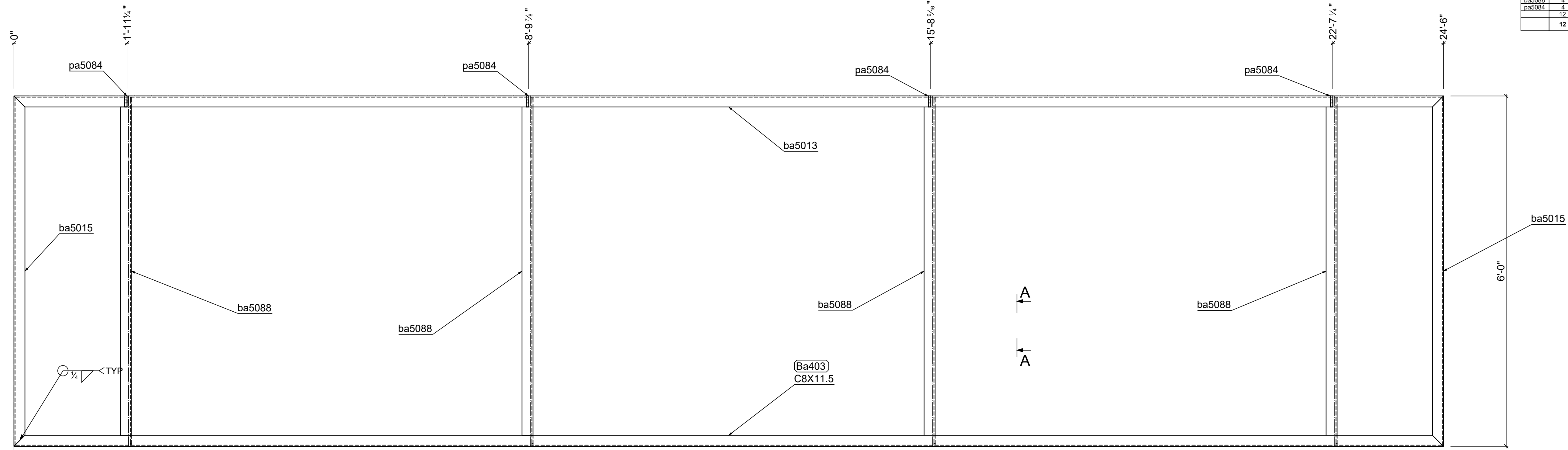


REV.	Date	BY	Description
A	3/29/2023	MJW	ISSUED FOR APPROVAL
B	4/20/2023	MJW	REVISED FOR APPROVAL
C	6/6/2023	MJW	REVISED FOR APPROVAL

STF IRON INC.
 647 GALAXY WAY, MODESTO CA. 95356
 TEL: (209) 874-6140 LICENSE #: 1088997


STEEL SCOPE: DAVIS CAR WASH		
PROJ. / CLIENT: STF IRON		
BUILDING:		
LOCATION: 480 MACE BLVD. DAVIS, CA		
DATE:	DATE	STATUS: Not Set
DRAWN BY: MJW	JOB NO:	SHEET NO: 402
CHECKED BY: KW		REV: C

Mark	Quantity	Description	Length	Grade	Part weight	Total weight
Ba403	1			Painted		
Ba403	2	C8X11.5	24'-6"	A36	281.75	563.50
ba5015	2	C8X11.5	6'-0"	A36	89.00	178.00
ba5088	4	C8X11.5	5'-11 1/16"	A36	88.88	355.52
pa5084	4	PL 1/2"x2-1/4"x0'-3"	0'-3"	A36	0.87	3.49
12					979.30	979.30
TOTAL:						979.30



Section A - A

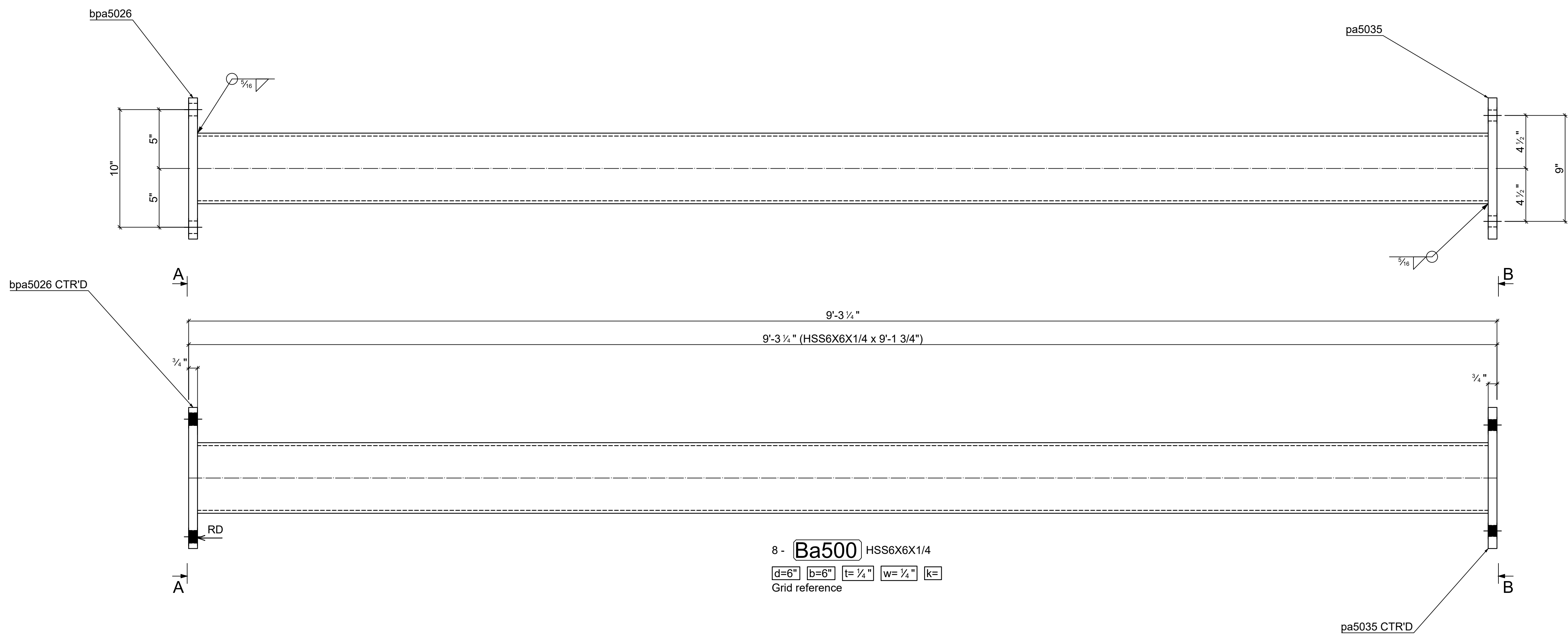
REV.	Date	BY	Description
A	3/29/2023	MJW	ISSUED FOR APPROVAL
B	4/20/2023	MJW	REVISED FOR APPROVAL
C	6/6/2023	MJW	REVISED FOR APPROVAL



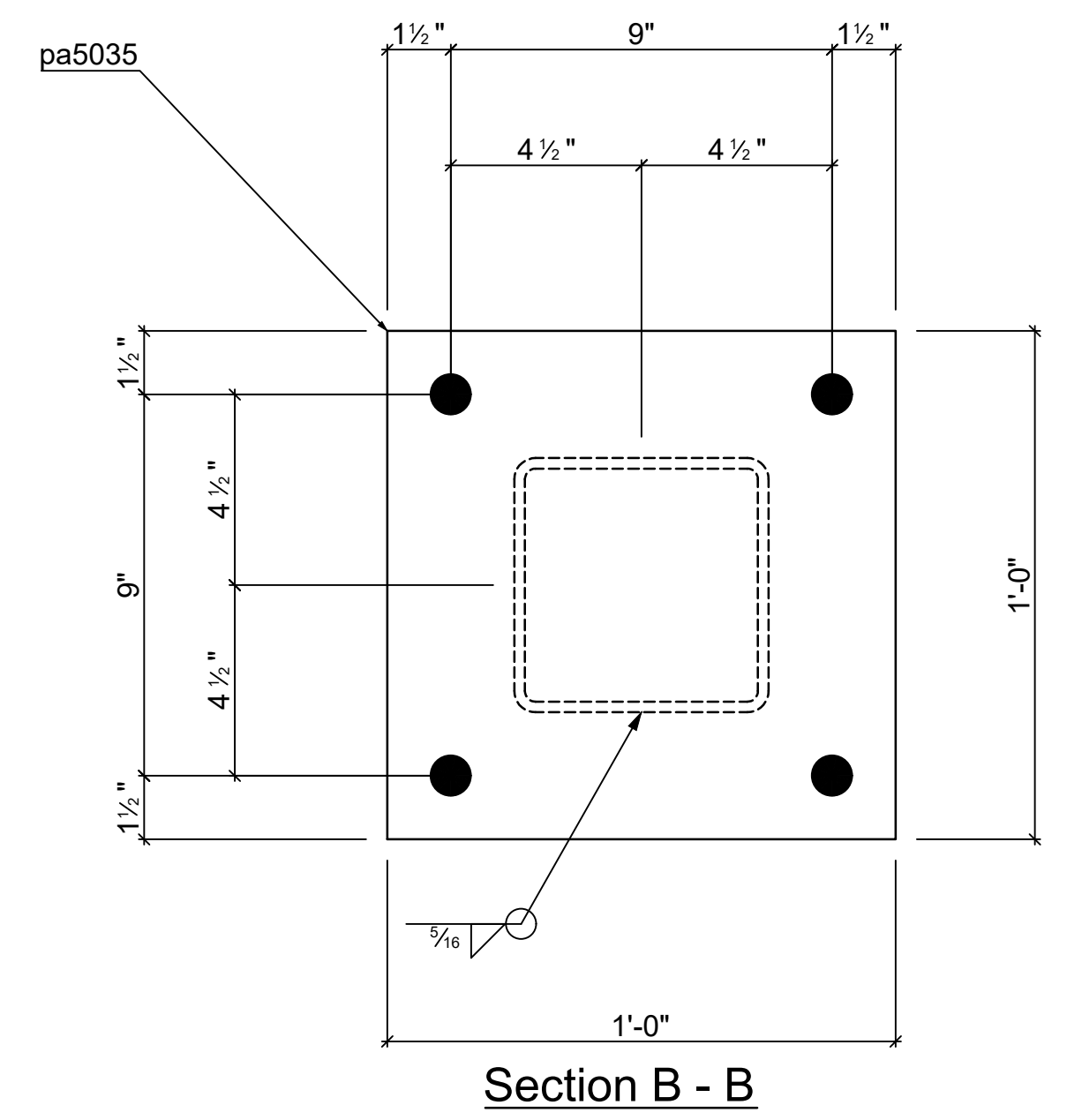
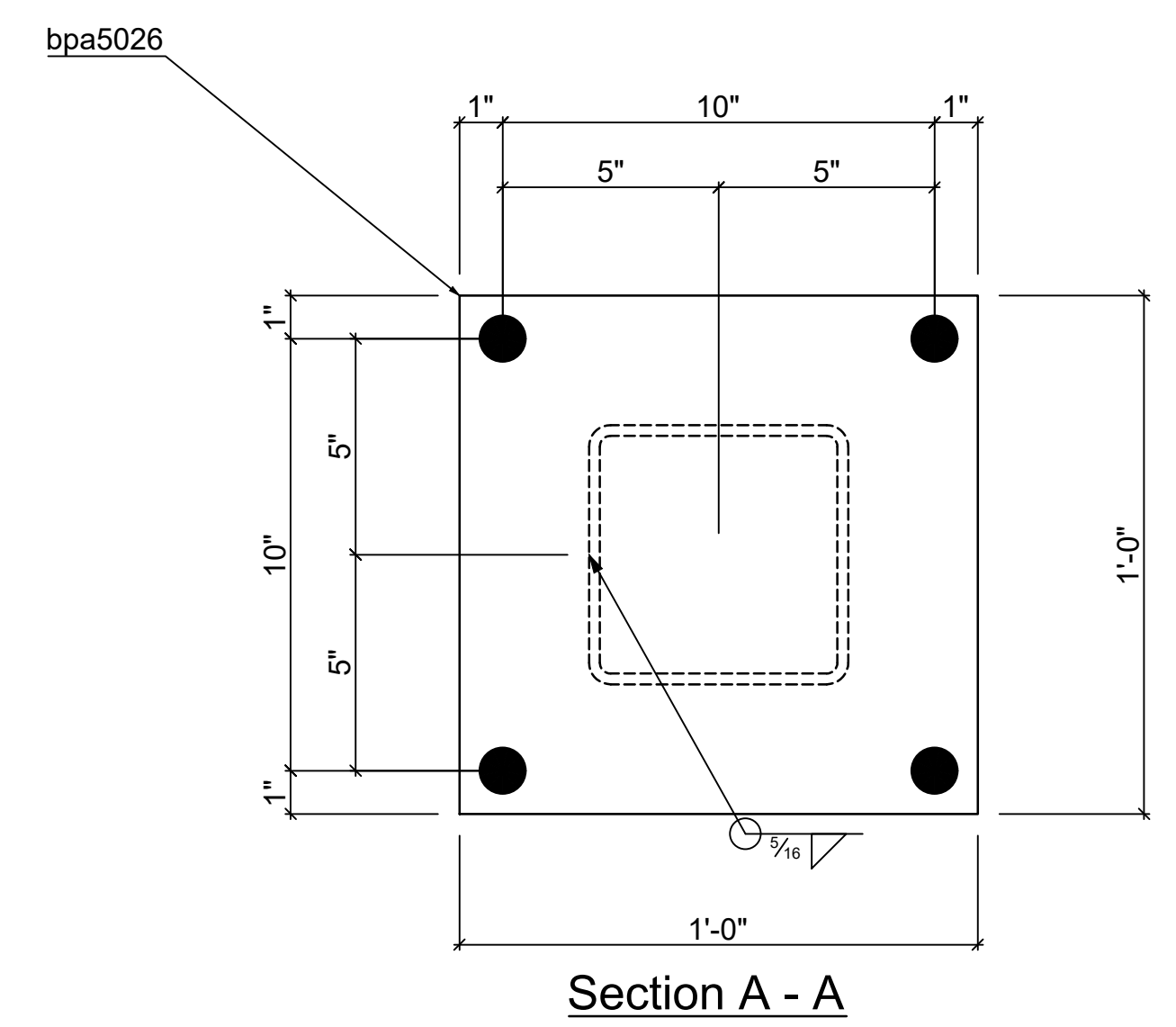
STF IRON INC.
 647 GALAXY WAY, MODESTO CA. 95356
 TEL: (209) 874-6140 LICENSE #: 1088997

STEEL SCOPE: DAVIS CAR WASH	
PROJ. / CLIENT: STF IRON	
BUILDING:	
LOCATION: 480 MACE BLVD. DAVIS, CA	
DATE:	DATE
STATUS: Not Set	
DRAWN BY: MJW	JOB NO:
CHECKED BY: KW	
SHEET NO: 403	REV: C

Mark	Quantity	Description	Length	Grade	Part weight	Total weight
Ba500	8	Iron Oxide Primer				
Ba500	8	HSS6X6X1/4	9'-1 3/4"	A500 GR C	173.95	1391.63
pa5035	8	PL 3/4"x12"x1'-0"	1'-0"	A36	30.63	245.03
bpa5026	8	PL 3/4"x12"x1'-0"	1'-0"	A36	30.63	245.03
	24				235.21	1881.69
TOTAL:					1881.69	



8 - **Ba500** HSS6X6X1/4
 [d=6"] [b=6"] [t=1/4"] [w=1/4"] [k=]
 Grid reference



REV.	Date	BY	Description
A	3/29/2023	MJW	ISSUED FOR APPROVAL
B	4/20/2023	MJW	REVISED FOR APPROVAL
C	6/6/2023	MJW	REVISED FOR APPROVAL

STF IRON INC.

647 GALAXY WAY, MODESTO CA. 95356
 TEL: (209) 874-6140 LICENSE #: 1088997

STEEL SCOPE: DAVIS CAR WASH

PROJ. / CLIENT: STF IRON

BUILDING:

LOCATION: 480 MACE BLVD. DAVIS, CA

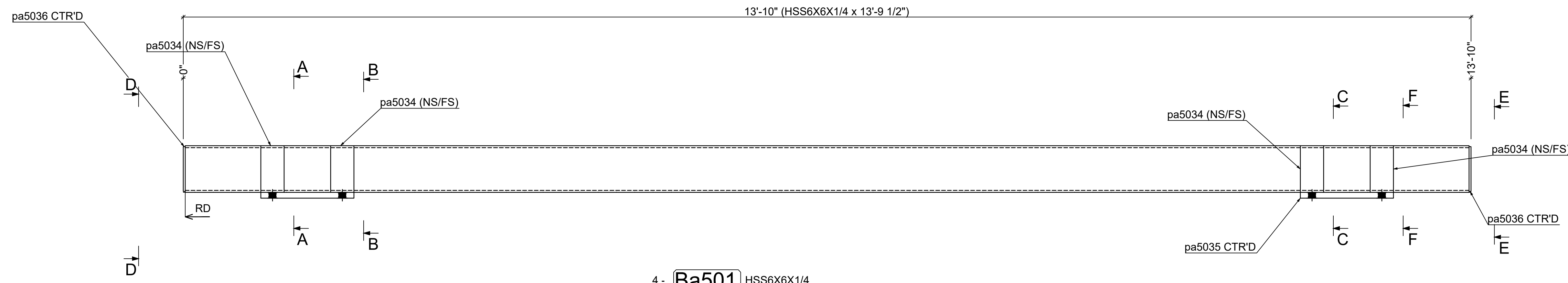
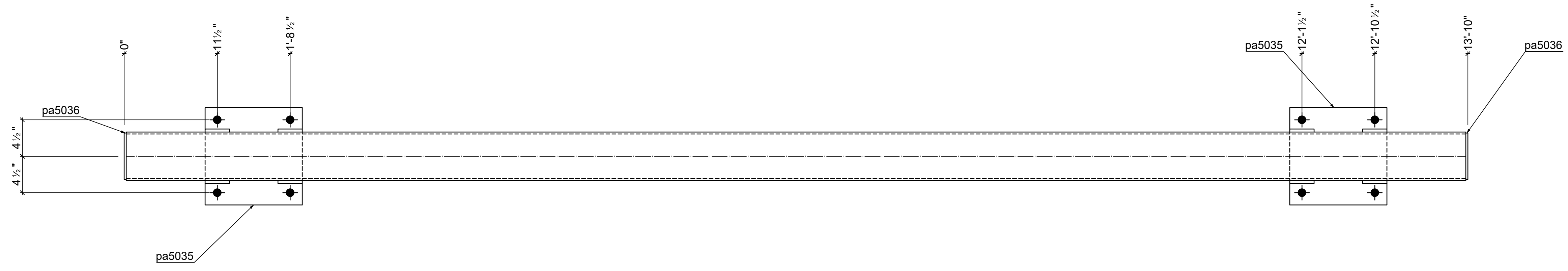
DATE: DATE STATUS: Not Set

DRAWN BY: MJW JOB NO: SHEET NO: 500 REV: C

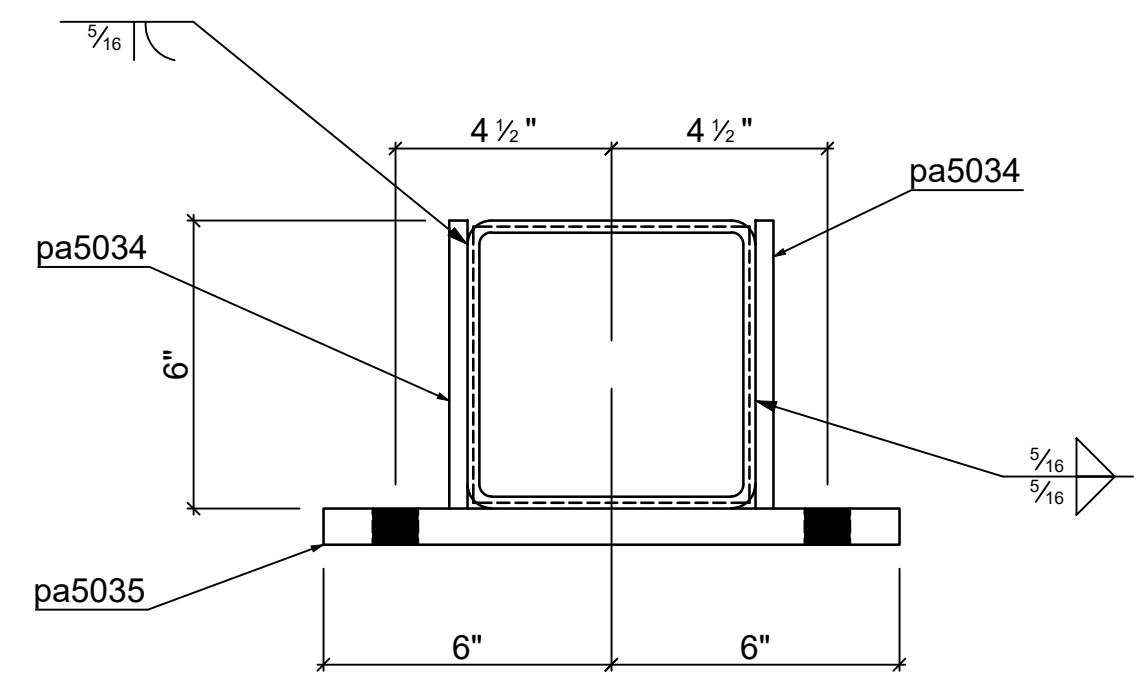
CHECKED BY: KW

Quantity	Description	Length
32	3/4" US Normal Anchors	2'-6"

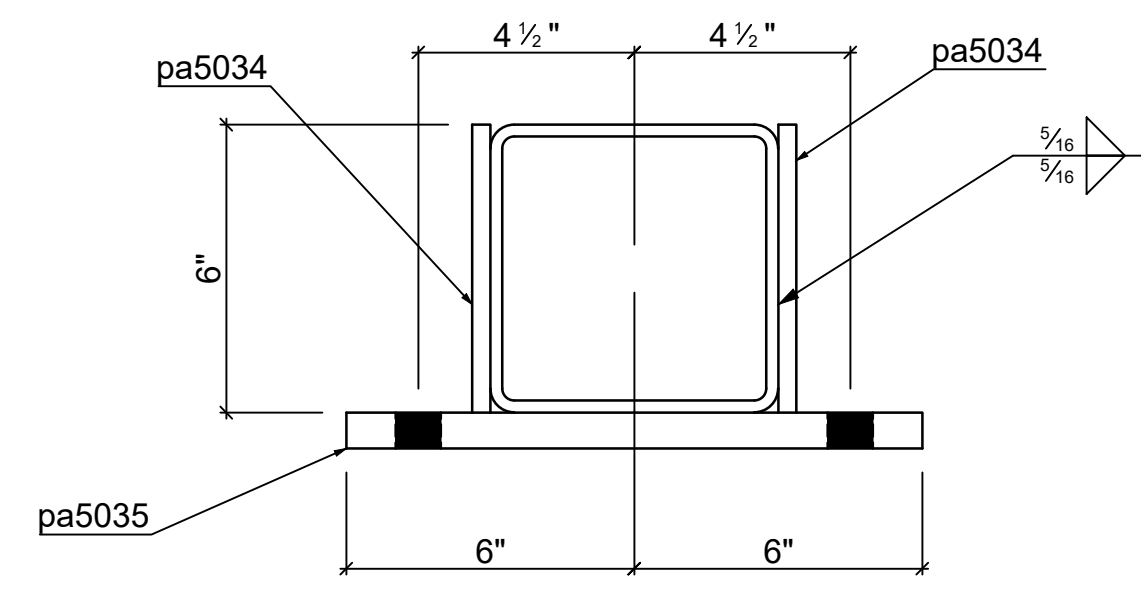
Mark	Quantity	Description	Length	Grade	Part weight	Total weight
Ba501	4	HSS6X6X1/4	13'-9 1/2"	A500 GR C	262.32	1049.27
pa5035	8	PL 3/4"x12"x1'-0"	1'-0"	A36	30.63	245.03
pa5036	8	PL 1/4"x5-3/4"x0'-5 3/4"	0'-5 3/4"	A36	2.94	18.75
pa5034	32	PL 3/8"x3"x0'-6"	0'-6"	A36	1.91	61.26
52					343.58	1374.31
TOTAL:					1374.31	



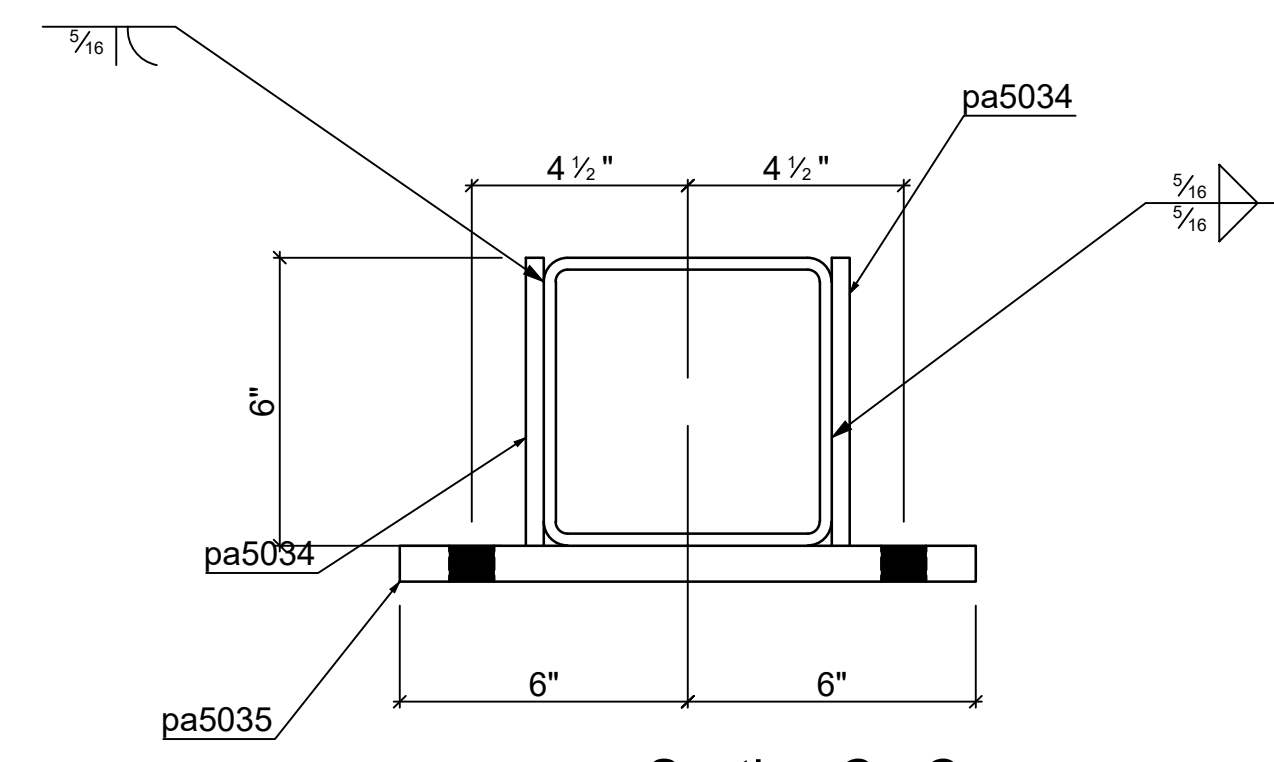
4 - **Ba501** HSS6X6X1/4
 d=6" b=6" t=1/4" w=1/4" k=
 Grid reference



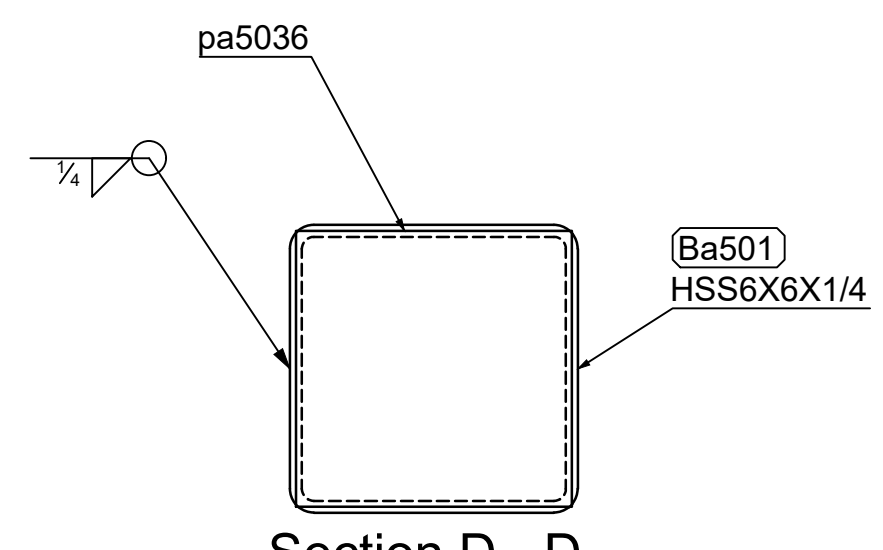
Section A - A



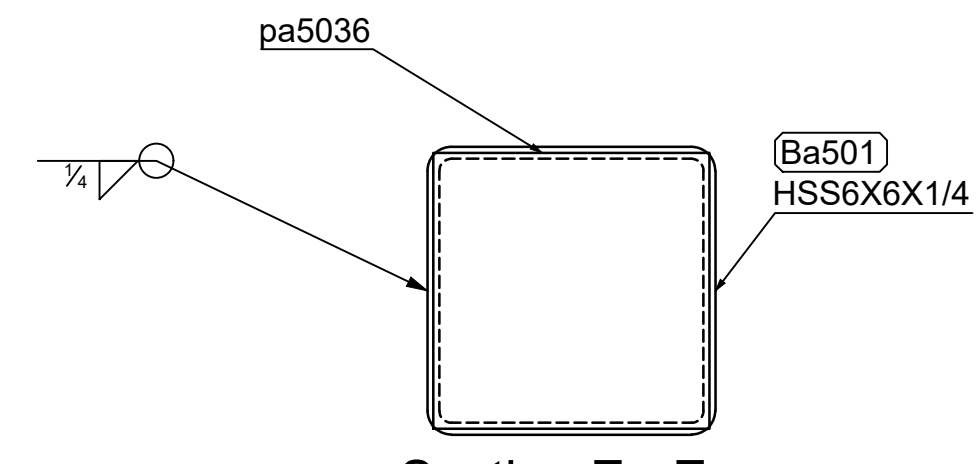
Section B - B



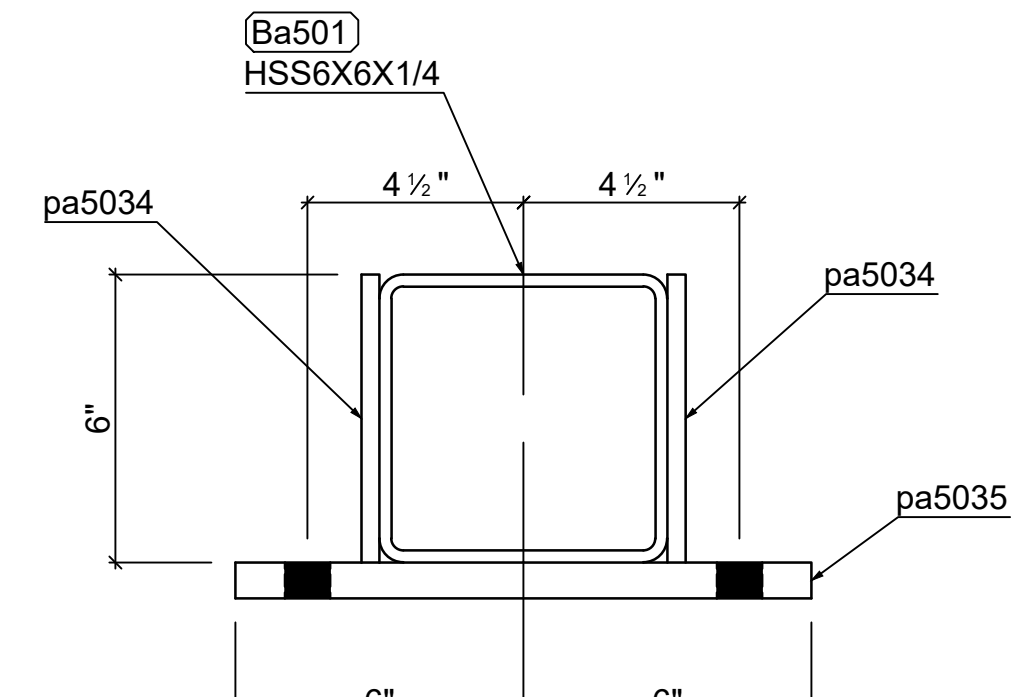
Section C - C



Section D - D




Section E - E



Section F - F

REV.	Date	BY	Description
A	3/29/2023	MJW	ISSUED FOR APPROVAL
B	4/20/2023	MJW	REVISED FOR APPROVAL
C	6/6/2023	MJW	REVISED FOR APPROVAL

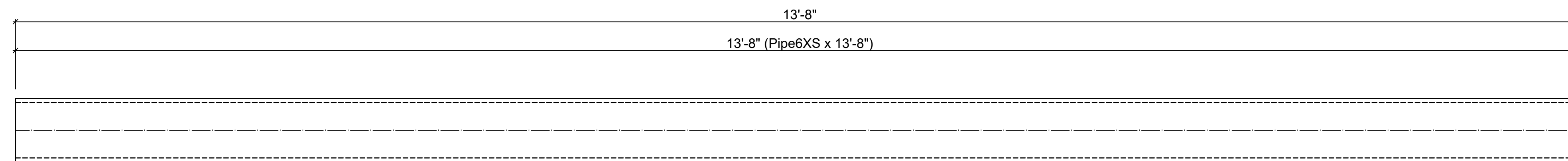


STF IRON INC.
 647 GALAXY WAY, MODESTO CA. 95356
 TEL: (209) 874-6140 LICENSE #: 1088997

STEEL SCOPE: DAVIS CAR WASH
 PROJ. / CLIENT: STF IRON
 BUILDING:
 LOCATION: 480 MACE BLVD. DAVIS, CA
 DATE: DATE STATUS: Not Set
 DRAWN BY: MJW JOB NO: SHEET NO: 501 REV: C
 CHECKED BY: KW

Quantity	Description	Length
32	7/8" A325	0'-2 3/4"

Mark	Quantity	Description	Length	Grade	Part weight	Total weight
Ba502	2					
Ba502	2	Pipe6XS	15'-8"	A53	448.12	896.25
	2				448.12	896.25
	2				TOTAL:	896.25




2 - **Ba502** Pipe6XS

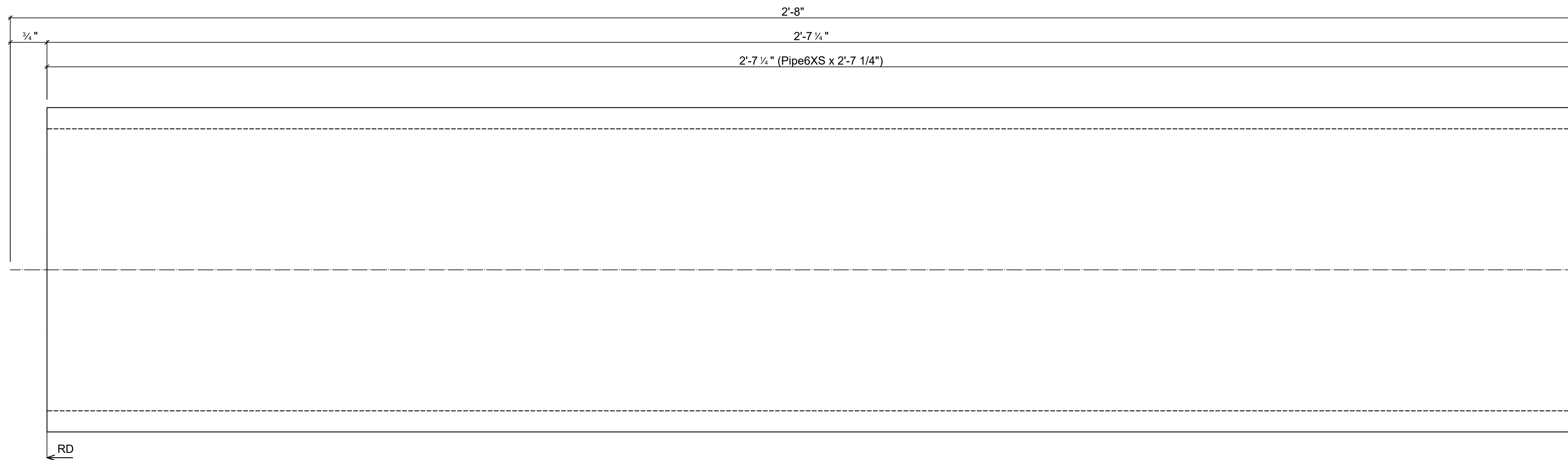
d=6 5/8" b=6 5/8" t= w= 7/16" k=

Grid reference

REV.	Date	BY	Description
A	3/29/2023	MJW	ISSUED FOR APPROVAL
B	4/20/2023	MJW	REVISED FOR APPROVAL
C	6/6/2023	MJW	REVISED FOR APPROVAL

	<h1>STF IRON INC.</h1>		
	647 GALAXY WAY, MODESTO CA. 95356 TEL: (209) 874-6140 LICENSE #: 1088997		
STEEL SCOPE: DAVIS CAR WASH			
PROJ. / CLIENT: STF IRON			
BUILDING:			
LOCATION: 480 MACE BLVD. DAVIS, CA			
DATE:	DATE	STATUS: Not Set	
DRAWN BY:	MJW	JOB NO:	SHEET NO: 502
CHECKED BY:	KW		REV: C


Mark	Quantity	Description	Length	Grade	Part weight	Total weight
Bb503	1					
Bb503	1	Pipe6XS	2'-7 1/4"	A53	74.48	74.48
	1				74.48	74.48
	1				TOTAL:	74.48



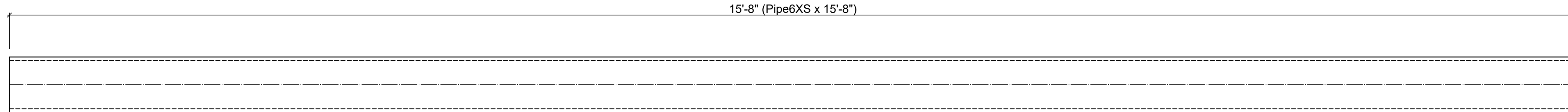
1 - **Bb503** Pipe6XS
 d=6 5/8" b=6 5/8" t= w= 7/16" k=

Grid reference

REV.	Date	BY	Description
A	3/29/2023	MJW	ISSUED FOR APPROVAL
B	4/20/2023	MJW	REVISED FOR APPROVAL
C	6/6/2023	MJW	REVISED FOR APPROVAL

	STF IRON INC. 647 GALAXY WAY, MODESTO CA. 95356 TEL: (209) 874-6140 LICENSE #: 1088997		
	STEEL SCOPE: DAVIS CAR WASH PROJ. / CLIENT: STF IRON BUILDING:		
LOCATION: 480 MACE BLVD. DAVIS, CA		DATE: DATE STATUS: Not Set	
DRAWN BY: MJW	JOB NO:	SHEET NO: 503	REV: C
CHECKED BY: KW			

Mark	Quantity	Description	Length	Grade	Part weight	Total weight
Ba504	1					
Ba504	1	Pipe6XS	15'-8"	A53	448.12	448.12
	1				448.12	448.12
	1				TOTAL:	448.12




1 - **Ba504** Pipe6XS

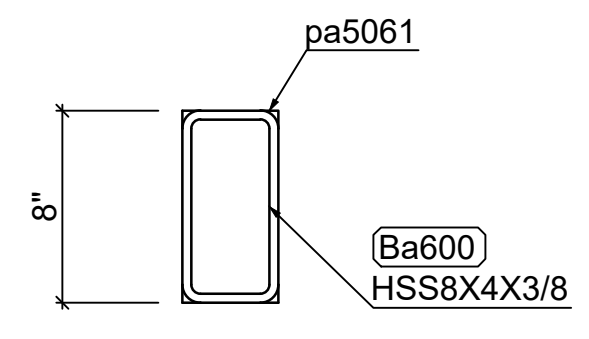
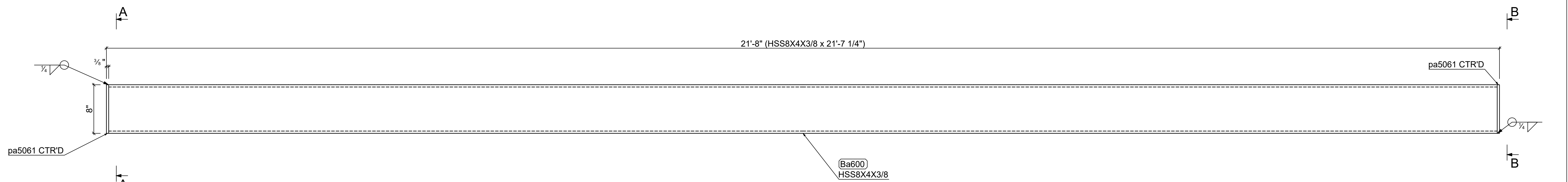
d=6 5/8" b=6 5/8" t= w= 7/16" k=

Grid reference

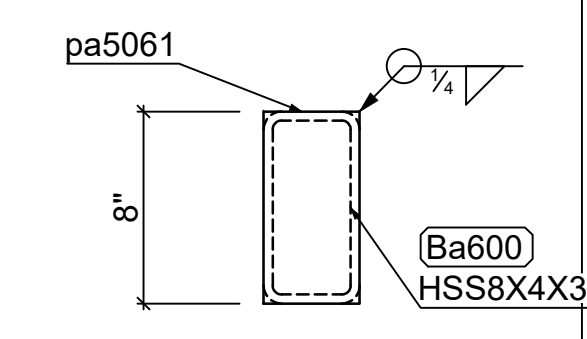
REV.	Date	BY	Description
A	3/29/2023	MJW	ISSUED FOR APPROVAL
B	4/20/2023	MJW	REVISED FOR APPROVAL
C	6/6/2023	MJW	REVISED FOR APPROVAL

	<h1>STF IRON INC.</h1>		
	647 GALAXY WAY, MODESTO CA. 95356 TEL: (209) 874-6140 LICENSE #: 1088997		
STEEL SCOPE: DAVIS CAR WASH			
PROJ. / CLIENT: STF IRON			
BUILDING:			
LOCATION: 480 MACE BLVD. DAVIS, CA			
DATE:	DATE	STATUS: Not Set	
DRAWN BY:	MJW	JOB NO:	SHEET NO: 504
CHECKED BY:	KW		REV: C

Mark	Quantity	Description	Length	Grade	Part weight	Total weight
Ba600	2					
Ba600	2	HSS8X4X3/8	21'-7 1/4"	A500 GR.C	593.68	1187.36
pa5061	4	PL 3/8"x4"x0'-8"	0'-8"	A36	3.40	13.61
	6				600.49	1200.98
	6				TOTAL:	1200.98



Section A - A



Section B - B

2 - **Ba600** HSS8X4X3/8
 d=8" b=4" t=3/8" w=3/8" k=
 Grid reference

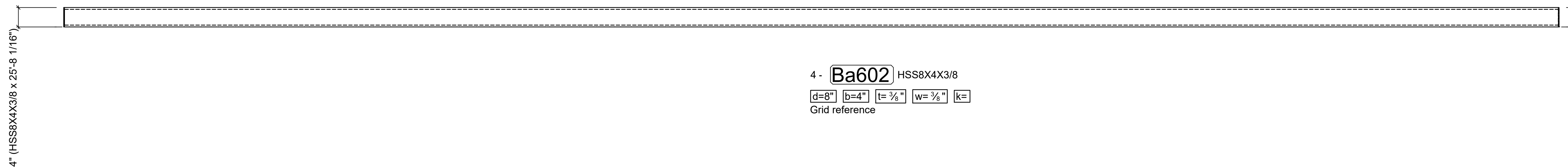
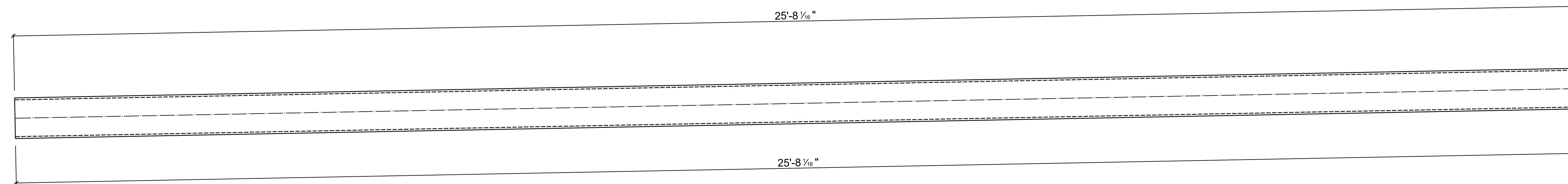
REV.	Date	BY	Description
A	3/29/2023	MJW	ISSUED FOR APPROVAL
B	4/20/2023	MJW	REVISED FOR APPROVAL
C	6/6/2023	MJW	REVISED FOR APPROVAL

STF IRON INC.

647 GALAXY WAY, MODESTO CA. 95356
 TEL: (209) 874-6140 LICENSE #: 1088997

STEEL SCOPE: DAVIS CAR WASH	
PROJ. / CLIENT: STF IRON	
BUILDING:	
LOCATION: 480 MCACE BLVD. DAVIS, CA	
DATE: DATE	STATUS: Not Set
DRAWN BY: MJW	JOB NO: SHEET NO: 600
CHECKED BY: KW	REV: C

Mark	Quantity	Description	Length	Grade	Part weight	Total weight
Ba602	4					
Ba602	4	HSS8X4X3/8	25'-8 1/16"	A500 GR.C	705.45	2821.80
	4				705.45	2821.80
	4				TOTAL:	2821.80




4 - **Ba602** HSS8X4X3/8

d=8" b=4" t=3/8" w=3/8" k=

Grid reference

REV.	Date	BY	Description
A	3/29/2023	MJW	ISSUED FOR APPROVAL
B	4/20/2023	MJW	REVISED FOR APPROVAL
C	6/6/2023	MJW	REVISED FOR APPROVAL



STF IRON INC.

647 GALAXY WAY, MODESTO CA. 95356
TEL: (209) 874-6140 LICENSE #: 1088997

STEEL SCOPE: DAVIS CAR WASH

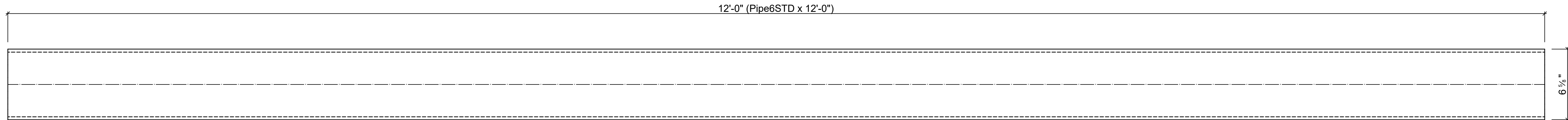
PROJ. / CLIENT: STF IRON

BUILDING:

LOCATION: 480 MCACE BLVD. DAVIS, CA

DATE: DATE	STATUS: Not Set
DRAWN BY: MJW	JOB NO:
CHECKED BY: KW	SHEET NO: 602
	REV: C

Mark	Quantity	Description	Length	Grade	Part weight	Total weight
Ba603	3					
Ba603	3	Pipe6STD	12'-0"	A53	227.93	683.80
	3				227.93	683.80
	3				TOTAL:	683.80




3 - **Ba603** Pipe6STD

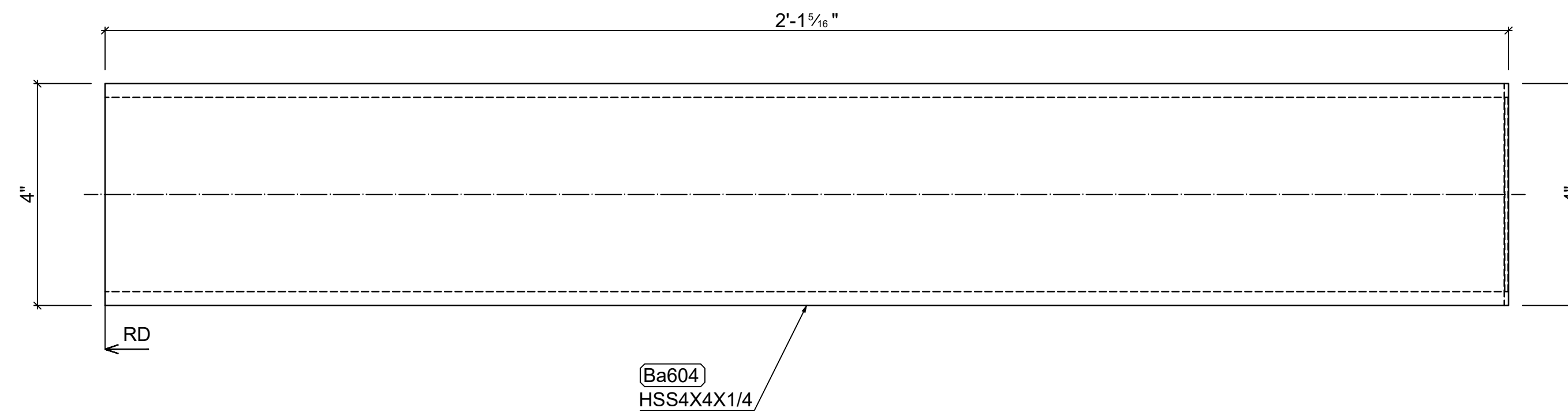
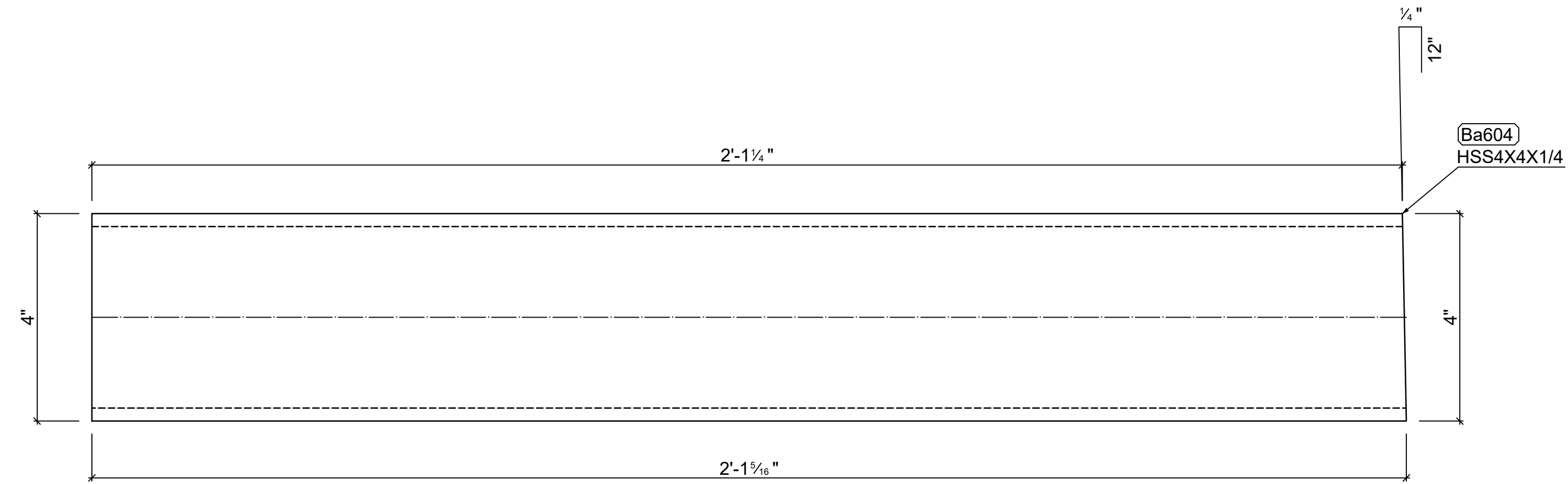
d=6 5/8" b=6 5/8" t= w= 1/4" k=

Grid reference

REV.	Date	BY	Description
A	3/29/2023	MJW	ISSUED FOR APPROVAL
B	4/20/2023	MJW	REVISED FOR APPROVAL
C	6/6/2023	MJW	REVISED FOR APPROVAL

	<h1>STF IRON INC.</h1>		
	647 GALAXY WAY, MODESTO CA. 95356 TEL: (209) 874-6140 LICENSE #: 1088997		
STEEL SCOPE: DAVIS CAR WASH			
PROJ. / CLIENT: STF IRON			
BUILDING:			
LOCATION: 480 MCACE BLVD. DAVIS, CA			
DATE:	DATE	STATUS: Not Set	
DRAWN BY:	MJW	JOB NO:	SHEET NO: 603
CHECKED BY:	KW		REV: C

Mark	Quantity	Description	Length	Grade	Part weight	Total weight
Ba604	2					
Ba604	2	HSS4X4X1/4	2'-1 5/16"	A500 GR.C	25.77	51.53
					25.77	51.53
	2				TOTAL:	51.53



2 - **Ba604** HSS4X4X1/4

d=4" b=4" t= 1/4" w= 1/4" k=

Grid reference

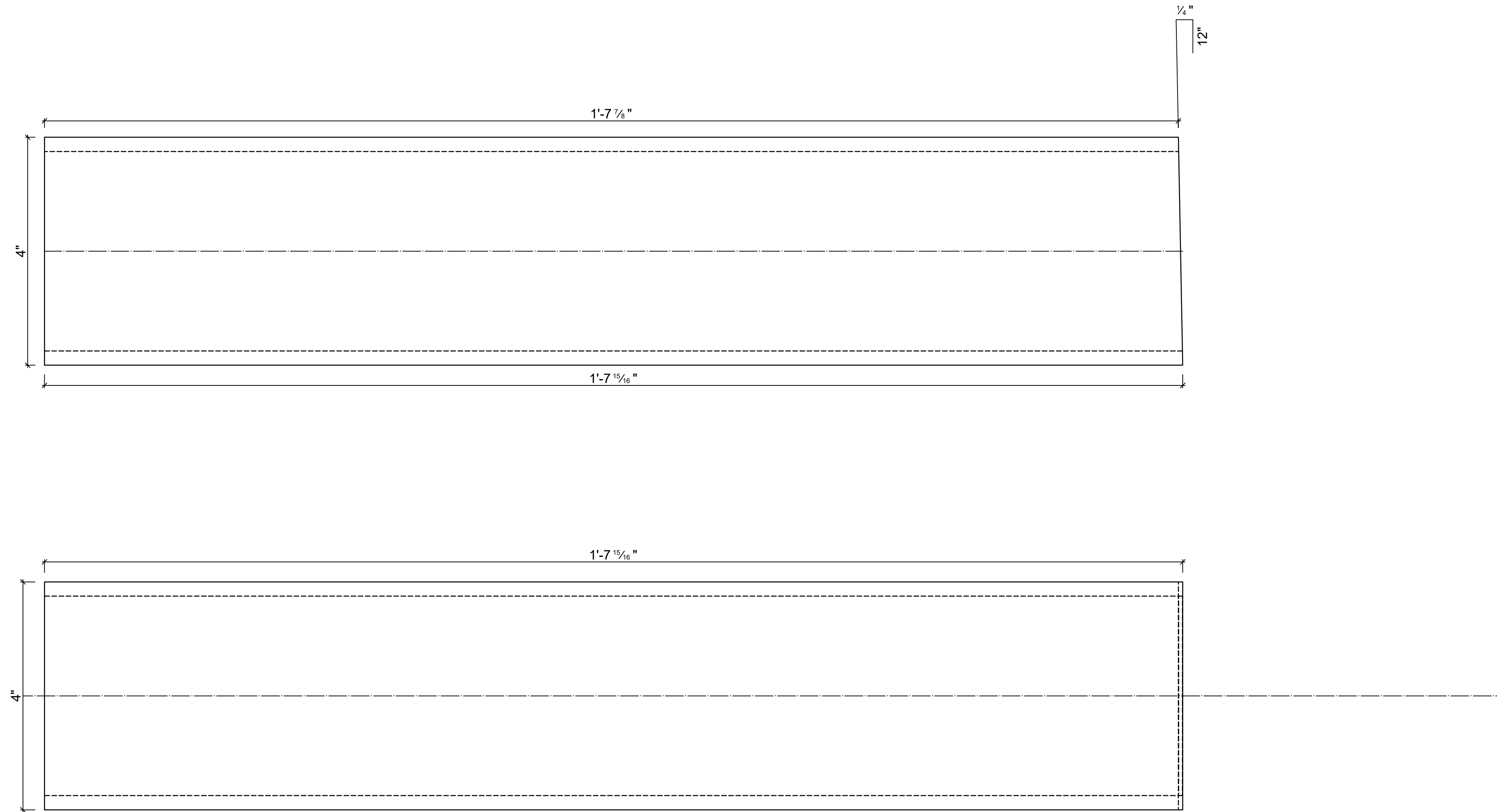
REV.	Date	BY	Description
A	3/29/2023	MJW	ISSUED FOR APPROVAL
B	4/20/2023	MJW	REVISED FOR APPROVAL
C	6/6/2023	MJW	REVISED FOR APPROVAL

STF IRON INC.

647 GALAXY WAY, MODESTO CA. 95356
TEL: (209) 874-6140 LICENSE #: 1088997

STEEL SCOPE: DAVIS CAR WASH	
PROJ. / CLIENT: STF IRON	
BUILDING:	
LOCATION: 480 MCACE BLVD. DAVIS, CA	
DATE: DATE	STATUS: Not Set
DRAWN BY: MJW	JOB NO: SHEET NO: 604 REV: C
CHECKED BY: KW	

Mark	Quantity	Description	Length	Grade	Part weight	Total weight
Ba605	2					
Ba605	2	HSS4X4X1/4	1'-7 15/16"	A500 GR.C	20.32	40.64
					20.32	40.64
	2				TOTAL:	40.64




2 - **Ba605** HSS4X4X1/4

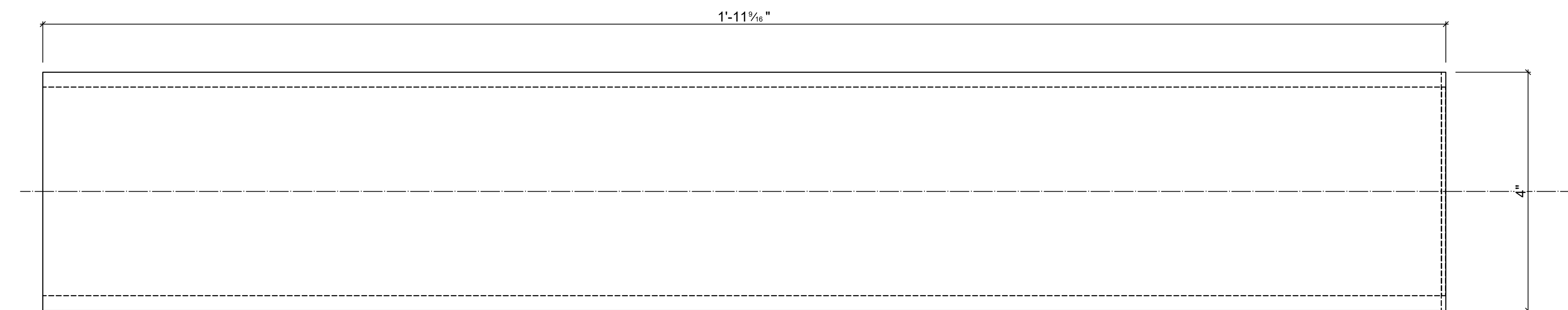
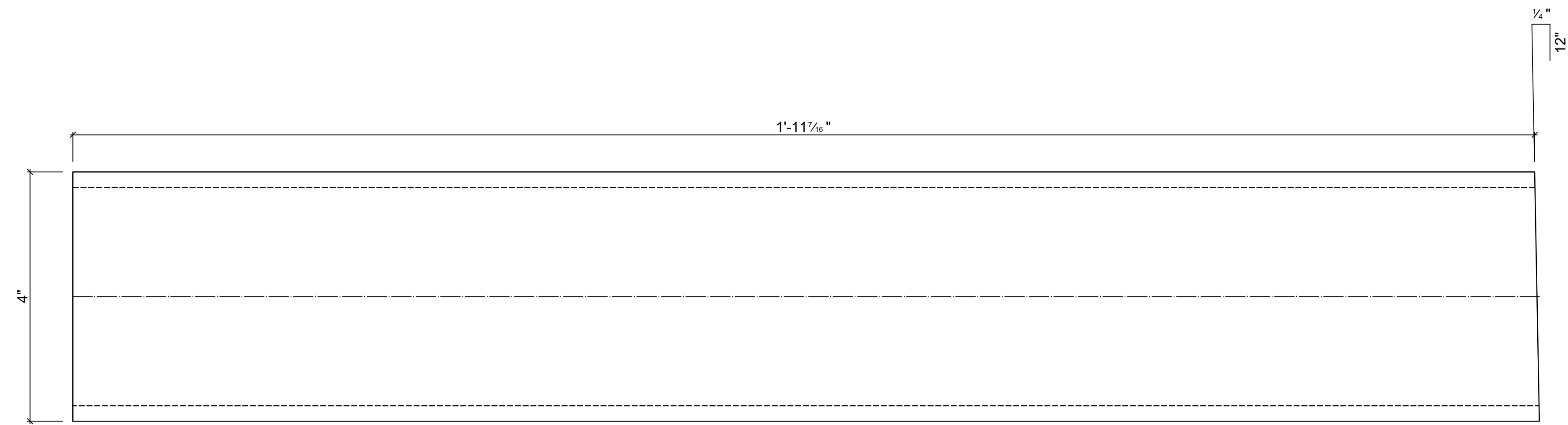
d=4" b=4" t=1/4" w=1/4" k=

Grid reference

REV.	Date	BY	Description
A	3/29/2023	MJW	ISSUED FOR APPROVAL
B	4/20/2023	MJW	REVISED FOR APPROVAL
C	6/6/2023	MJW	REVISED FOR APPROVAL


	<h1>STF IRON INC.</h1>		
	647 GALAXY WAY, MODESTO CA. 95356 TEL: (209) 874-6140 LICENSE #: 1088997		
STEEL SCOPE: DAVIS CAR WASH			
PROJ. / CLIENT: STF IRON			
BUILDING:			
LOCATION: 480 MCACE BLVD. DAVIS, CA			
DATE:	DATE	STATUS: Not Set	
DRAWN BY:	MJW	JOB NO:	SHEET NO: 605
CHECKED BY:	KW		REV: C

Mark	Quantity	Description	Length	Grade	Part weight	Total weight
Ba606	2					
Ba606	2	HSS4X4X1/4	1'-11 9/16"	A500 GR C	23.95	47.90
	2				23.95	47.90
					TOTAL:	47.90



2 - **Ba606** HSS4X4X1/4
 d=4" b=4" t=1/4" w=1/4" k=
 Grid reference

REV.	Date	BY	Description
A	3/29/2023	MJW	ISSUED FOR APPROVAL
B	4/20/2023	MJW	REVISED FOR APPROVAL
C	6/6/2023	MJW	REVISED FOR APPROVAL



STF IRON INC.

647 GALAXY WAY, MODESTO CA. 95356
 TEL: (209) 874-6140 LICENSE #: 1088997

STEEL SCOPE: DAVIS CAR WASH

PROJ. / CLIENT: STF IRON

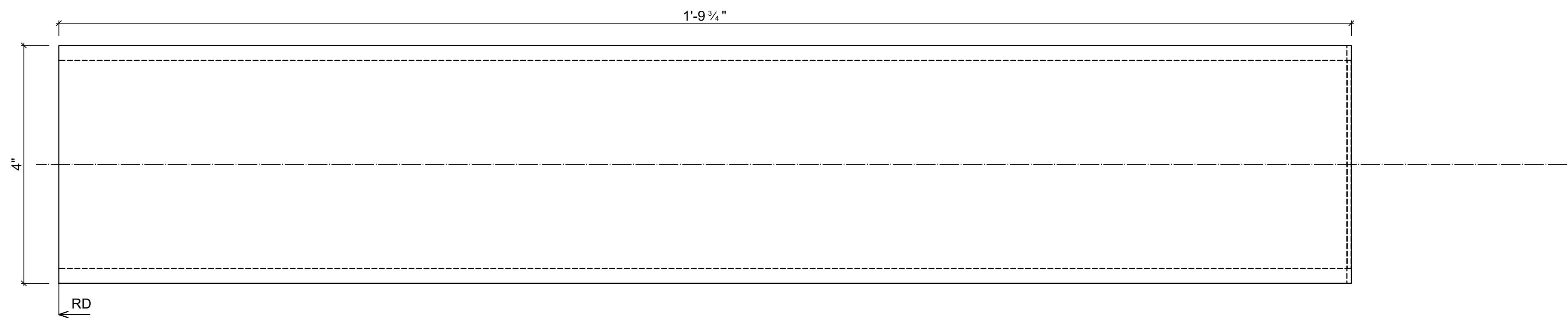
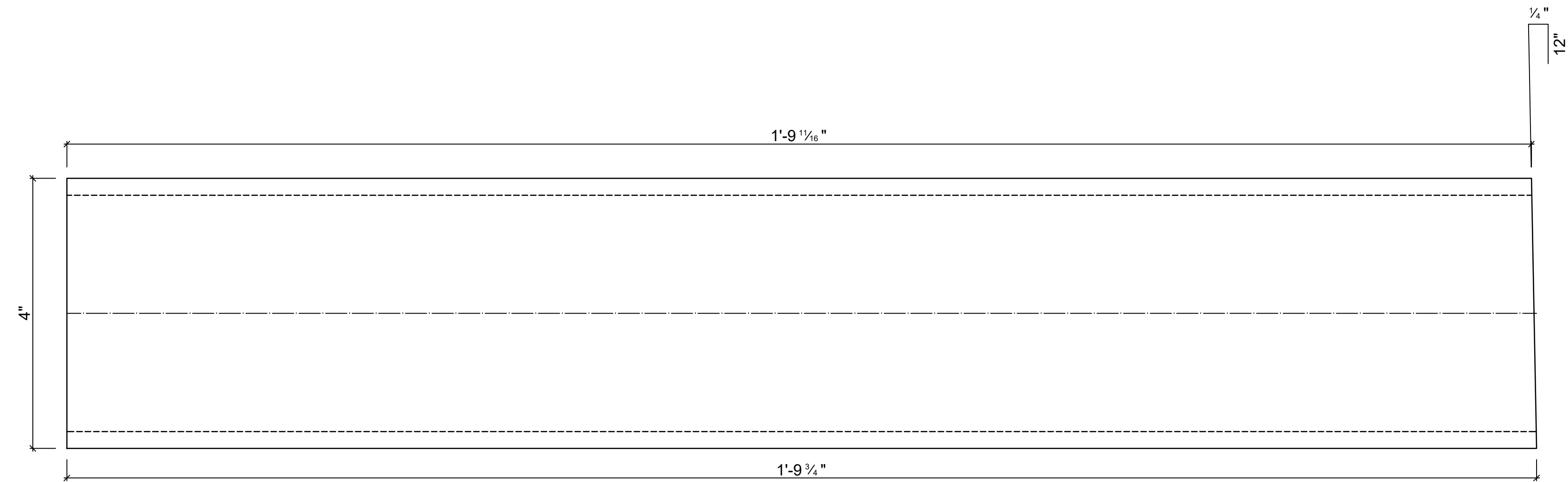
BUILDING:

LOCATION: 480 MCACE BLVD. DAVIS, CA

DATE: DATE STATUS: Not Set


DRAWN BY: MJW	JOB NO:	SHEET NO: 606	REV: C
CHECKED BY: KW			

Mark	Quantity	Description	Length	Grade	Part weight	Total weight
Ba607	2					
Ba607	2	HSS4X4X1/4	1'-9 3/4"	A500 GR C	22.13	44.27
	2				22.13	44.27
	2				TOTAL:	44.27



2 - **Ba607** HSS4X4X1/4
 [d=4"] [b=4"] [t= 1/4"] [w= 1/4"] [k=]
 Grid reference

REV.	Date	BY	Description
A	3/29/2023	MJW	ISSUED FOR APPROVAL
B	4/20/2023	MJW	REVISED FOR APPROVAL
C	6/6/2023	MJW	REVISED FOR APPROVAL



STF IRON INC.

647 GALAXY WAY, MODESTO CA. 95356
 TEL: (209) 874-6140 LICENSE #: 1088997

STEEL SCOPE: DAVIS CAR WASH

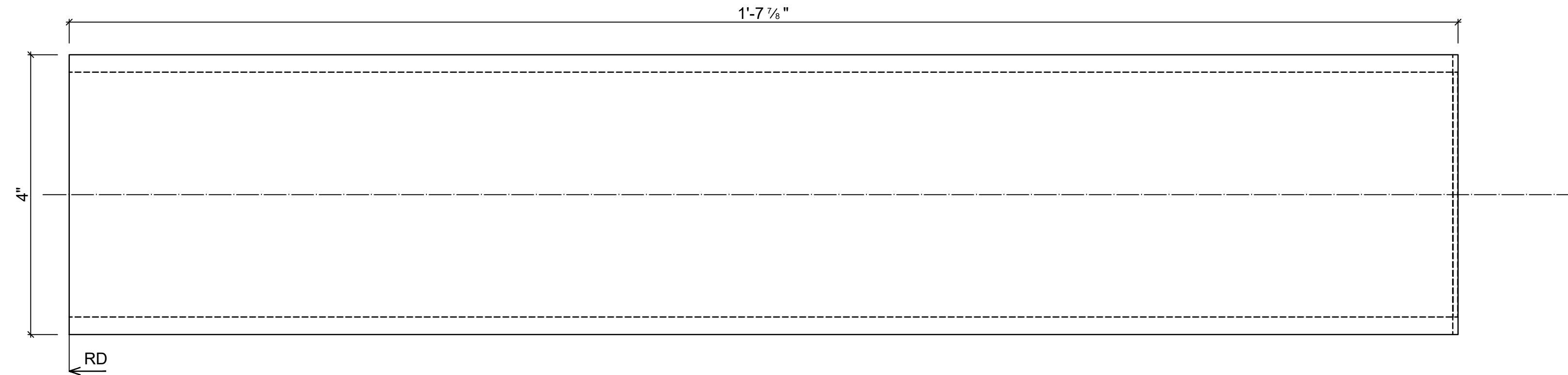
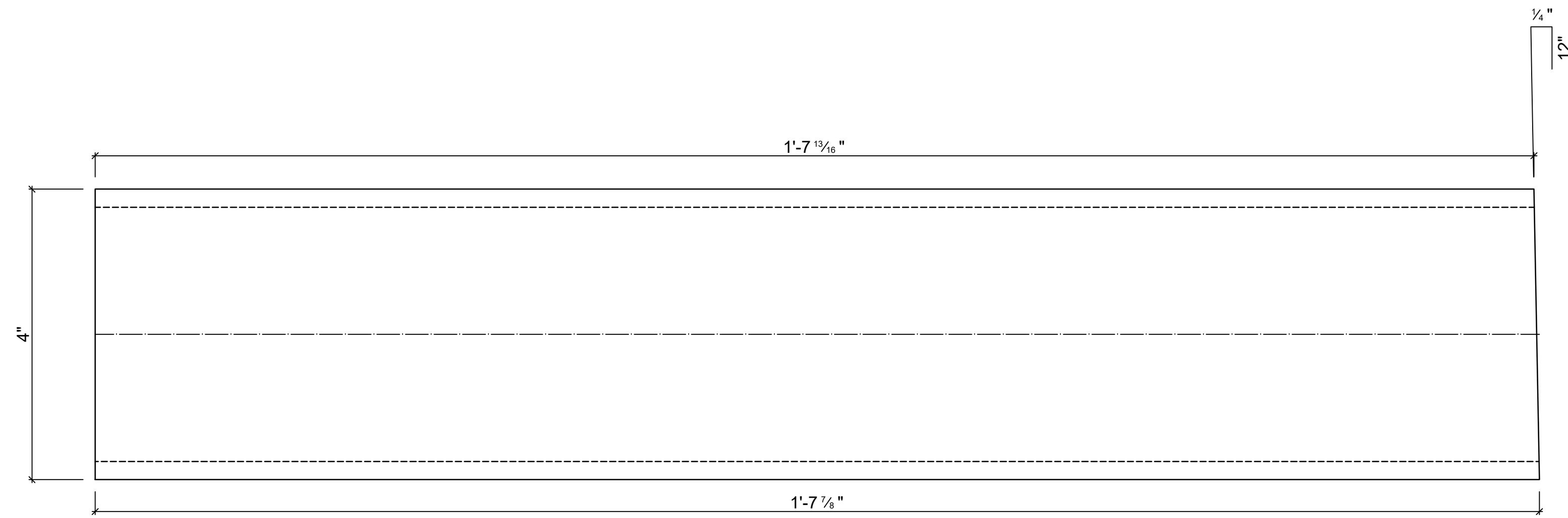
PROJ. / CLIENT: STF IRON

BUILDING:

LOCATION: 480 MCACE BLVD. DAVIS, CA

DATE: DATE	STATUS: Not Set
DRAWN BY: MJW	JOB NO: SHEET NO: 607 REV: C
CHECKED BY: KW	


Mark	Quantity	Description	Length	Grade	Part weight	Total weight
Ba608	1					
Ba608	1	HSS4X4X1/4	1'-7 7/8"	A500 GR.C	20.23	20.23
	1				20.23	20.23
TOTAL:					20.23	



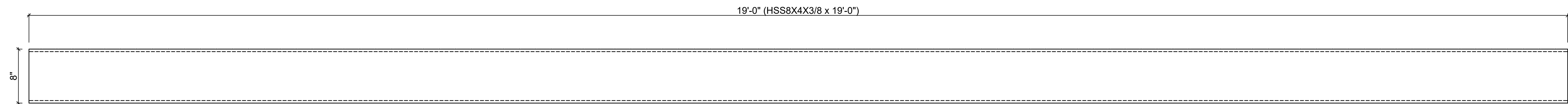
1 - **Ba608** HSS4X4X1/4

d=4" b=4" t=1/4" w=1/4" k=
Grid reference

REV.	Date	BY	Description
A	3/29/2023	MJW	ISSUED FOR APPROVAL
B	4/20/2023	MJW	REVISED FOR APPROVAL
C	6/6/2023	MJW	REVISED FOR APPROVAL

	STF IRON INC.	
	647 GALAXY WAY, MODESTO CA. 95356 TEL: (209) 874-6140 LICENSE #: 1088997	
STEEL SCOPE: DAVIS CAR WASH		
PROJ. / CLIENT: STF IRON		
BUILDING:		
LOCATION: 480 MCACE BLVD. DAVIS, CA		
DATE:	DATE	STATUS: Not Set
DRAWN BY:	MJW	JOB NO:
CHECKED BY:	KW	SHEET NO: 608
		REV: C

Mark	Quantity	Description	Length	Grade	Part weight	Total weight
Ba610	1					
Ba610	1	HSS8X4X3/8	19'-0"	A500 GR.C	522.12	522.12
	1				522.12	522.12
	1				TOTAL:	522.12




1 - **Ba610** HSS8X4X3/8

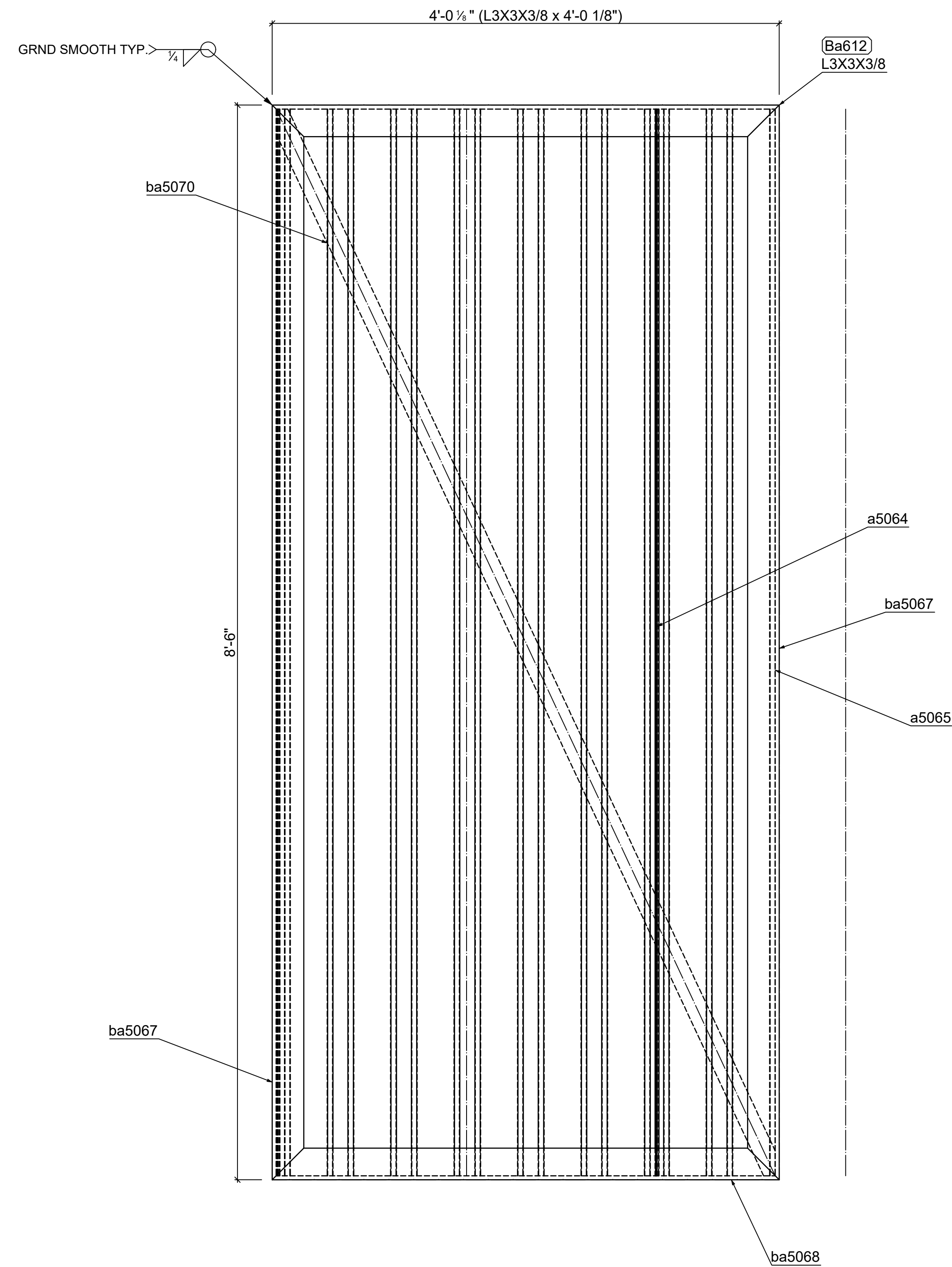
d=8" b=4" t=3/8" w=3/8" k=

Grid reference

REV.	Date	BY	Description
A	3/29/2023	MJW	ISSUED FOR APPROVAL
B	4/20/2023	MJW	REVISED FOR APPROVAL
C	6/6/2023	MJW	REVISED FOR APPROVAL


	<h1>STF IRON INC.</h1>		
	647 GALAXY WAY, MODESTO CA. 95356 TEL: (209) 874-6140 LICENSE #: 1088997		
STEEL SCOPE: DAVIS CAR WASH			
PROJ. / CLIENT: STF IRON			
BUILDING:			
LOCATION: 480 MCACE BLVD. DAVIS, CA			
DATE:	DATE	STATUS: Not Set	
DRAWN BY:	MJW	JOB NO:	SHEET NO: 610
CHECKED BY:	KW		REV: C

Mark	Quantity	Description	Length	Grade	Part weight	Total weight
Ba612	1					
Ba612	2	L3X3X3/8	4'-0 1/8"	A36	28.87	57.75
a5064	1	Channel P 3615x1 S2	8'-5 1/4"	A36	79.57	79.57
a5065	1	Channel P 3615x1 S2	8'-5 1/4"	A36	79.57	79.57
ba5067	2	L3X3X3/8	8'-6"	A36	61.20	122.40
ba5070	1	Fl. 12X2	9'-3 13/16"	A36	31.70	31.70
	7				371.00	371.00
		TOTAL:				371.00

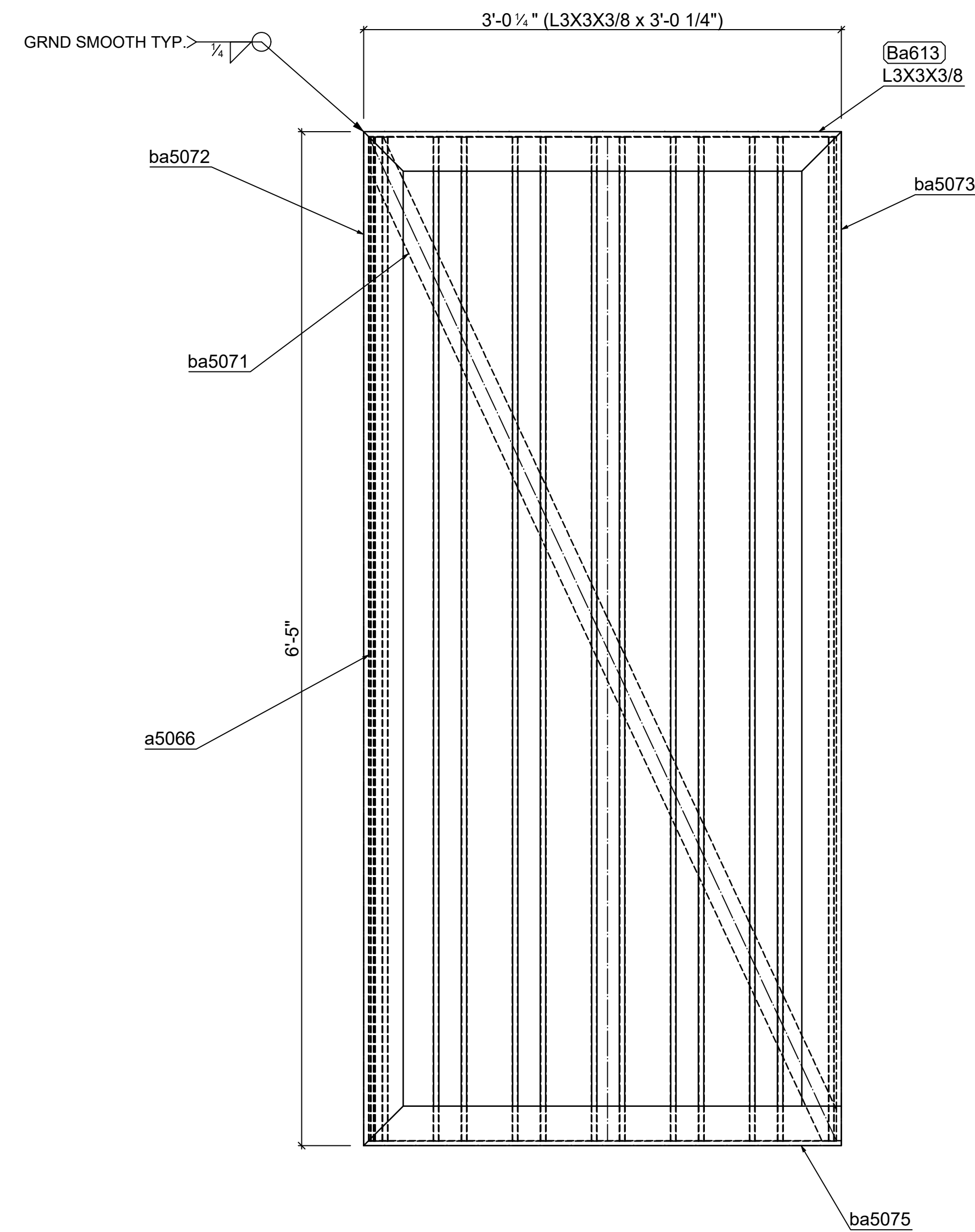


1 - **Ba612** L3X3X3/8
Grid reference

REV.	Date	BY	Description
A	4/18/2023		
B	4/20/2023	MJW	REVISED FOR APPROVAL
C	6/6/2023	MJW	REVISED FOR APPROVAL


	<h1>STF IRON INC.</h1>	
	647 GALAXY WAY, MODESTO CA. 95356 TEL: (209) 874-6140 LICENSE #: 1088997	
STEEL SCOPE: DAVIS CAR WASH		
PROJ. / CLIENT: STF IRON		
BUILDING:		
LOCATION: 480 MCACE BLVD. DAVIS, CA		
DATE:	DATE	STATUS: Not Set
DRAWN BY:	MJW	JOB NO:
CHECKED BY:	KW	SHEET NO: 612
		REV: C

Mark	Quantity	Description	Length	Grade	Part weight	Total weight
Ba613	1					
Ba613	1	L3X3X3/8	3'-0 1/4"	A36	21.75	21.75
Ba5072	1	L3X3X3/8	6'-5"	A36	46.19	46.19
Ba5073	1	L3X3X3/8	6'-5"	A36	44.39	44.39
a5066	1	FL 12X4	6'-4 1/4"	A36	40.12	40.12
Ba5071	1	FL 12X2	7'-0 1/8"	A36	23.85	23.85
Ba5075	1	L3X3X3/8	3'-0 1/4"	A36	21.75	21.75
	6				198.05	198.05
					TOTAL:	198.05



1 - **Ba613** L3X3X3/8
Grid reference

REV.	Date	BY	Description
A	4/18/2023		
B	4/20/2023	MJW	REVISED FOR APPROVAL
C	6/6/2023	MJW	REVISED FOR APPROVAL



STF IRON INC.
647 GALAXY WAY, MODESTO CA. 95356
TEL: (209) 874-6140 LICENSE #: 1088997

STEEL SCOPE: DAVIS CAR WASH

PROJ. / CLIENT: STF IRON

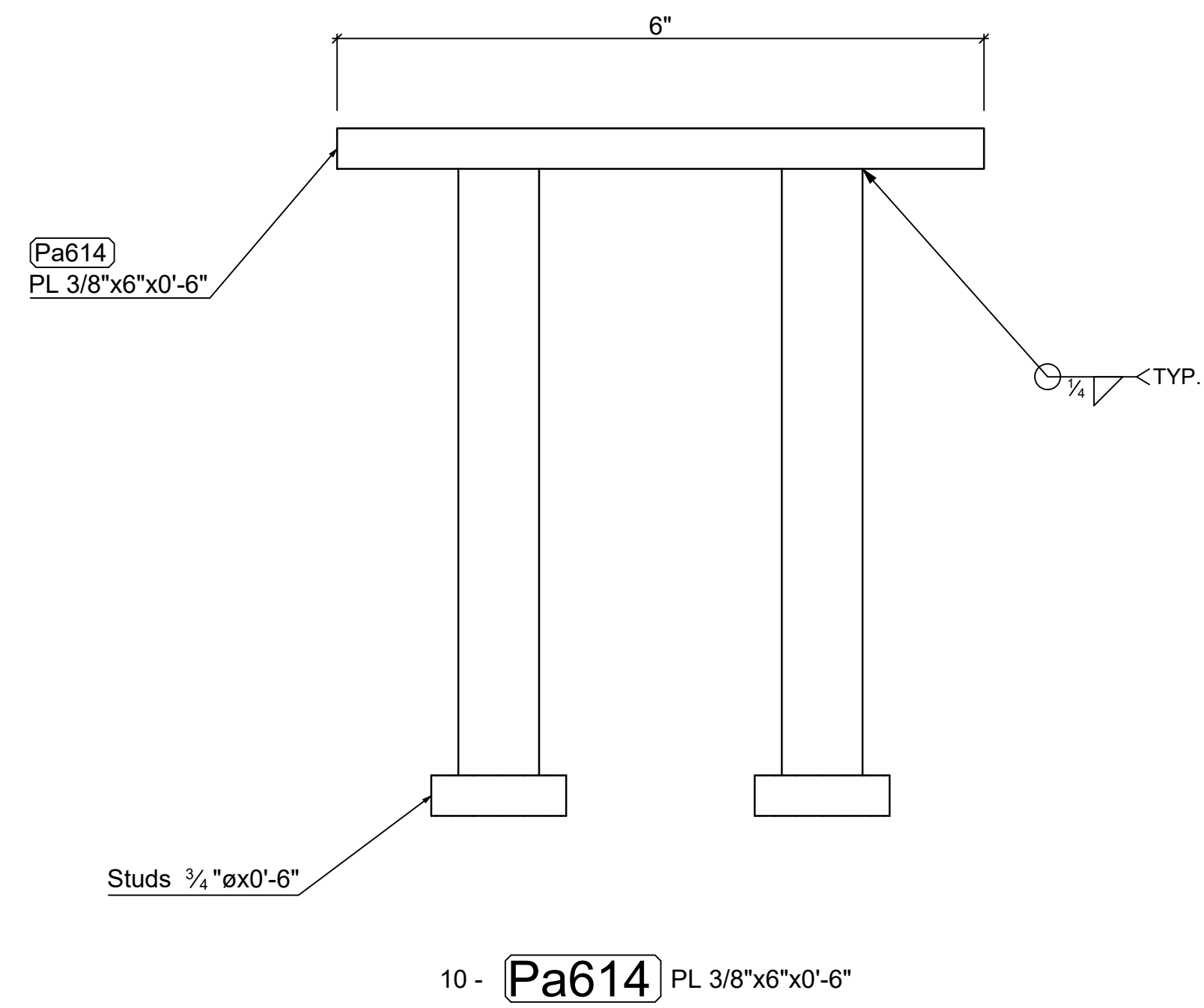
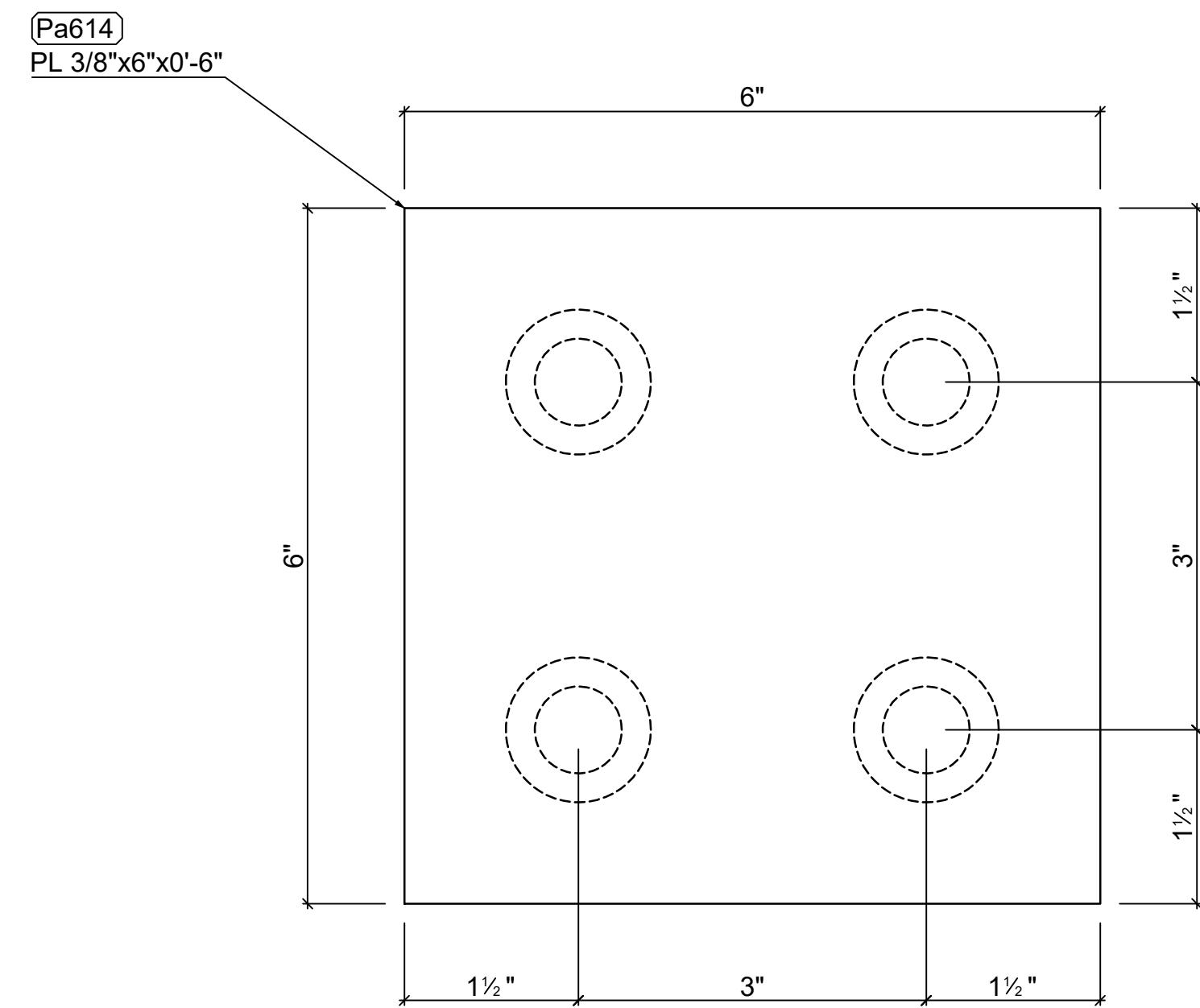
BUILDING:

LOCATION: 480 MCACE BLVD. DAVIS, CA


DATE: DATE STATUS: Not Set

DRAWN BY: MJW	JOB NO:	SHEET NO: 613	REV: C
CHECKED BY: KW			

Mark	Quantity	Description	Length	Grade	Part weight	Total weight
Pa614	10	End Plate				
Pa614	10	PL 3/8"x6"x0'-6"	0'-6"	A36	3.83	38.29
#Internal5080	40	3/4"ø Nelson S3L-Inch	0'-6"	Mild Steel	0.84	33.41
	50				7.17	71.70
	50				TOTAL:	71.70



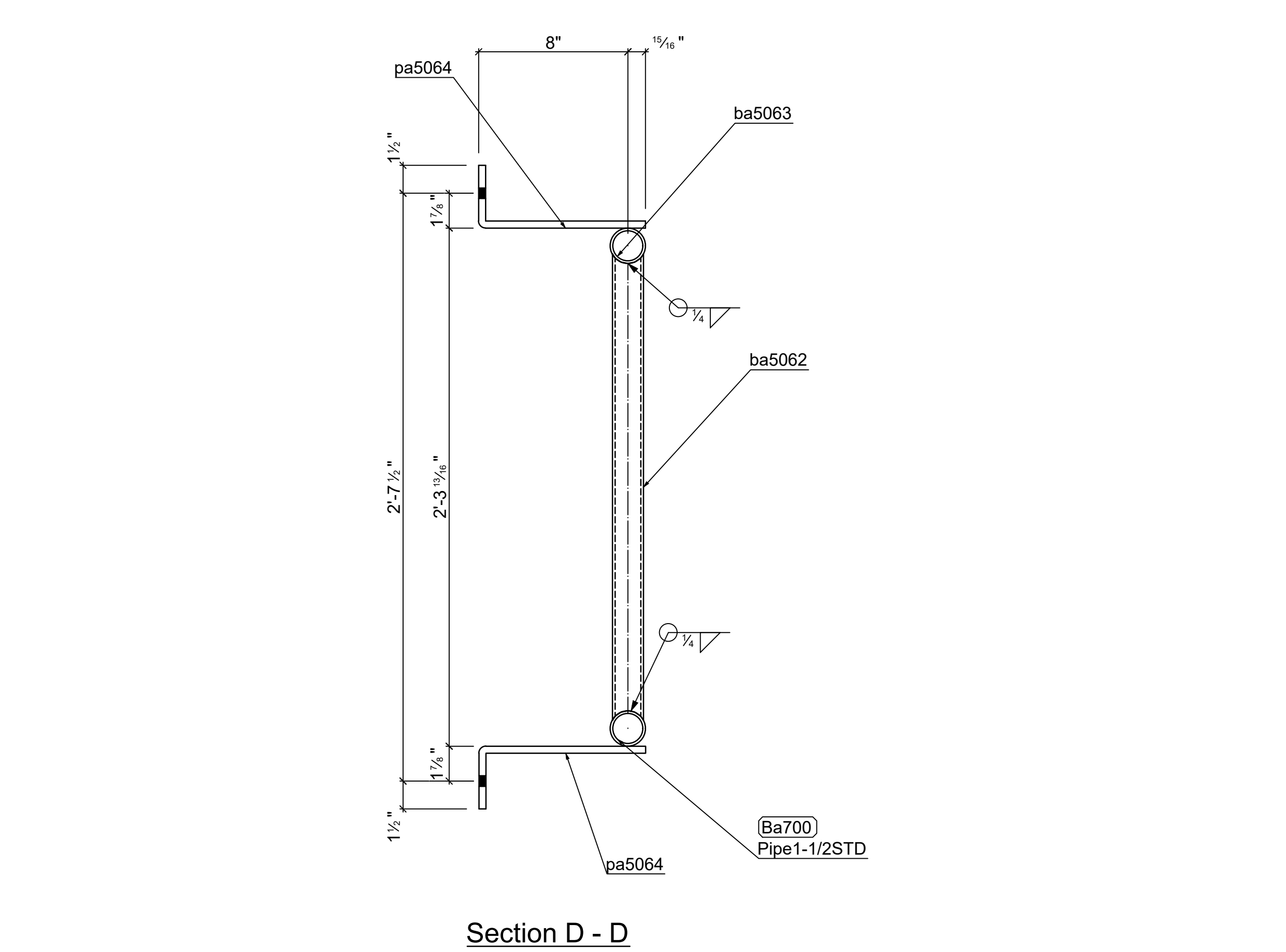
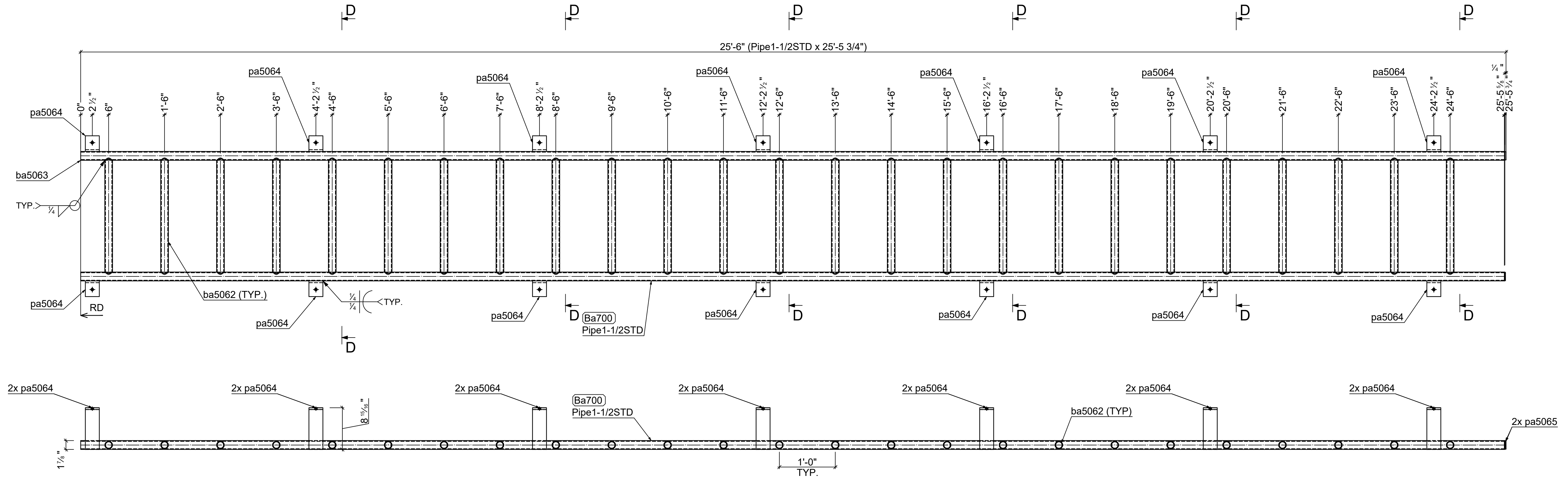
REV.	Date	BY	Description
A	4/18/2023		
B	4/20/2023	MJW	REVISED FOR APPROVAL
C	6/6/2023	MJW	REVISED FOR APPROVAL



STF IRON INC.
647 GALAXY WAY, MODESTO CA. 95356
TEL: (209) 874-6140 LICENSE #: 1088997

STEEL SCOPE: DAVIS CAR WASH
PROJ. / CLIENT: STF IRON
BUILDING:
LOCATION: 480 MCACE BLVD. DAVIS, CA
DATE: DATE STATUS: Not Set
DRAWN BY: MJW JOB NO: SHEET NO: 614 REV: C
CHECKED BY: KW

Mark	Quantity	Description	Length	Grade	Part weight	Total weight
Ba700	1					
Ba700	2	Pipe1-1/2STD	25'-5 3/4"	A53	69.32	138.64
ba5062	25	Pipe1-1/4STD	2'-1"	A53	4.74	118.58
pa5064	14	PL 3/8"x3"x0'-11 9/16"	0'-11 9/16"	A36	3.69	51.66
pa5065	2	PL 1/4"x1-3/4"x0'-1 3/4"	0'-1 3/4"	A36	0.17	0.33
43					309.16	309.16
					TOTAL:	309.16



1 - **Ba700** Pipe1-1/2STD
 d=1 7/8" b=1 7/8" t= w= 1/8" k=
 Grid reference

REV.	Date	BY	Description
A	3/29/2023	MJW	ISSUED FOR APPROVAL
B	4/20/2023	MJW	REVISED FOR APPROVAL
C	6/6/2023	MJW	REVISED FOR APPROVAL

STF IRON INC.

647 GALAXY WAY, MODESTO CA. 95356
 TEL: (209) 874-6140 LICENSE #: 1088997

STEEL SCOPE: DAVIS CAR WASH
 PROJ. / CLIENT: STF IRON
 BUILDING:
 LOCATION: 480 MACE BLVD. DAVIS, CA
 DATE: DATE STATUS: Not Set
 DRAWN BY: MJW JOB NO: SHEET NO: 700 REV: C
 CHECKED BY: KW

Quantity	Description	Length
1	1/2" A325	0'-1 1/4"
13	1/2" A325	0'-1 1/4"