

SAMPLE DRAWINGS

<COMPANY LOGO>

*design concepts
design development
& fine fabrication*

Custom Metal Fabrication

<ADDRESS>

<PHONE NUMBER>

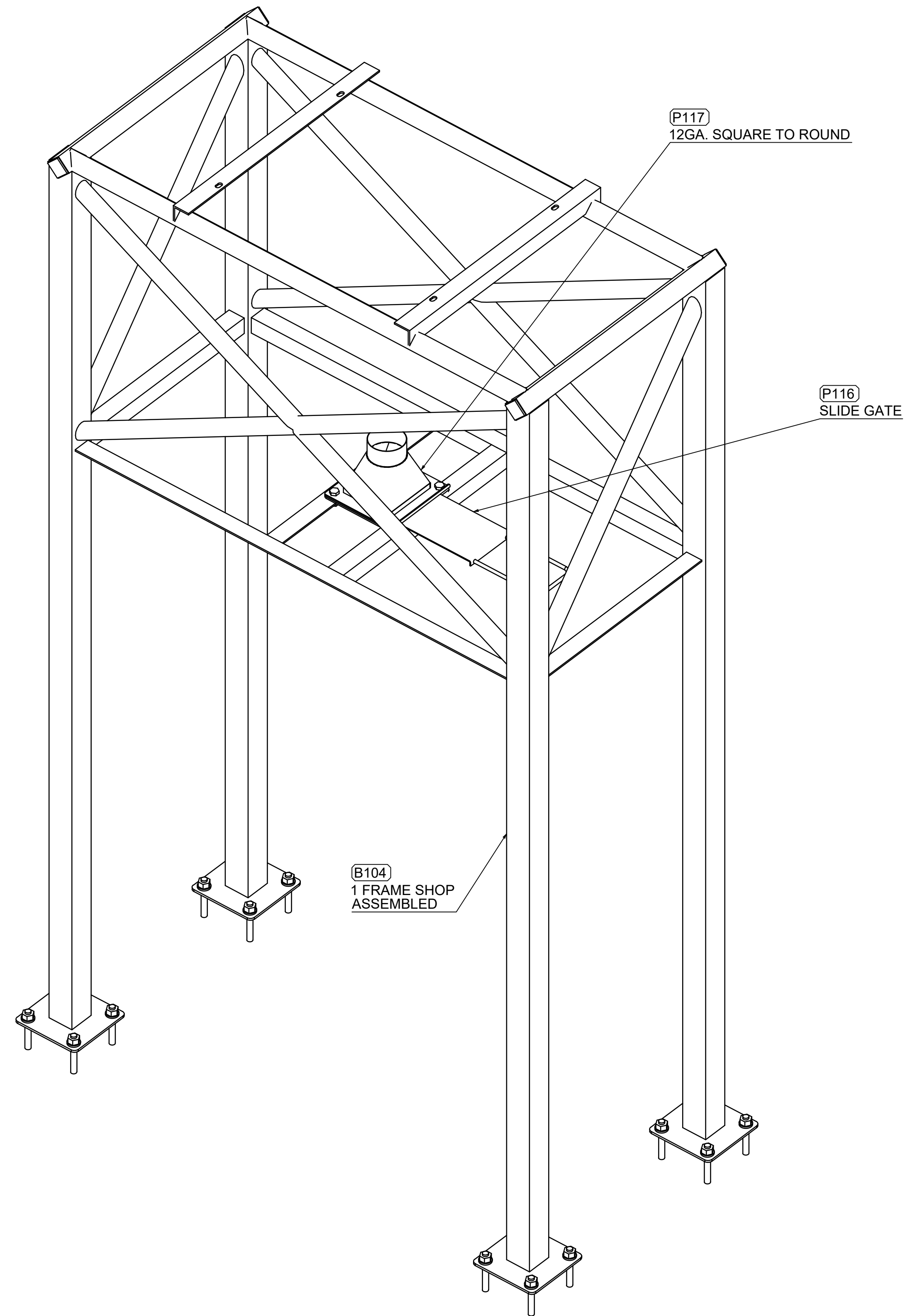
<EMAIL>

Drawing Index

C0.0	Cover Sheet
ISO-1	SOR-CV-003-S1
ISO-2	SOR-CV-001-S1
100	B100
101	B101
102	B102
103	B103
104	B104
105	B105
106	B106
107	B107
108	B108
109	B109
110	B110
111	B111
112	B112
113	B113
114	B114
115	B115
116	B116
117	B117
118	B118
119	B119

<PROJECT NAME>

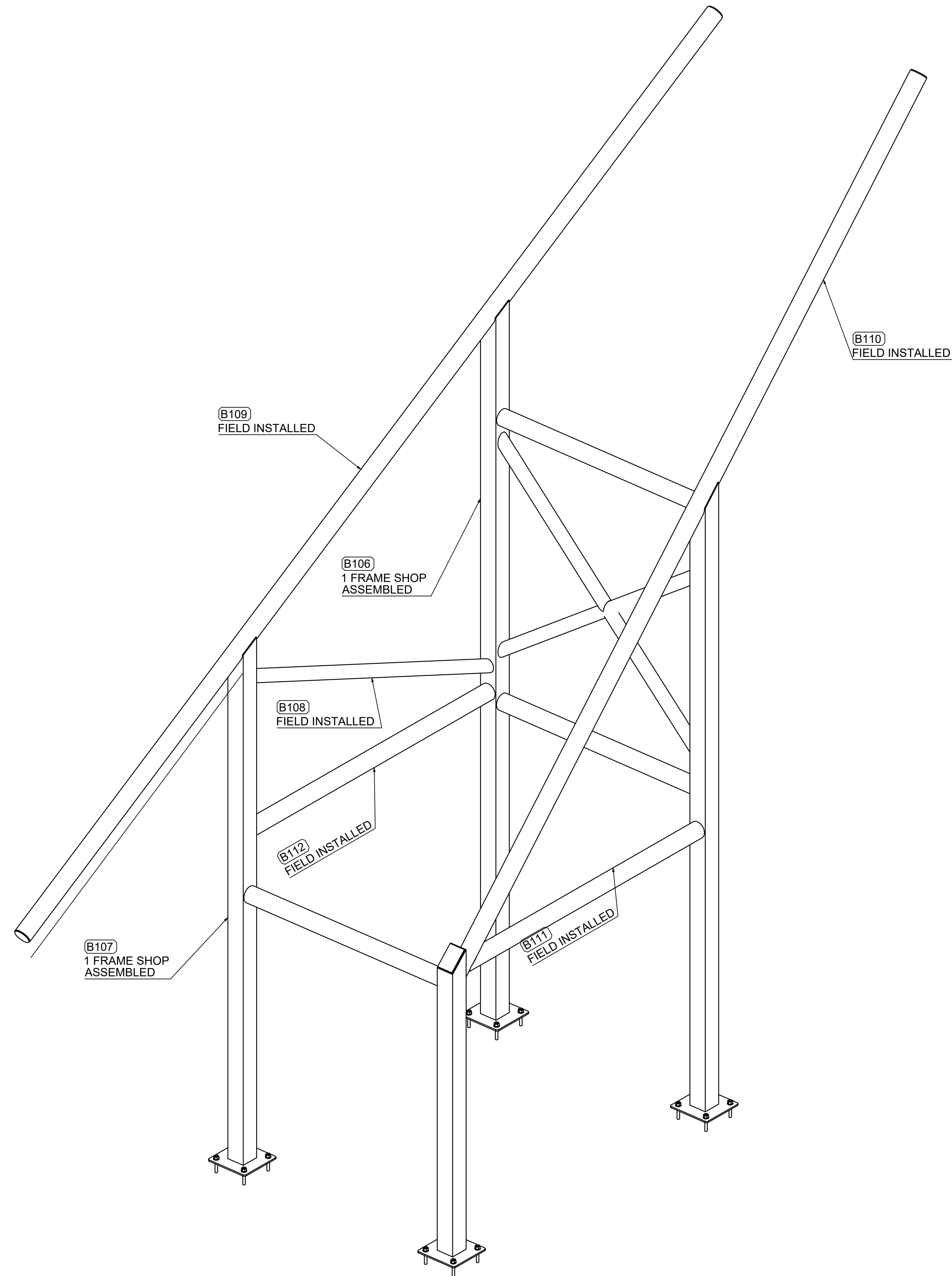
<PROJECT ADDRESS>



3D view
SOR-CV-003-S1

REV.	Date	BY	Description
A	5/7/2023	MJW	FOR APPROVAL
B	5/14/2023		FOR APPROVAL - PER JP REVIEW

<COMPANY NAME			
<COMPANY ADDRESS>			
<PHONE NUMBER>			
STEEL SCOPE: <SCOPE>			
PROJ. / CLIENT: <CONTRACTOR>			
BUILDING: <BUILDING/SCOPE>			
LOCATION: <LOCATION>			
DATE: <DATE>			STATUS: Not Set
DRAWN BY: MJW	JOB NO:	SHEET NO:	REV:
CHECKED BY:		ISO-1	B



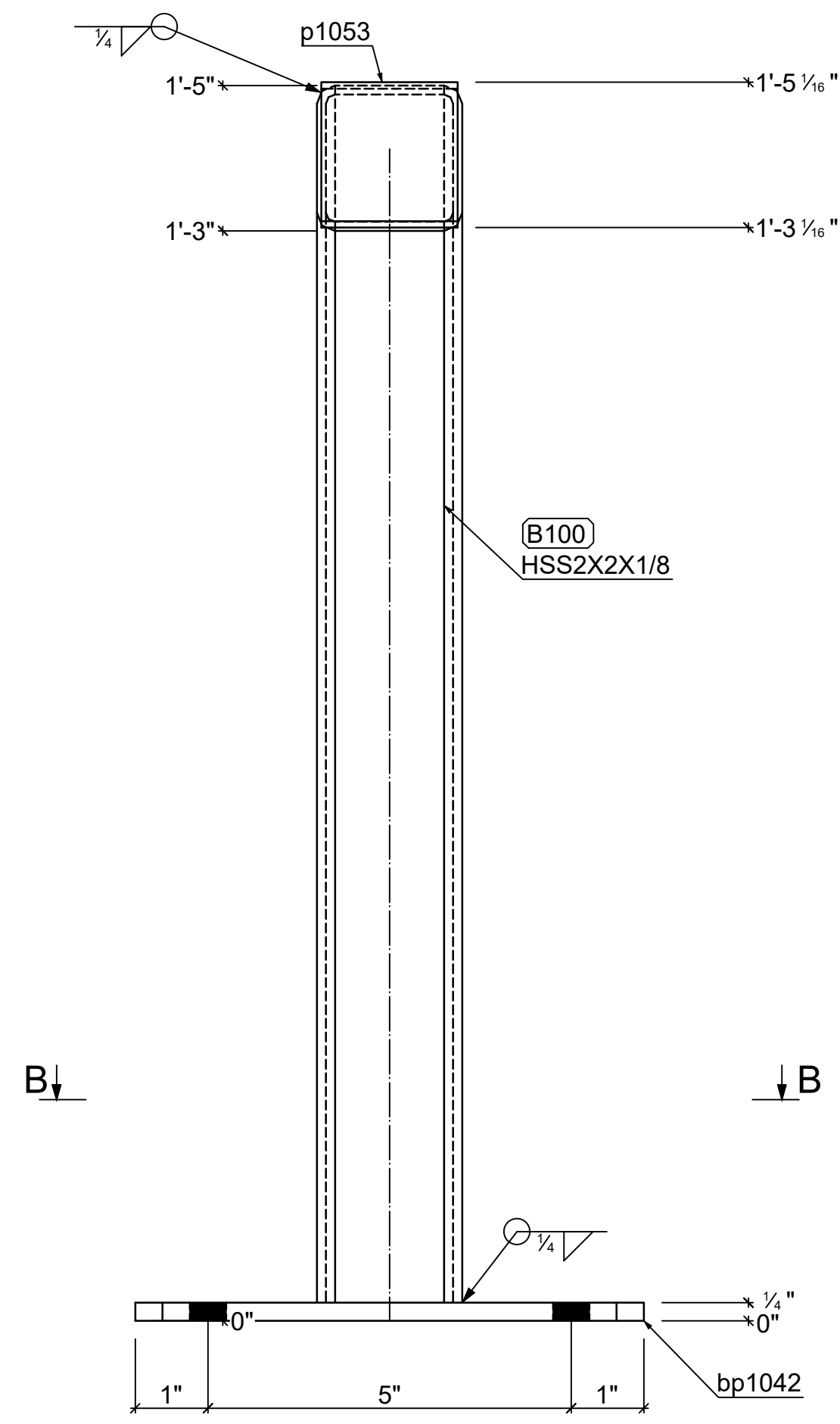
3D view
SOR-CV-001-S1

REV.	Date	BY	Description
A	5/7/2023	MJW	FOR APPROVAL
B	5/14/2023		FOR APPROVAL - PER JP REVIEW

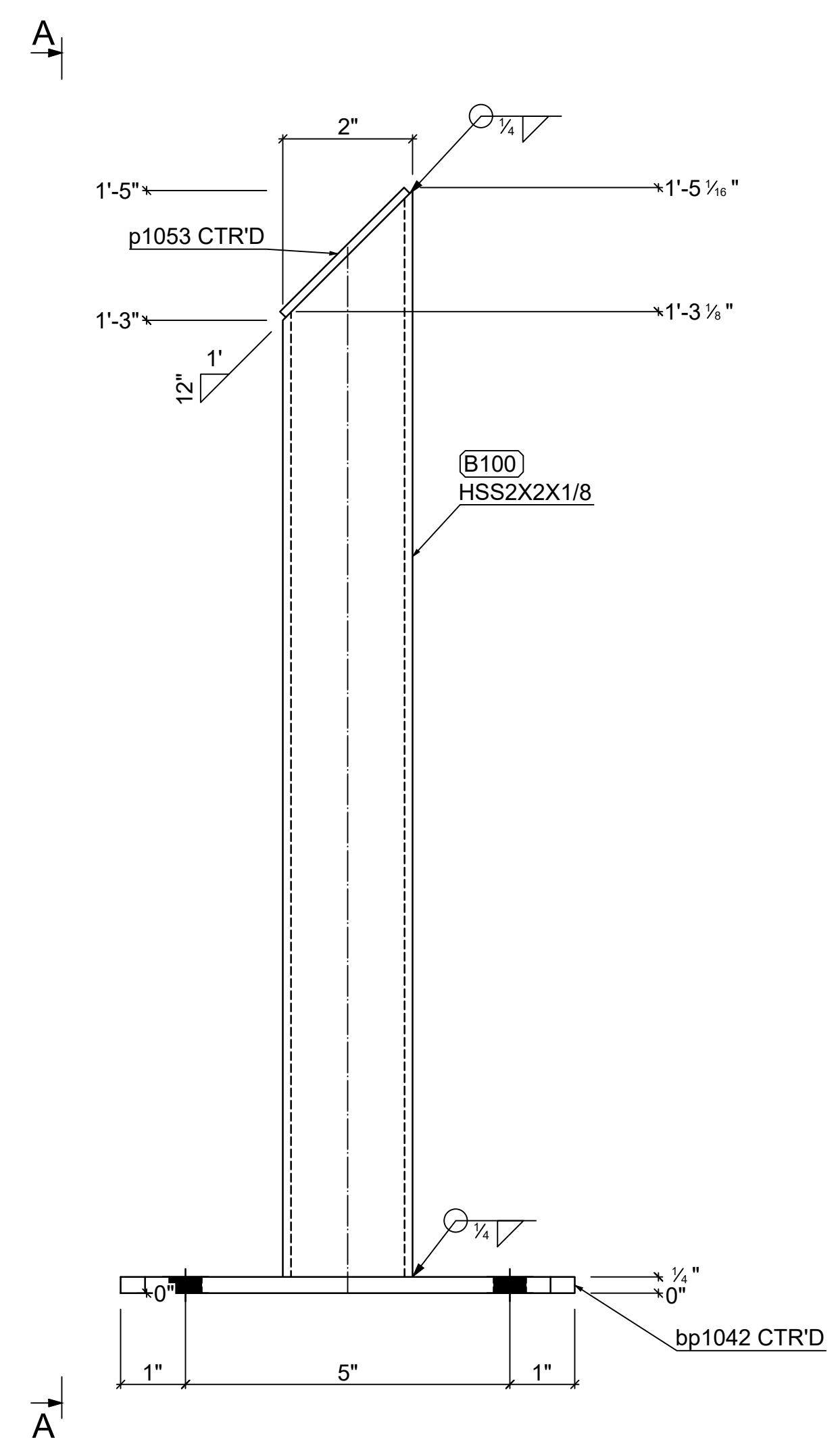
<COMPANY NAME>
 <COMPANY ADDRESS>
 <PHONE NUMBER>

STEEL SCOPE: <SCOPE>	
PROJ. / CLIENT: <CONTRACTOR>	
BUILDING: <BUILDING/SCOPE>	
LOCATION: <LOCATION>	
DATE: <DATE>	STATUS: APPROVED
DRAWN BY: MJW	JOB NO:
CHECKED BY:	SHEET NO: ISO-2 REV: B

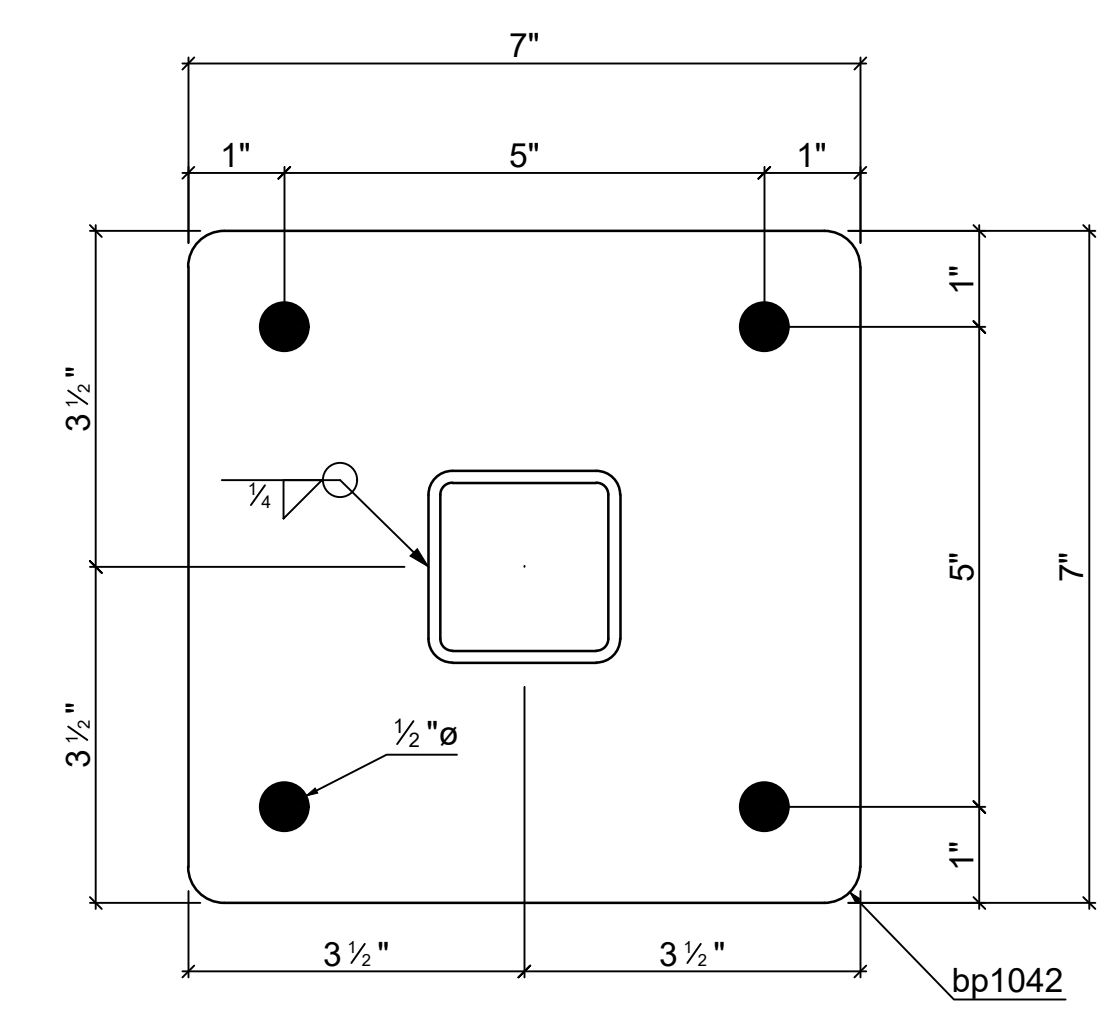
Mark	Quantity	Description	Length	Grade	Part weight	Total weight
SOR-CV-001						
B100	2	HSS2X2X1/8	1'-4 3/4"	S304	4.34	8.68
bp1042	2	PL 1/4"x7"x0-7"	0-7"	S304	3.53	7.06
p1053	2	PL 1/8"x1-7/8"x0-2 11/16"	0-2 11/16"	S304	0.18	0.37
	6				8.05	16.10
	6				TOTAL:	16.10



Section A - A



2 - B100 HSS2X2X1/8



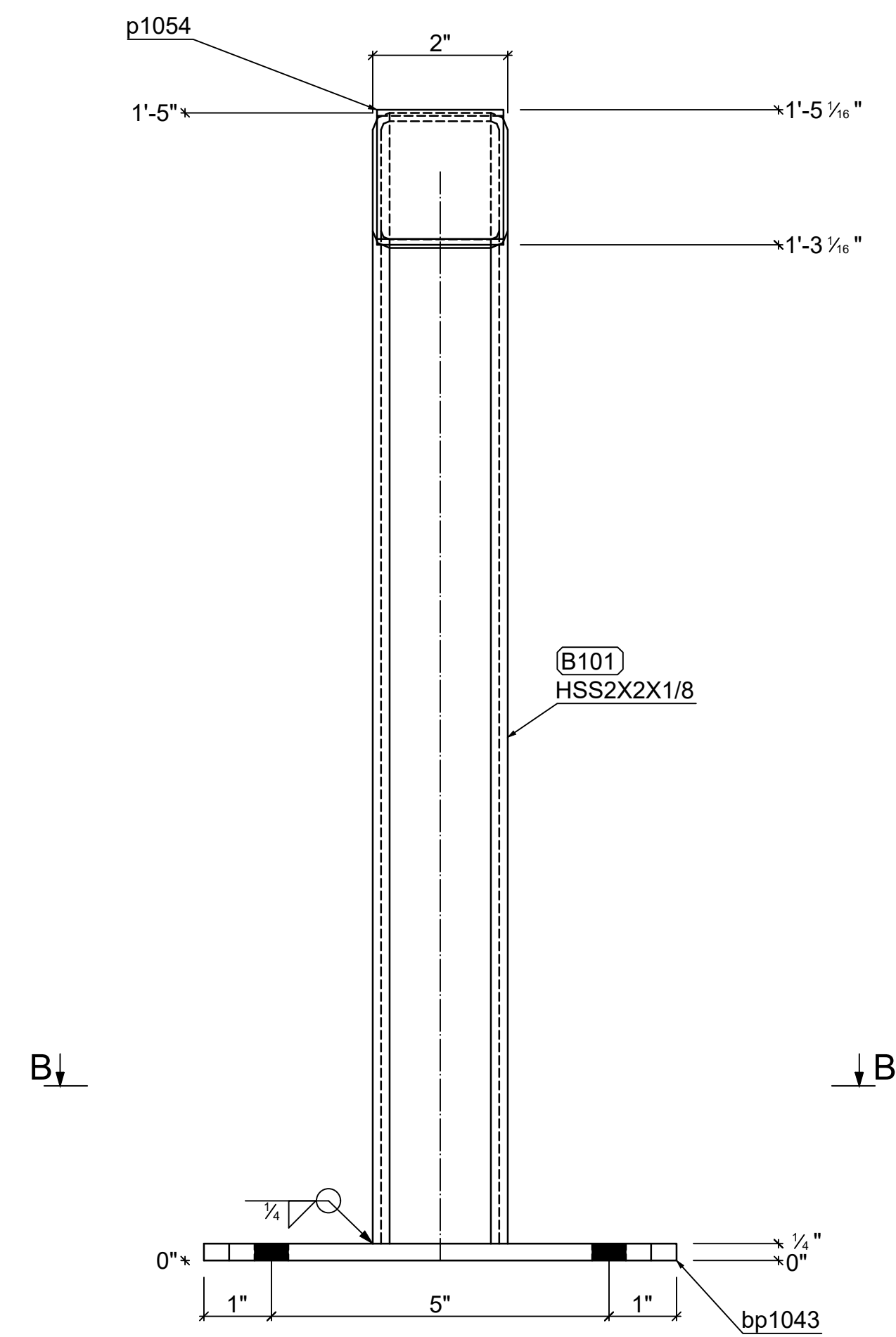
Section B - B

Quantity	Description	Length
8	3/8" ø HILTI KB3 TZ	0-5"
8	ACORN NUTS	

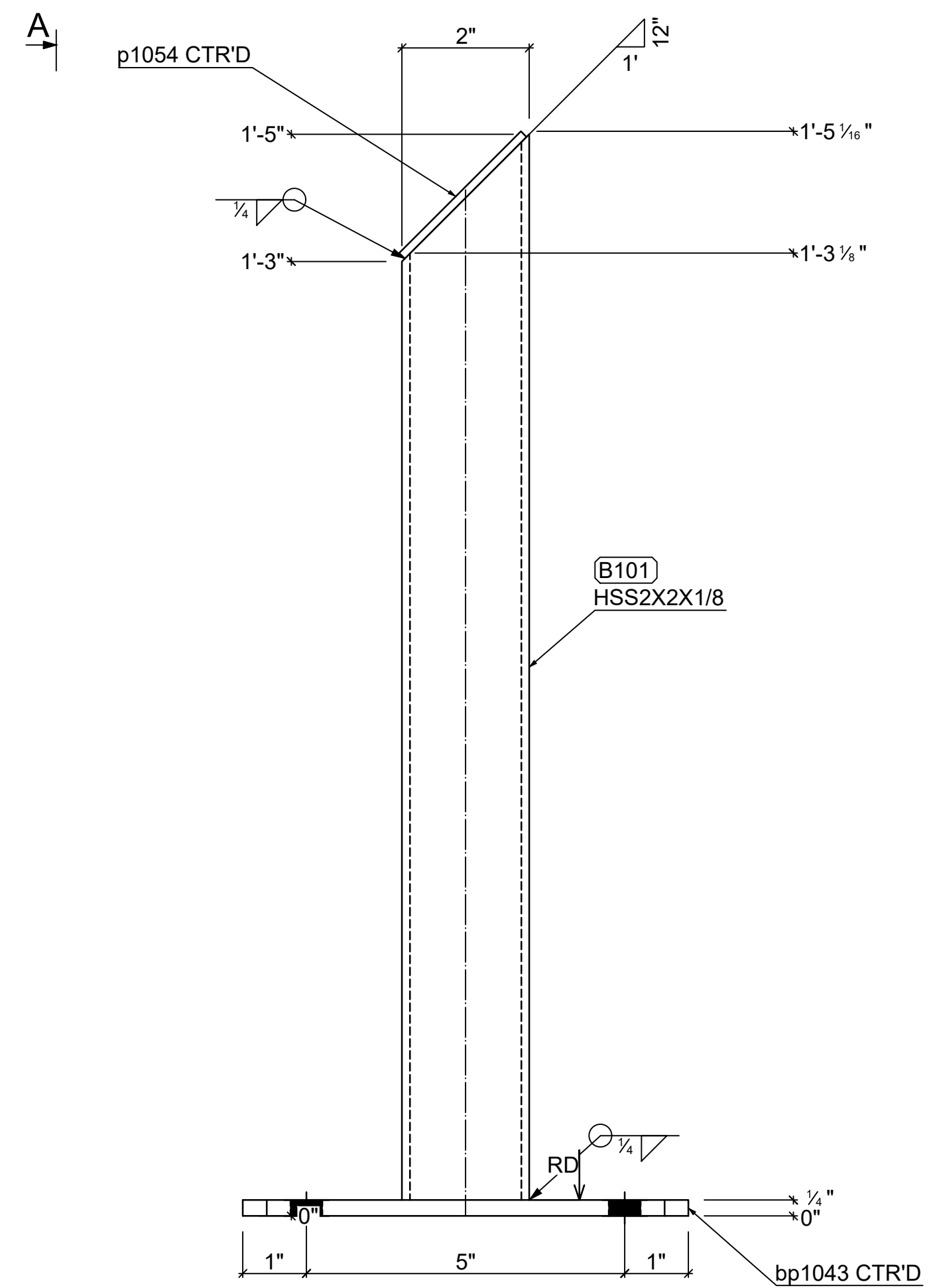
REV.	Date	BY	Description
A	5/7/2023	MJW	FOR APPROVAL
B	5/14/2023		FOR APPROVAL - PER JP REVIEW

<COMPANY NAME>			
<COMPANY ADDRESS>			
<PHONE NUMBER>			
STEEL SCOPE: <SCOPE>			
PROJ. / CLIENT: <CONTRACTOR>			
BUILDING: <BUILDING/SCOPE>			
LOCATION: <LOCATION>			
DATE: <DATE>			STATUS: Not Set
DRAWN BY: MJW		JOB NO:	SHEET NO: 100
CHECKED BY:			REV: B

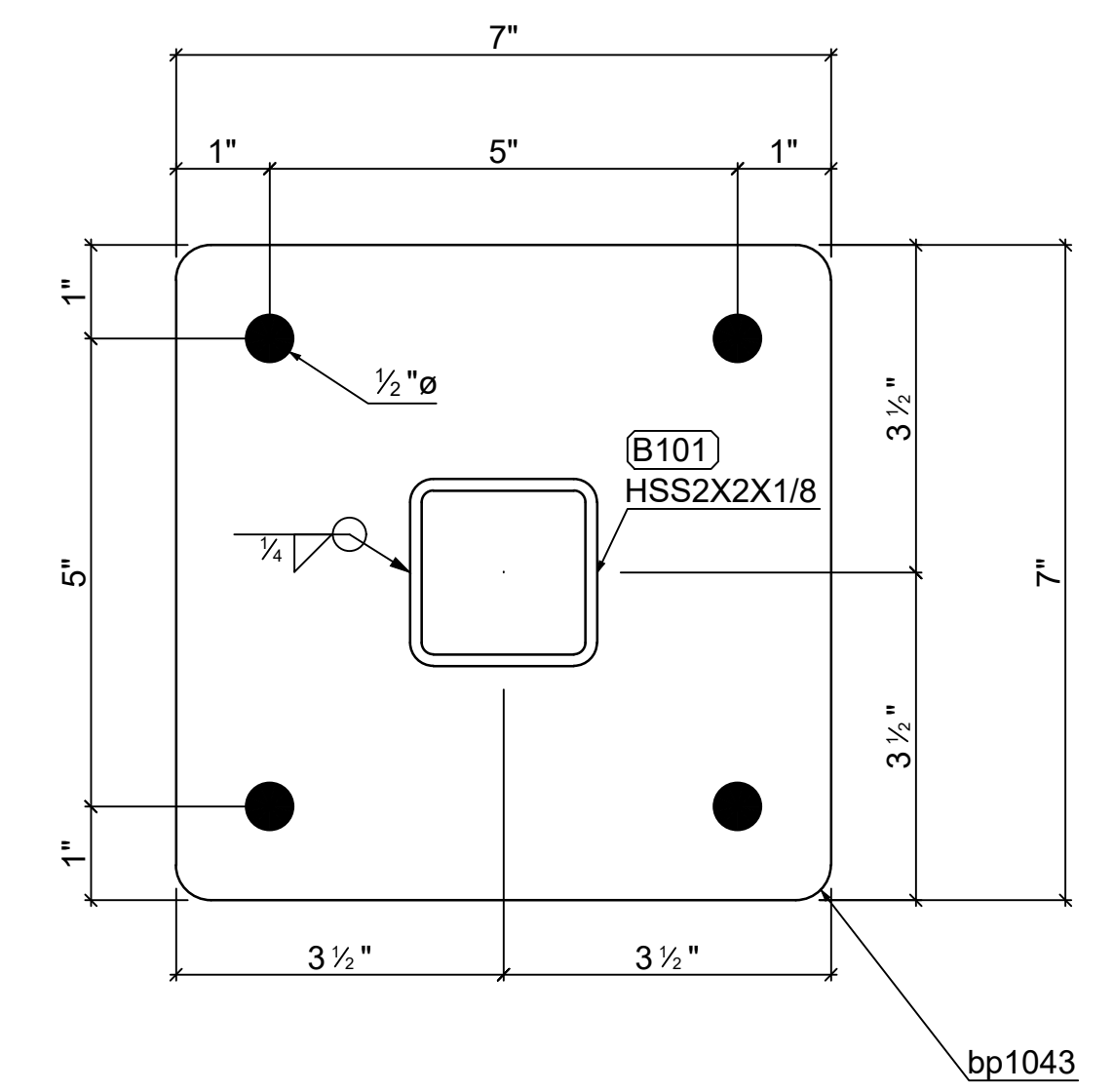
Mark	Quantity	Description	Length	Grade	Part weight	Total weight
SDR-CV-002						
B101	3					
B101	3	HSS2X2X1/8	1'-4 3/4"	S304	4.34	13.02
bp1043	3	PL 1/4"x7"x0'-7"	0'-7"	S304	3.53	10.59
p1054	3	PL 1/8"x1-7/8"x0'-2 11/16"	0'-2 11/16"	S304	0.18	0.55
	9				8.05	24.15
					TOTAL:	24.15



Section A - A



3 - B101 HSS2X2X1/8



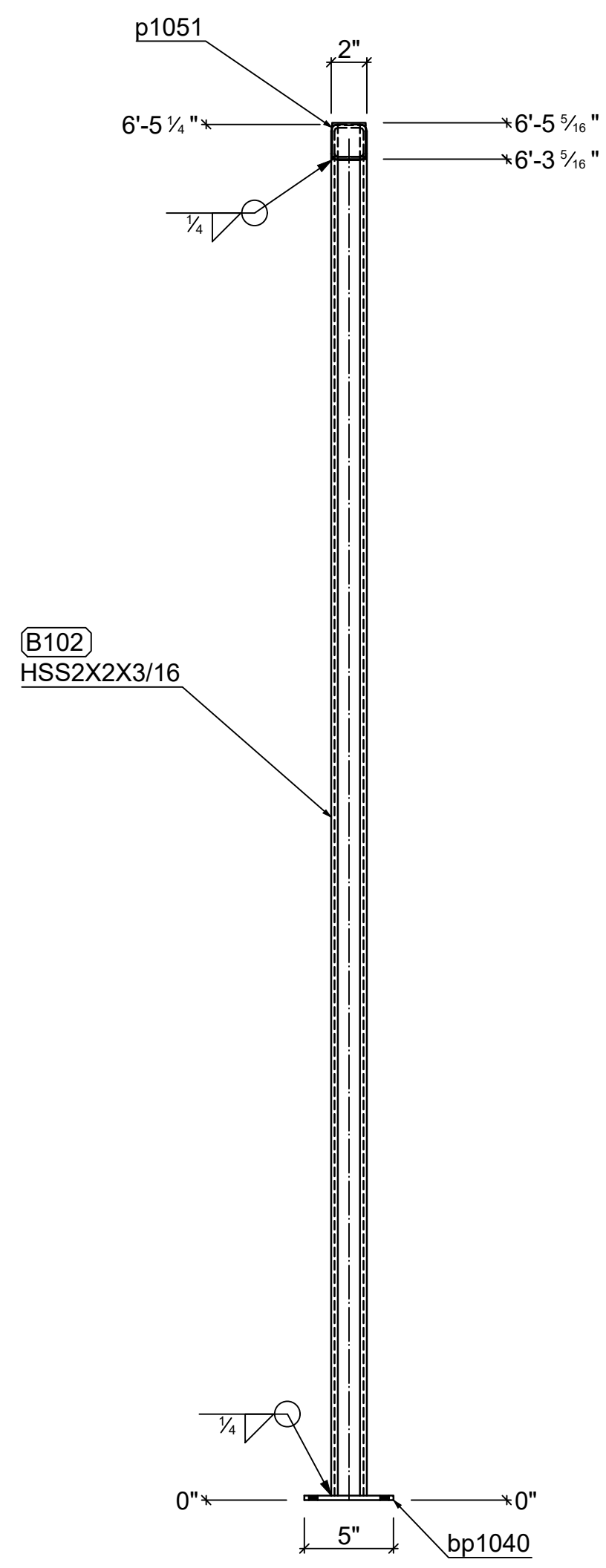
Section B - B

REV.	Date	BY	Description
A	5/7/2023	MJW	FOR APPROVAL
B	5/14/2023		FOR APPROVAL - PER JP REVIEW

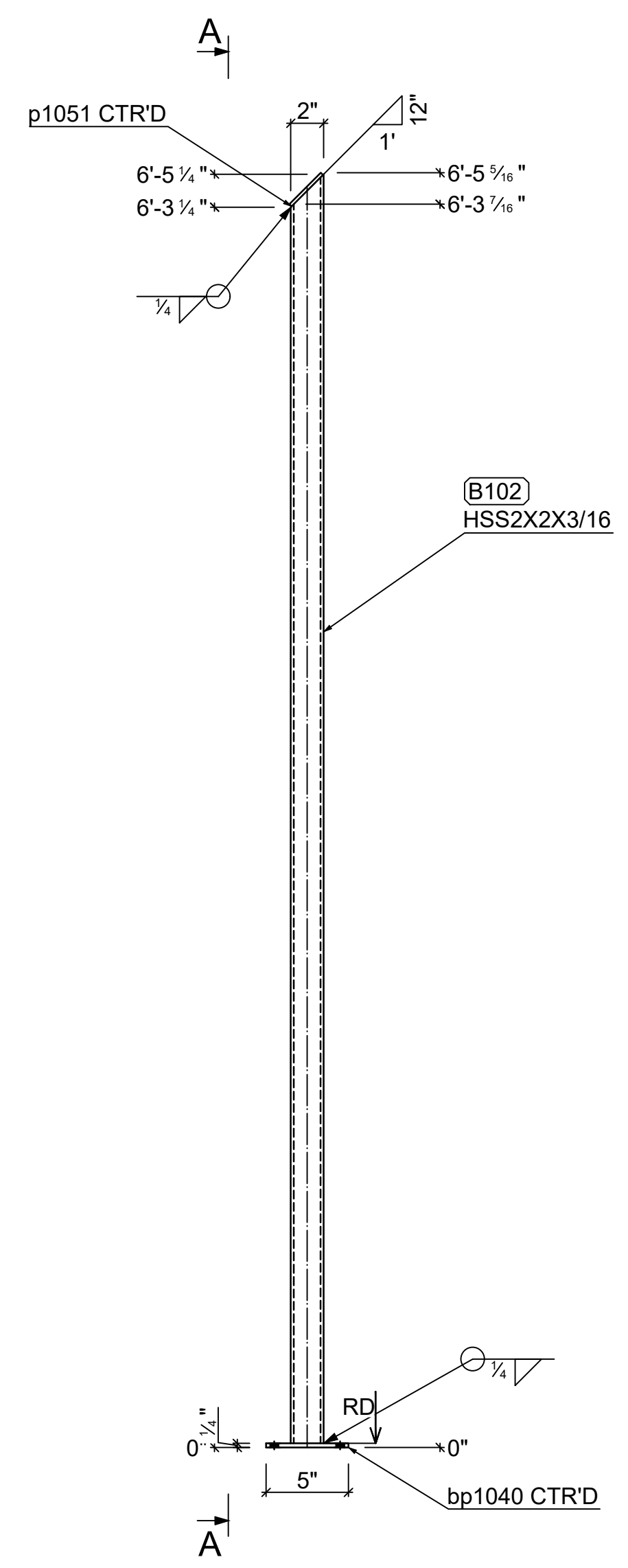
<COMPANY NAME>			
<COMPANY ADDRESS>			
<PHONE NUMBER>			
STEEL SCOPE: <SCOPE>			
PROJ. / CLIENT: <CONTRACTOR>			
BUILDING: <BUILDING/SCOPE>			
LOCATION: <LOCATION>			
DATE: <DATE>			STATUS: Not Set
DRAWN BY: MJW		JOB NO:	SHEET NO: 101
CHECKED BY:			REV: B

Quantity	Description	Length
12	3/8" ø HILTI KB3 TZ	0'-5"
12	ACORN NUTS	

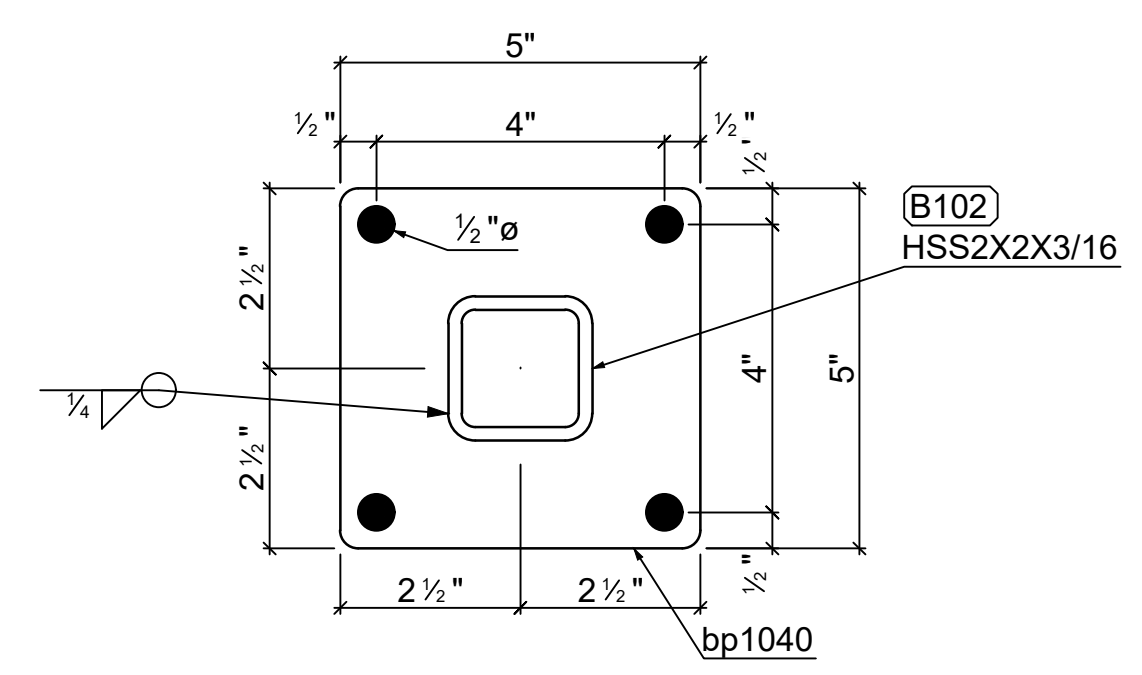
Mark	Quantity	Description	Length	Grade	Part weight	Total weight
SOR-CV-003-S2						
B102	1					
B102	1	HSS2X2X3/16	6'-5"	S304	28.25	28.25
bp1040	1	PL 1/4"x5"x0'-5"	0'-5"	S304	1.80	1.80
p1051	1	PL 3/16"x1-7/8"x0'-2 11/16"	0'-2 11/16"	S304	0.27	0.27
	3				30.33	30.33
	3				TOTAL:	30.33



Section A - A



1 - B102 HSS2X2X3/16



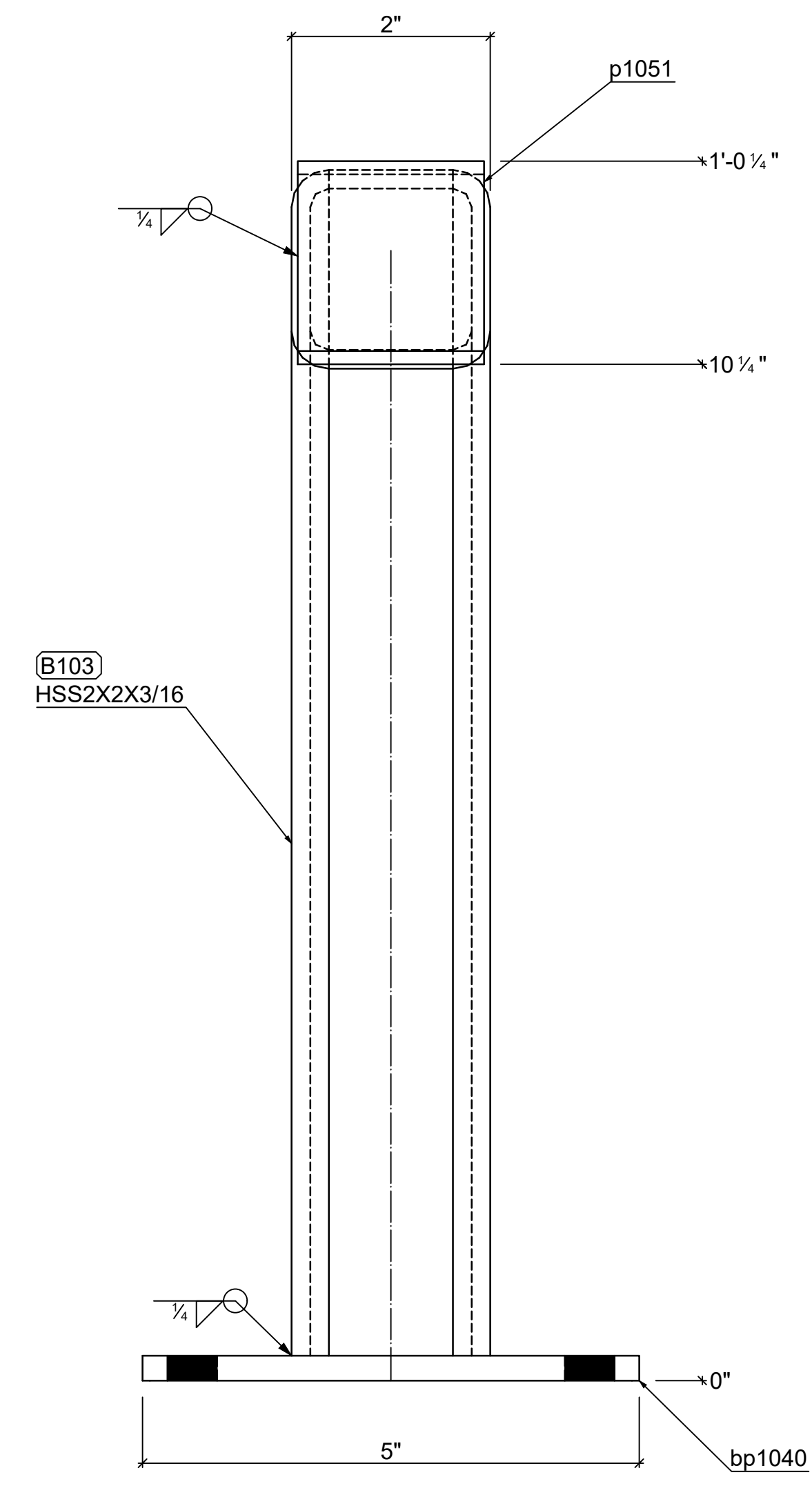
Section B - B

Quantity	Description	Length
4	3/8" ø HILTI KB3 TZ	0'-5"
4	ACORN NUTS	

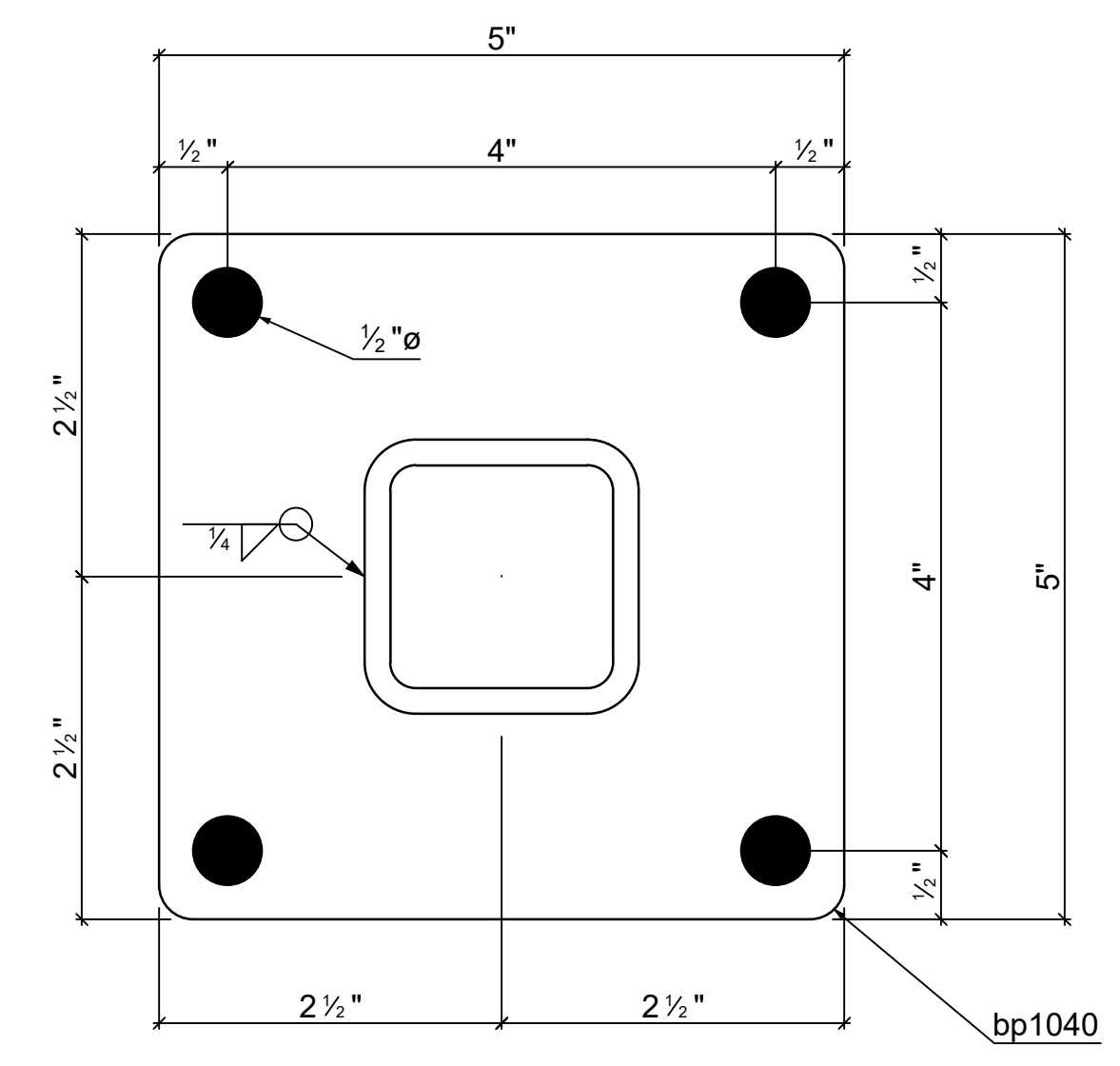
REV.	Date	BY	Description
A	5/7/2023	MJW	FOR APPROVAL
B	5/14/2023		FOR APPROVAL - PER JP REVIEW

<COMPANY NAME>			
<COMPANY ADDRESS>			
<PHONE NUMBER>			
STEEL SCOPE: <SCOPE>			
PROJ. / CLIENT: <CONTACTOR>			
BUILDING: <BUILDING/SCOPE>			
LOCATION: <LOCATION>			
DATE: <DATE>			STATUS: Not Set
DRAWN BY: MJW		JOB NO:	SHEET NO: 102
CHECKED BY:			REV: B

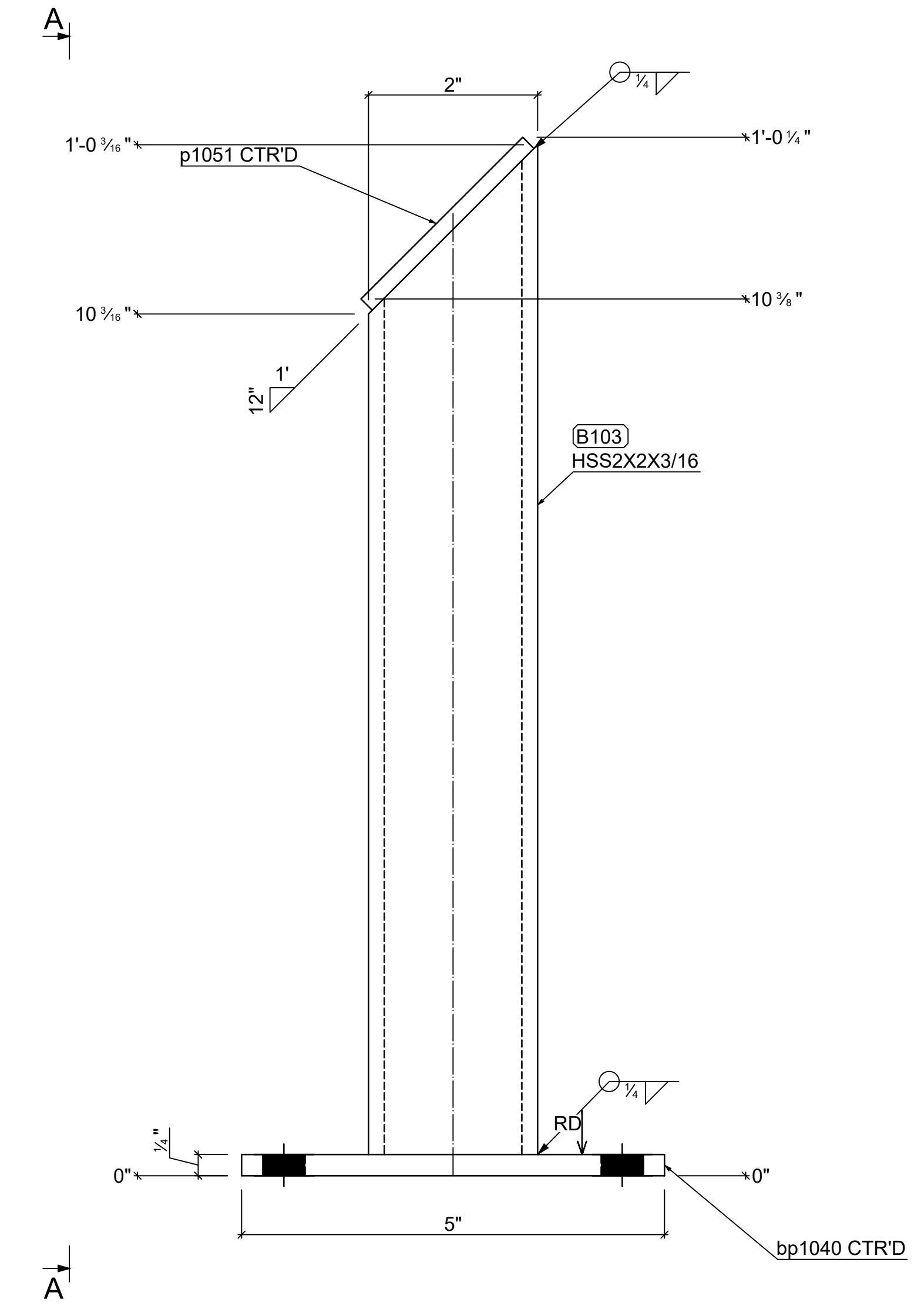
Mark	Quantity	Description	Length	Grade	Part weight	Total weight
SOR-CV-003-S3						
B103	5	HSS2X2X3/16	0'-11 15/16"	S304	4.38	21.90
B103	5	PL 1/4"x5"x0'-5"	0'-5"	S304	1.80	9.01
bp1040	5	PL 3/16"x1-7/8"x0'-2 11/16"	0'-2 11/16"	S304	0.27	1.37
p1051	15				6.46	32.28
	15				TOTAL:	32.28



Section A - A



Section B - B



5 - B103 HSS2X2X3/16

REV.	Date	BY	Description
A	5/7/2023	MJW	FOR APPROVAL
B	5/14/2023		FOR APPROVAL - PER JP REVIEW

<COMPANY NAME>
 <COMPANY ADDRESS>
 <PHONE NUMBER>

STEEL SCOPE: <SCOPE>

PROJ. / CLIENT: <CONTRACTOR>

BUILDING: <BUILDING/SCOPE>

LOCATION: <LOCATION>

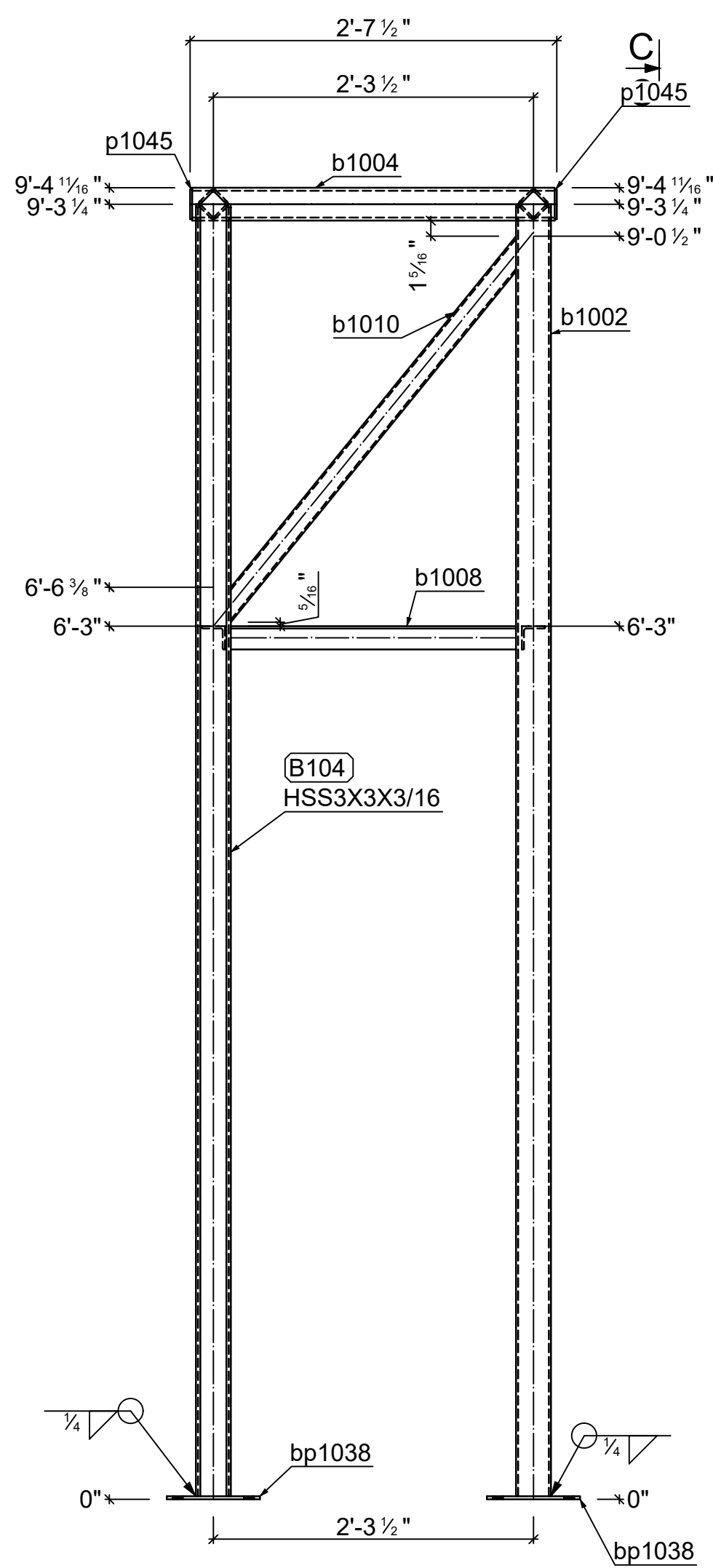
DATE: <DATE> STATUS: Not Set

DRAWN BY: MJW JOB NO: SHEET NO: 103 REV: B

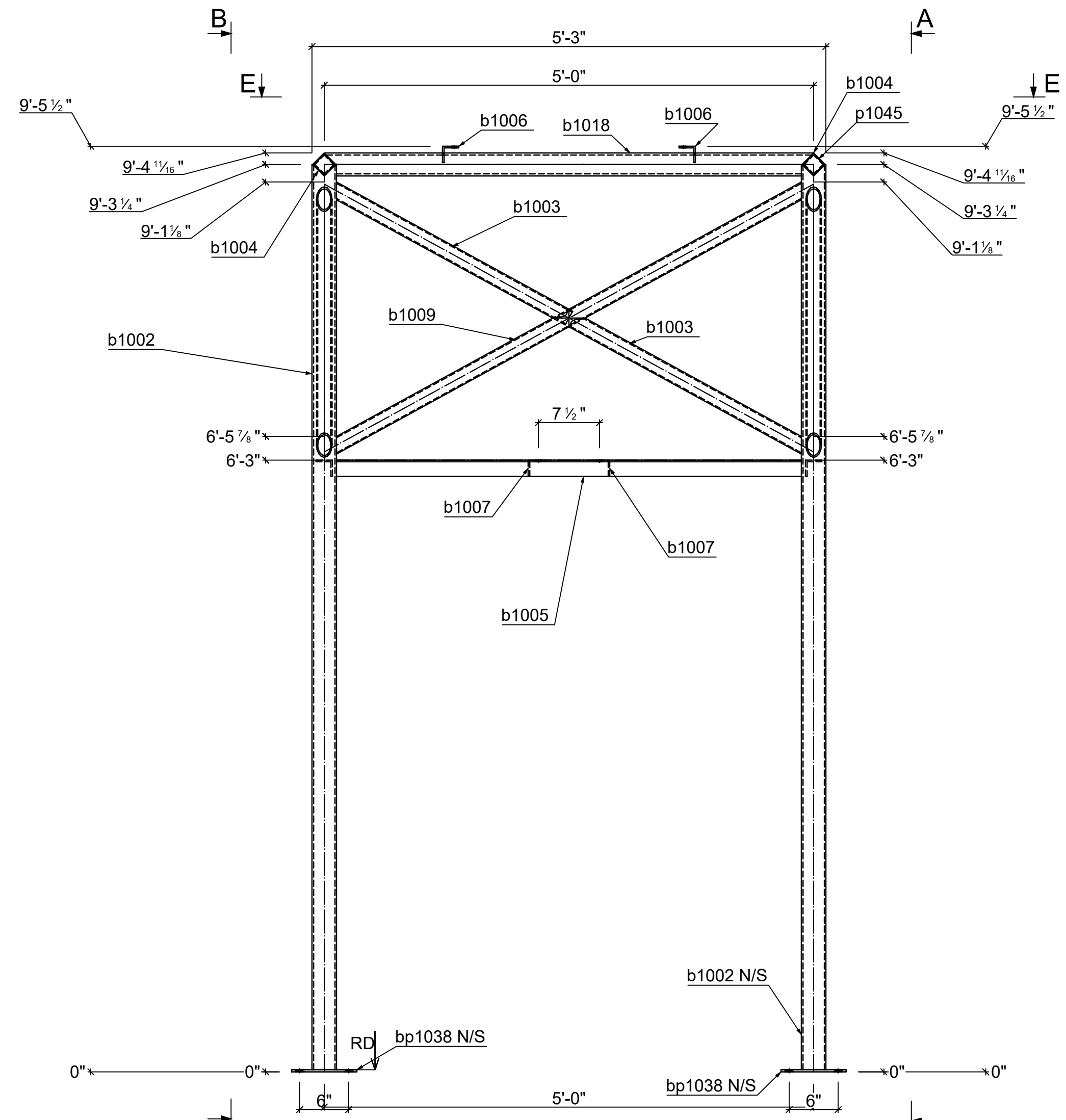
CHECKED BY:

Quantity	Description	Length
20	3/8" ø HILTI KB3 TZ	0'-5"
20	ACORN NUTS	

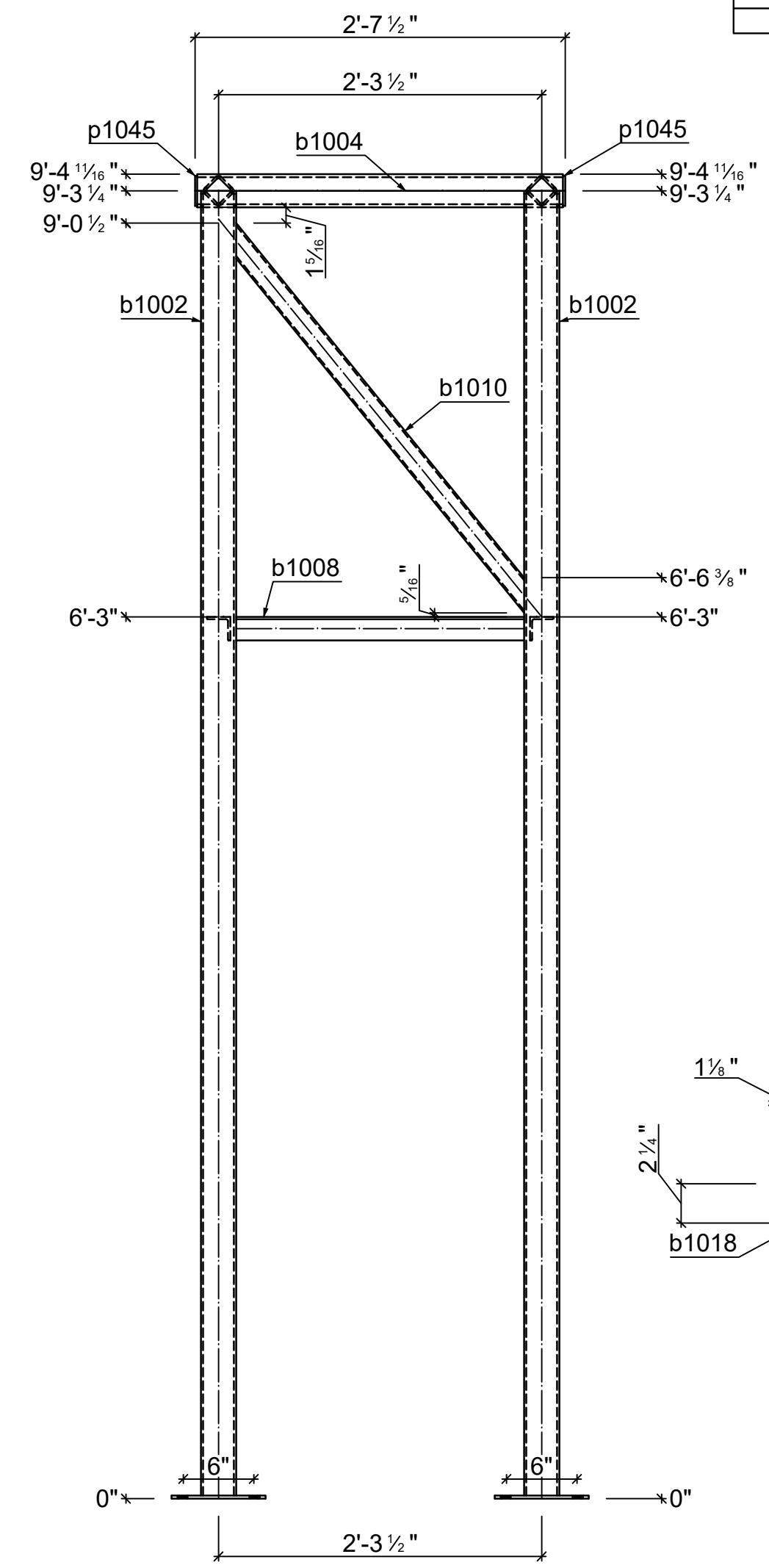
Mark	Quantity	Description	Length	Grade	Part weight	Total weight
SOR-CV-002-S1						
B104	1	HSS3X3X3/16	9'-3"	S304	64.76	64.76
b1018	4	HSS2X2X3/16	4'-11 3/4"	S304	21.92	87.68
b1017	1	HSS2X2X3/16	4'-11 3/4"	S304	21.92	109.60
b1009	2	Pipe1-1/2STD	5'-0"	S304	15.25	30.51
b1006	2	L2X2X3/16	4'-9"	S304	11.81	23.62
b1004	2	HSS2X2X3/16	2'-7 1/2"	S304	11.82	23.64
b1010	2	Pipe1-1/2STD	3'-3 3/16"	S304	9.92	19.83
b1002	1	Pipe1-1/2STD	2'-9"	S304	7.83	7.83
b1003	3	Pipe1-1/2STD	2'-9"	S304	7.83	23.49
b1008	2	L2X2X3/16	2'-3 1/2"	S304	8.18	16.36
b1007	2	L2X2X3/16	2'-1 1/2"	S304	5.48	10.97
b1005	2	L2X2X3/16	2'-3 1/2"	S304	5.58	11.15
bp1038	4	PL 1/4"x3/8"x7/8"	0'-0"	S304	4.60	18.41
b1045	4	PL 3/16"x1-1/2"x7/8"x1.3/16"	0'-0"	S304	0.18	0.71
32					481.80	481.80
TOTAL:					481.80	481.80



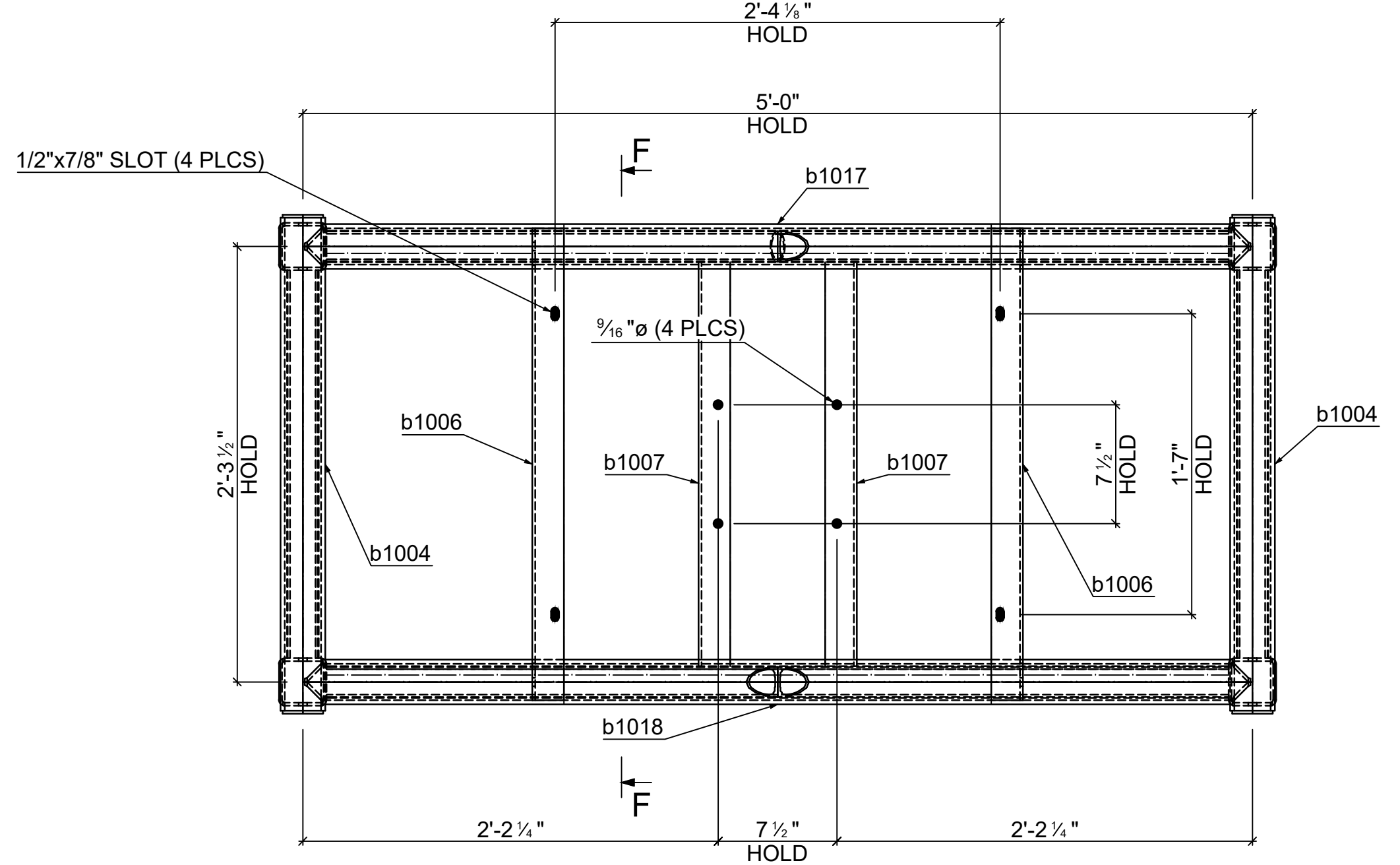
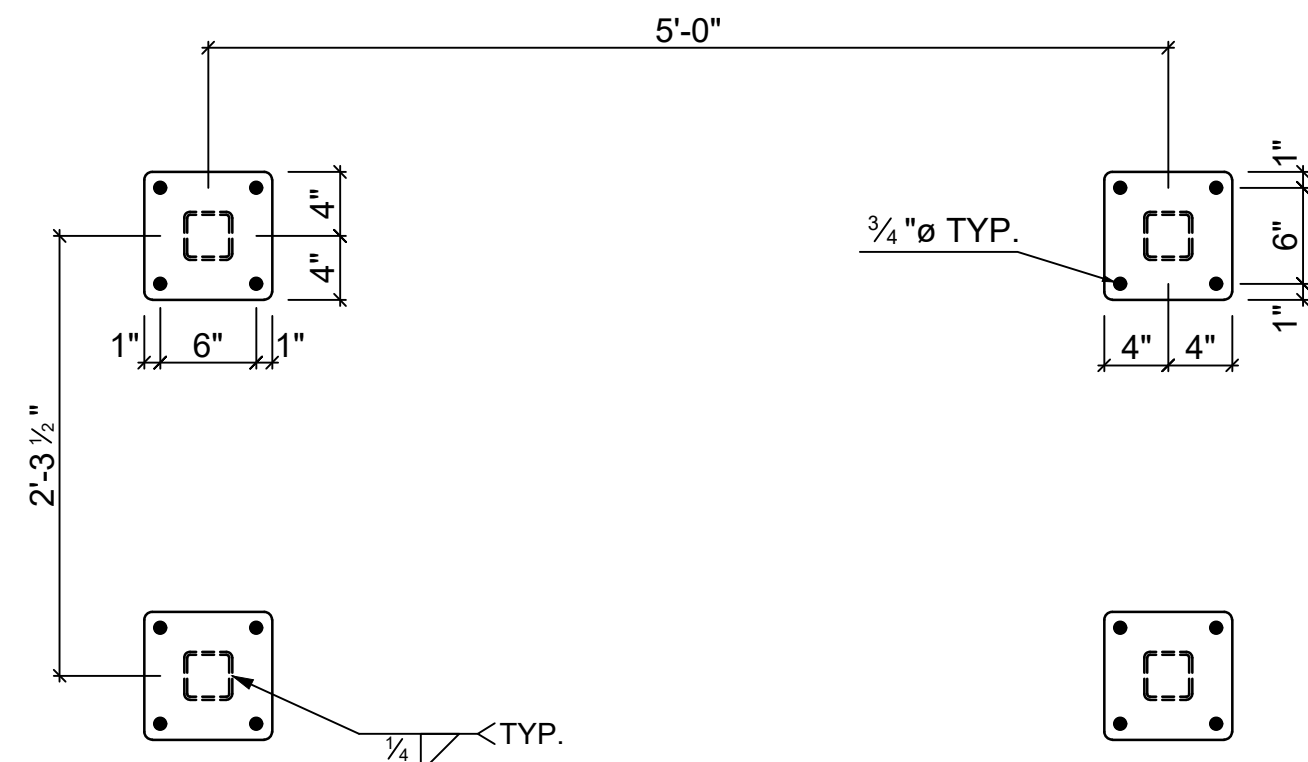
Section B - B Section C - C



Section A - A



Section F - F



Section E - E

1 - B104 HSS3X3X3/16

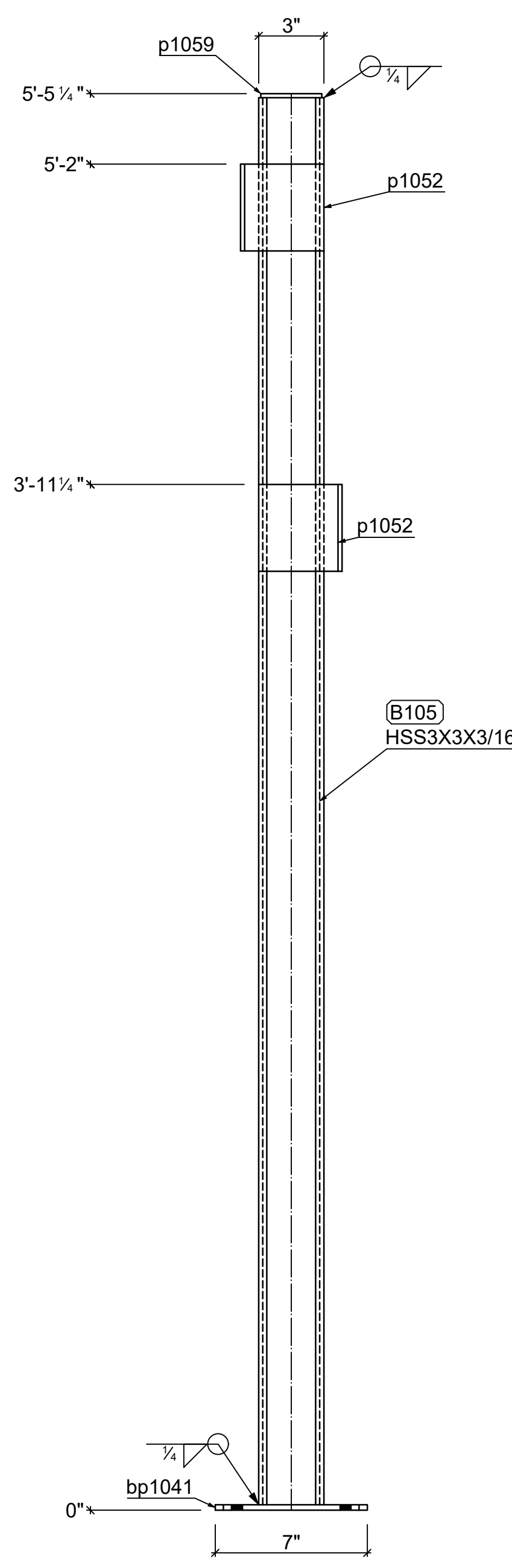
REV.	Date	BY	Description
A	5/7/2023	MJW	FOR APPROVAL
B	5/14/2023		FOR APPROVAL - PER JP REVIEW

<COMPANY NAME>
 <COMPANY ADDRESS>
 <PHONE NUMBER>

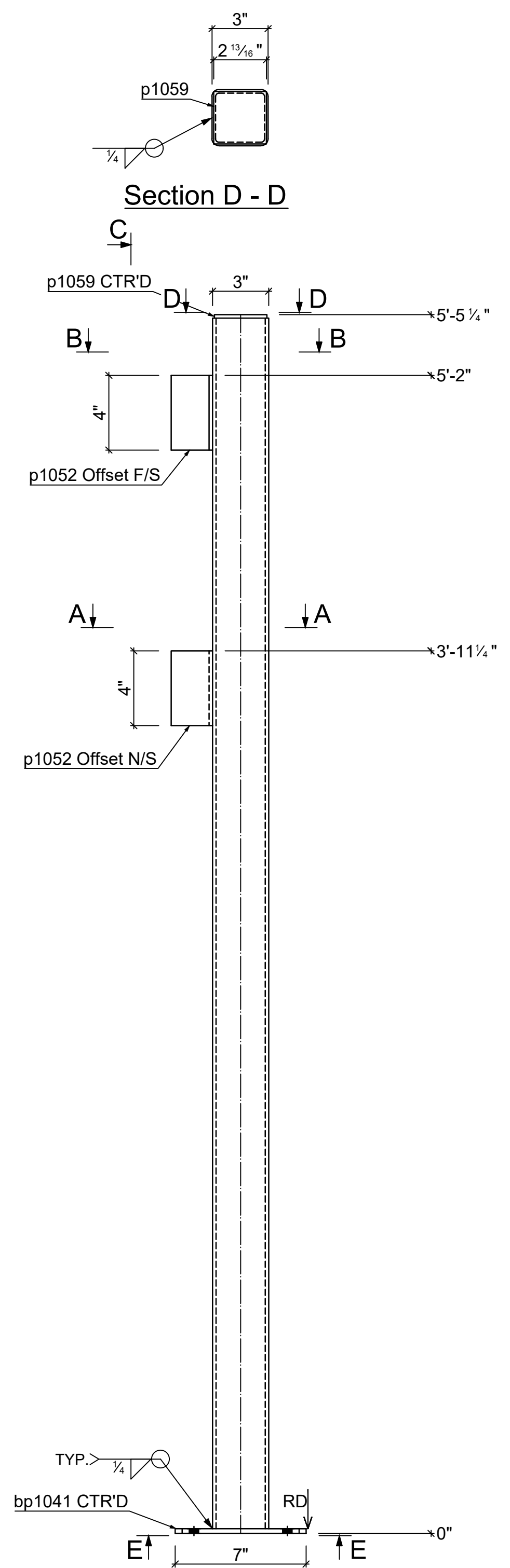
STEEL SCOPE: <SCOPE>	
PROJ. / CLIENT: <CONTRACTOR>	
BUILDING: <BUILDING/SCOPE>	
LOCATION: <LOCATION>	
DATE: <DATE>	STATUS: Not Set
DRAWN BY: MJW	JOB NO: _____
CHECKED BY: _____	SHEET NO: 104
	REV: B

Quantity	Description	Length
16	5/8" HILTI KB3 TZ	0'-4 3/4"
16	ACORN NUTS	

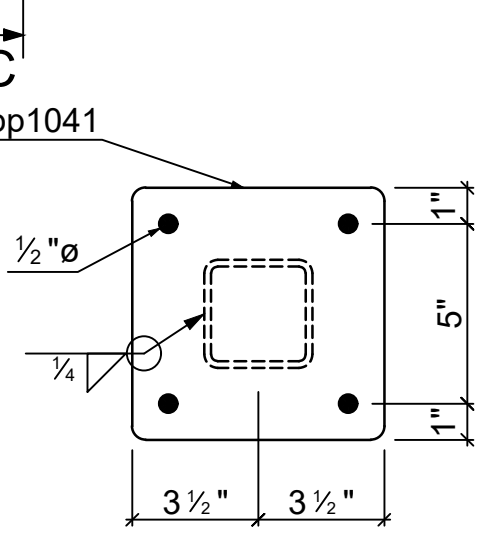
Mark	Quantity	Description	Length	Grade	Part weight	Total weight
SOR-CV-001-S2						
B105	1					
B105	1	HSS3X3X3/16	5'-4 13/16"	S304	37.81	37.81
bp1041	1	PL 1/4"x7"x0-7"	0-7"	S304	3.53	3.53
p1052	2	PL 3/16"x4"x0-5 11/16"	0-5 11/16"	S304	1.24	2.48
p1059	1	PL 3/16"x2-13/16"x0-2 13/16"	0-2 13/16"	S304	0.43	0.43
	5				44.25	44.25
	5				TOTAL:	44.25



Section C - C

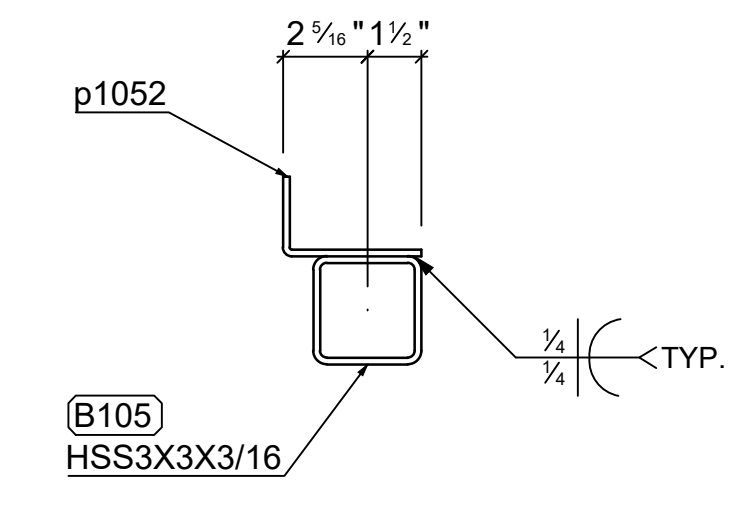


Section D - D

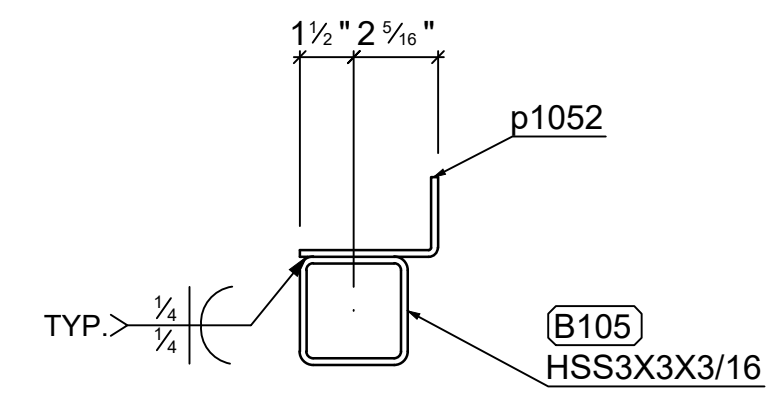


Section E - E

1 - **B105** HSS3X3X3/16



Section A - A



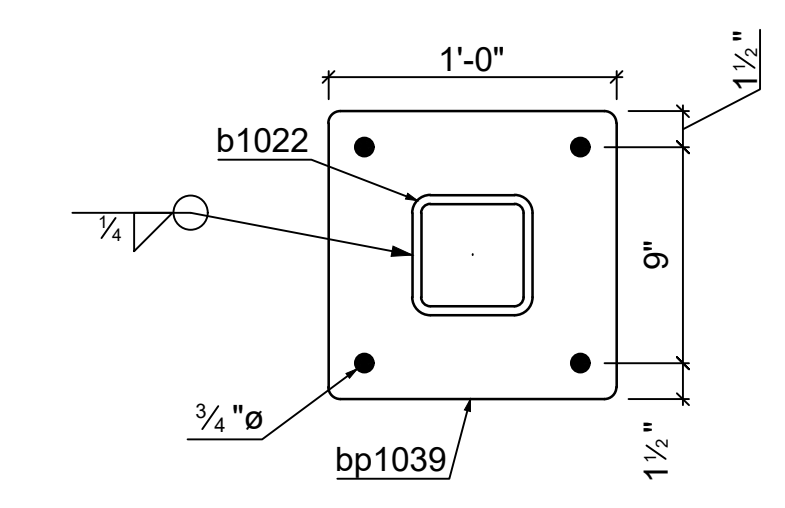
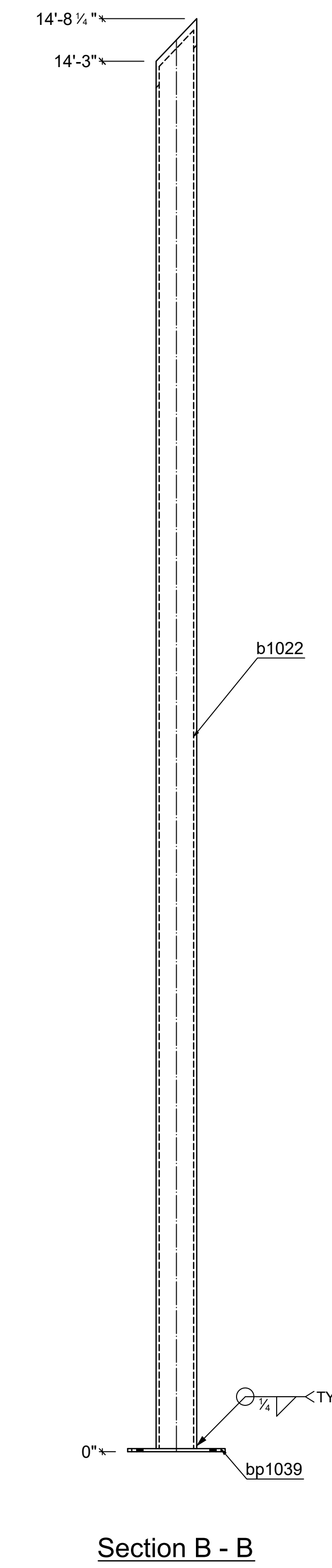
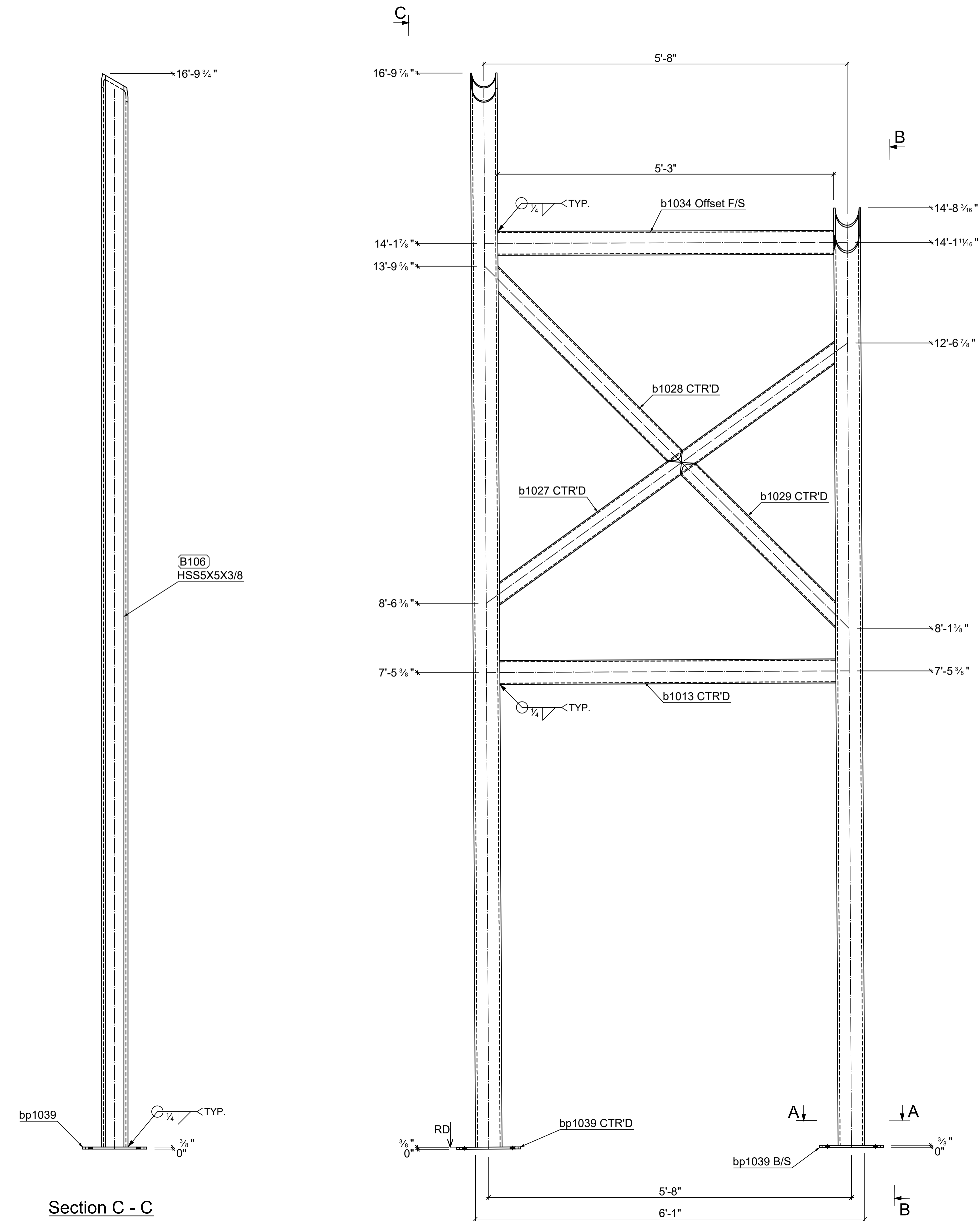
Section B - B

REV.	Date	BY	Description
A	5/7/2023	MJW	FOR APPROVAL
B	5/14/2023		FOR APPROVAL - PER JP REVIEW

<COMPANY NAME>			
<COMPANY ADDRESS>			
<PHONE NUMBER>			
STEEL SCOPE: <SCOPE>			
PROJ. / CLIENT: <CONTRACTOR>			
BUILDING: <BUILDING/SCOPE>			
LOCATION: <LOCATION>			
DATE: <DATE>			STATUS: Not Set
DRAWN BY: MJW		JOB NO:	SHEET NO: 105
CHECKED BY:			REV: B

Quantity	Description	Length
4	3/8" HILTI KB3 TZ	0'-5"
4	ACORN NUTS	

Mark	Quantity	Description	Length	Grade	Part weight	Total weight
SOR-CV-001-S1						
B106	1					
B106	1	HSS5X5X3/8	16'-9 7/16"	S304	382.74	382.74
b1022	1	HSS5X5X3/8	14'-7 7/8"	S304	334.07	334.07
b1034	1	Pipe4STD	5'-3 3/8"	S304	58.14	58.14
b1013	1	Pipe4STD	5'-3"	S304	57.79	57.79
b1027	1	Pipe3STD	6'-7 7/8"	S304	51.45	51.45
b1028	1	Pipe3STD	4'-2 5/16"	S304	32.40	32.40
b1029	1	Pipe3STD	3'-6 7/16"	S304	27.34	27.34
bp1039	2	PL 3/8"x12"x1'-0"	1'-0"	S304	15.58	31.15
	9				975.08	975.08
	9				TOTAL:	975.08



Section A - A

REV.	Date	BY	Description
A	5/7/2023	MJW	FOR APPROVAL
B	5/14/2023		FOR APPROVAL - PER JP REVIEW

<COMPANY NAME>
 <COMPANY ADDRESS>
 <PHONE NUMBER>

STEEL SCOPE: <SCOPE>
 PROJ. / CLIENT: <CONTRACTOR>
 BUILDING: <BUILDING/SCOPE>
 LOCATION: <LOCATION>

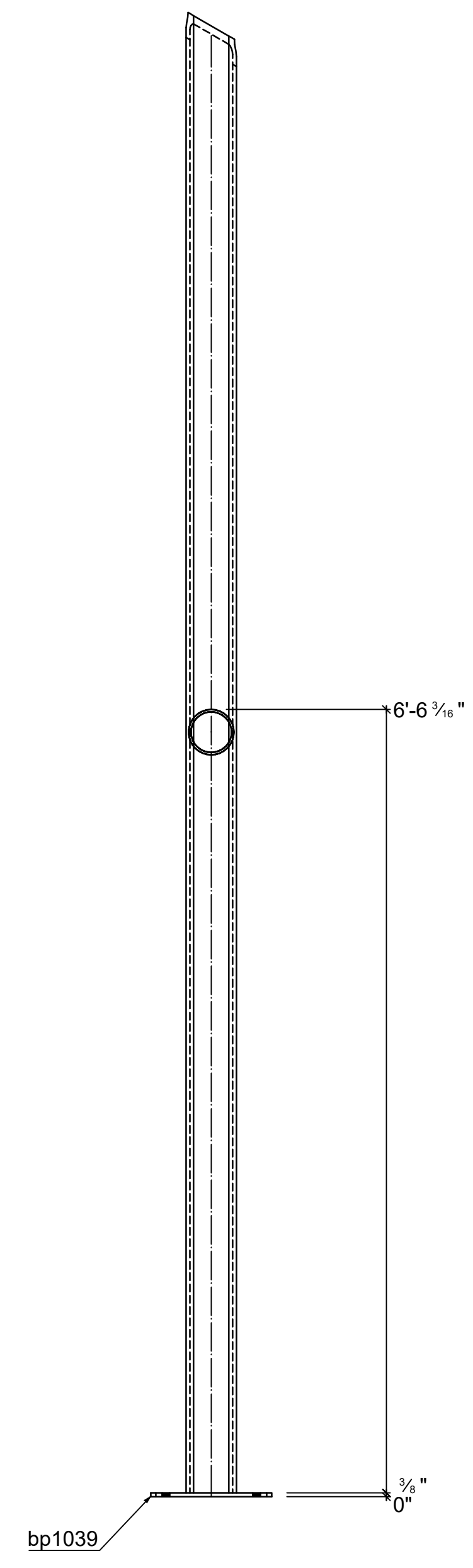
DATE: <DATE> STATUS: Not Set

DRAWN BY: MJW JOB NO: SHEET NO: 106 REV: B
 CHECKED BY:

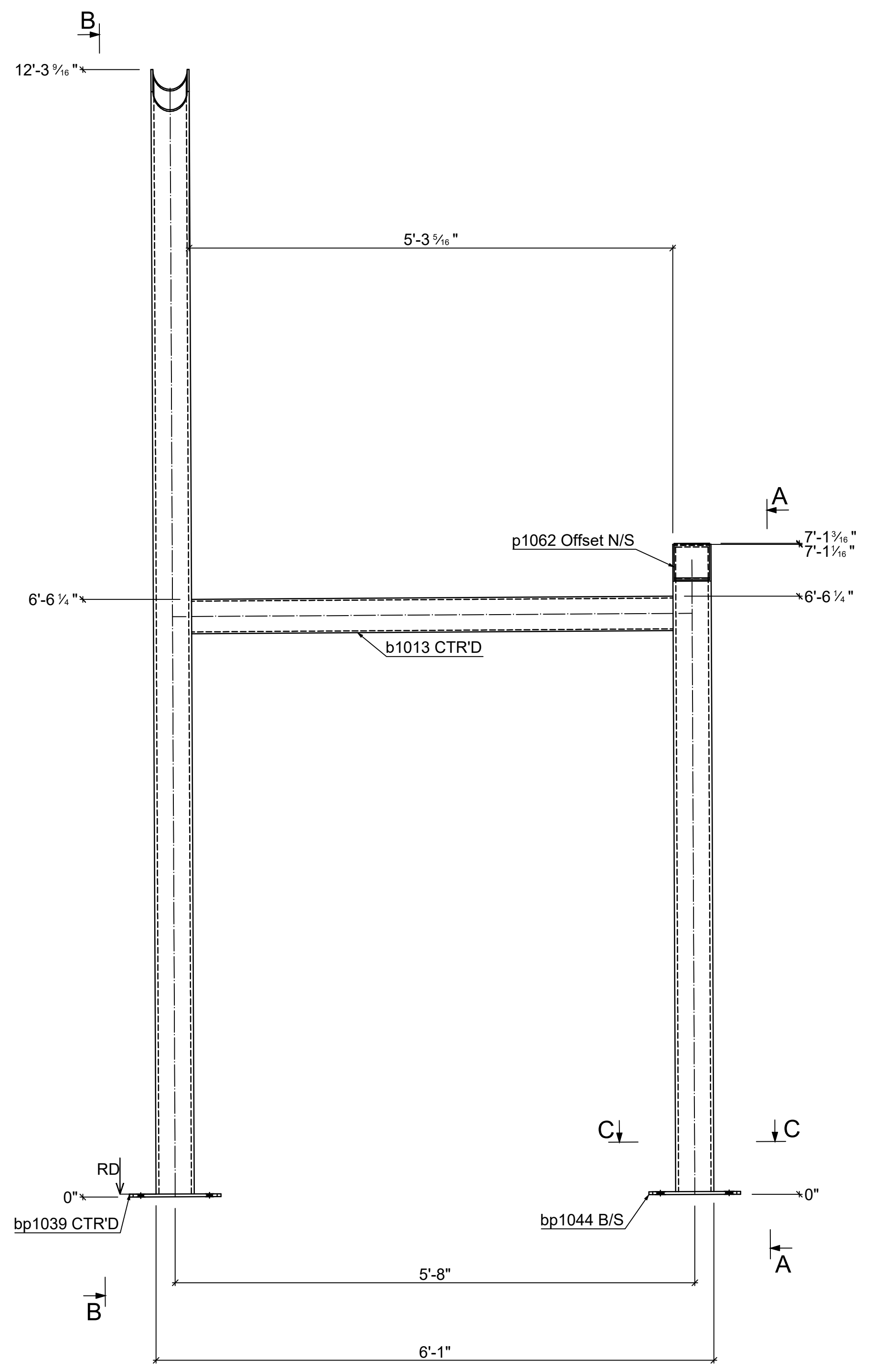
Quantity	Description	Length
8	5/8" HILTI KB3 TZ	0'-4 3/4"
8	ACORN NUTS	

1 - **B106** HSS5X5X3/8

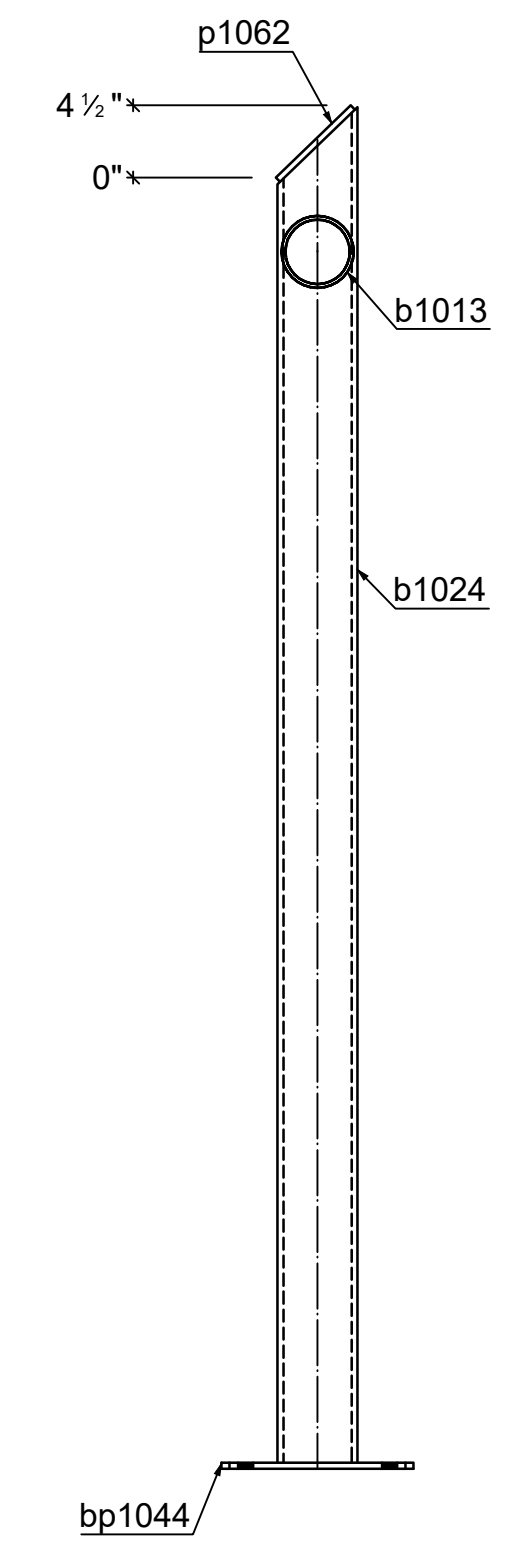
Mark	Quantity	Description	Length	Grade	Part weight	Total weight
SOR-CV-001-S1						
B107	1					
B107	1	HSS5X5X3/8	12'-3 3/16"	S304	279.60	279.60
b1024	1	HSS5X5X3/8	7'-0 3/4"	S304	160.96	160.96
b1013	1	Pipe4STD	5'-3"	S304	57.79	57.79
bp1039	1	PL 3/8"x12"x1'-0"	1'-0"	S304	15.58	15.58
bp1044	1	PL 3/8"x12"x1'-0"	1'-0"	S304	15.58	15.58
p1062	1	PL 3/8"x4-5/8"x0'-6 1/2"	0'-6 1/2"	S304	3.26	3.26
	6				532.77	532.77
	6				TOTAL:	532.77



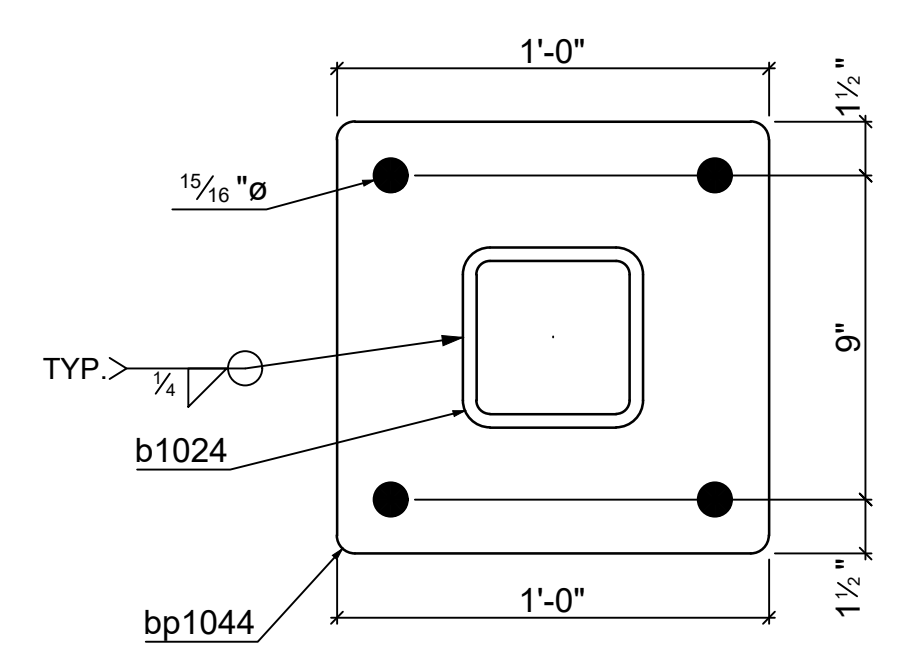
Section B - B



1 - **B107** HSS5X5X3/8



Section A - A



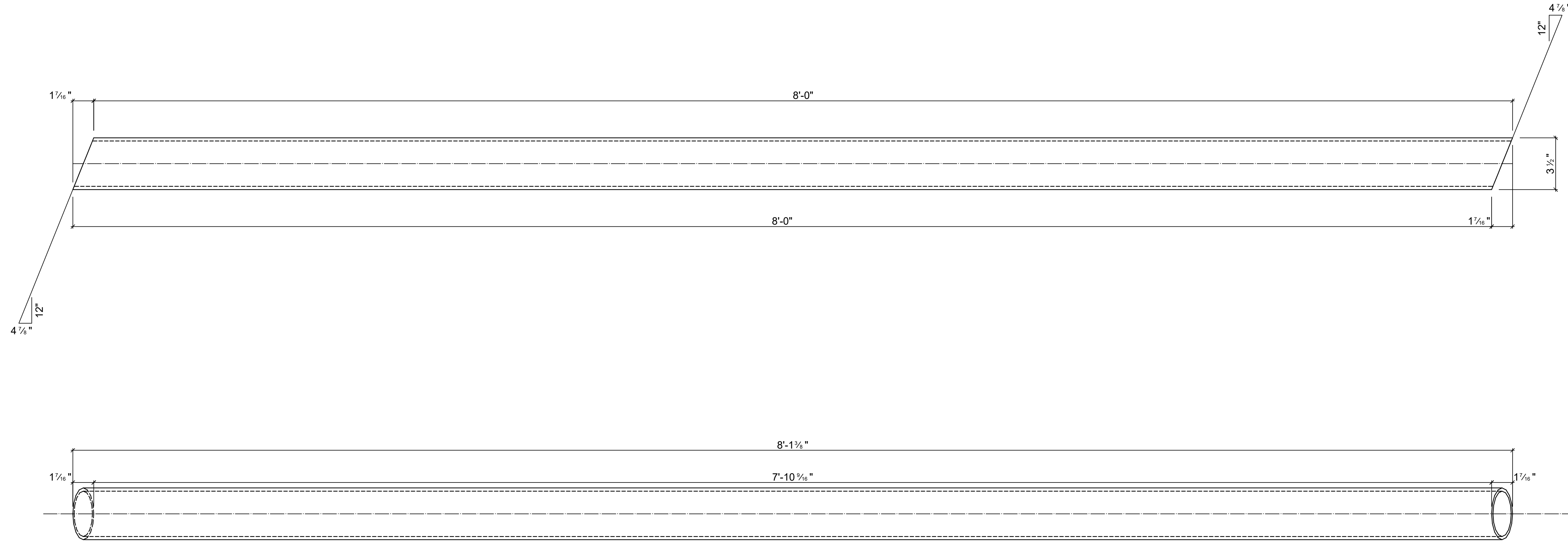
Section C - C

REV.	Date	BY	Description
A	5/7/2023	MJW	FOR APPROVAL
B	5/14/2023		FOR APPROVAL - PER JP REVIEW

<COMPANY NAME>			
<COMPANY ADDRESS>			
<PHONE NUMBER>			
STEEL SCOPE: <SCOPE>			
PROJ. / CLIENT: <CONTRACTOR>			
BUILDING: <BUILDING/SCOPE>			
LOCATION: <LOCATION>			
DATE: <DATE>			STATUS: Not Set
DRAWN BY: MJW		JOB NO:	SHEET NO: 107
CHECKED BY:			REV: B

Quantity	Description	Length
4	5/8"ø HILTI KB3 TZ	0'-4 3/4"
4	ACORN NUTS	

Mark	Quantity	Description	Length	Grade	Part weight	Total weight
SOR-CV-001-S1						
B108	1					
B108	1	Pipe3STD	8'-1 3/8"	S304	62.73	62.73
					62.73	62.73
	1				TOTAL:	62.73

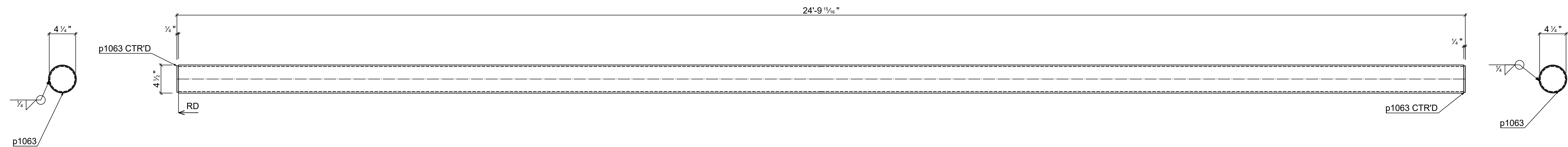


1 - **B108** Pipe3STD

REV.	Date	BY	Description
A	5/7/2023	MJW	FOR APPROVAL
B	5/14/2023		FOR APPROVAL - PER JP REVIEW

<COMPANY NAME>			
<COMPANY ADDRESS>			
<PHONE NUMBER>			
STEEL SCOPE: <SCOPE>			
PROJ. / CLIENT: <CONTRACTOR>			
BUILDING: <BUILDING/SCOPE>			
LOCATION: <LOCATION>			
DATE: <DATE>			STATUS: Not Set
DRAWN BY: MJW	JOB NO:	SHEET NO: 108	REV: B
CHECKED BY:			

Mark	Quantity	Description	Length	Grade	Part weight	Total weight
SOR-CV-001-S1						
B109	1					
B109	1	Pipe4STD	24'-9 7/16"	S304	272.85	272.85
p1063	2	PL 1/4"x4-1/4"x0'-4 1/4"	0'-4 1/4"	S304	1.00	2.00
	3				274.85	274.85
	3				TOTAL:	274.85



1 - **B109** Pipe4STD

REV.	Date	BY	Description
A	5/7/2023	MJW	FOR APPROVAL
B	5/14/2023		FOR APPROVAL - PER JP REVIEW

<COMPANY NAME>
 <COMPANY ADDRESS>
 <PHONE NUMBER>

STEEL SCOPE: <SCOPE>

PROJ. / CLIENT: <CONTRACTOR>

BUILDING: <BUILDING/SCOPE>

LOCATION: <LOCATION>

DATE: <DATE>

STATUS: Not Set

DRAWN BY: MJW

JOB NO:

SHEET NO:

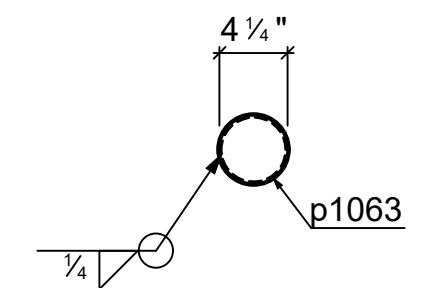
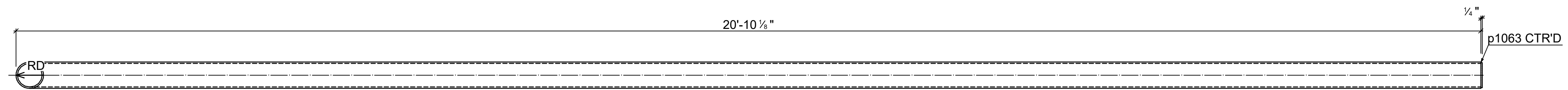
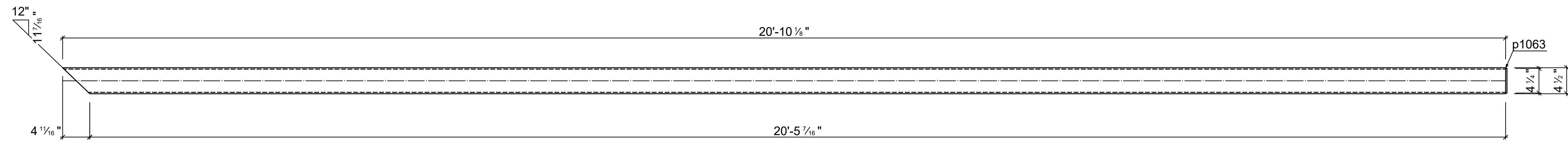
REV:

CHECKED BY:

109

B

Mark	Quantity	Description	Length	Grade	Part weight	Total weight
SOR-CV-001-S1						
B110	1					
B110	1	Pipe4STD	20'-10 1/8"	S304	229.47	229.47
p1063	1	PL 1/4"x4-1/4"x0'-4 1/4"	0'-4 1/4"	S304	1.00	1.00
	2				230.46	230.46
	2				TOTAL:	230.46



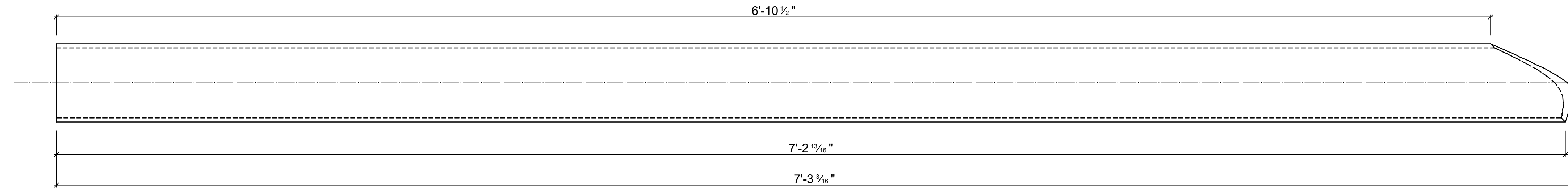
1 - **B110** Pipe4STD

REV.	Date	BY	Description
A	5/7/2023	MJW	FOR APPROVAL
B	5/14/2023		FOR APPROVAL - PER JP REVIEW

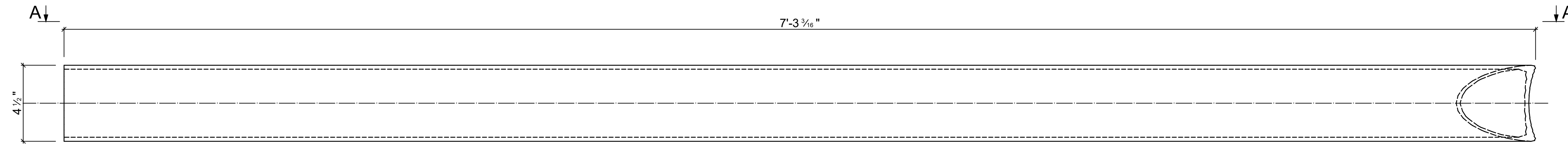
<COMPANY NAME>
 <COMPANY ADDRESS>
 <PHONE NUMBER>

STEEL SCOPE:	<SCOPE>
PROJ. / CLIENT:	<CONTRACTOR>
BUILDING:	<BUILDING/SCOPE>
LOCATION:	<LOCATION>
DATE:	<DATE>
DATE:	<DATE>
STATUS:	Not Set
DRAWN BY:	MJW
CHECKED BY:	
JOB NO:	
SHEET NO:	110
REV:	B

Mark	Quantity	Description	Length	Grade	Part weight	Total weight
SOR-CV-001-S1						
B111	1					
B111	1	Pipe4STD	7'-3 3/16"	S304	80.00	80.00
	1				80.00	80.00
	1				TOTAL:	80.00



Section A - A

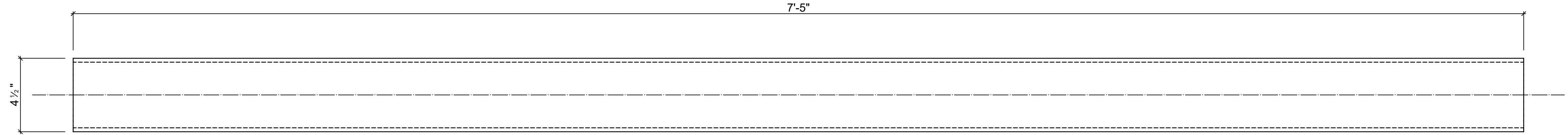


1 - **B111** Pipe4STD

REV.	Date	BY	Description
A	5/7/2023	MJW	FOR APPROVAL
B	5/14/2023		FOR APPROVAL - PER JP REVIEW

<COMPANY NAME>			
<COMPANY ADDRESS>			
<PHONE NUMBER>			
STEEL SCOPE: <SCOPE>			
PROJ. / CLIENT: <CONTRACTOR>			
BUILDING: <BUILDING/SCOPE>			
LOCATION: <LOCATION>			
DATE: <DATE>			STATUS: Not Set
DRAWN BY: MJW	JOB NO:	SHEET NO: 111	REV: B
CHECKED BY:			

Mark	Quantity	Description	Length	Grade	Part weight	Total weight
SOR-CV-001-S1						
B112	1					
B112	1	Pipe4STD	7'-5"	S304	81.64	81.64
	1				81.64	81.64
	1				TOTAL:	81.64

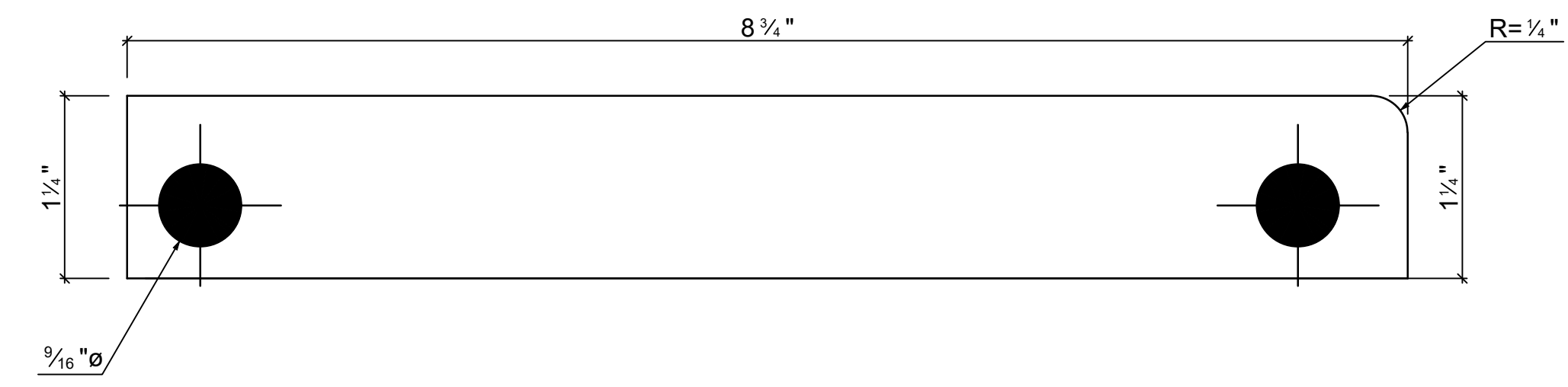


1 - **B112** Pipe4STD

REV.	Date	BY	Description
A	5/7/2023	MJW	FOR APPROVAL
B	5/14/2023		FOR APPROVAL - PER JP REVIEW

<COMPANY NAME>			
<COMPANY ADDRESS>			
<PHONE NUMBER>			
STEEL SCOPE: <SCOPE>			
PROJ. / CLIENT: <CONTRACTOR>			
BUILDING: <BUILDING/SCOPE>			
LOCATION: <LOCATION>			
DATE: <DATE>			STATUS: Not Set
DRAWN BY: MJW	JOB NO:	SHEET NO: 112	REV: B
CHECKED BY:			

Mark	Quantity	Description	Length	Grade	Part weight	Total weight
SOR-CV-003-S1						
P113	2					
P113	2	PL 3/16"x1-1/4"x0'-8 3/4"	0'-8 3/4"	S304	0.59	1.18
	2				0.59	1.18
	2				TOTAL:	1.18



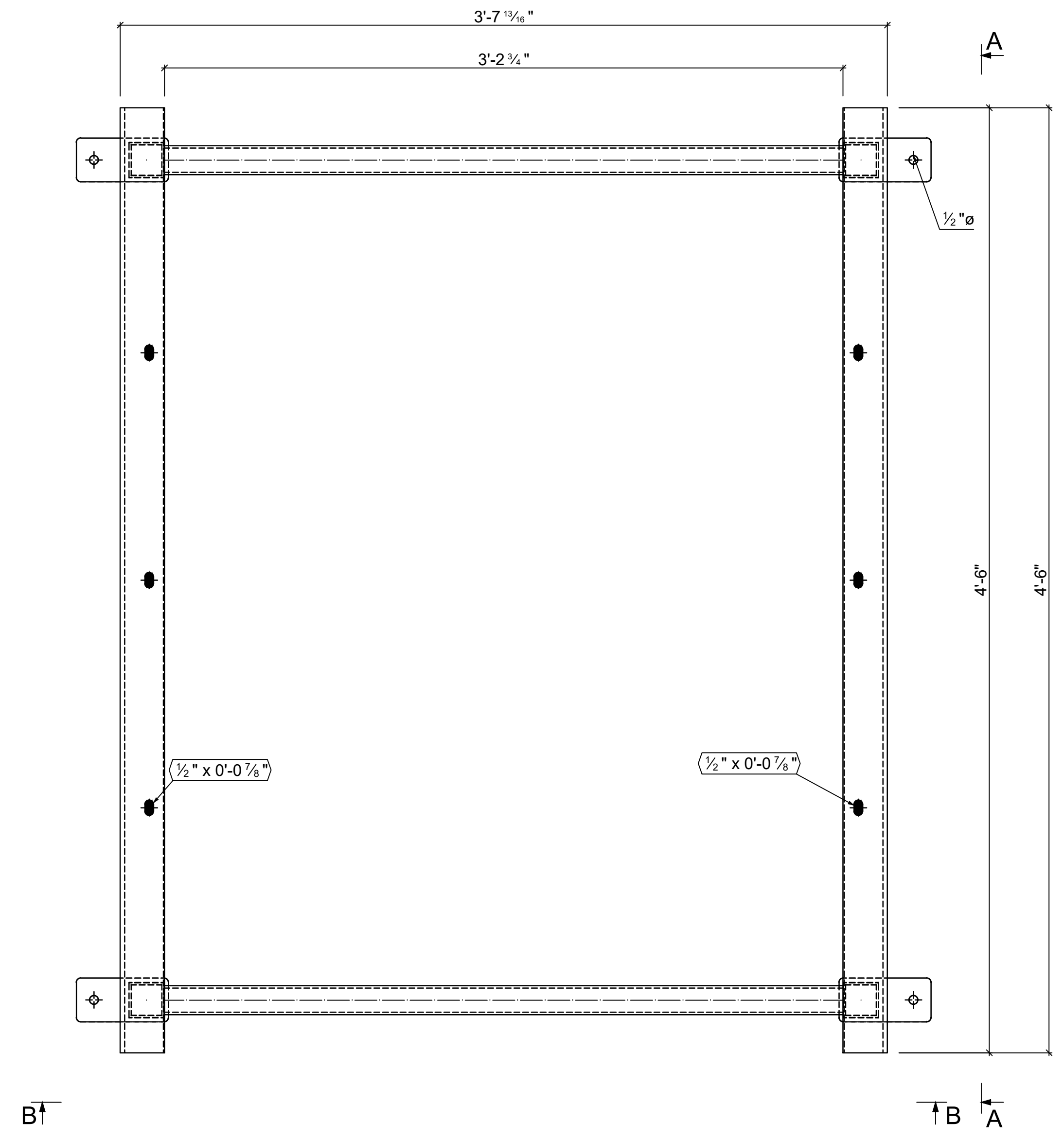
2 - **P113** PL 3/16"x1-1/4"x0'-8 3/4"



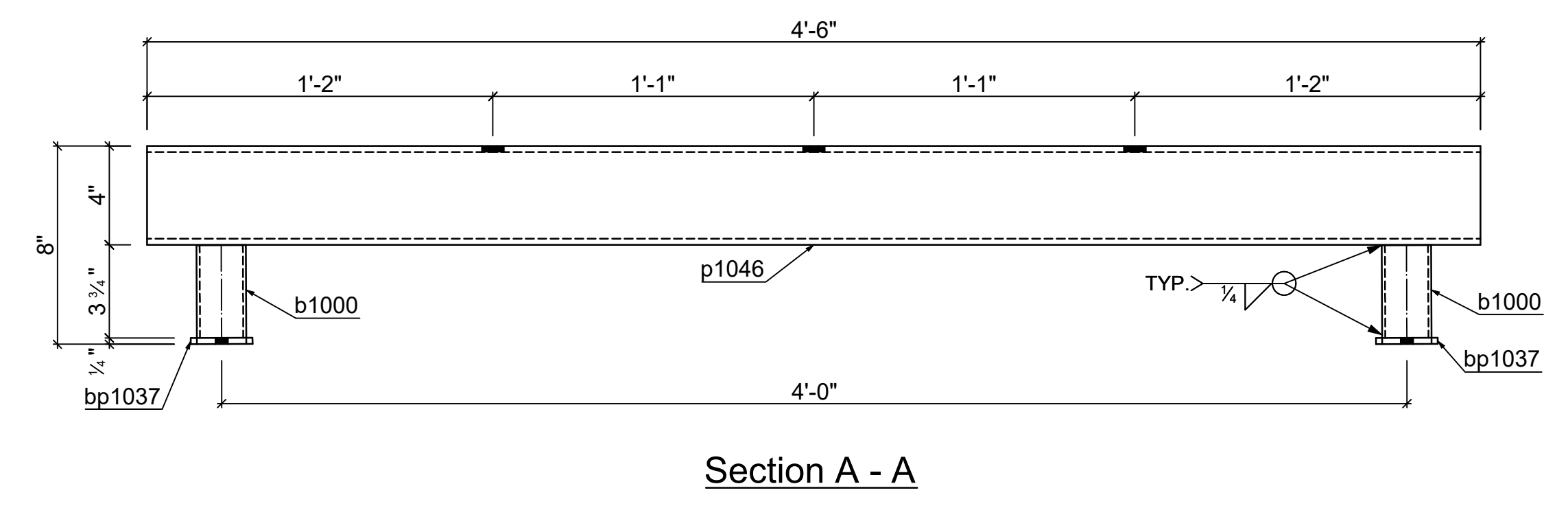
REV.	Date	BY	Description
A	5/7/2023	MJW	FOR APPROVAL
B	5/14/2023		FOR APPROVAL - PER JP REVIEW

<COMPANY NAME>			
<COMPANY ADDRESS>			
<PHONE NUMBER>			
STEEL SCOPE: <SCOPE>			
PROJ. / CLIENT: <CONTRACTOR>			
BUILDING: <BUILDING/SCOPE>			
LOCATION: <LOCATION>			
DATE: <DATE>			STATUS: Not Set
DRAWN BY: MJW	JOB NO:	SHEET NO: 113	REV: B
CHECKED BY:			

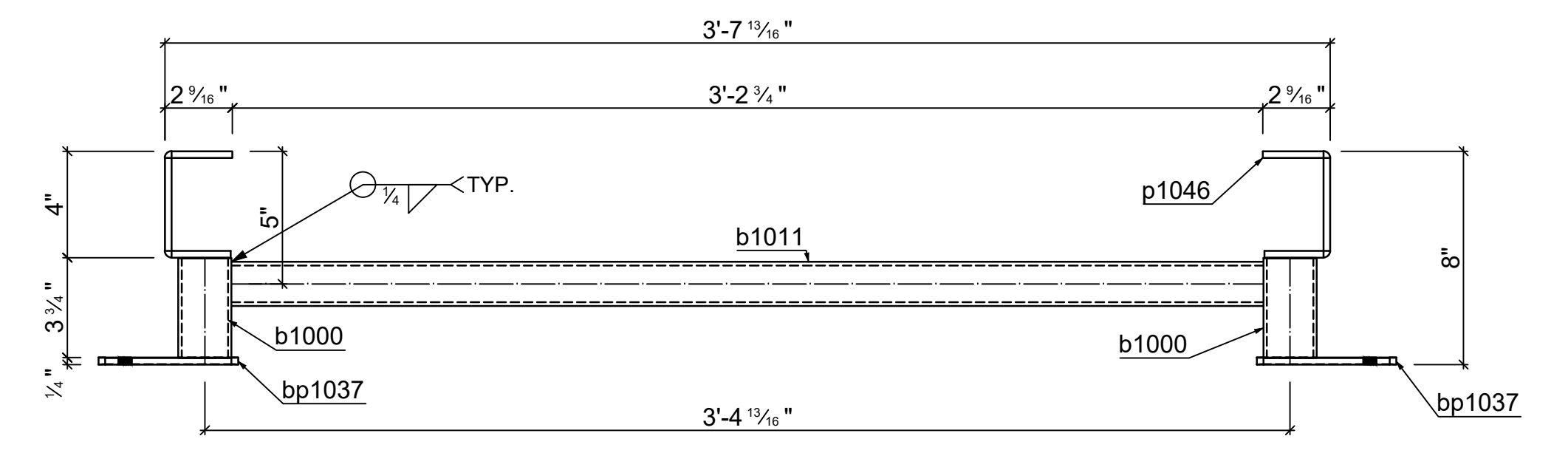
Mark	Quantity	Description	Length	Grade	Part weight	Total weight
SOR-CV-001						
P114	1					
P114	2	PL 1/4"x8"x4'-6"	4'-6"	S304	31.21	62.43
b1011	2	Pipe1-1/4STD	3'-2 13/16"	S304	7.50	15.00
b1000	4	HSS2X2X1/8	0'-3 3/4"	S304	0.97	3.89
bp1037	4	PL 1/4"x2-1/2"x0'-5 1/4"	0'-5 1/4"	S304	0.94	3.77
	12				85.08	85.08
	12				TOTAL:	85.08



1 - **P114** PL 1/4"x8"x4'-6"



Section A - A



Section B - B

REV.	Date	BY	Description
A	5/7/2023	MJW	FOR APPROVAL
B	5/14/2023		FOR APPROVAL - PER JP REVIEW

<COMPANY NAME>
 <COMPANY ADDRESS>
 <PHONE NUMBER>

STEEL SCOPE: <SCOPE>

PROJ. / CLIENT: <CONTRACTOR>

BUILDING: <BUILDING/SCOPE>

LOCATION: <LOCATION>

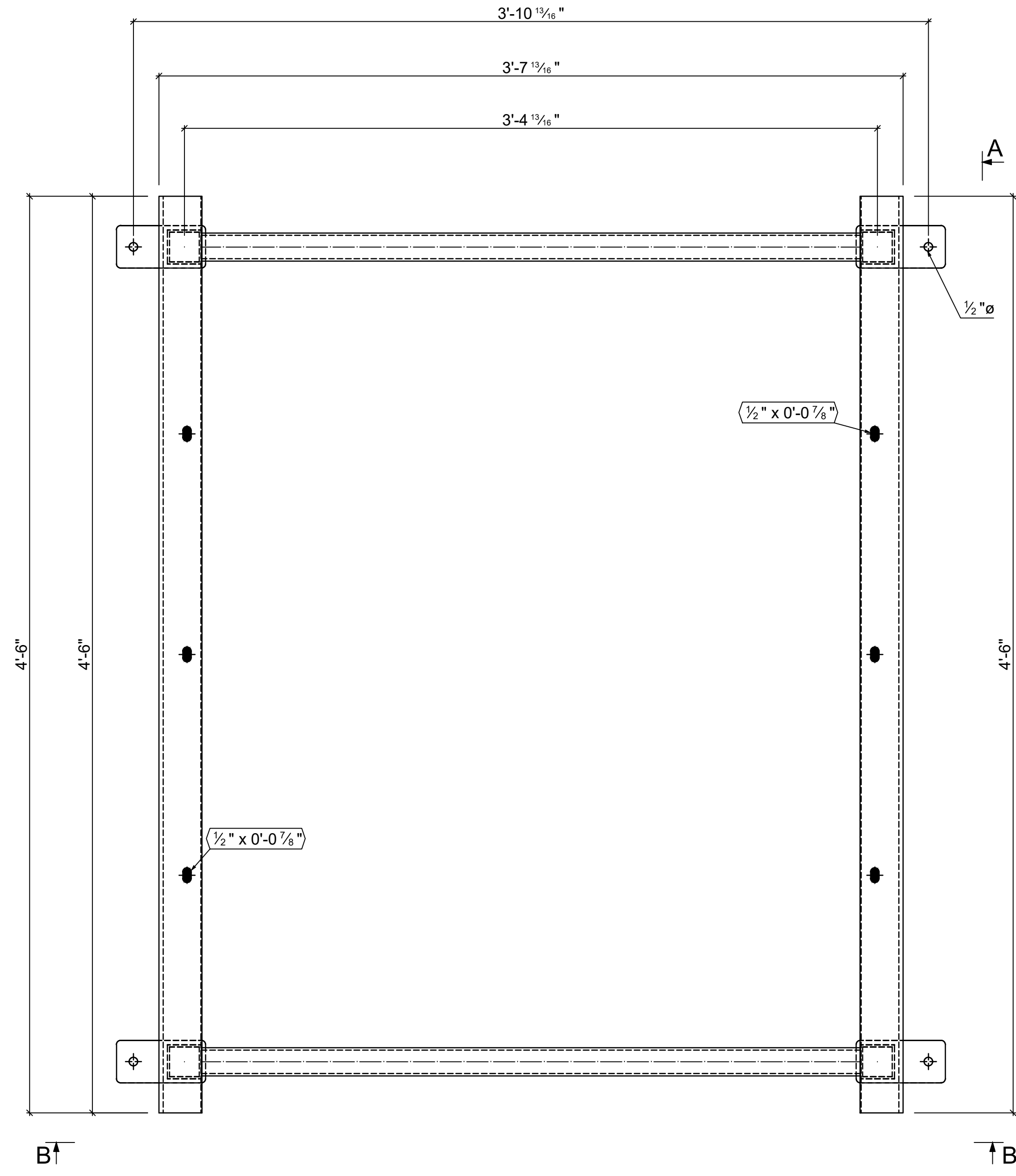
DATE: <DATE> STATUS: Not Set

DRAWN BY: MJW JOB NO: SHEET NO: 114 REV: B

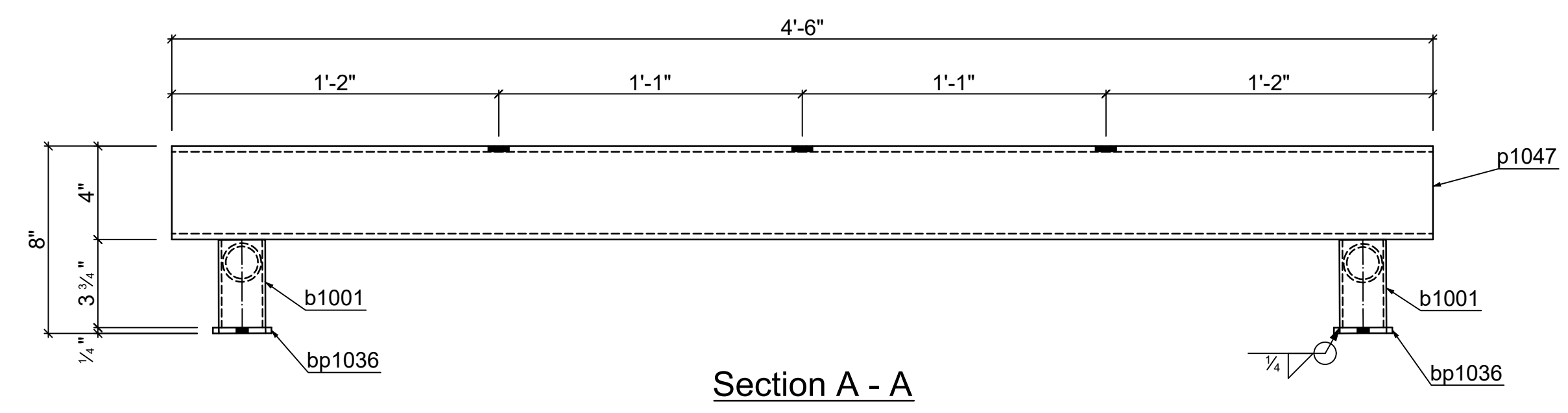
CHECKED BY:

Quantity	Description	Length
4	3/8" ø HILTI KB3 TZ	0'-5"
4	ACORN NUTS	

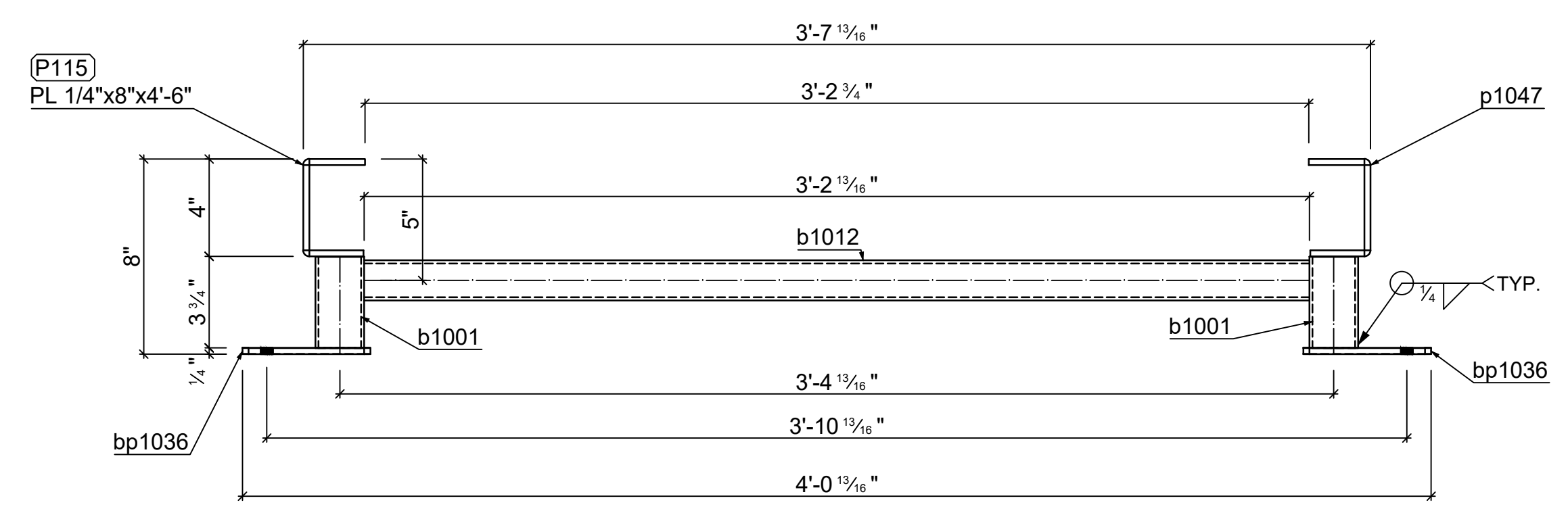
Mark	Quantity	Description	Length	Grade	Part weight	Total weight
SOR-CV-002						
P115	1					
P115	2	PL 1/4"x8"x4'-6"	4'-6"	S304	31.21	62.43
b1012	2	Pipe 1-1/4STD	3'-2 13/16"	S304	7.50	15.00
b1001	4	HSS2X2X1/8	0'-3 3/4"	S304	0.97	3.89
bp1036	4	PL 1/4"x2-1/2"x0'-5 1/4"	0'-5 1/4"	S304	0.94	3.77
	12				85.08	85.08
	12				TOTAL:	85.08



1 - **P115** PL 1/4"x8"x4'-6"



Section A - A



Section B - B

REV.	Date	BY	Description
A	5/7/2023	MJW	FOR APPROVAL
B	5/14/2023		FOR APPROVAL - PER JP REVIEW

<COMPANY NAME>

<COMPANY ADDRESS>
<PHONE NUMBER>

STEEL SCOPE: <SCOPE>

PROJ. / CLIENT: <CONTRACTOR>

BUILDING: <BUILDING/SCOPE>

LOCATION: <LOCATION>

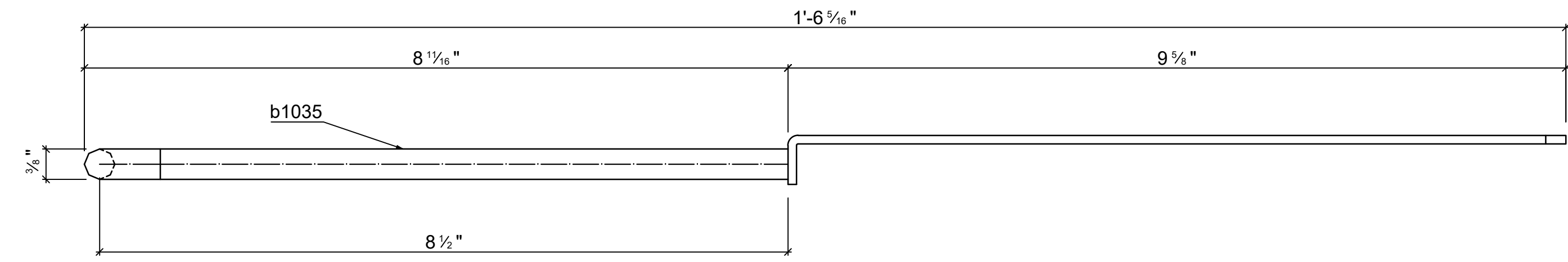
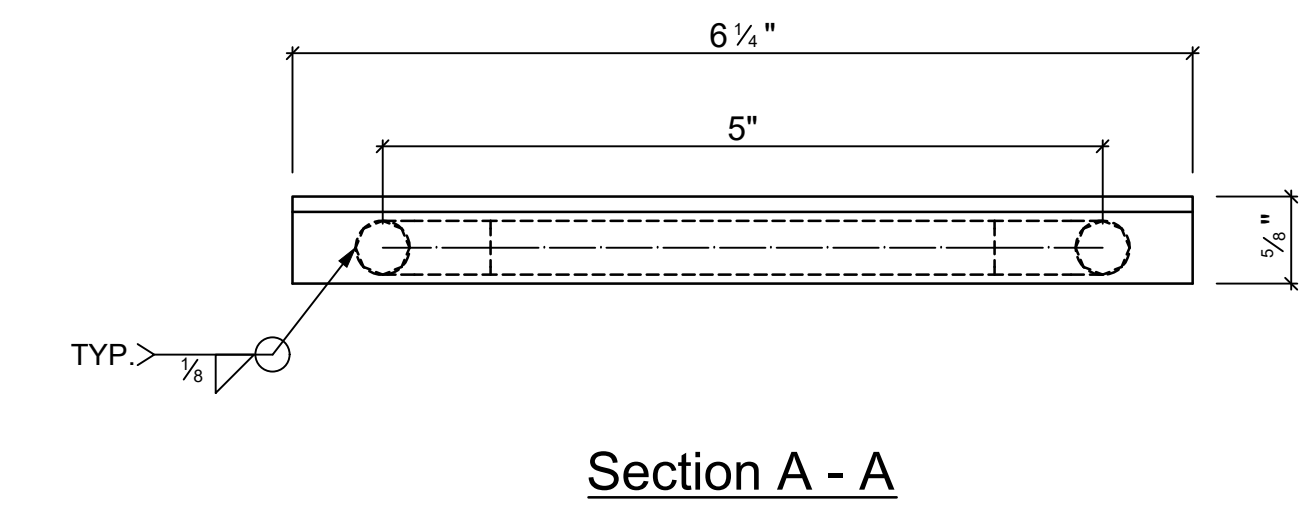
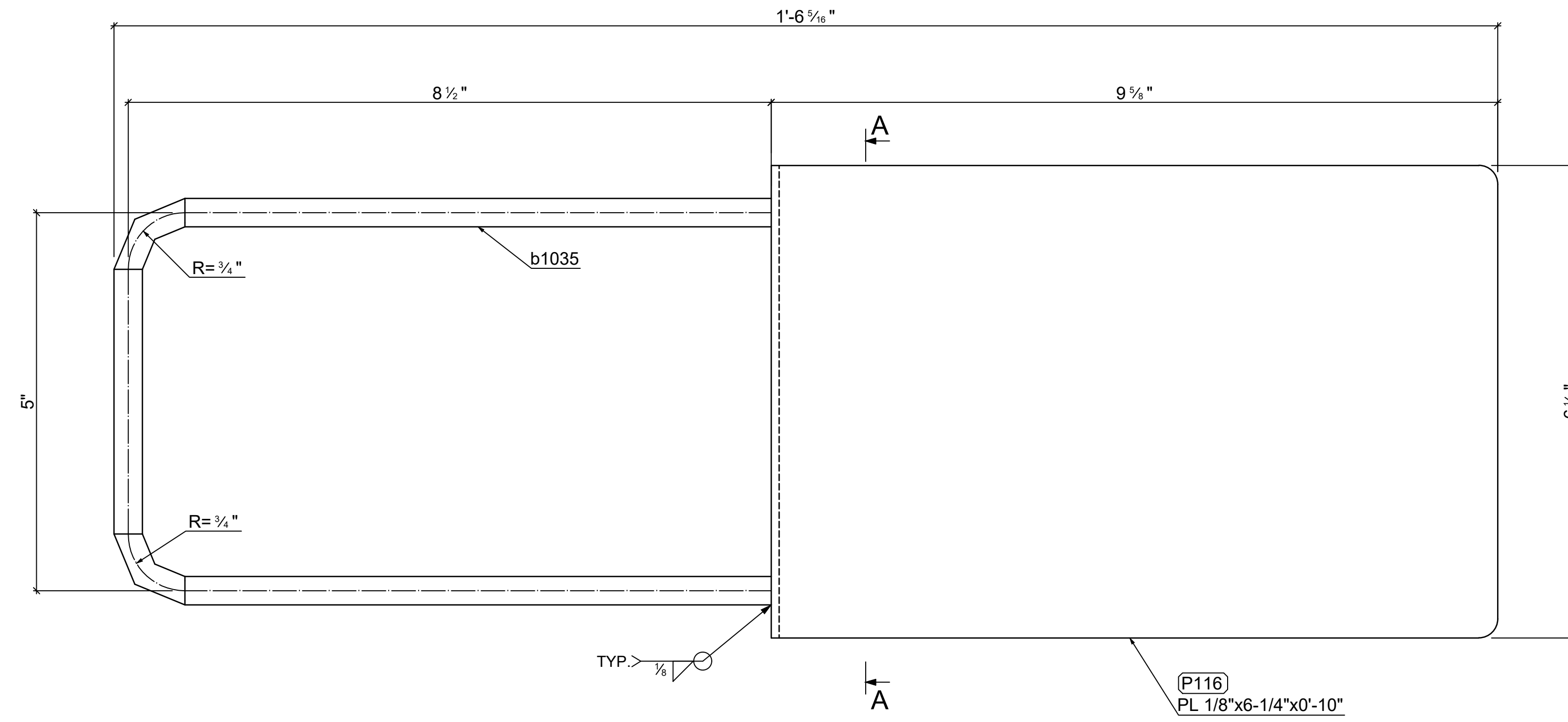
DATE: <DATE> STATUS: Not Set

DRAWN BY: MJW JOB NO: SHEET NO: **115** REV: **B**

CHECKED BY:

Quantity	Description	Length
4	3/8" HILTI KB3 TZ	0'-5"
4	ACORN NUTS	

Mark	Quantity	Description	Length	Grade	Part weight	Total weight
SOR-CV-002-S1						
P116	1					
P116	1	PL 1/8"x6-1/4"x0'-10"	0'-10"	S304	1.91	1.91
b1035	1	RB 3/8	1'-9 3/8"	S304	0.68	0.68
	2				2.59	2.59
	2				TOTAL:	2.59

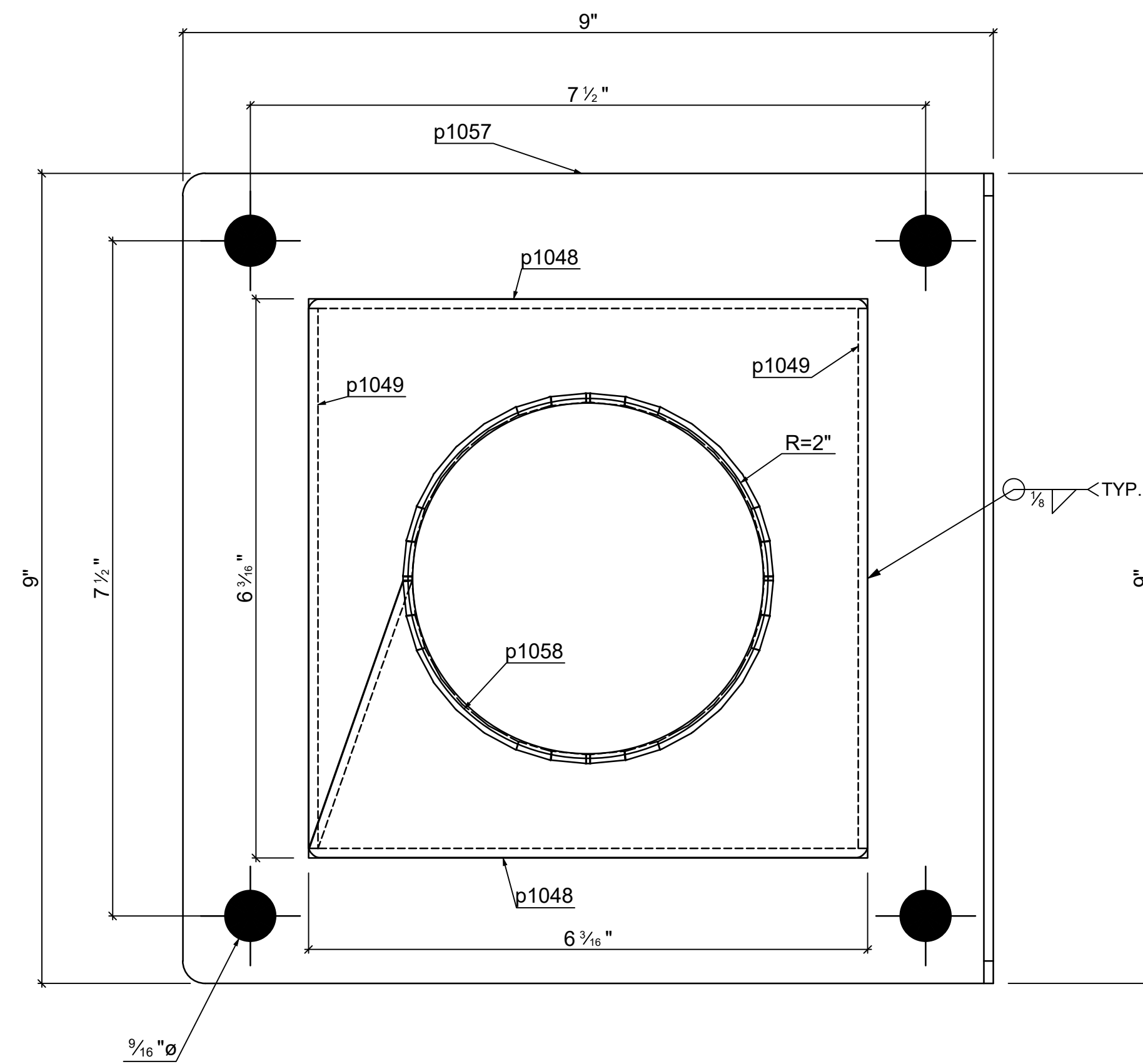
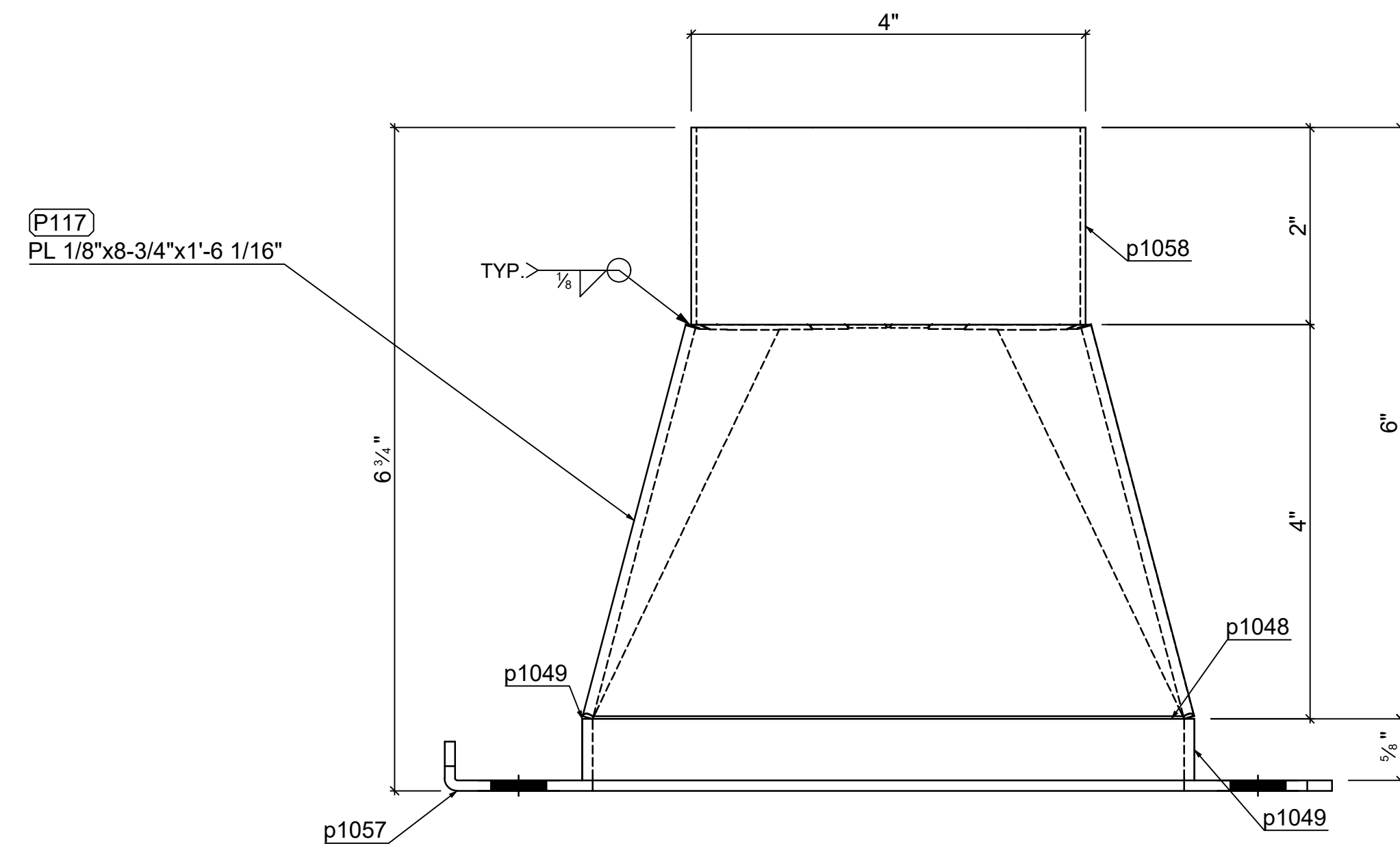


1 - (P116) PL 1/8"x6-1/4"x0'-10"

REV.	Date	BY	Description
A	5/7/2023	MJW	FOR APPROVAL
B	5/14/2023		FOR APPROVAL - PER JP REVIEW

<COMPANY NAME>			
<COMPANY ADDRESS>			
<PHONE NUMBER>			
STEEL SCOPE: <SCOPE>			
PROJ. / CLIENT: <CONTRACTOR>			
BUILDING: <BUILDING/SCOPE>			
LOCATION: <LOCATION>			
DATE: <DATE>			STATUS: Not Set
DRAWN BY: MJW	JOB NO:	SHEET NO: 116	REV: B
CHECKED BY:			

Mark	Quantity	Description	Length	Grade	Part weight	Total weight
SOR-CV-002-S1						
P117	1	Folded Plate				
P117	1	PL 1/8"x8-3/4"x1'-6 1/16"	1'-6 1/16"	S304	3.45	3.45
p1058	1	PL 2"x4"x0'-4"	0'-4"	S304	7.08	7.08
p1057	1	PL 1/8"x9"x0'-9 5/16"	0'-9 5/16"	S304	2.55	2.55
p1048	2	PL 1/8"x5/8"x0'-6 3/16"	0'-6 3/16"	S304	0.12	0.24
p1049	2	PL 1/8"x5/8"x0'-6"	0'-6"	S304	0.11	0.23
	7				13.55	13.55
	7				TOTAL:	13.55



1 - P117 PL 1/8"x8-3/4"x1'-6 1/16"

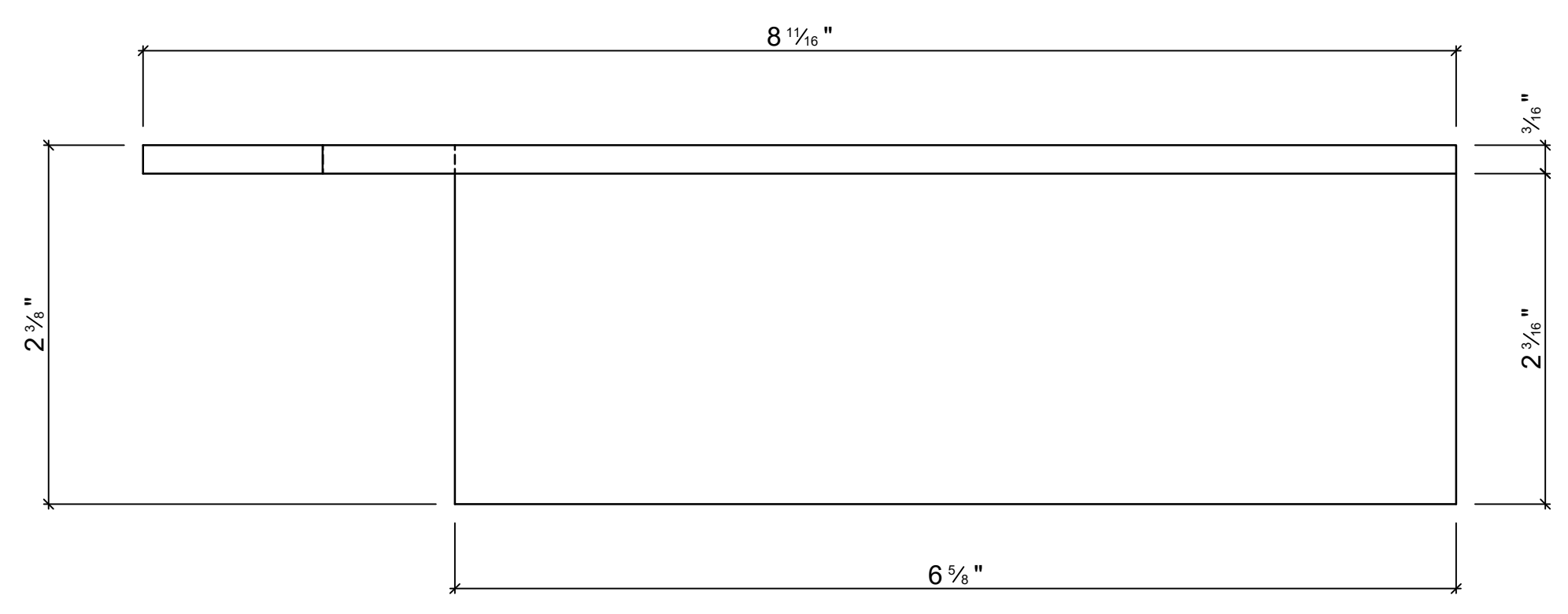
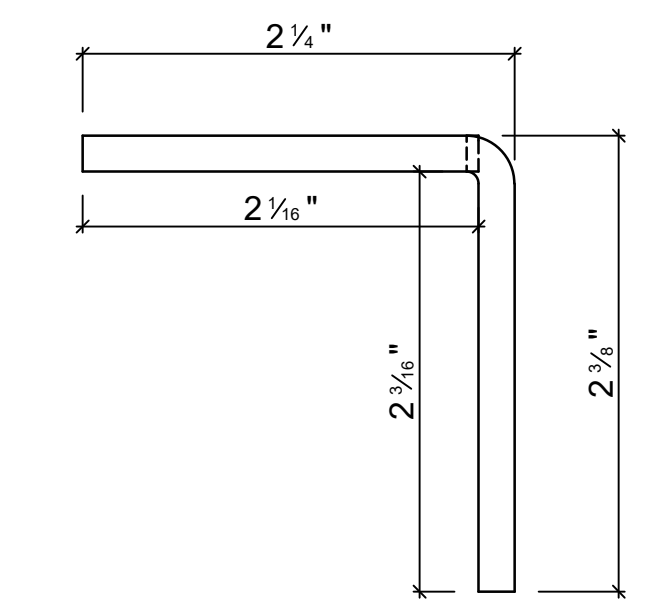
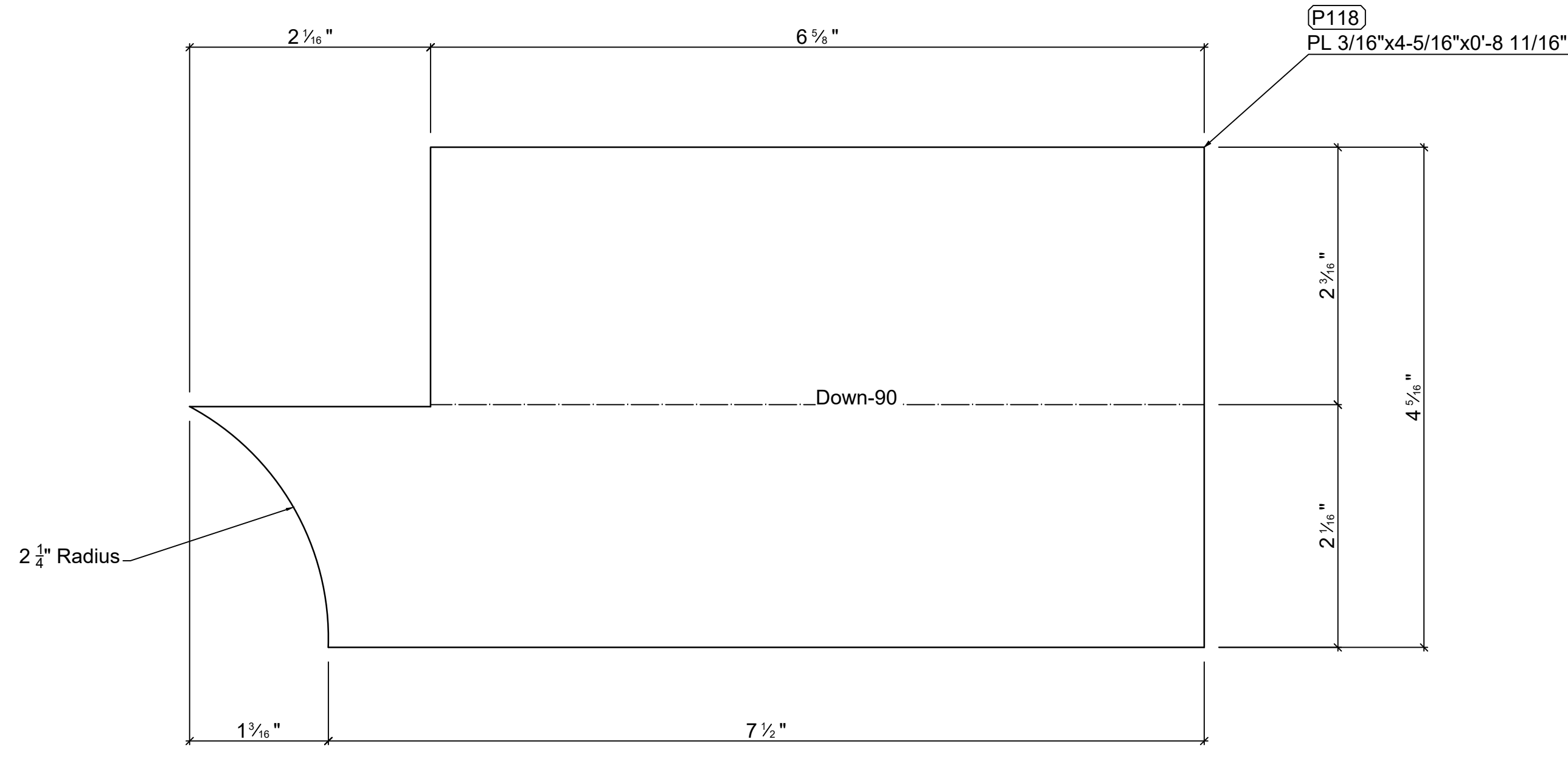
REV.	Date	BY	Description
A	5/7/2023	MJW	FOR APPROVAL
B	5/14/2023		FOR APPROVAL - PER JP REVIEW

<COMPANY NAME>
 <COMPANY ADDRESS>
 <PHONE NUMBER>

STEEL SCOPE:	<SCOPE>
PROJ. / CLIENT:	<CONTRACTOR>
BUILDING:	<BUILDING/SCOPE>
LOCATION:	<LOCATION>
DATE:	<DATE>
STATUS:	Not Set
DRAWN BY:	MJW
JOB NO:	
SHEET NO:	117
REV:	B
CHECKED BY:	

Quantity	Description	Length
4	1/2" A307	0'-1 1/2"

Mark	Quantity	Description	Length	Grade	Part weight	Total weight
SOR-CV-001-S1						
P118	16					
P118	16	PL 3/16"x4-5/16"x0'-8 11/16"	0'-8 11/16"	S304	1.83	29.22
					1.83	29.22
	16				TOTAL:	29.22

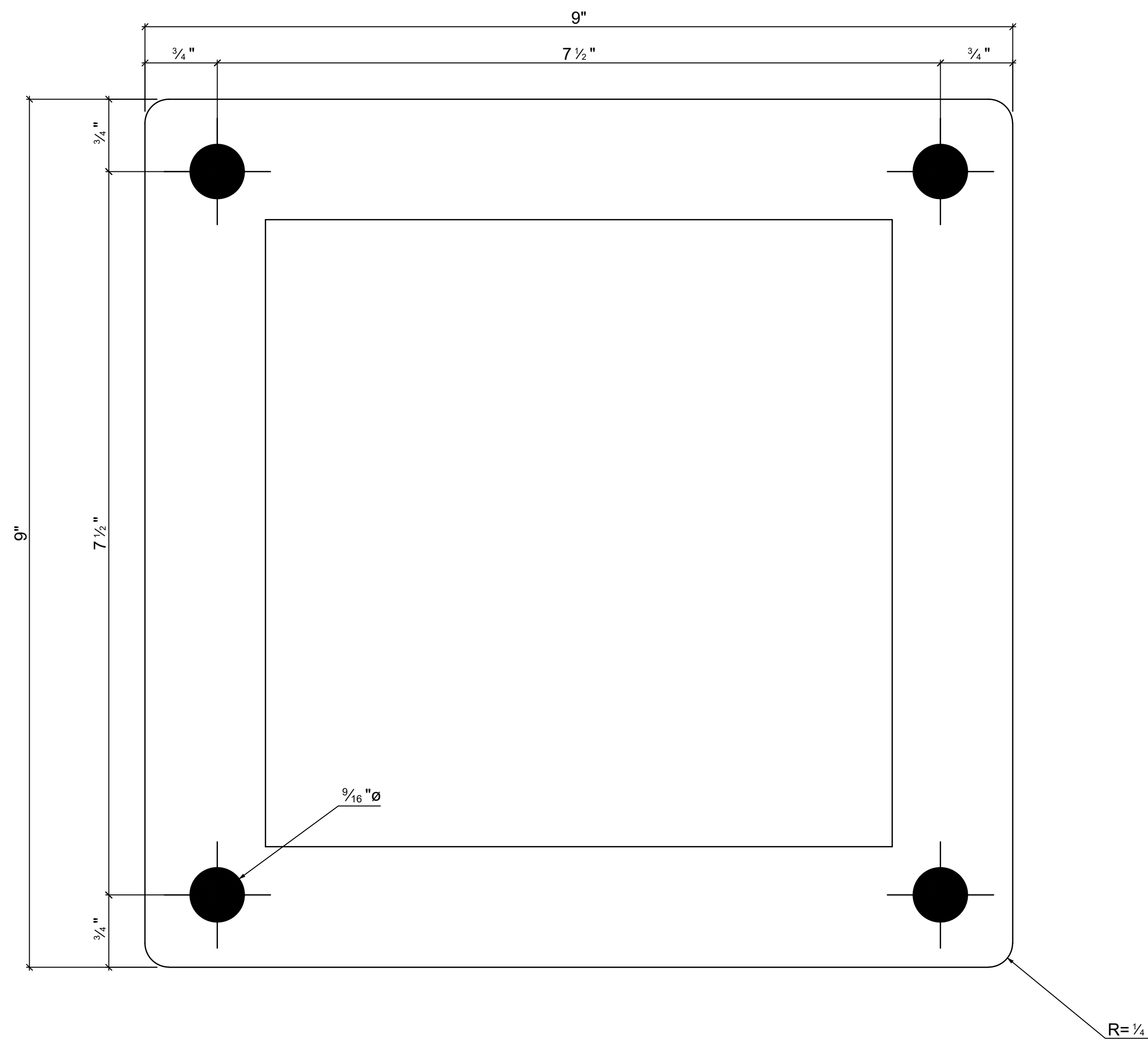


16 - **P118** PL 3/16"x4-5/16"x0'-8 11/16"

REV.	Date	BY	Description
A	5/7/2023	MJW	FOR APPROVAL
B	5/14/2023		FOR APPROVAL - PER JP REVIEW

<COMPANY NAME>			
<COMPANY ADDRESS>			
<PHONE NUMBER>			
STEEL SCOPE: <SCOPE>			
PROJ. / CLIENT: <CONTRACTOR>			
BUILDING: <BUILDING/SCOPE>			
LOCATION: <LOCATION>			
DATE: <DATE>			STATUS: Not Set
DRAWN BY: MJW	JOB NO:	SHEET NO: 118	REV: B
CHECKED BY:			

Mark	Quantity	Description	Length	Grade	Part weight	Total weight
SOR-CV-002-S1						
P119	1				4.39	4.39
P119	1	PL 3/16"x9"x0'-9"	0'-9"	S304	4.39	4.39
	1				TOTAL:	4.39



1 - **P119** PL 3/16"x9"x0'-9"

REV.	Date	BY	Description
A	5/7/2023	MJW	FOR APPROVAL
B	5/14/2023		FOR APPROVAL - PER JP REVIEW

<COMPANY NAME>			
<COMPANY ADDRESS>			
<PHONE NUMBER>			
STEEL SCOPE: <SCOPE>			
PROJ. / CLIENT: <CONTRACTOR>			
BUILDING: <BUILDING/SCOPE>			
LOCATION: <LOCATION>			
DATE: <DATE>			STATUS: Not Set
DRAWN BY: MJW	JOB NO:	SHEET NO: 119	REV: B
CHECKED BY:			