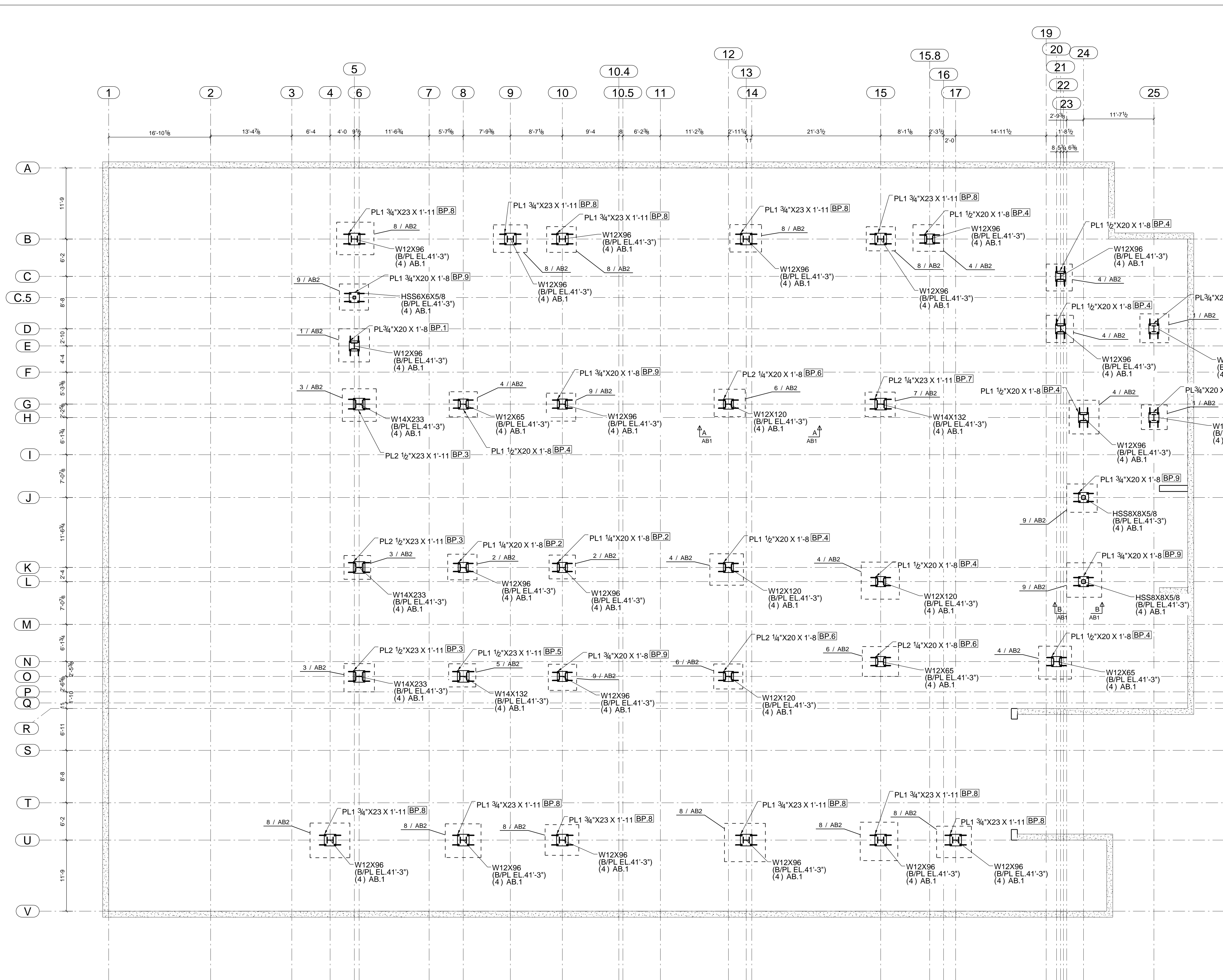
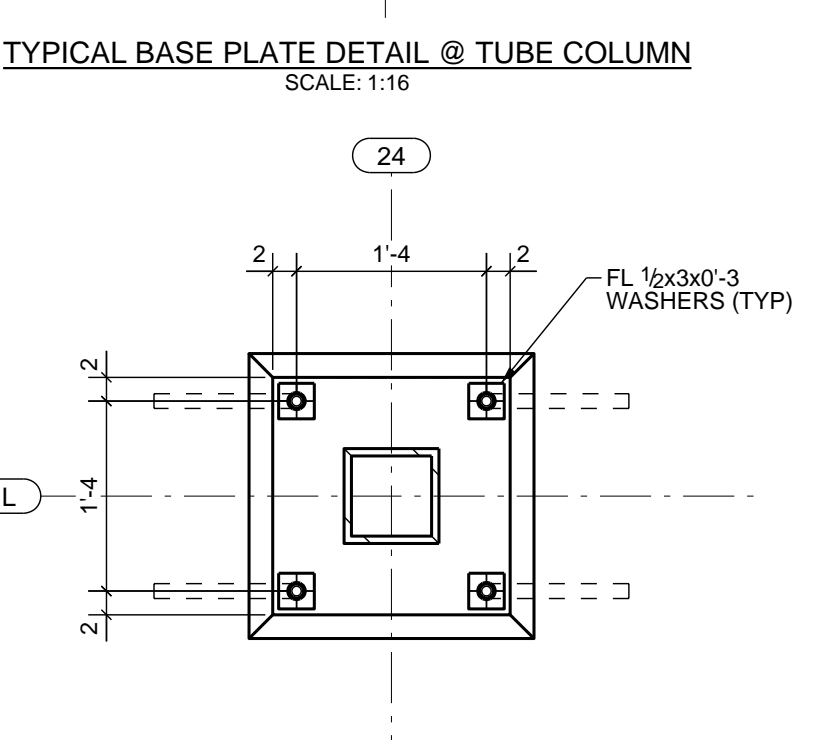
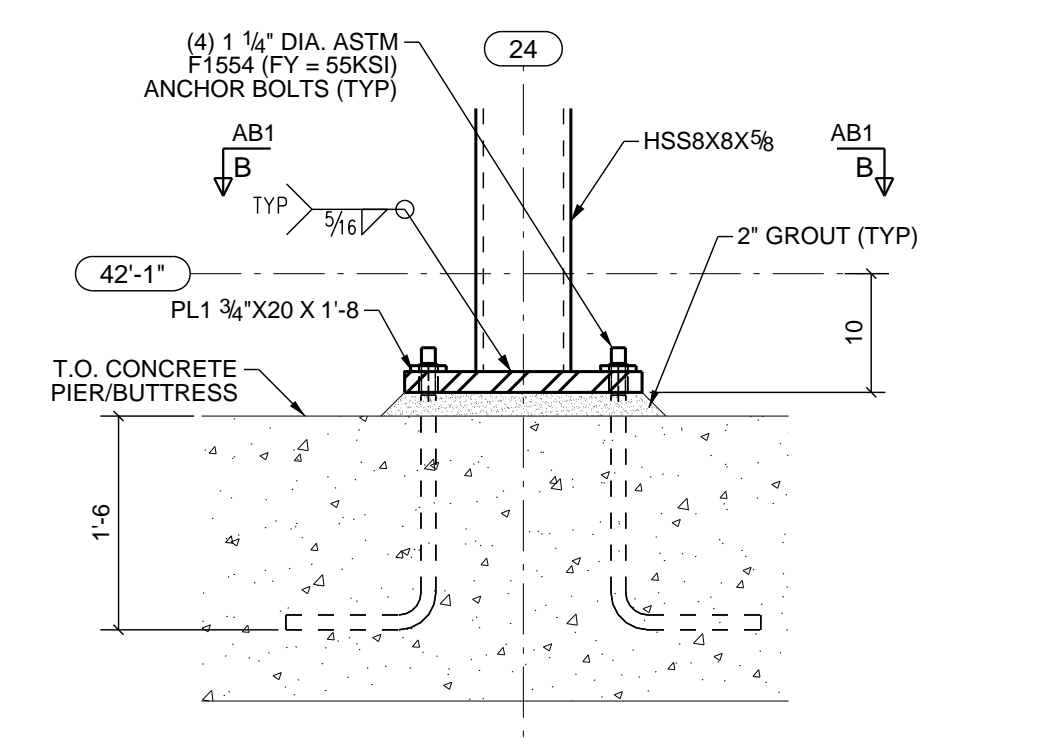
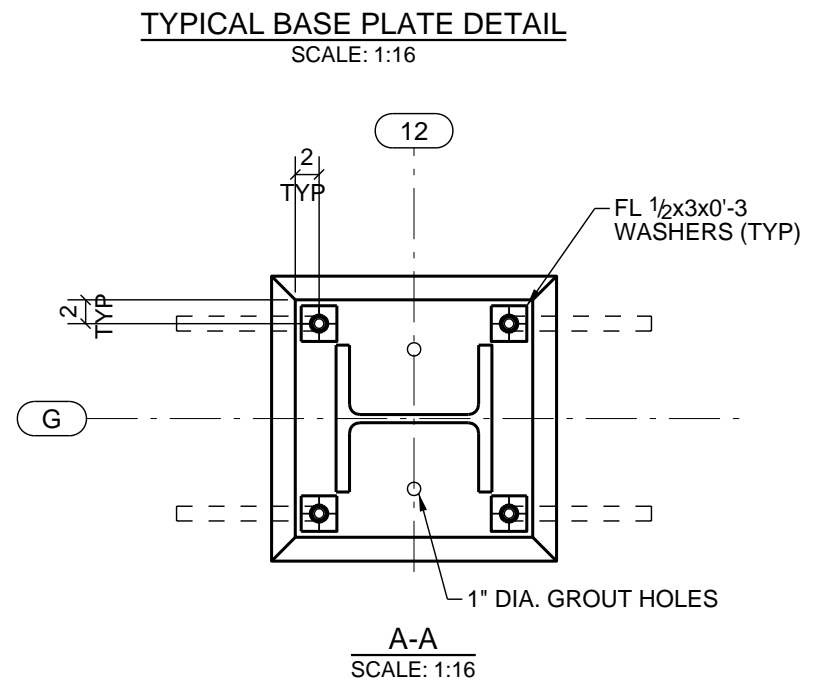
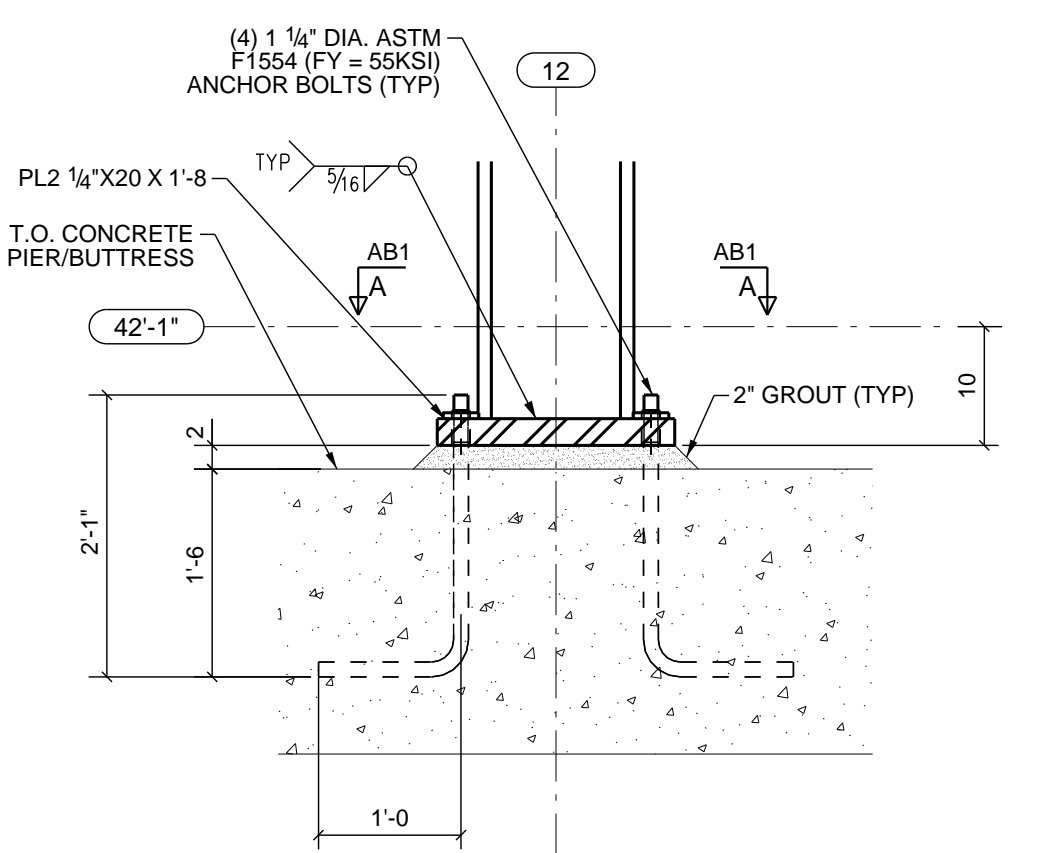
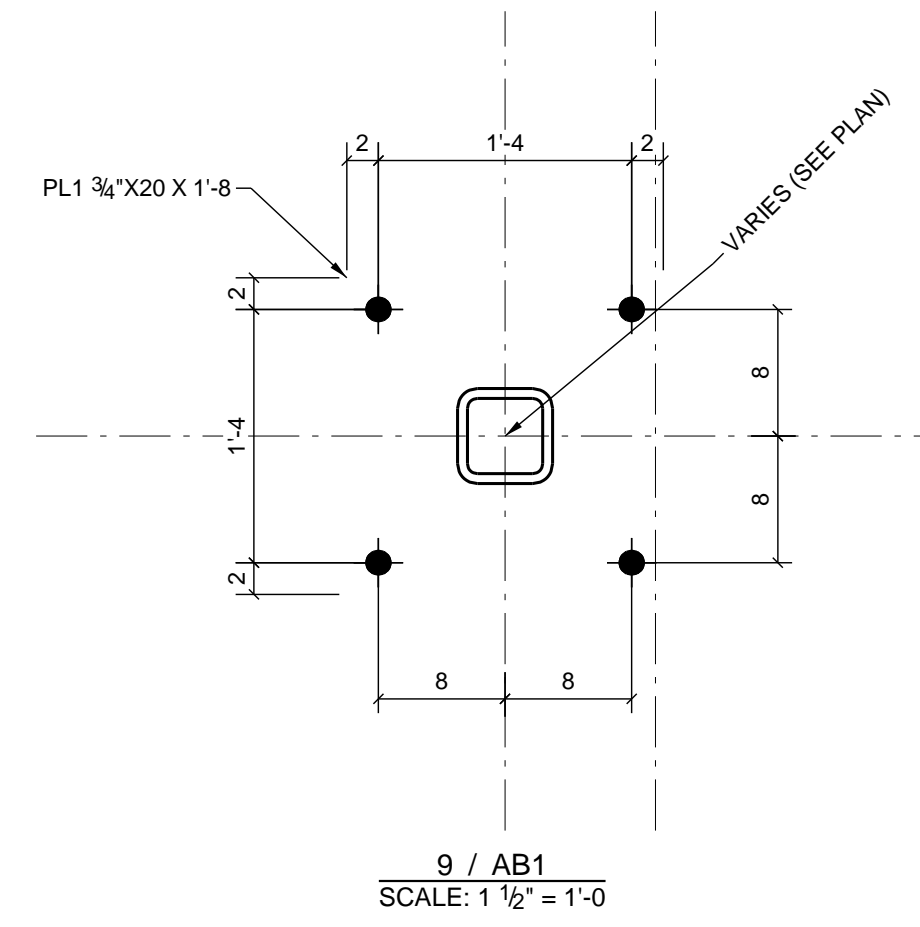
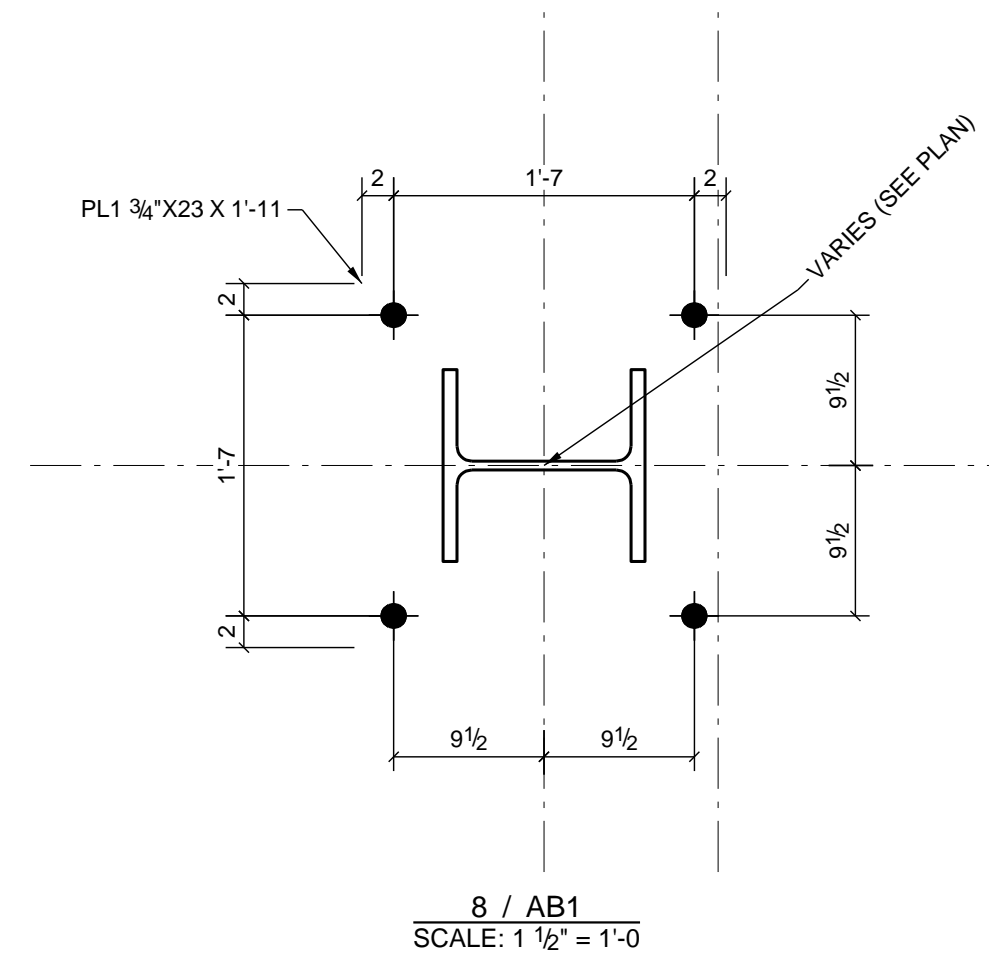
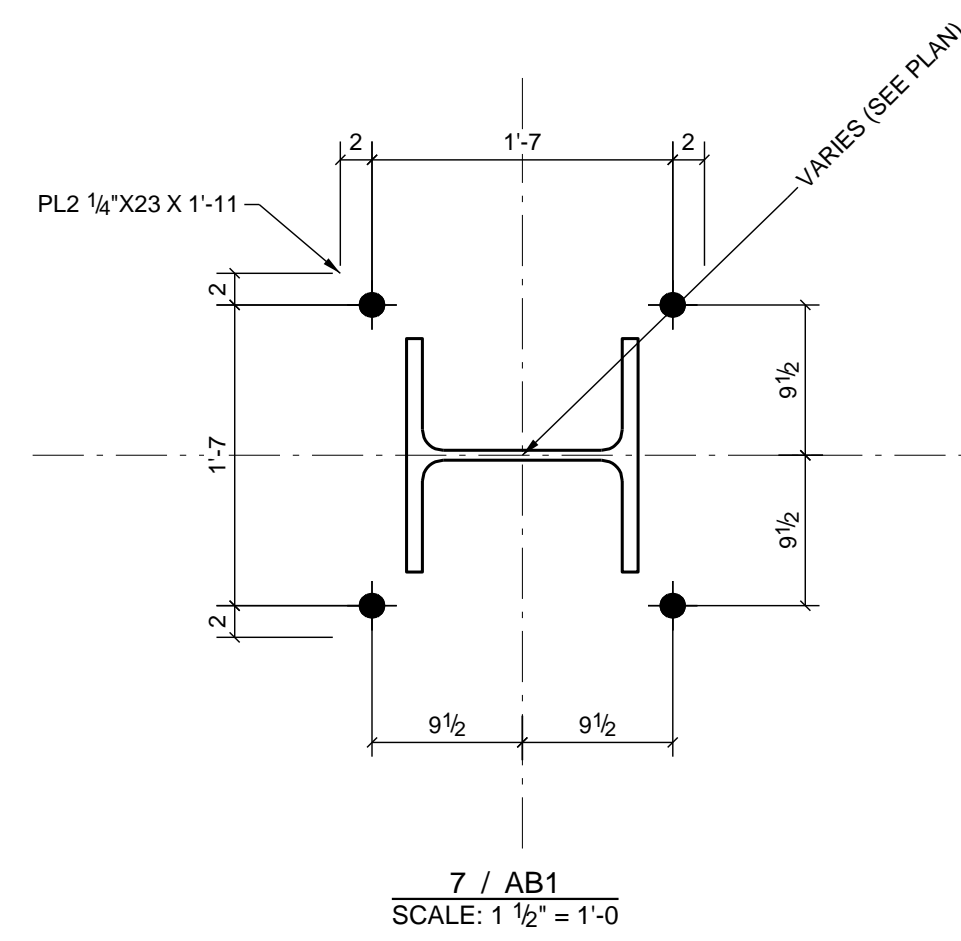
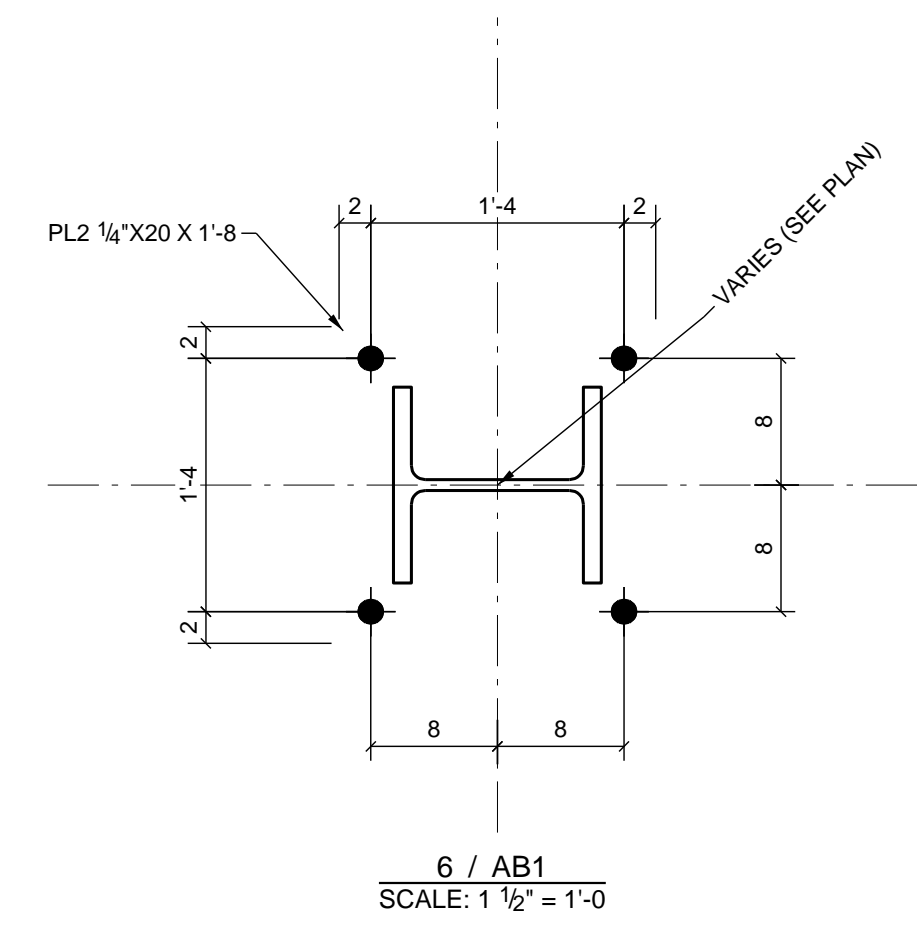
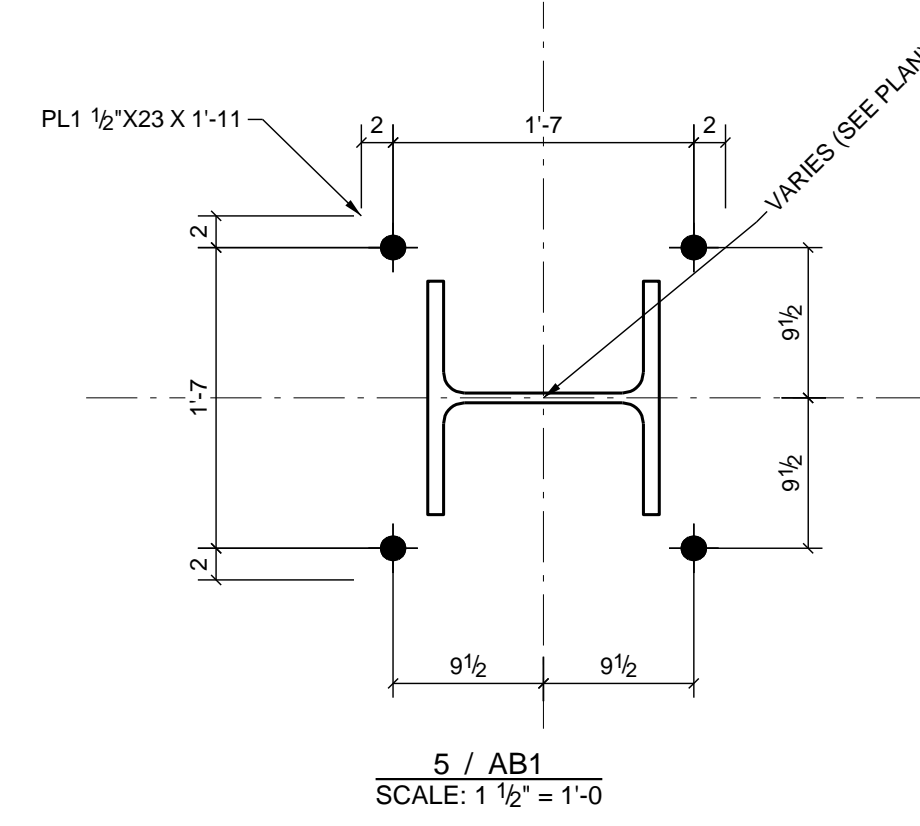
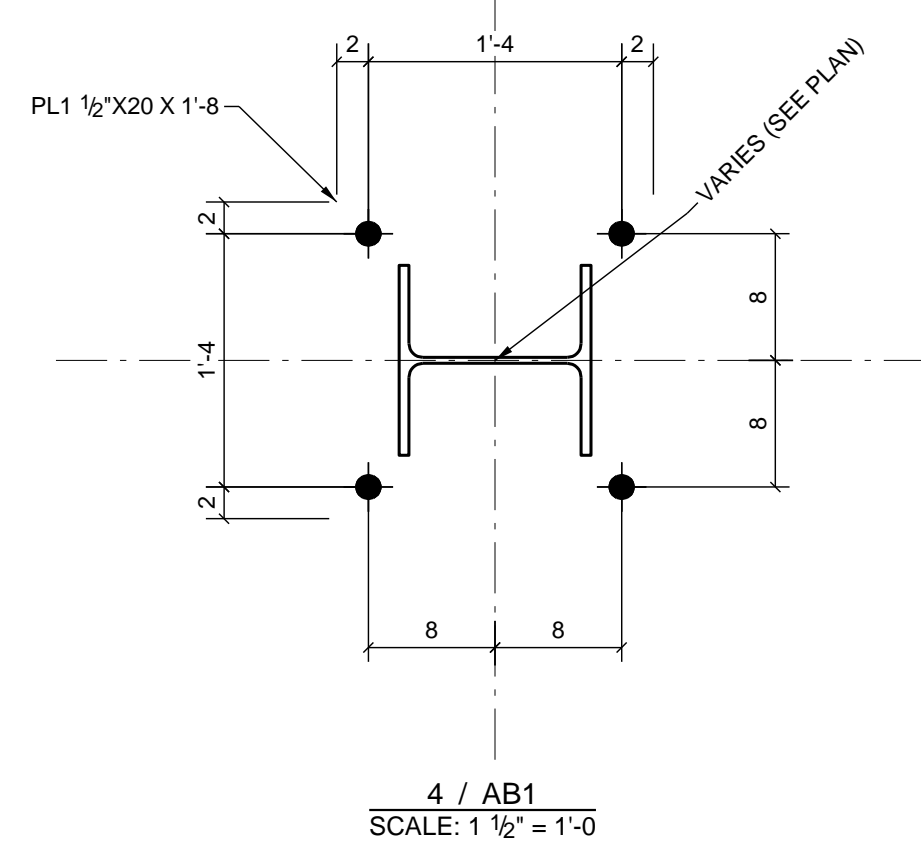
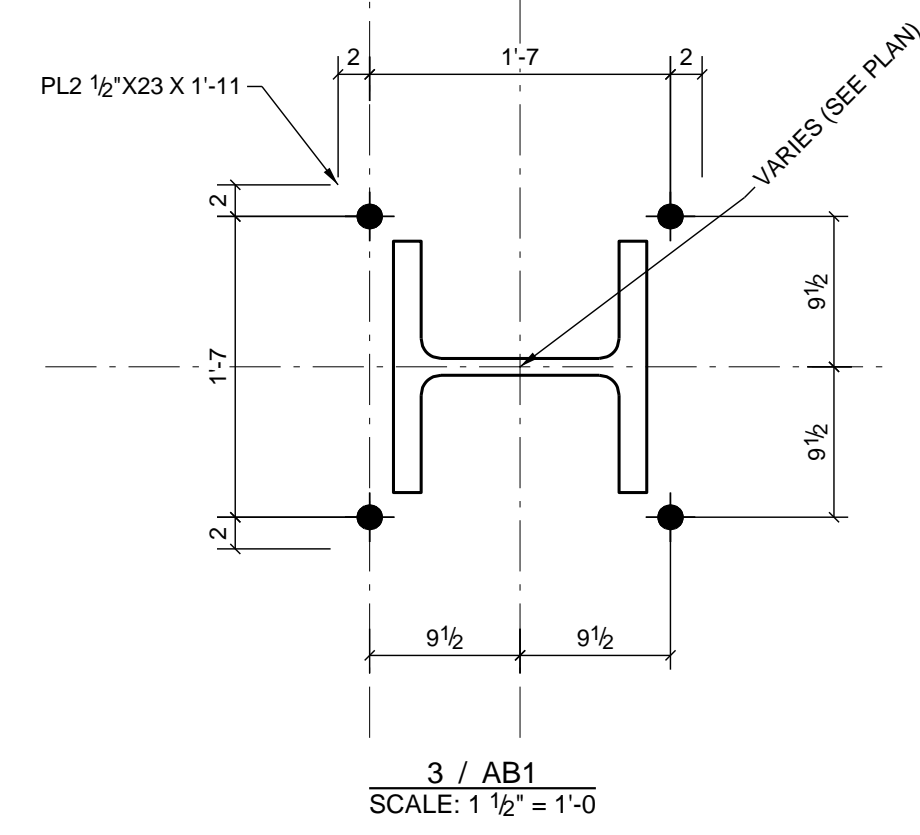
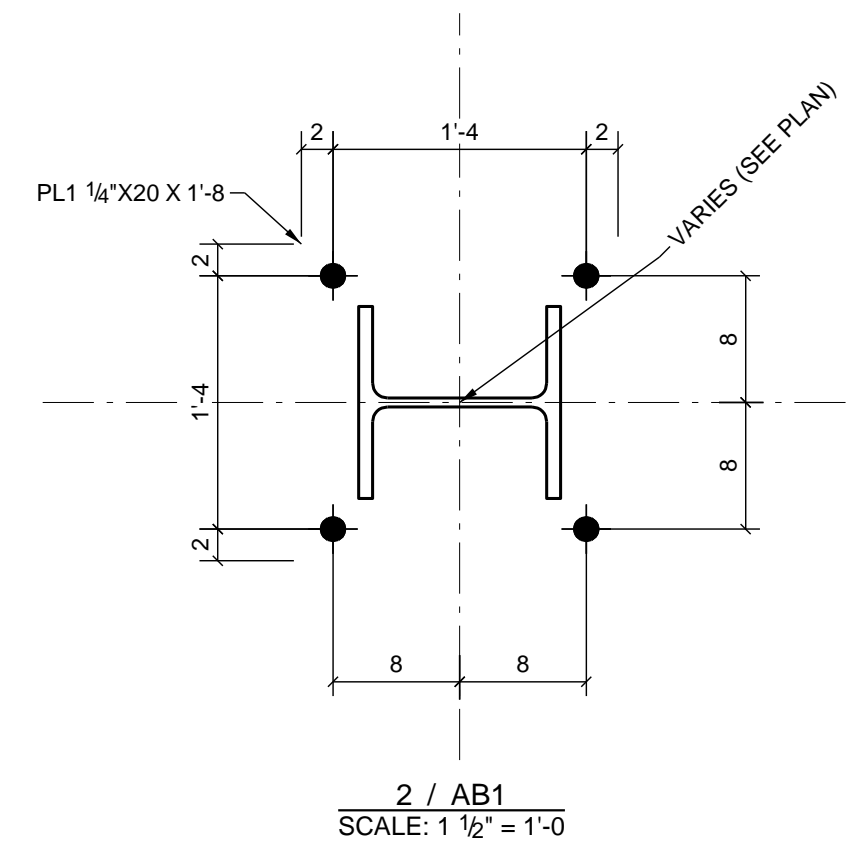
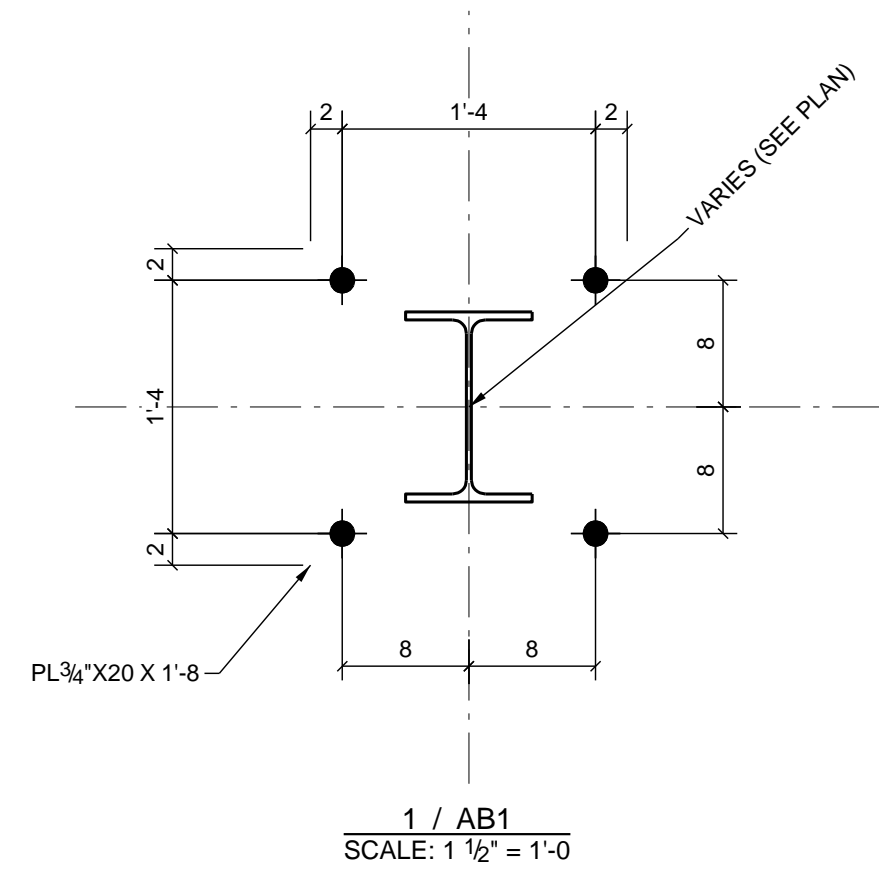


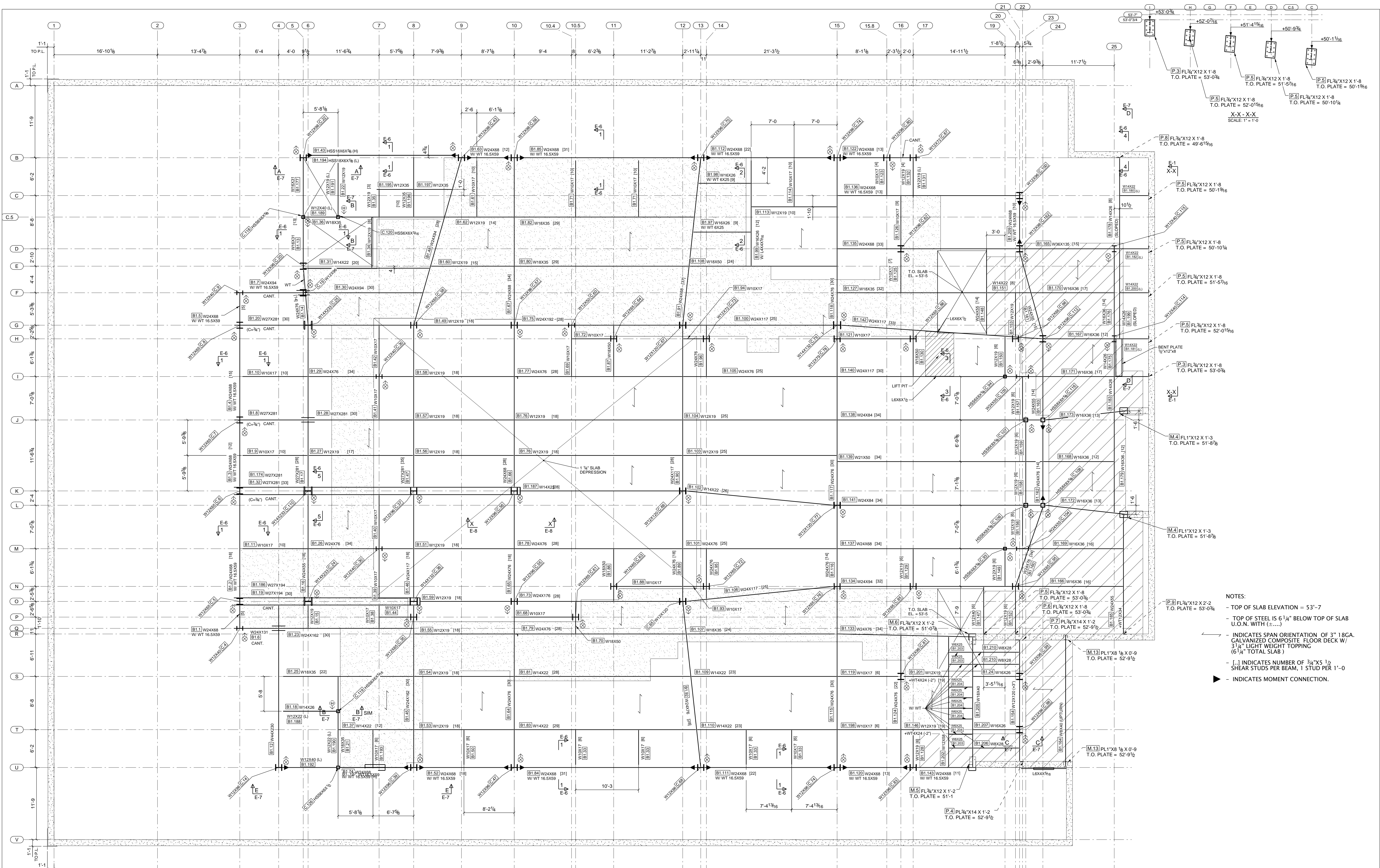
ISOMETRIC VIEW



ANCHOR BOLT PLAN



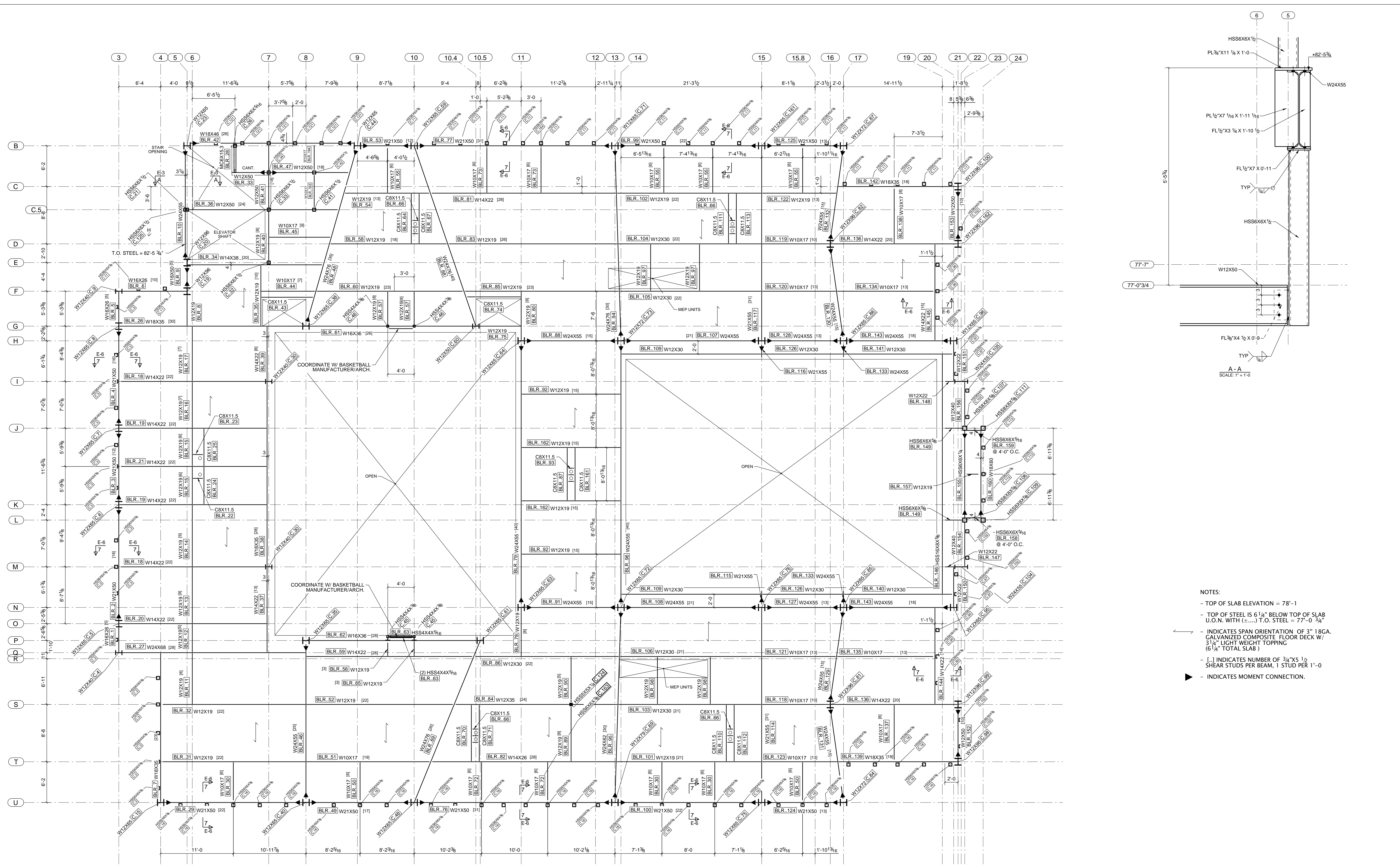




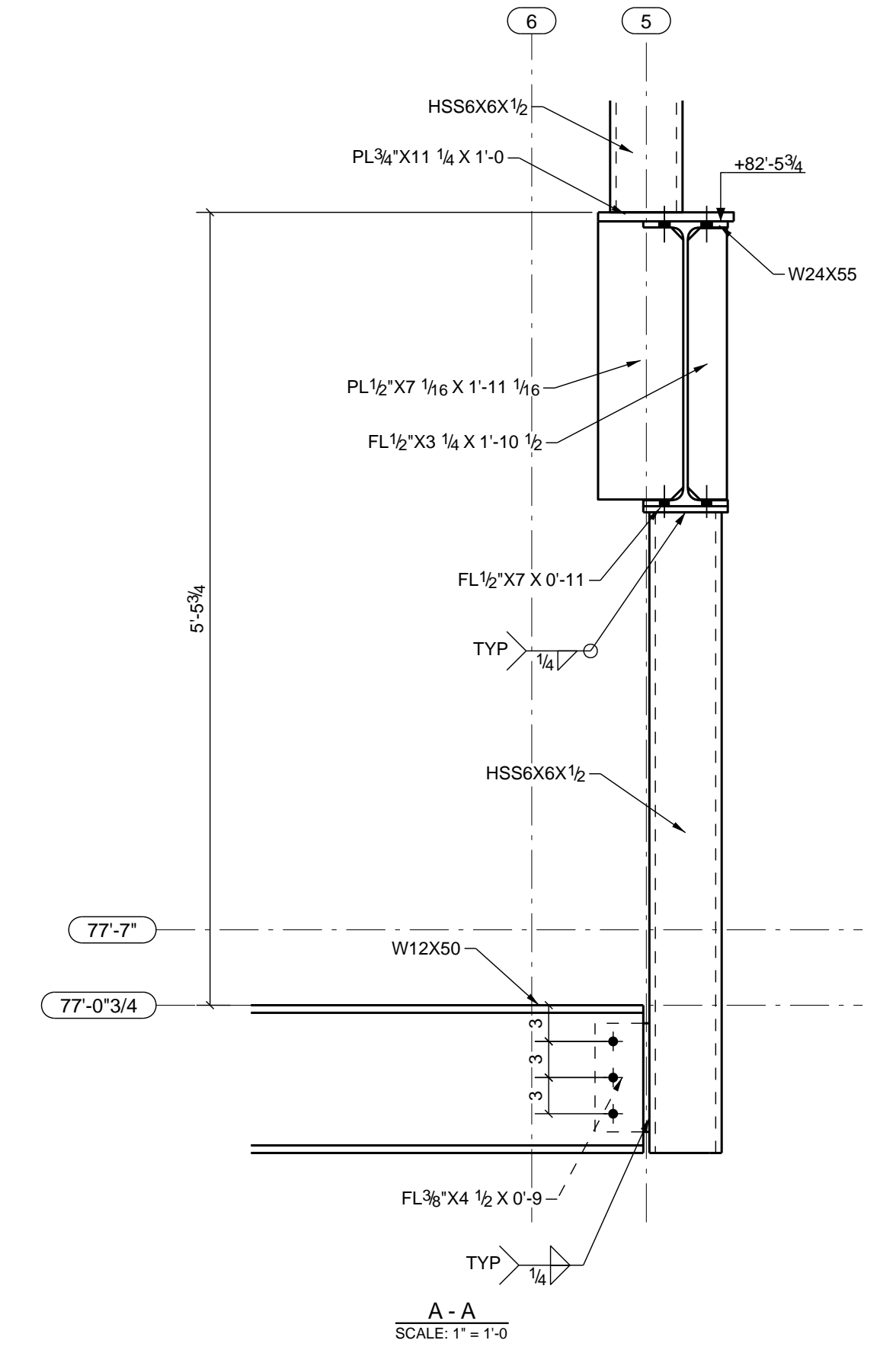
- NOTES:
- TOP OF SLAB ELEVATION = 53'-7"
 - TOP OF STEEL IS 6 1/4" BELOW TOP OF SLAB U.O.N. WITH (±...)
 - INDICATES SPAN ORIENTATION OF 3" 18GA. GALVANIZED COMPOSITE FLOOR DECK W/ 3/4" LIGHT WEIGHT TOPPING (6 1/4" TOTAL SLAB)
 - [...] INDICATES NUMBER OF 3/4"x5 1/2" SHEAR STUDS PER BEAM, 1 STUD PER 1'-0"
 - ▶ INDICATES MOMENT CONNECTION.

FIRST FLOOR FRAMING PLAN

Telle structures

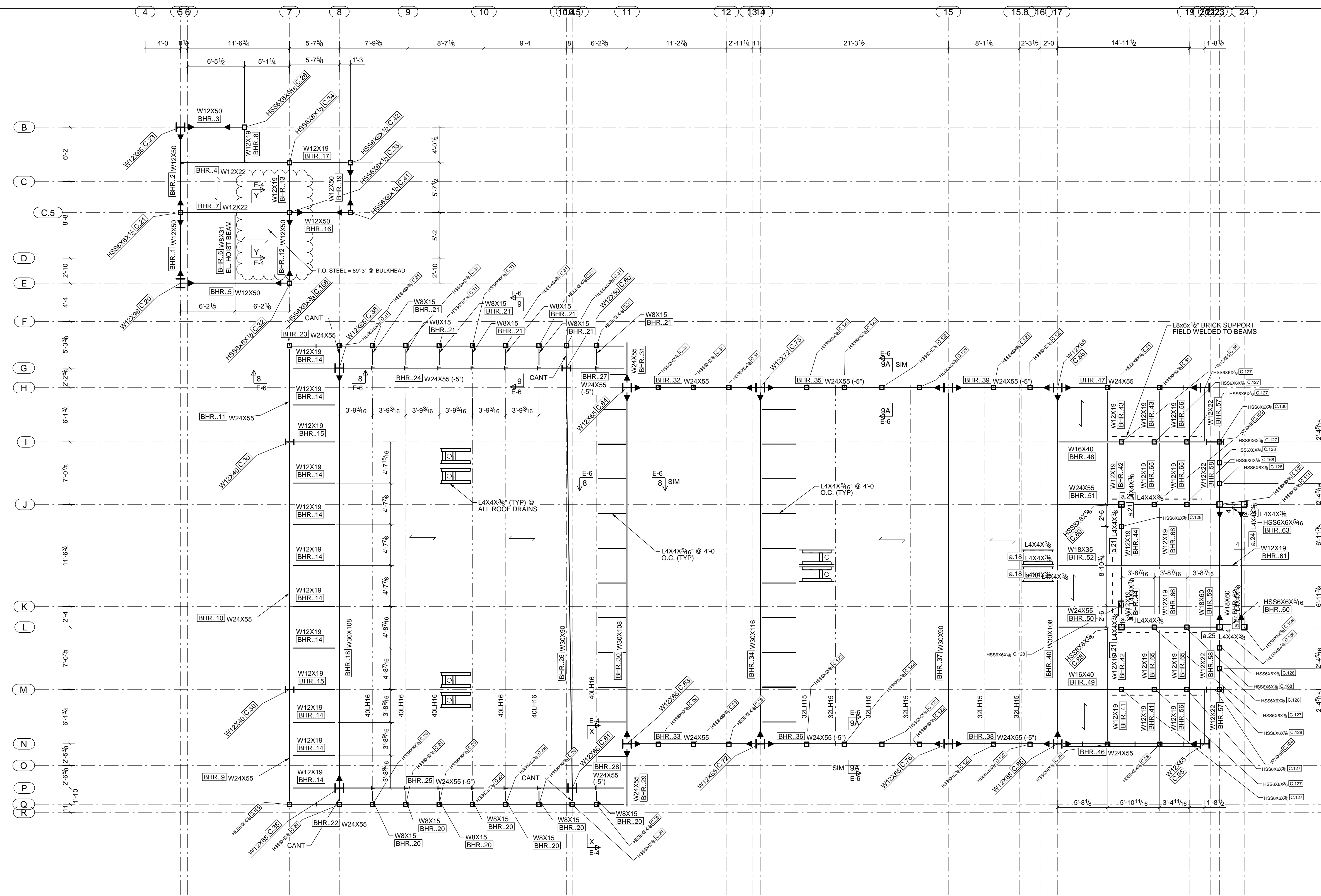


LOW ROOF FRAMING PLAN

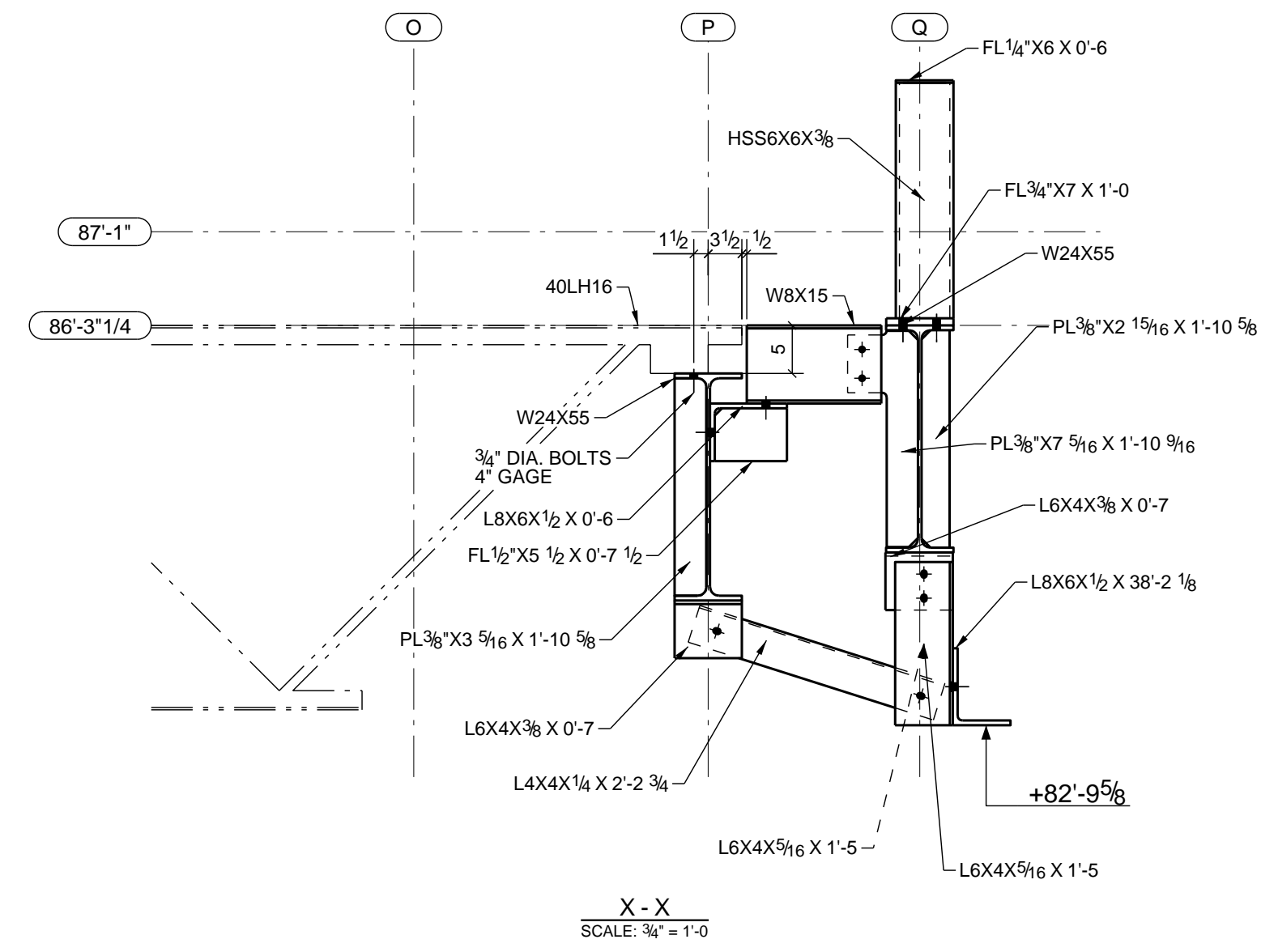


- NOTES:
- TOP OF SLAB ELEVATION = 78'-1"
 - TOP OF STEEL IS 6 1/4" BELOW TOP OF SLAB U.O.N. WITH (.....) T.O. STEEL = 77'-0 3/4"
 - INDICATES SPAN ORIENTATION OF 3" 18GA. GALVANIZED COMPOSITE FLOOR DECK W/ 3/4" LIGHT WEIGHT TOPPING (6 1/4" TOTAL SLAB)
 - [...] INDICATES NUMBER OF 3/4"X5 1/2" SHEAR STUDS PER BEAM, 1 STUD PER 1'-0"
 - INDICATES MOMENT CONNECTION.

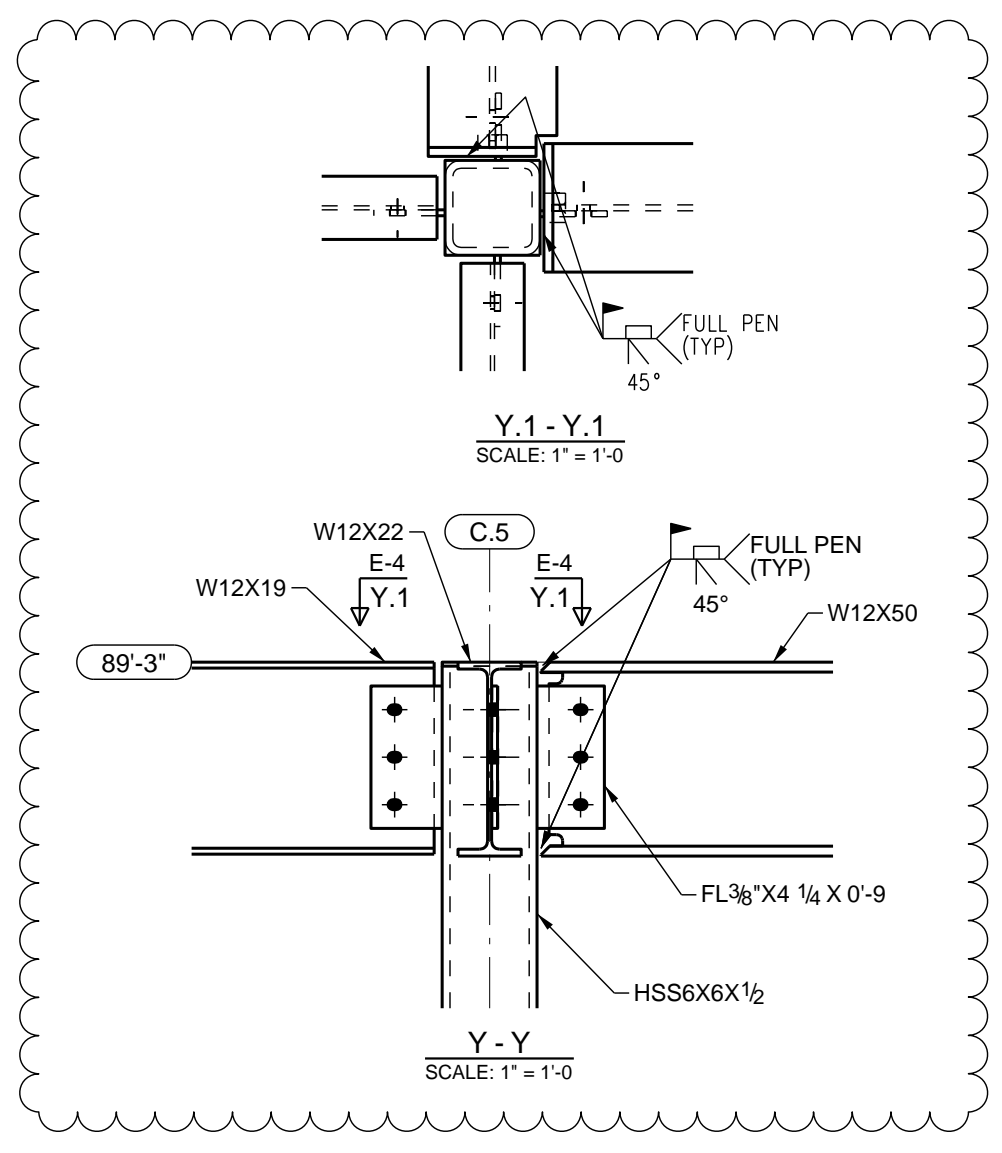
Tells structures



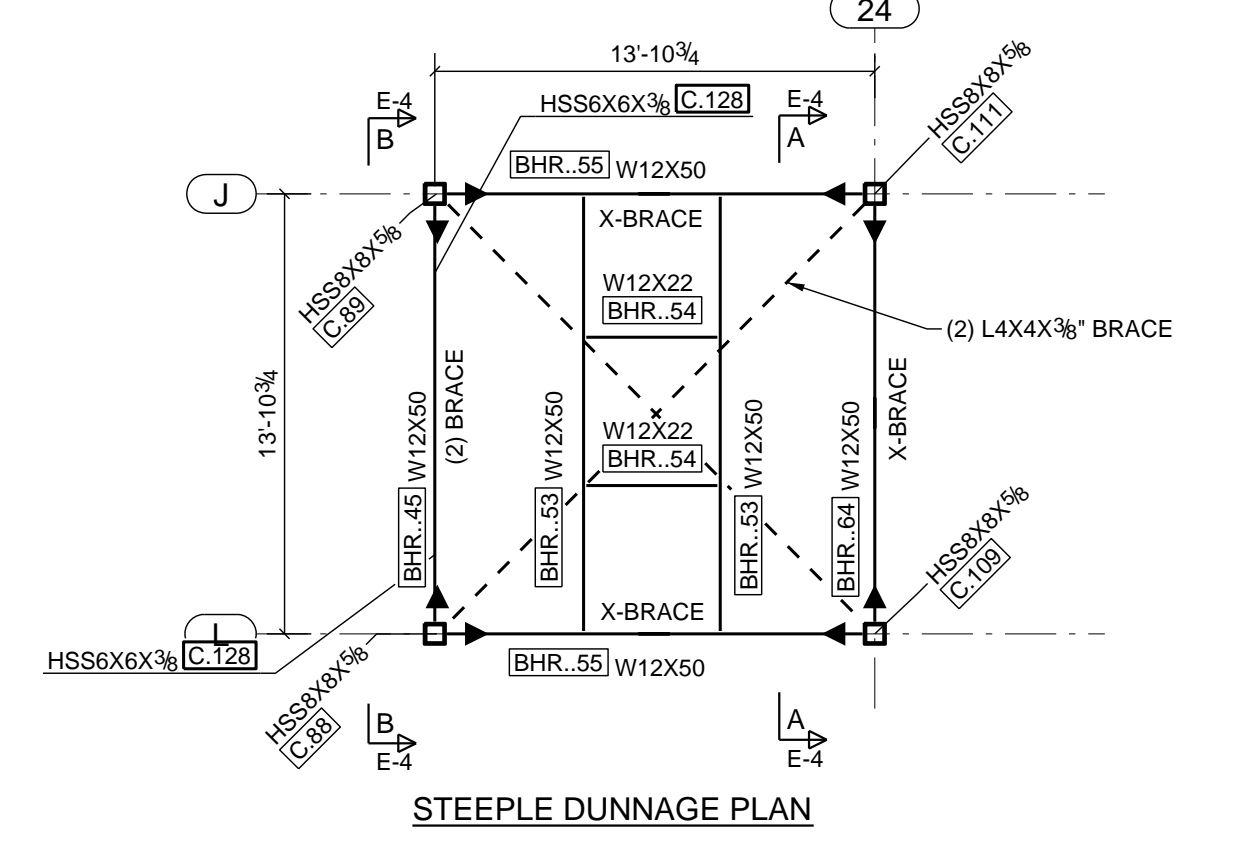
ROOF FRAMING PLAN



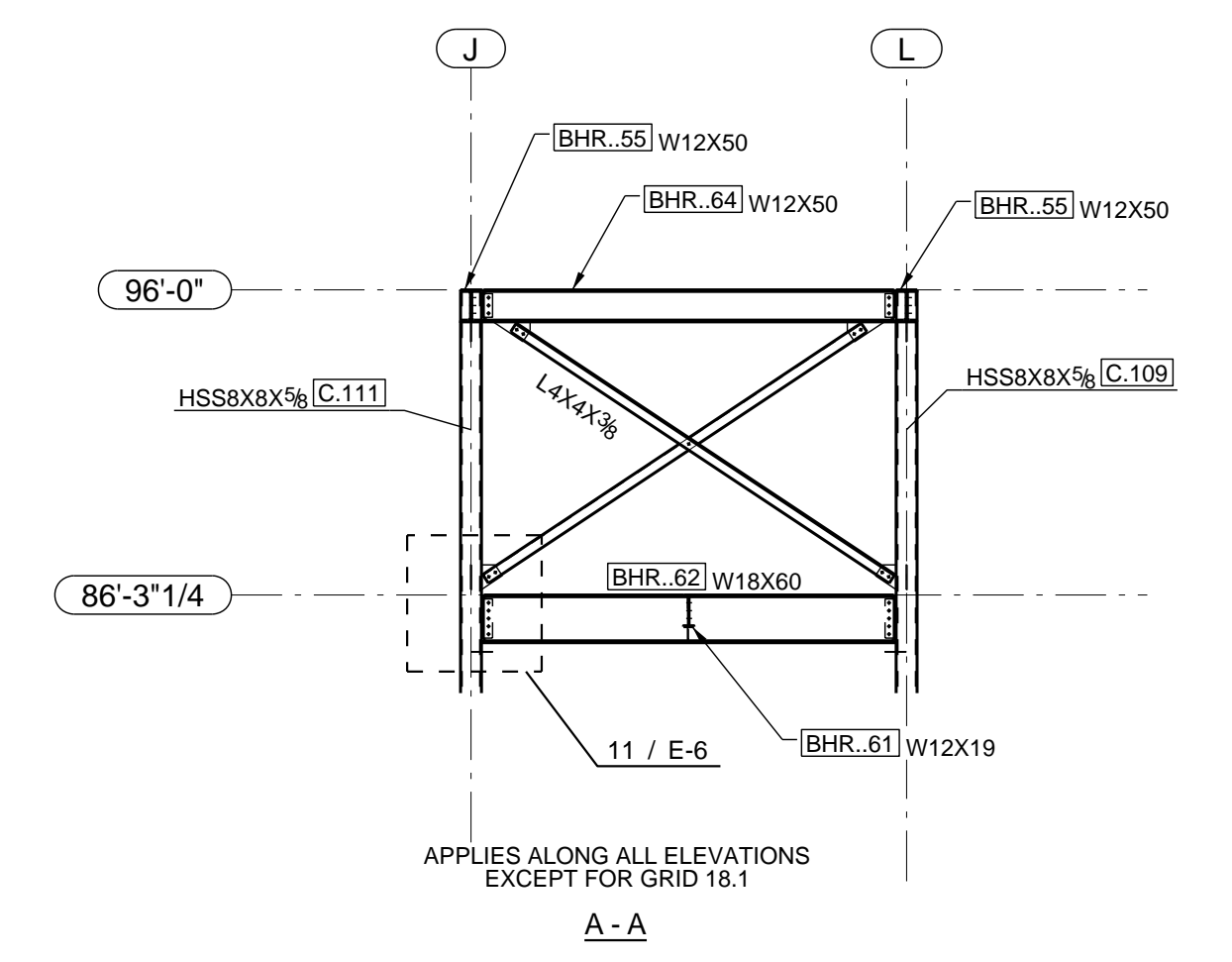
X - X
SCALE: 3/4" = 1'-0"



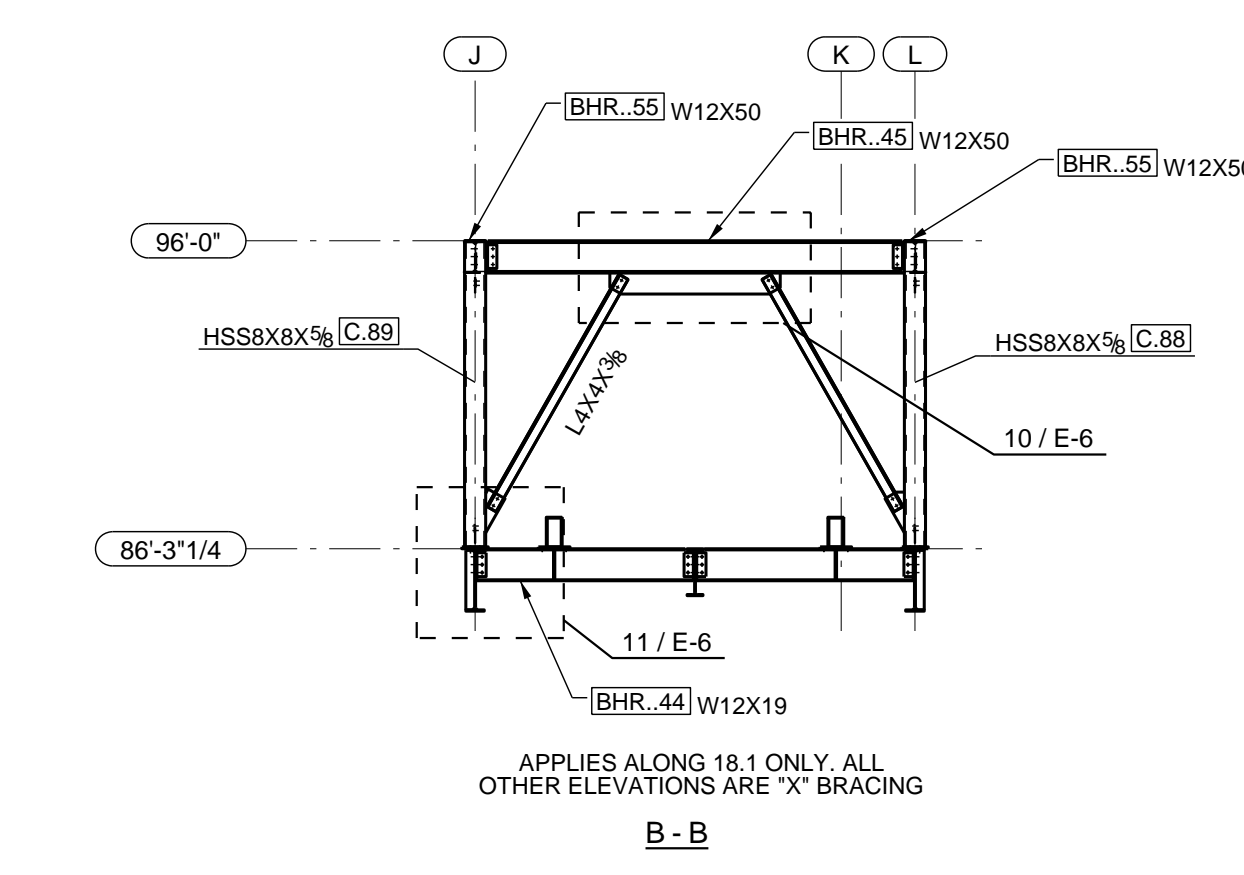
Y - Y
SCALE: 1" = 1'-0"



STEEPLE DUNNAGE PLAN

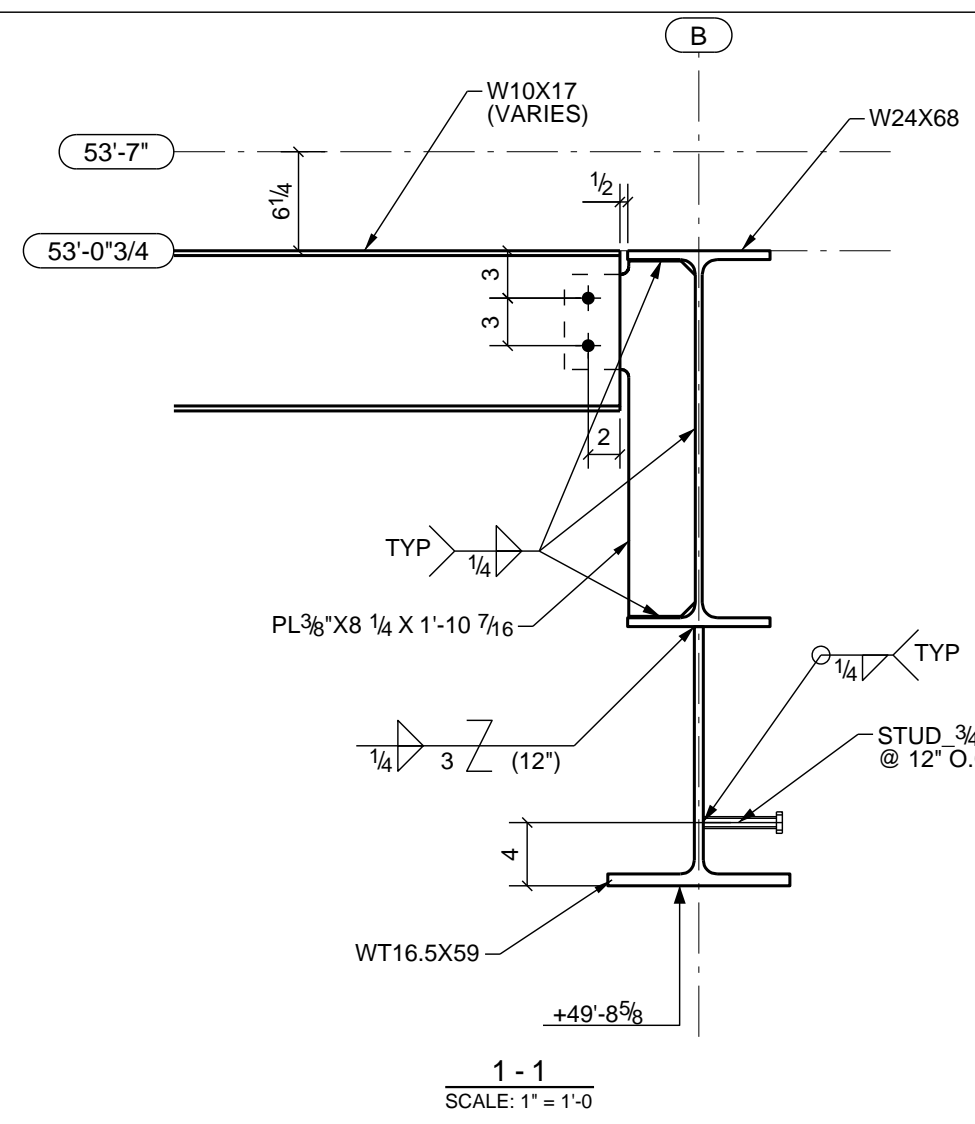


A - A

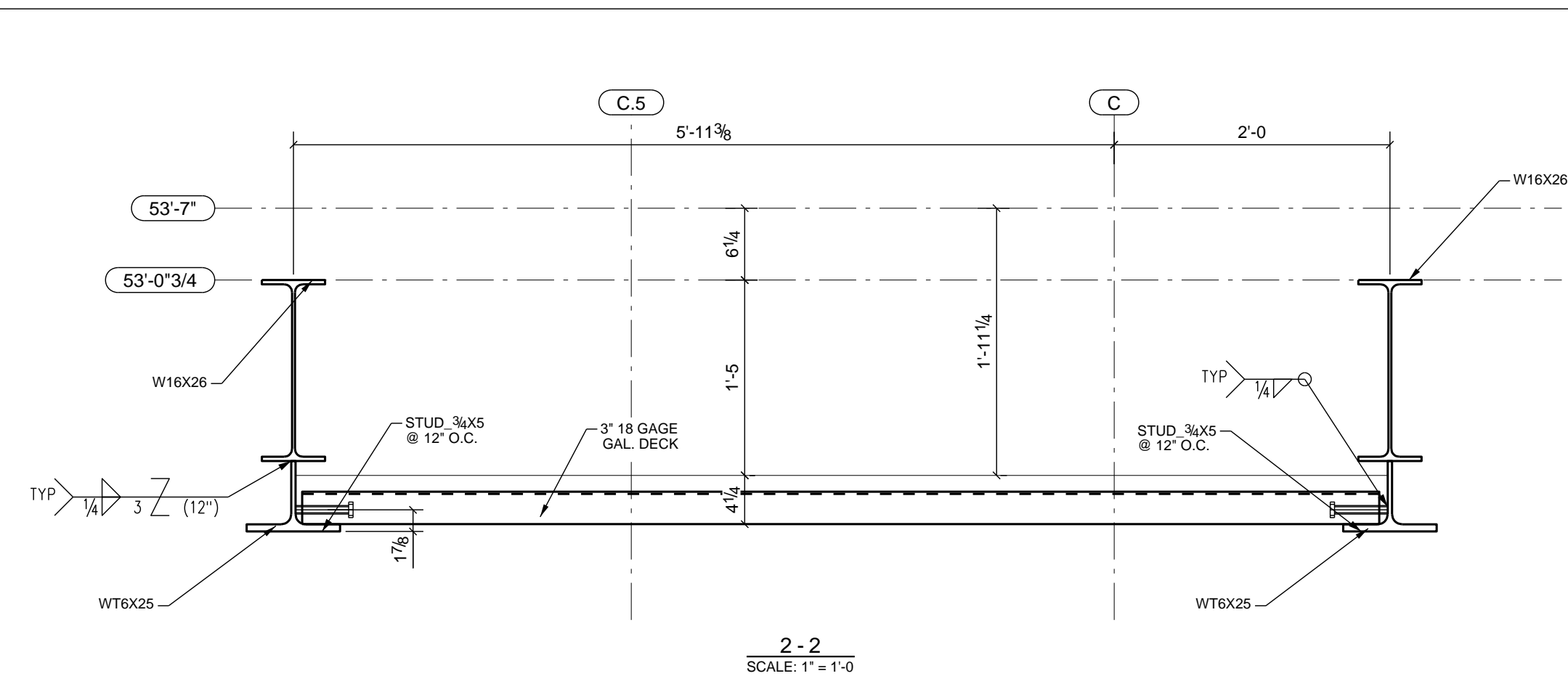


B - B

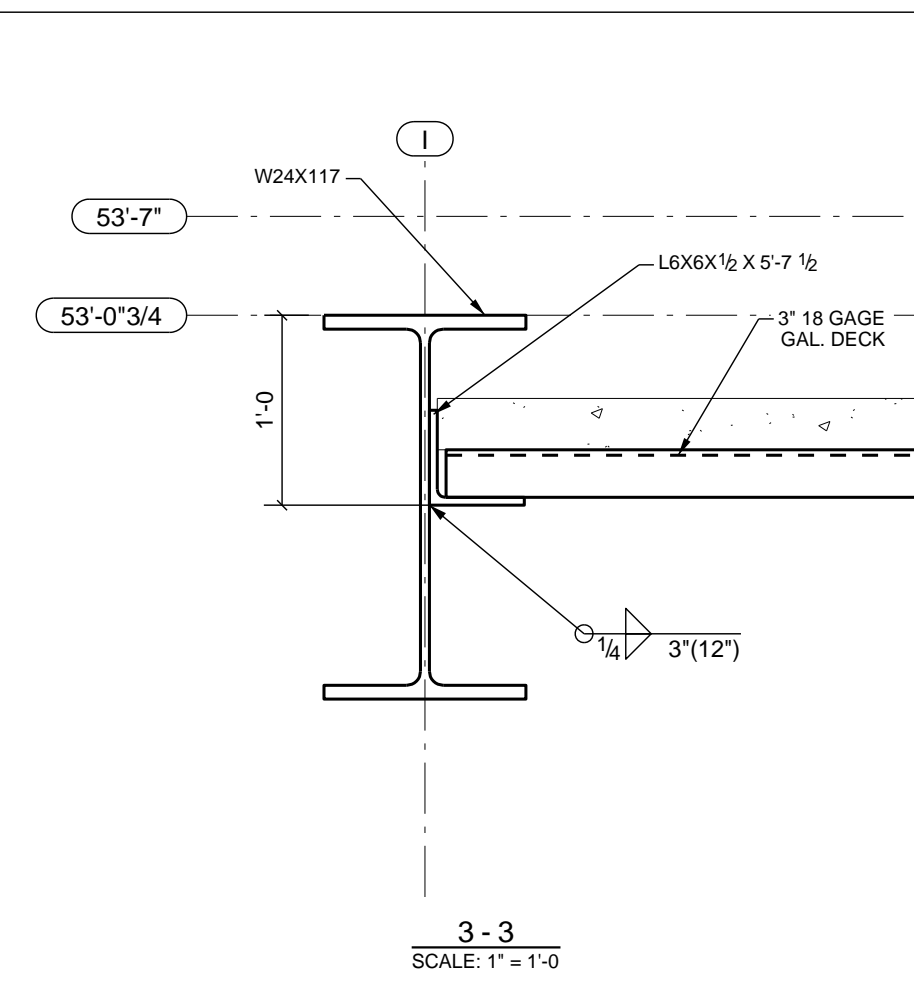
- NOTES:
- TOP OF STEEL = 86'-3 1/4" U.O.N.
 - TOP OF STEEL IS 3" BELOW TOP DECK
 - INDICATES SPAN ORIENTATION OF 3" 18GA. TYPE "B" GALVANIZED ROOF DECK
 - INDICATES MOMENT CONNECTION.



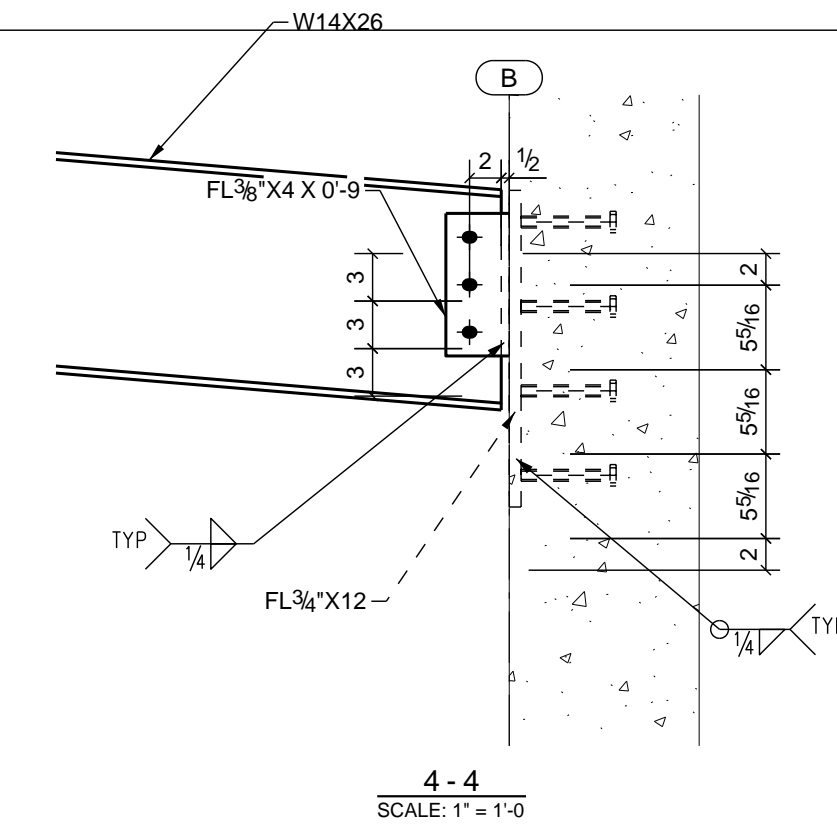
1-1
SCALE: 1" = 1'-0"



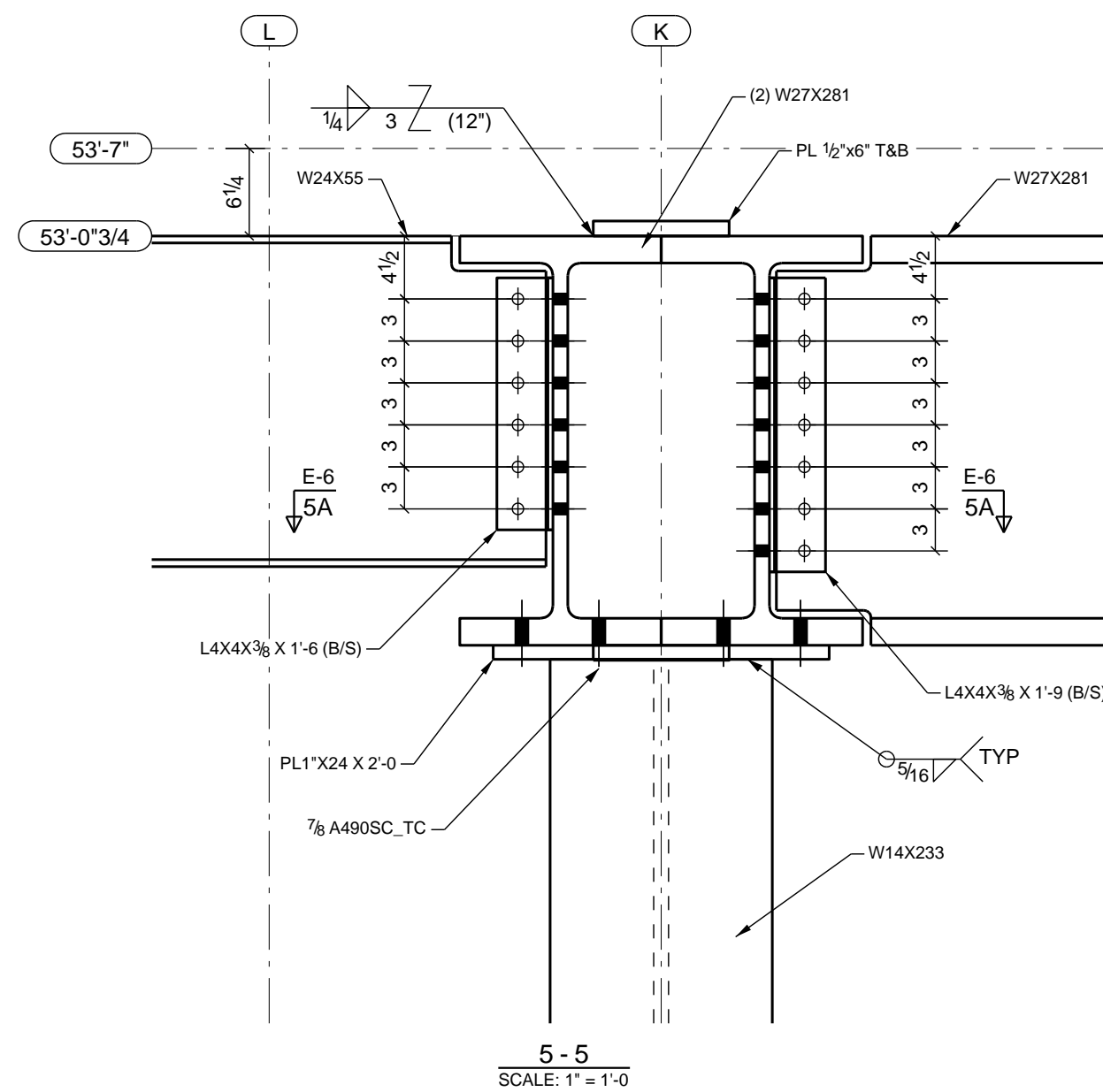
2-2
SCALE: 1" = 1'-0"



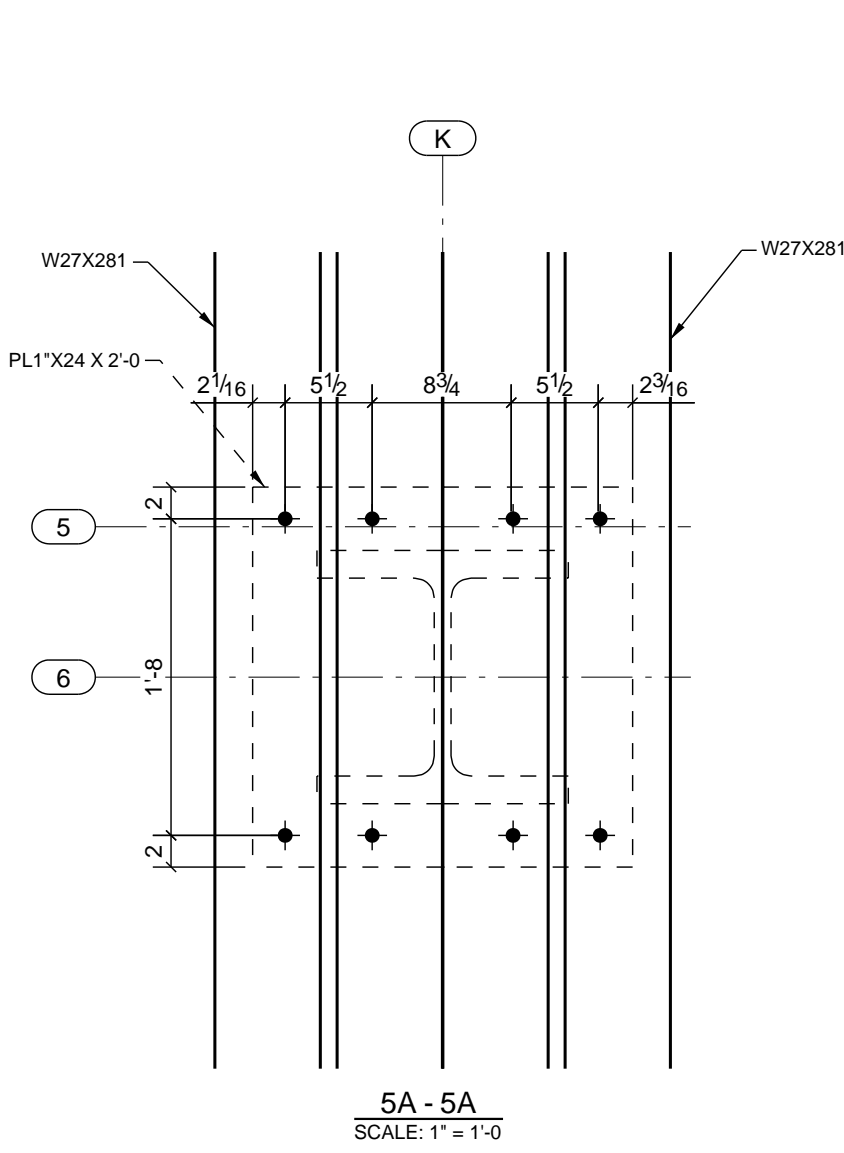
3-3
SCALE: 1" = 1'-0"



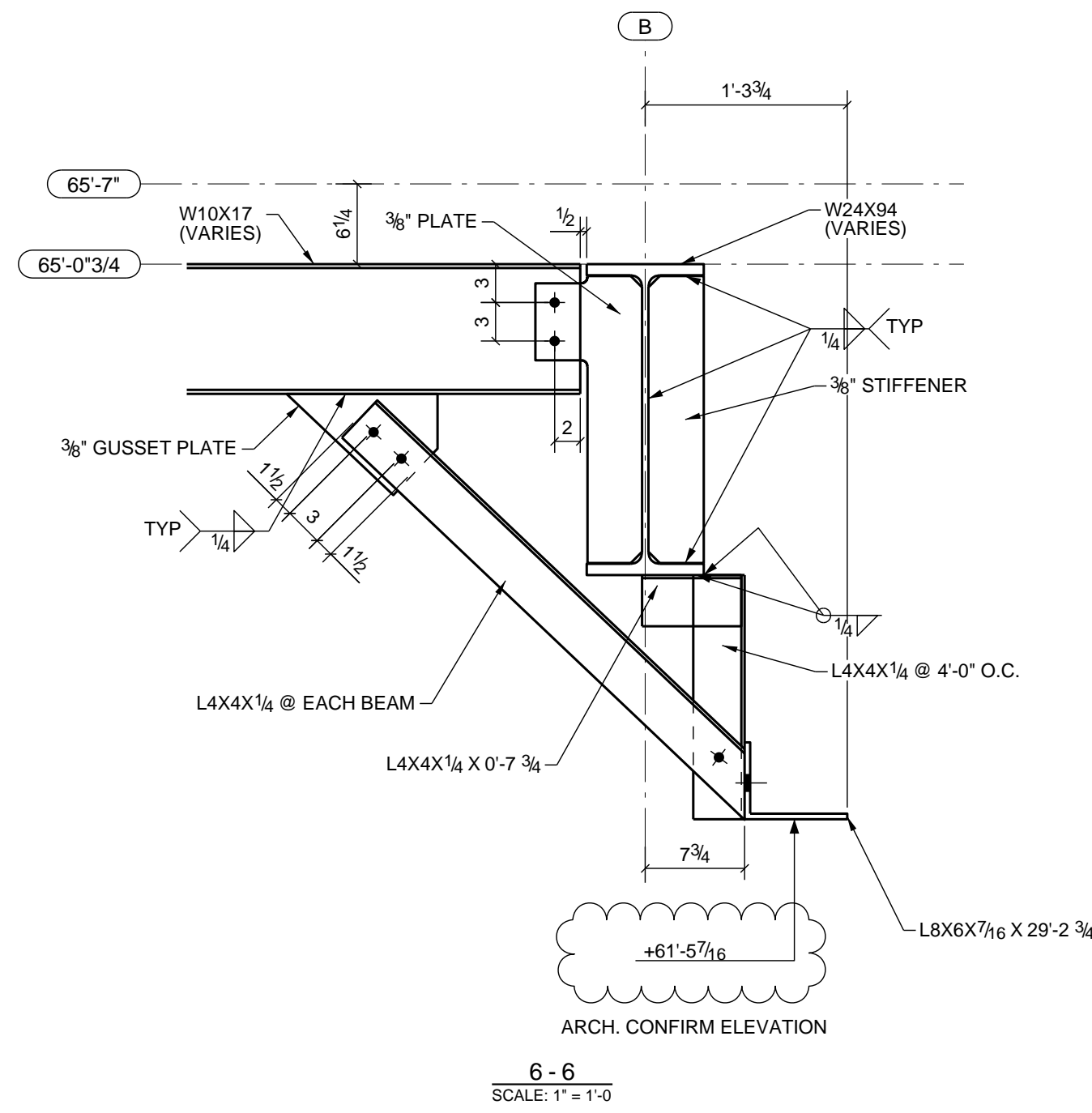
4-4
SCALE: 1" = 1'-0"



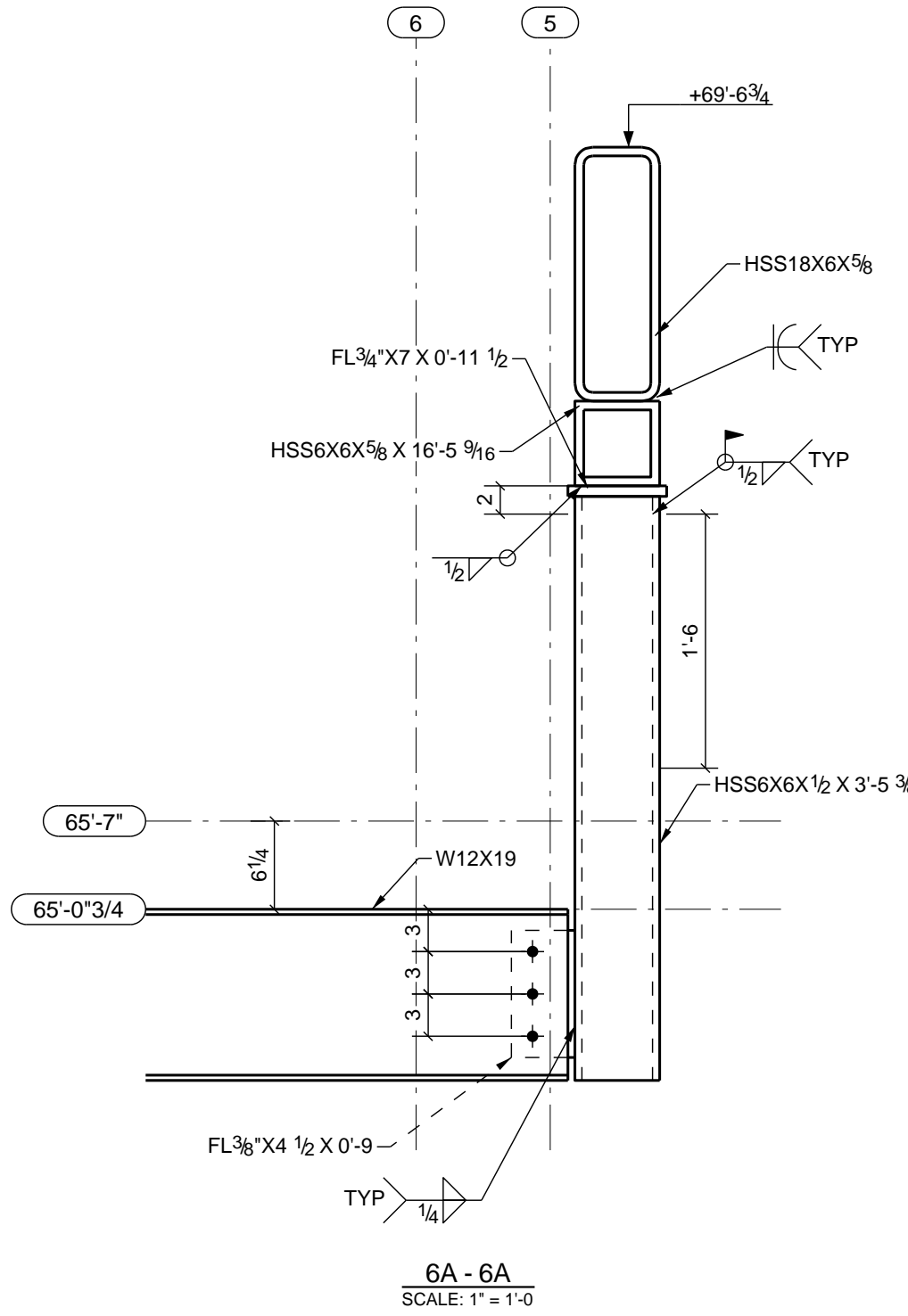
5-5
SCALE: 1" = 1'-0"



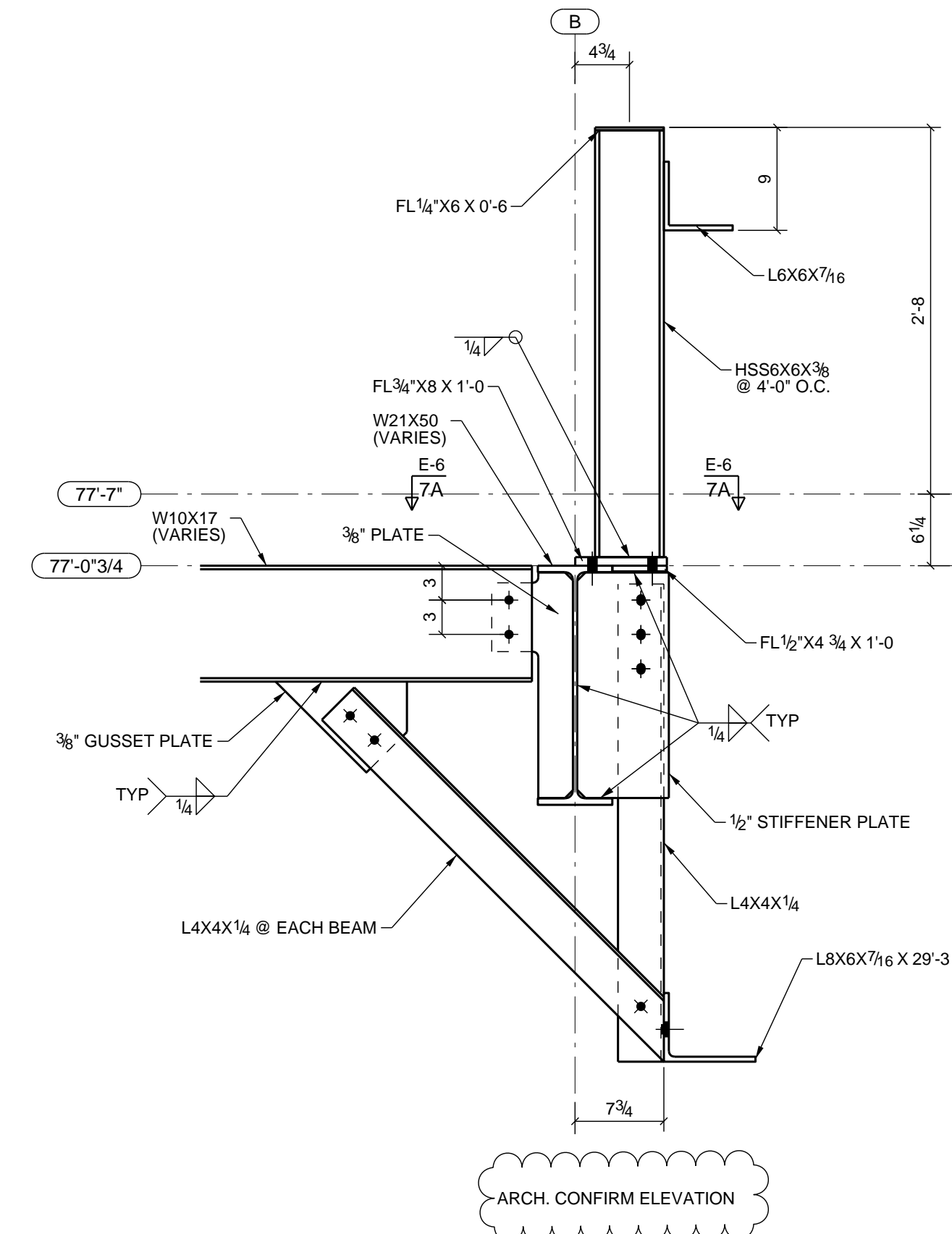
5A-5A
SCALE: 1" = 1'-0"



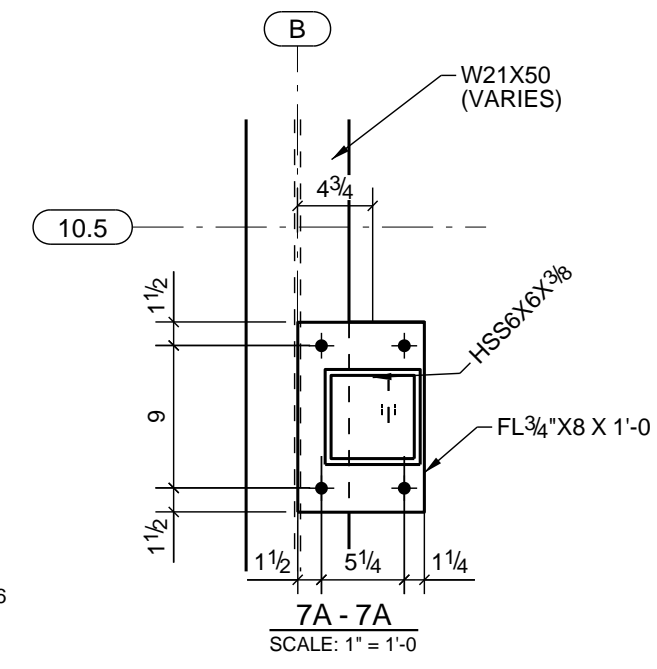
6-6
SCALE: 1" = 1'-0"



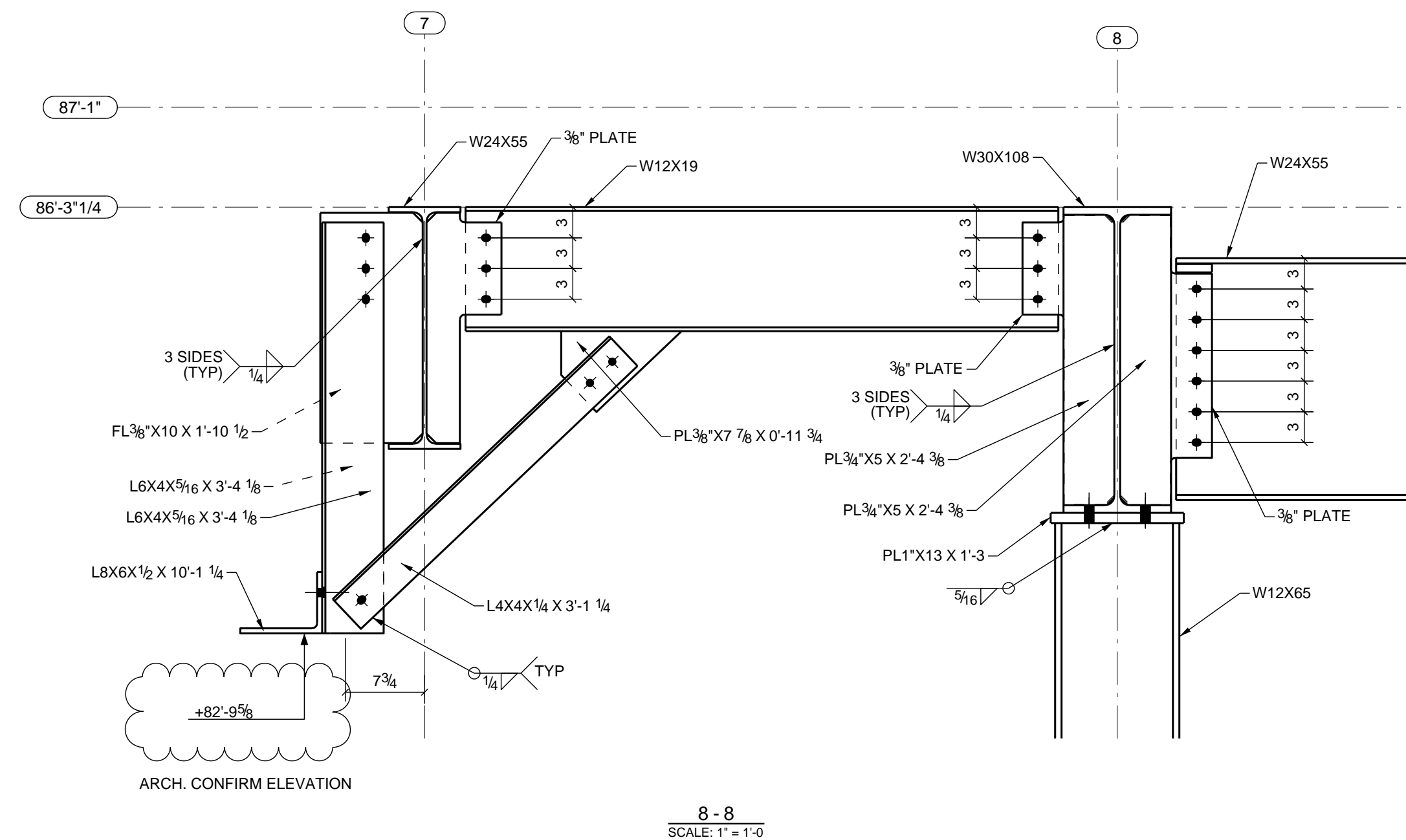
6A-6A
SCALE: 1" = 1'-0"



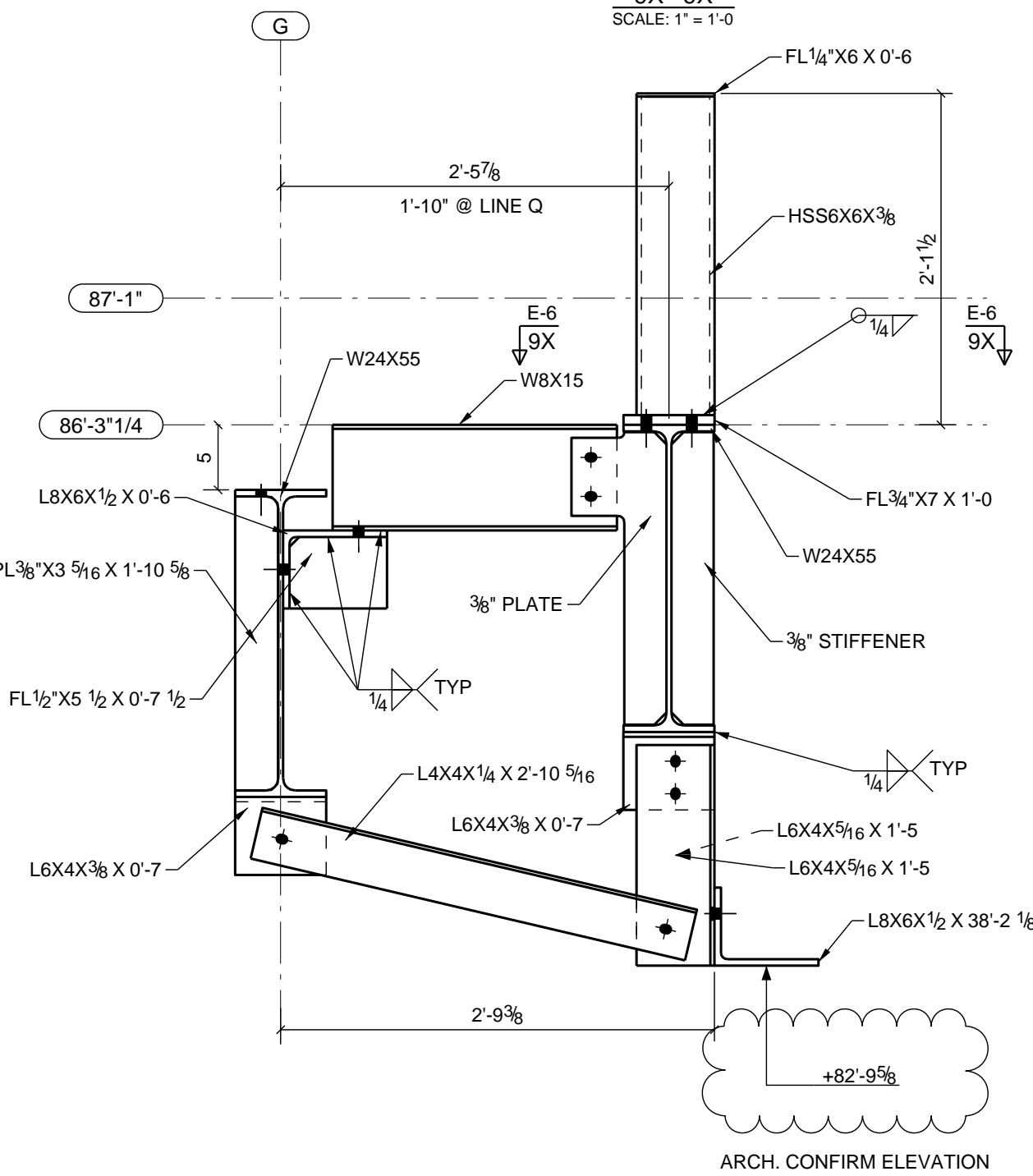
7-7
SCALE: 1" = 1'-0"



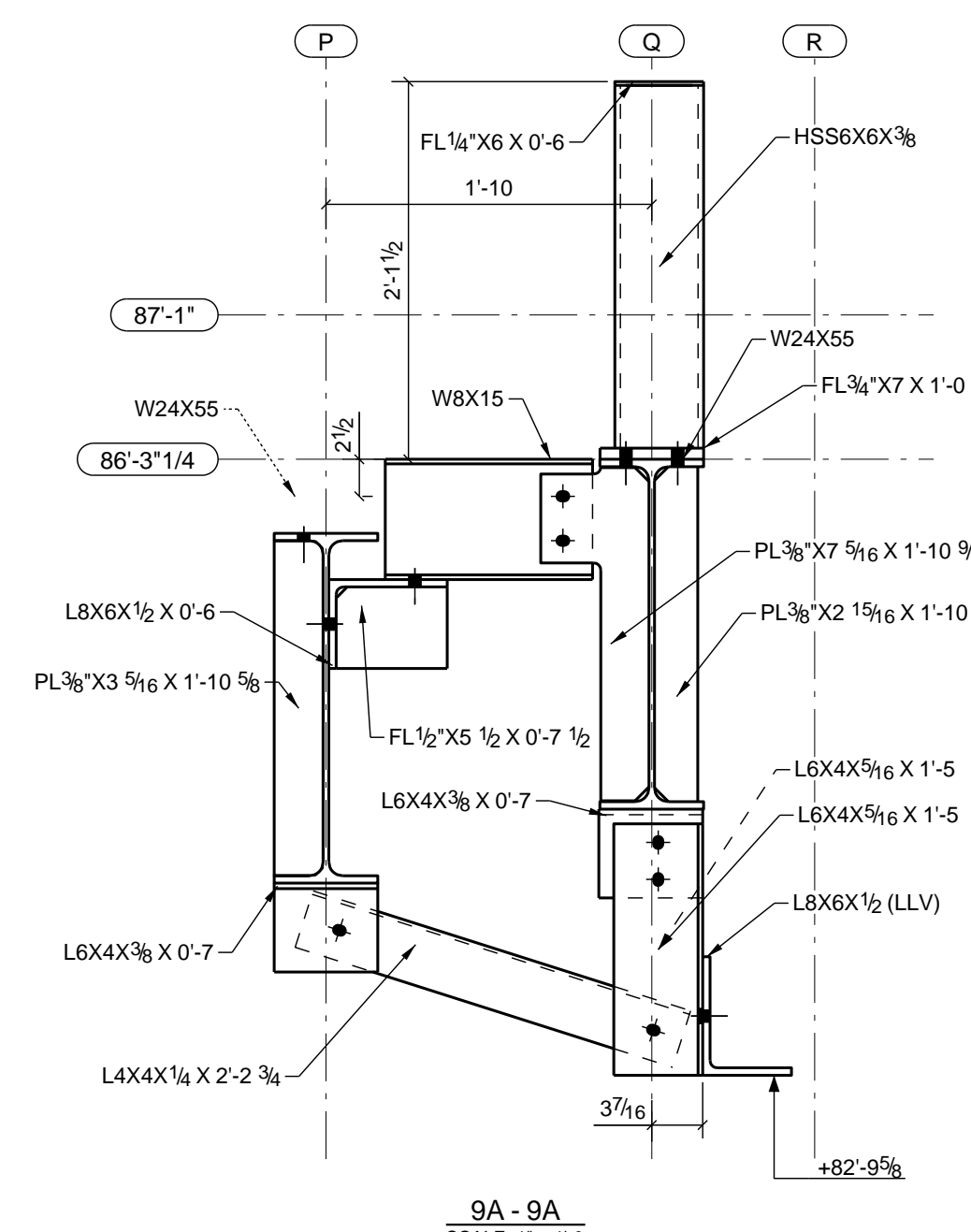
7A-7A
SCALE: 1" = 1'-0"



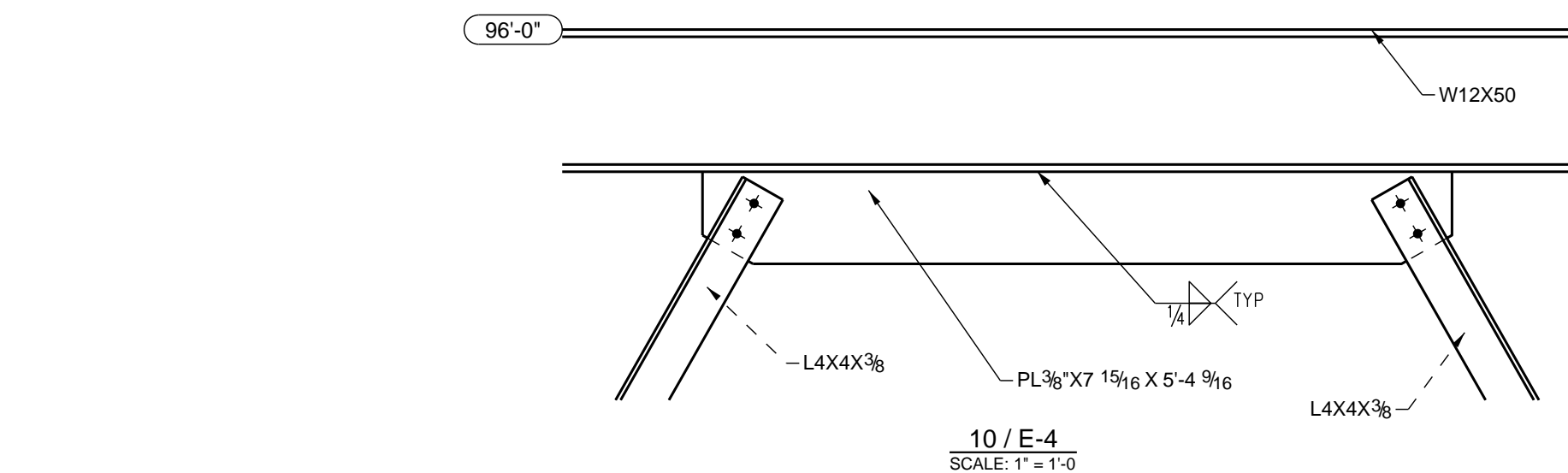
8-8
SCALE: 1" = 1'-0"



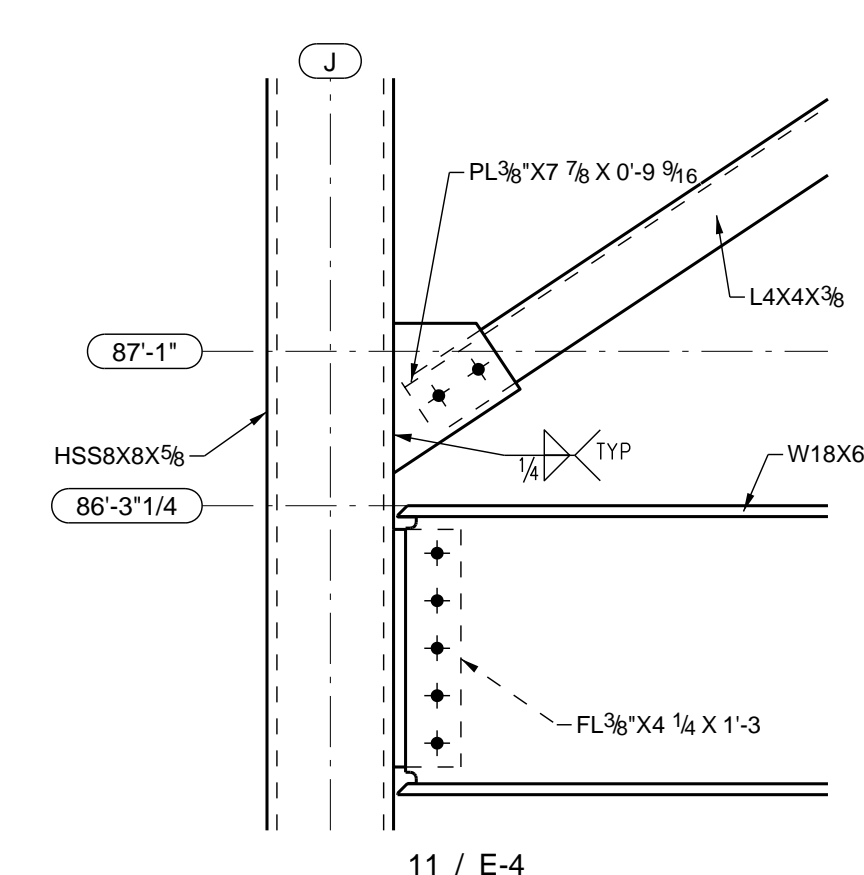
9-9
SCALE: 1" = 1'-0"



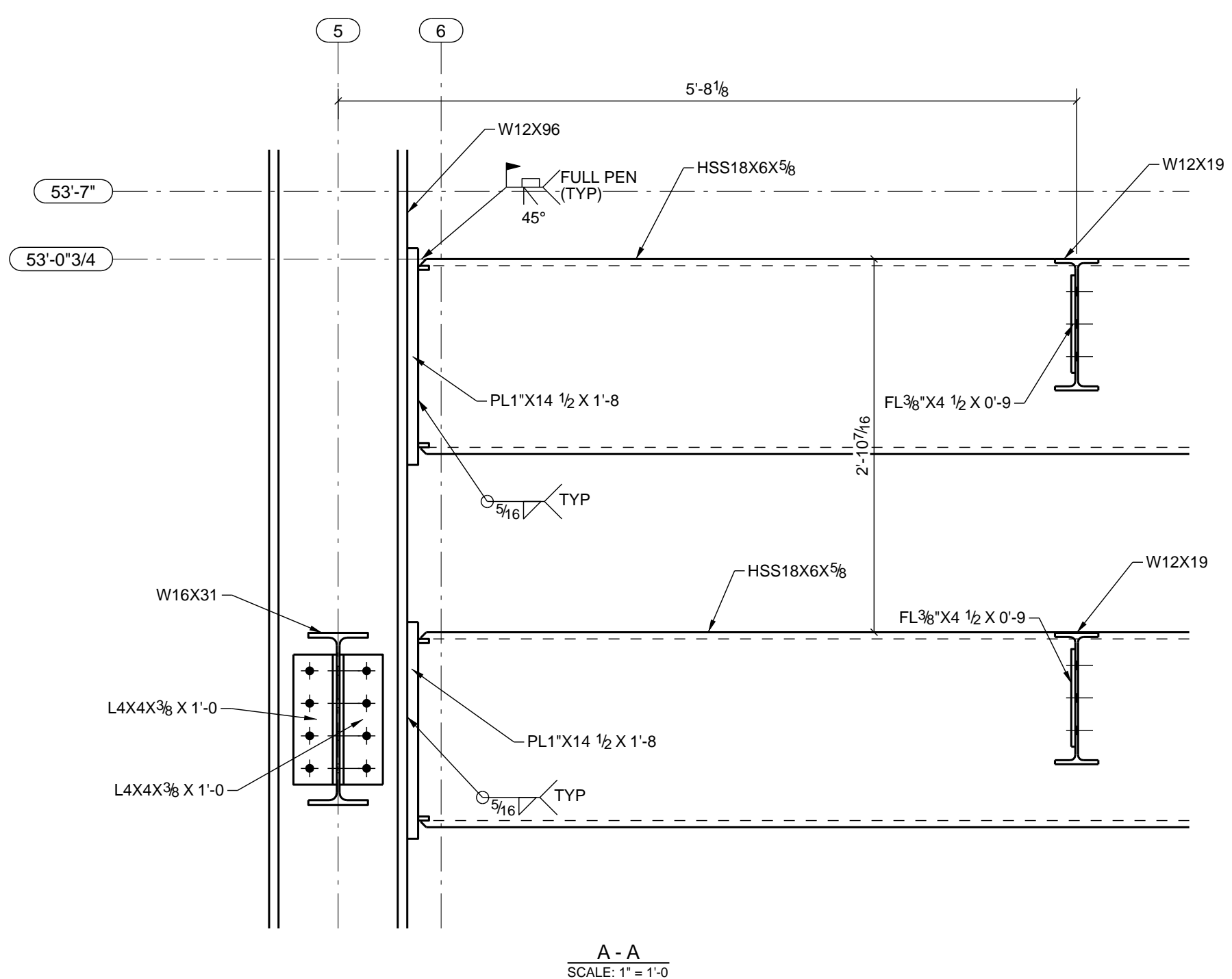
9A-9A
SCALE: 1" = 1'-0"



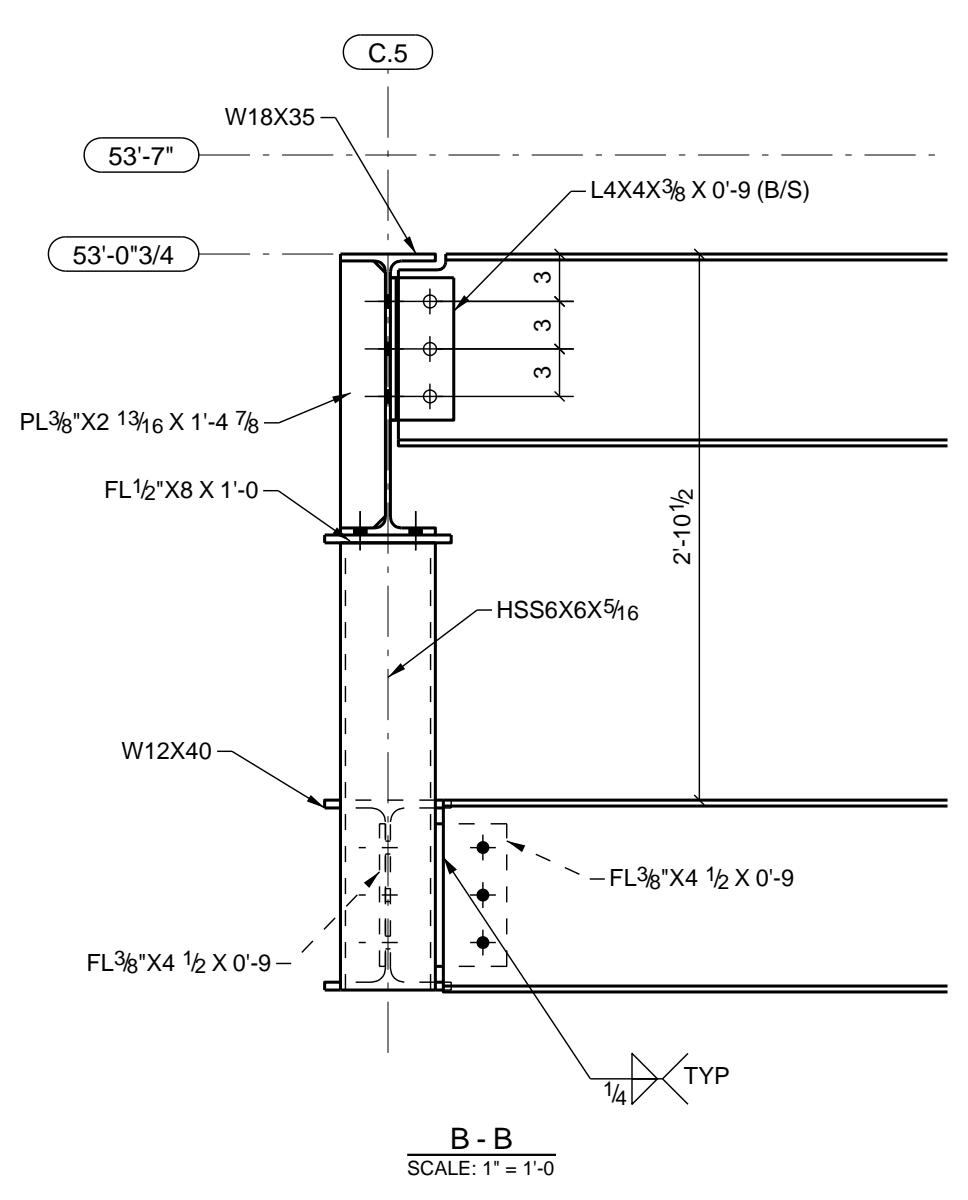
10/E-4
SCALE: 1" = 1'-0"



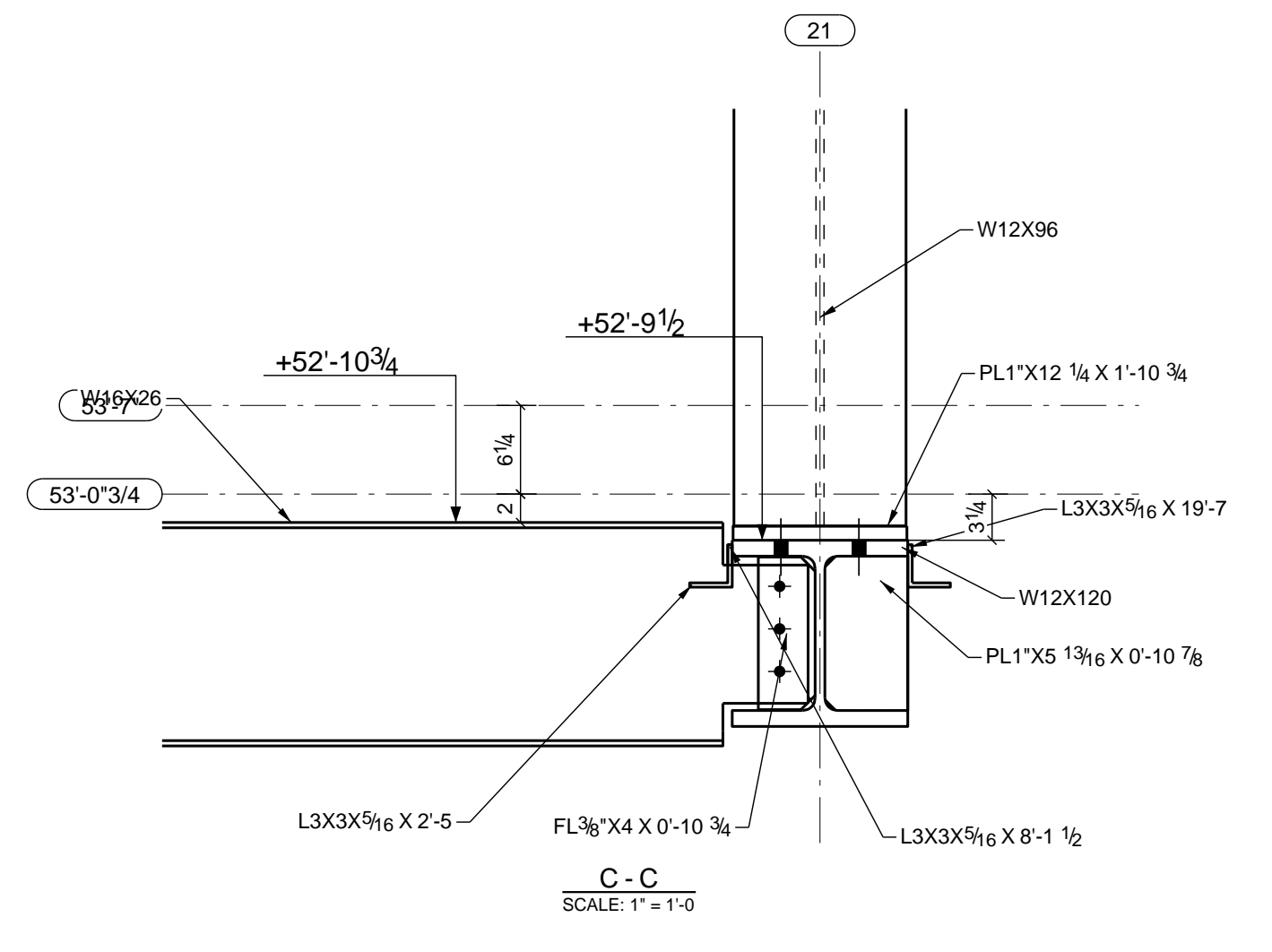
11/E-4
SCALE: 1" = 1'-0"



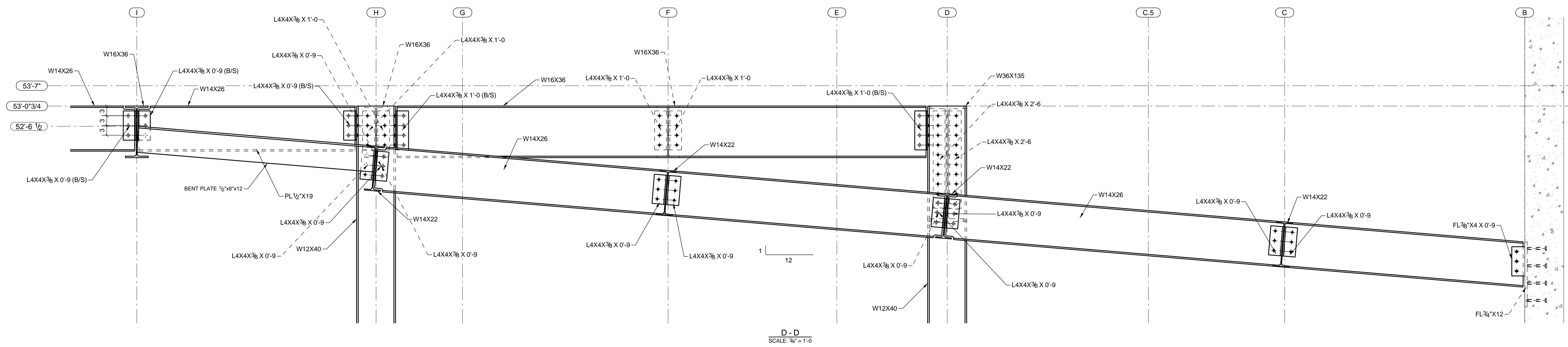
A - A
SCALE: 1" = 1'-0"



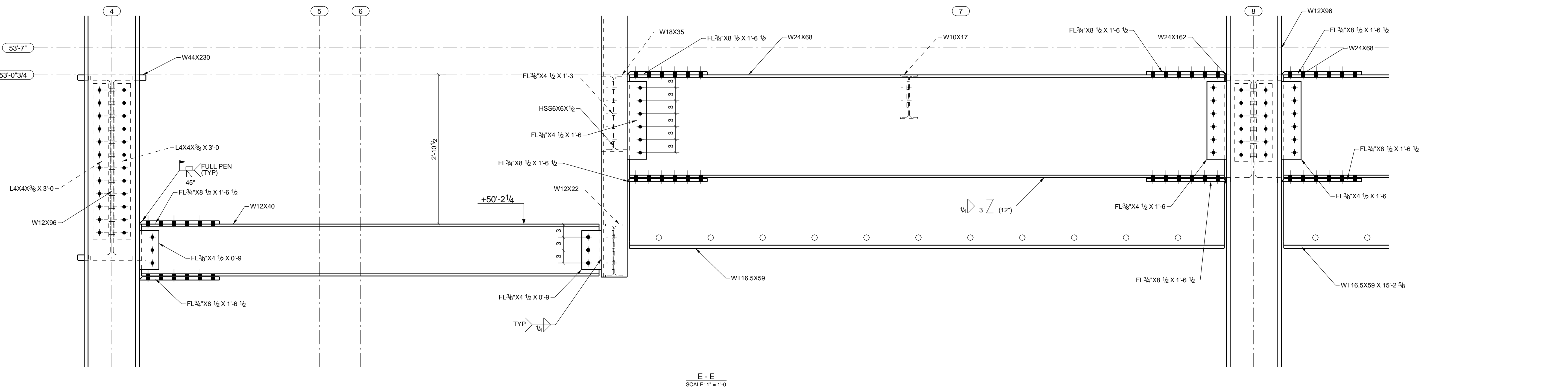
B - B
SCALE: 1" = 1'-0"



C - C
SCALE: 1" = 1'-0"



D - D
SCALE: 3/4" = 1'-0"



E - E
SCALE: 1" = 1'-0"

