

Smart String Inverter

SUN2000-33/36/40KTL-US



Smart

- 8 strings intelligent monitoring and fast trouble-shooting
- Power Line Communication (PLC) supported
- Smart I-V Curve Diagnosis supported

Efficient

- Max. efficiency 98.9%
- CEC. efficiency 98.5%
- 4 MPPT per unit, effectively reducing string mismatch

Safe

- DC AFCI compliant to UL 1699B Type I
- Residual Current Monitoring Unit (RCMU) integrated inside
- Fuse free design

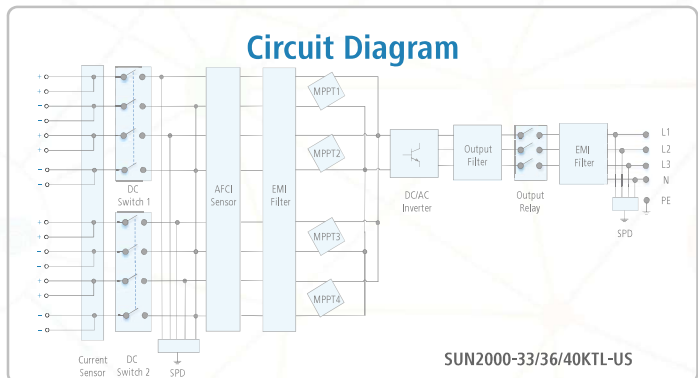
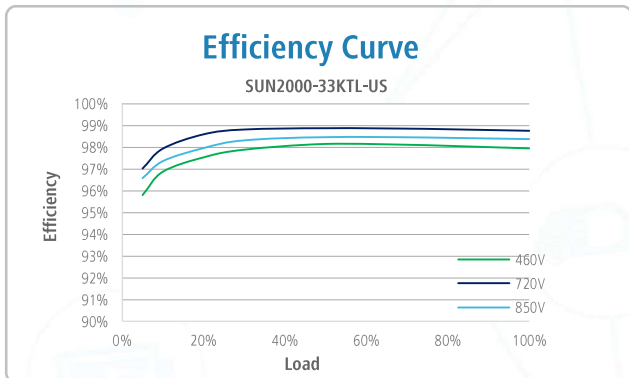
Reliable

- Natural cooling technology
- Protection degree of Type 4X
- Type II surge arresters for both DC and AC

Smart String Inverter (SUN2000-33/36/40KTL-US)



Technical Specifications	SUN2000-33KTL-US	SUN2000-36KTL-US	SUN2000-40KTL-US
Efficiency			
Max. Efficiency	98.9%	98.9%	98.9%
CEC. Efficiency	98.5%	98.5%	98.5%
Input			
Max. Input Voltage	1,000 V	1,000 V	1,000 V
Max. Current per MPPT	22 A	22 A	22 A
Max. Short Circuit Current per MPPT	30 A	30 A	30 A
Start Voltage	250 V	250 V	250 V
MPPT Operating Voltage Range	200 V ~ 1,000 V	200 V ~ 1,000 V	200 V ~ 1,000 V
Number of Inputs	8	8	8
Number of MPP Trackers	4	4	4
Output			
Rated AC Active Power	33,300 W	36,000 W	40,000 W
Max. AC Apparent Power	36,600 VA	40,000 VA	44,000 VA
Max. AC Active Power (cosφ=1)	36,600 W	40,000 W	44,000 W
Rated Output Voltage	480 V, 3W + PE / 3W + N + PE	480 V, 3W + PE / 3W + N + PE	480 V, 3W + PE / 3W + N + PE
Rated AC Grid Frequency	60 Hz	60 Hz	60 Hz
Rated Output Current	40.1 A	43.4 A	48.2 A
Max. Output Current	44.1 A	48.2 A	53 A
Adjustable Power Factor Range	0.8 LG ... 0.8 LD	0.8 LG ... 0.8 LD	0.8 LG ... 0.8 LD
Max. Total Harmonic Distortion	< 3%	< 3%	< 3%
Protection			
DC Arc Fault Circuit Interrupter	Yes, compliant to UL 1699B Type I		
Input-side Disconnection Device	Yes		
Anti-islanding Protection	Yes		
DC Reverse-polarity Protection	Yes		
AC Overcurrent Protection	Yes		
PV-array String Fault Monitoring	Yes		
DC Surge Arrester	Type II		
AC Surge Arrester	Type II		
DC Insulation Resistance Detection	Yes		
Residual Current Monitoring Unit	Yes		
Communication			
Display	LED Indicators, Bluetooth + APP		
USB	Yes		
RS485	Yes		
Power Line Communication (PLC)	Yes		
General			
Dimensions (W x H x D)	930 x 550 x 283 mm (36.6 x 21.7 x 11.1 inch)		
Weight (with mounting plate)	62 kg (137 lb.)		
Operating Temperature Range	-25°C ~ 60°C (-13°F ~ 140°F)		
Cooling Method	Natural Convection		
Relative Humidity	0 ~ 100%		
DC Connector	Amphenol Helios H4 or MC4		
AC Connector	Waterproof Cable Connector + OT Terminal		
Protection Degree	Type 4X		
Topology	Transformerless		
Standard Compliance (more available upon request)			
Certificate	UL 1741, UL 1699B, UL 1741 SA, CSA C22.2 #107.1-01, FCC Part 15		
Grid Code	IEEE 1547, IEEE 1547a		



The text and figures reflect the current technical state at the time of printing. Subject to technical changes. Errors and omissions excepted. Huawei assumes no liability for mistakes or printing errors. For more information, please visit solar.huawei.com. Version No.:01-(2018)08