

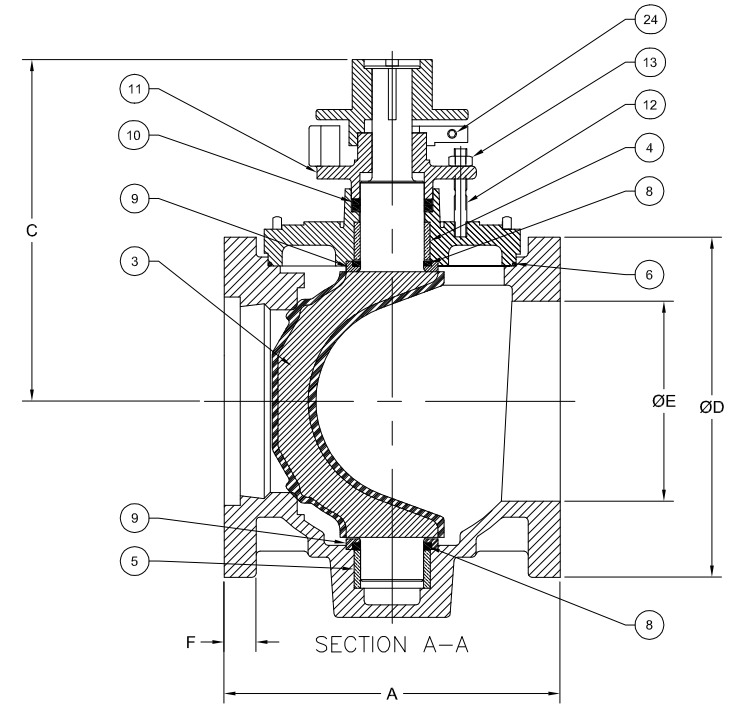
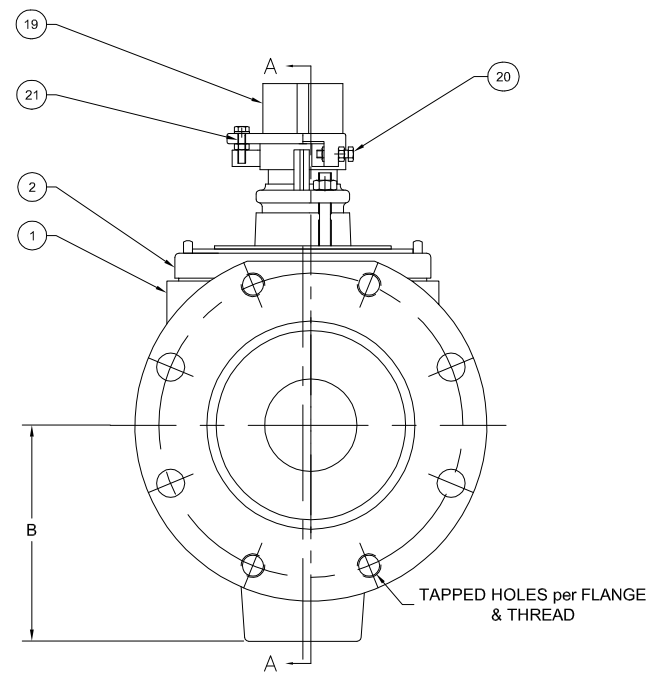
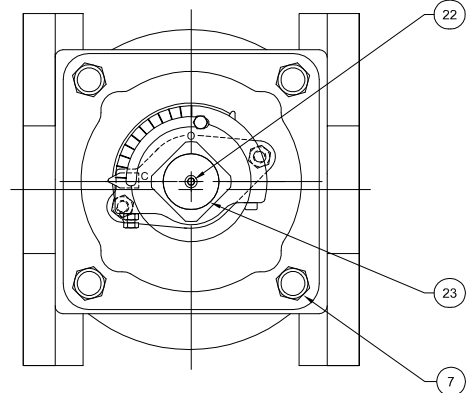
Valve Size	DIMENSIONS														APPROX. WEIGHT	
	A		B		C		ØD		ØE		F		TAPPED HOLES/FLANGE & THREAD	LB	KG	
	IN	MM	IN	MM	IN	MM	IN	MM	IN	MM	IN	MM	IN			
3"	8.00	203	4.56	116	8.88	226	7.50	191	3.19	81	0.75	19	-	46	21	
4"	9.00	229	5.94	151	9.94	253	9.00	229	4.25	108	0.94	24	2x 5/8-11UNC	83	38	
6"	10.50	267	6.75	171	10.69	271	11.00	279	6.25	159	1.00	25	2x 3/4-10UNC	125	57	
8"	11.50	292	9.38	238	14.00	356	13.50	343	8.25	210	1.12	28	4x 3/4-10UNC	229	104	

**NOTES:**

1. FLANGE DRILLING PER ANSI B16.1 / CL125
2. IN COMPLIANCE WITH AWWA C517
3. COLD WORKING PRESSURE: 175 PSI
4. HYDROSTATIC TEST PRESSURE: 265 PSI

PARTS LIST	
NO.	Description
1	Body
2	Cover
3	Plug
4	Cover Bearing
5	Body Bearing
6	Cover O-Ring
7	Cover Bolts
8	Grit Excluder Seal
9	Thrust Bearing
10	Packing
11	Gland
12	Gland Studs
13	Gland Nuts
14	Key
19	Torque Collar
20	Closing Limit Screw
21	Opening Limit Screw
22	Collar Screw
23	Collar Washer
24	Torque Adjuster

SEAT  
END



**GA INDUSTRIES, LLC**  
 3" - 8" ECOCENTRIC PLUG VALVE w/ ADJUSTABLE PACKING  
 & WRENCH OPERATED TORQUE COLLAR (WOTC)  
 ANSI 125 LB FLANGES

DIMENSIONS IN INCHES  
 STANDARD TOLERANCES: FRACTIONAL DIMENSIONS: ±0.005 (100%); DECIMAL DIMENSIONS: ±0.005 (100%)  
 CASTING STOCK FINISH: (UNLESS OTHERWISE NOTED)  
 1.10 ± 0.010  
 0.10 ± 0.005  
 0.010 ± 0.001  
 12 ANGLES ± 0.04  
 RADIUS ± 0.01  
 DRAFTER: JT  
 CHECKED: JT  
 DATE: 01-17-2014

SERIAL NO.	DRAWN BY
FIG. NUMBER	APPR. BY
DATE	SCALE
PROPERTY OF GA INDUSTRIES, LLC	
REFERENCES	DRAWING NO.
FILE	REV.
PL	A

REV.	DESCRIPTION	DATE	BY
A	REVISE VIEWS	11-17-2104	BRF

J:\Autocad\Plug\PL-2002-A.dwg