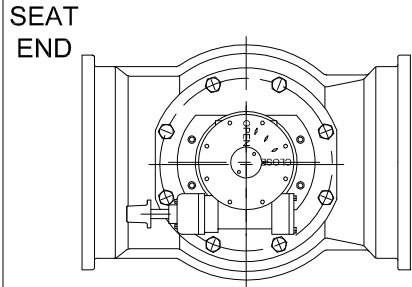
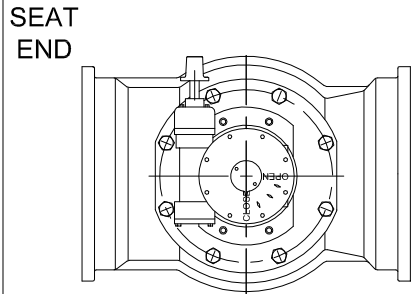


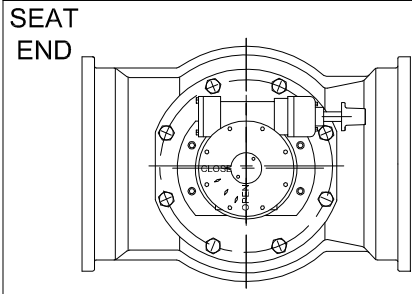
POSITION A - STANDARD



POSITION B



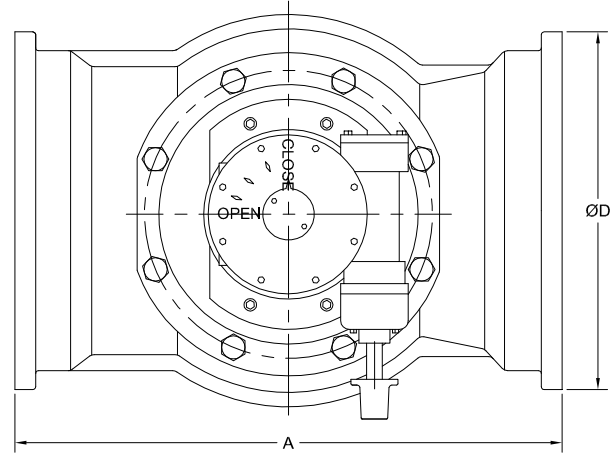
POSITION C



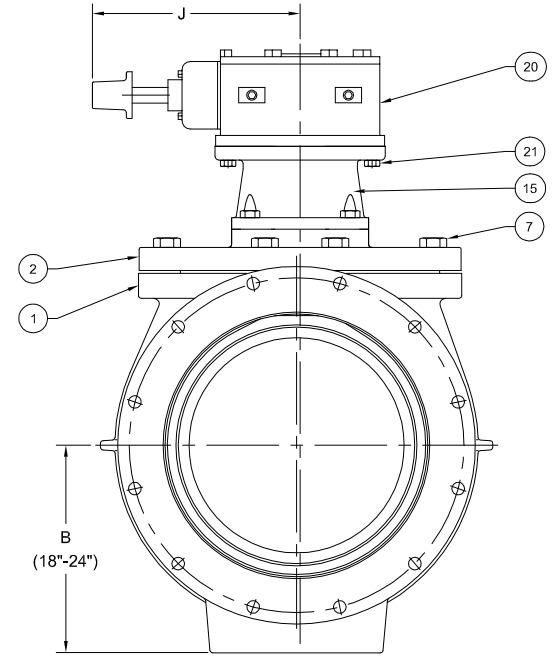
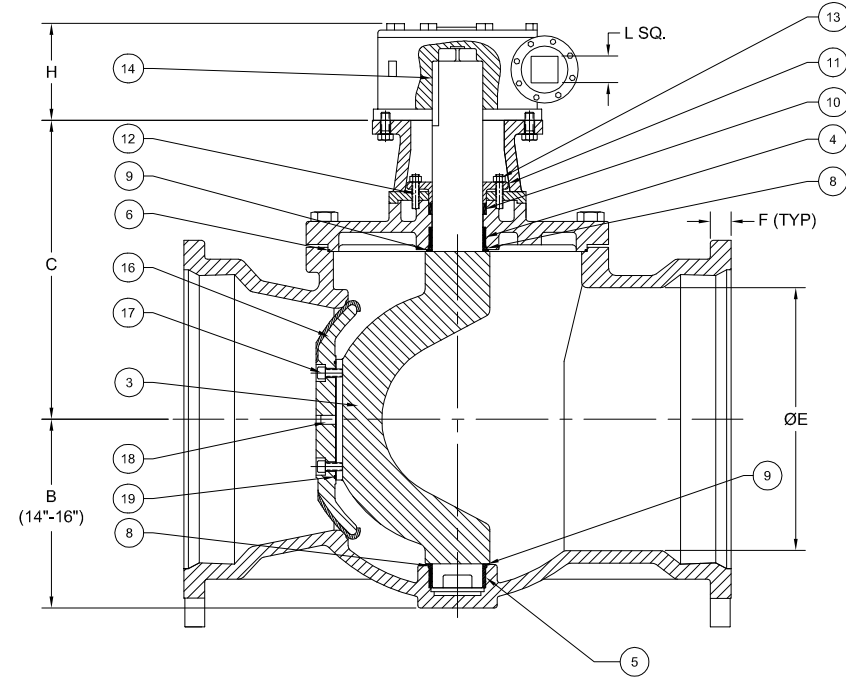
POSITION D

OPTIONAL ACTUATOR POSITIONS  
CUSTOMER TO SPECIFY POSITION WITH ORDER  
POSITION "A" SHOWN IN MAIN VIEW  
POSITION "A" IS STANDARD

Valve Size	DIMENSIONS																			
	A		B		C		ØD		ØE		F		H		J		L SQ.		APPROX. WEIGHT	
	IN	MM	IN	MM	IN	MM	IN	MM	IN	MM	IN	MM	IN	MM	IN	MM	IN	MM	LB	KG
14"	25.00	635	10.88	276	19.05	592	20.31	516	13.97	355	1.31	33.3	6.50	164	16.38	416	2.0	52	827	375.1
16"	29.02	737	13.00	330	20.85	638	22.56	573	16.13	410	1.38	35.1	6.50	164	16.38	416	2.0	52	1106	501.7
18"	37.99	965	13.88	334	20.85	638	24.83	631	18.00	457	1.44	36.6	6.50	164	16.38	416	2.0	52	1417	642.7
20"	44.00	1118	15.75	400	22.75	686	27.08	688	20.06	510	1.50	38.1	6.50	164	16.38	416	2.0	52	2095	950.3
24"	47.99	1219	16.75	400	22.75	686	31.58	802	24.22	615	1.62	41.1	6.50	164	16.38	416	2.0	52	2220	1007



NOTES:  
1. FLANGE DRILLING PER ANSI B16.1 / CL125  
2. IN COMPLIANCE WITH AWWA C517  
3. COLD WORKING PRESSURE: 150 PSI  
4. HYDROSTATIC TEST PRESSURE: 225 PSI



PARTS LIST	
NO.	Description
1	Body
2	Cover
3	Shaft
4	Cover Bearing
5	Body Bearing
6	Cover O-Ring
7	Cover Bolts
8	Grit Excluder Seal
9	Thrust Bearing
10	Packing
11	Gland
12	Gland Studs
13	Gland Nuts
14	Key
15	Mounting Bracket
16	Plug
17	Plug Screws
18	Plug Pin
19	Plug O-Ring
20	Worm Gear Actuator
21	Actuator Bolts

REV.	DESCRIPTION	DATE	BY

DIMENSIONS IN INCHES  
STANDARD TOLERANCES:  
(UNLESS OTHERWISE NOTED)  
X .01  
XX ± .01  
XXX ± .005  
FRACTIONS ± .0104  
ANGLES ± .04°  
DRAUGHTS 2:1 MAX.  
REPLACEMENT FOR FORMER LOGO FLANGES REQUIRED FOR BURN

**GA INDUSTRIES, LLC**  
14" - 24" ECOCENTRIC PLUG VALVE w/ ADJUSTABLE PACKING & BURRIED SERVICE WORM GEAR ACTUATOR w/ SQUARE NUT MECHANICAL JOINT FLANGES

SERIAL NO.	FIG. NUMBER	B517	DRAWN BY	BRF
DATE	10-24-2014	APPR. BY	JT	SCALE
PROPERTY OF GA INDUSTRIES, LLC				
REFERENCES	FILE	DRAWING NO.	REV.	
PL-1005 / PL-2001	PL	PL-2012		

J:\AutoCAD\Plug\PL-Show\PL-2012.dwg