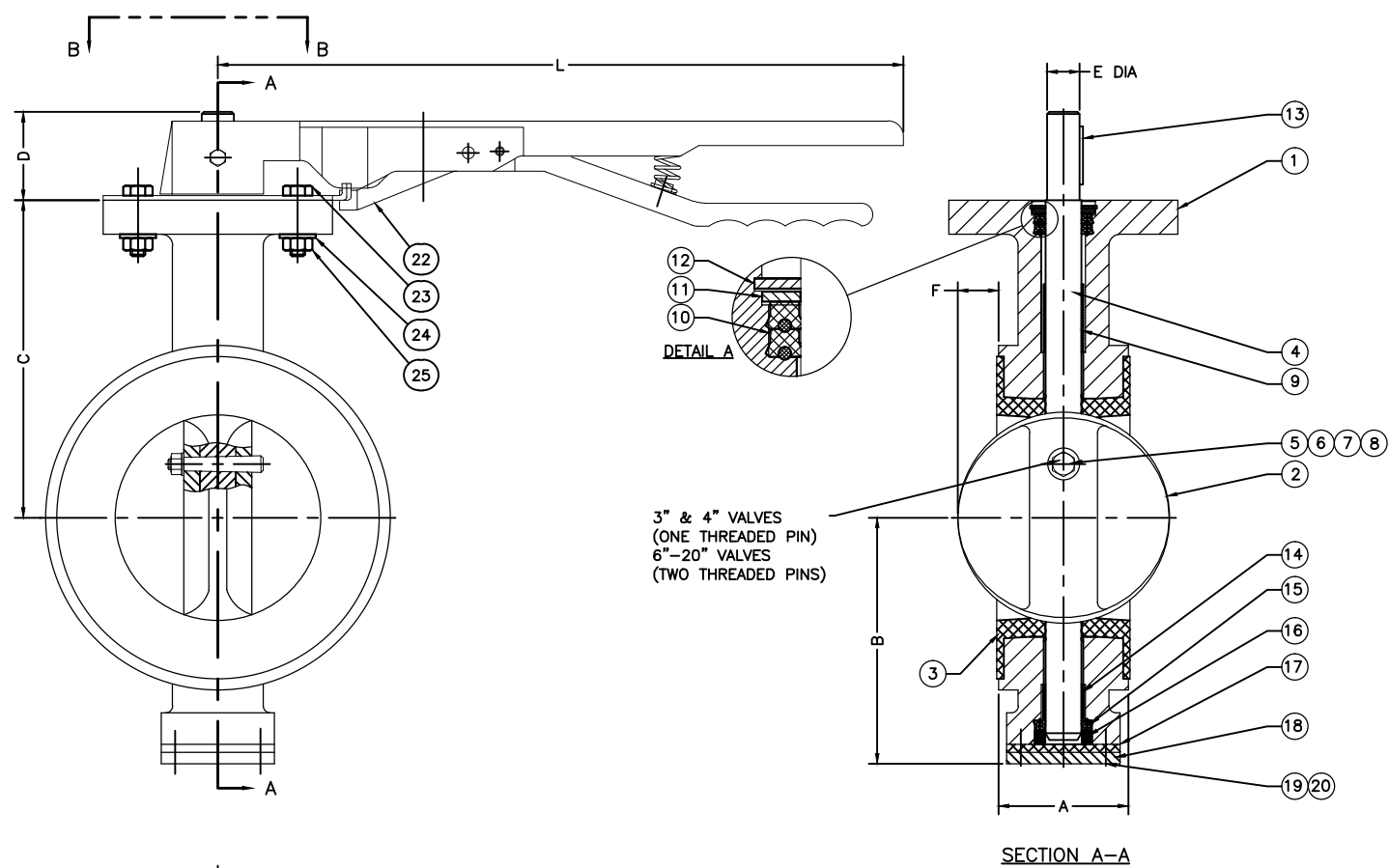


PARTS LIST	
NO.	NAME
1	BODY
2	DISC
3	SEAT
4	SHAFT
5	TAPER PIN
6	NUT
7	WASHER
8	SEAL
9	UPPER BEARING
10	UPPER SHAFT PACKING
11	UPPER PACKING WASHER
12	RETAINER
13	KEY
14	LOWER BEARING
15	LOWER SHAFT PACKING
16	LOWER PACKING WASHER
17	GASKET
18	BOTTOM COVER
19	CAP SCREW
20	WASHER
22	LEVER
23	LEVER SCREWS
24	LEVER WASHERS
25	LEVER NUTS



3" & 4" VALVES  
(ONE THREADED PIN)  
6"-20" VALVES  
(TWO THREADED PINS)

TECHNICAL REQUIREMENTS:  
 1. DESIGN STANDARD, AWWA C504  
 2. DIMENSIONS IN INCHES, WEIGHT IN POUNDS,  
 DOES NOT INCLUDE ACTUATOR.  
 3. WORKING PRESSURE 150 PSI  
 4. SHAFT DIAMETER AND BODY WALL THICKNESS  
 PER AWWA C504.

**GA INDUSTRIES, LLC.**

3"-8" WAFER TYPE BUTTERFLY VALVE  
W/LEVER

SERIAL NO.	SCALE	DRAWN BY HGM	
	N.T.S.	APPR. BY JT	
REFERENCES	EFFECTIVE DATE	FIG. NUMBER	DRAWING NO.
	10-02-2009 TO	804	BF-1014
	FILE		REV.
	BF		

SIZE	A	B	C	D	ØE	F (TYP.)	L	MTG.	WGT.
8"	3.00	6.25	7.88	2.05	1.125	2.50	17.72	FA12	47
6"	2.75	5.13	6.50	2.05	1.125	1.62	17.72	FA12	28
4"	2.25	4.25	5.50	1.54	0.625	.875	10.25	FA07	18
3"	2.00	3.50	4.75	1.54	0.563	.50	10.25	FA07	12

VIEW B-B

REV.	DESCRIPTION	DATE	BY

J:\BUTTERFLY\BF-SHOW\BF-1014.DWG