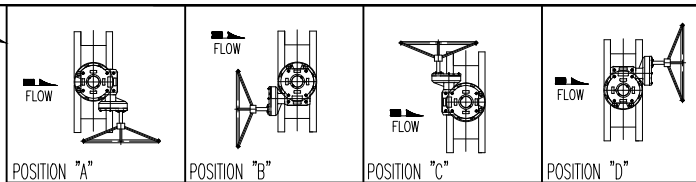
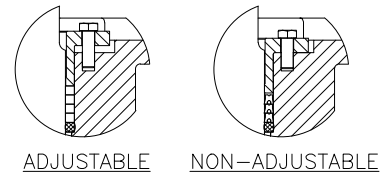
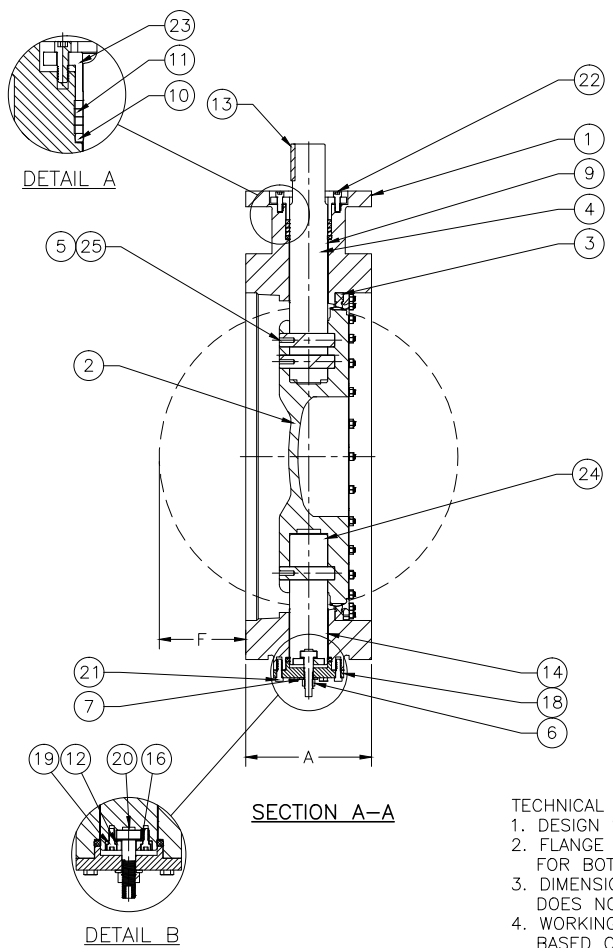
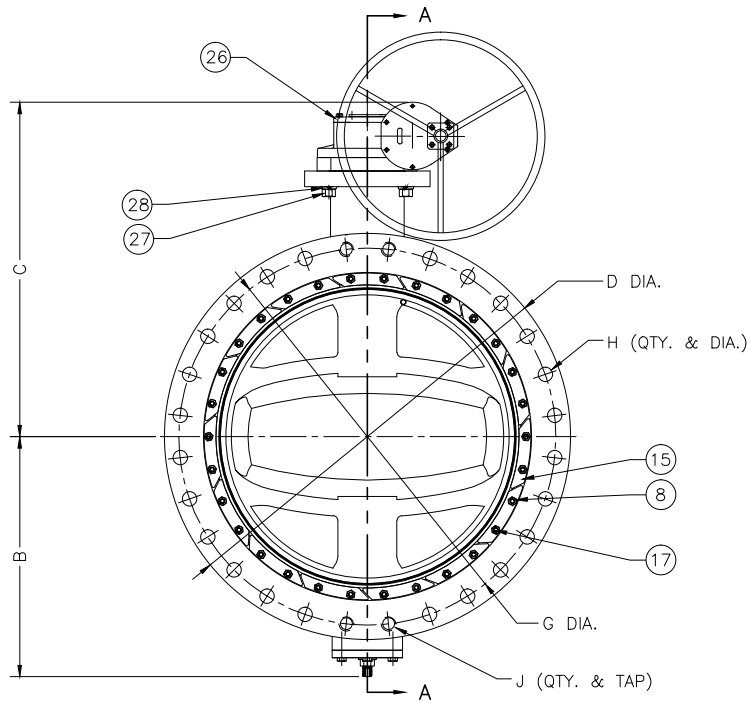
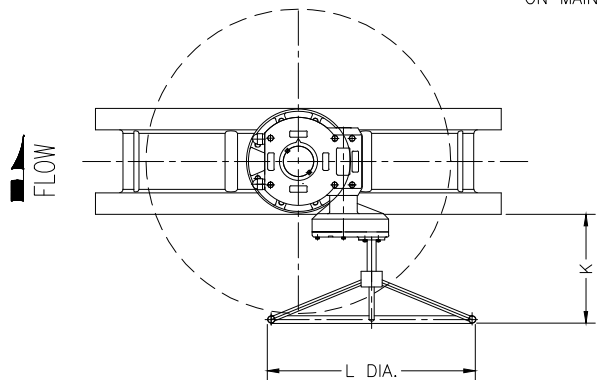


REV.	DESCRIPTION	DATE	BY
A	ADDED NO.2 IN NOTE & POSITION NOTE.	5-03-2011	RJT

OPTIONAL ACTUATOR POSITIONS;
CUSTOMER TO SPECIFY POSITION
w/ORDER; POSITION "B" SHOWN
ON MAIN VIEW.



PARTS LIST	
NO.	NAME
1	BODY
2	DISC
3	SEAT
4	UPPER SHAFT
5	PIN
6	NUT
7	WASHER
8	GLAND NUT
9	UPPER BEARING
10	O-RING
11	PACKING/U-CUP
12	THRUST ADJUSTMENT RETAINER
13	KEY
14	LOWER BEARING
15	SEAT COMPRESSION WASHER
16	THRUST ADJUSTER WASHER
17	GLAND STUD
18	END PLATE
19	CAP SCREW
20	THRUST ADJUSTER
21	CAP SCREWS
22	CAP SCREWS
23	PACKING GLAND
24	LOWER SHAFT
25	SET SCREWS
26	TRAVELING NUT ACTUATOR
27	ACTUATOR SCREWS
28	ACTUATOR WASHERS



- TECHNICAL REQUIREMENTS:
- DESIGN STANDARD, AWWA C504
 - FLANGE DRILLING PER ANSI B16.1 CLASS 125 FOR BOTH CLASS 150B AND 250B VALVES.
 - DIMENSIONS IN INCHES, WEIGHT IN POUNDS. DOES NOT INCLUDE ACTUATOR.
 - WORKING PRESSURE 150 PSI OR 250 PSI BASED ON CLASS.
 - SHAFT DIAMETER AND BODY WALL THICKNESS PER AWWA C504.

SIZE	A	B	C	ØD	F	ØG	H	J	K	ØL	WGT.
72"	18	49.63	67.50	86.50	26.00	82.50	(52) #2	(8) 1 3/4-5	18.56	24.00	10710
66"	18	46.09	63.44	80.00	23.09	76.00	(44) #2	(8) 1 3/4-5	18.56	24.00	8680
60"	15	41.59	56.31	73.03	21.31	69.25	(44) #2	(8) 1 3/4-5	17.07	24.00	6845
54"	15	38.81	53.19	66.25	18.25	62.75	(36) #2	(8) 1 3/4-5	17.07	24.00	5410
48"	15	34.88	41.72	59.50	16.50	56.00	(36) #1 5/8	(8) 1 1/2-6	11.67	23.63	4676
42"	12	29.68	37.94	53.00	15.00	49.50	(30) #1 5/8	(6) 1 1/2-6	13.17	23.63	3476
36"	12	26.63	35.31	46.00	12.00	42.75	(28) #1 5/8	(4) 1 1/2-6	11.36	23.63	2071
30"	12	22.91	31.91	38.75	9.00	36.00	(24) #1 3/8	(4) 1 1/4-7	11.36	23.63	1821

GA INDUSTRIES, LLC.

30"-72" ANSI FLANGED BUTTERFLY VALVE
W/ABOVE GROUND WORM GEAR ACTUATOR

STANDARD TOLERANCES (UNLESS OTHERWISE NOTED) FINISHED SURFACES ONLY DIMENSIONS SHOWN IN INCHES ±.001 ±.002 FRACTIONS ±1/64" ANGLES ±1° FINISH: XX-XX RMS	SERIAL NO.	SCALE N.T.S.	DRAWN BY RJT	
	REFERENCES	EFFECTIVE DATE 01-15-2010 TO	APPR. BY JT	
	FIG. NUMBER 804	FILE BF	DRAWING NO. BF-1022	REV. A

J:\BUTTERFLY\BF-SHOW\BF-1022-A.DWG